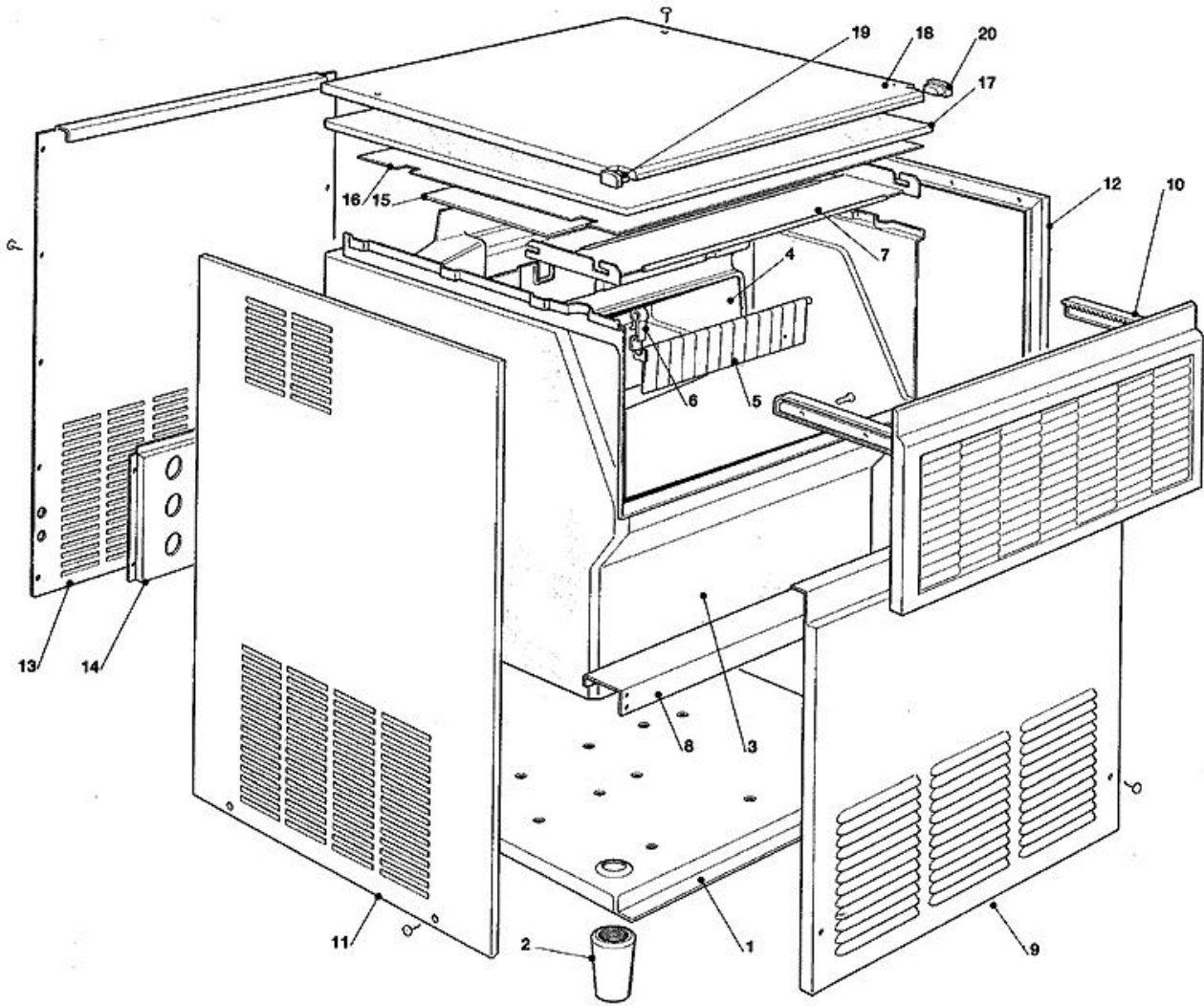
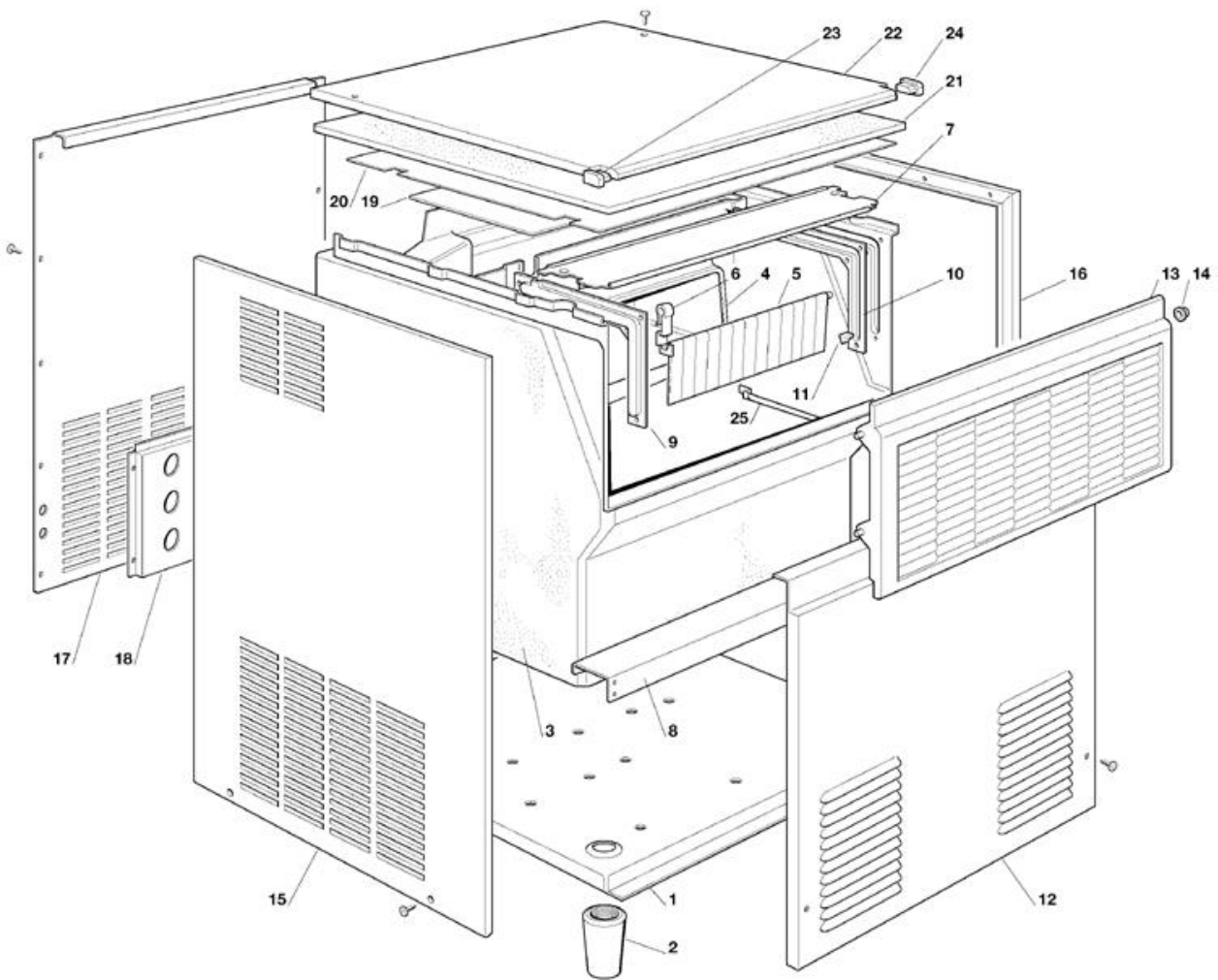


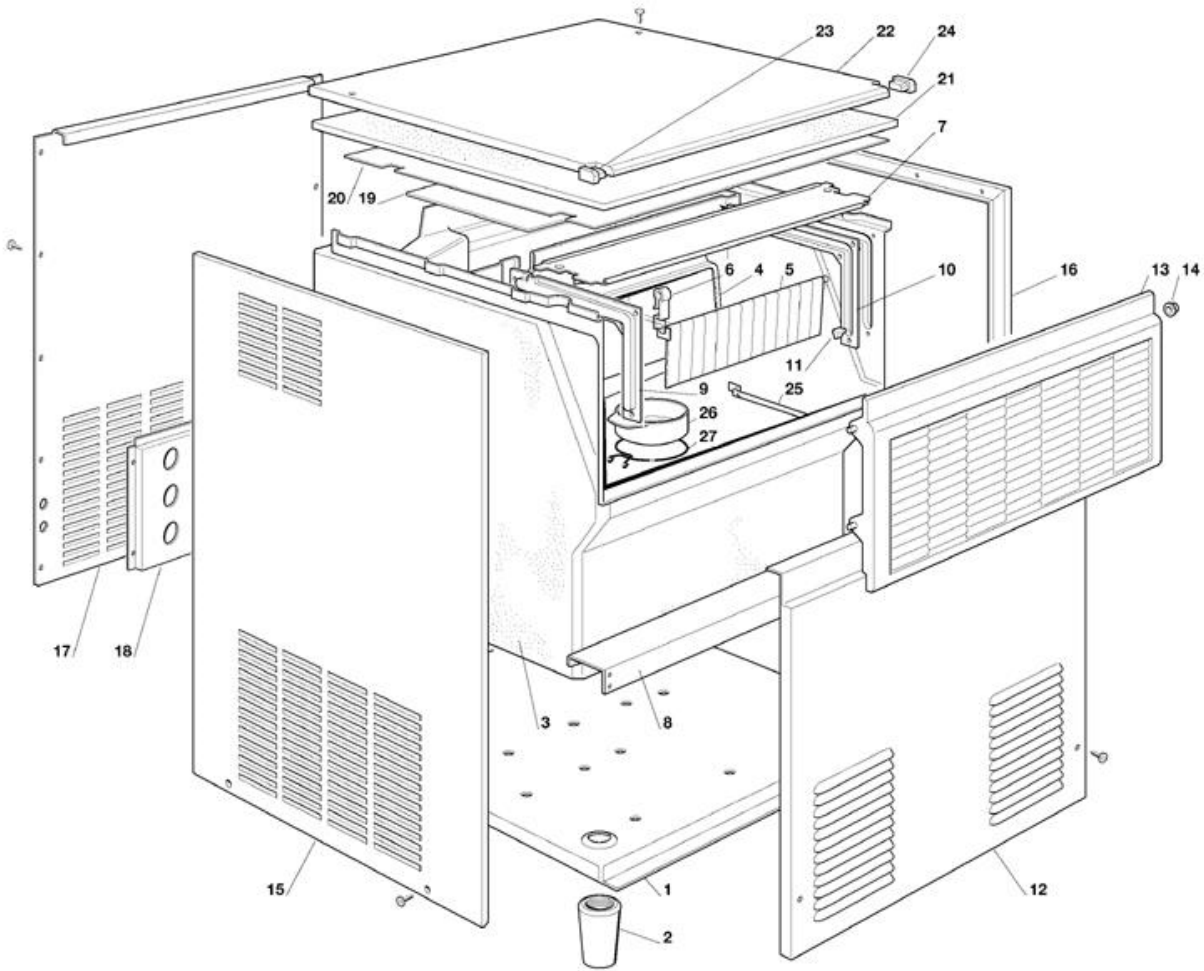
- 1 UNIT PANELS 40 - UP TO S.N. 5971
- 2 UNIT PANELS - FROM S.N. 5972 TO S.N. 6223
- 3 UNIT PANELS - FROM S.N. 6224
- 4 AIR COOLED (up to S.N. 5384)
- 5 REFRIGERANT SYSTEM AIR COOLED - FROM S.N. 05385 UPTO S.N. 09774
- 6 REFRIGERANT SYSTEM AIR COOLED - FROM S.N. 09775
- 7 WATER COOLED (up to S.N. 5384)
- 8 REFRIGERANT SYSTEM WATER COOLED - FROM S.N. 5385 TO S.N. 7332
- 9 REFRIGERANT SYSTEM WATER COOLED - FROM S.N. 07333 UPTO S.N. 09774
- 10 REFRIGERANT SYSTEM WATER COOLED - FROM S.N. 09775
- 11 WATER SYSTEM - UP TO S.N. 7729
- 12 WATER SYSTEM - FROM S.N. 7730
- 13 CONTROL BOX



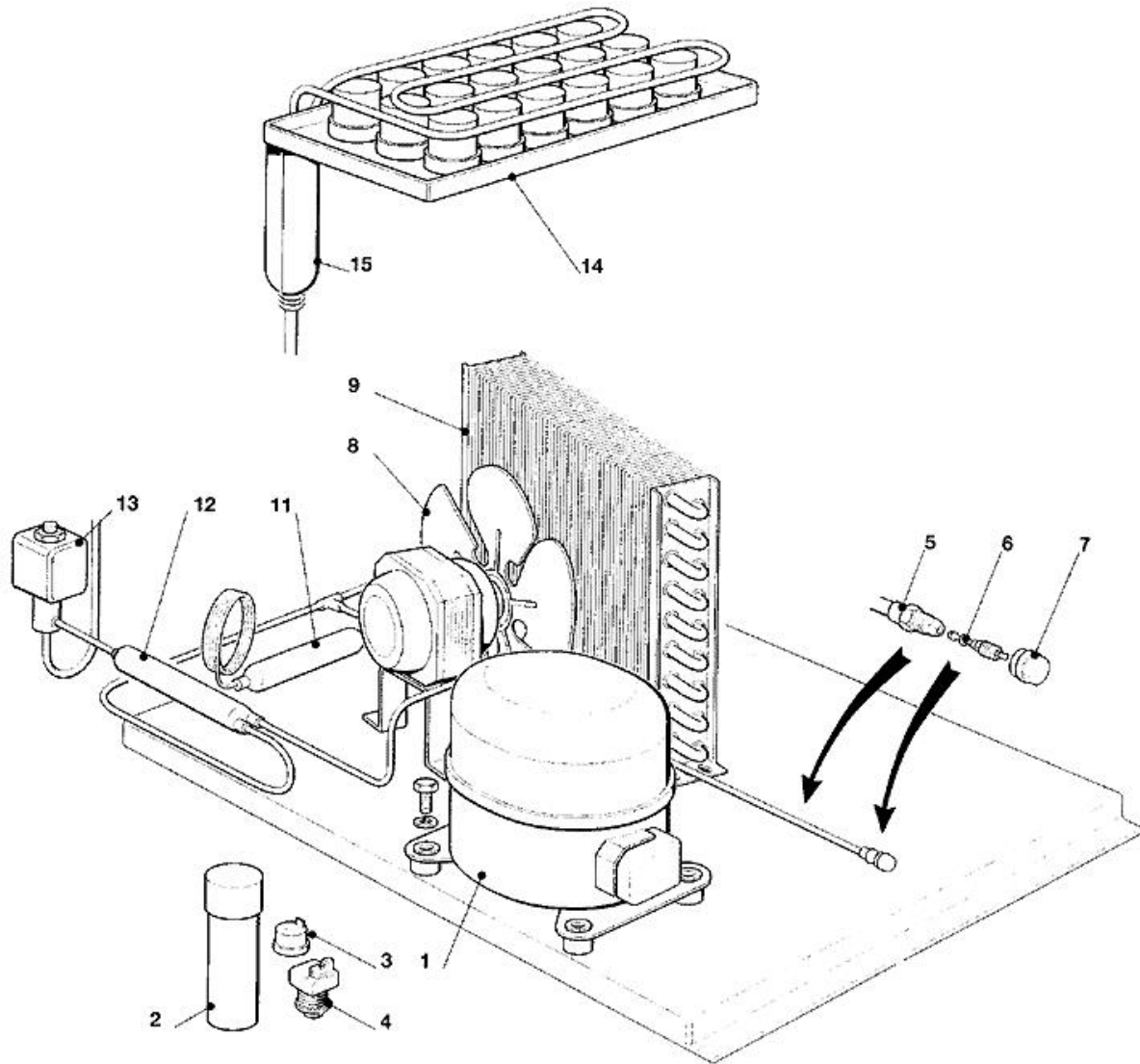
Pos	Code	Description
0001	SC781406 01R	BASE ASSY
0002	SC660638 00	LEG
0003	SC782086 04R	NO LONGER AVAILABLE
0004	SC060635 00	EVAP. HOUSING KIT
0005	SC784457 00R	CURTAIN
0006	SC660388 00	CURTAIN BRACKET (RIGHT)
0007	SC721679 01	SPACER
0008	SC702128 01	S.S. METAL PLATE
0009	SC721635 03	FRONT PANEL
0010	SC660616 00	RACK
0010	SC782100 19R	BIN DOOR ASSY
0011	SC721637 02	PANEL, LEFT SIDE
0012	SC721636 02	NO LONGER AVAILABLE
0013	SC702199 00	REAR PANEL
0014	SC702180 00	BRACKET
0015	SC784378 04R	INSULATION ASSY
0016	SC660541 00	STORAGE BIN COVER
0017	SC650236 21	UPPER INSULATION
0018	SC722435 00	TOP PANEL
0019	SC660528 01	TOP CAP
0020	SC660528 00	TOP CAP



Pos	Code	Description
0001	SC781406 01	UNIT BASE
0002	SC660638 00	LEG
0003	SC782086 12R	STORAGE BIN ASSY
0004	SC060635 00	EVAP. HOUSING KIT
0005	SC784457 00R	CURTAIN
0006	SC660388 01	CURTAIN BRACKET (LEFT)
0007	SC724399 00	METAL BRACKET
0008	SC702128 01	S.S. METAL PLATE
0009	SC660801 01	DOOR GUIDE LEFT
0010	SC660801 00	DOOR GUIDE RIGHT
0011	SC660816 00	SHOCK ABSORBER
0012	SC721983 00	FRONT PANEL
0013	SC782102 06R	DOOR ASSY
0014	SC660286 00	BUSHING
0015	SC721982 00	PANEL - LEFT SIDE
0016	SC721981 00	PANEL - RIGHT SIDE
0017	SC702199 00	REAR PANEL
0018	SC702180 00	BRACKET
0019	SC784378 04R	INSULATION ASSY
0020	SC660541 00	STORAGE BIN COVER
0021	SC650903 00	UPPER INSULATION
0022	SC722435 00	TOP PANEL
0023	SC660528 01	TOP CAP
0024	SC660528 00	TOP CAP
0025	SC732017 00	BULB HOLDER

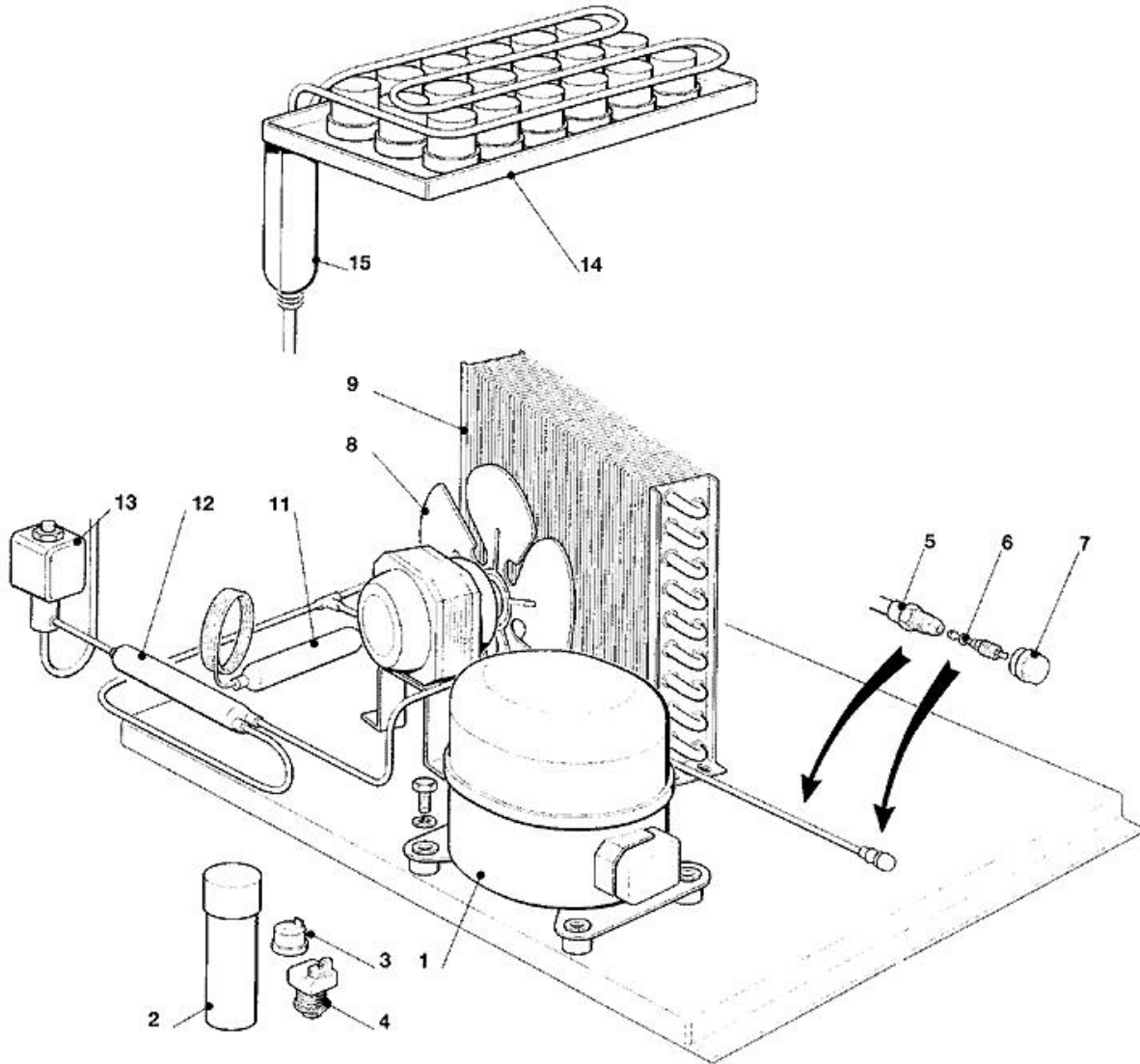


Pos	Code	Description
0001	SC781406 01	UNIT BASE
0002	SC660638 00	LEG
0003	SC782086 12R	STORAGE BIN ASSY
0004	SC660852 00	EVAPORATOR HOUSING
0005	SC784457 00R	CURTAIN
0006	SC660388 01	CURTAIN BRACKET (LEFT)
0007	SC724399 00	METAL BRACKET
0008	SC702128 01	S.S. METAL PLATE
0009	SC660801 01	DOOR GUIDE LEFT
0010	SC660801 00	DOOR GUIDE RIGHT
0011	SC660816 00	SHOCK ABSORBER
0012	SC721983 00	FRONT PANEL
0013	SC782102 06R	DOOR ASSY
0014	SC660286 00	BUSHING
0015	SC721982 00	PANEL - LEFT SIDE
0016	SC721981 00	PANEL - RIGHT SIDE
0017	SC702199 00	REAR PANEL
0018	SC702180 00	BRACKET
0019	SC784378 04R	INSULATION ASSY
0020	SC660541 00	STORAGE BIN COVER
0021	SC650903 00	UPPER INSULATION
0022	SC722435 00	TOP PANEL
0023	SC660528 01	TOP CAP
0024	SC660528 00	TOP CAP
0025	SC732017 00	BULB HOLDER
0026	SC660741 00	PLASTIC PLUG
0027	SC460047 00	SPRING

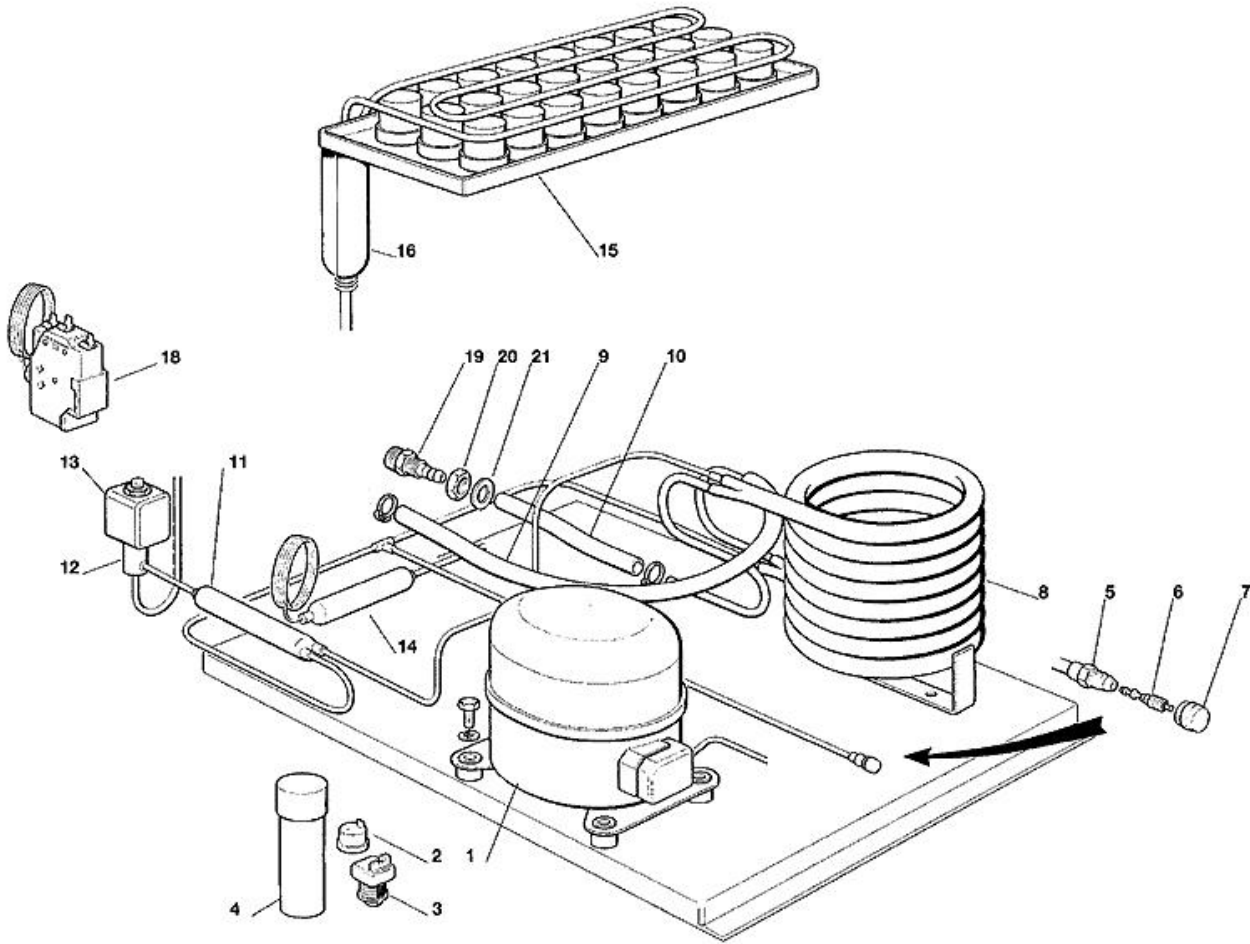


Pos	Code	Description
0001	SC670106 06	COMPRESSOR - 230/50/1
0001	SC670106 12	COMPRESSOR 230/60
0002	SC620167 01	START CAPACITOR 64-77 MFD/330V
0003	SC620058 71	PROTECTOR - 230/50 - TECUMSEH CAE 4448 Y
0003	SC620058 80	PROTECTOR 230/60
0004	SC620057 42	RELAY - 230/50-60/1 - TECUMSEH CAE 4448 Y
0004	SC620057 49	RELAY - 230/60
0005	SC650109 00	VALVE BODY
0006	SC670012 00	VALVE CORE
0007	SC650106 00	CAP
0008	SC620419 02	FAN MOTOR - 230/50-60
0008	SC620419 33	BLADE
0009	SC620439 00	CONDENSER
0011	SC630003 05	DRIER
0012	SC630020 01	STRAINER
0013	SC620306 27	HOT GAS VALVE BODY
0013	SC620306 48	COIL - 230/50-60
0014	SC784415 00	EVAPORATOR ASSY - LARGE
0014	SC784540 01	EVAPORATOR ASSY - MEDIUM
0015	SC784444 04	SUCTION LINE

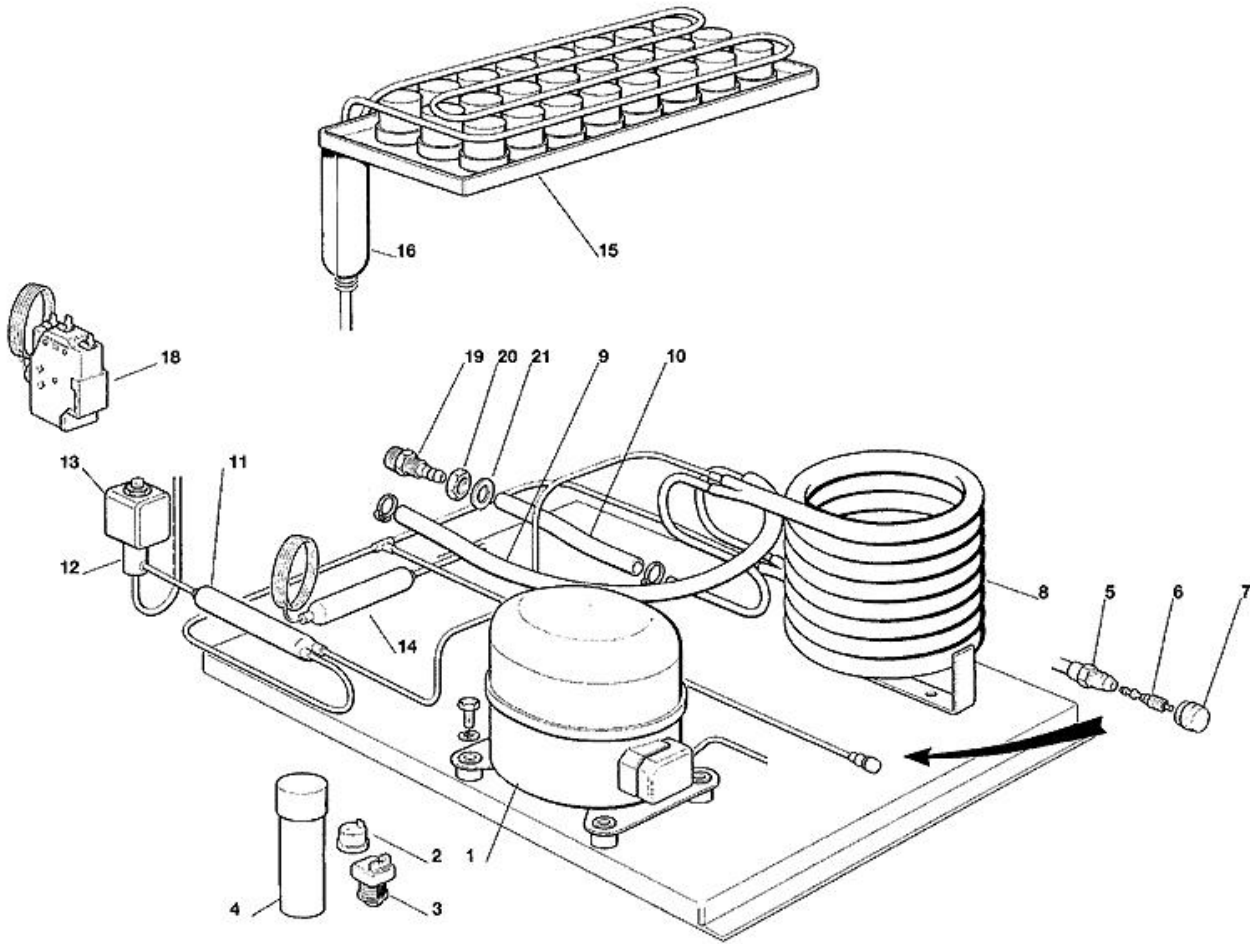
Pos	Code	Description
0001	SC670100 01	COMPRESSOR - 230/50/1
0001	SC670100 08	COMPRESSOR CUBIGEL - 230/60/1
0002	SCCUB 102661	START CAPACITOR - 230/50
0003	SCCUB 102190	PROTECTOR - 230/50/1
0003	SCCUB 102200	PROTECTOR - 230/60/1
0004	SCCUB 405177	RELAY - 230/50/1
0004	SCCUB 405178	RELAY - 230/60/1
0005	SC650109 00	VALVE BODY
0006	SC670012 00	VALVE CORE
0007	SC650106 00	CAP
0008	SC620419 02	FAN MOTOR - 230/50-60
0008	SC620419 33	BLADE
0009	SC620439 00	CONDENSER
0011	SC630003 05	DRIER
0012	SC630020 01	STRAINER
0013	SC620306 27	HOT GAS VALVE BODY
0013	SC620306 48	COIL - 230/50-60
0014	SC784415 00	EVAPORATOR ASSY - LARGE
0014	SC784540 01	EVAPORATOR ASSY - MEDIUM
0015	SC784444 04	SUCTION LINE



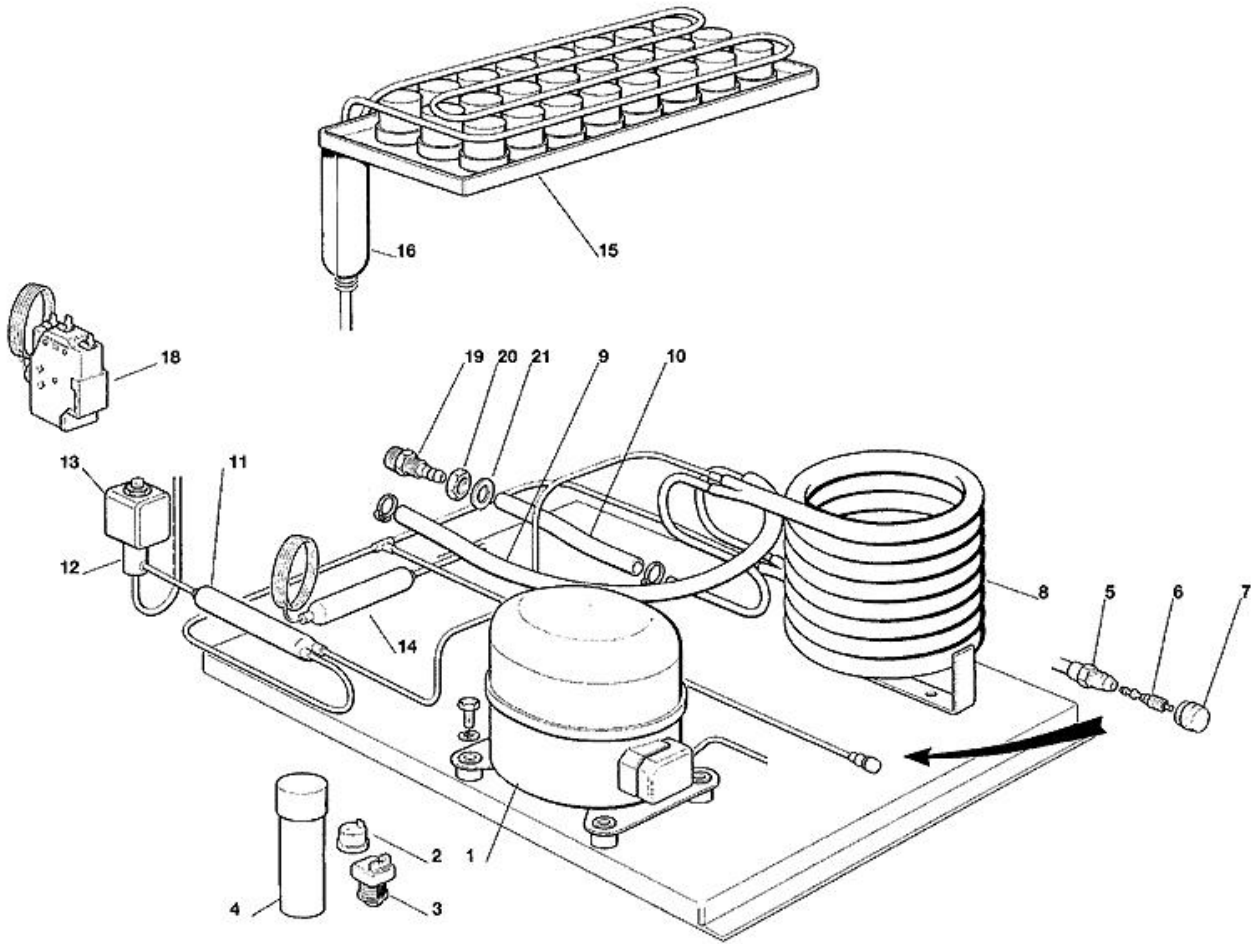
Pos	Code	Description
0001	SC670100 08	COMPRESSOR CUBIGEL - 230/60/1
0001	SC670105 05	COMPRESSOR - 230/50/1
0002	SCCUB 102661	START CAPACITOR - 230/50
0002	SCEMB 2252345	CAPACITOR - 230/50/1
0003	SCCUB 102200	PROTECTOR - 230/60/1
0003	SCEMB 2319079	PROTECTOR - 230/50/1
0004	SCCUB 405178	RELAY - 230/60/1
0004	SCEMB 2334112	RELAY - MTRP0012-65
0005	SC650109 00	VALVE BODY
0006	SC670012 00	VALVE CORE
0007	SC650106 00	CAP
0008	SC620419 02	FAN MOTOR - 230/50-60
0008	SC620419 33	BLADE
0009	SC620439 00	CONDENSER
0011	SC630003 05	DRIER
0012	SC630020 01	STRAINER
0013	SC620306 27	HOT GAS VALVE BODY
0013	SC620306 48	COIL - 230/50-60
0014	SC784415 00	EVAPORATOR ASSY - LARGE
0014	SC784540 01	EVAPORATOR ASSY - MEDIUM
0015	SC784444 04	SUCTION LINE



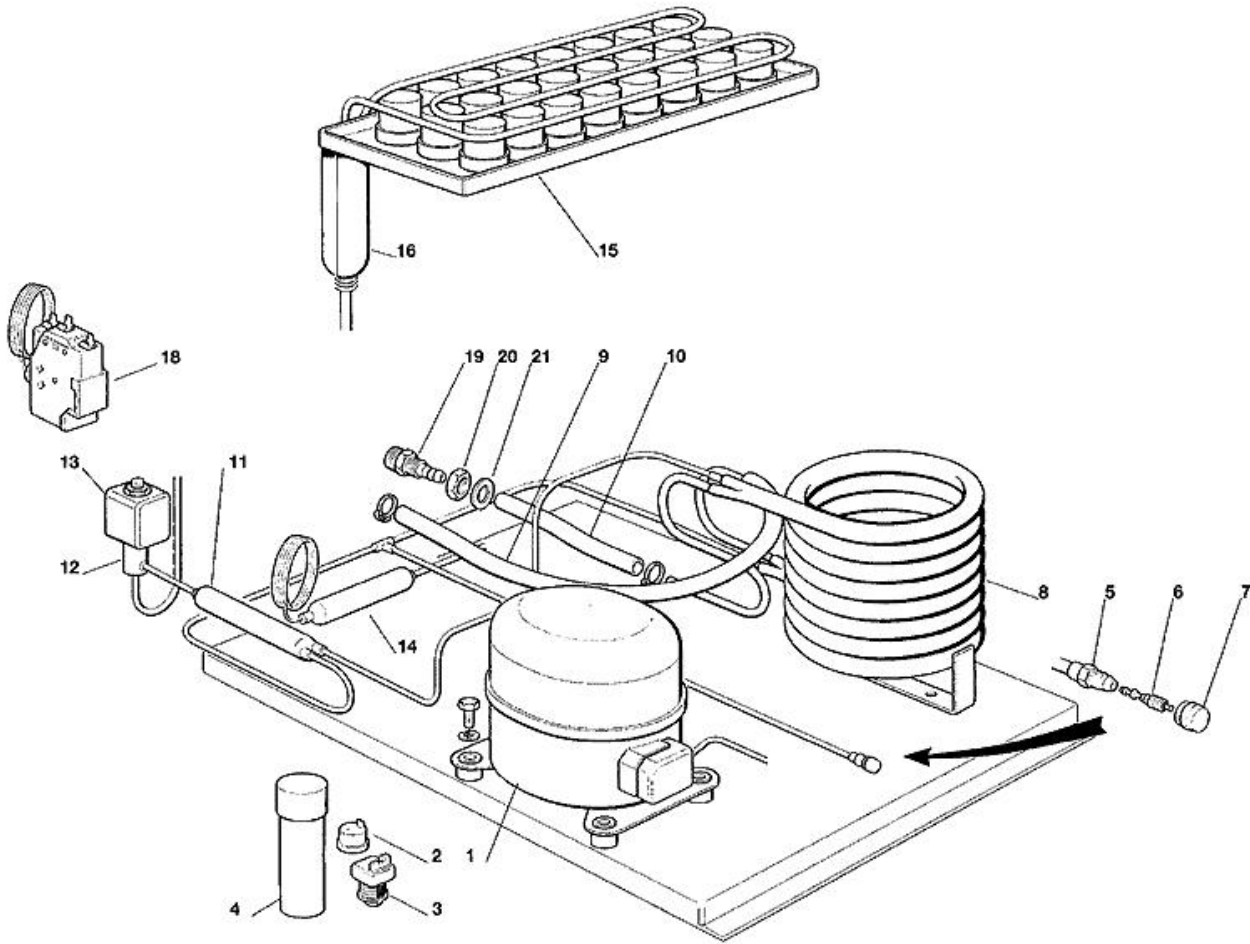
Pos	Code	Description
0001	SC670106 06	COMPRESSOR - 230/50/1
0001	SC670106 12	COMPRESSOR 230/60
0002	SC620058 71	PROTECTOR - 230/50 - TECUMSEH CAE 4448 Y
0002	SC620058 80	PROTECTOR 230/60
0003	SC620057 42	RELAY - 230/50-60/1 - TECUMSEH CAE 4448 Y
0003	SC620057 49	RELAY - 230/60
0004	SC620167 01	START CAPACITOR 64-77 MFD/330V
0005	SC650109 00	VALVE BODY
0006	SC670012 00	VALVE CORE
0007	SC650106 00	CAP
0008	SC620389 00	CONDENSER
0009	SC281900 01	TUBE 16X10
0010	SC281900 01	TUBE 16X10
0011	SC630020 01	STRAINER
0012	SC620306 27	HOT GAS VALVE BODY
0013	SC620306 48	COIL - 230/50-60
0014	SC630003 05	DRIER
0015	SC784415 00	EVAPORATOR ASSY - LARGE
0015	SC784540 01	EVAPORATOR ASSY - MEDIUM
0016	SC784444 04	SUCTION LINE
0018	SC620075 00	PRESSOSTAT
0019	SC660291 00	TEE TUBE (D13)
0020	SC400030 01	NUT
0021	SC400031 00	WASHER



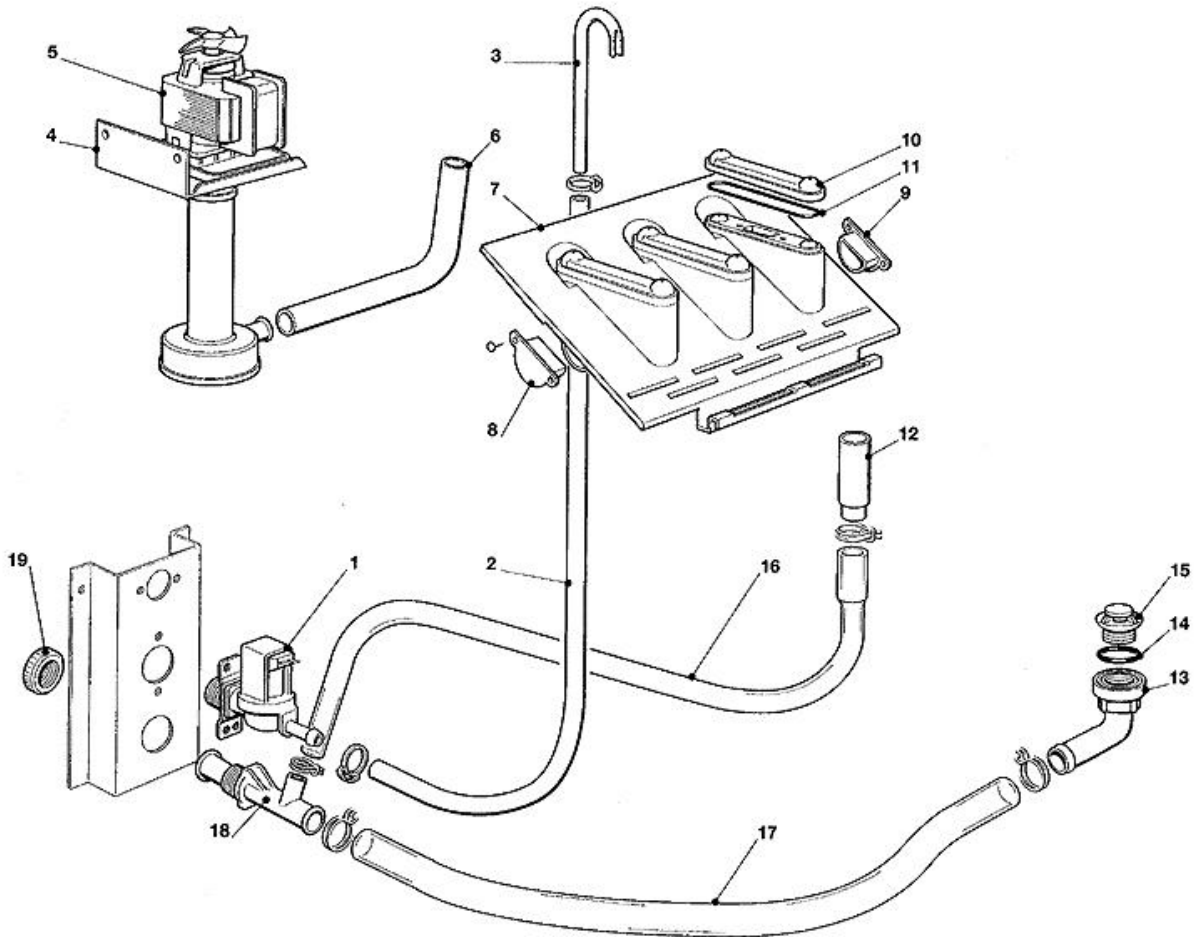
Pos	Code	Description
0001	SC670100 01	COMPRESSOR - 230/50/1
0001	SC670100 08	COMPRESSOR CUBIGEL - 230/60/1
0002	SCCUB 102661	START CAPACITOR - 230/50
0003	SCCUB 102190	PROTECTOR - 230/50/1
0003	SCCUB 102200	PROTECTOR - 230/60/1
0004	SCCUB 405177	RELAY - 230/50/1
0004	SCCUB 405178	RELAY - 230/60/1
0005	SC650109 00	VALVE BODY
0006	SC670012 00	VALVE CORE
0007	SC650106 00	CAP
0008	SC620389 00	CONDENSER
0009	SC281900 01	TUBE 16X10
0010	SC281900 01	TUBE 16X10
0011	SC630020 01	STRAINER
0012	SC620306 27	HOT GAS VALVE BODY
0013	SC620306 48	COIL - 230/50-60
0014	SC630003 05	DRIER
0015	SC784415 00	EVAPORATOR ASSY - LARGE
0015	SC784540 01	EVAPORATOR ASSY - MEDIUM
0016	SC784444 04	SUCTION LINE
0018	SC620075 00	PRESSOSTAT
0019	SC660291 00	TEE TUBE (D13)
0020	SC400030 01	NUT
0021	SC400031 00	WASHER



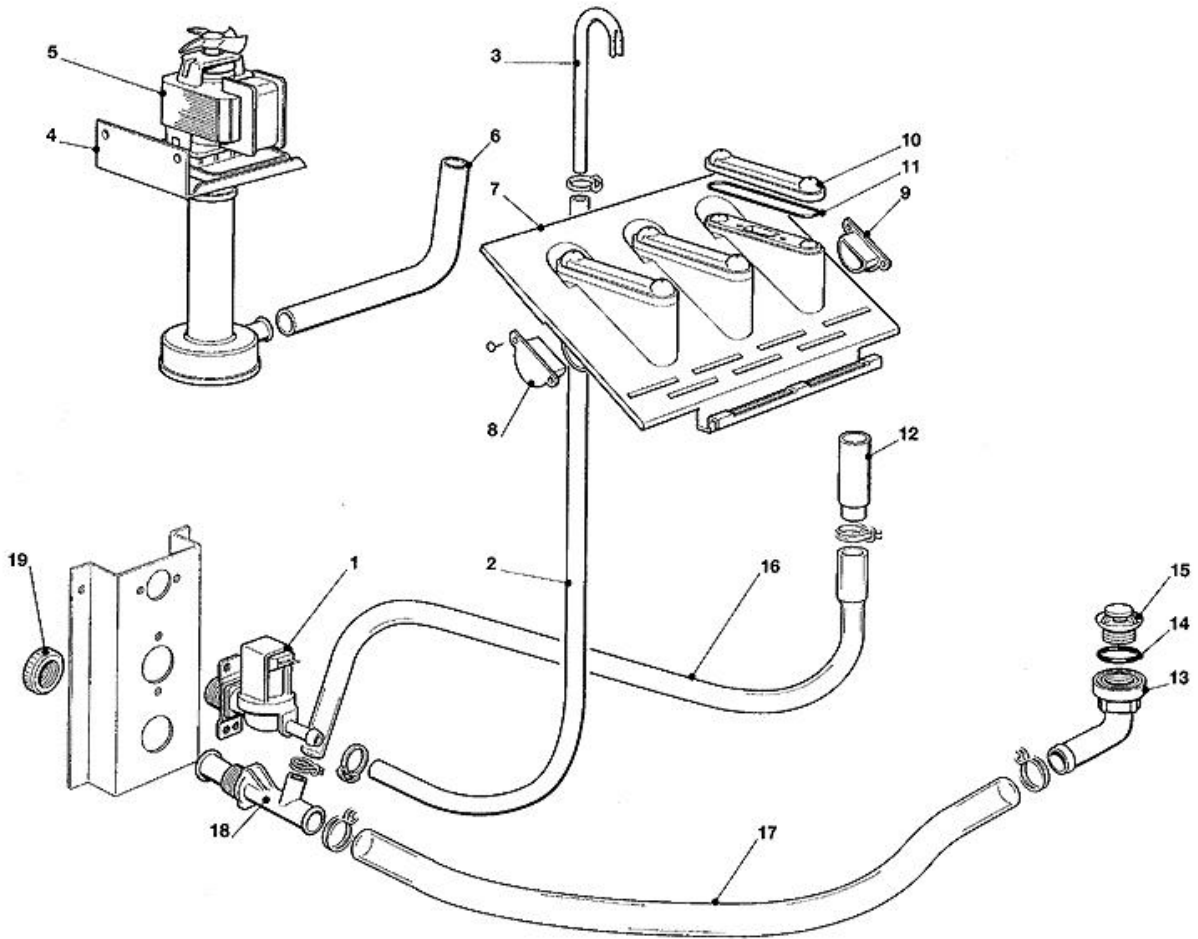
Pos	Code	Description
0001	SC670100 01	COMPRESSOR - 230/50/1
0001	SC670100 08	COMPRESSOR CUBIGEL - 230/60/1
0002	SCCUB 102661	START CAPACITOR - 230/50
0003	SCCUB 102190	PROTECTOR - 230/50/1
0003	SCCUB 102200	PROTECTOR - 230/60/1
0004	SCCUB 405177	RELAY - 230/50/1
0004	SCCUB 405178	RELAY - 230/60/1
0005	SC650109 00	VALVE BODY
0006	SC670012 00	VALVE CORE
0007	SC650106 00	CAP
0008	SC620389 00	CONDENSER
0009	SC281900 01	TUBE 16X10
0010	SC281900 01	TUBE 16X10
0011	SC630020 01	STRAINER
0012	SC620306 27	HOT GAS VALVE BODY
0013	SC620306 48	COIL - 230/50-60
0014	SC630003 05	DRIER
0015	SC784415 00	EVAPORATOR ASSY - LARGE
0015	SC784540 01	EVAPORATOR ASSY - MEDIUM
0016	SC784444 04	SUCTION LINE
0018	SC620075 00	PRESSOSTAT
0019	SC660291 00	TEE TUBE (D13)
0020	SC400030 01	NUT
0021	SC400031 00	WASHER



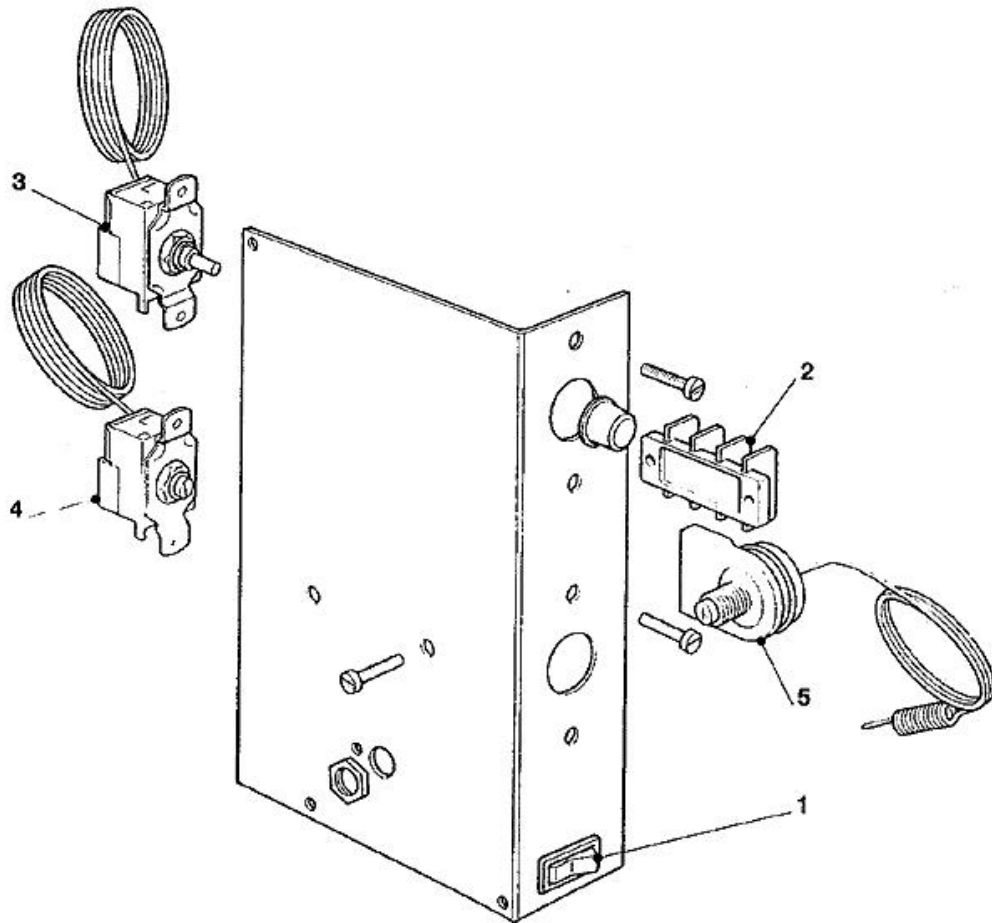
Pos	Code	Description
0001	SC670100 08	COMPRESSOR CUBIGEL - 230/60/1
0001	SC670105 05	COMPRESSOR - 230/50/1
0002	SCCUB 102661	START CAPACITOR - 230/50
0003	SCCUB 102200	PROTECTOR - 230/60/1
0003	SCEMB 2319079	PROTECTOR - 230/50/1
0004	SCCUB 405178	RELAY - 230/60/1
0004	SCEMB 2252345	CAPACITOR - 230/50/1
0004	SCEMB 2334112	RELAY - MTRP0012-65
0005	SC650109 00	VALVE BODY
0006	SC670012 00	VALVE CORE
0007	SC650106 00	CAP
0008	SC620389 00	CONDENSER
0009	SC281900 01	TUBE 16X10
0010	SC281900 01	TUBE 16X10
0011	SC630020 01	STRAINER
0012	SC620306 27	HOT GAS VALVE BODY
0013	SC620306 48	COIL - 230/50-60
0014	SC630003 05	DRIER
0015	SC784415 00	EVAPORATOR ASSY - LARGE
0015	SC784540 01	EVAPORATOR ASSY - MEDIUM
0016	SC784444 04	SUCTION LINE
0018	SC620075 00	PRESSOSTAT
0019	SC660291 00	TEE TUBE (D13)
0020	SC400030 01	NUT
0021	SC400031 00	WASHER



Pos	Code	Description
0001	SC650105 66	WATER INLET VALVE ASSY - 230V - AIR
0001	SC650105 70	WATER INLET VALVE ASSY - 230V - WATER
0002	SC281900 01	TUBE 16X10
0005	SC620433 00	WATER PUMP 230/50
0005	SC620433 01	WATER PUMP 230/60
0006	SC610147 00	TUBE
0007	SC793129 01	SPRAY SYSTEM ASSY
0008	SC660520 03	NO LONGER AVAILABLE
0009	SC660520 02	NO LONGER AVAILABLE
0010	SC060529 00	SPRAY COVER KIT
0011	SC640041 20	O RING
0012	SC744111 00	OVERFLOW TUBE
0013	SC660219 01	BIN DRAIN
0014	SC640134 00	O RING 4093
0015	SC660211 01	DRAIN FILTER
0016	SC610170 00	DRAIN HOSE
0017	SC610148 10	TUBE
0018	SC660224 00	TEE TUBE
0019	SC660535 00	PLASTIC NUT



Pos	Code	Description
0001	SC650105 66	WATER INLET VALVE ASSY - 230V - AIR
0001	SC650105 74	WATER INLET VALVE ASSY - 230V - WATER
0002	SC281900 01	TUBE 16X10
0005	SC620433 00	WATER PUMP 230/50
0005	SC620433 01	WATER PUMP 230/60
0006	SC610147 00	TUBE
0007	SC793129 01	SPRAY SYSTEM ASSY
0008	SC660520 03	NO LONGER AVAILABLE
0009	SC660520 02	NO LONGER AVAILABLE
0010	SC060529 00	SPRAY COVER KIT
0011	SC640041 20	O RING
0012	SC744111 00	OVERFLOW TUBE
0013	SC660219 01	BIN DRAIN
0014	SC640134 00	O RING 4093
0015	SC660211 01	DRAIN FILTER
0016	SC610170 00	DRAIN HOSE
0017	SC610148 10	TUBE
0018	SC660224 00	TEE TUBE
0019	SC660535 00	PLASTIC NUT



Pos	Code	Description
0001	SC620442 01	SWITCH
0002	SC630114 01	TERMINAL BOARD
0003	SC620264 11	EVAP. THERMOSTAT
0004	SC630005 00	BIN THERMOSTAT
0005	SC620443 02	THERMOSTAT