



Spare Parts Catalogue

G-Drink 9 Design Line OutDoor [DM9OD]

Revision: **003** Date: 21/09/2017



This pdf Manual has been created on the date indicated.
The latest version (inter-active) is available on web-site www.sandenvendo.com Client Area.
Thank you



English Version

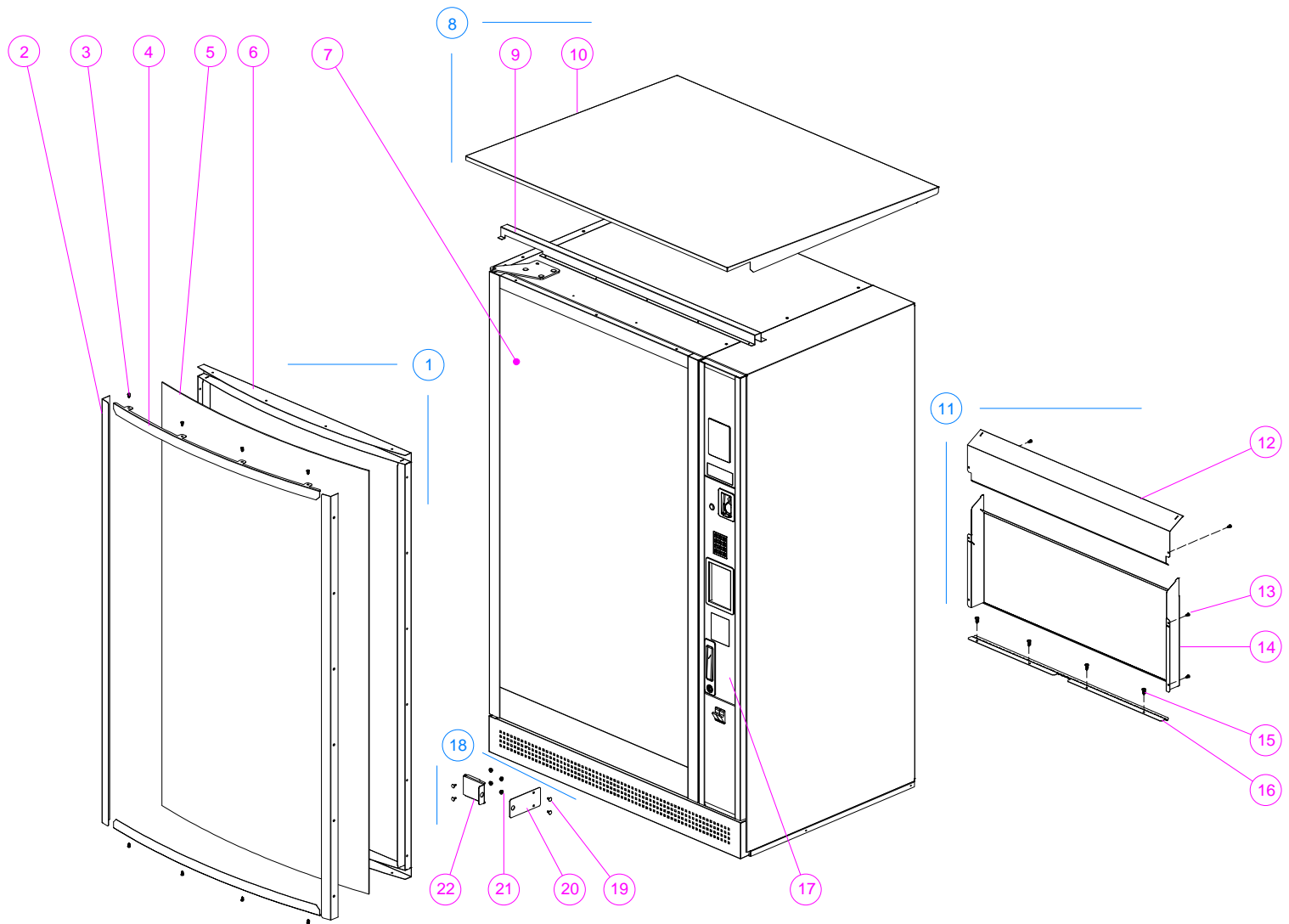


SandenVendo Europe S.p.A. - Regione Cavallino,2 - 15030 Coniolo (AL) - Italy

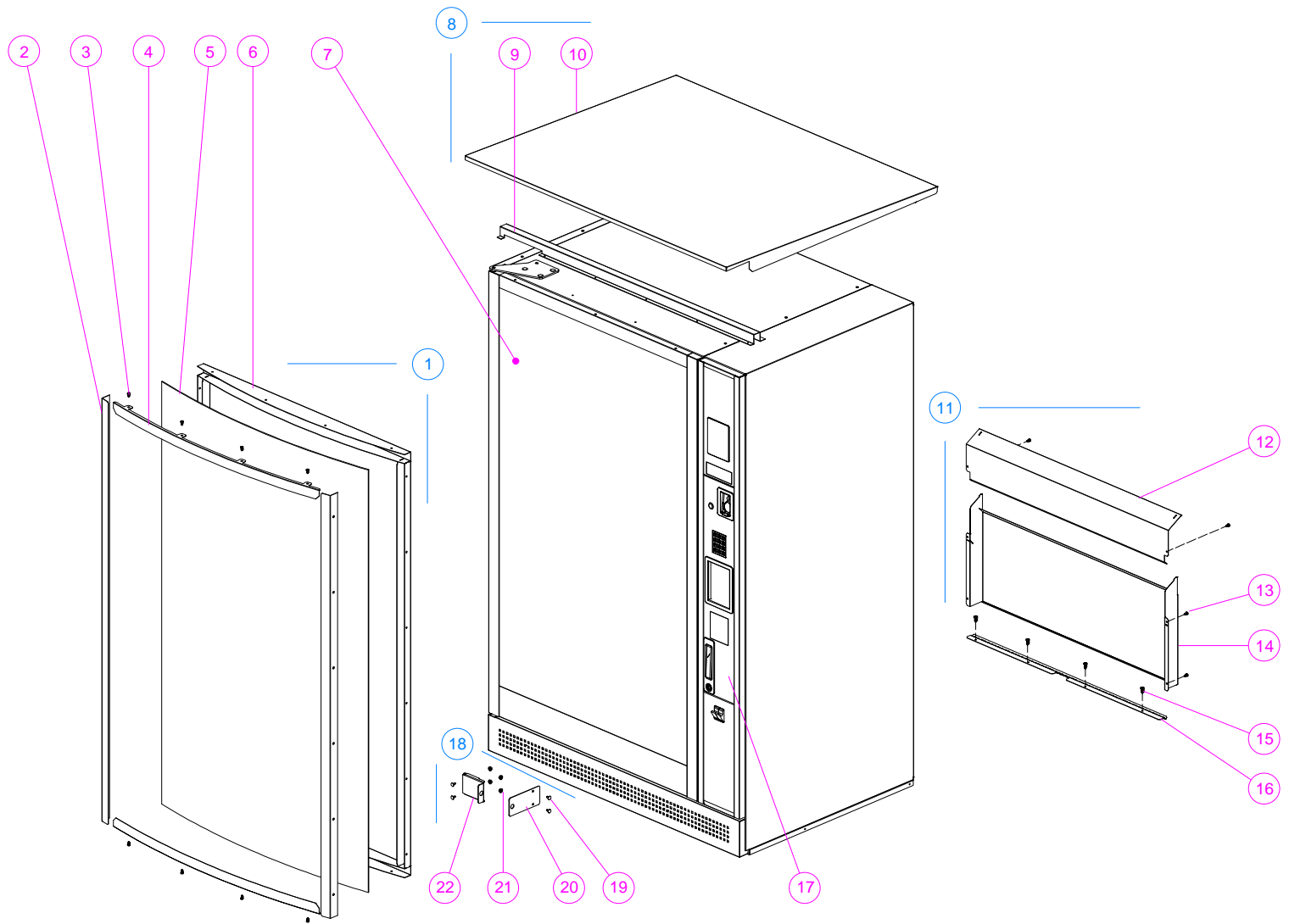
Tel. +39 0142.335119 - Fax +39 0142.562348 - E-mail: marketing@sandenvendo.it - Web: www.sandenvendo.com

Index

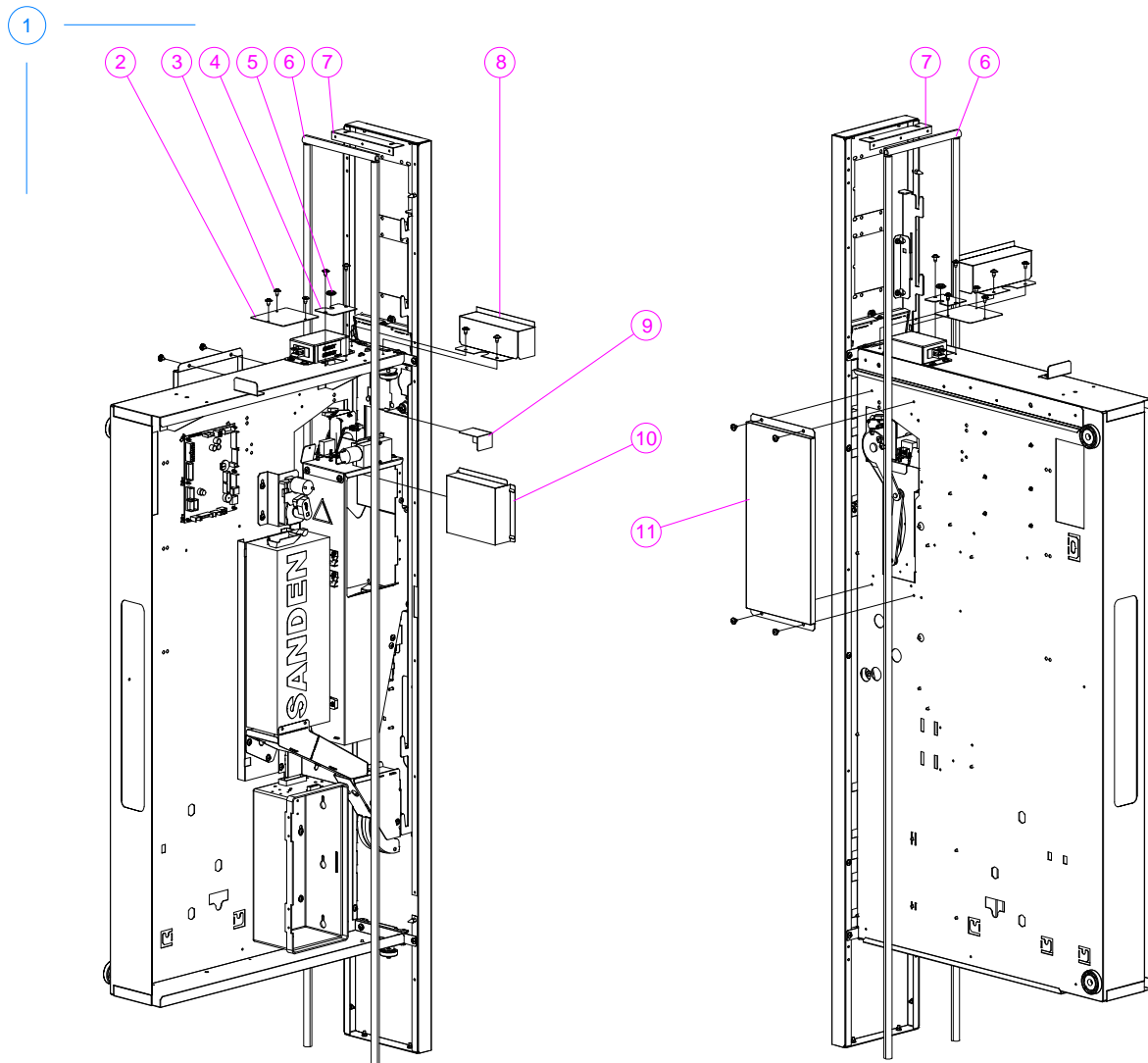
Contents	Page
Kit Out-Door External	2 - 3
Kit Out-Door Internal	4
Door	5
Lock	6
Cabinet	7 - 8 - 9
Control Panel Box	10
SCI Coin Insert Panel	11 - 12
Plug - Collar - Window	13
Control Panel	14
Drawer Unit	15 - 16
Prdouct Exit - Plastic FLAP	17 - 18
Plastic FLAP - Components	19 - 20
Prdouct Exit - Metal FLAP	21 - 22
Metal FLAP - Components	23 - 24
Tray	25 - 26
Mechanism	27
Y Unit Assy	28
X Movement	29 - 30
Bucket Assy	31
OutDoor Box Transformer	32 - 33
OutDoor Refrigerant Unit	34 - 35
CO2 Refrigerant Unit	36 - 37 - 38
Electrical diagram 1/2	39 - 40
Electrical diagram 2/2	41
Coin Box	42 - 43
Various Kit	44
Revision	45



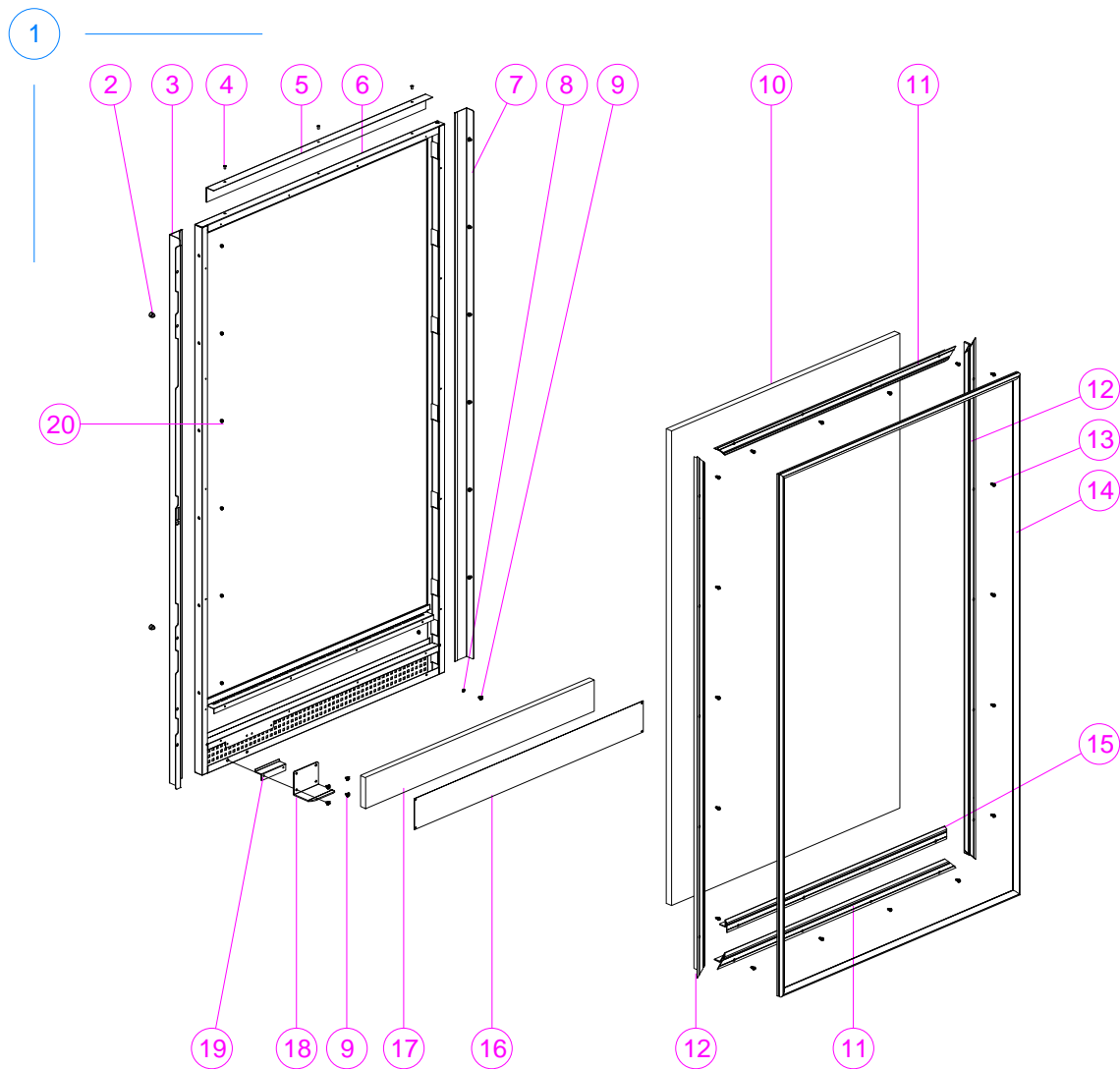
Pos	Code	Description	Serial Number	Nota
1	144024/3	PROTECTION TRIM DOOR GLASS ASSY		
2	412967/1	RH - LH LATERAL SECTION		
3	390559	POP RIVET BLACK 4,9X10	0000000000 - 2614003866	
3	410302	SCREW TORX 4,8X19 INOX	2614004438 - ZZZZZZZZZZ	
4	412966/3	UPPER - LOWER TRIM		
5	412965/3	FRONT PANEL		
6	144023/3	PROTECTION TRIM WELD ASSY		
7		Door		Pag. 5, Glass different than the STD model
8	144113/3	KIT OUTDOOR DL9		
9	412969/3	UPPER REINFORCEMENT		
10	144025/3	ASSY COVER OUTDOOR WELD		
11	142229/4	SPARE PARTS KIT REAR COVER OD	2719009084 - ZZZZZZZZZZ	
12	408853	REAR UPPER COVER	0000000000 - 2717008722	Recommended to order the new kit p/n 142229/4
12	414035	REAR CHANNER COVER	2719009084 - ZZZZZZZZZZ	Included in the assembly p/n 144113/3
13	390139/2	SCREW TTFR+ 4,2X13		
14	408854	REAR CHANNER	0000000000 - 2717008722	Recommended to order the new kit p/n 142229/4
14	414033	REAR CHANNER	2719009084 - ZZZZZZZZZZ	Included in the assembly p/n 144113/3
15	V800876	SCREW T1/2T+ 6,3X19		
16	408909	REAR PROTECTION REFRIGERANT SYSTEM	0000000000 - 2717008722	Recommended to order the new kit p/n 142229/4
16	414034	DRAINAGE CHANNEL	2719009084 - ZZZZZZZZZZ	Included in the assembly p/n 144113/3
17		Kit Out-Door Internal		Pag. 4, included in the assembly p/n 144113/3



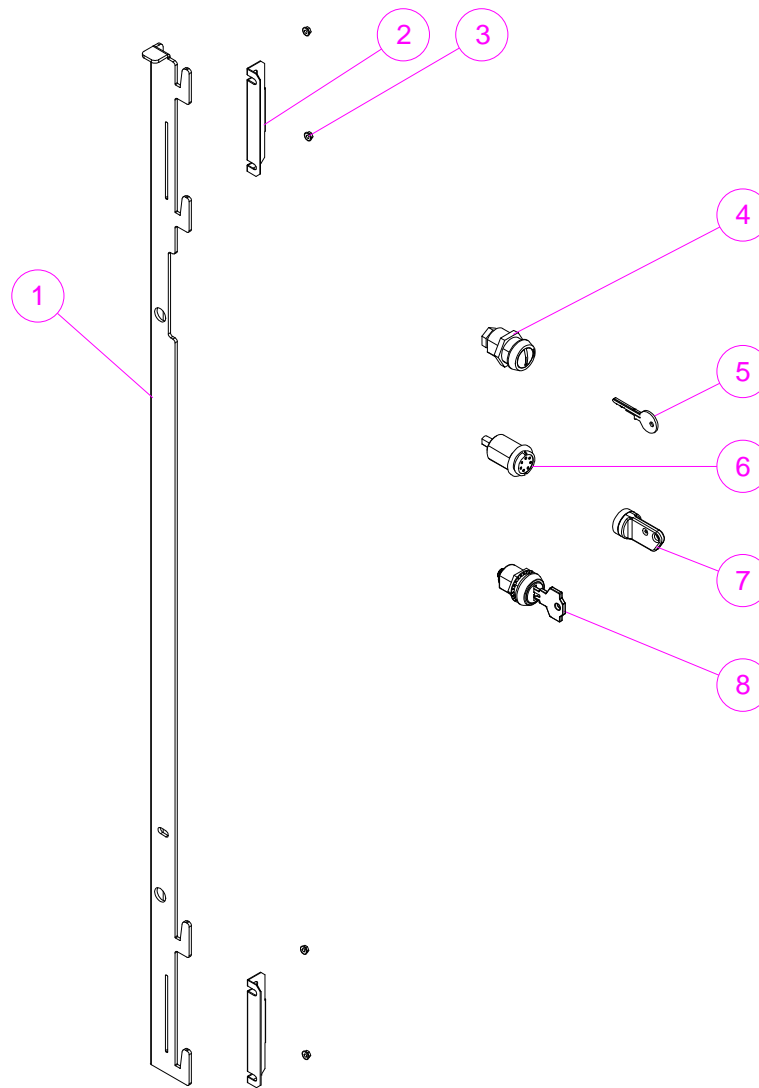
Pos	Code	Description	Serial Number Nota
18	141280/2	AZ ANTIVANDALISM LOCK FOR DESIGN LINE KIT	
19	375973/4	SCREW TTQST 5MAx20	
20	411033	SIDE BRACKET LOCKING	
21	398224/2	NUT, FLANGED 5MA MILLED	
22	141276/1	COVER HANDLE LOCK ASSY	



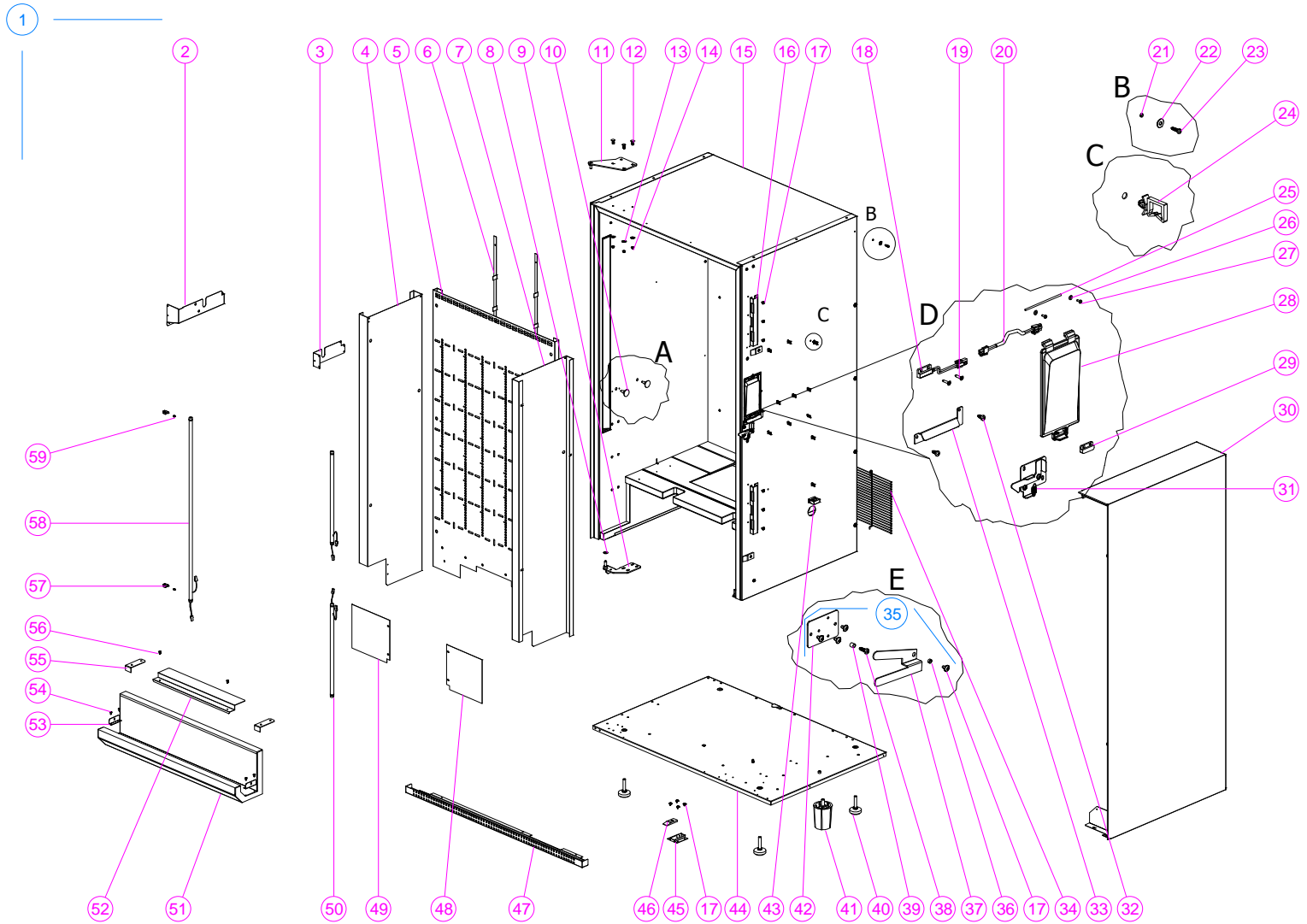
Pos	Code	Description	Serial Number	Nota
1	144113/3	KIT OUTDOOR DL9		
2	413648	PLUG CLOSURE MICRO SUPPORT HOLE	0000000000 - 2519008880	
3	V800570	SCREW T1+4,8X9,5 S.POINT		
4	410225	WIRING COVER	2520009384 - ZZZZZZZZZZ	
5	381698	FAIRLEAD	2520009384 - ZZZZZZZZZZ	
6	398725	GASKET KRONOSTICK 14X12	0000000000 - 2615005419	in meters
6	386479/5	GASKET EUROSTICK 15X10	2616006259 - ZZZZZZZZZZ	in meters
7	412977	GASKET BRACKET		
8	412979	DISPLAY COVER		
9	412983	COIN RETURN BUTTON COVER		
10	412980	KEYBOARD COVER		
11	413762/2	FLAP COVER HOLE OD		



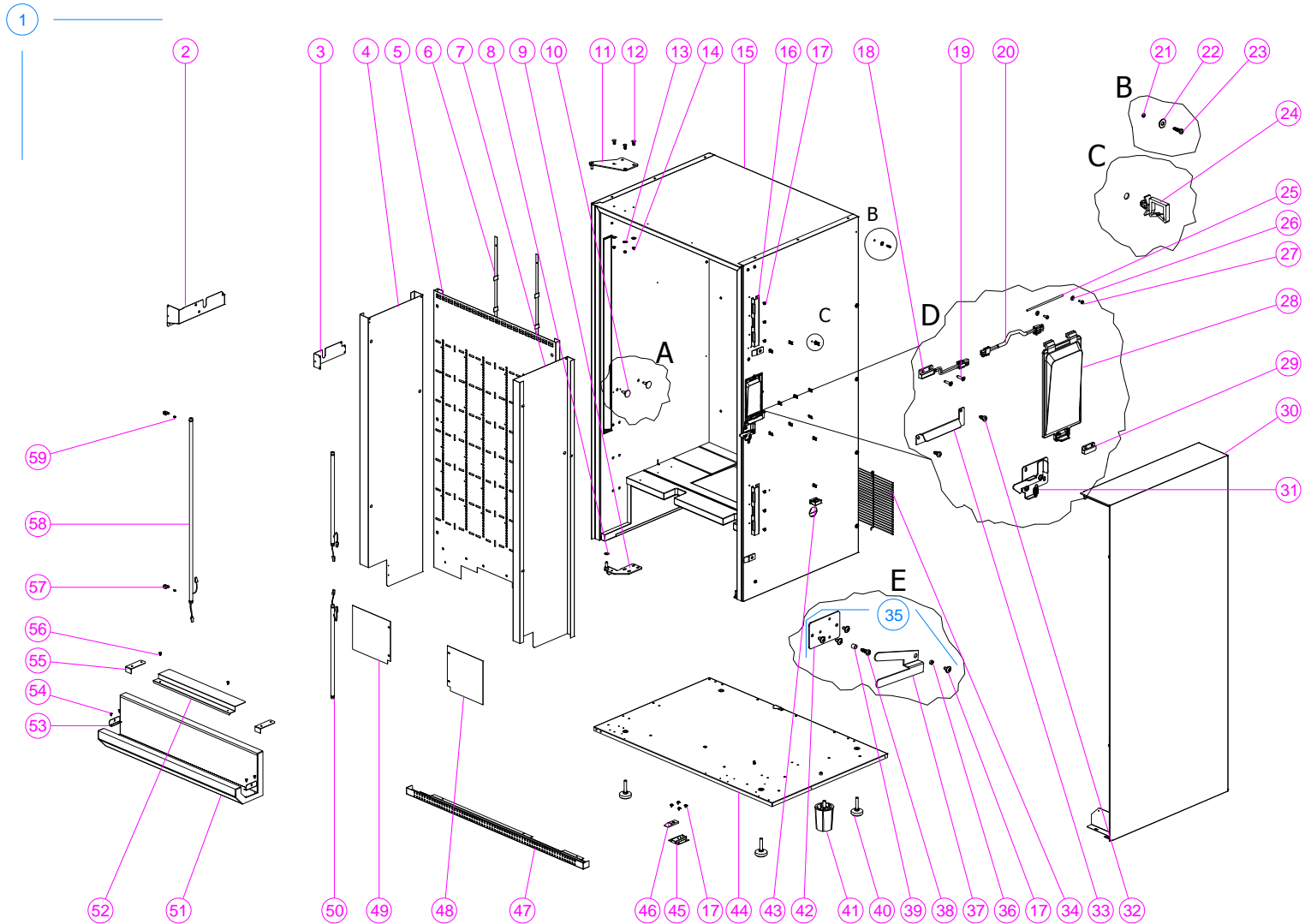
Pos	Code	Description	Serial Number Nota
1	144389/2	DM90D DOOR ASSY	
2	394693	ANTI-SHOCK RUBBER	
3	144520/1	OD RH DOOR PROFILE WELD ASSY	
4	390559	POP RIVET BLACK 4,9X10	
5	413331/1	OD DOOR UPPER PROFILE	
6	143897/1	DV90D DOOR WELD ASSY	
7	144519/1	OD LH DOOR PROFILE WELD ASSY	
8	V801039	WASHER D.E. 4X8	
9	V800570	SCREW T1+4,8X9,5 S.POINT	
10	405796/26	GLASS DL9 1520x935x22 HEATED	
11	404124/23	TOP-BOTTOM GASKET PROFILE	
12	404124/29	LATERAL GASKET PROFILE	
13	V800566	TAPPING SCREW	
14	413420/3	DV9 DOOR GASKET	
15	404124/30	GLASS BOTTOM GASKET FRAME	
16	412759	DV9 REAR PANEL	
17	412758	INSULATION PANEL	
18	413698	LIFTING PLATE HOLDER	
19	413790	LOWER DOOR BRACKET	
20	398224/1	NUT, FLANGED 4MA MILLED	



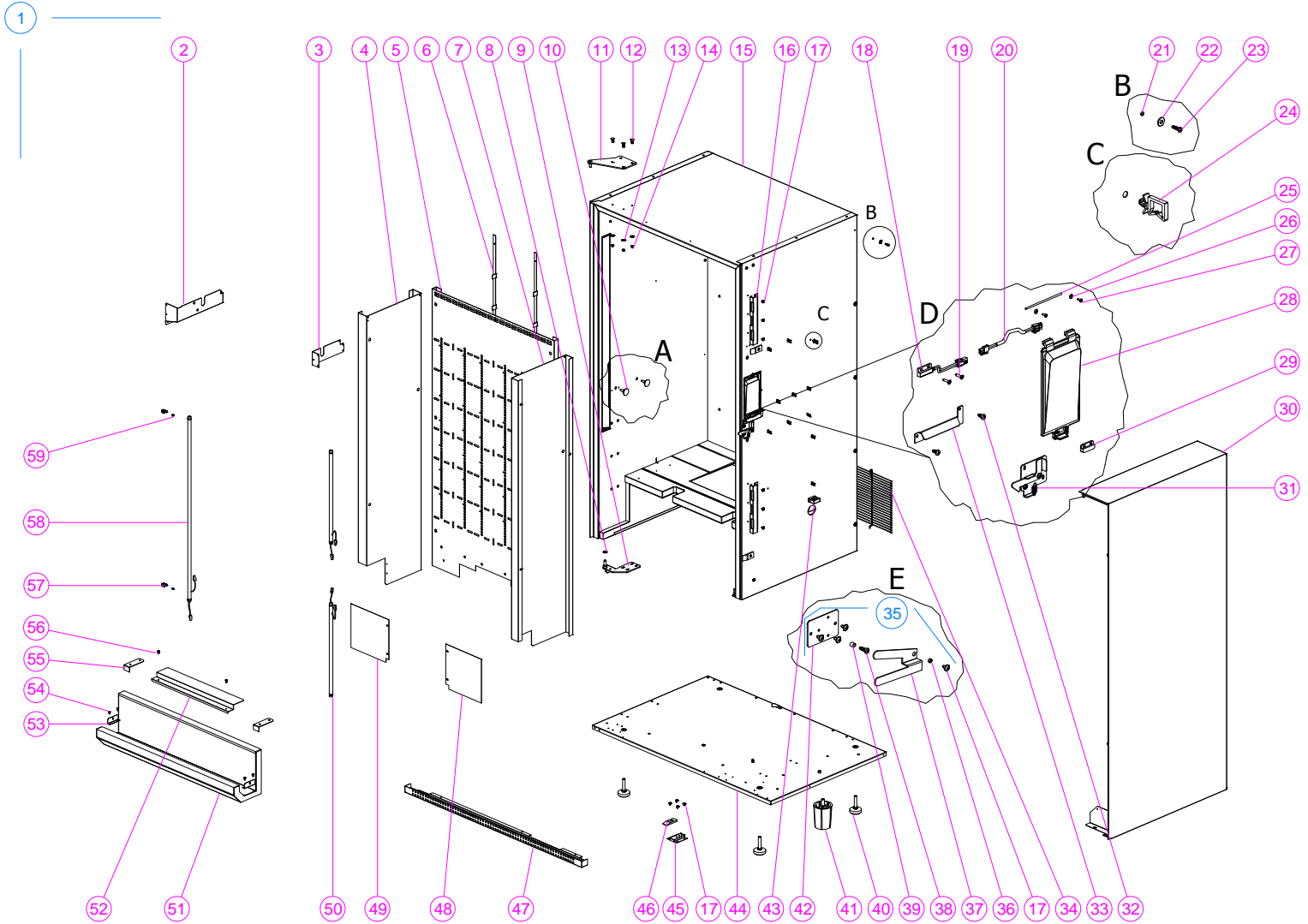
Pos	Code	Description	Serial Number Nota
1	412358	SLIDE ROD	
2	412071	SLIDE ROD RETAINER	
3	398224/1	NUT, FLANGED 4MA MILLED	
4	411746	LOCK RIELDA VENDO MOD.583	
5	408306	SILVER KEY AJSAND VENDO	Only with p/n 411746
6	412238	LOCK LC90RM1	
7	412239	KEY K5KEYM1	Only with p/n 412238
8	412383	LOCK G10B4KA1000 NUMBER 2001	
8	412383/1	LOCK G10B4KD DIFERENT NUMBER	
8	412383/2	LOCK G10B4KA CIF.12027	
8	412383/3	LOCK G10B4KA CIF.16260	
8	412383/4	LOCK G10B4KA CIF.22805	



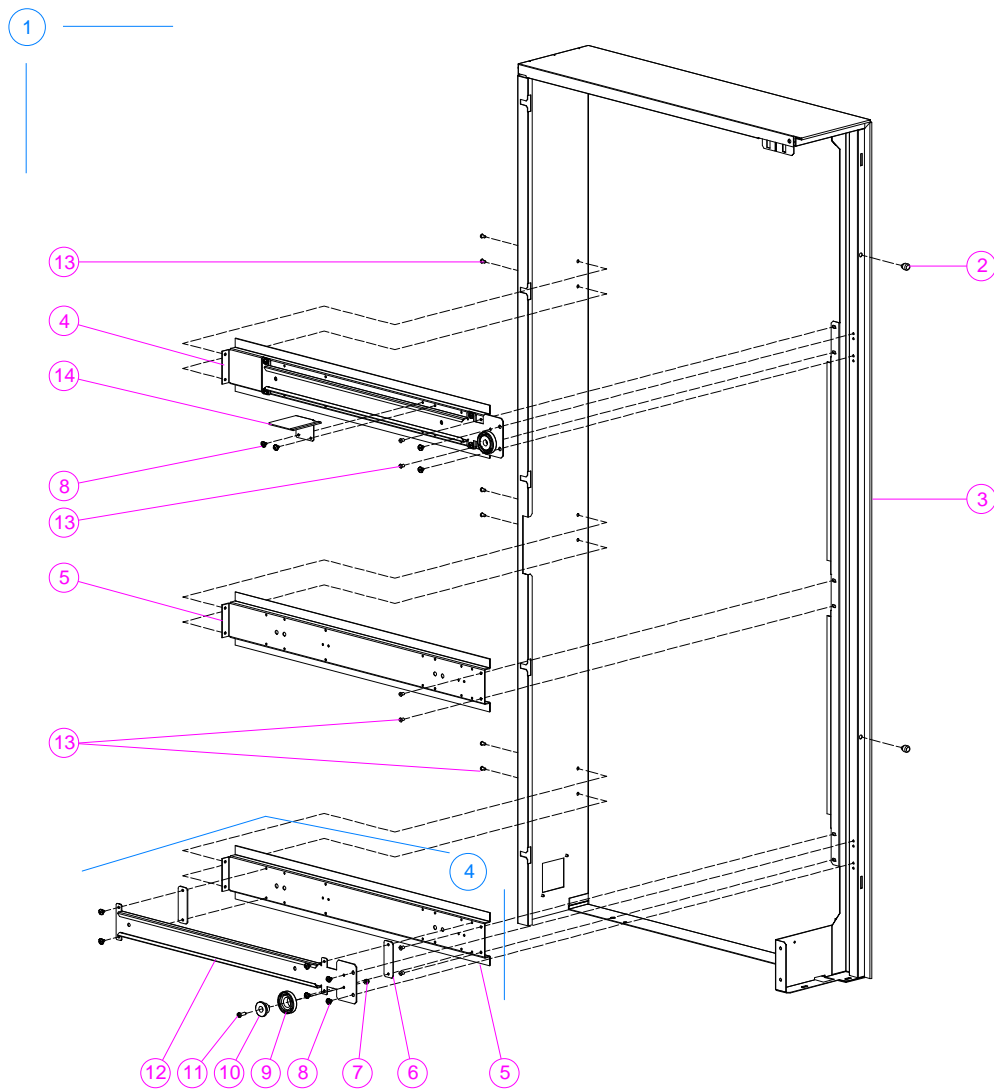
Pos	Code	Description	Serial Number Nota
1	143892/1	DM9 CABINET ASSY	
2	413441	LH COVER Y UNIT	
3	413440	RH COVER Y UNIT	
4	408413	LH SIDE	
5	408415	AIR CHANNEL	0000000000 - 2712002222
5	410027	AIR CHANNEL DR9-DV9	2713003258 - ZZZZZZZZZZ
6	408103	SPACER AIR CHANNEL	
7	408414	RH SIDE	
8	347082	WASHER	
9	143902	BOTTOM HINGE WELD ASSY	
10	404306	CANOE CLIPS	
11	143156	TOP HINGE WELD ASSY	
12	386237/1	SCREW TTQST 6MAX20	
13	38148	FLAT WASHER 6X18X1.5	
14	398224/3	NUT, FLANGED 6MA MILLED	
15	143891	DV9 FOAMED CABINET	
16	411702	LOCK CLOSE BRKT	
17	V800570	SCREW T1+4,8X9,5 S.POINT	
18	138076	WIRED SENSOR	
19	393394/1	SCREW TSP+ 3,5x16	
20	141077	FLAP DOOR MICRO-SWITCH HARNESS	



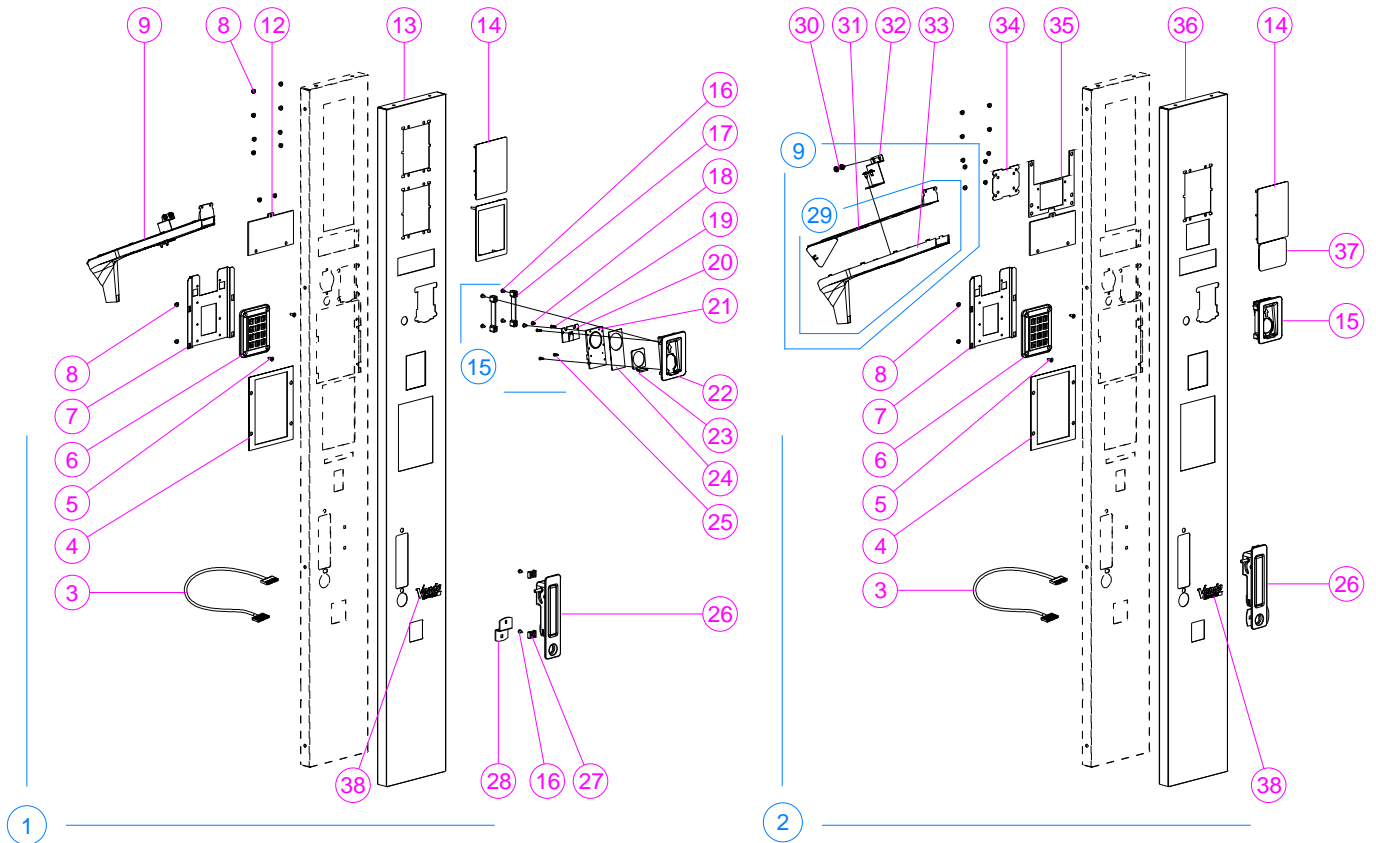
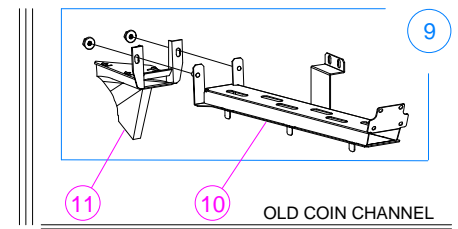
Pos	Code	Description	Serial Number Nota
21	386067/2	BRASS SPACER 5x7x2	
22	38148	FLAT WASHER 6X18X1.5	
23	392337	SCREW TC+ 4,8X22	
24	408828	CABLE FASTNER	
25	386662/15	ROD Ø3	
26	V801440	WASHER	
27	381603/14	SCREW TC+ 2,9X9,5 LARGE HEAD	
28	143026	DELIVERY EYELET DOOR ASSEMBLY	p/n 408907 + p/n 407974
28	408907	PRODUCT EYELET DOOR	
29	407974	MAGNET P6250000 (CELDUC)	
30		Control Panel Box	Pag. 10
31	143813	WINDOW CLOSURE ASSEMBLY	
32	V800566	TAPPING SCREW	
33	411309	CHUTE	
34	137779/11	BACK PROTECTION ASSY	
35	144413	STOP LEVER DRAWER ASSY	
36	386067/5	BRASS SPACER 5x7x2.5	
37	413567	STOP LEVER DRAWER	
38	V800874	SCREW T1/2T+ 4,8X16 S.POINT	
39	386067/1	BRASS SPACER 5x7x7	
40	386804	LEVELLING SCREW	



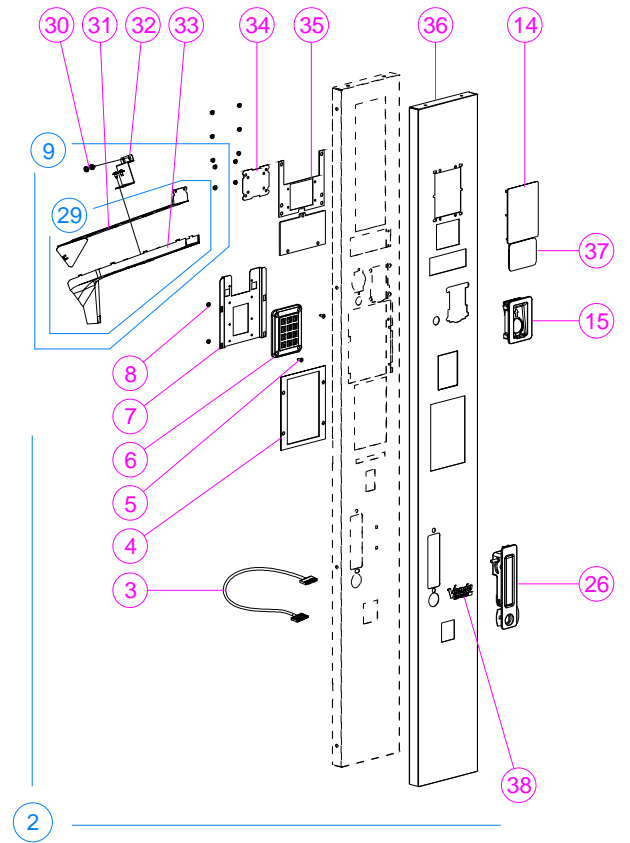
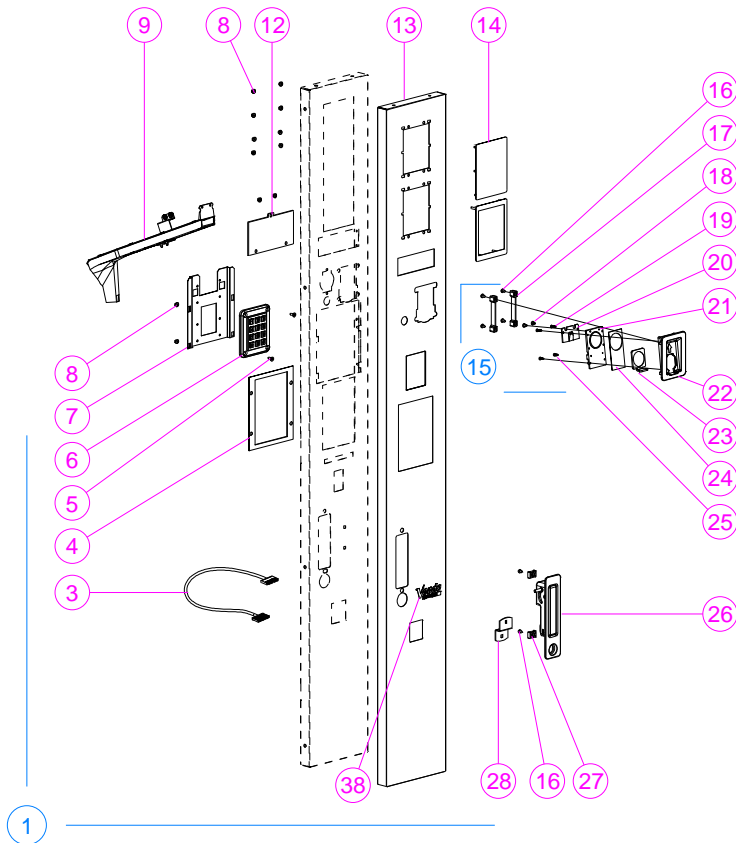
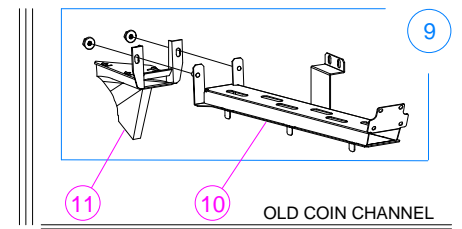
Pos	Code	Description	Serial Number Nota
41	403897	LEVELLING SCREW M12 (BIG FOOT)	Not included in the assembly
42	410129	PLATE FOR HOOK CLOSURE	
43	394529	CABLE FIX OBO Ø18-30	
44	143894	DV9 CABINET BASE WELD ASSY	
45	412762	CHUTE LIFT DOOR SUPPORT	
46	396124	PLASTIC CHUTE	
47	412761	LOWER DOOR CARTER	Not included in the assembly
48	413806	RH REFRIGERANT UNIT COVER	
49	413807	LH REFRIGERANT UNIT COVER	
50	407742/3	LED TUBE 501mm	
51	143756	BULKHEAD CRADLE FOAMING ASSY	
52	407921	REFRIGERANT UNIT COVER	
53	406623/1	ELEVATOR FASTENER	
54	V800622	SCREW TC+ 4,8X12	
55	413637	BULKHEAD FIXING BRACKET	
56	390139	SCREW TTFR+ 4,2X13	
57	402698	CLIP Ø16	
58	407742/2	LED TUBE 986mm	
59	392750	SCREW TC+ 4,2X 6,5	



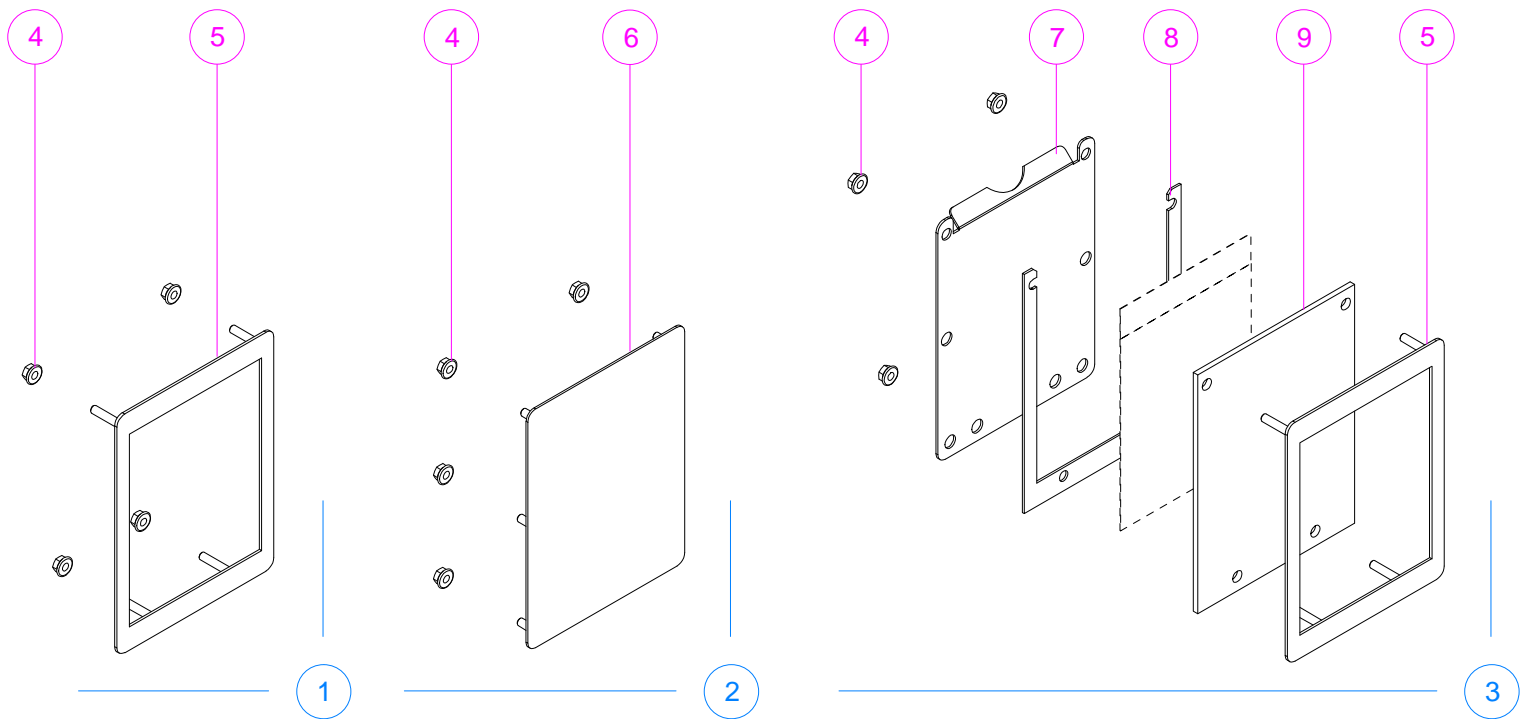
Pos	Code	Description	Serial Number Nota
1	143198	EXTERNAL CABINET ASSEMBLY	
2	394693	ANTI-SHOCK RUBBER	
3	143305	EXTERNAL CABINET WELD ASSEMBLY	
4	142760	SLIDE-WAY DRAWER ASSEMBLY	2620010496 - ZZZZZZZZZZ
5	407981	HORIZONTAL INNER REINFORCE	
6	409447	SLIDING GUIDE PLATE	2620010496 - ZZZZZZZZZZ
7	390058/2	SELF-BLOCKING NUT 5MA	
8	V800570	SCREW T1+4,8X9,5 S.POINT	
9	411660	WHEEL DRAWER SCROLL	
10	411207	SCROLL WHEEL INSERT	
11	381290/2	SCREW TC+ 5MAX15	
12	143438	SLIDE-WAY DRAWER ASSEMBLY	0000000000 - 2619009367
12	409446	SLIDE-WAY DRAWER	2620010496 - ZZZZZZZZZZ
13	390559	POP RIVET BLACK 4,9X10	
14	411707/2	SWITCH ACTUATOR	



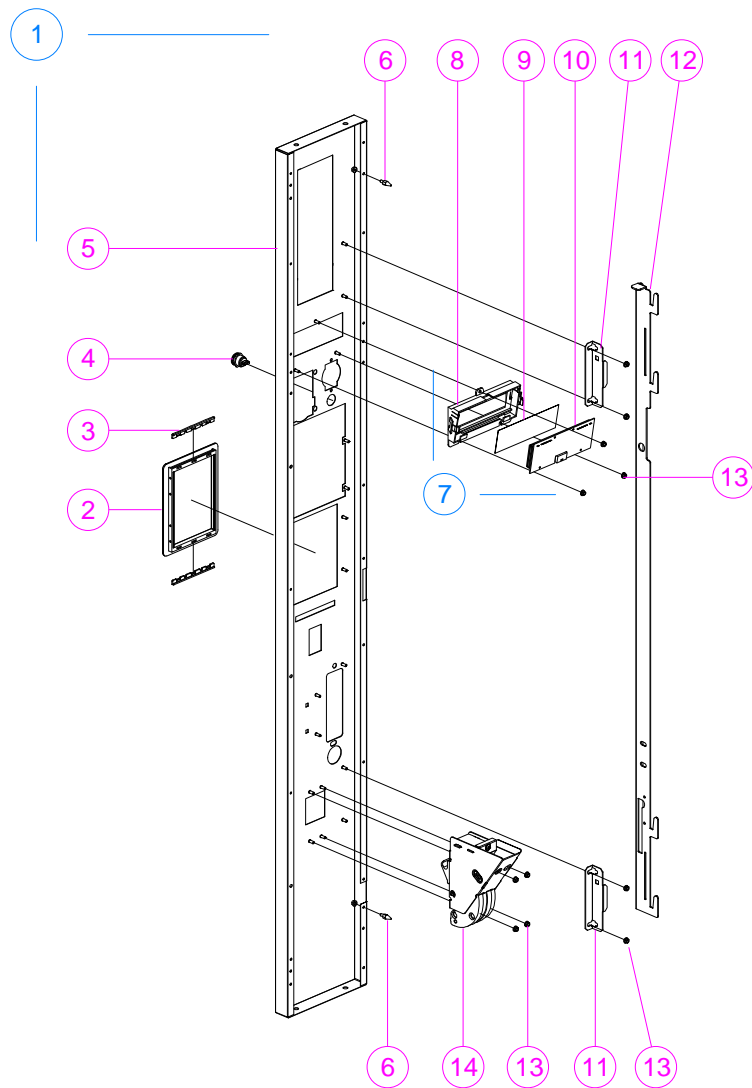
Pos	Code	Description	Serial Number Nota
1	144518	ST COIN INSERT SCI-KEYBOARD FMP PLUG-PLUG	With 2 Plug p/n 138859
1	144518/1	SV COIN INSERT SCI-KEYBOARD FMP PLUG-WINDOW	With 1 Plug p/n 138859 and 1 Window p/n 144341
1	144518/2	SB COIN INSERT SCI-KEYBOARD FMP PLUG-FRAME	With 1 Plug p/n 138859 and 1 Collar p/n 139515
2	144518/3	2T COIN INSERT SCI-KEYBOARD FMP PLUG-AGE READER	With 1 Plug p/n 138859
3	143009/1	SVE01-KEYBOARD HARNESS	
4	413666	THICKNESS FOR DELIVERY EYELET TRIM	
5	404622/1	SCREW TSP+ 4,8x13	
6	412731	EOZ KEYBOARD	
7	412411	TELEPHONE KEYBOARD SUPPORT	
8	398224/1	NUT, FLANGED 4MA MILLED	
9	143763	COINS CHANNEL ASSY	0000000000 - 2615005419
9	142095	COINS CHANNEL ASSY	2616006259 - 7777777777
10	143765	COINS CHANNEL ASSY	0000000000 - 2615005419
11	139888	SLIDE COIN CHUTE ASSY	0000000000 - 2615005419
12	413598/1	DISPLAY GLASS	
13	413764/3	DM EXTERIOR CONTROL PANEL	
14		Plug - Collar - Window	Pag. 13
15	143597	SLIDE COIN INSERT ASSY	
16	V800611	SCREW 4,2x9,5	
17	412476	DOUBLE FIXING SUPPORT	
18	V800565	SCREW T1+4,2X6,5 S.POINT	



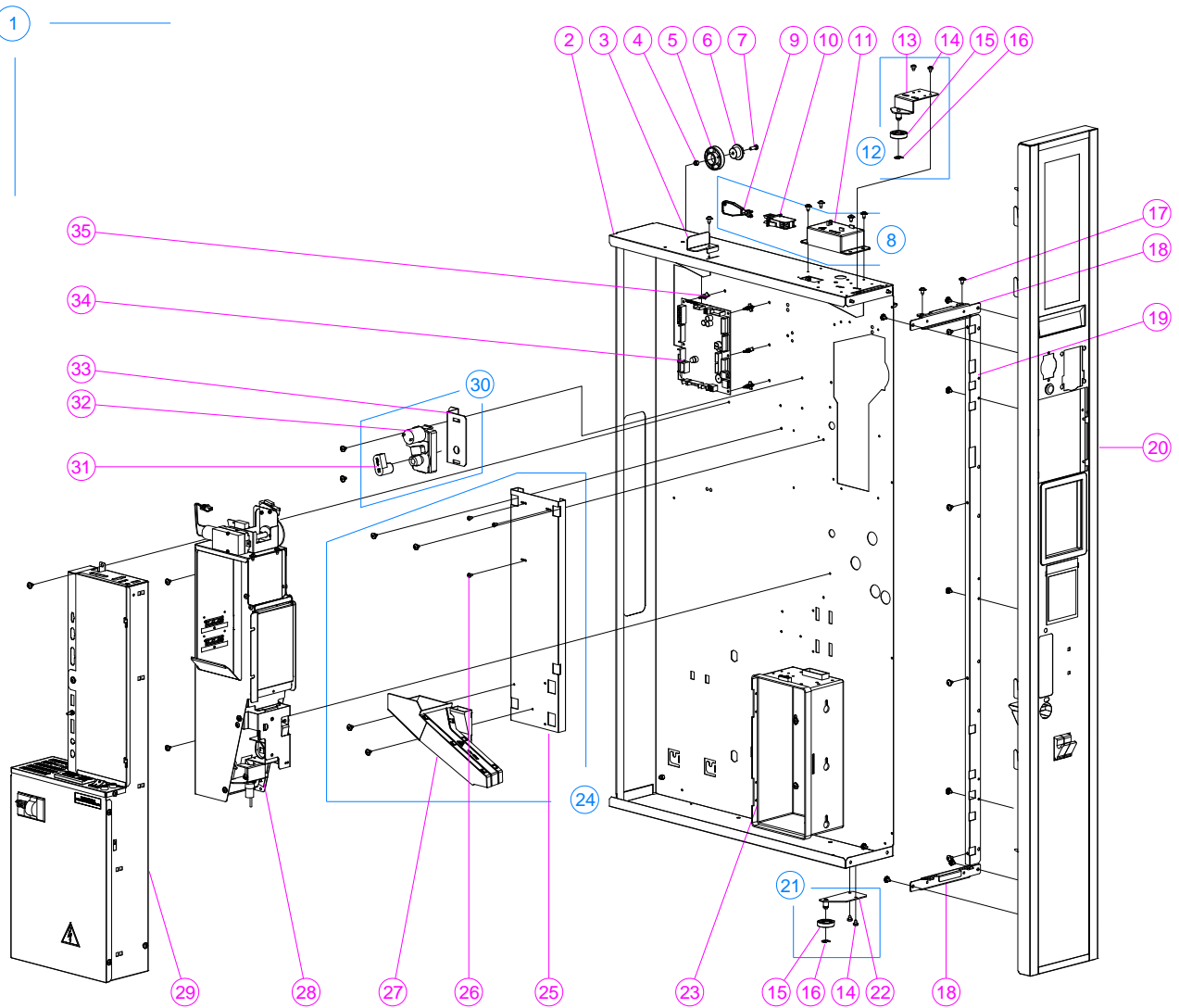
Pos	Code	Description	Serial Number Nota
19	402902	SCREW TL PZ CIL 3.5X12	
20	412324	COINS DEFLECTOR	
21	412323	SLIDE REAR PLATE	
22	412212	SLIDE COIN INSERT	
23	412326	DRAFT COINS INSERT	
24	412325	SCROLLING PLATE	
25	402902/1	SCREW TL PZ CIL 3.5X9	
26	143650	CLOSURE DOOR ASSY	
27	412476/1	SINGLE FIXING SUPPORT	
28	412273	LOCK LEVER	
29	142034	PLASTIC COINS CHANNEL ASSY	P/N 413866 + P/N 413877
30	V800570	SCREW T1+4,8X9,5 S.POINT	
31	413877	COIN CHUTE COVER	Included in the p/n 142034
32	412514	COINS CHANNEL BRAKET	
33	413866	COIN CHANNEL	Included in the p/n 142034
34	407997	REAR COVER HOLE READER	
35	410163/1	DM/SM AGE READER PLATE	
36	413764/4	AGE READER DM EXTERIOR CONTROL PANEL	
37	141253	PLUG WELD ASSY CARD READER	
38	410281/1	SANDENVENDO FMP LABEL	



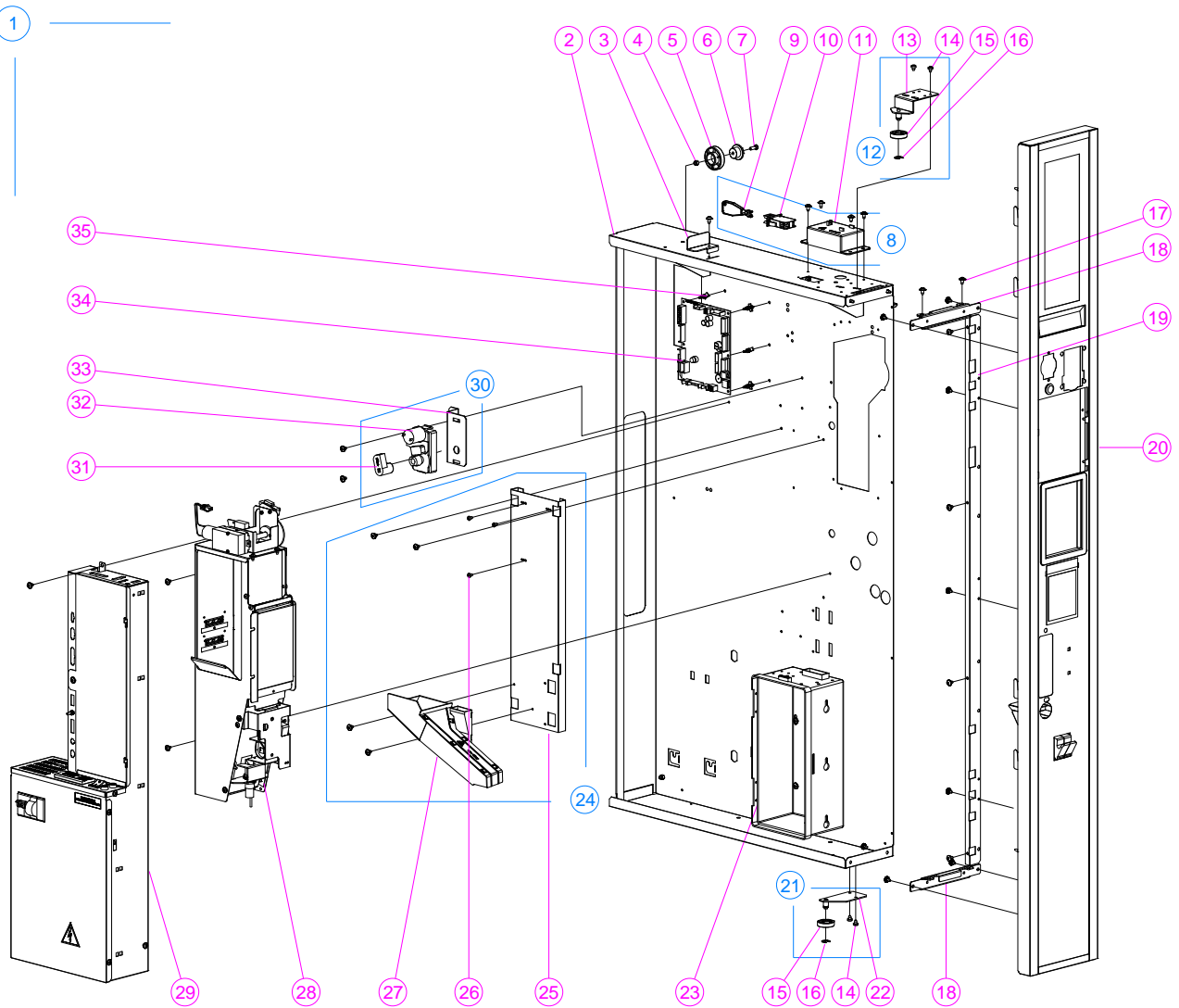
Pos	Code	Description	Serial Number Nota
1	141997	KIT COLLAR DESIGN LINE	
2	141997/1	KIT PLUG DESIGN LINE	
3	141997/2	KIT WINDOW DESIGN LINE	
4	398224/1	NUT, FLANGED 4MA MILLED	
5	139515	WELDED ASSY COLLAR CVB	
6	138859	WELDED ASSY HOLE COVER CVB	
7	399049	REAR COVER	
8	413611	GUIDE	
9	413609	WINDOW PANEL	



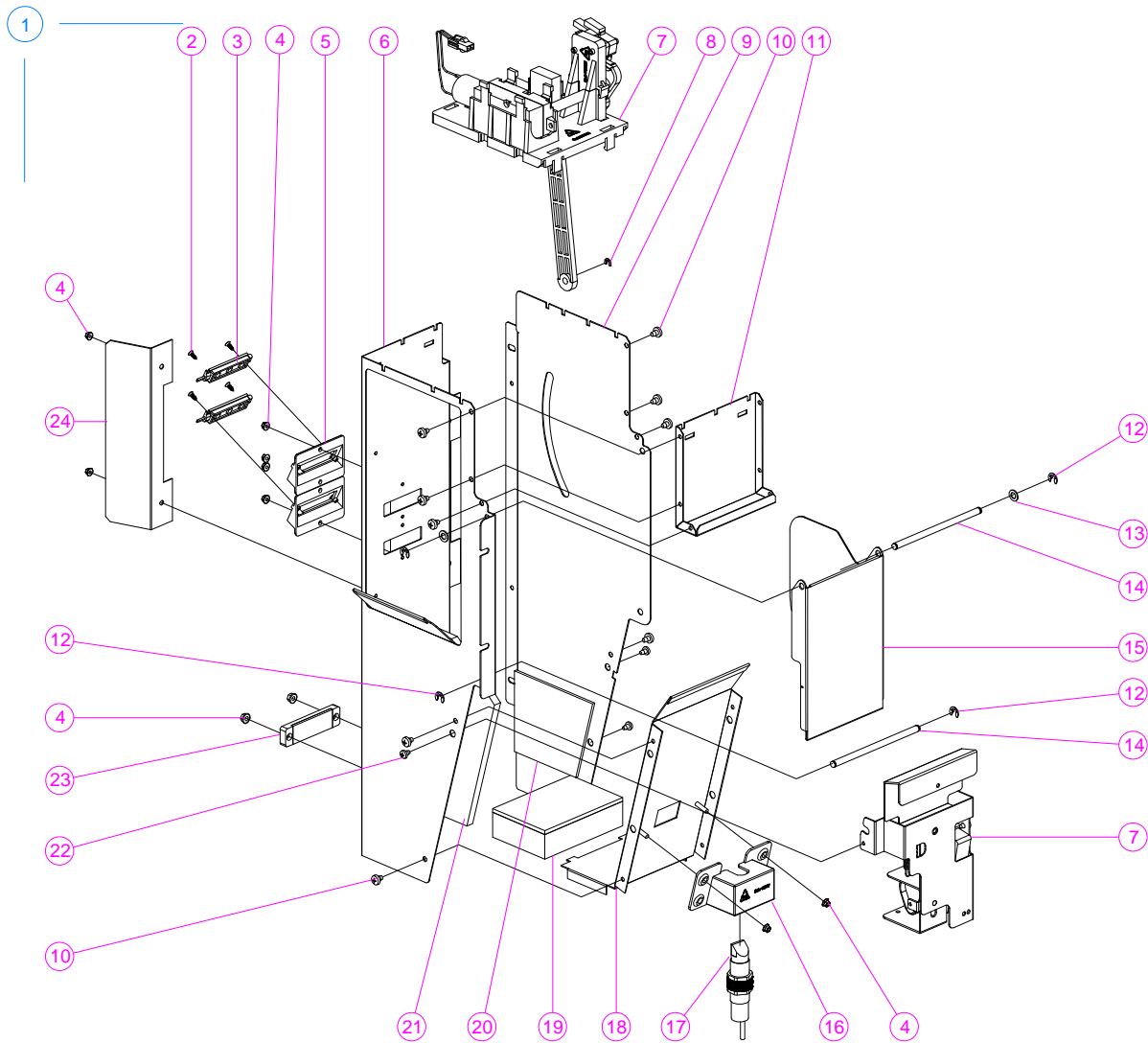
Pos	Code	Description	Serial Number Nota
1	144340/4	DM FRONT DRAWER ASSY	
2	143458/1	DELIVERY EYELET FRAME ASSY	
3	411971	HOOKING DELIVERY EYELET FRAME	
4	408964	PUSH BUTTON EAO	
5	143905/3	CONTROL PANEL WELD ASSY	
6	411152	PIN CENTERING DRAWER	
7	143116/1	DISPLAY WITH CYAN GLASS ASSY	
8	411467	SUPPORT, DISPLAY	
9	411519/1	CYAN DISPLAY GLASS	
10	411490	DISPLAY VFD 256X64	
11	412071	SLIDE ROD RETAINER	
12	412358	SLIDE ROD	
13	398224/1	NUT, FLANGED 4MA MILLED	
14	137126	COIN RETURN ASSY	



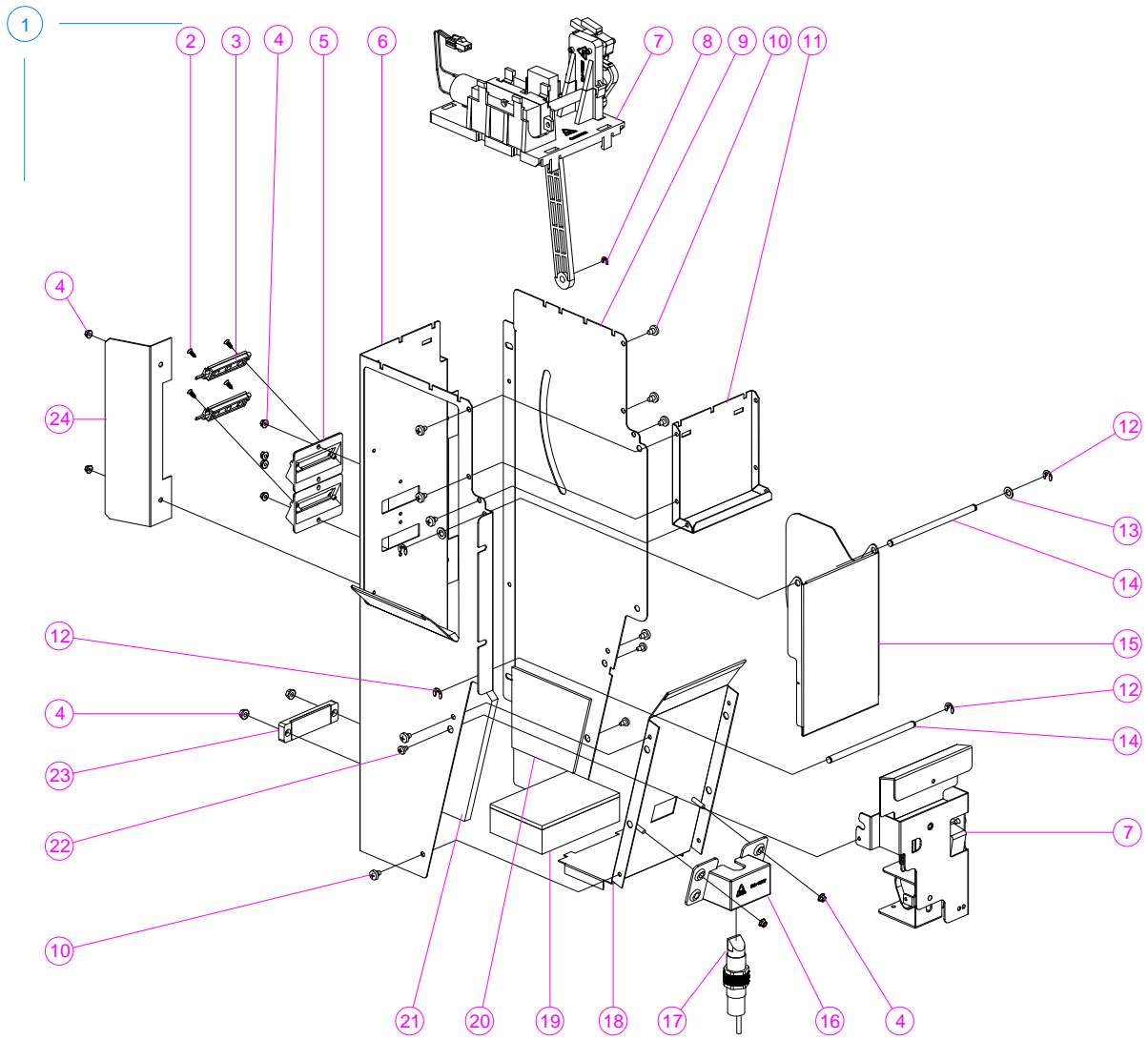
Pos	Code	Description	Serial Number Nota
1	143906/1	DM DRAWER ASSEMBLY	
2	144168	DRAWER WELD ASSEMBLY	
3	413221	DRAWER RETAINER	
4	390058/2	SELF-BLOCKING NUT 5MA	
5	411660	WHEEL DRAWER SCROLL	
6	411207	SCROLL WHEEL INSERT	
7	381290/2	SCREW TC+ 5MAX15	
8	144260	MICRO DRAWER ASSY	
9	412370	POWER KEY	
10	393220	SWITCH XTD22	
11	413095	SWITCH BOX COVER	0000000000 - 2613002871
11	410696	PLASTIC SWITCH BOX COVER	2614003787 - ZZZZZZZZZZ
12	143725	CENTERING WHEEL DOOR ASSY	
13	143724	RIVETED WHEEL SUPPORT	
14	V800569	SCREW TC+ 4,8x6,5	
15	392308	WHEEL	
16	381442/1	SEEGER Ø8 DIN 6799	
17	V800570	SCREW T1+4,8X9,5 S.POINT	
18	411957	REINFORGE DRAWER	
19	411961	FRONT DRAWER SUPPORT	
20		Control Panel	



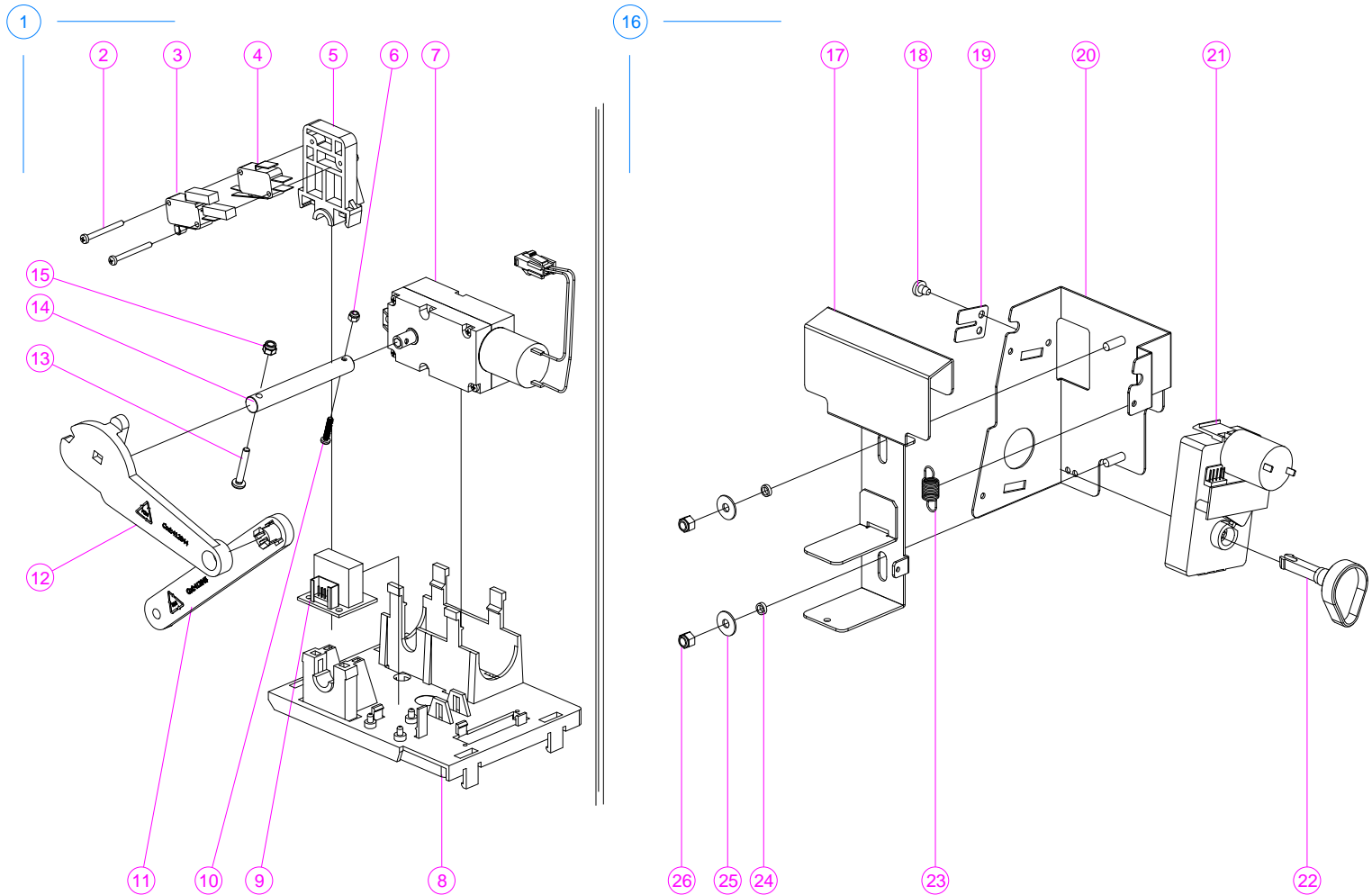
Pos	Code	Description	Serial Number Nota
21	140406	CENTERING WHEEL DOOR ASSY	
22	140407	RIVETED WHEEL SUPPORT	
23	400771	PLASTIC BOX	
24	141356	COINAGE SUPPORT ASSY	
25	407690	COIN BOX SUPPORT	
26	V800611	SCREW 4,2x9,5	
27	142053	COIN RETURN CHANNEL ASSY (in plastic)	
28		Prduct Exit - Metal FLAP	Pag. 21 - 22
29		OutDoor Box Transformer	Pag. 32 - 33, Not included in the assembly
30	143207	COINS RETURN MOTOR ASSY	
31	411352	MONEY RETURN CAM	
32	411892	FIBER MOTOR	
33	411052	COINS RETURN MOTOR SUPPORT	
34	411141/1	BOARD SVE01	
35	386348	SUPPORT	



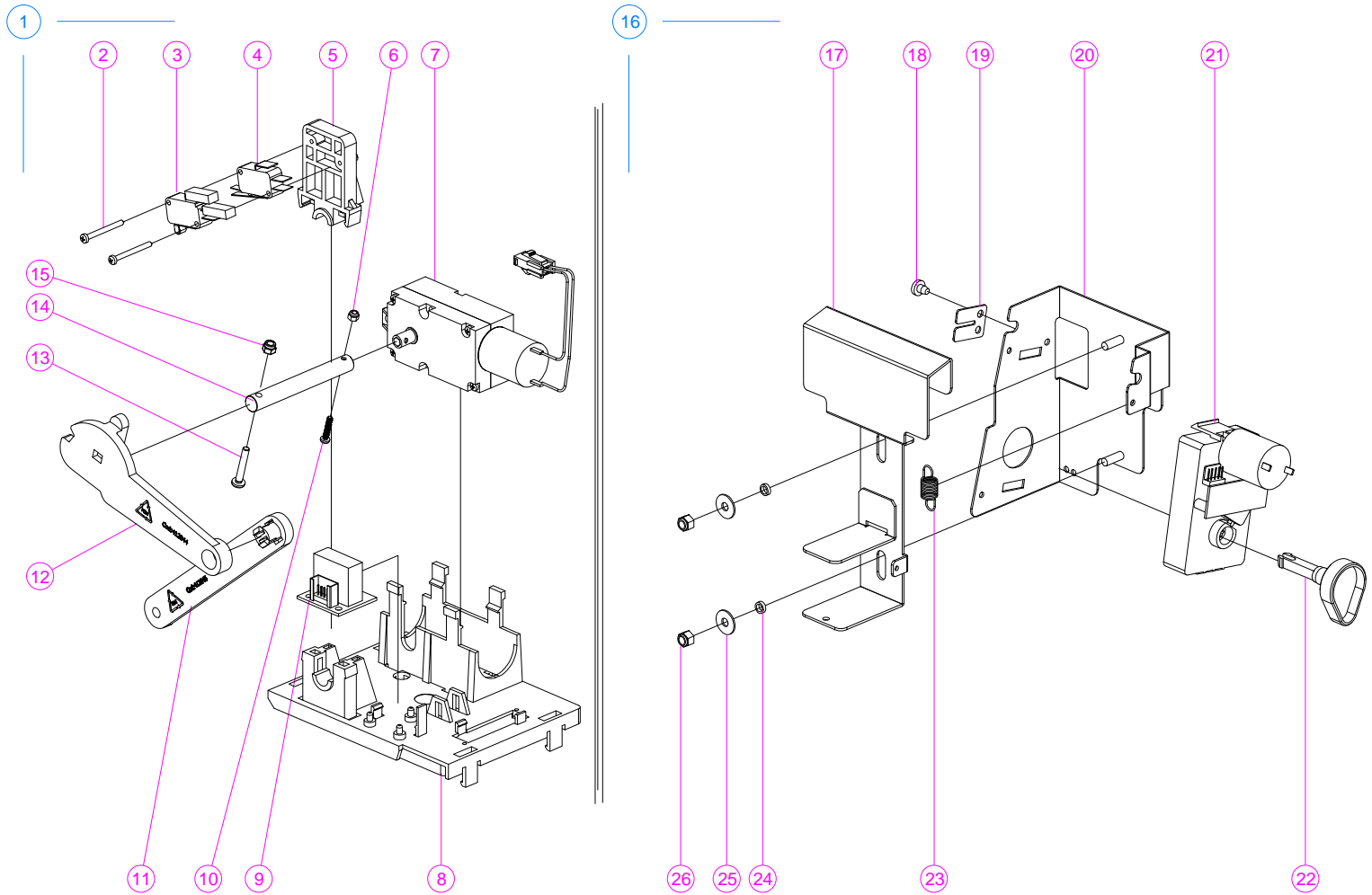
Pos	Code	Description	Serial Number Nota
1	142393	DL-DV-DM FLAP ASSY	2614003787 - ZZZZZZZZZZ
2	381603/5	SCREW TSP+ 2,9X9,5	
3	408035	LED BOARD	
4	398224	NUT, FLANGED 3MA MILLED	
5	412664	FLAP LED SUPPORT	
6	142394	LH SIDE FLAP RIVET ASSY	
7		Plastic FLAP - Components	Pag. 19 - 20
8	381442/2	SEEGER Ø4 DIN 6799	
9	409299	FLAP CASING RH	
10	V800569	SCREW TC+ 4,8x6,5	
11	412825	FRONT FLAP	
12	381442/5	SEEGER Ø5 DIN 6799	
13	411954	DOOR SPACER FLAP	
14	411766	DOOR ROTATION PIN	
15	143321	FRONT DOOR DRUM RIVET ASSY	
16	408437	PHOTOCELL SUPPORT	
17	408174	FAR/BN-2A MD PHOTOCELL	
18	143717	FRONT SUPPORT FLAP RIVET ASSY	
19	413125	FLAP BOTTOM	
20	413130	FLAP RUBBER SPONGE	
21	413126	FLAP RUBBER SPONGE	



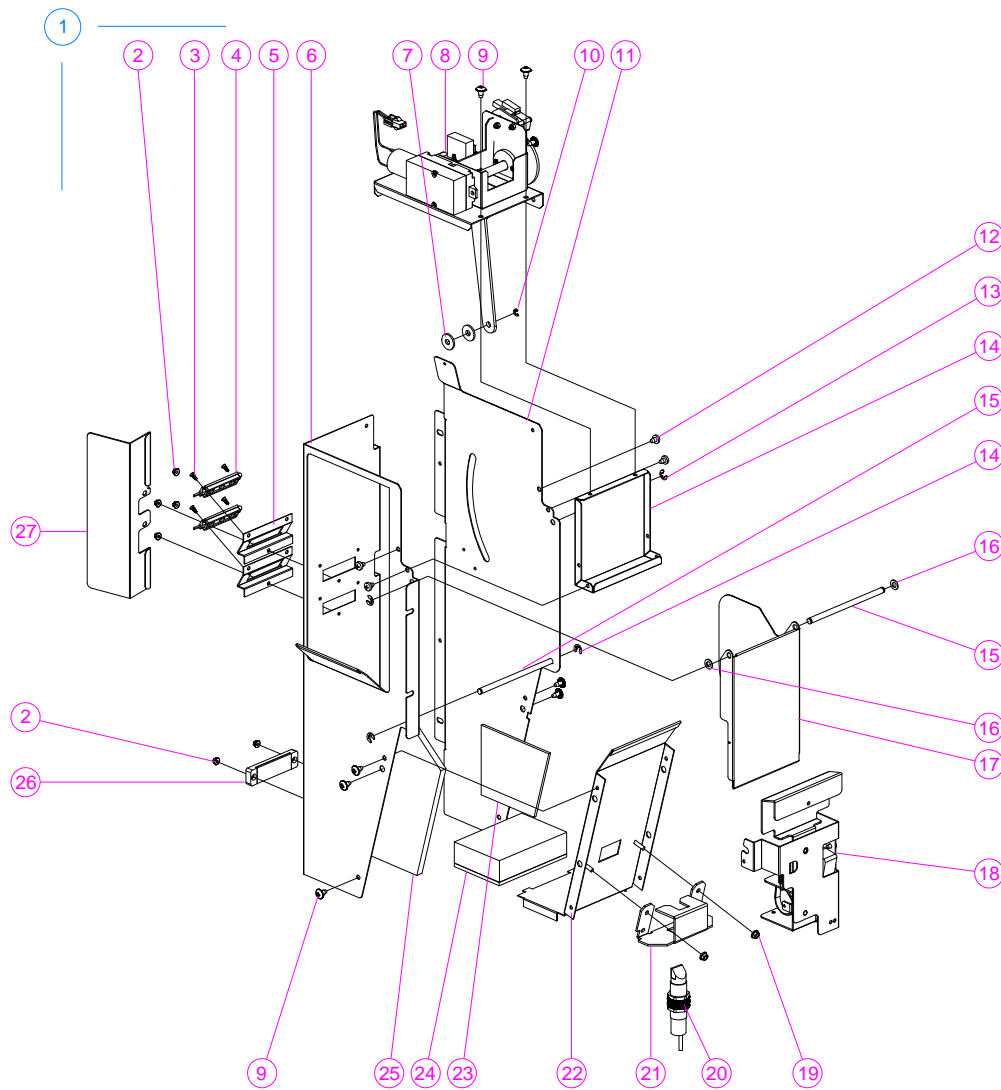
Pos	Code	Description	Serial Number Nota
22	V800565	SCREW T1+4,2X6,5 S.POINT	
23	408175	REFLECTOR RL 112G MD	
24	410254/1	COINAGE BUTTONS ANTIVANDALISM	



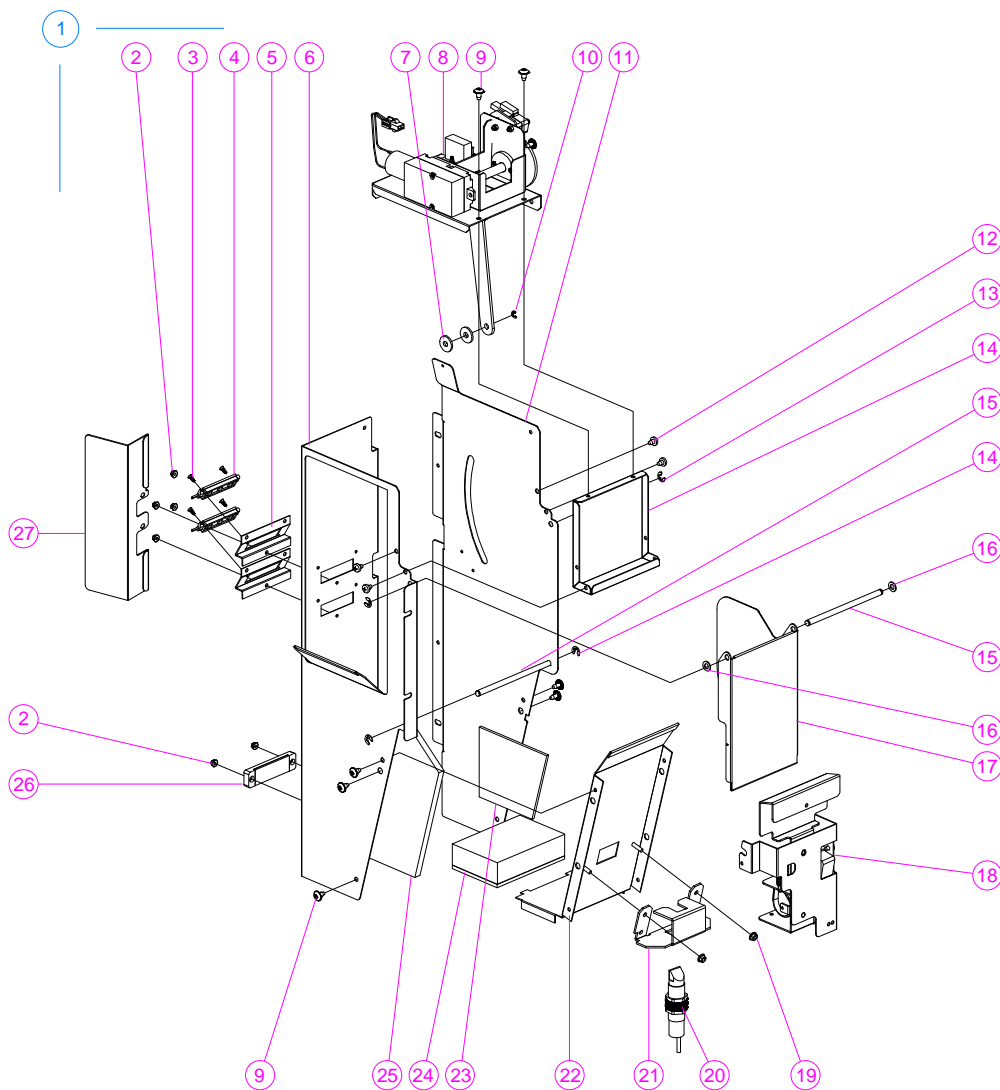
Pos	Code	Description	Serial Number Nota
1	143962	UPPER FLAP ASSY	2614003787 - ZZZZZZZZZ
2	381603/6	SCREW 2,9x32	
3	392095	MICRO SW.AM51615C73MAT	
4	392062	MICRO SW.AM51612C53NAT	
5	413065	UPPER SWITCH SUPPORT FLAP	
6	390058/3	SELF-BLOCKING NUT M3	
7	138298/3	REDUCE MOTOR FOR SHUTTER	
8	412846	UPPER FLAP	
9	401489	RELE BOARD	
10	371109/3	SCREW TC+ 3MAX16	
11	412845	FLAP LEVER	
12	412844	MICRO FLAP CAM	
13	371110/14	SCREW 4MAX25	
14	412869	SHAFT, OPENING / CLOSING SHUTTER	
15	390058/1	SELF STOPPING NUT 4MA HIGH	
16	143715	FLAP STOPPER SUPPORT ASSY	
17	143959	STOP LEVER VEND DOOR FLAP WELD ASSY	
18	V800569	SCREW TC+ 4,8x6,5	
19	412525	STOP MOTOR	
20	143788	FLAP STOPPER SUPPORT ASSY	
21	407735	GEARED MOTOR	



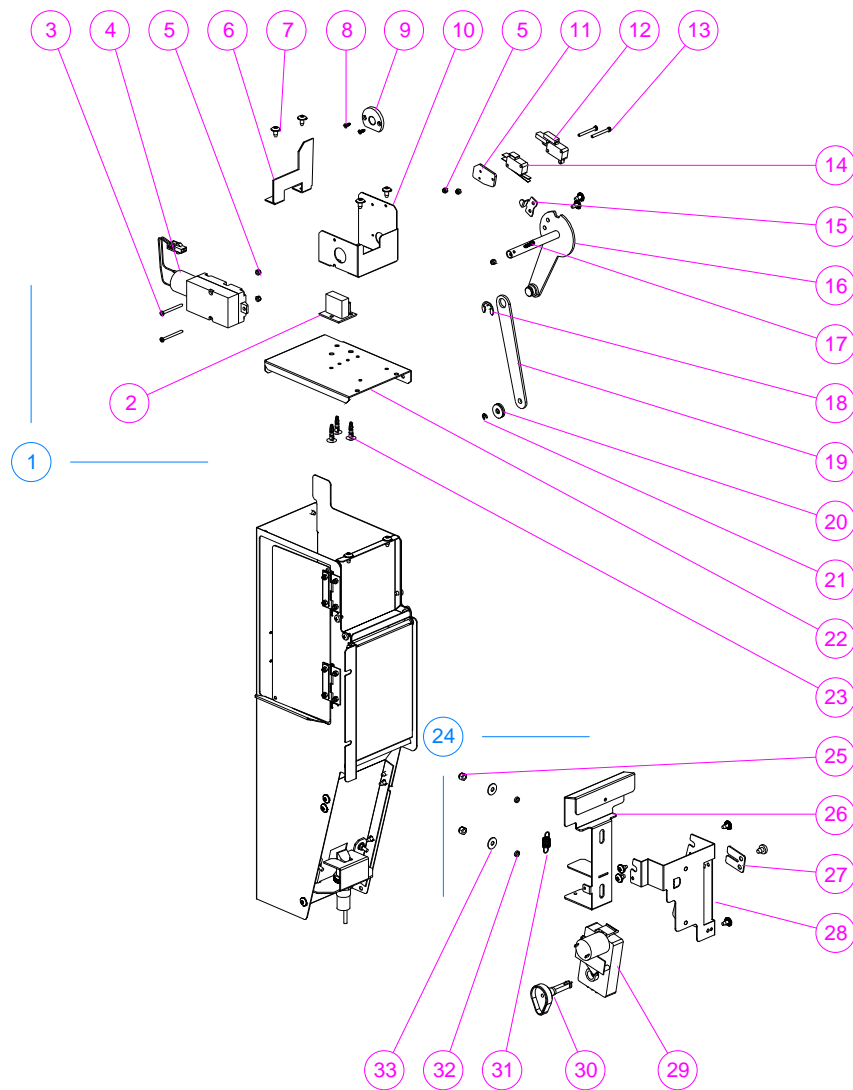
Pos	Code	Description	Serial Number Nota
22	407880	CAM	
23	395450	SPRING	
24	386067/2	BRASS SPACER 5x7x2	
25	31915	FLAT WASHER 5X15X1	
26	390058/2	SELF-BLOCKING NUT 5MA	



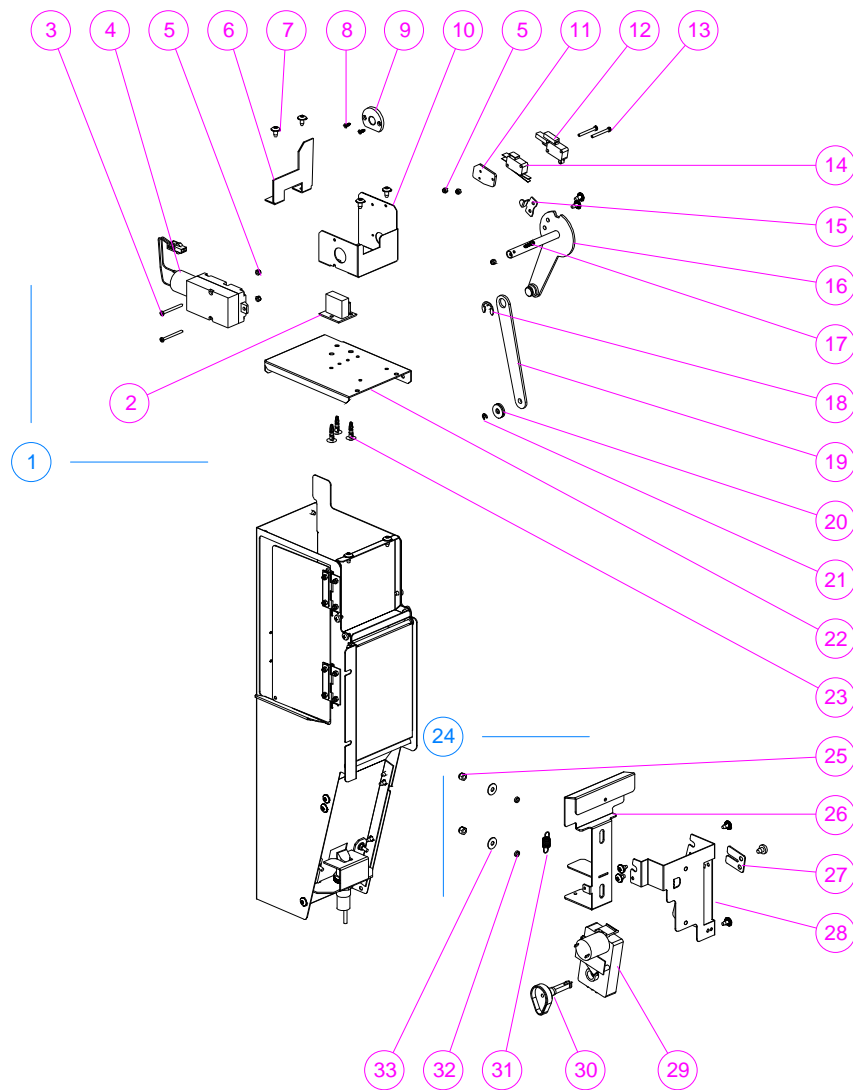
Pos	Code	Description	Serial Number Nota
1	143221	FLAP ASSY	0000000000 - 2613002871
2	398224	NUT, FLANGED 3MA MILLED	
3	381603/5	SCREW TSP+ 2,9X9,5	
4	408035	LED BOARD	
5	412610	FLAP LED SUPPORT	
6	143338	LH SIDE DRUM RIVET ASSY	
7	381066/3	NYLON WASHER 6,2X18X2	
8		Metal FLAP - Components	Pag. 23 - 24
9	V800570	SCREW T1+4,8X9,5 S.POINT	
10	381442/2	SEEGER Ø4 DIN 6799	
11	412146	FLAP CASING RH	
12	V800569	SCREW TC+ 4,8x6,5	
13	381442/5	SEEGER Ø5 DIN 6799	
14	411857	FRONT DRUM	
15	411766	DOOR ROTATION PIN	
16	411954	DOOR SPACER FLAP	
17	143321	FRONT DOOR DRUM RIVET ASSY	
18		Metal FLAP - Components	Pag. 23 - 24
19	398224/1	NUT, FLANGED 4MA MILLED	
20	408174	FAR/BN-2A MD PHOTOCELL	
21	408157/1	PHOTOCELL SUPPORT	



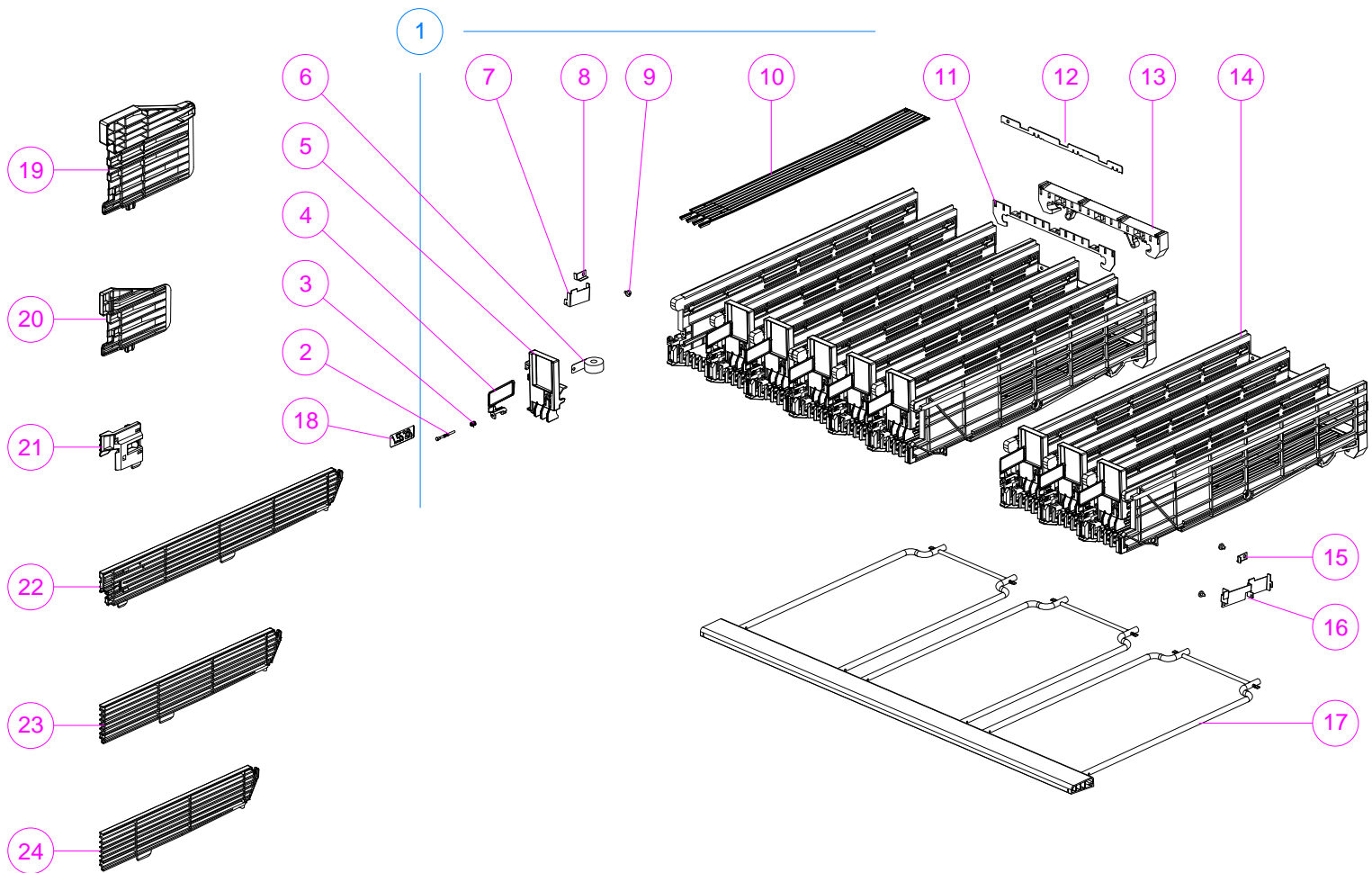
Pos	Code	Description	Serial Number Nota
22	143717	FRONT SUPPORT FLAP RIVET ASSY	
23	413130	FLAP RUBBER SPONGE	
24	413125	FLAP BOTTOM	
25	413126	FLAP RUBBER SPONGE	
26	408175	REFLECTOR RL 112G MD	
27	410254	COINAGE BUTTONS ANTIVANDALISM	Not included in the assembly



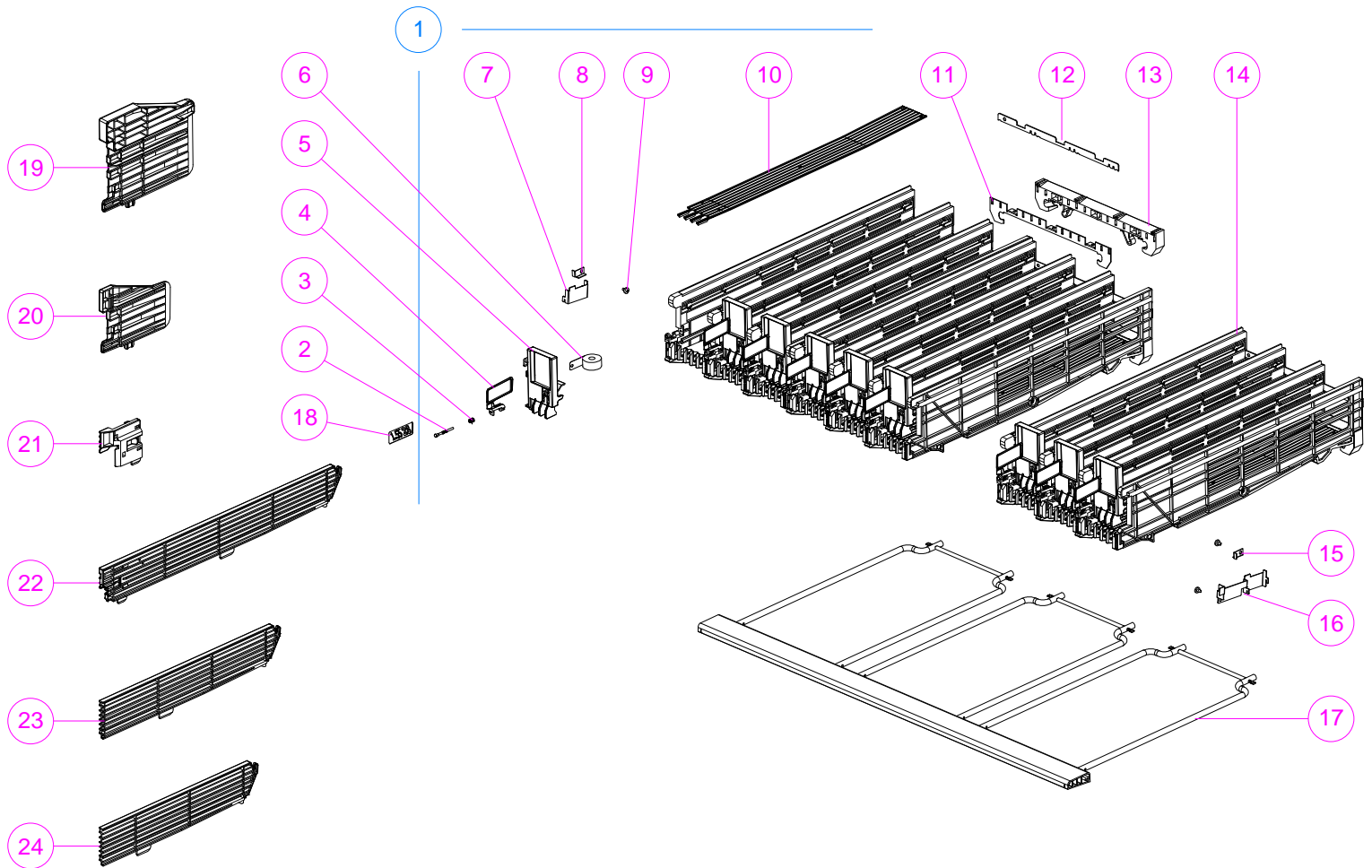
Pos	Code	Description	Serial Number Nota
1	143899	UPPER FLAP ASSY	0000000000 - 2613002871
2	401489	RELE BOARD	
3	371109/14	SCREW TC+ 3MAX35	
4	138298/3	REDUCE MOTOR FOR SHUTTER	
5	390058/3	SELF-BLOCKING NUT M3	
6	412859	FLAP MOTOR REINFORCEMENT	
7	V800570	SCREW T1+4,8X9,5 S.POINT	
8	381603/5	SCREW TSP+ 2,9X9,5	
9	399693	HINGE COMPASS	
10	412754	MOTOR SUPPORT FLAP	
11	340025/4	SWITCH INSULATOR	
12	392095	MICRO SW.AM51615C73MAT	
13	371109/8	SCREW TSP+ 3MAX30	
14	392062	MICRO SW.AM51612C53NAT	
15	404743	CAM STIRRUP	
16	143213/1	FLAP CAM WELD ASSY	
17	371109/3	SCREW TC+ 3MAX16	
18	V801084	SEEGER	
19	411767	LEVER FOR MICRO	
20	381066/3	NYLON WASHER 6,2X18X2	Not included in the assembly
21	381442/2	SEEGER Ø4 DIN 6799	Not included in the assembly



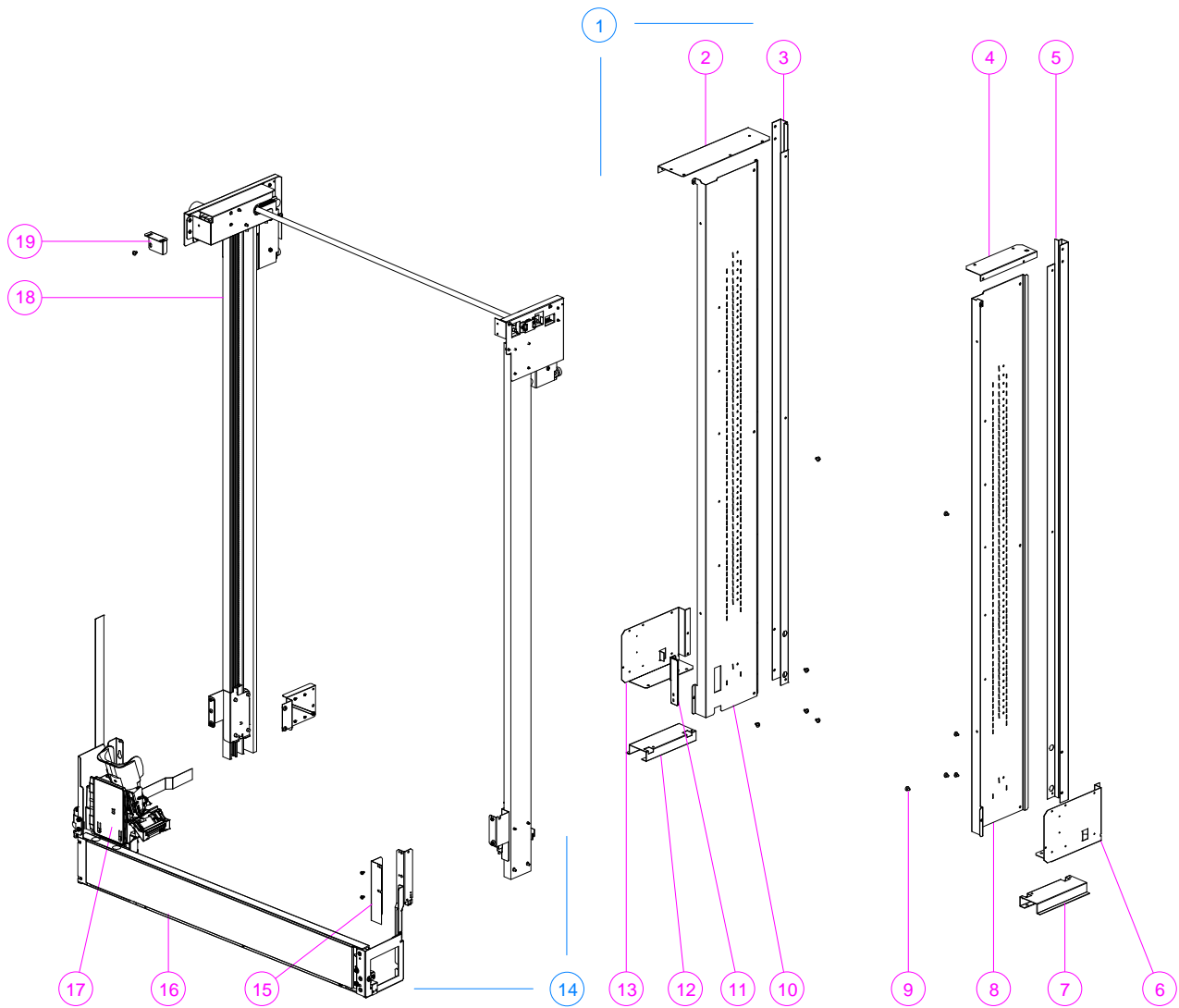
Pos	Code	Description	Serial Number Nota
22	412755	UPPER FLAP	
23	386348/1	BOARD RETAINER SUPPORT	
24	143715	FLAP STOPPER SUPPORT ASSY	
25	390058/2	SELF-BLOCKING NUT 5MA	
26	143959	STOP LEVER VEND DOOR FLAP WELD ASSY	
27	412525	STOP MOTOR	
28	143788	FLAP STOPPER SUPPORT ASSY	
29	407735	GEARED MOTOR	
30	407880	CAM	
31	395450	SPRING	
32	386067/5	BRASS SPACER 5x7x2.5	
33	31915	FLAT WASHER 5X15X1	



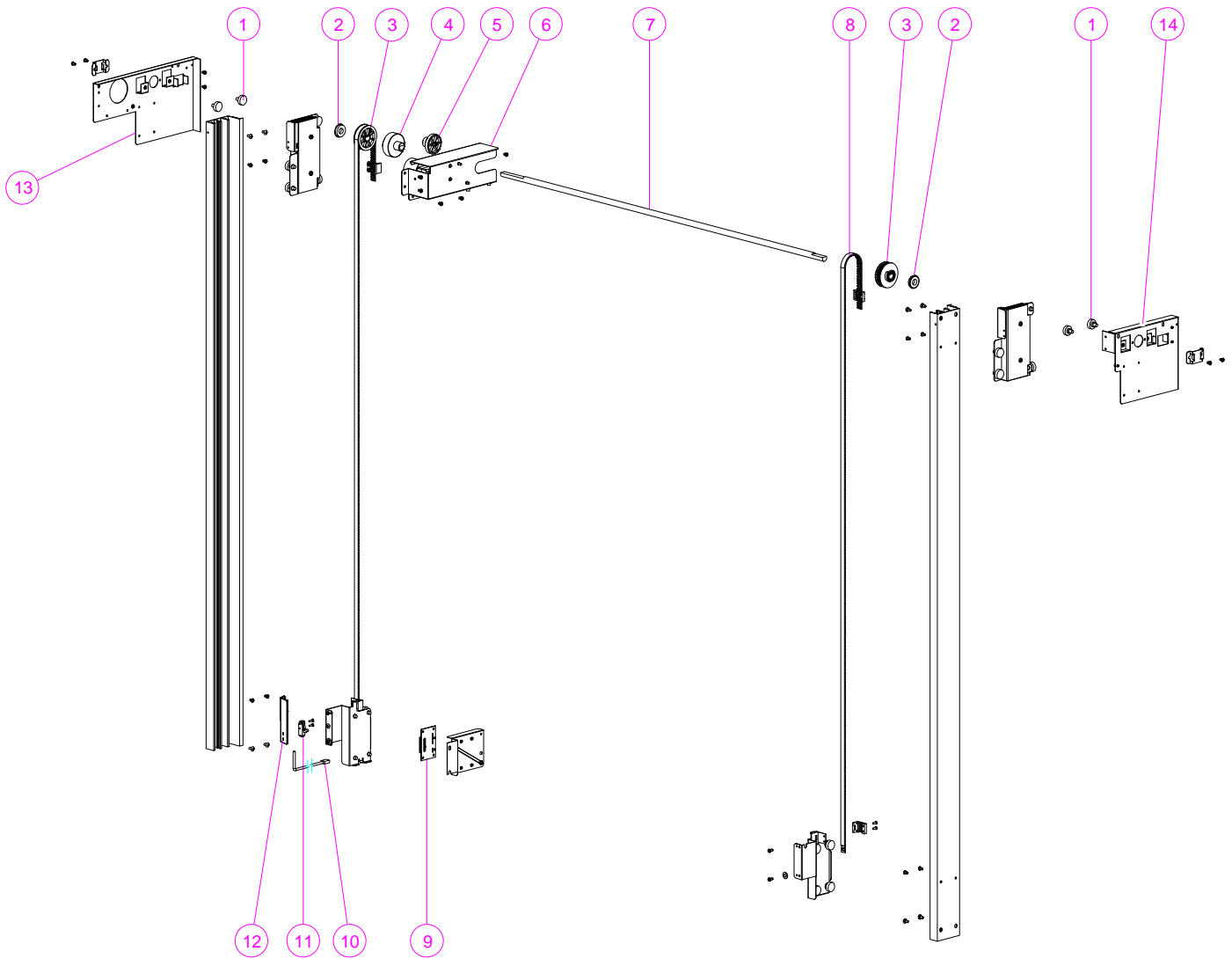
Pos	Code	Description	Serial Number Nota
1	141117	STD SHELF ASSY	
2	408557	PIVOT PIN GATE	
3	408556	TORSION SPRING GATE	
4	408555	PRODUCT GATE	
5	408489	PUSHER TRAY	
6	408488	VARIABLE SPG. PUSHER TRAY	
7	406552/1	LH SHELF SUPPORT	
8	406561	LH SHELF STOPPER	
9	V800569	SCREW TC+ 4,8x6,5	
10	408554	PRODUCT SLIDER	
11	408551	STIFFENER TRAY	
12	408550	STIFFENER COLUMN	
13	408549	COLUMN BACK	
14	141098	TRAY ASSY	
15	406561/1	RH SHELF STOPPER	
16	406556	RH SHELF SUPPORT	
17	141101	SHELF ASSY	
18	407752/2	SELECTION LABEL [11, 12, 13, ...19]	
18	407752/3	SELECTION LABEL [10, 20, 30, ...70]	
18	407753	1 PRICES LAYOUT LABEL	
18	407753/1	2 PRICES LAYOUT LABEL	



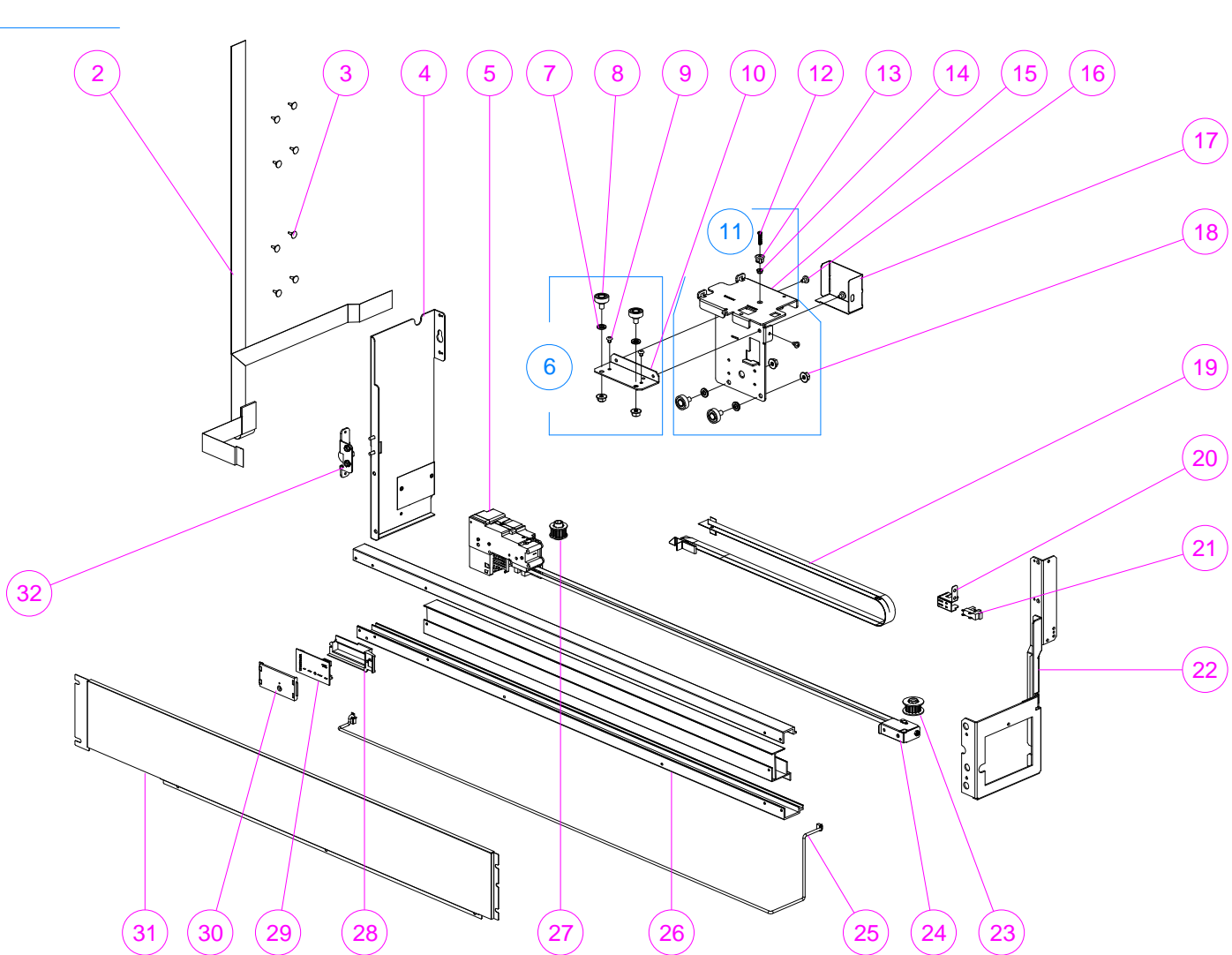
Pos	Code	Description	Serial Number Nota
18	407753/2	PRICES LABEL [8,88 white background]	
18	407753/3	3 PRICES LAYOUT LABEL	
19	408654	PRODUCT STABILIZER (HIGHT)	
20	407851	PRODUCT STABILIZER	
21	407853	SPACER B	
22	407852	SPACER A	
23	407852/1	SPACER A1	
24	407852/2	SPACER A2	



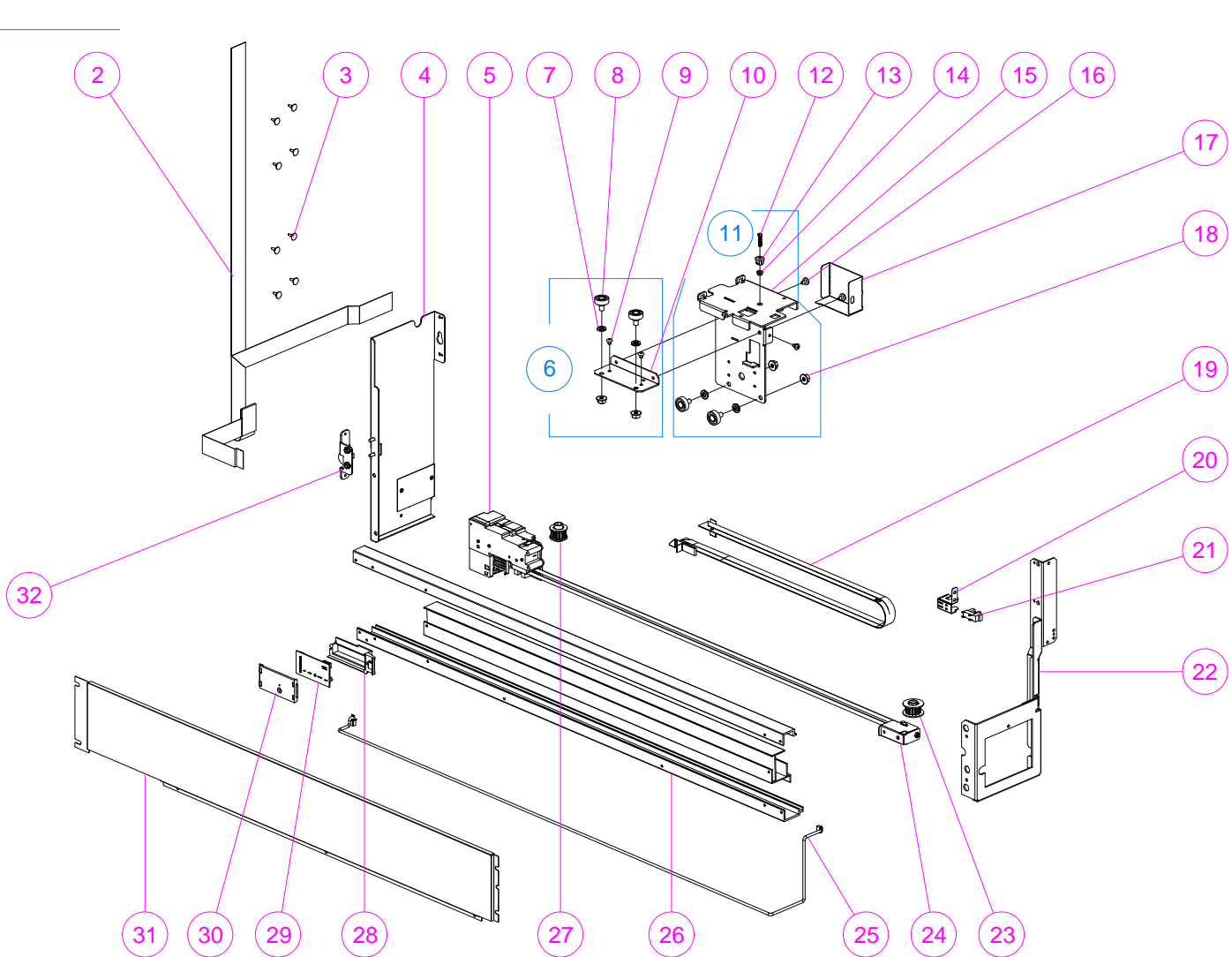
Pos	Code	Description	Serial Number Nota
1	141551	Y UNIT ASSY	
2	407262	LH Y ASSY UPPER RETAINER	
3	408435/1	LH Y ASSY VERTICAL SUPPORT	
4	407258	RH Y ASSY UPPER RETAINER	
5	408435	RH Y ASSY VERTICAL SUPPORT	
6	408432/1	RH Y GUIDE BASE	
7	408539/1	EXTENSION Y RH	Not included in the assembly
8	408434	RIGHT Y GUIDE SUPPORT	0000000000 - 2712002222
8	410028	RIGHT Y GUIDE SUPPORT	2713003258 - ZZZZZZZZZZ
9	V800569	SCREW TC+ 4,8x6,5	
10	408433	LEFT Y GUIDE SUPPORT	0000000000 - 2712002222
10	410029	LEFT Y GUIDE SUPPORT	2713003258 - ZZZZZZZZZZ
11	407721	SWITCH SUPPORT	
12	408539	EXTENSION Y LH	Not included in the assembly
13	408432	LH Y GUIDE BASE	
14	141610	ELEVATOR HIGH 9 SELECTION	
15	408647	OPTICAL SENSOR COVER	
16		X Movement	Pag. 29 - 30
17		Bucket Assy	Pag. 31
18		Y Unit Assy	Pag. 28
19	407950	Y MOTOR RETAINER	



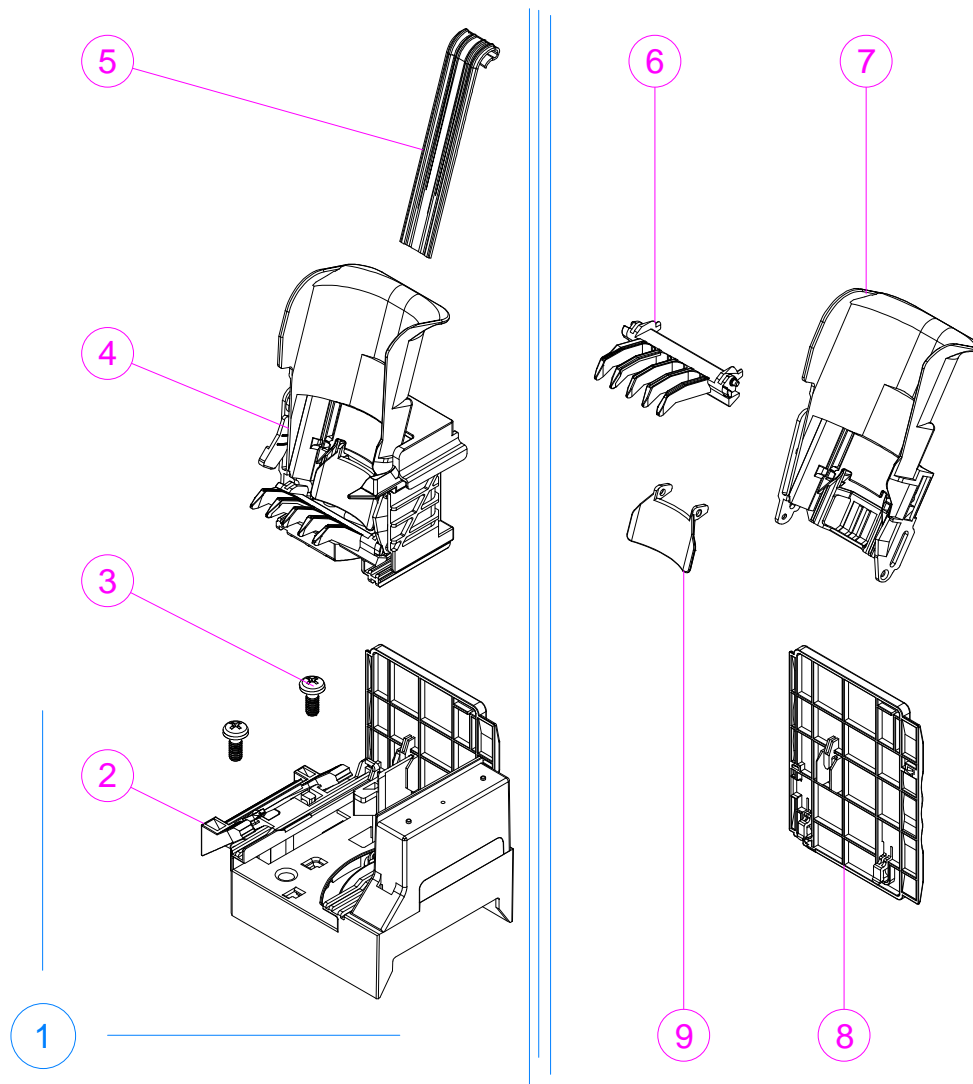
Pos	Code	Description	Serial Number Nota
1	408171	BEARING	
2	408170	BALL BEARING	
3	408163	GEAR WHEEL FOR Y MOTOR	
4	408162	DENTED GEAR FOR Y MOTOR	
5	408164	GEAR FOR MOTOR "Y"	
6	141376	DRIVE MOTOR ASSY , Y AXIS	
7	408172	SHAFT Y AXIS (9F)	
8	408535	BELT	
9	141371	BOARD ASSY, X	
10	141367	HARNESS Y ORIGIN	
11	408168	SWITCH HOME "Y"	
12	407721	SWITCH SUPPORT	
13	410570	MOTOR SUPPORT Y	
14	409837	RH MOTOR SUPPORT	



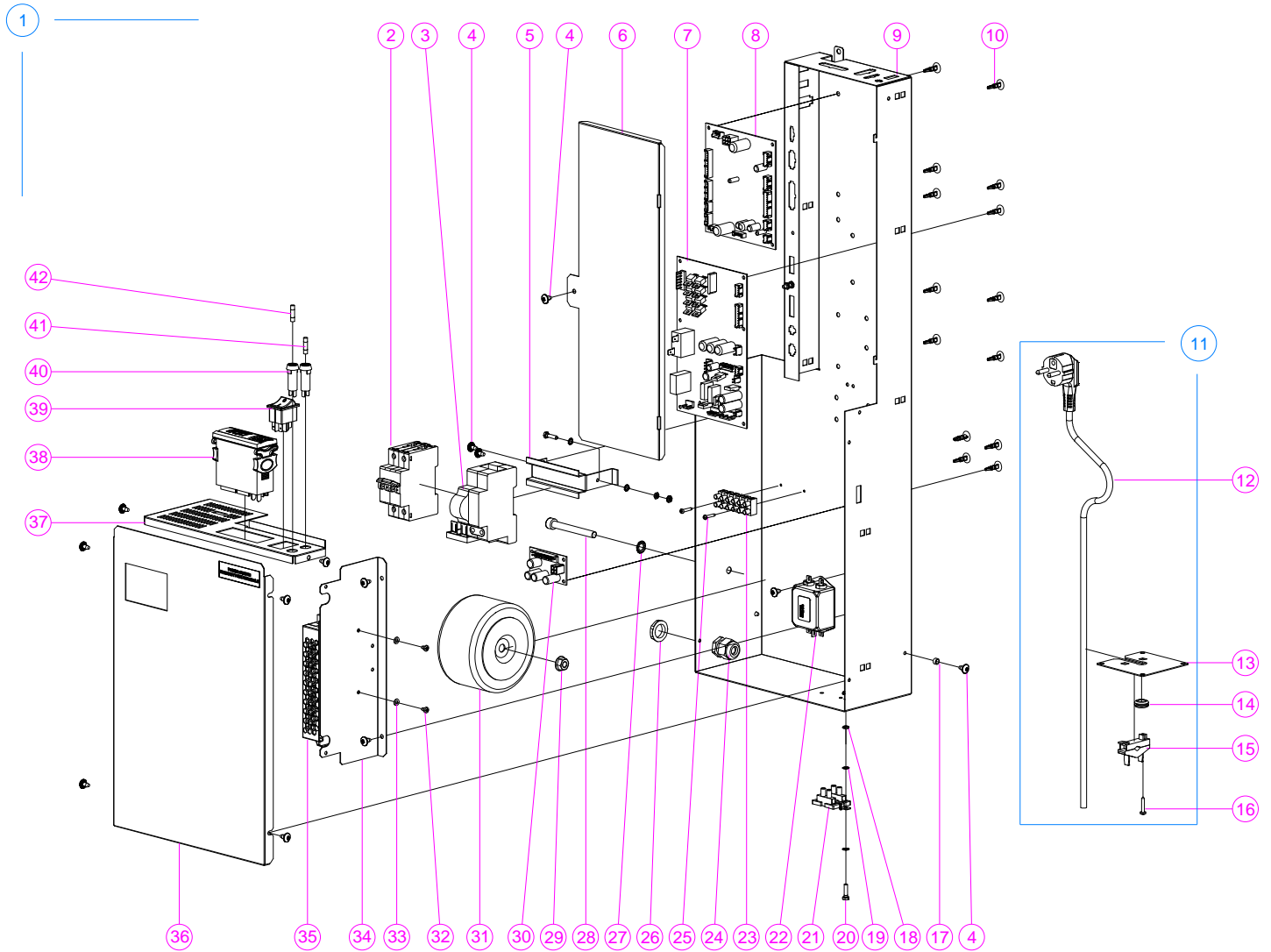
Pos	Code	Description	Serial Number Nota
1	144314	"X" VERTICAL 9 FACE ASSEMBLY	
2	144407	FLAT CABLE ASSY, Y AXIS VERTICAL	
3	404306	CANOE CLIPS	
4	412357	LEFT SIDE X AXIS	
5	141375	DRIVE MOTOR ASSY, X AXIS 9F (with belt)	
6	141889	WHEELS SUPPORT ASSY	
7	381228/1	WASHER	
8	408171	BEARING	
9	411785	RIVET FOR FLAT CABLE	
10	412502	WHEEL SUPPORT	
11	141890	BUCKET SUPPORT ASSY	
12	371109/3	SCREW TC+ 3MAX16	
13	323005	SNAP IN NUT	
14	398224	NUT, FLANGED 3MA MILLED	
15	142391	BUCKET SUPPORT WELD ASSY	
16	V800569	SCREW TC+ 4,8x6,5	
17	412867	BOARD PROTECTION	
18	398224/3	NUT, FLANGED 6MA MILLED	
19	141364	FLAT CABLE ASSY, X AXIS (9F)	
20	408173	SENSOR HOLDER, RT	
21	408169	SENSORE "Y"	



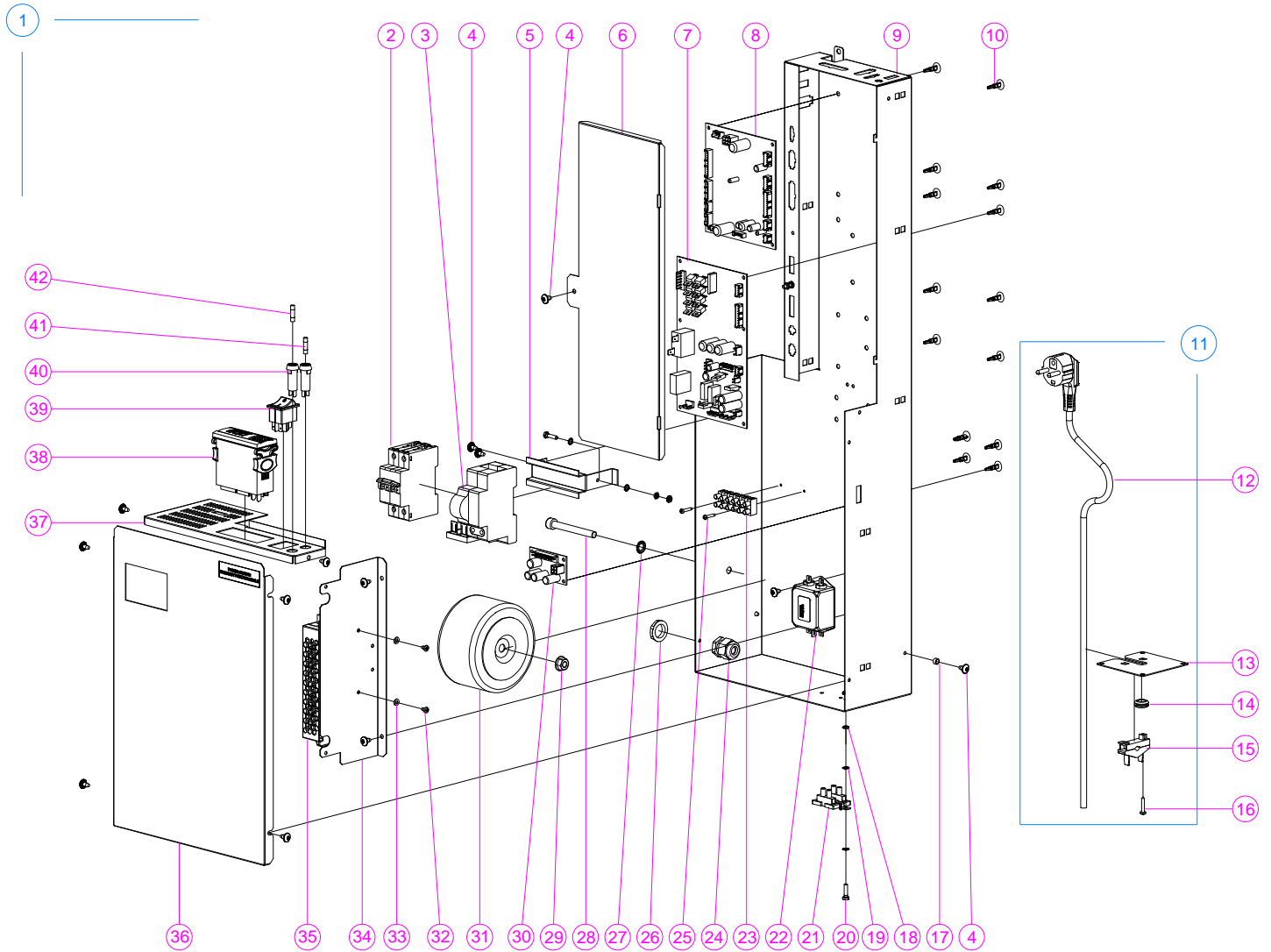
Pos	Code	Description	Serial Number Nota
22	144380	X AXIS RH SIDE WELD ASSY	
23	410740	POOLY J-14S3M7	
24	408165	BELT	
25	141366	HARNESS, SHELF SENSE SW (9F)	
26	413639	X PROFILE 886.5mm	
27	408603	POOLY, K-14S3M7	
28	144305	TOP BOARD COVER	
29	141374	TERMINAL BOARD ASSY "X"	
30	410250	BOTTOM BOARD COVER	
31	412865	X AXIS FRONT COVER	
32	141671	WHEEL AXLE X ASSEMBLY	Not included in the assembly



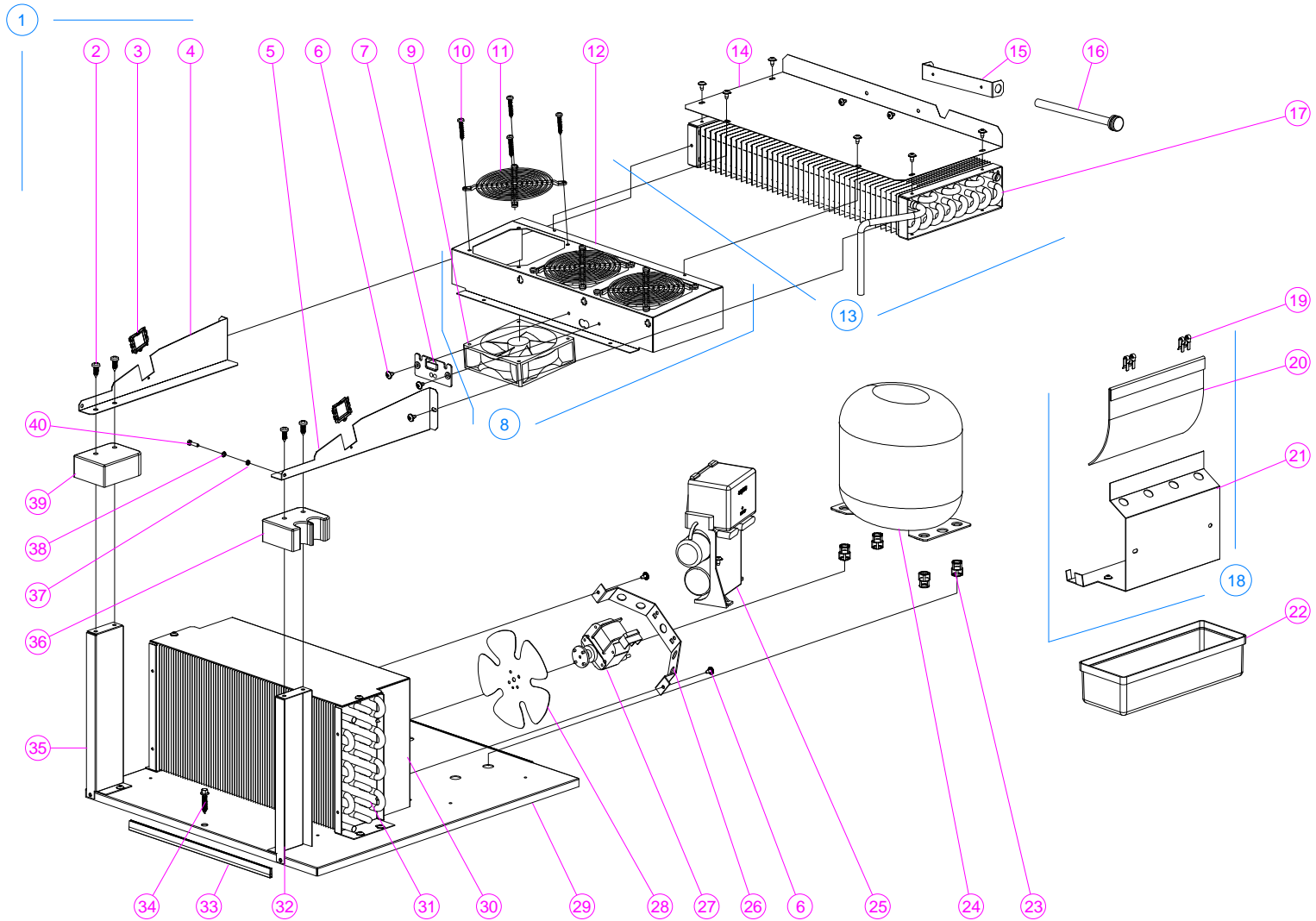
Pos	Code	Description	Serial Number Nota
1	141099	FLM ASSY	
2	141373	BUCKET BASE WITH MOTOR ASSY	
3	371110/1	SCREW, TC+4MAX10	
4	141372	BUCKET ASSY	
5	412375	SLIDE PRODUCTS	Not included in the assembly
6	408160	FORK	
7	408159	BUCKET	
8	408161	PANEL BUCKET	
9	413983	DELIVERY ASSISTANCE	Included inside of p/n 141372



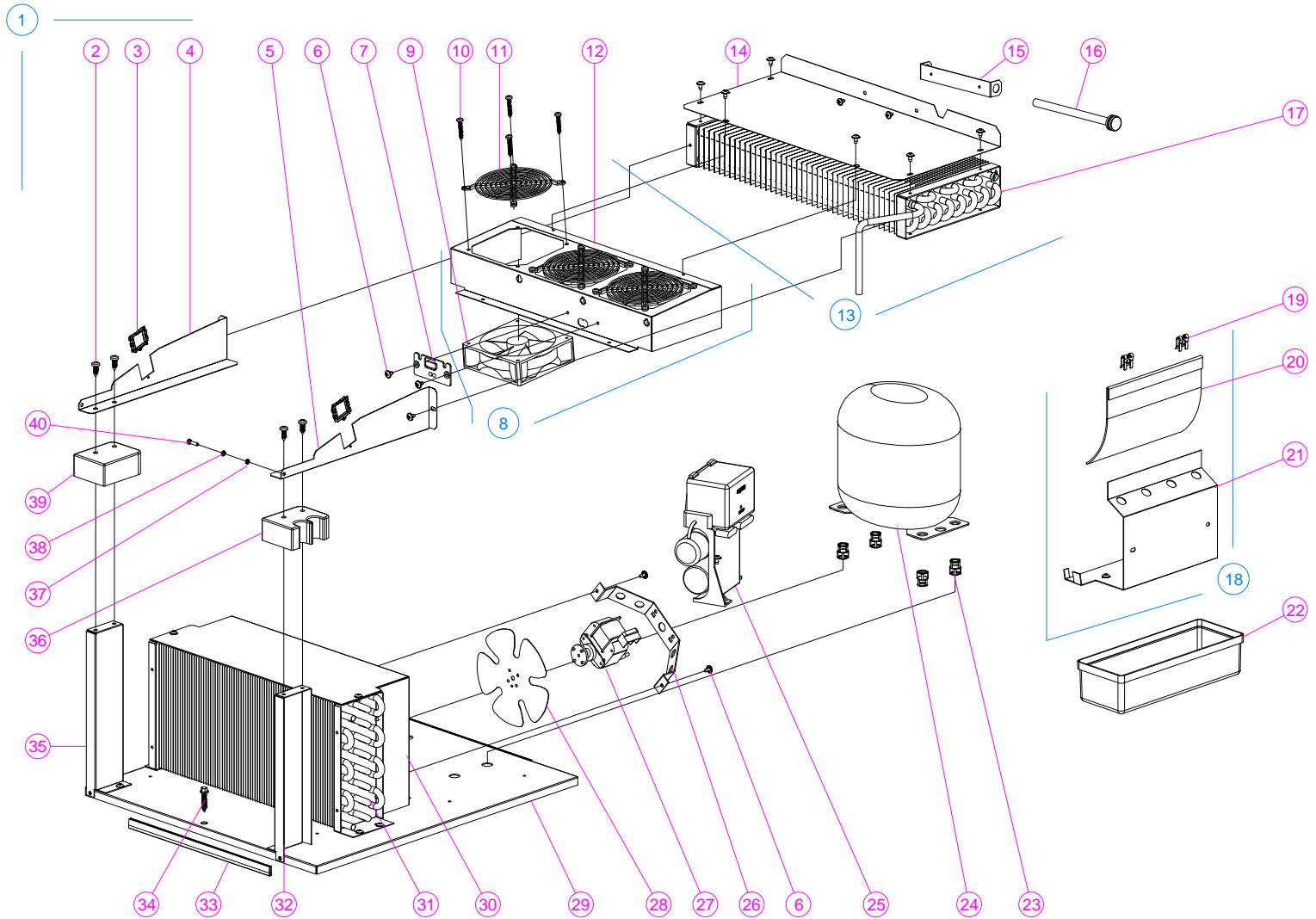
Pos	Code	Description	Serial Number Nota
1	144163	OD STD DL BOX TRANSFORMER ASSY	
2	408844	CIRCUIT BRACKER (MCB) 25A	
3	408845	RESIDUAL-CURRENT DEVICE (RCD) AC 2P32A30mA	
4	V800570	SCREW T1+4,8X9,5 S.POINT	
5	413167	MAGNETOTHERMIC SUPPORT	
6	412151	BOARD COVER	
7	407731	RELAYS BOARD SRB-1JGF01A-JC	
8	407732	SLAVE CONTROLLER SVC-1JGF63ACH	
9	411967/1	BOX TRANSFORMER	
10	386348/1	BOARD RETAINER SUPPORT	
11	141388/4	STD-OD SERVICE CORD ASSEMBLY	
12	520044/17	SERVICE CORD	
13	408146	SERVICE CORD PLATE	
14	408200	THREAD RING GUIDE	
15	408201	CABLE GRAND	
16	390558/1	SCREW 3,9 X 18	
17	386067	BRASS SPACER 5x7x3.9	
18	381644	BRASS NUT M4	
19	V801039	WASHER D.E. 4X8	
20	381643	SCREW TE 4MAx16 BRASS	
21	391032	TERMINAL BOARD	



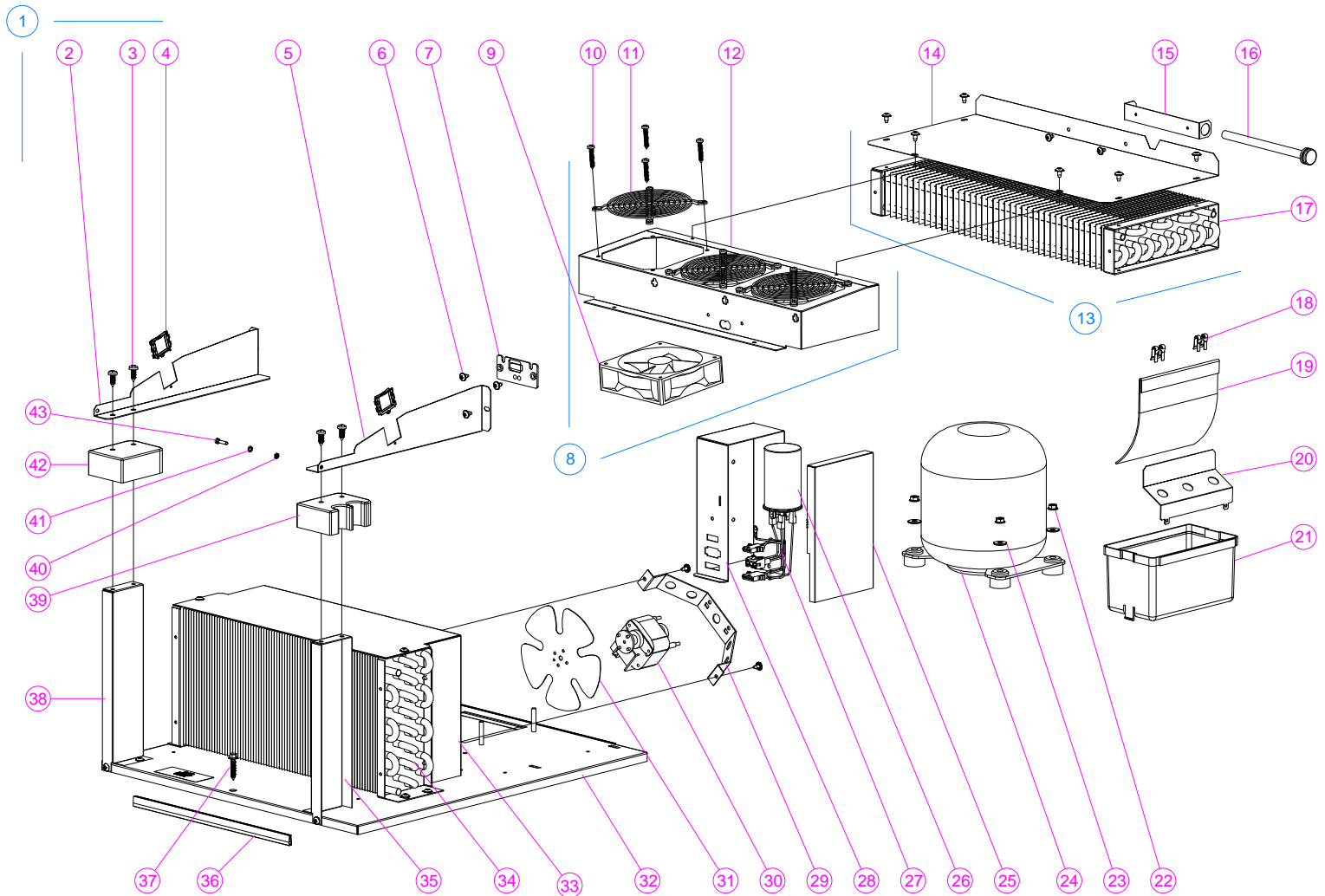
Pos	Code	Description	Serial Number Nota
22	408912	FILTER SCHAFFNER FN2060-6-06	
23	381954	TERMINAL BOARD 6 WAYS	
24	391990	CABLE LOCK HEYCO 3213	
25	381603/9	SCREW TC+ 2,9X16 WITHOUT TIPS	
26	391990/1	RING NUT 3213/B	
27	371114	WASHER D.E.8MA	
28	399947	SCREW TCEI 8MAX70	
29	398224/4	NUT, FLANGED 8MA MILLED	
30	408724	CONTROLLER VOLTAGE BOARD	
31	411160	TRANSFORMER 230V 150VA 48V	
32	V801441	SCREW T1/2T 3,5X6,5	
33	V801440	WASHER	
34	412380	BOX TRANSFORMER DIVIDER	
35	413925	POWER SWITCHING LRS-150F-24	2612000872 - ZZZZZZZZZZ With the old model you need to order the updated support p/n 412380
36	412153/1	POWER SWITCH COVER	
37	412154/1	FUSE AND PUSH-BUTTON SUPPORT	
38	141758	GF6-GF9 CONTROL UNIT ASSY	
39	392627	LIGHT SWITCH	
40	395158	FUSE CARRIER	
41	386916/8	FUSE 5 X 20 10A	
42	386916/6	FUSE 5 X 20 3A	2511000140 - ZZZZZZZZZZ



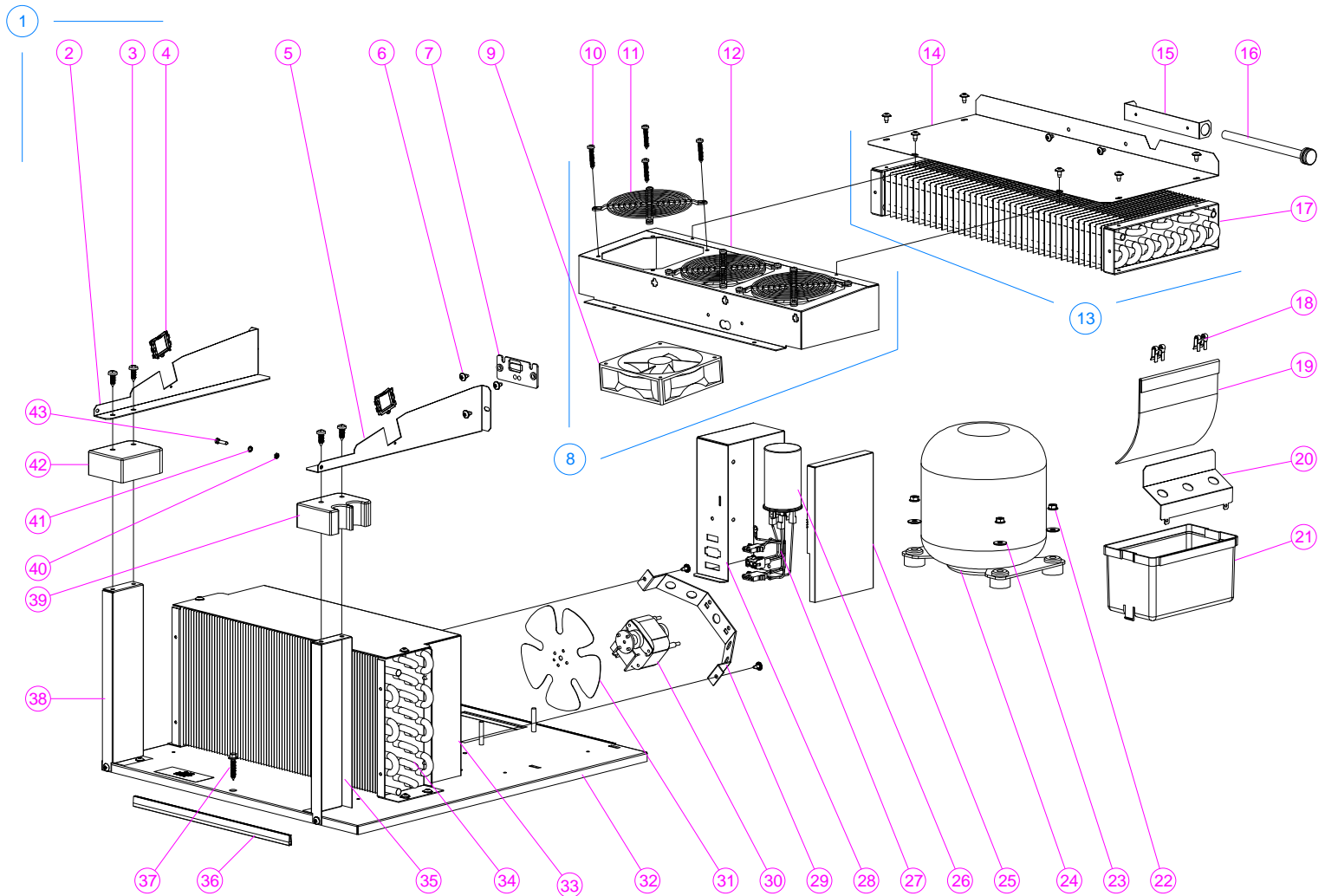
Pos	Code	Description	Serial Number Nota
1	143904/1	OD COOLING UNIT INSTALLATION ASSY	
2	V800876	SCREW T1/2T+ 6,3X19	
3	408977	CABLE FASTNER	
4	408015/1	LH EVAPORATOR SUPPORT	
5	408015	RH EVAPORATOR SUPPORT	
6	V800570	SCREW T1+4,8X9,5 S.POINT	
7	404450	PROBE SUPPORT	
8	141353	FAN MOTOR ASSY	
9	407972	EVAPORATOR MOTOR FAN WIRED	
10	392337/1	SCREW TC+ 4,8X32	
11	405734/1	FAN MOTORS GRID Ø120mm	
12	408138	FAN MOTOR SUPPORT	
13	140927	EVAPORATOR ASSEMBLY	
14	407080	AIR CONVEYOR	
15	408941	SUPPORT RESISTANCE WIRED	Not included in the assembly p/n140927
16	402575/2	SELF-RESISTANCE TYPE 3	Not included in the assembly p/n140927
17	403926/1	EVAPORATOR	
18	138766	ASSORBENT ASSY	
19	400365	ASSORBENT CLIP	
20	396817	ASSORBENT SPONGE	
21	401731	ASSORBENT STRAP	
22			
23			
24			
25			
26			
27			
28			
29			
30			
31			
32			
33			
34			
35			
36			
37			
38			
39			
40			



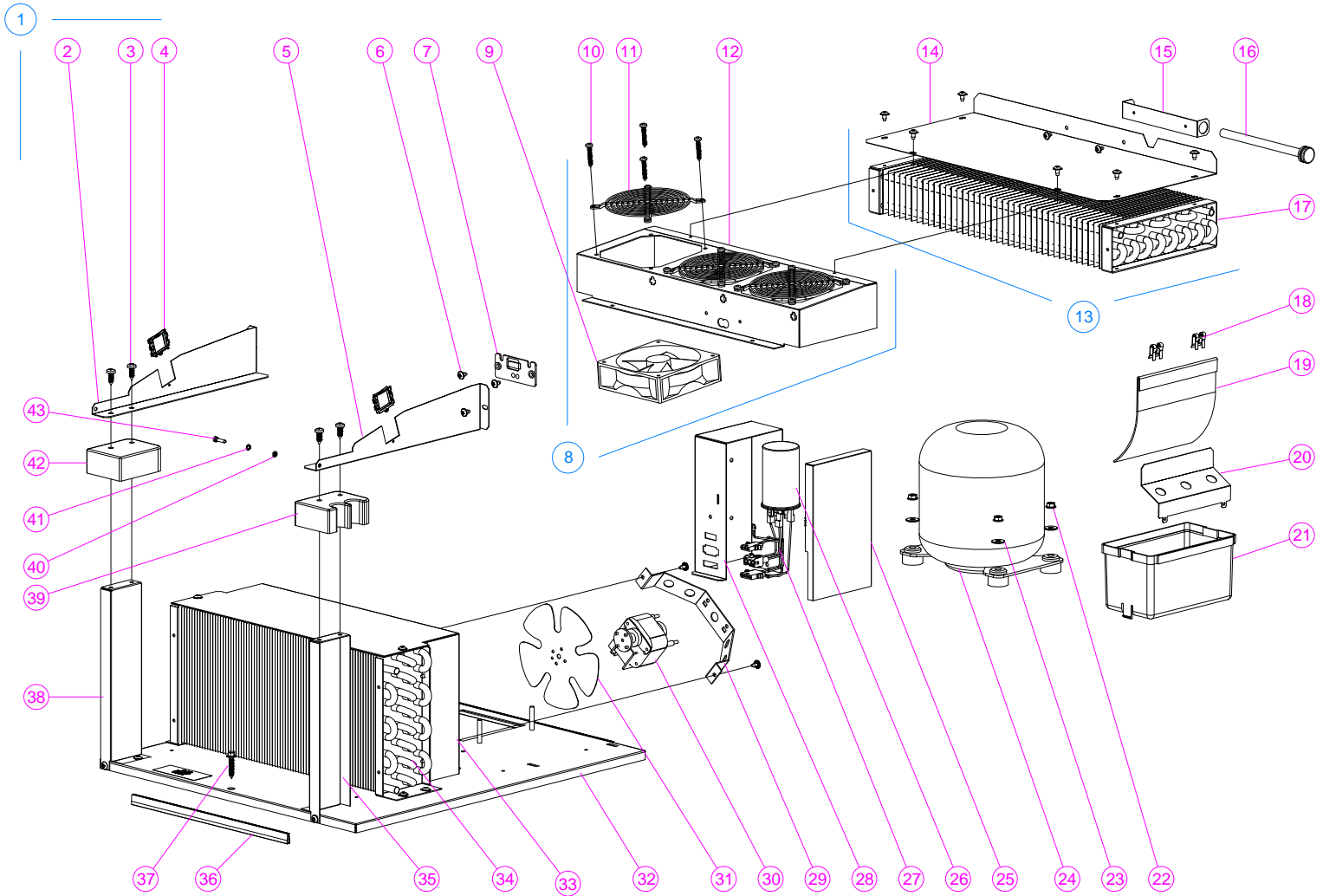
Pos	Code	Description	Serial Number Nota
22	401457	CONDENSER BOX	
23	411609	SPIDER LOCK	
24	404972	NE9213GK ASPERA COMPRESSOR	
25	412024	BOX ELETTR. COMPR. NE9213GK 50Hz	
26	391523/2	MOTOR FAN BRACKET	
27	391590/5	FAN MOTOR P30	
28	391591/3	SUCTION ALUMINIUM FAN BLADE	
29	407266/1	REFRIGERANT SYSTEM BASE	
30	408420	CONDENSER AIR CONVEYOR	
31	403392	CONDENSER	
32	413805	REFRIGERATION SYSTEM VERTICAL SUPPORT RH	
33	386430/20	U WHITE PROFILE MM.300	
34	386718	SCREW 6,3x32	
35	413805/1	REFRIGERATION SYSTEM VERTICAL SUPPORT LH	
36	405214	BUFFER IN PLASTIC WITH TWO CAVE	
37	405214/2	BUFFER IN PLASTIC WITHOUT CAVE	
38	381644	BRASS NUT M4	
39	V801039	WASHER D.E. 4X8	
40	381643	SCREW TE 4MAx16 BRASS	



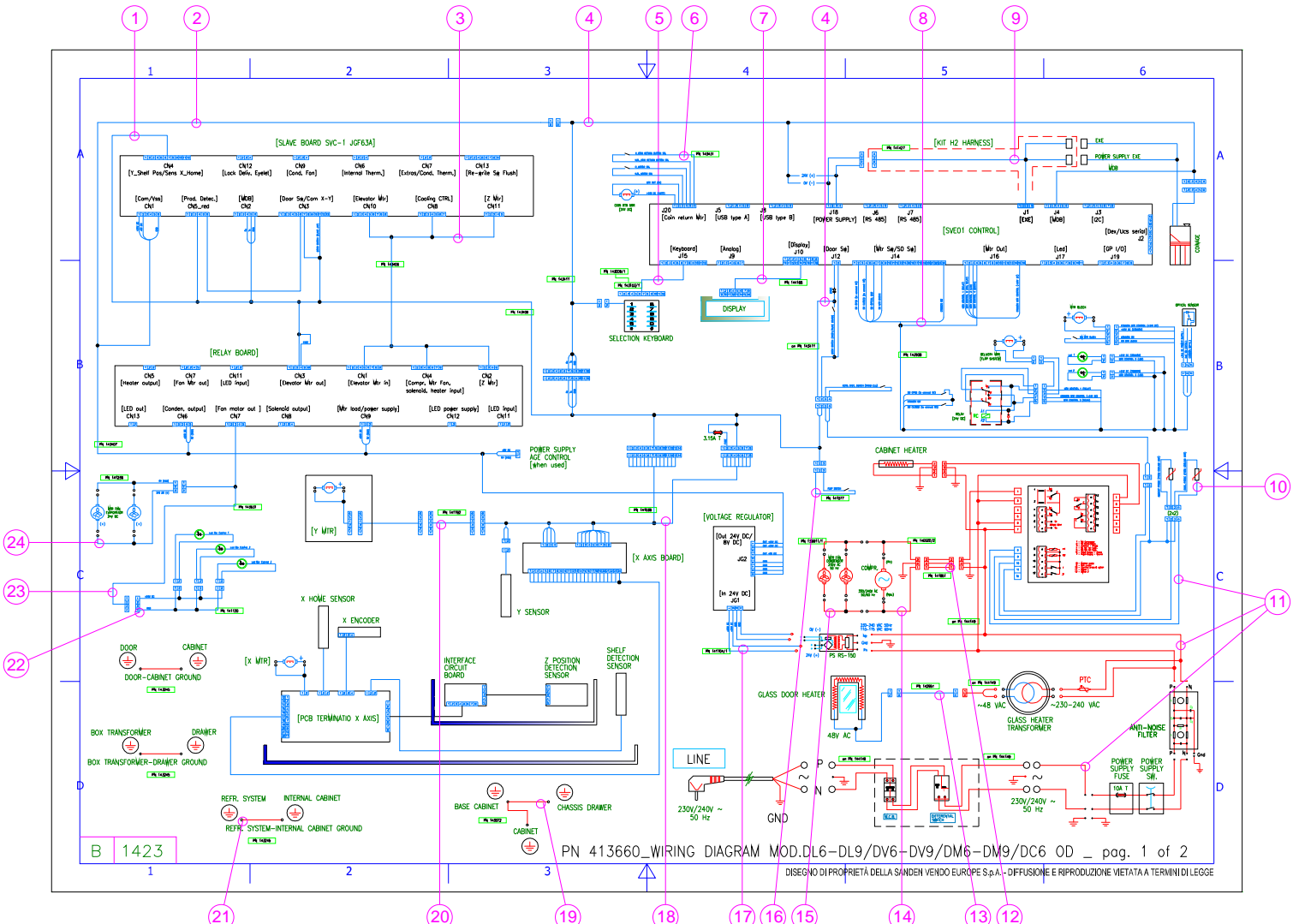
Pos	Code	Description	Serial Number Nota
1	143110/3	CO2OD COOLING UNIT INSTALLATION ASSY	
2	408015/1	LH EVAPORATOR SUPPORT	
3	V800876	SCREW T1/2T+ 6,3X19	
4	408977	CABLE FASTNER	
5	408015	RH EVAPORATOR SUPPORT	
6	V800570	SCREW T1+4,8X9,5 S.POINT	
7	404450	PROBE SUPPORT	
8	141353	FAN MOTOR ASSY	
9	407972	EVAPORATOR MOTOR FAN WIRED	
10	392337/1	SCREW TC+ 4,8X32	
11	405734/1	FAN MOTORS GRID Ø120mm	
12	408138	FAN MOTOR SUPPORT	
13	143111	CO2 EVAPORATOR ASSEMBLY	
14	407080	AIR CONVEYOR	
15	408941	SUPPORT RESISTANCE WIRED	Not included in the assembly p/n143111
16	402575/2	SELF-RESISTANCE TYPE 3	Not included in the assembly p/n143111
17	408621	CO2 EVAPORATOR	
18	400365	ASSORBENT CLIP	
19	396817	ASSORBENT SPONGE	
20	411163	ASSORBENT STRAP	
21	411109	CONDENSER BOX	



Pos	Code	Description	Serial Number Nota
22	398224/3	NUT, FLANGED 6MA MILLED	
23	38148	FLAT WASHER 6X18X1.5	
24	413687	COMPRESSOR SRcBCA6439	
25	413793	COVER CAPACITOR BOX	
26	410734	CAPACITOR FOR COMPRESSOR SRcBCA6439	
27	143109	CO2 CAPACITOR / STARTING HARNESS	
28	413792	CAPACITOR BOX	
29	391523/2	MOTOR FAN BRACKET	
30	391590/5	FAN MOTOR P30	
31	391591/3	SUCTION ALUMINIUM FAN BLADE	
32	144461	REFRIGERAN UNIT BASE ASSY	
33	408420	CONDENSER AIR CONVEYOR	
34	408622	CO2 CONDENSER	
35	413805	REFRIGERATION SYSTEM VERTICAL SUPPORT RH	
36	386430/20	U WHITE PROFILE MM.300	
37	386718	SCREW 6,3x32	
38	413805/1	REFRIGERATION SYSTEM VERTICAL SUPPORT LH	
39	405214	BUFFER IN PLASTIC WITH TWO CAVE	
40	381644	BRASS NUT M4	
41	V801039	WASHER D.E. 4X8	
42	405214/2	BUFFER IN PLASTIC WITHOUT CAVE	



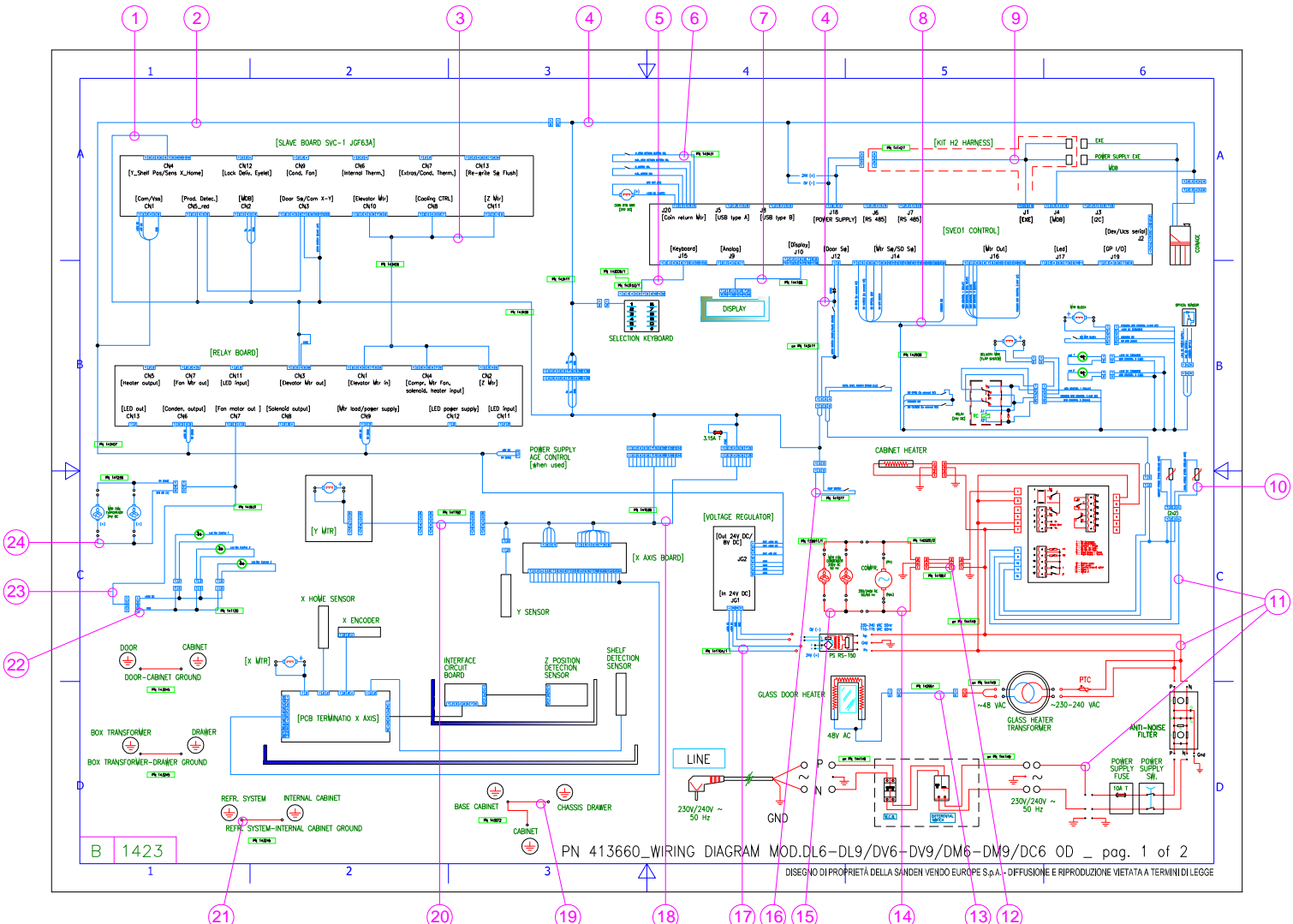
Pos	Code	Description	Serial Number Nota
43	381643	SCREW TE 4Max16 BRASS	



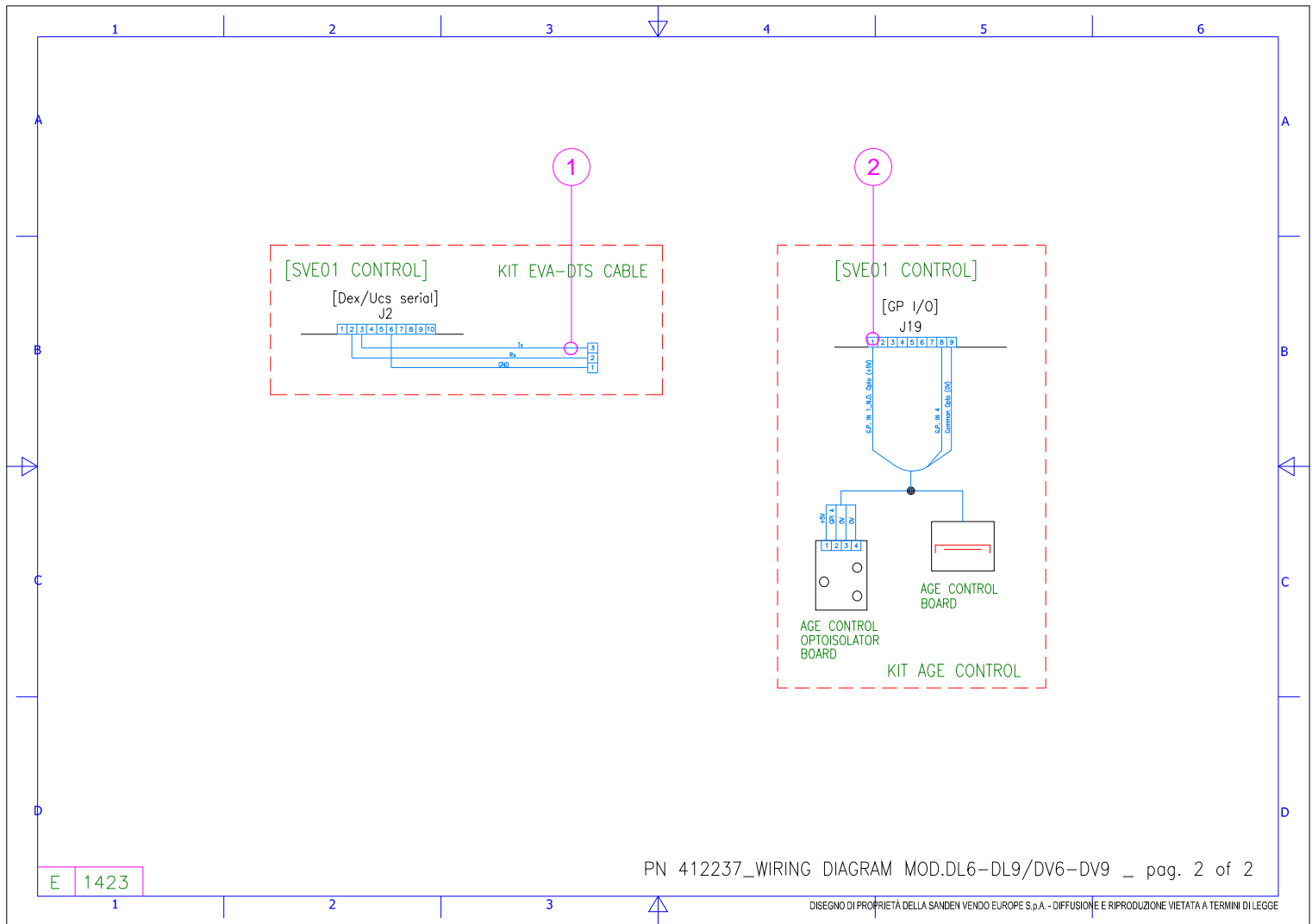
PN 413660_WIRING DIAGRAM MOD.DL6-DL9/DV6-DV9/DM6-DM9/DC6 OD _ pag. 1 of 2

DISEGNO DI PROPRIETÀ DELLA SANDEN VENDO EUROPE S.p.A. - DIFFUSIONE E RIPRODUZIONE VIETATA A TERMINI DI LEGGE

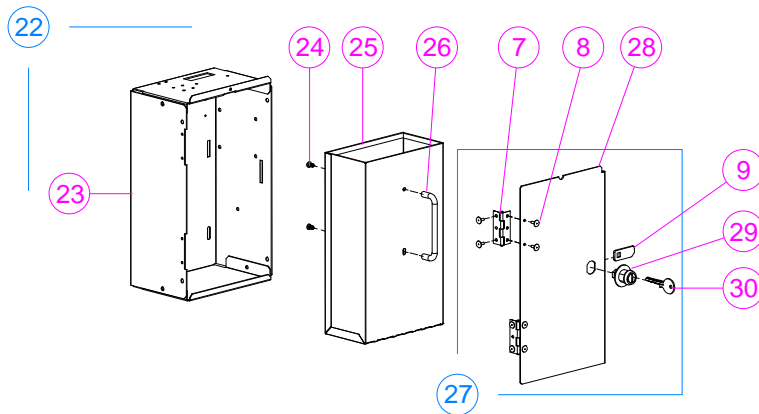
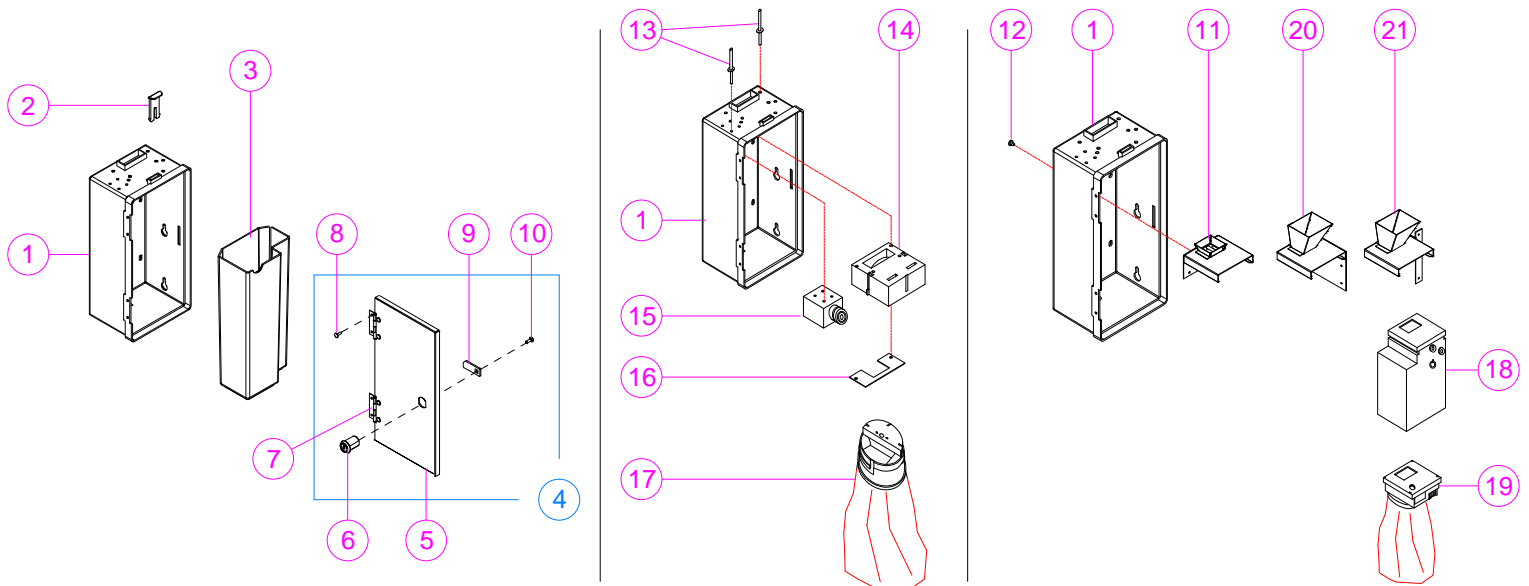
Pos	Code	Description	Serial Number Nota
1	143409	SIGNAL / CABINET ALIMENTATION HARNESS	
2	143407	+8V/+24V ALIMENTATION HARNESS	
3	143406	SLAVE / RELAY BOARD HARNESS	
4	143411	BT / SVE01 HARNESS	
5	143009/1	SVE01-KEYBOARD HARNESS	
5	143103/1	SVE01-CAPACITIVE DIRECT SEL. KEYBOARD HARNESS	
6	143431	COIN RETURN MOTOR HARNESS	
7	144166	DISPLAY HARNESS	
8	143908	FLAP SVE01 HARNESS	
9	141427	HARNESS SUPPLY/EXECUTIVE COINAGE	
10	141250	PROBES HARNESS	
11	144149	OD TRANSFORMER BOX / CONTROL UNIT HARNESS	
12	141651	COMPRESSOR EXTENSION SOCKET HARNESS	
13	142951	RESISTANCE ALIMENTATION HARNESS	
14	140522/2	COMPRESSOR HARNESS	
15	139911/1	CONDENSER / FAN MOTORS HARNESS	
16	141077	FLAP DOOR MICRO-SWITCH HARNESS	
17	141704/1	HARNESS RS-150-24/REG.TENS.	
18	141036	DRAWER - CABINET HARNESS	
19	143372	GROUND WIRE (DOUBLE)	
20	141192	MINIF./SUMIKO INTERFACE HARNESS	



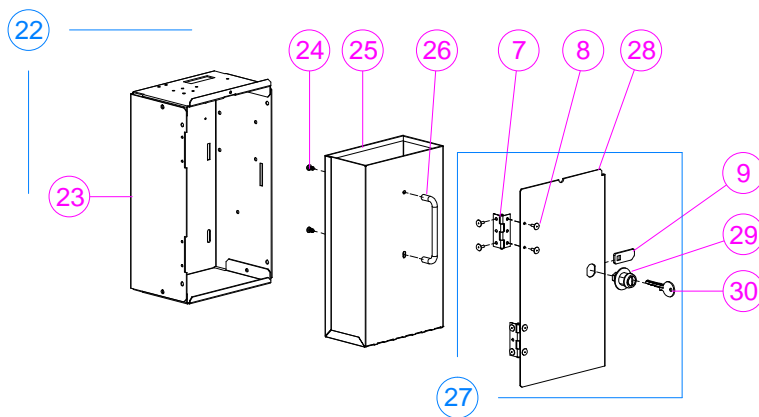
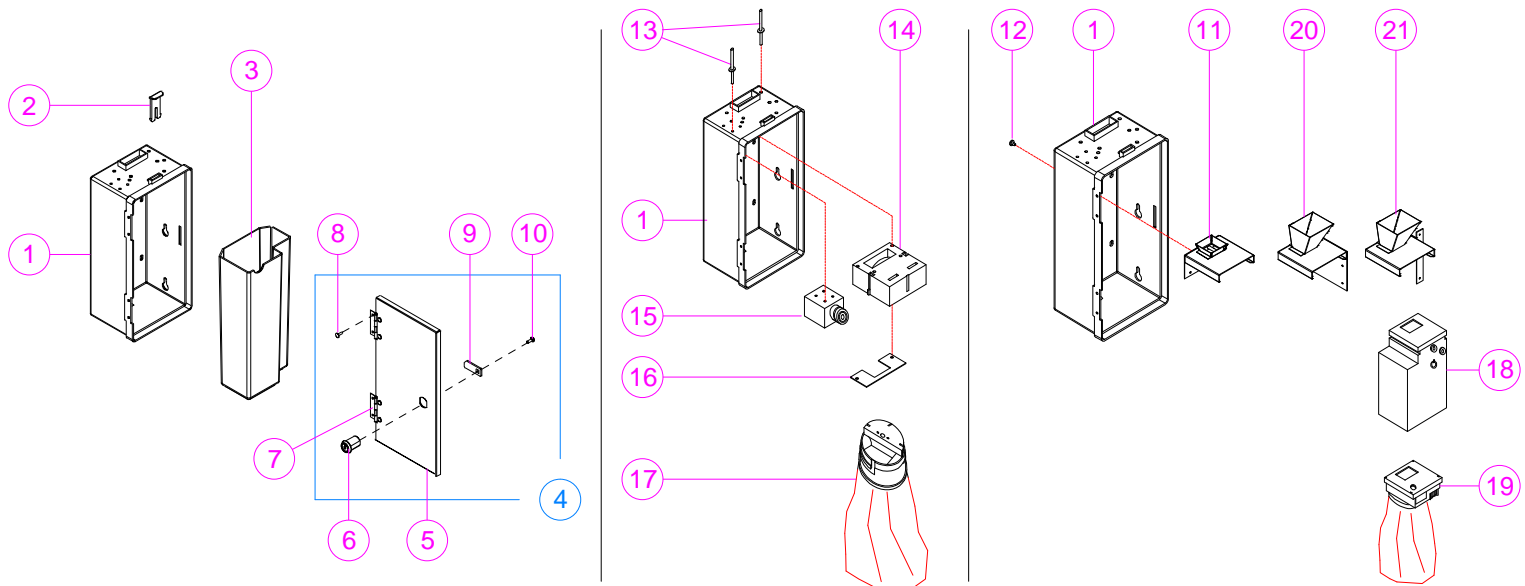
Pos	Code	Description	Serial Number Nota
21	143245	GROUND WIRE	
22	141120	BOX TRANSFORMER / LED HARNESS	
23	143631	LED / EVAPORATOR FAN MOTOR ALIMENTATION HARNESS	
24	141236	EVAPORATOR / FAN MOTORS HARNESS	



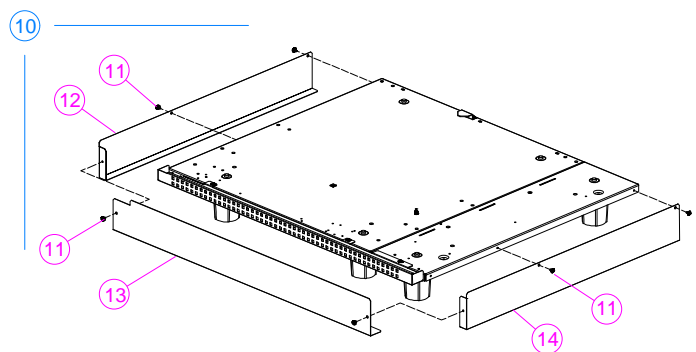
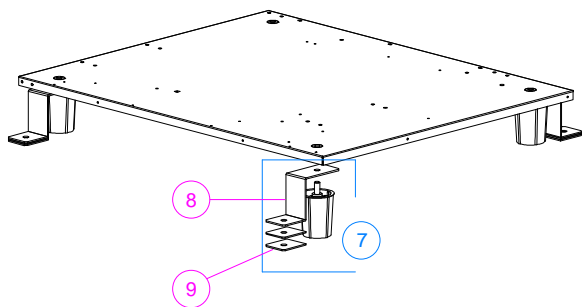
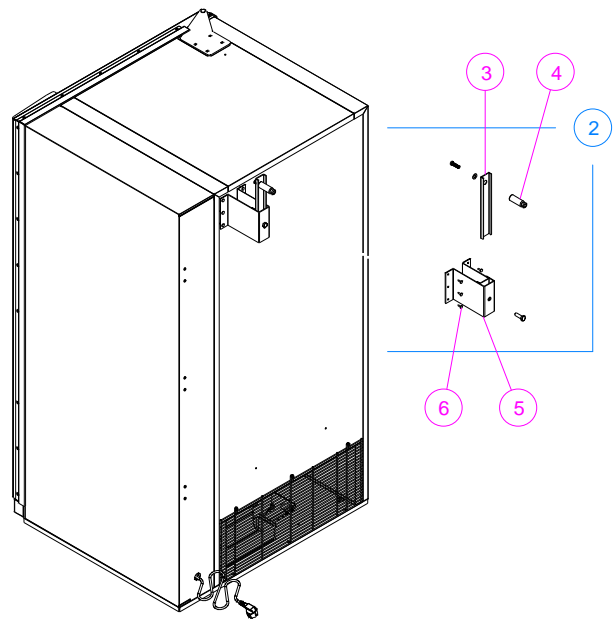
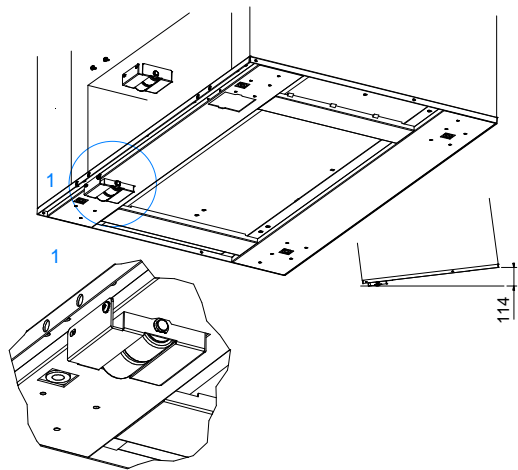
Pos	Code	Description	Serial Number Nota
1	144097	EVA-DTS HARNESS	
2	144390	AGE READER / TRANSFORMER BOX HARNESS	



Pos	Code	Description	Serial Number Nota
1	400771	PLASTIC BOX	
2	400773	KEY	
3	400772	COIN BOX	
4	138546	LOCK WITH DOOR ASSY	
5	401075	FLAP DOOR	
6	123785...	LOCK WITH KEYS	Pls. Specify lock / key code
7	395336	HINGE	
8	333097/2	POP RIVET	
9	391404	LOCK LEVER	
10	371110/12	TAPPING SCREW TC+ 4MAX12	
11	401255	SAFEGUARD FUNNEL	
12	V800569	SCREW TC+ 4,8x6,5	
13	333097/2	POP RIVET	
14	391641...	HONOR GARD COIN BAG SUPPORT	Pls. specify code or customer name
15	391642...	HONOR GARD LOCK	Pls. specify code or customer name
16	401250	PLATE H.G.	
17	391640...	HONOR GARD BAG	Pls. specify code or customer name
18	395159...	SAFEGUARD COIN BOX	Pls. specify code or customer name
19	397755...	SAFER SYSTEMS COIN BAG	Pls. specify code or customer name
20	401256	SAFER SYSTEMS FUNNEL	
21	401257	COIN CONVEYOR	



Pos	Code	Description	Serial Number Nota
22	138545/5	M8 BIG COIN BOX RIELDA LOCK	
23	410656	BIG COIN BOX SUPPORT	Included in the p/n 138545/5
24	371110/11	SCREW, TC+4MAX8	Included in the p/n 138545/5
25	410657	BIG COIN BOX	Included in the p/n 138545/5
26	394425	HANDLE GUIDE	Included in the p/n 138545/5
27	142147	DOOR FOR BIG COIN BOX ASSEMBLY WITH RIELDA LOCK	Included in the p/n 138545/5
28	410658	DOOR FOR BIG COIN BOX	Included in the p/n 142147
29	408305	LOCK	Included in the p/n 142147
30	408306	SILVER KEY AJSAND VENDO	Included in the p/n 142147



Pos	Code	Description	Serial Number Nota
1	141648	Roller Kit	
2	135078/1	KIT FIXING ON THE WALL	
3	386460	BRKT FOR OUT DOOR	
4	391598	INSERT	
5	130461/1	BRKT REAR WELD ASSY	
6	333097/2	POP RIVET	
7	139218/1	KIT FASTEN TO FLOOR	
8	408028	FASTEN TO FLOOR BRKT	
9	407994	THICKNESS	
10	141361/9	CB BASE COVER KIT	
11	V800570	SCREW T1+4,8X9,5 S.POINT	
12	408084	SIDE COVER LH	
13	410663	FRONT COVER DV9/DM9	
14	408084/1	SIDE COVER RH	

REV. REV. REV. REV.	DATA REV. REV. DATE DATE REV. DATUM REV.	ECRN ECRN ECRN ECRN	DISEGNI REVISIONATI REVISION DESSIN REVISÉ ÄNDERUNG	PAGINA PAGE PAGE SEITE
000	22/02/2016		Creation manual of spare parts	
001	19/04/2016		Added Plastic FLAP pages Updated Drawer assembly page	
002	01/07/2016	1473	Added New Coin Chute in plastic Added New Return Coin Chute in plastic Added the new gasket for OD	
003	21/09/2017		Added p/n 410570 and p/n 413983 Adjusted p/n of power switching Updated Kit Out-Door External page	
		1478	Updated Control Panel Box page	
		1485	Replaced p/n 406552 with p/n 406552/1 on Tray page	
		1491	Updated Mechanism page	
		1491	Updated Cabinet page	
			Update Coin Box Page	
			Updated various image	
			Update Various Kit page	
		1506	Update Kit Out-Door External page	
004				
005				
006				
007				
008				
009				
010				