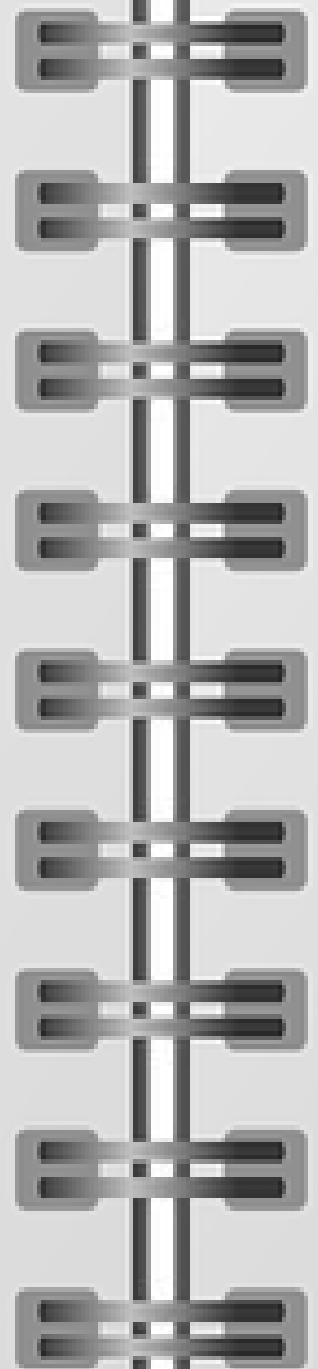
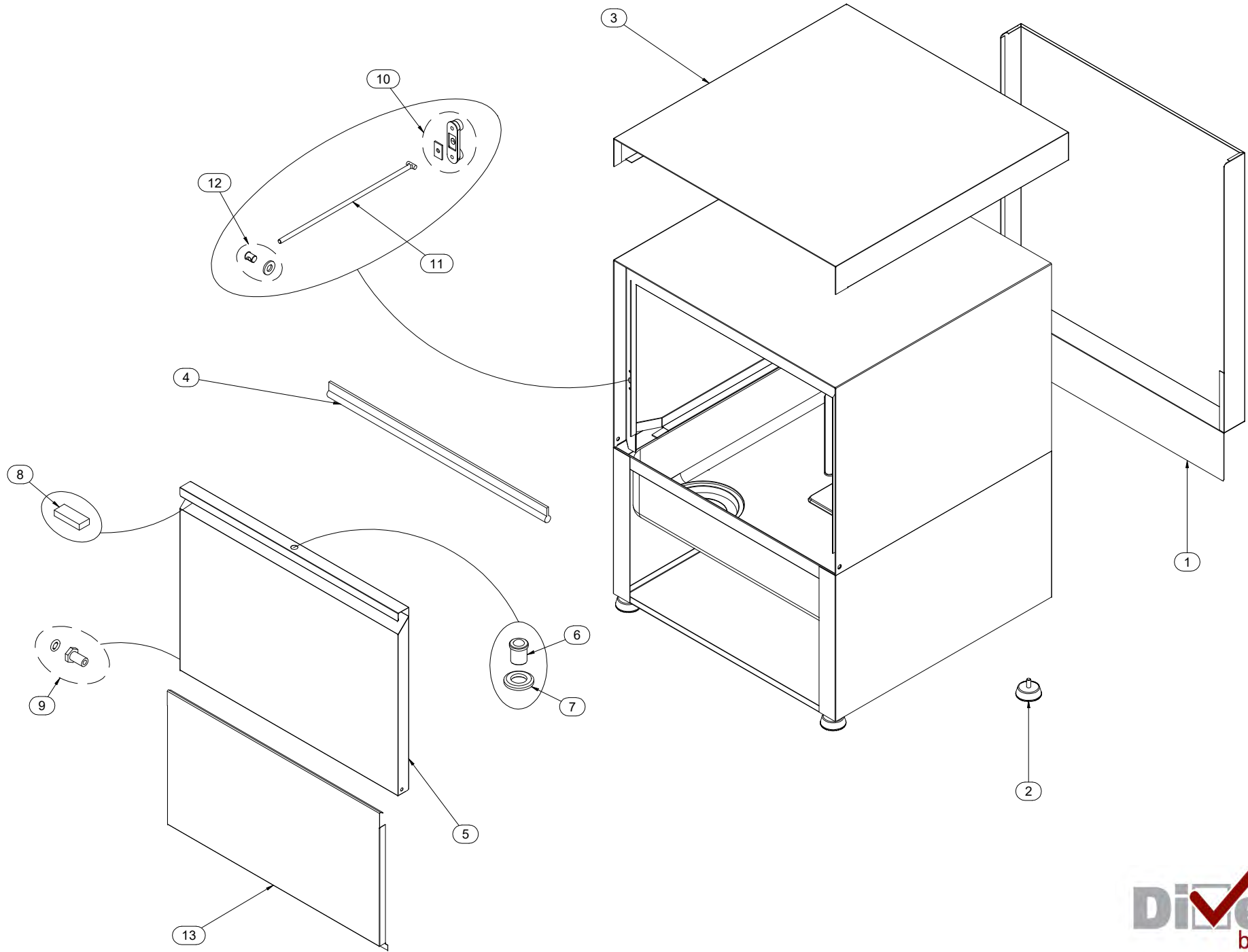

Mod: WR-LV50-MPS

Production code: FU DWD50 M PS / 400.342.201



| <u>PRODUCTION CODE</u> | <u>MODEL</u> | <u>POSITION</u> |
|-------------------------------|---------------------|------------------------|
| FU DWD 50 M | WR-LV50-M | A |
| FU GWD 42 M | WR-LB40-M | B |
| FU DWD50 M PS | WR-LV50-MPS | C |
| FU GWD41 M PS | WR-LB40-MPS | D |

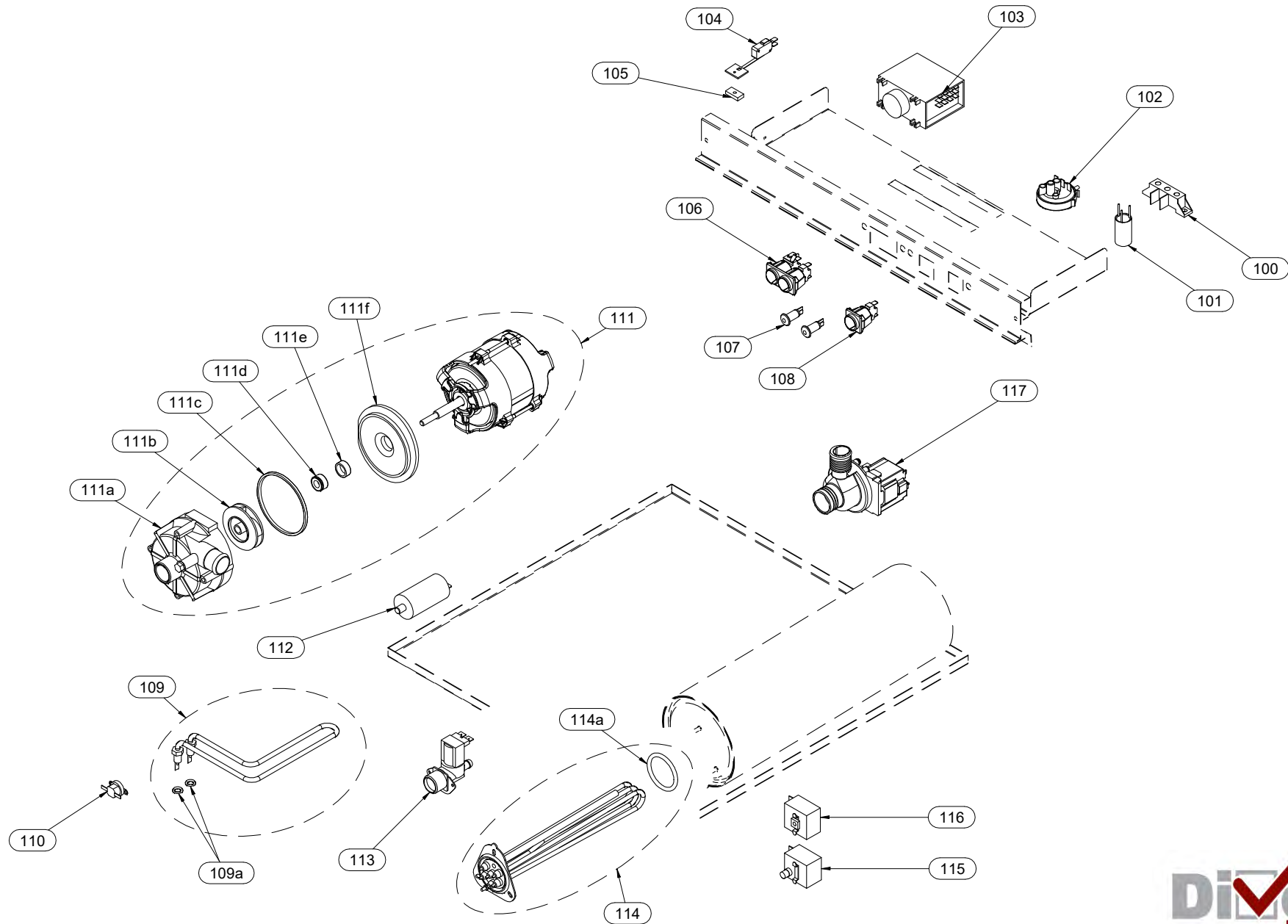
| | | | | | | |
|-------------------------|----------|---------------------------|----------|--|-----------------|--|
| MODEL: WR-LV50-M | A | MODEL: WR-LV50-MPS | C | | DATE: 03/2017 | |
| MODEL: WR-LB40-M | B | MODEL: WR-LB40-MPS | D | | DOC: 2532175.00 | |



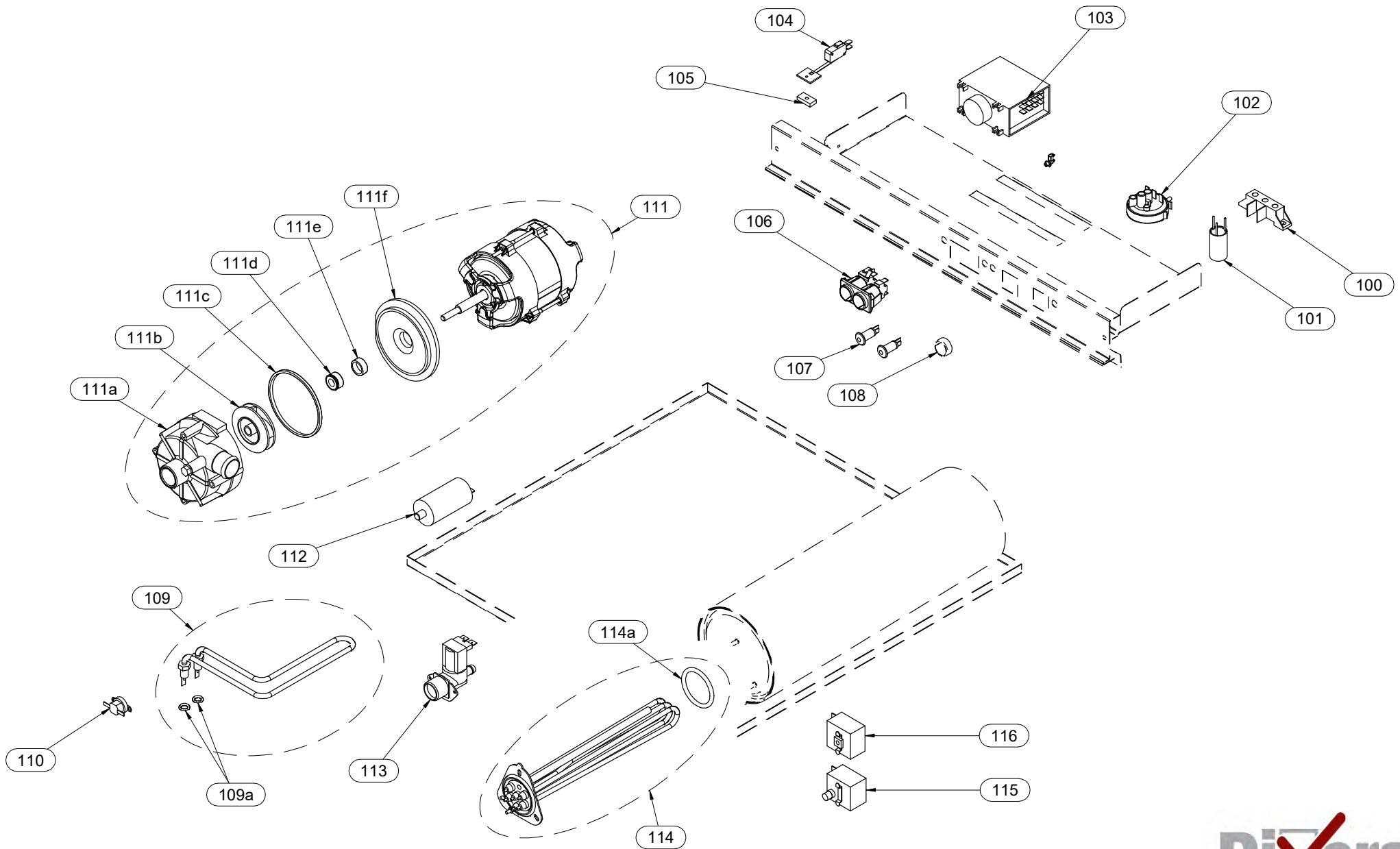
| | | | | | |
|-------------------------|----------|---------------------------|----------|--|----------------|
| MODEL: WR-LV50-M | A | MODEL: WR-LV50-MPS | C | | DATE: 03/2017 |
| MODEL: WR-LB40-M | B | MODEL: WR-LB40-MPS | D | | DOC:2532176.00 |

| POS. | DESCRIZIONE | DESCRIPTION | DENOMINATION | BENENNUNG | BESCHRIJVING | REFERENCE | A | B | C | D |
|------|---------------------|---------------|------------------|------------------|------------------|--------------|---|---|---|---|
| 1 | PANNELLO POSTERIORE | BACK PANEL | PANNEAU ARRIERE | HINTERBRETT | ACHTERSTE PANEEL | 421.273.00 | X | | X | |
| 1 | PANNELLO POSTERIORE | BACK PANEL | PANNEAU ARRIERE | HINTERBRETT | ACHTERSTE PANEEL | 421.266.00 | | X | | X |
| 2 | PIEDINO | FOOT | PIED | STELFUSS | VOET | 451.071.00 | X | X | X | X |
| 3 | COPERTURA | COVER | COUVERCLE | ABDECKUNG | DEKSEL | 421.272.00 | X | | X | |
| 3 | COPERTURA | COVER | COUVERCLE | ABDECKUNG | DEKSEL | 421.264.00 | | X | | X |
| 4 | GUARNIZIONE | DOOR GASKET | JOINT DE PORTE | DICHTUNGSRING | DEURDICHTING | 0832.24120.3 | X | X | X | X |
| 5 | PORTA | DOOR | PORTE | TÜR | DEUR | 411.227.00 | X | | X | |
| 5 | PORTA | DOOR | PORTE | TÜR | DEUR | 411.226.00 | | X | | X |
| 6 | SCROCCHETTO | DOOR LOCK | FERMETURE | TÜRSCHNAPPER | SLOT | 412.134.13 | X | X | X | X |
| 8 | MAGNETE | MAGNET | AIMANT | MAGNET | MAGNEET | 461.070.00 | X | X | X | X |
| 9 | BOCCOLA | PLAIN BEARING | PALIER LISSE | BUCHSE | PLAIN BEARING | 256.443.00 | X | X | X | X |
| 10 | PARACOLPI | BUFFER | PLAQUE DE RETENU | BUMPERS | BUFFER | 256.441.00 | X | X | X | X |
| 11 | ASTA PORTA | DOOR ROD | TIGE DE PORTE | VERSTEIG.DES TÜR | STAAF VOOR DEUR | 412.094.00 | X | X | X | X |
| 12 | FERMO PORTA | DOORSTOP | ECROU POUR TIGE | TÜRVERRIEGELUNG | MOER VOOR STAAF | 256.442.00 | X | X | X | X |
| 13 | PANNELLO FRONTALE | FRONTAL PANEL | PANNEAU FRONTAL | FRONTPLATTE | FRONT PANEEL | 421.274.00 | X | | X | |
| 13 | PANNELLO FRONTALE | FRONTAL PANEL | PANNEAU FRONTAL | FRONTPLATTE | FRONT PANEEL | 421.265.00 | | X | | X |
| | | | | | | | | | | |
| | | | | | | | | | | |
| | | | | | | | | | | |
| | | | | | | | | | | |

| | | | | | | |
|-------------------------|----------|---------------------------|----------|--|-----------------|--|
| MODEL: WR-LV50-M | A | MODEL: WR-LV50-MPS | C | | DATE: 03/2017 | |
| MODEL: WR-LB40-M | B | MODEL: WR-LB40-MPS | D | | DOC: 2532368.00 | |



| | | | | | |
|-------------------------|----------|---------------------------|----------|--|-----------------|
| MODEL: WR-LV50-M | A | MODEL: WR-LV50-MPS | C | | DATE: 03/2017 |
| MODEL: WR-LB40-M | B | MODEL: WR-LB40-MPS | D | | DOC: 2532370.00 |



| | | | | | |
|-------------------------|----------|---------------------------|----------|--|----------------|
| MODEL: WR-LV50-M | A | MODEL: WR-LV50-MPS | C | | DATE: 03/2017 |
| MODEL: WR-LB40-M | B | MODEL: WR-LB40-MPS | D | | DOC:2532171.00 |

| POS. | DESCRIZIONE | DESCRIPTION | DENOMINATION | BENENNUNG | BESCHRIJVING | REFERENCE | A | B | C | D |
|------|---------------------|------------------|--------------------|-----------------|------------------|--------------|---|---|---|---|
| 100 | MORSETTIERA | TERMINAL BOARD | BORNIER | KLEMMENBRETT | AANSLUITKLEM | 463.026.00 | X | X | X | X |
| 101 | FILTRO ANTIDISTURBO | LIMITER FILTER | DEPARASITEUR | ANTIJAM. FILTER | LIMITER FILTER | 464.067.00 | X | X | X | X |
| 102 | PRESSOSTATO | PRESSURE SWITCH | PRESSOSTAT | NIVEAUSCHALTER | PRESSOSTAAT | 462.016.00 | X | | X | |
| 102 | PRESSOSTATO | PRESSURE SWITCH | PRESSOSTAT | NIVEAUSCHALTER | PRESSOSTAAT | 462.019.00 | | X | | X |
| 103 | TIMER | TIMER | MINUTERIE | ZEITSCHALTER | TIMER | 461.080.00 | X | X | X | X |
| 104 | MICRO PORTA | DOOR SWITCH | CONTACT DE PORTE | TUERKONTAKT | DEUR KONTAKT | 412.075.00 | X | X | X | X |
| 105 | MAGNETE | MAGNET | AIMANT | MAGNET | MAGNEET | 461.043.00 | X | X | X | X |
| 106 | INTERRUTTORE DOPPIO | DOUBLE SWITCH | INTER. DOUBLE | DOPPELSCHALTER | DUBBEL SCHAK. | 461.093.00 | X | X | X | X |
| 107 | LAMPADA SPIA ARANC. | PILOT LAMP | LAME TEMOIN | KONTROLLAMPE | GETUIGLAMP | 463.012.00 | X | X | X | X |
| 108 | TAPPO | CAP | BOUCHON | STÖPSEL | KAP | 461.112.00 | X | X | | |
| 109 | RESISTENZA VASCA | TANK HEAT. ELEM. | RESIST. DE CUVE | TANKHEIZKORPER | KUIP WEERSTAND | 465.008.14 | X | | X | |
| 109 | RESISTENZA VASCA | TANK HEAT. ELEM. | RESIST. DE CUVE | TANKHEIZKORPER | KUIP WEERSTAND | 465.012.00 | | X | | X |
| 109a | GUARNIZIONE RESIST. | GASKET | JOINT RESIST. CUVE | DICHTUNG | DICHTING WEERST. | 0835.53374.1 | X | | X | |
| 109a | GUARNIZIONE RESIST. | GASKET | JOINT RESIST. CUVE | DICHTUNG | DICHTING WEERST. | 0835.26919.1 | | X | | X |
| 110 | TERMOSTATO VASCA | TANK THERMOSTAT | THERMOST. CUVE | TANKTHERMOSTAT | KUIP THERMOTAAT | 461.060.00 | X | X | X | X |
| 111 | ELETTROPOMPA | WASH PUMP | POMPE DE LAVAGE | ELEKTROPUMPE | WASPOMP | 464.113.00 | X | | X | |
| 111 | ELETTROPOMPA | WASH PUMP | POMPE DE LAVAGE | ELEKTROPUMPE | WASPOMP | 464.082.00 | | X | | X |
| | | | | | | | | | | |
| | | | | | | | | | | |
| | | | | | | | | | | |
| | | | | | | | | | | |
| | | | | | | | | | | |

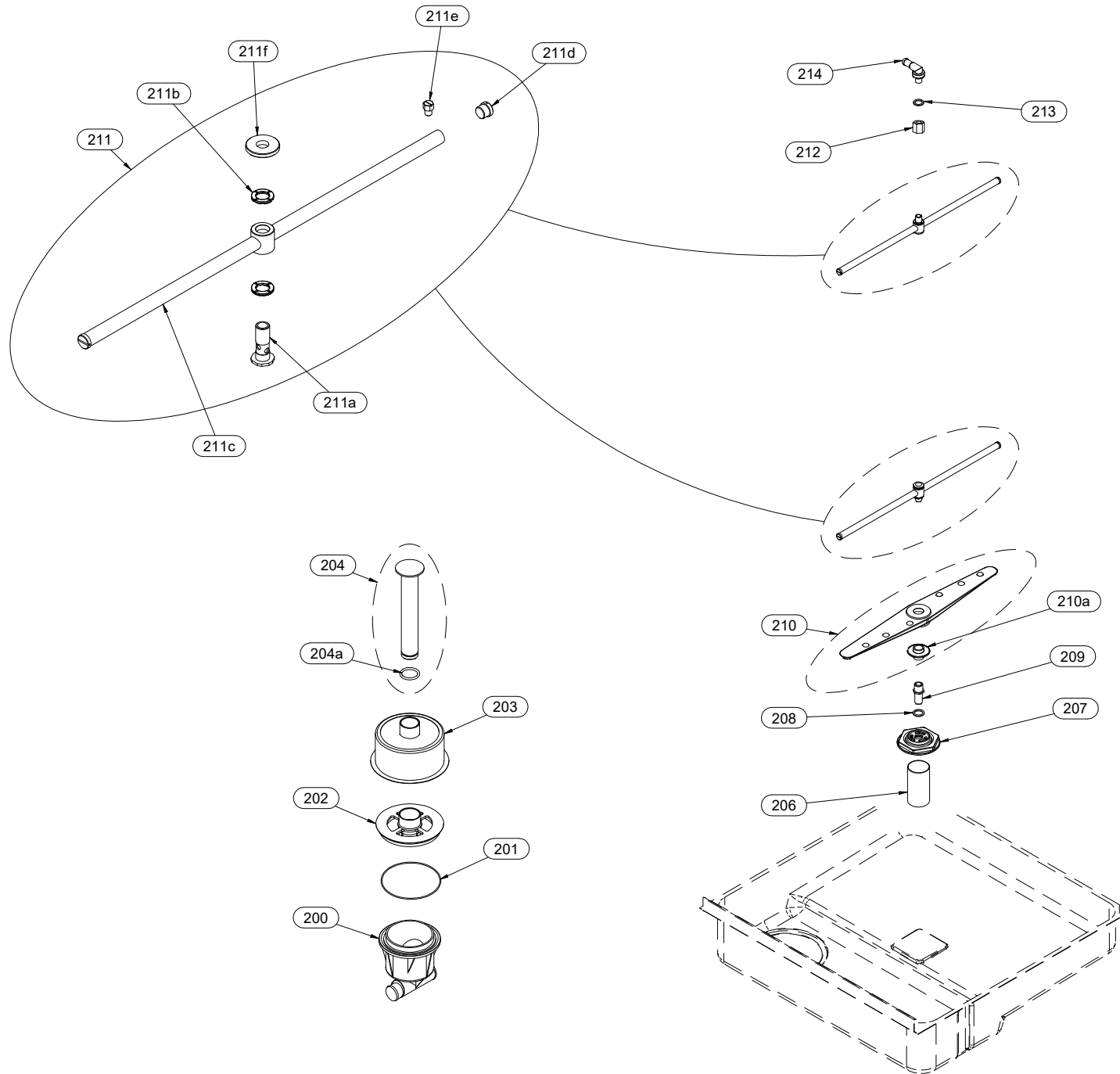
| | | | | | |
|-------------------------|----------|---------------------------|----------|--|----------------|
| MODEL: WR-LV50-M | A | MODEL: WR-LV50-MPS | C | | DATE: 03/2017 |
| MODEL: WR-LB40-M | B | MODEL: WR-LB40-MPS | D | | DOC:2532171.00 |

| POS. | DESCRIZIONE | DESCRIPTION | DENOMINATION | BENENNUNG | BESCHRIJVING | REFERENCE | A | B | C | D |
|------|----------------------------|--------------------------|-----------------------------|--------------------------|--------------------------|--------------|---|---|---|---|
| 111a | COCLEA | HELIX SCREW | FLASQUE POMPE | FÖRDERSCHNECKE | SLAKHUIS POMP | 464.127.00 | X | | X | |
| 111a | COCLEA | HELIX SCREW | FLASQUE POMPE | FÖRDERSCHNECKE | SLAKHUIS POMP | 464.061.00 | | X | | X |
| 111b | GIRANTE | IMPELLER | HELICE | IMPELLER | SCHOEP | 464.129.00 | X | | X | |
| 111b | GIRANTE | IMPELLER | HELICE | IMPELLER | SCHOEP | 464.106.00 | | X | | X |
| 111c | GUARNIZIONE | SEAL | JOINT DE FLASQUE | DICHTUNG | DICHTING | 464.128.00 | X | | X | |
| 111c | GUARNIZIONE | SEAL | JOINT DE FLASQUE | DICHTUNG | DICHTING | 464.043.00 | | X | | X |
| 111d | TENUTA ROTANTE | ROTATING SEAL | BOURRAGE | DREHDICHTUNG | ASGROEP | 464.130.00 | X | | X | |
| 111d | TENUTA ROTANTE | ROTATING SEAL | BOURRAGE | DREHDICHTUNG | ASGROEP | 464.044.00 | | X | | X |
| 111e | TENUTA FISSA | FIXED SEAL | JOINT BOURRAGE | FIXE DICHTUNG | DICHTING ASGROEP | 464.026.00 | X | X | X | X |
| 111f | SUPPORTO COCLEA | HELIX SUPPORT | FLASQUE | ABSTÜTZUNG | HELIX SUPPORT | 464.131.00 | X | | X | |
| 111f | SUPPORTO COCLEA | HELIX SUPPORT | FLASQUE | ABSTÜTZUNG | HELIX SUPPORT | 464.060.00 | | X | | X |
| 112 | CONDENSATORE | CONDENSATOR | CONDENSATEUR | KONDENSATOR | CONDESATOR | 464.016.00 | X | | X | |
| 112 | CONDENSATORE | CONDENSATOR | CONDENSATEUR | KONDENSATOR | CONDESATOR | 464.042.00 | | X | | X |
| 113 | ELETTOVALVOLA | INLETVALVE | ELECTROVANNE | ELEKTROVENTIL | WATERVENTIEL | 462.000.00 | X | X | X | X |
| 114 | RESISTENZA BOILER | BOILER HEAT. ELE. | RESISTANCE BOILER | BOILERHEIZKORPER | BOILER ELEMENT | 465.011.00 | X | X | X | X |
| 114a | GUARNIZIONE RESIST. | GASKET | JOINT RESIST. BOILER | DICHTUNG | DICHTING | 0835.53470.1 | X | X | X | X |
| 115 | TERM. DI SICUREZZA | SAFETY THERM. | THERM. DE SECURITE | SICHERHEITSTHERM. | VEILGHEIDSTHERM. | 461.071.00 | X | X | X | X |
| 116 | TERMOSTATO BOILER | BOILER THERMOSTAT | THERMOSTAT BOILER | BOILER THERMOSTAT | BOILER THERMOSTAT | 461.016.00 | X | X | X | X |
| | | | | | | | | | | |
| | | | | | | | | | | |
| | | | | | | | | | | |
| | | | | | | | | | | |

| | | | | | |
|-------------------------|---|---------------------------|---|--|----------------|
| MODEL: WR-LV50-M | A | MODEL: WR-LV50-MPS | C | | DATE: 03/2017 |
| MODEL: WR-LB40-M | B | MODEL: WR-LB40-MPS | D | | DOC:2532369.00 |

| POS. | DESCRIZIONE | DESCRIPTION | DENOMINATION | BENENNUNG | BESCHRIJVING | REFERENCE | A | B | C | D |
|------|---------------|-------------------|--------------------|-----------------------|-------------------|------------|---|---|---|---|
| 108 | INTERRUTTORE | SWITCH DRAIN PUMP | INTER. POMPE DECH. | SCHALTER ABLAUF PUMPE | SCHAK. AFVOERPOMP | 461.113.00 | | | X | X |
| 117 | POMPA SCARICO | DRAIN PUMP | POMPE DE DECHARGE | ABLAUF PUMPE | AFVOERPOMP | 464.037.00 | | | X | X |
| | | | | | | | | | | |
| | | | | | | | | | | |
| | | | | | | | | | | |
| | | | | | | | | | | |
| | | | | | | | | | | |
| | | | | | | | | | | |
| | | | | | | | | | | |
| | | | | | | | | | | |
| | | | | | | | | | | |
| | | | | | | | | | | |
| | | | | | | | | | | |
| | | | | | | | | | | |
| | | | | | | | | | | |
| | | | | | | | | | | |
| | | | | | | | | | | |
| | | | | | | | | | | |
| | | | | | | | | | | |
| | | | | | | | | | | |

| | | | | | | |
|-------------------------|----------|---------------------------|----------|--|-----------------|--|
| MODEL: WR-LV50-M | A | MODEL: WR-LV50-MPS | C | | DATE: 03/2017 | |
| MODEL: WR-LB40-M | B | MODEL: WR-LB40-MPS | D | | DOC: 2532181.00 | |



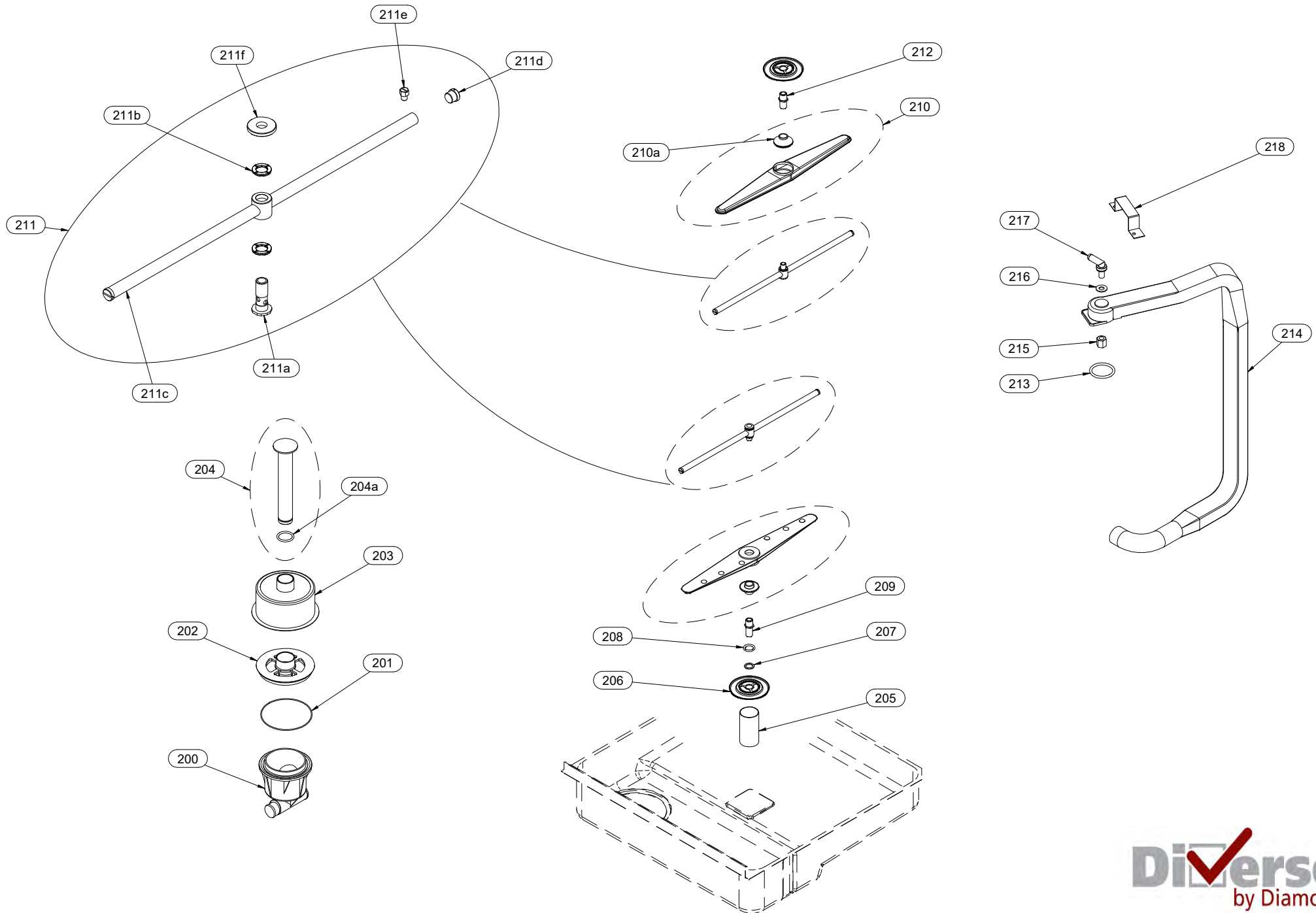
| | | | | | |
|-------------------------|----------|---------------------------|----------|--|----------------|
| MODEL: WR-LV50-M | A | MODEL: WR-LV50-MPS | C | | DATE: 03/2017 |
| MODEL: WR-LB40-M | B | MODEL: WR-LB40-MPS | D | | DOC:2532182.00 |

| POS. | DESCRIZIONE | DESCRIPTION | DENOMINATION | BENENNUNG | BESCHRIJVING | REFERENCE | A | B | C | D |
|------|----------------------------|-------------------------|---------------------------|---------------------------|----------------------------|--------------|---|---|---|---|
| 200 | SCARICO | DRAIN COLLECTOR | COLLECTEUR DE DECHAR. | ABLAUF | AFVOER COLLECTOR | 451.025.00 | X | X | X | X |
| 201 | GUARNIZIONE | GASKET | JOINT | DICHTUNGSRING | DICHTING | 0835.35101.1 | X | X | X | X |
| 202 | GHIERA | FERRULE | VIROLE | NUTMUTTER | MOER VOOR COLLECTOR | 451.022.14 | X | X | X | X |
| 203 | FILTRO SCARICO | TANK FILTER | FILTRE DE CUVE | ABLAUFFILTER | KUIP FILTER | 411.088.00 | | X | | X |
| 204 | TROPPOPIENO | OVERFLOW PIPE | TROP PLEIN | ÜBERLAUF | OVERLOOP PIJP | 410.390.00 | | X | | X |
| 204a | GUARNIZIONE | GASKET | JOINT | DICHTUNGSRING | DICHTING | 0835.26266.1 | | X | | X |
| 206 | RACCORDO | CONNECTOR | RACCORD | ANSCHLUSS | KOPPELSTUK | 431.129.00 | | X | | X |
| 207 | GHIERA | FERRULE | VIROLE | NUTMUTTER | MOER | 451.065.00 | | X | | X |
| 208 | PARZIALIZZATORE | SPLITTER | ETRANGLEUR | ABZWEIGER | DEBIET SPLITTER | 424.027.00 | | X | | X |
| 209 | PERNO LAVAGGIO INF. | LOWER SWIVEL | PIVOT INFERIEURE | STIFT UNTERER SPÜLUNG | ONDERSTE SPIL | 441.059.00 | | X | | X |
| 210 | GIRANTE LAVAGGIO | WASH ARM | BRAS DE LAVAGE | WASCHARM | WASARM | 256.375.00 | | X | | X |
| 210a | SUPPORTO GIRANTE | IMPELLER SUPPORT | SUP. BRAS DE LAVAGE | LAUFRADHALTERUNG | STEUN VOOR WASARM | 451.066.00 | | X | | X |
| 211 | GIRANTE RISCIAQUO | RINSE ARM | BRAS DE RINCAGE | AUSSPÜLUNGSARM | SPOELARM | 412.198.00 | | X | | X |
| 211a | PERNO RISCIAQUO | RINSING PIN | PIVOT BRAS DE LAV. | SPUELSTIFT LB LS | AS VOOR SPOELARM | 441.057.00 | | X | | X |
| 211b | RONDELLA RISCIAQUO | RINSING GASKET | RONDELLE | UNTERLEGSCHIBE | RONDELLE | 451.024.00 | | X | | X |
| 211c | VEDERE POS. 211 | SEE POS. 211 | VOIR POS. 211 | SIEHE POS. 211 | ZIE POS. 211 | ** | | | | |
| 211d | TAPPO RISCIAQUO | RINSE PLUG | BOUCHON | AUSSPÜLUNGSSTÖPSEL | DOPJE | 451.028.00 | | X | | X |
| 211e | UGELLO RISCIAQUO | RINSE JET | GICLEUR DE RINCAGE | NACHSPUELDUESE | SPOEL SPROEIER | 441.040.00 | | X | | X |
| 211f | GHIERA | FERRULE | VIROLE | NUTMUTTER | MOER | 441.044.00 | | X | | X |
| | | | | | | | | | | |
| | | | | | | | | | | |
| | | | | | | | | | | |

| | | | | | |
|-------------------------|---|---------------------------|---|--|----------------|
| MODEL: WR-LV50-M | A | MODEL: WR-LV50-MPS | C | | DATE: 03/2017 |
| MODEL: WR-LB40-M | B | MODEL: WR-LB40-MPS | D | | DOC:2532182.00 |

| POS. | DESCRIZIONE | DESCRIPTION | DENOMINATION | BENENNUNG | BESCHRIJVING | REFERENCE | A | B | C | D |
|------|-------------|-------------|--------------|---------------|--------------|--------------|---|---|---|---|
| 212 | DADO | NUT | ECROU | MUTTER | MOER | 641.117.00 | | X | | X |
| 213 | GUARNIZIONE | GASKET | JOINT | DICHTUNGSRING | DICHTING | 0840.25175.0 | | X | | X |
| 214 | RACCORDO | CONNECTOR | RACCORD | ANSCHLUSS | KOPPELSTUK | 411.193.00 | | X | | X |
| | | | | | | | | | | |
| | | | | | | | | | | |
| | | | | | | | | | | |
| | | | | | | | | | | |
| | | | | | | | | | | |
| | | | | | | | | | | |
| | | | | | | | | | | |
| | | | | | | | | | | |
| | | | | | | | | | | |
| | | | | | | | | | | |
| | | | | | | | | | | |
| | | | | | | | | | | |
| | | | | | | | | | | |
| | | | | | | | | | | |
| | | | | | | | | | | |
| | | | | | | | | | | |
| | | | | | | | | | | |
| | | | | | | | | | | |
| | | | | | | | | | | |
| | | | | | | | | | | |

| | | | | | | |
|-------------------------|----------|---------------------------|----------|--|-----------------|--|
| MODEL: WR-LV50-M | A | MODEL: WR-LV50-MPS | C | | DATE: 03/2017 | |
| MODEL: WR-LB40-M | B | MODEL: WR-LB40-MPS | D | | DOC: 2532183.00 | |



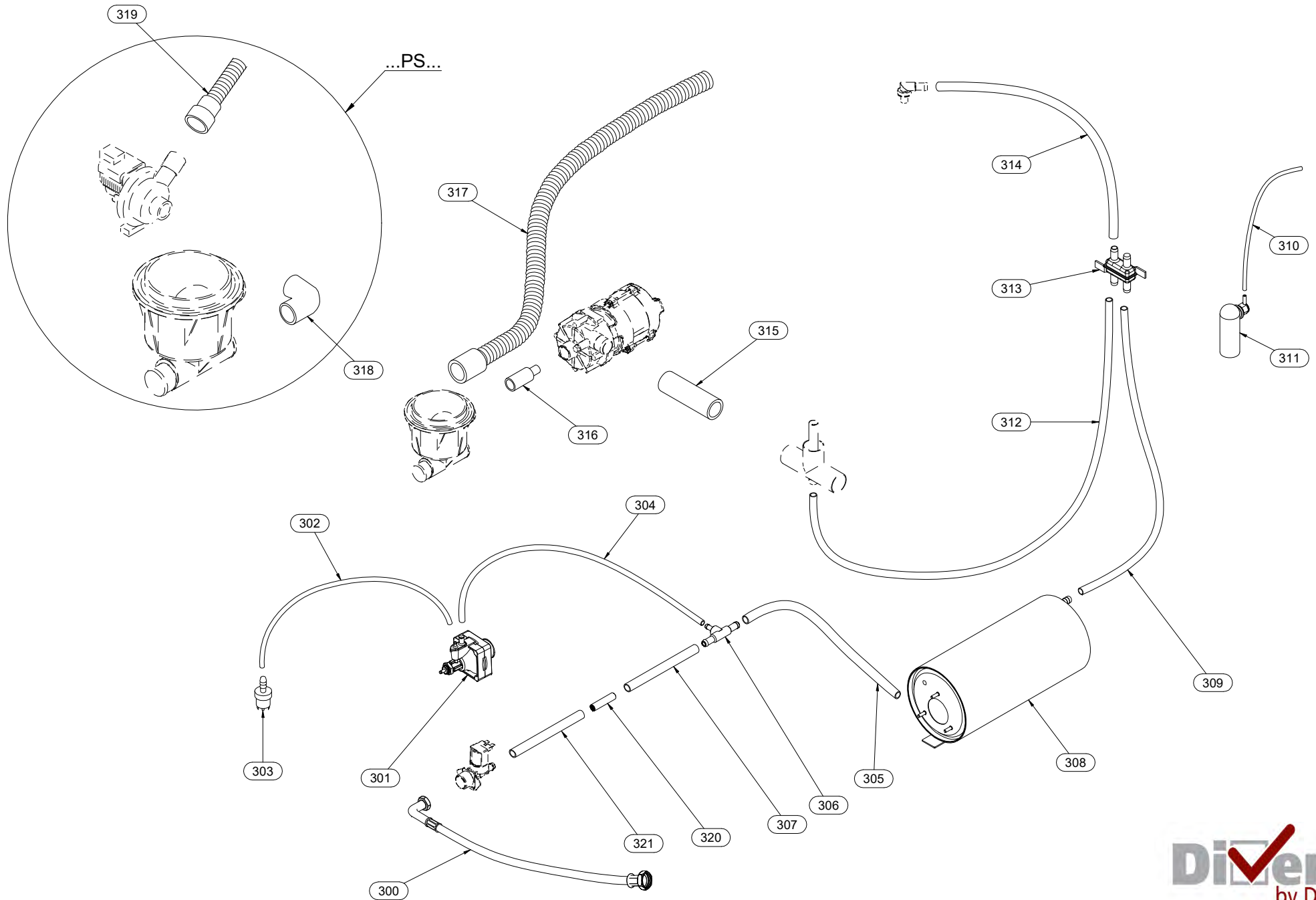
| | | | | | |
|-------------------------|----------|---------------------------|----------|--|----------------|
| MODEL: WR-LV50-M | A | MODEL: WR-LV50-MPS | C | | DATE: 03/2017 |
| MODEL: WR-LB40-M | B | MODEL: WR-LB40-MPS | D | | DOC:2532184.00 |

| POS. | DESCRIZIONE | DESCRIPTION | DENOMINATION | BENENNUNG | BESCHRIJVING | REFERENCE | A | B | C | D |
|------|---------------------|------------------|-----------------------|-----------------------|---------------------|--------------|---|---|---|---|
| 200 | SCARICO | DRAIN COLLECTOR | COLLECTEUR DE DECHAR. | ABLAUF | AFVOER COLLECTOR | 451.025.00 | X | X | X | X |
| 201 | GUARNIZIONE | GASKET | JOINT | DICHTUNGSRING | DICHTING | 0835.35101.1 | X | X | X | X |
| 202 | GHIERA | FERRULE | VIROLE | NUTMUTTER | MOER VOOR COLLECTOR | 451.022.14 | X | X | X | X |
| 203 | FILTRO SCARICO | TANK FILTER | FILTRE DE CUVE | ABLAUFFILTER | TANK FILTER | 412.260.00 | X | | X | |
| 204 | TROPPOPIENO | OVERFLOW PIPE | TROP PLEIN | ÜBERLAUF | OVERLOOP PIJP | 410.282.00 | X | | X | |
| 204a | GUARNIZIONE | GASKET | JOINT | DICHTUNGSRING | DICHTING | 0835.26266.1 | X | | X | |
| 205 | RACCORDO | CONNECTOR | RACCORD | ANSCHLUSS | KOPPELSTUK | 431.130.00 | X | | X | |
| 206 | PARZIALIZZATORE | SPLITTER | ETRANGLEUR | ABZWEIGER | DEBIET SPLITTER | 424.006.00 | X | | X | |
| 207 | PARZIALIZZATORE | SPLITTER | ETRANGLEUR | ABZWEIGER | DEBIET SPLITTER | 423.058.00 | X | | X | |
| 209 | PERNO LAVAGGIO INF. | LOWER SWIVEL | PIVOT INFERIEUR | STIFT UNTERER SPÜLUNG | ONDERSTE SPIL | 441.085.00 | X | | X | |
| 210 | GIRANTE LAVAGGIO | WASH ARM | BRAS DE LAVAGE | WASCHARM | WASARM | 256.373.00 | X | | X | |
| 210a | SUPPORTO GIRANTE | IMPELLER SUPPORT | SUP. BRAS DE LAVAGE | LAUFRADHALTERUNG | STEUN WASARM | 451.021.13 | X | | X | |
| 211 | GIRANTE RISCIAQUO | RINSE ARM | BRAS DE RINCAGE | AUSSPÜLUNGSARM | SPOEL ARM | 412.199.00 | X | | X | |
| 211a | PERNO RISCIAQUO | RINSING PIN | PIVOT BRAS DE LAV. | SPUELSTIFT LB LS | AS VOOR SPOELARM | 441.057.00 | X | | X | |
| 211b | RONDELLA RISCIAQUO | RINSING GASKET | RONDELLE | UNTERLEGSCHIEBE | RONDELLE | 451.024.00 | X | | X | |
| 211c | GIRANTE RISCIAQUO | RINSE ARM | BRAS DE RINCAGE | AUSSPÜLUNGSARM | SPOELARM | 412.034.00 | X | | X | |
| 211d | TAPPO RISCIAQUO | RINSE PLUG | BOUCHON | AUSSPÜLUNGSSTÖPSEL | DOPJE | 451.028.00 | X | | X | |
| 211e | UGELLO RISCIAQUO | RINSE JET | GICLEUR DE RINCAGE | NACHSPUELDUESE | SPOEL SPROEIER | 441.040.00 | X | | X | |
| 211f | GHIERA | FERRULE | VIROLE | NUTMUTTER | MOER | 441.044.00 | X | | X | |
| | | | | | | | | | | |
| | | | | | | | | | | |
| | | | | | | | | | | |

| | | | | | |
|-------------------------|---|---------------------------|---|--|----------------|
| MODEL: WR-LV50-M | A | MODEL: WR-LV50-MPS | C | | DATE: 03/2017 |
| MODEL: WR-LB40-M | B | MODEL: WR-LB40-MPS | D | | DOC:2532184.00 |

| POS. | DESCRIZIONE | DESCRIPTION | DENOMINATION | BENENNUNG | BESCHRIJVING | REFERENCE | A | B | C | D |
|------|--------------------|---------------|-----------------|----------------|---------------|--------------|---|---|---|---|
| 212 | PERNO LAVAGGIO SUP | UPPER SWIVEL | PIVOT SUPERIEUR | OBERER STIFT | BOVENSTE SPIL | 441.041.00 | X | | X | |
| 213 | GUARNIZIONE | GASKET | JOINT | DICHTUNGSRING | DICHTING | 0835.35101.1 | X | | X | |
| 214 | TUBO MANDATA | DELIVERY PIPE | DURITE | ZULEITUNGSROHR | DURITE | 412.171.00 | X | | X | |
| 215 | DADO | NUT | ECROU | MUTTER | MOER | 441.045.00 | X | | X | |
| 216 | GUARNIZIONE | GASKET | JOINT | DICHTUNGSRING | DICHTING | 0840.25122.0 | X | | X | |
| 217 | RACCORDO | CONNECTOR | RACCORD | ANSCHLUSS | KOPPELSTUK | 412.032.15 | X | | X | |
| 218 | FISSAGGIO | FIXING | FIXAGE | BEFESTIGUNG | BEFESTIGUNG | 423.064.00 | X | | X | |
| | | | | | | | | | | |
| | | | | | | | | | | |
| | | | | | | | | | | |
| | | | | | | | | | | |
| | | | | | | | | | | |
| | | | | | | | | | | |
| | | | | | | | | | | |
| | | | | | | | | | | |
| | | | | | | | | | | |
| | | | | | | | | | | |
| | | | | | | | | | | |
| | | | | | | | | | | |
| | | | | | | | | | | |
| | | | | | | | | | | |

| | | | | | | |
|-------------------------|----------|---------------------------|----------|--|-----------------|--|
| MODEL: WR-LV50-M | A | MODEL: WR-LV50-MPS | C | | DATE: 03/2017 | |
| MODEL: WR-LB40-M | B | MODEL: WR-LB40-MPS | D | | DOC: 2532185.00 | |



| | | | | | |
|-------------------------|----------|---------------------------|----------|--|----------------|
| MODEL: WR-LV50-M | A | MODEL: WR-LV50-MPS | C | | DATE: 03/2017 |
| MODEL: WR-LB40-M | B | MODEL: WR-LB40-MPS | D | | DOC:2532186.00 |

| POS. | DESCRIZIONE | DESCRIPTION | DENOMINATION | BENENNUNG | BESCHRIJVING | REFERENCE | A | B | C | D |
|------|-----------------------|-------------------|-----------------------|-----------------------|----------------------|------------|---|---|---|---|
| 300 | TUBO CARICO | WATER INLET HOSE | TUYAU D'ALIM. H2o | BELASTUNG-ROHR | H2o AANSLUITINGSPIJP | 452.033.00 | X | X | X | X |
| 301 | DOSATORE BRILLANTANTE | RINSE AID PUMP | POMPE. PROD. RINC. | NACHSPUELMITTELGERAET | SPOELMIDDEL POMP | 471.011.00 | X | X | X | X |
| 302 | TUBO 4x6 | PIPE 4x6 | TUYAU 4x6 | ROHR 4x6 | SLANG 4x6 | 452.039.00 | X | X | X | X |
| 303 | FILTRO ASPIRAZIONE | FILTER | FILTRE ASPIRATION | ANSAUGFILTER | ZUIGINGSFILTER | 451.048.00 | X | X | X | X |
| 304 | TUBO 8x15 | PIPE 8x15 | TUYAU 8x15 | ROHR 8x15 | SLANG 8x15 | 452.038.00 | X | X | X | X |
| 305 | TUBO 12x19 | PIPE 12x19 | TUYAU 12x19 | ROHR 12x19 | SLANG 12x19 | 452.041.00 | X | X | X | X |
| 306 | RACCORDO A T | "T"-FITTING | RACCORD "T" | "T"-STÜCK | "T"-KOPPELSTUK | 451.133.00 | X | X | X | X |
| 307 | TUBO 12x19 | PIPE 12x19 | TUYAU 12x19 | ROHR 12x19 | SLANG 12x19 | 452.126.00 | X | X | X | X |
| 308 | BOILER | BOILER | BOILER | BOILER | BOILER | 410.280.00 | X | | X | |
| 308 | BOILER | BOILER | BOILER | BOILER | BOILER | 410.279.00 | | X | | X |
| 309 | TUBO 12x19 | PIPE 12x19 | TUYAU 12x19 | ROHR 12x19 | SLANG 12x19 | 452.117.00 | X | X | X | X |
| 310 | TUBO 4x8 | PIPE 4x8 | TUYAU 4x8 | ROHR 4x8 | SLANG 4x8 | 452.139.00 | X | X | X | X |
| 311 | CAMPANA PRESSOSTATO | AIR TRAP | CHAMBRE A AIR | DRUCKWAECHTER | LUCHTKAMER | 451.036.00 | X | | X | X |
| 311 | CAMPANA PRESSOSTATO | AIR TRAP | CHAMBRE A AIR | DRUCKWAECHTER | LUCHTKAMER | 451.059.00 | | X | | X |
| 312 | TUBO 12x19 | PIPE 12x19 | TUYAU 12x19 | ROHR 12x19 | SLANG 12x19 | 452.117.00 | X | X | X | X |
| 313 | RIPARTITORE | DISTRIBUTOR 3 WAY | REPARTITEUR 3 VOIES | VERTEILER | 3-WEGS VERDELER | 451.042.00 | X | X | X | X |
| 314 | TUBO 12x19 | PIPE 12x19 | TUYAU 12x19 | ROHR 12x19 | SLANG 12x19 | 452.041.00 | X | X | X | X |
| 315 | RACCORDO MANDATA | DELIVERY FITTING | DURITE DE REFOULEMENT | ZULEITUNGSANSCHLUSS | DURITE | 452.066.00 | X | X | X | X |
| 316 | RACCORDO ASPIRAZIONE | SUCTION FITTING | DURITE D'ASPIRATION | ABSAUGANSCHLUSS | DURITE | 452.066.00 | X | X | X | X |
| | | | | | | | | | | |
| | | | | | | | | | | |
| | | | | | | | | | | |

| | | | | | |
|-------------------------|---|---------------------------|---|--|----------------|
| MODEL: WR-LV50-M | A | MODEL: WR-LV50-MPS | C | | DATE: 03/2017 |
| MODEL: WR-LB40-M | B | MODEL: WR-LB40-MPS | D | | DOC:2532186.00 |

| POS. | DESCRIZIONE | DESCRIPTION | DENOMINATION | BENENNUNG | BESCHRIJVING | REFERENCE | A | B | C | D |
|------|------------------|------------------|-------------------|-----------------|----------------|------------|---|---|---|---|
| 317 | TUBO SCARICO | EXHAUST PIPE | TUYAU DE DECHARGE | ABLAUFROHR | AFVOERPIJP | 452.034.00 | X | X | X | X |
| 318 | RACCORDO SCARICO | DRAIN CONNECTION | DURITE COUDE | ABLAUFANSCHLUSS | GEBOGEN DURITE | 452.164.00 | | | X | X |
| 319 | TUBO SCARICO | EXHAUST PIPE | TUYAU DE DECHARGE | ABLAUFROHR | AFVOERPIJP | 452.042.00 | | | X | X |
| 320 | VALVOLA | VALVE | VALVE | VENTIL | VENTIEL | 510.296.00 | X | X | X | X |
| 321 | TUBO 12x19 | PIPE 12x19 | TUYAU 12x19 | ROHR 12x19 | SLANG 12x19 | 452.126.00 | X | X | X | X |
| | | | | | | | | | | |
| | | | | | | | | | | |
| | | | | | | | | | | |
| | | | | | | | | | | |
| | | | | | | | | | | |
| | | | | | | | | | | |
| | | | | | | | | | | |
| | | | | | | | | | | |
| | | | | | | | | | | |
| | | | | | | | | | | |
| | | | | | | | | | | |
| | | | | | | | | | | |
| | | | | | | | | | | |