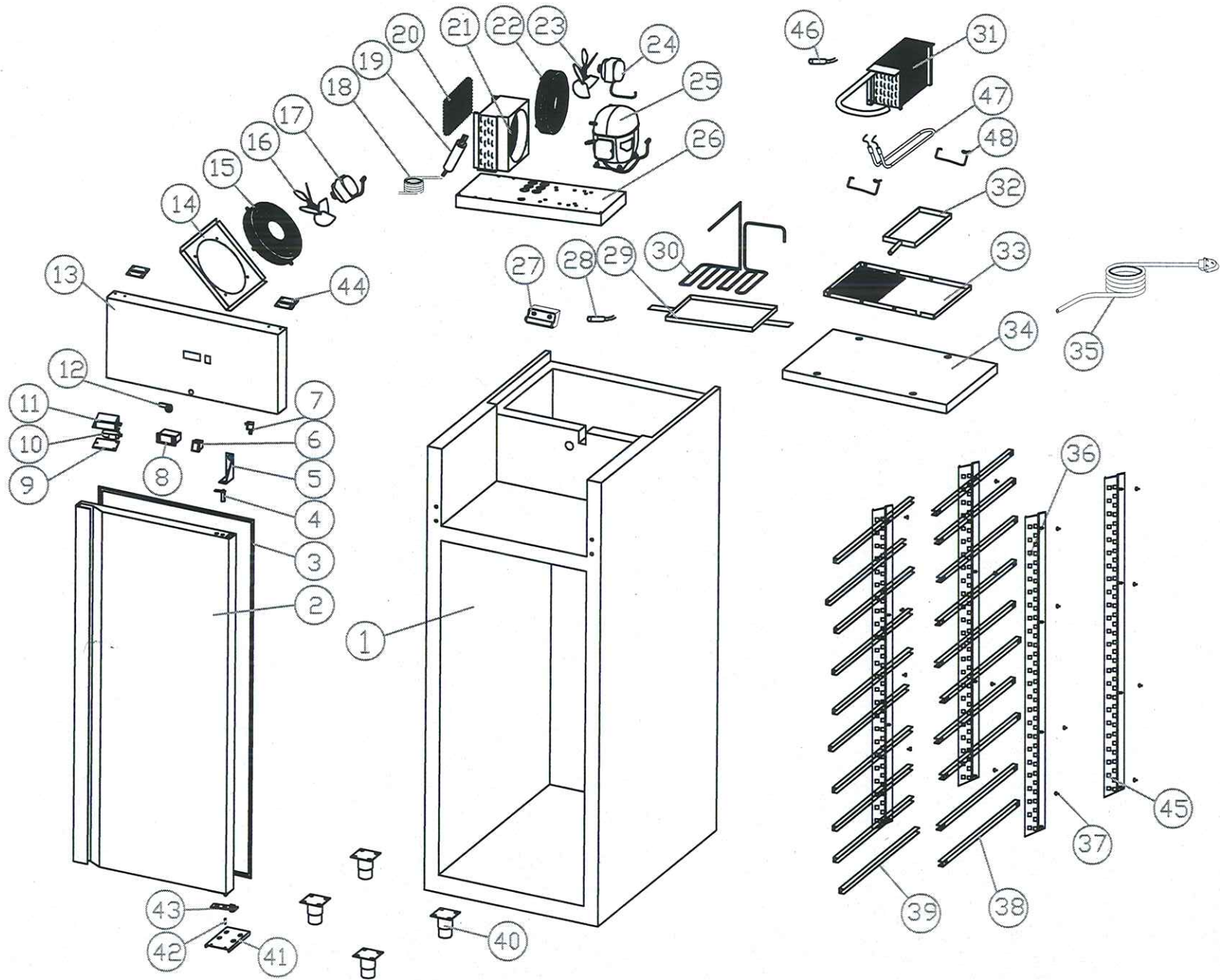


# EXPLODED VIEW OF GX-PA800BT



## GX-PA800BT PARTS LIST AND PRICES

			QTY
1	GX-PA800BT.01	cabinet	1
2	GX-PA800BT.02	door	1
3	GX-PA800BT.03	door gasket	1
4	GX-PA800BT.04	spring hinge	1
5	GX-PA800BT.05	right upper hinge	1
6	GX-PA800BT.06	power switch	1
7	GX-PA800BT.07	light/fan switch	1
8	GX-PA800BT.08	controller	1
9	GX-PA800BT.09	light cover	1
10	GX-PA800BT.10	LED light	1
11	GX-PA800BT.11	light box	1
12	GX-PA800BT.12	door lock	1
13	GX-PA800BT.13	panel	1
14	GX-PA800BT.14	motor board	1
15	GX-PA800BT.15	eva. fan cover	1
16	GX-PA800BT.16	eva. fan blade	1
17	GX-PA800BT.17	eva. fan	1
18	GX-PA800BT.18	capillary	1
19	GX-PA800BT.19	dryer filter	1
20	GX-PA800BT.20	filter net	1
21	GX-PA800BT.21	condenser	1
22	GX-PA800BT.22	cond.fan cover	1
23	GX-PA800BT.23	cond. Fan blade	1
24	GX-PA800BT.24	cond. Fan motor	1
25	GX-PA800BT.25	compressor	1
26	GX-PA800BT.26	cooling unit board	1
27	GX-PA800BT.27	sensor clip	1
28	GX-PA800BT.28	sensor	1
29	GX-PA800BT.29	outer drain pan	1
30	GX-PA800BT.30	high pressure pipe	1
31	GX-PA800BT.31	evaporator	1
32	GX-PA800BT.32	inner drain pan	1
33	GX-PA800BT.33	fan plate	1
34	GX-PA800BT.34	top cover	1
35	GX-PA800BT.35	power cord	1
36	GX-PA800BT.36	shelf holder	2
37	GX-PA800BT.37	M6 bolt	16
38	GX-PA800BT.38	right shelf guide	10
39	GX-PA800BT.39	left shelf guide	10
40	GX-PA800BT.40	feet	4
41	GX-PA800BT.41	right bottom hinge	1
42	GX-PA800BT.42	hinge axis	1
43	GX-PA800BT.43	door axis sleeve	1
44	GX-PA800BT.44	panel connect	2

45	GX-PA800BT.45	shelf holder	2
46	GX-PA800BT.46	eva. sensor	1
47	GX-PA800BT.47	heater	1
48	GX-PA800BT.48	defrost heater clip	2