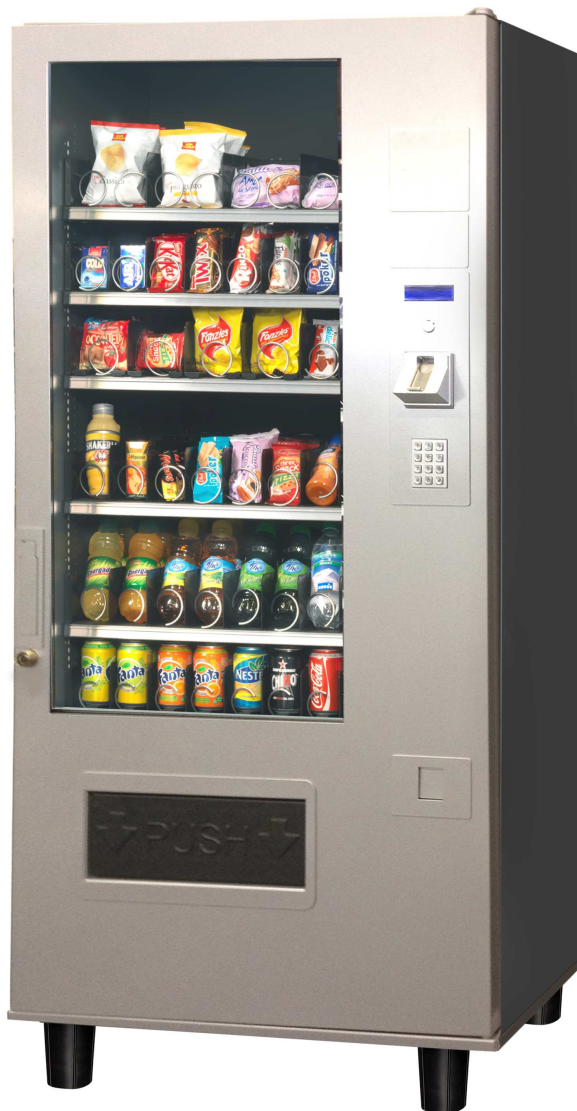




Spare Parts Catalogue

Budget Snack [BS8]

Revision: 008 Date: 17/03/2015



This pdf Manual has been created on the date indicated.
The latest version (inter-active) is available on web-site www.sandenvendo.com Client Area.
Thank you

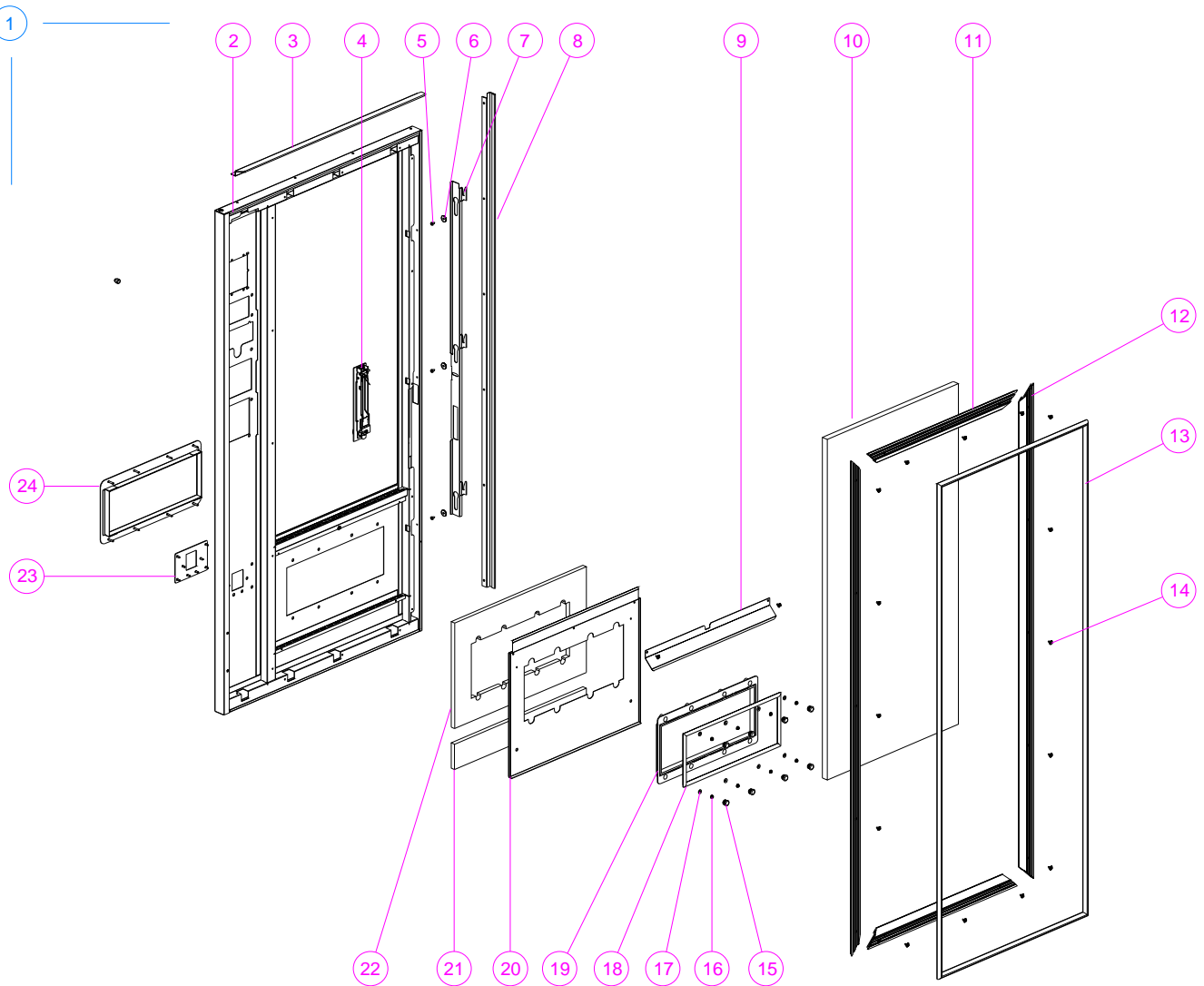


English Version

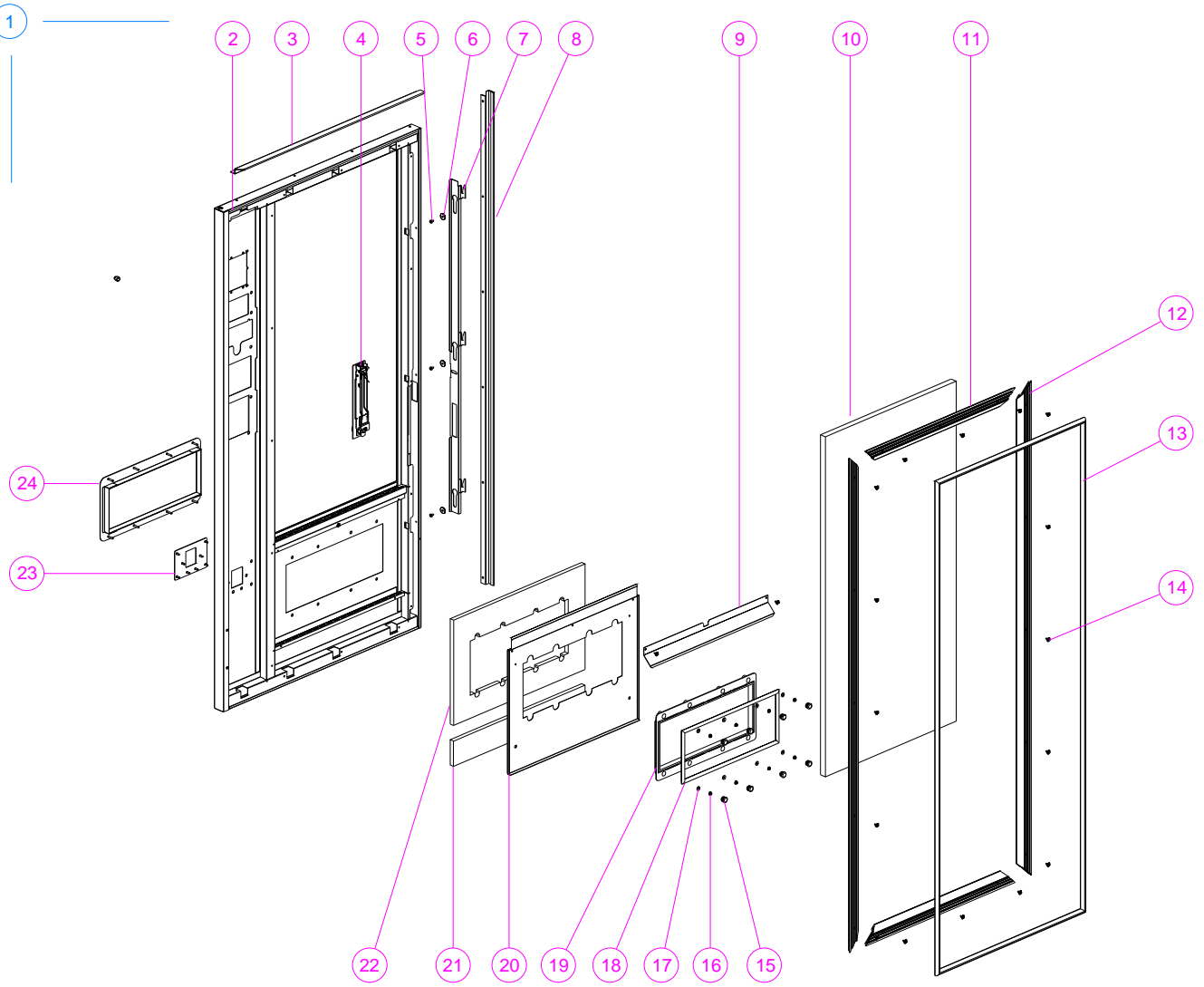
Vendo
SANDEN

Index

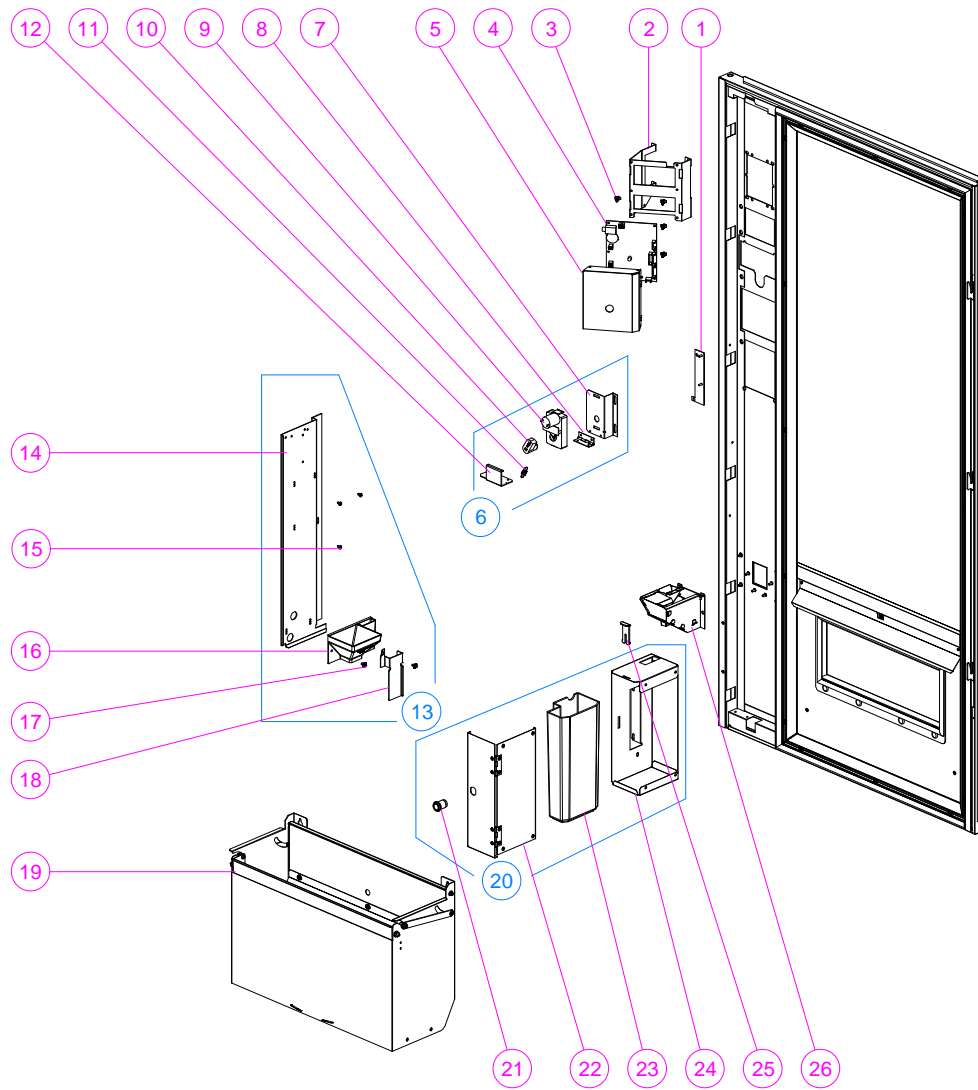
Contents	Page
Door	2 - 3
Door: Control Panel Unit	4 - 5
Door Lock	6
Delivery Eyelet	7
New STD Coin Insert	8 - 9
Old STD Coin Insert (part 1)	10
Old STD Coin Insert (part 2)	11
New SCI Coin Insert (part 1)	12 - 13
New SCI Coin Insert (part 2)	14 - 15
Old SCI Coin Insert (part 1)	16
Old SCI Coin Insert (part 2)	17
Display	18
Cabinet	19 - 20 - 21
Box Transformer	22 - 23
Old Box Transformer	24 - 25
Refrigerant Unit	26
Tray	27 - 28
Set-Up Spiral	29
Electrical Diagram from S/N: 2219008455	30
Electrical Diagram Up To S/N: 2217007033	31
2 Temperatures Divisor Kit	32
Various Kit	33
Revision	34



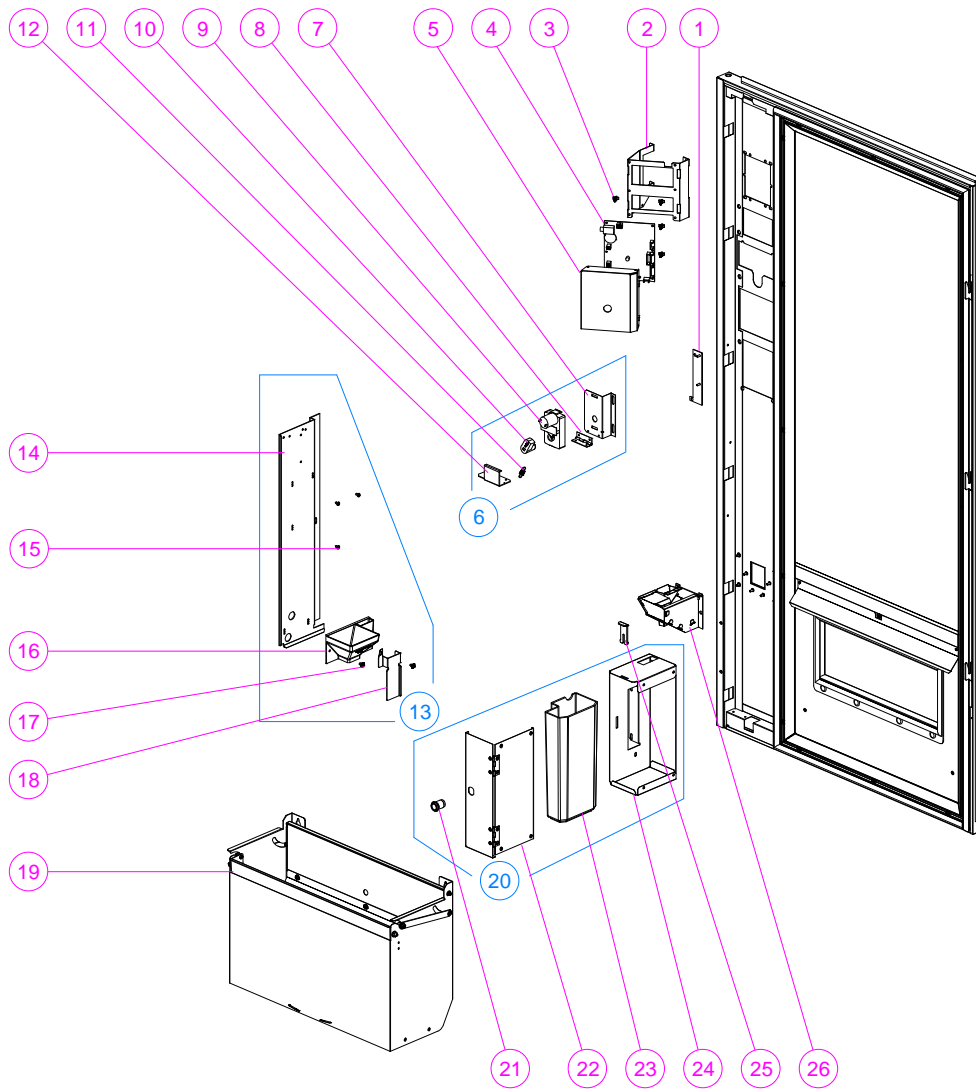
Pos	Code	Description	Serial Number Nota
1	143025	BS8 FLAT DOOR ASSEMBLY	
2	143063	DOOR WELD ASSY	
3	412027	UPPER DOOR PROTECTION	
4	143249	BS8 LOCK ASSY	
5	V800622	TAPPING SCREW	
6	405868	BUSHING	
7	411750	LOCK SLIDE ROD	->
8	412026	LH DOOR PROTECTION	
9	411668	PRODUCT CHUTE	
10	405796/5	GLASS GS6 1157X568.5X22	
11	411564/1	UPPER - LOWER GASKET PROFILE	
12	411564/2	VERTICAL GASKET PROFILE	
13	401243/28	INNER DOOR GASKET	
14	V800570	SCREW T1+4,8X9,5 S.POINT	
15	403371	PLUG	
16	398224/1	NUT, FLANGED 4MA MILLED	
17	381240	WASHER 4X12X1	
18	403589	DELIVERY EYELET RUBBER PACKING	
19	403598/2	HS5 INNER TRIM	
20	411577	DELIVERY EYELET REAR PANEL	
21	412316/1	LOWER INSULATING PANEL	



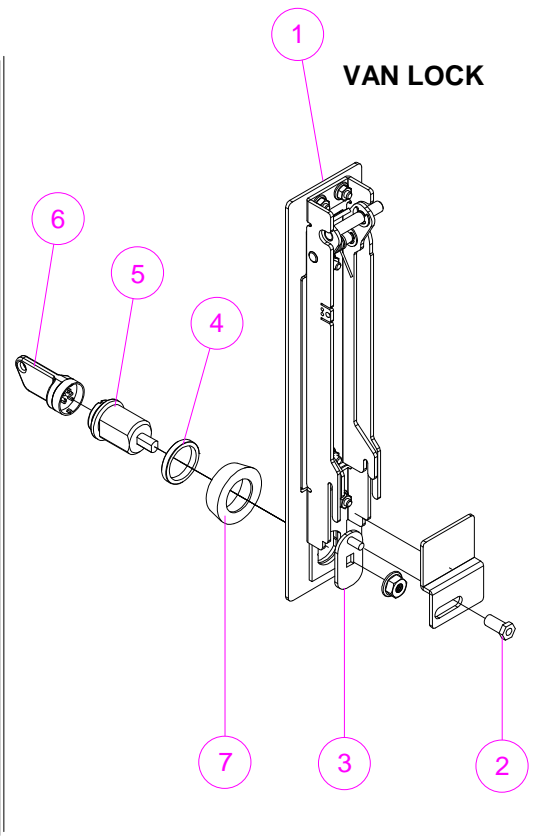
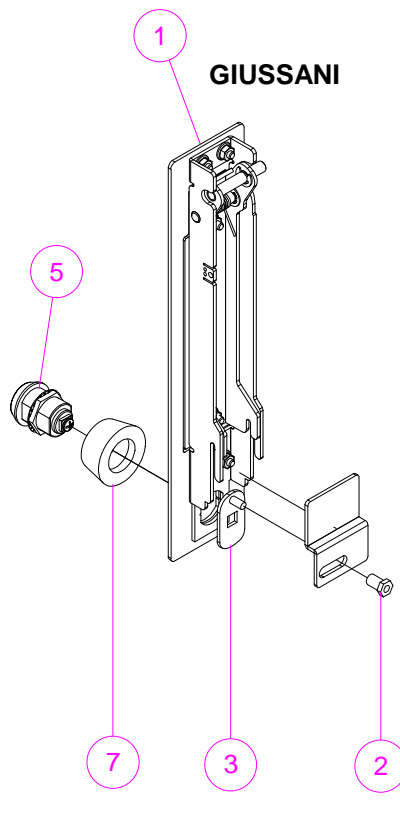
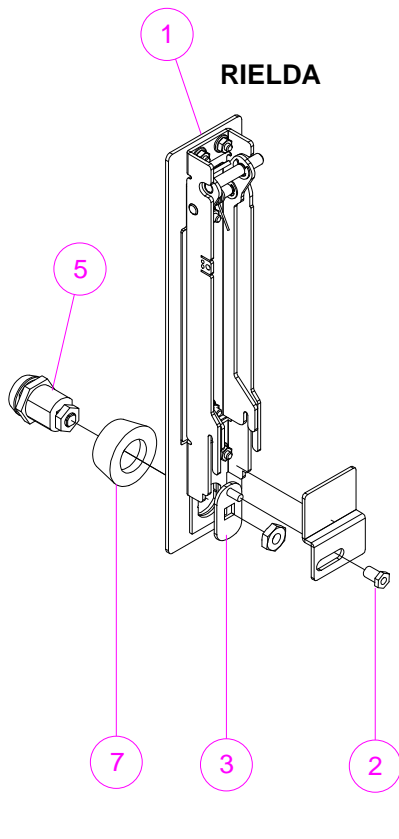
Pos	Code	Description	Serial Number Nota
22	412316	UPPER UNSULATING PANEL	
23	143243	COIN RETURN PLATE WELD ASSY	
24	143161	DELIVERY EYELET TRIM WELD ASSY	



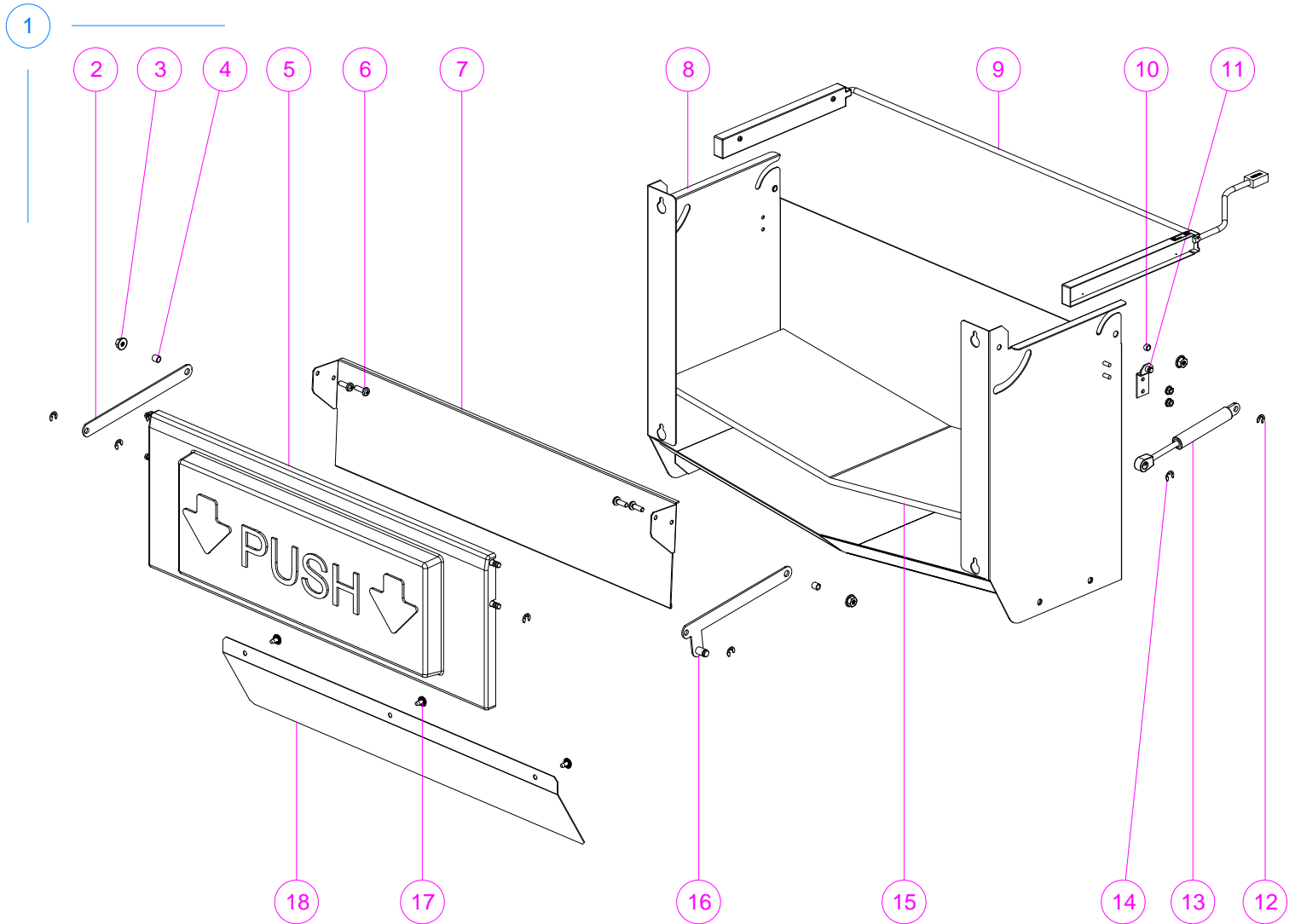
Pos	Code	Description	Serial Number Nota
1	143246	COIN RETURN MOTOR PLATE RIVETED ASSY	
2	411633	BOARD SUPPORT	000000000 - 2419009157
2	413594	BOARD SUPPORT	2419009943 - ZZZZZZZZZZ
3	386348	SUPPORT	
4	408575	SF-01 BOARD	
5	411952	BOARD COVER	2219008455 - 2419009157
5	413595	BOARD COVER	2419009943 - ZZZZZZZZZZ
6	143194	COINS RETURN MOTOR ASSY	
7	411676	COIN RETURN MOTOR SUPPORT	
8	395336	HINGE	
9	411892	FIBER MOTOR	
10	411352	MONEY RETURN CAM	
11	395450	SPRING	
12	411677	LEVER COIN RETURN	
13	143191	COINAGE SUPPORT ASSY	
14	411614	COIN BOX SUPPORT	
15	V800611	SCREW 4,2x9,5	
16	411507	COIN RETURN CONVEYOR	
17	V800570	SCREW T1+4,8X9,5 S.POINT	
18	412740	COINS CHANNEL	
19		Delivery Eyelet	



Pos	Code	Description	Serial Number Nota
20	143320	COIN BOX WITH LOCK 3004 ASSY	
21	123785...	LOCK WITH KEYS	Pls. Specify lock / key code
22	143730	COIN BOX DOOR ASSY	
23	400772	COIN BOX	
24	411630	COIN BOX SUPPORT	
25	400773	KEY	
26	143165	BOX COIN RETURN ASSY	

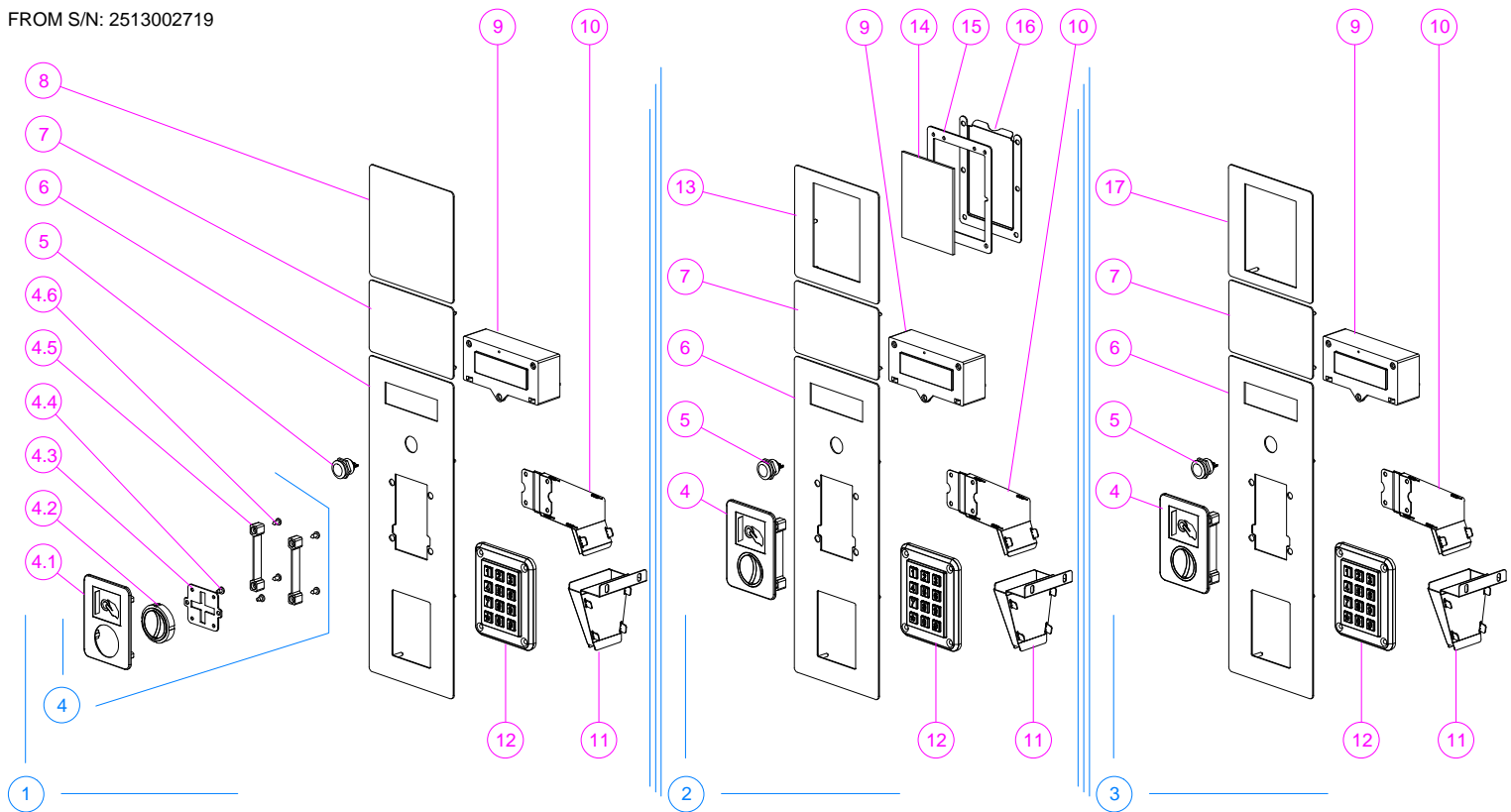


Pos	Code	Description	Serial Number Nota
1	143249	BS8 LOCK ASSY	
2	411834	THREAD BUSHING M4	
2	411834/1	THREAD BUSHING M4 VL	Only Van Lock
3	143254	LOCK LEVER RIVET ASSY	
3	143495	VL LOCK LEVER RIVET ASSY	Only Van Lock
4	412036	LOCK SPACER	Only Van Lock
4	412210	SPACER FOR VAN LOCK	Only Van Lock
5	411746	LOCK	
5	412383	LOCK G10B4KA1000 NUMBER 2001	
5	412383/1	LOCK G10B4KD DIFERENT NUMBER	
5	412383/2	LOCK G10B4KA CIF.12027	
5	412383/3	LOCK G10B4KA CIF.16260	
5	412383/4	LOCK G10B4KA CIF.22805	
5	412383/5	LOCK G10B4KA JASKI	
5	412238	LOCK LC90RM1	Only Van Lock
6	412239	KEY K5KEYM1	Only Van Lock
7	408816/2	NICKEL PLATED LOCK SOCKET	



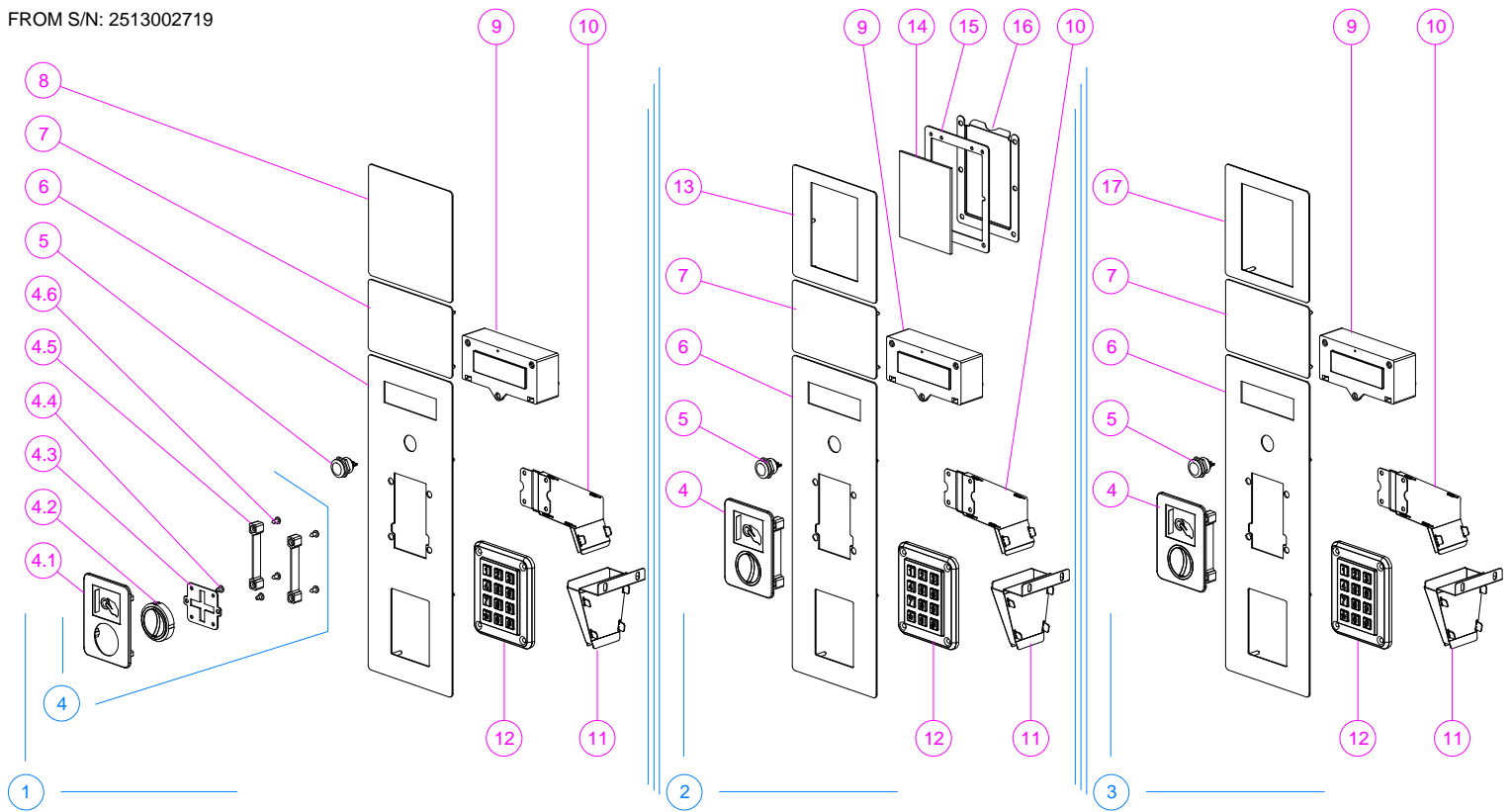
Pos	Code	Description	Serial Number Nota
1	143148/1	LOW COST SNACK DELIVERY EYELET	
2	411658	LEVER GUIDE ANTI-THEFT	
3	398224/2	NUT M5	
4	386067/1	SPACER IRON 5x7x12.5	
5	143151	LOW COST DOOR FOAMED ASSY	
6	381290/2	SCREW TC+ 5MAX15	
7	411657	EYELET ANTI-THEFT REINFORCEMENT PANEL	
8	143196	DELIVERY EYELET SNACK L.C. WELD ASSY	
9	141351	OPTICS BARRIER KIT (long wiring)	
10	386067	SPACER 5X7X3,9	
11	143208	PISTON HOOK	
12	381442/5	SEEGER	
13	411815	GAS SPRING 35N	
14	381442	SEEGER Ø6 UNI 6799	
15	403857/4	SPONGE RUBBER 535x190x8	
16	143219	LEVER ANTI-THEFT	
17	V800570	SCREW T1+4,8X9,5 S.POINT	
18	411856	ANTI-THEFT ANGULAR	->

FROM S/N: 2513002719



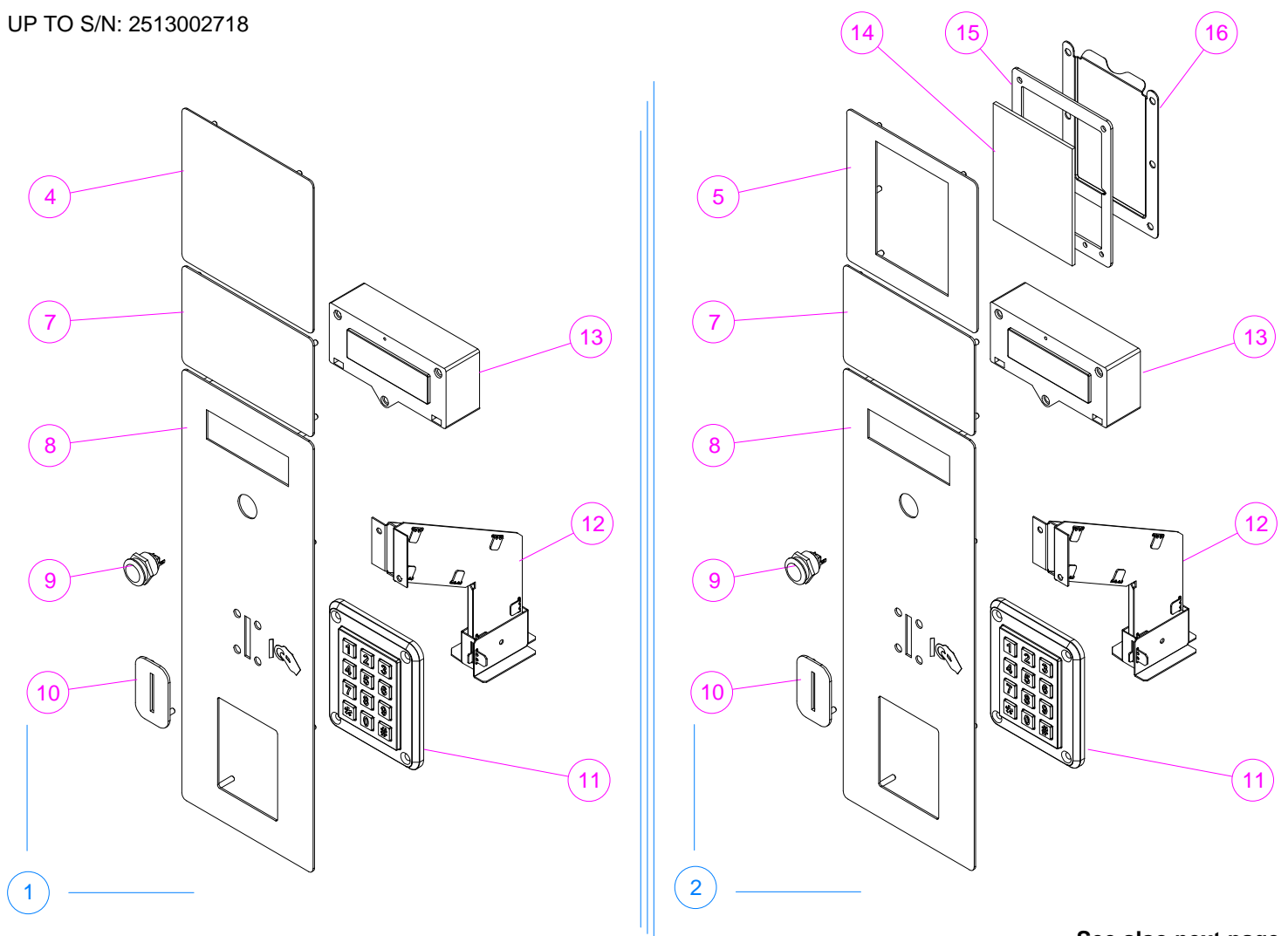
Pos	Code	Description	Serial Number Nota
1	143679	PLUG-PLUG STD COIN INSERT	2513002719 - ZZZZZZZZZZ
2	143679/1	WINDOW-PLUG STD COIN INSERT	2513002719 - ZZZZZZZZZZ
3	143679/2	READER-PLUG STD COIN INSERT	2513002719 - ZZZZZZZZZZ
4	143672	STD COIN INSERT ASSY	2513002719 - ZZZZZZZZZZ
4.1	412322	STD COIN INSERT	2513002719 - ZZZZZZZZZZ
4.2	412213	STD COIN INSERT MODULE	2513002719 - ZZZZZZZZZZ
4.3	412392	COIN INSERT FLANGE	2513002719 - ZZZZZZZZZZ
4.4	V800565	SCREW T1+4,2X6,5 S.POINT	2513002719 - ZZZZZZZZZZ
4.5	412476	DOUBLE FIXING SUPPORT	2513002719 - ZZZZZZZZZZ
4.6	V800611	SCREW 4,2x9,5	2513002719 - ZZZZZZZZZZ
5	408964	PUSH BUTTON EAO	
6	143616	COIN INSERT WELD ASSY	2513002719 - ZZZZZZZZZZ
7	143244	PLUG WELD ASSY	
8	143275	CBV COVER PLATE ASSY	Only with p/n 143679
9		Display	Pag. 18
10	143680	INTRODUCTION COINS CHANNEL ASSY	2513002719 - ZZZZZZZZZZ
11	143678	COIN CHANGER CHANNEL ASSY	2513002719 - ZZZZZZZZZZ
12	411078	KEYBOARD WITH PLASTIC BUTTON	
13	143308	WINDOW PLATE WELD ASSY	Only with p/n 143679/1
14	398015	WINDOW PANEL	Only with p/n 143679/1
15	398689	INSULATION	Only with p/n 143679/1

FROM S/N: 2513002719



Pos	Code	Description	Serial Number Nota
16	411305	REAR COVER HOLE READER	Only with p/n 143679/1
17	143309	CBV COLLAR WELD ASSY	Only with p/n 143679/2

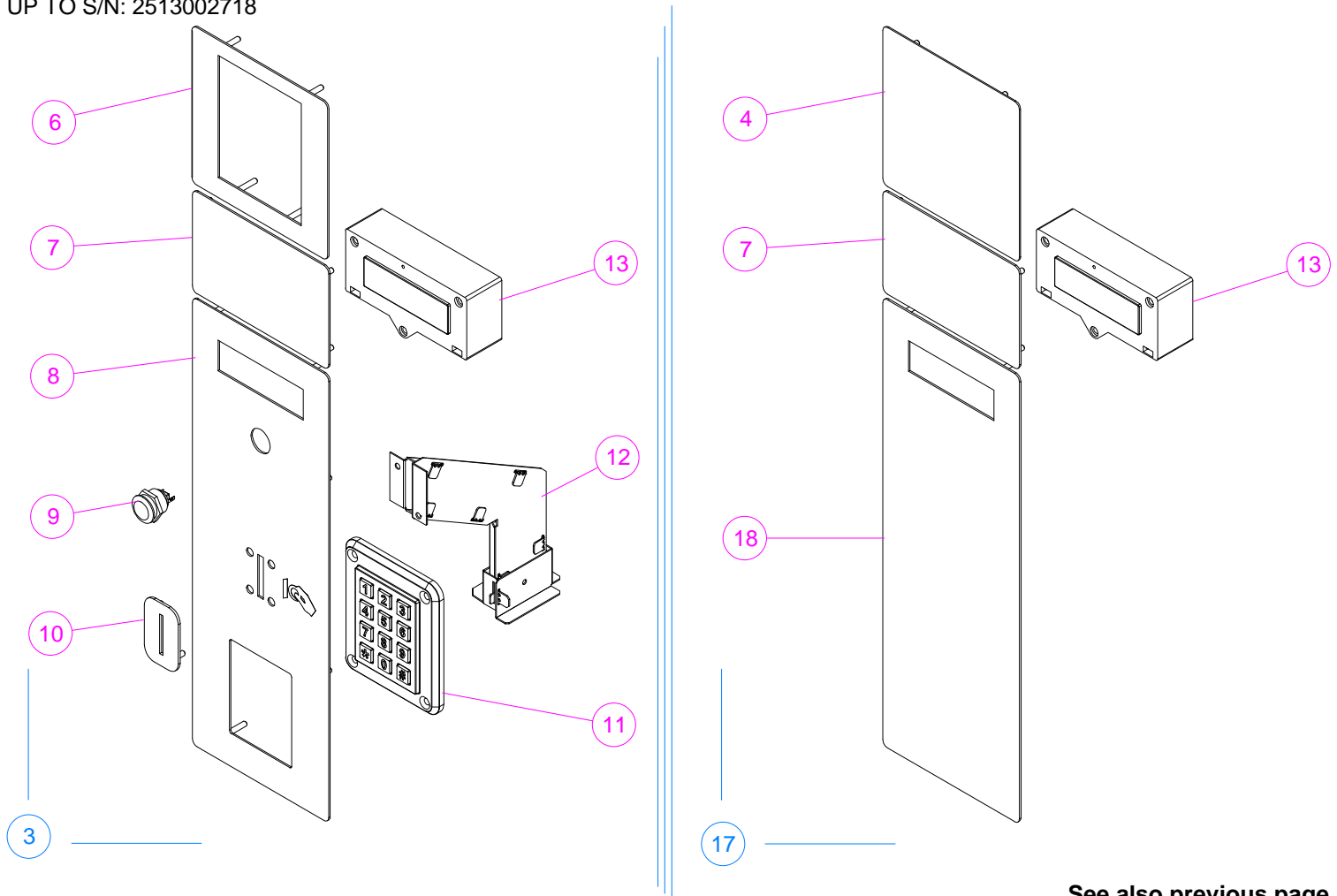
UP TO S/N: 2513002718



See also next page

Pos	Code	Description	Serial Number Nota
1	143238	STD PANEL COIN INSERT ASSY	0000000000 - 2513002718
2	143238/1	STD-WINDOW COIN INSERT	0000000000 - 2513002718
4	143275	CBV COVER PLATE ASSY	Only with p/n 143238
5	143308	WINDOW PLATE WELD ASSY	Only with p/n 143238/1
7	143244	PLUG WELD ASSY	
8	143237	STD COIN INSERT PLATE WELD ASSY	0000000000 - 2513002718
9	408964	PUSH BUTTON EAO	
10	143182	WELD COIN INSERT ASSY	0000000000 - 2513002718
11	411078	KEYBOARD WITH PLASTIC BUTTON	
12	143166	COIN CHUTE ASSY	0000000000 - 2513002718
13		Display	Pag. 18
14	398015	WINDOW PANEL	
15	398689	INSULATION	
16	411305	REAR COVER HOLE READER	
-		Old STD Coin Insert (part 2)	

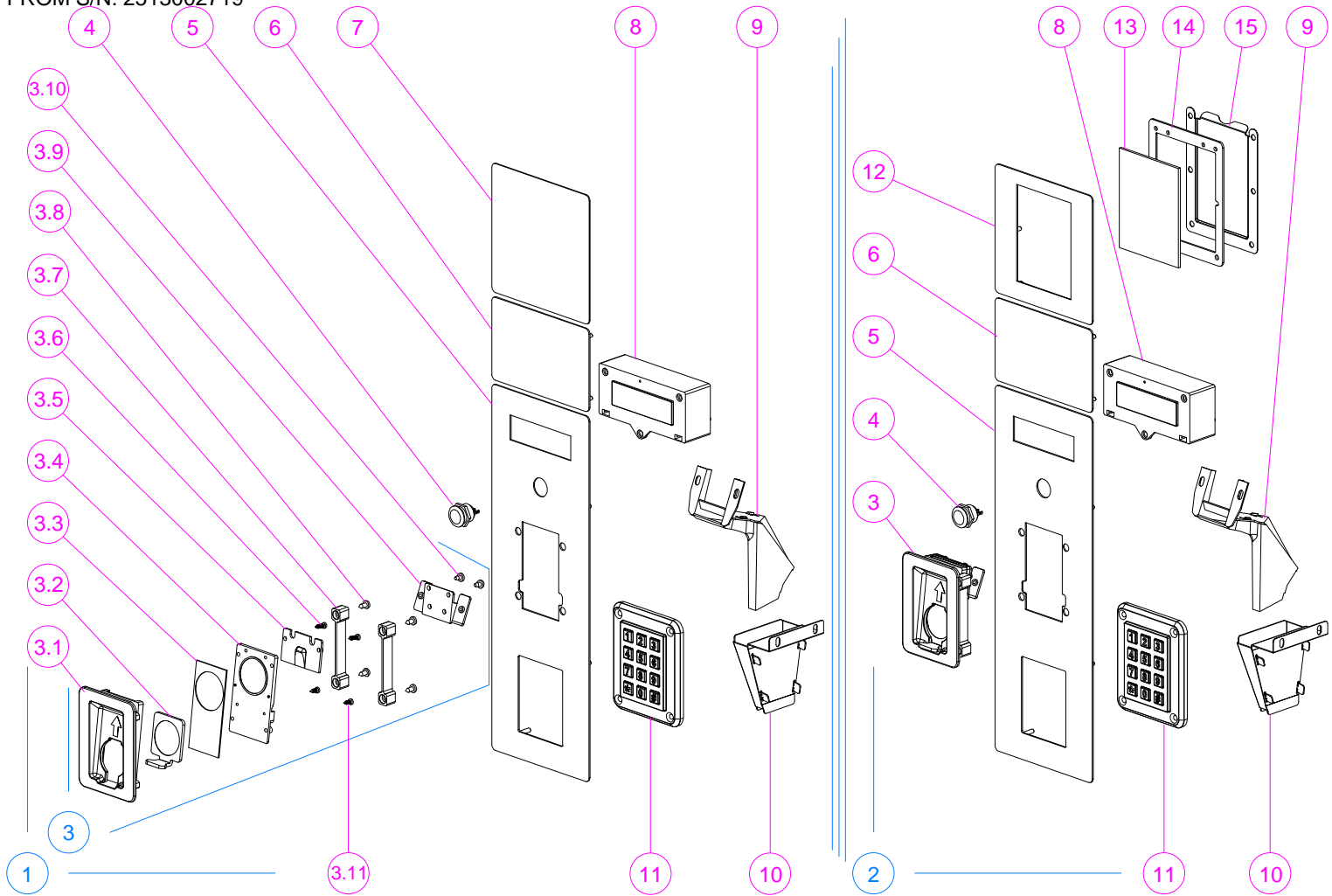
UP TO S/N: 2513002718



See also previous page

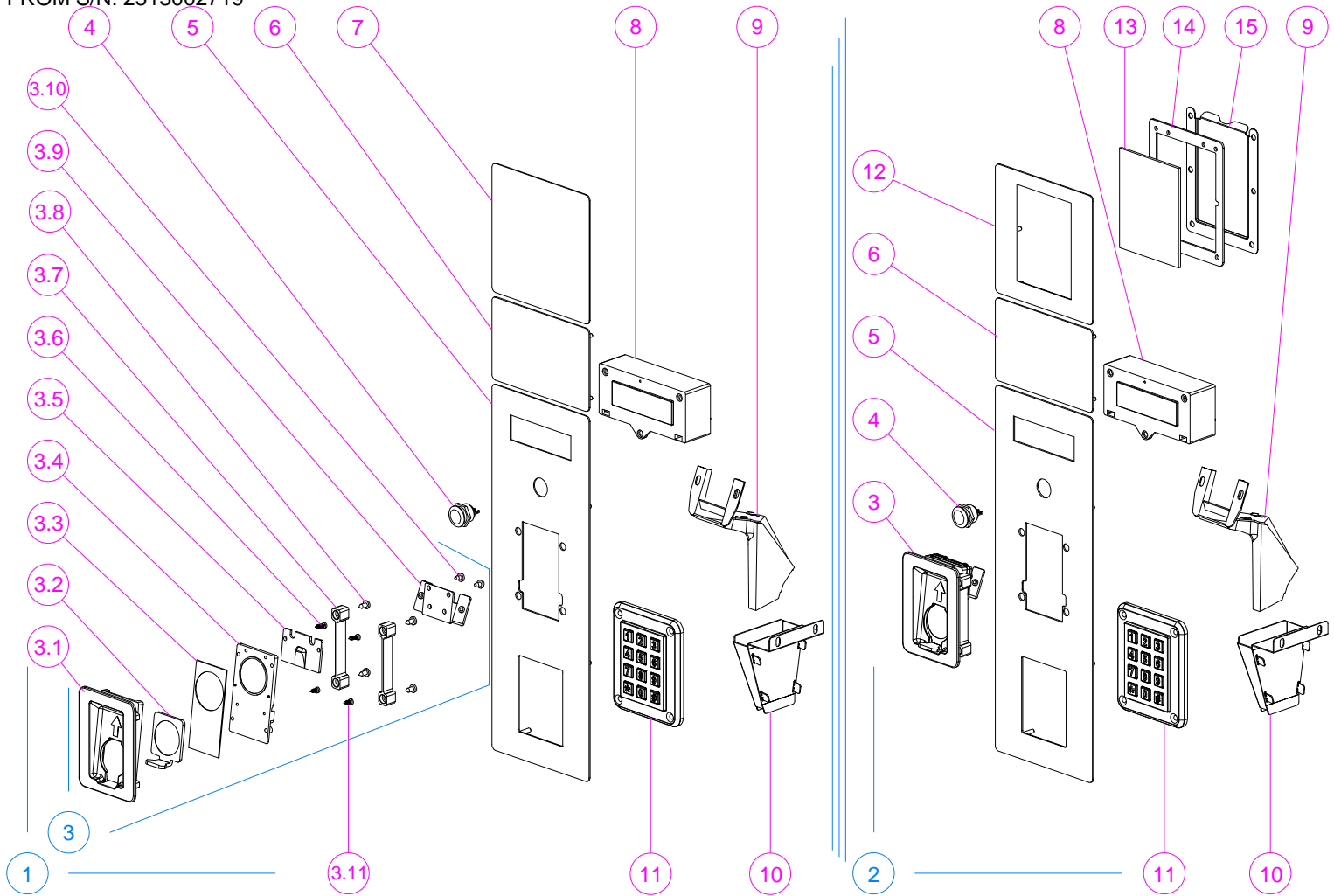
Pos	Code	Description	Serial Number Nota
3	143238/2	PLUG-PLUG SCI COIN INSERT	0000000000 - 2513002718
4	143275	CBV COVER PLATE ASSY	Only with p/n 143238/3
6	143309	CBV COLLAR WELD ASSY	Only with p/n 143238/2
7	143244	PLUG WELD ASSY	->
8	143237	STD COIN INSERT PLATE WELD ASSY	0000000000 - 2513002718
9	408964	PUSH BUTTON EAO	
10	143182	WELD COIN INSERT ASSY	0000000000 - 2513002718
11	411078	KEYBOARD WITH PLASTIC BUTTON	
12	143166	COIN CHUTE ASSY	0000000000 - 2513002718
13		Display	Pag. 18
17	143238/3	SAUDI ARABIA COIN INSERT ASSY	
18	143237/1	SAUDI ARABIA COIN INSERT WELD ASSY	->
-		Old STD Coin Insert (part 1)	

FROM S/N: 2513002719



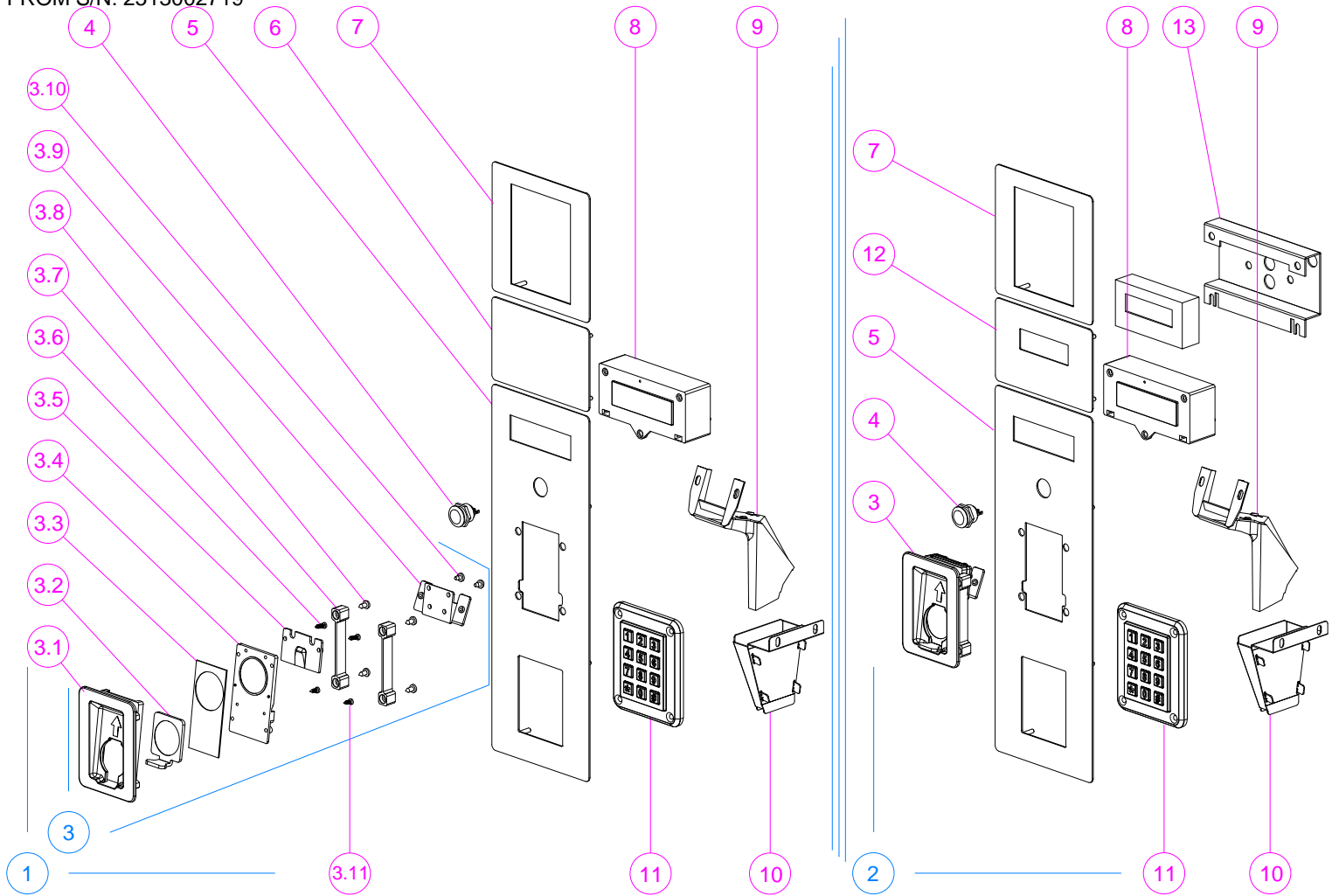
Pos	Code	Description	Serial Number Nota
1	143677	PLUG-PLUG SCI COIN INSERT	2513002719 - ZZZZZZZZZZ
2	143677/1	WINDOW-PLUG SCI COIN INSERT	2513002719 - ZZZZZZZZZZ
3	143597/1	SLIDE COIN INSERT ASSY	2513002719 - ZZZZZZZZZZ
3.1	412212	SLIDE COIN INSERT	2513002719 - ZZZZZZZZZZ
3.2	412326	DRAFT COINS INSERT	2513002719 - ZZZZZZZZZZ
3.3	412325	SCROLLING PLATE	2513002719 - ZZZZZZZZZZ
3.4	412323	SLIDE REAR PLATE	2513002719 - ZZZZZZZZZZ
3.5	412324	COINS DEFLECTOR	2513002719 - ZZZZZZZZZZ
3.6	402902	SCREW TL PZ CIL 3.5X12	2513002719 - ZZZZZZZZZZ
3.7	412476	DOUBLE FIXING SUPPORT	2513002719 - ZZZZZZZZZZ
3.8	V800611	SCREW 4,2x9,5	2513002719 - ZZZZZZZZZZ
3.9	412225	COIN CHANNEL SUPPORT	2513002719 - ZZZZZZZZZZ
3.10	V800565	SCREW T1+4,2X6,5 S.POINT	2513002719 - ZZZZZZZZZZ
3.11	402902/1	SCREW TL PZ CIL 3.5X9	2513002719 - ZZZZZZZZZZ
4	408964	PUSH BUTTON EAO	
5	143616	COIN INSERT WELD ASSY	2513002719 - ZZZZZZZZZZ
6	143244	PLUG WELD ASSY	
7	143275	CBV COVER PLATE ASSY	Only with p/n 143677
8		Display	Pag. 18
9	139888	SLIDE COIN CHUTE ASSY	
10	143678	COIN CHANGER CHANNEL ASSY	2513002719 - ZZZZZZZZZZ

FROM S/N: 2513002719



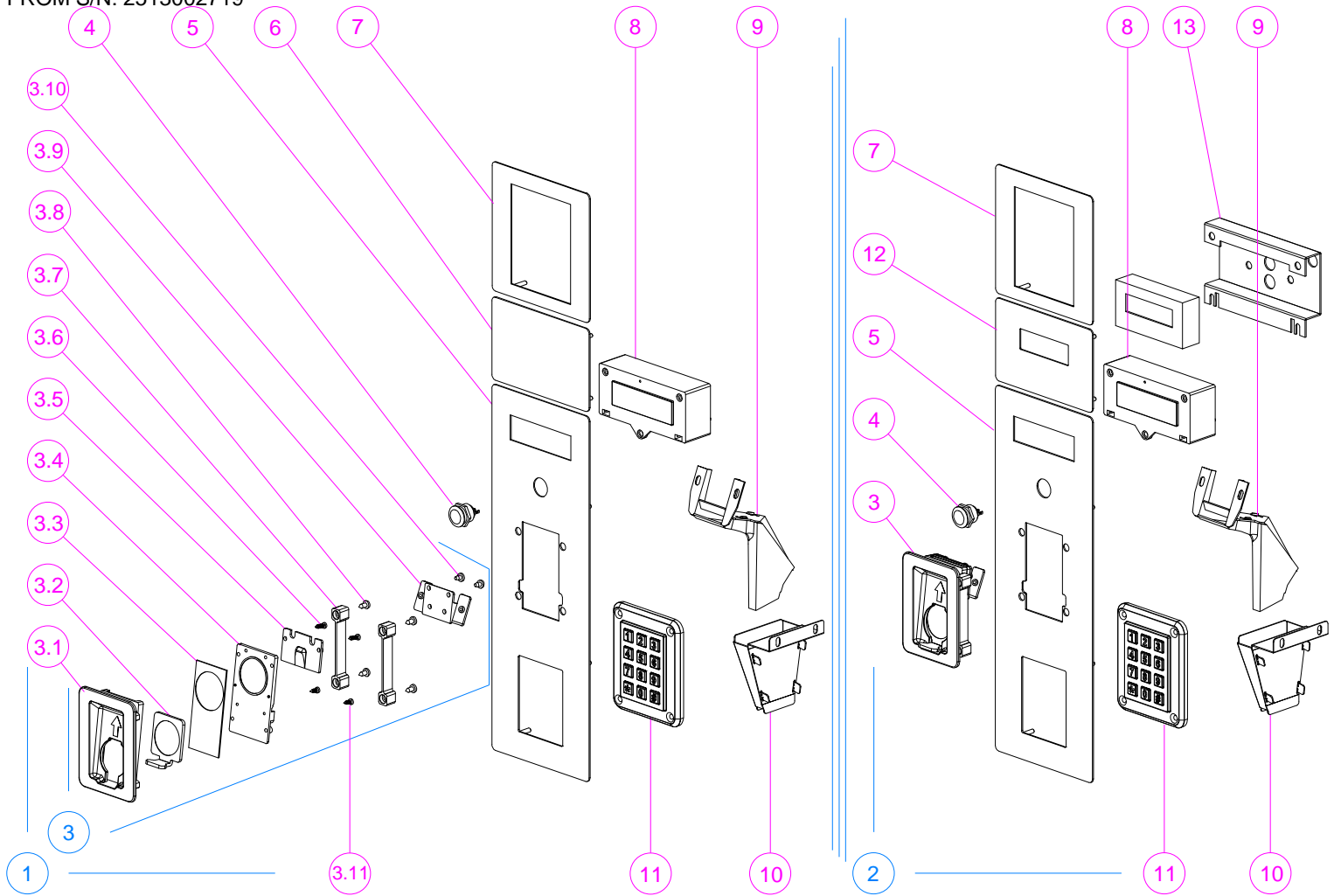
Pos	Code	Description	Serial Number Nota
11	397966	KEYBOARD	
12	143308	WINDOW PLATE WELD ASSY	Only with p/n 143677/1
13	398015	WINDOW PANEL	Only with p/n 143677/1
14	398689	INSULATION	Only with p/n 143677/1
15	411305	REAR COVER HOLE READER	Only with p/n 143677/1

FROM S/N: 2513002719



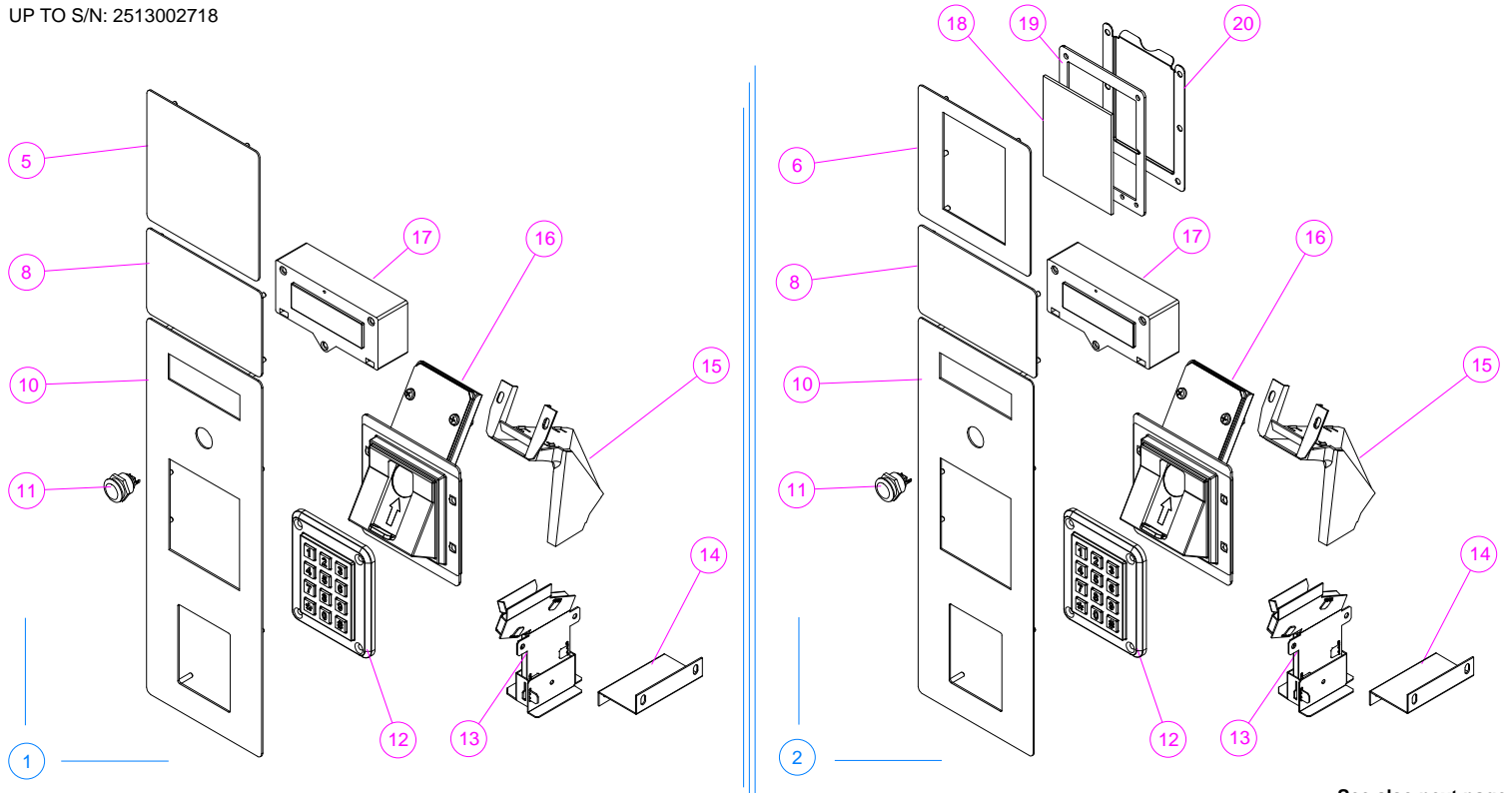
Pos	Code	Description	Serial Number Nota
1	143677/2	READER-PLUG SCI COIN INSERT	2513002719 - ZZZZZZZZZZ
2	143677/3	DOUBLE DISPLAY SCI COIN INSERT ASSY	2513002719 - ZZZZZZZZZZ
3	143597/1	SLIDE COIN INSERT ASSY	2513002719 - ZZZZZZZZZZ
3.1	412212	SLIDE COIN INSERT	2513002719 - ZZZZZZZZZZ
3.2	412326	DRAFT COINS INSERT	2513002719 - ZZZZZZZZZZ
3.3	412325	SCROLLING PLATE	2513002719 - ZZZZZZZZZZ
3.4	412323	SLIDE REAR PLATE	2513002719 - ZZZZZZZZZZ
3.5	412324	COINS DEFLECTOR	2513002719 - ZZZZZZZZZZ
3.6	402902	SCREW TL PZ CIL 3.5X12	2513002719 - ZZZZZZZZZZ
3.7	412476	DOUBLE FIXING SUPPORT	2513002719 - ZZZZZZZZZZ
3.8	V800611	SCREW 4,2x9,5	2513002719 - ZZZZZZZZZZ
3.9	412225	COIN CHANNEL SUPPORT	2513002719 - ZZZZZZZZZZ
3.10	V800565	SCREW T1+4,2X6,5 S.POINT	2513002719 - ZZZZZZZZZZ
3.11	402902/1	SCREW TL PZ CIL 3.5X9	2513002719 - ZZZZZZZZZZ
4	408964	PUSH BUTTON EAO	
5	143616	COIN INSERT WELD ASSY	2513002719 - ZZZZZZZZZZ
6	143244	PLUG WELD ASSY	
7	143309	CBV COLLAR WELD ASSY	
8		Display	Pag. 18
9	139888	SLIDE COIN CHUTE ASSY	
10	143678	COIN CHANGER CHANNEL ASSY	2513002719 - ZZZZZZZZZZ

FROM S/N: 2513002719



Pos	Code	Description	Serial Number Nota
11	397966	KEYBOARD	
12	143244/1	PLUG WELD ASSY	Only with p/n 143677/3
13	412179	DISPLAY SUPPORT DP-65 KL	Only with p/n 143677/3

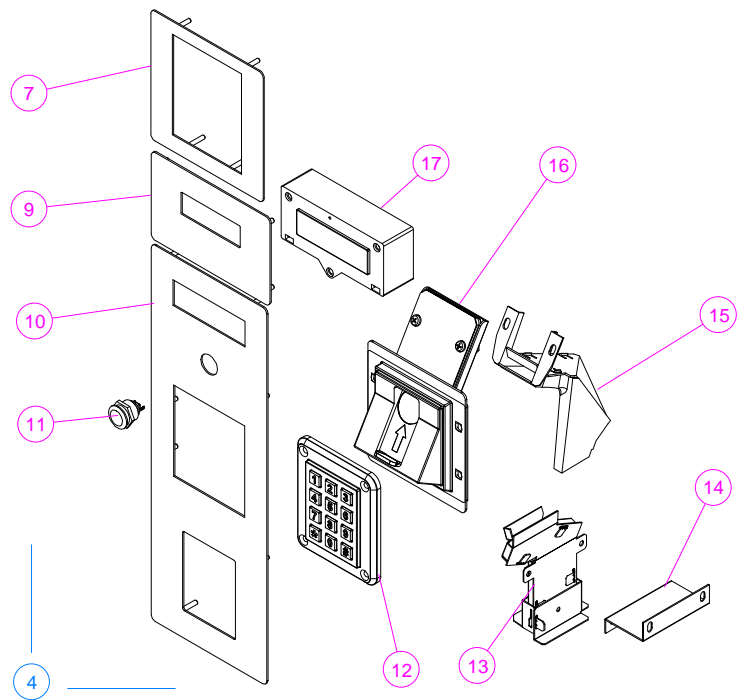
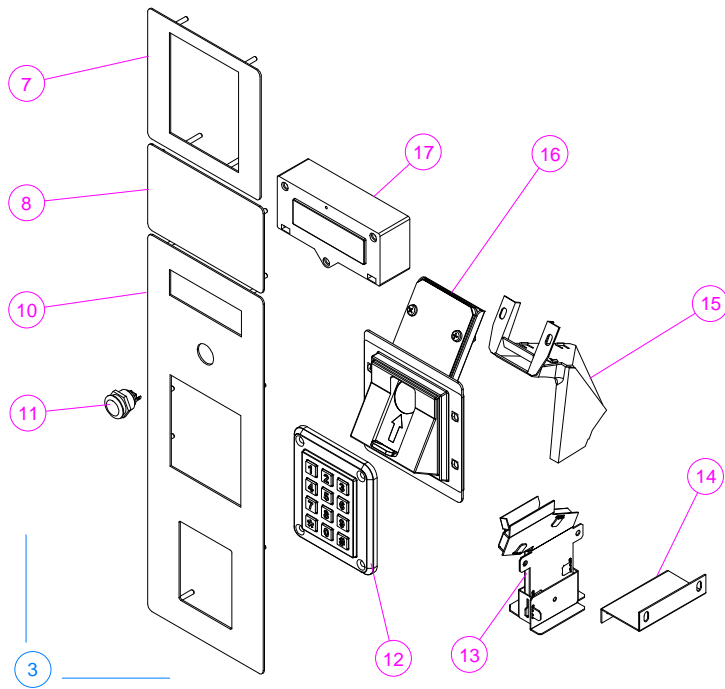
UP TO S/N: 2513002718



See also next page

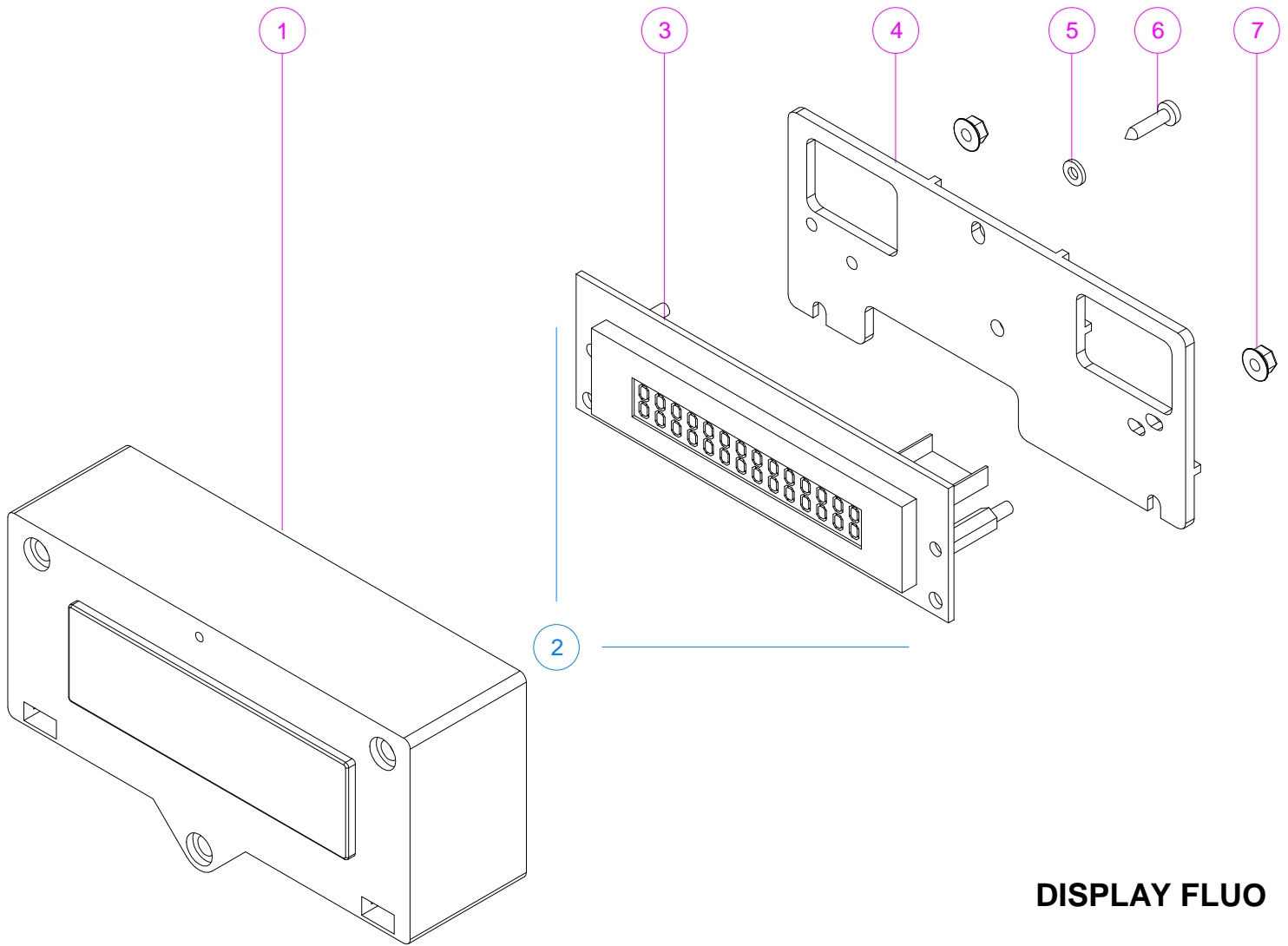
Pos	Code	Description	Serial Number Nota
1	143239	PLUG-PLUG SCI PANEL COIN INSERT ASSY	0000000000 - 2513002718
2	143239/1	WINDOW-PLUG SCI PANEL COIN INSERT ASSY	0000000000 - 2513002718
5	143275	CBV COVER PLATE ASSY	Only with p/n 143239
6	143308	WINDOW PLATE WELD ASSY	Only with p/n 143239/1
8	143244	PLUG WELD ASSY	
10	143236	SCI COIN INSERT PLATE WELD ASSY	0000000000 - 2513002718
11	408964	PUSH BUTTON EAO	->
12	397966	KEYBOARD	
13	143242	COINS CHANNEL ASSY	0000000000 - 2513002718
14	411831	COINS CHANNEL SUPPORT	0000000000 - 2513002718
15	139888	SLIDE COIN CHUTE ASSY	
16	137350	SLIDE COINS INSERT ASSY	0000000000 - 2513002718
17		Display	Pag. 18
18	398015	WINDOW PANEL	
19	398689	INSULATION	
20	411305	REAR COVER HOLE READER	
-		Old SCI Coin Insert (part 2)	

UP TO S/N: 2513002718



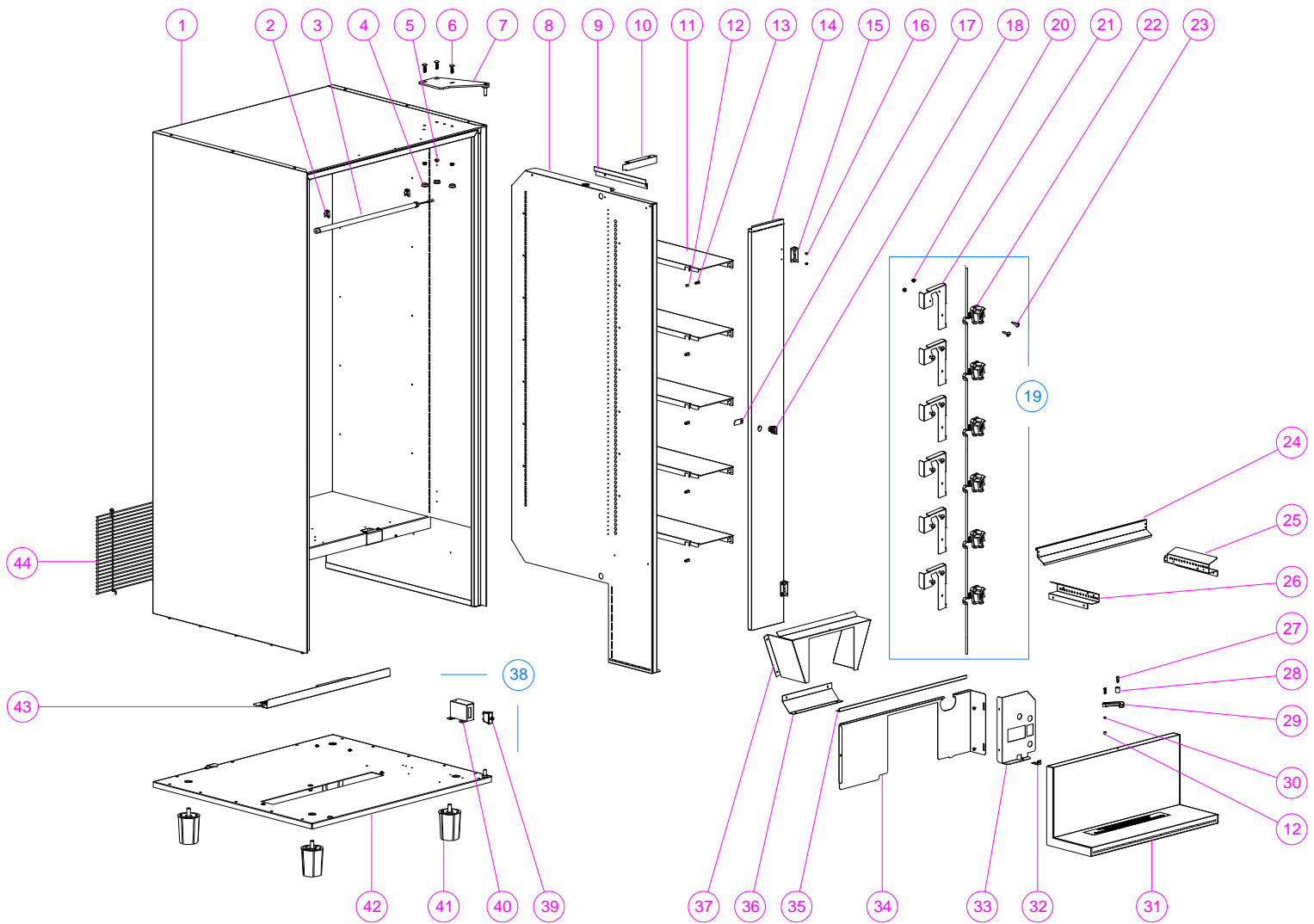
See also previous page

Pos	Code	Description	Serial Number Nota
3	143239/2	READER-PLUG SCI PANEL COIN INSERT ASSY	0000000000 - 2513002718
4	143239/3	DOUBLE DISPLAY SCI PANEL COIN INSERT ASSY	0000000000 - 2513002718
7	143309	CBV COLLAR WELD ASSY	
8	143244	PLUG WELD ASSY	Only with p/n 143239/2
9	143244/1	PLUG WELD ASSY	Only with p/n 143239/3
10	143236	SCI COIN INSERT PLATE WELD ASSY	0000000000 - 2513002718
11	408964	PUSH BUTTON EAO	->
12	397966	KEYBOARD	
13	143242	COINS CHANNEL ASSY	0000000000 - 2513002718
14	411831	COINS CHANNEL SUPPORT	0000000000 - 2513002718
15	139888	SLIDE COIN CHUTE ASSY	
16	137350	SLIDE COINS INSERT ASSY	0000000000 - 2513002718
17		Display	Pag. 18
-		Old SCI Coin Insert (part 1)	

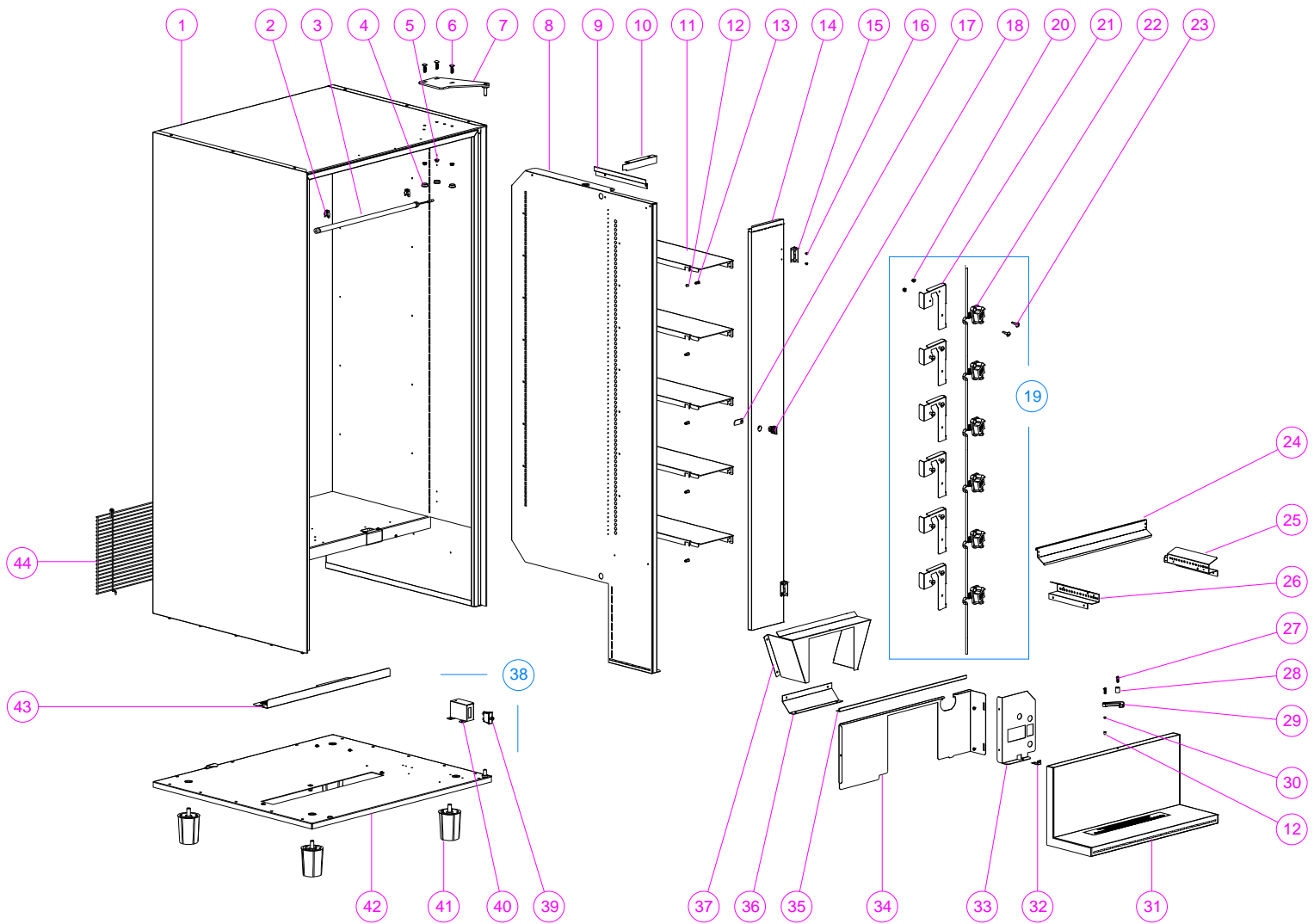


DISPLAY FLUO

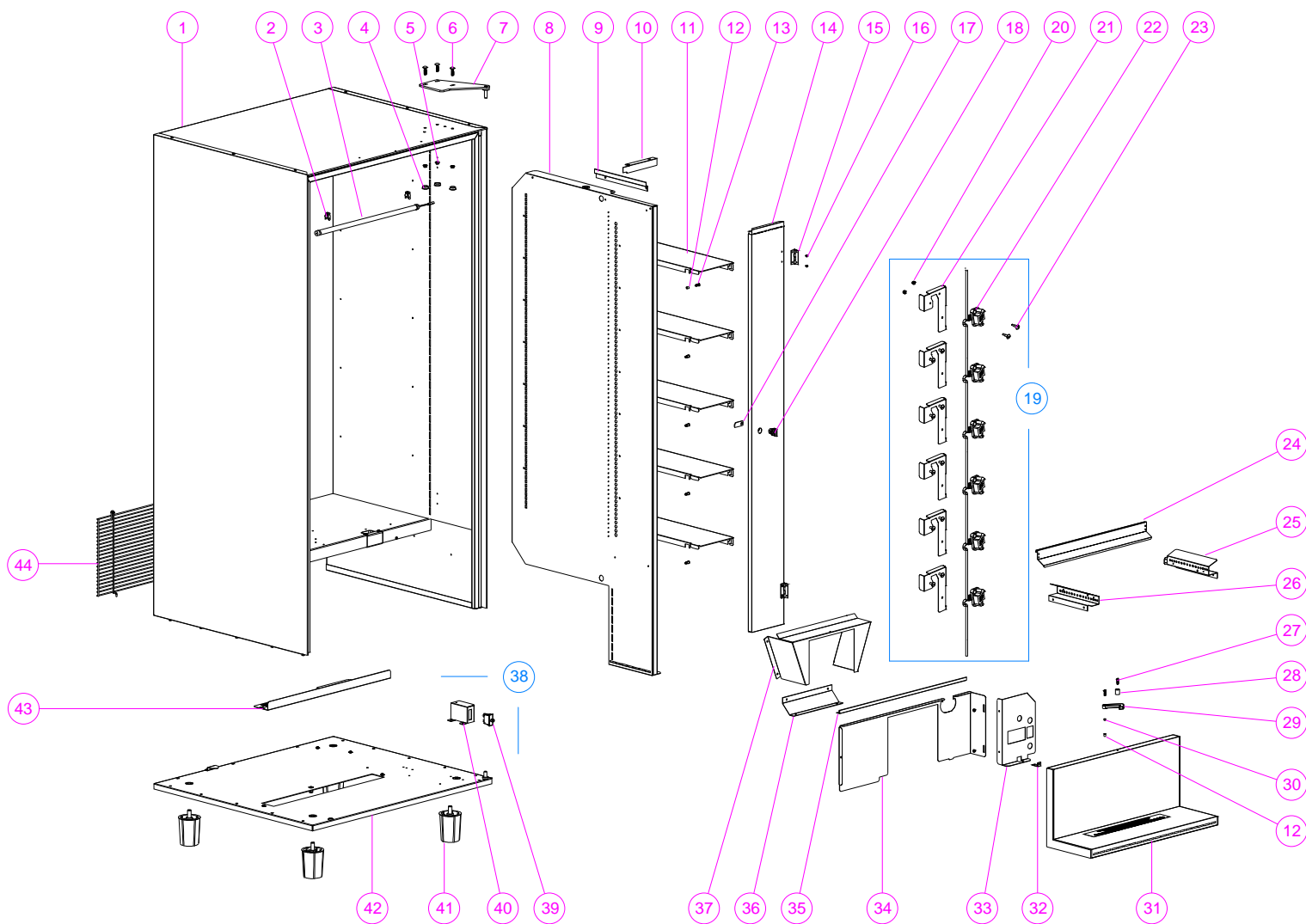
Pos	Code	Description	Serial Number Nota
1	402727/1	BLUE DISPLAY SUPPORT	
2	137265/1	FLUORESCENT DISPLAY ASSY	-
3	395750/1	WIRING DIAGRAM DISPLAY	0000000000 - 2317005782
3	395750/2	WIRING DIAGRAM DISPLAY	2321007840 - ZZZZZZZZZZ
4	397502	DISPLAY SUPPORT	-
5	381240/1	WASHER 3X6X1	
6	381603	SCREW 2,9x13	Not included in the assembly
7	398224	NUT, FLANGED 3MA MILLED	



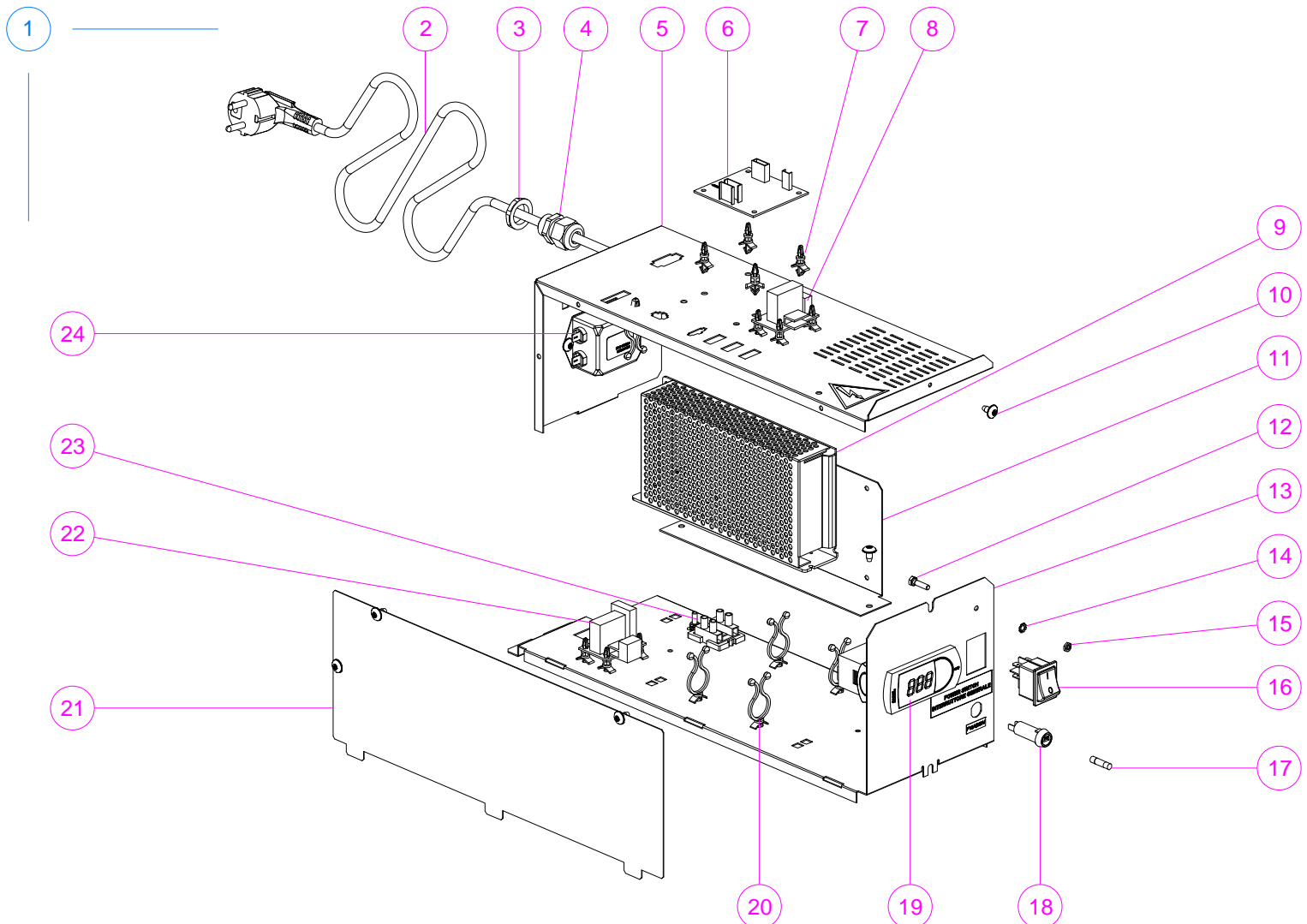
Pos	Code	Description	Serial Number Nota
1	141875	FOAMED CABINET	
2	402698	CLIP Ø16	
3	411830	TUBO LED 506x16mm	
4	402735	PLUG Ø20,6	
5	398224/3	NUT, FLANGED 6MA MILLED	
6	386237/2	SCREW TTQST 6MAX25	
7	143195	TOP HINGE WELD ASSY	
8	143227	FOAMED DIVISOR ASSY	
9	411897	LED HARNESS CHANNEL	
10	411549	UPPER BRACKET STORAGE DOOR	
11	411544	PRODUCTS SHELF	
12	386067/1	SPACER IRON 5x7x12.5	
13	V800570	SCREW T1+4,8X9,5 S.POINT	
14	143137	FLAP DOOR ASS.	
15	395336	HINGE	
16	V801441	SCREW	
17	391404	LOCK LEVER	
18	411807	HANDLE GUIDE	0000000000 - 2217007033
18	390613	BOX GALLETTA 32 MM.	2219008455 - ZZZZZZZZZZ
19	140124/10	REAR RAIL SUPPORT ASSY	
20	390058/1	SELF STOPPING NUT 4MA HIGH	



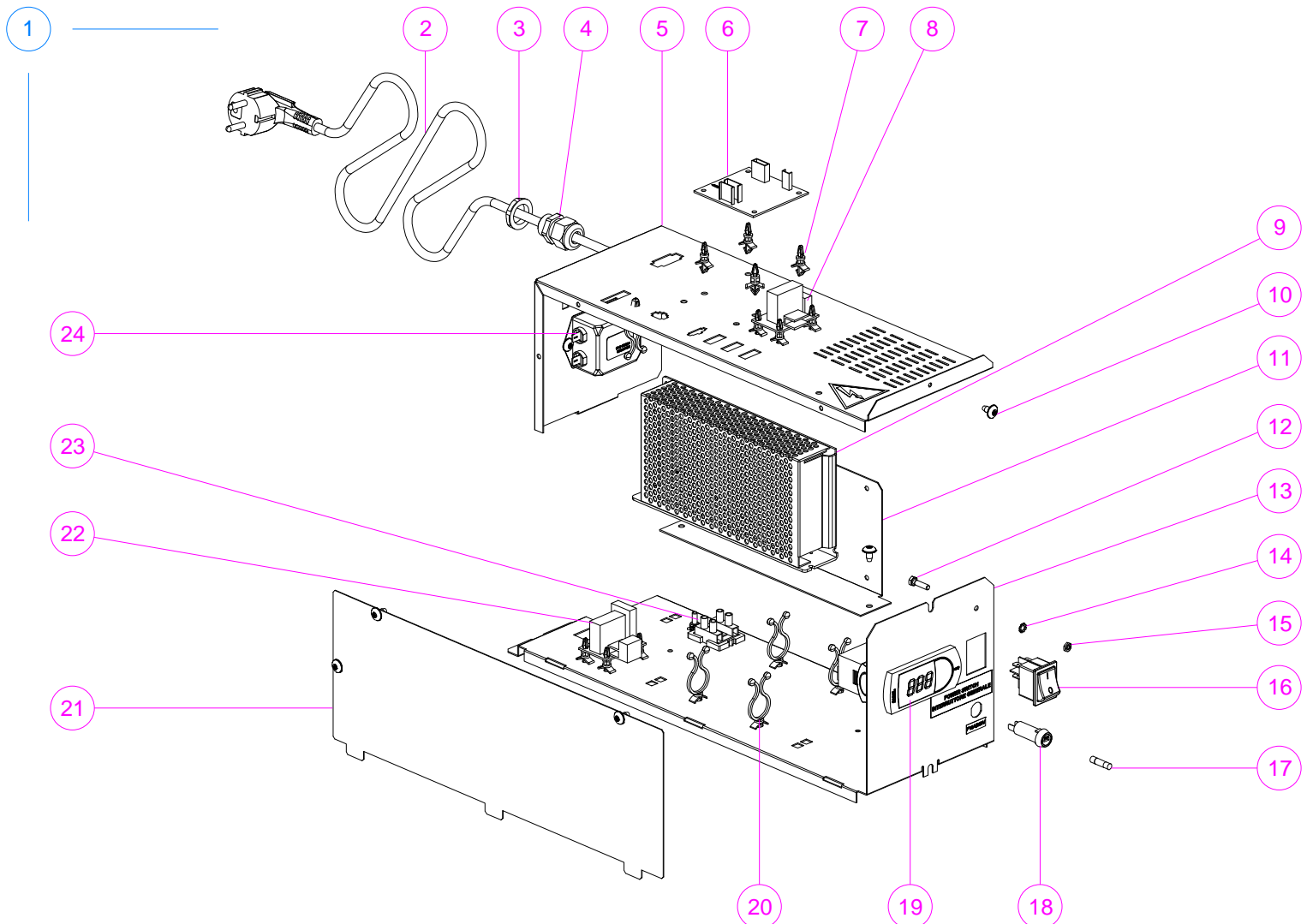
Pos	Code	Description	Serial Number Nota
21	406404/2	CONNECTOR SUPPORT	
22	140670/2	SN64 / DRAWERS HARNESS	
23	400671	SCREW	
24	411590	REAR DELIVERY EYELET CHUTE	
25	411585	RH OPTICS BARRIER SUPPORT	
26	411586	LH OPTICS BARRIER SUPPORT	
27	V800874	SCREW T1+4,8X16 S.POINT	
28	399156	BUSHING	
29	403998	COLUMN STOPPER	
30	386067	SPACER 5X7X3,9	
31	143044	BULKHEAD FOAMED ASSY	
32	396123	BOX TRANSFORMER BRKT	
33	411661	REFRIGERANT SYSTEM RH COVER	0000000000 - 2311000330
33	412131	REFRIGERANT SYSTEM RH COVER	2311000496 - ZZZZZZZZZZ
34	411659	REFRIGERANT SYSTEM LH COVER	
35	411732	DAM	2219008455 - ZZZZZZZZZZ
36	411795	ELEVATOR AIR DEFLECTOR	
37	411792	AIR EVAPORATOR CONVEYOR	
38	143231	MICRO SWITCH DOOR ASSY	
39	407390	F79-66A SWITCH	
40	411747	DOOR SWITCH SUPPORT	



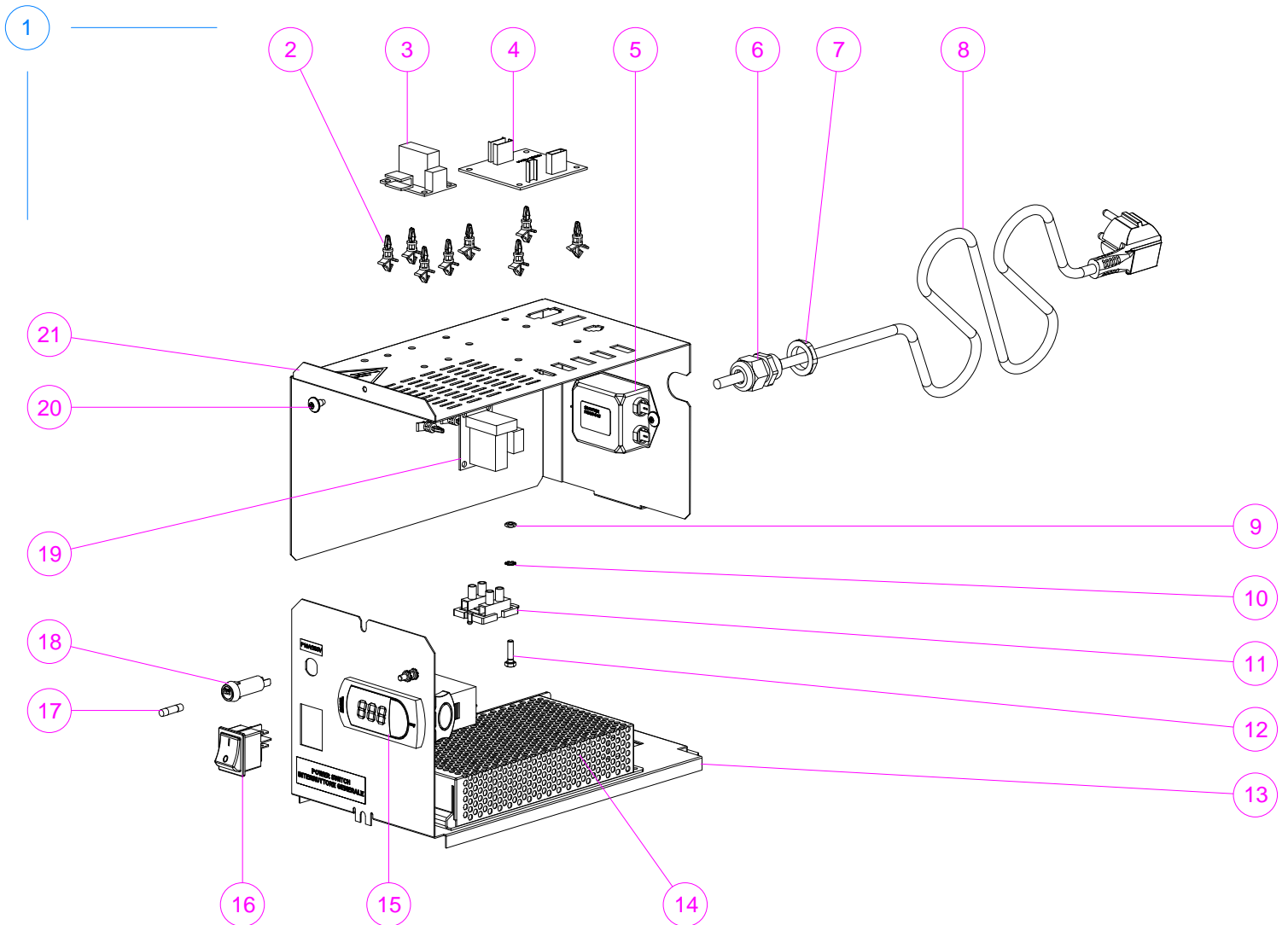
Pos	Code	Description	Serial Number Nota
41	386804	LEVELLING SCREW	
41	403897	LEVELLING SCREW M12 (BIG FOOT)	
42	143140	BS8 CABINET BASE ASSY	
43	143187	GRIDTRIM AIR PLUG WELD ASSY	
44	143314	BACK PROTECTION	



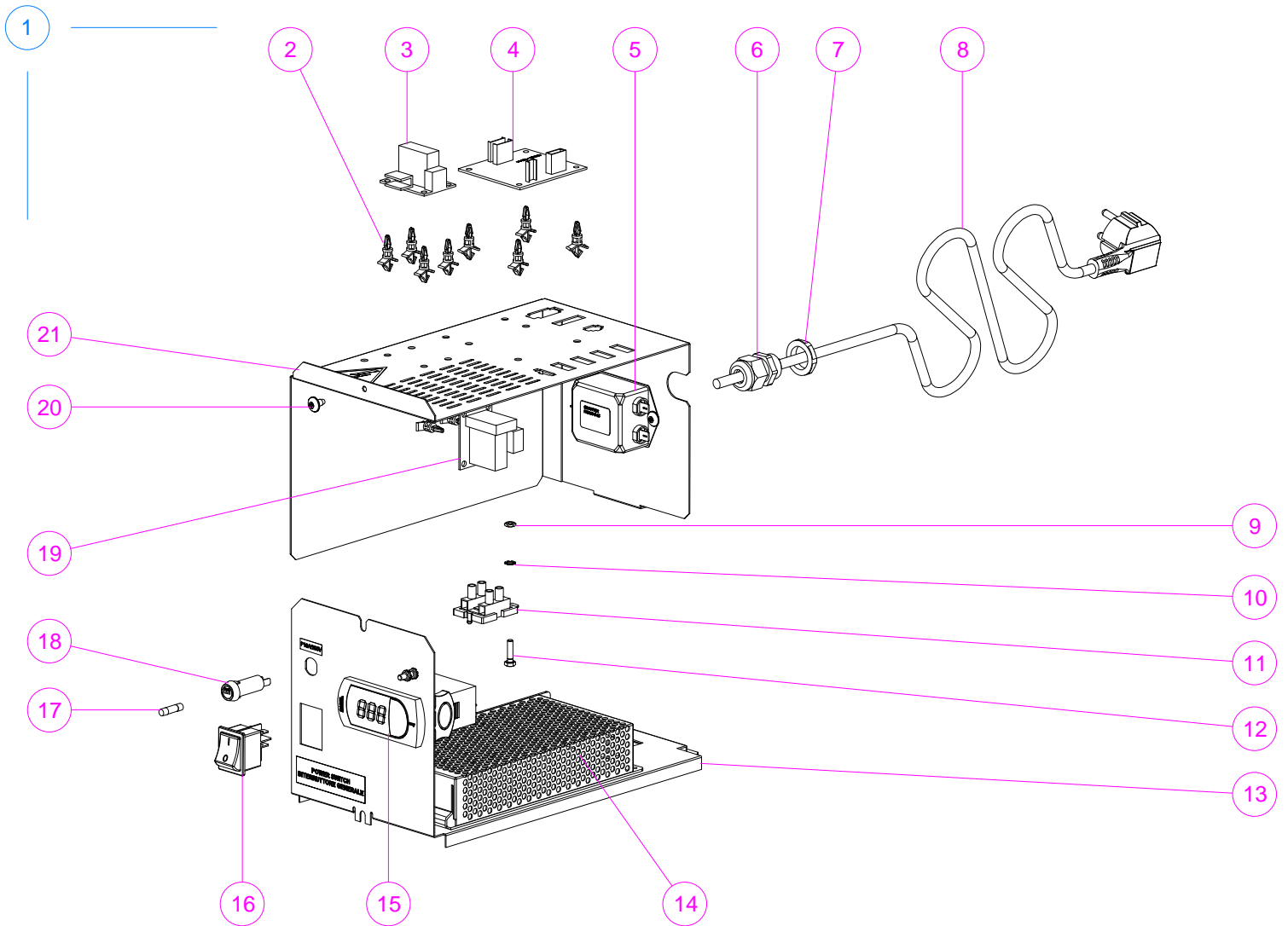
Pos	Code	Description	Serial Number Nota
1	143434	STD TRANSFORMER BOX ASSY	2311000496 - ZZZZZZZZZZ
1	143434/1	SELECTA BOX TRANSFORMER ASSY	2311000496 - ZZZZZZZZZZ
1	143434/2	UK BOX TRANSFORMER ASSY	2311000496 - ZZZZZZZZZZ
2	520044/6	SERVICE CORD "SHUKO PLUG"	Only with p/n 143434
2	130471	SELECTA SERVICE CORD ASSY	Only with p/n 143434/1
2	392711/1	SERVICE CORD "UK"	Only with p/n 143434/2
3	391990/1	RING NUT 3213/B	
4	391990	CABLE LOCK HEYCO 3213	
5	412129	TRANSFORMATOR COVER	
6	402790	SN64 BOARD	
7	386348	SUPPORT	
8	407384	LED RELAY BOARD	
9	408725	POWER SWITCHING RS-150-24	
10	V800570	SCREW T1+4,8X9,5 S.POINT	
11	412127	POWER SWITCHING SUPPORT	
12	381643	BRASS BOLT M4	
13	412128	TRANSFORMER SUPPORT	
14	V801039	WASHER	
15	381644	BRASS NUT M4	
16	392627	LIGHT SWITCH	
17	386916/8	FUSE 5 X 20 10A	



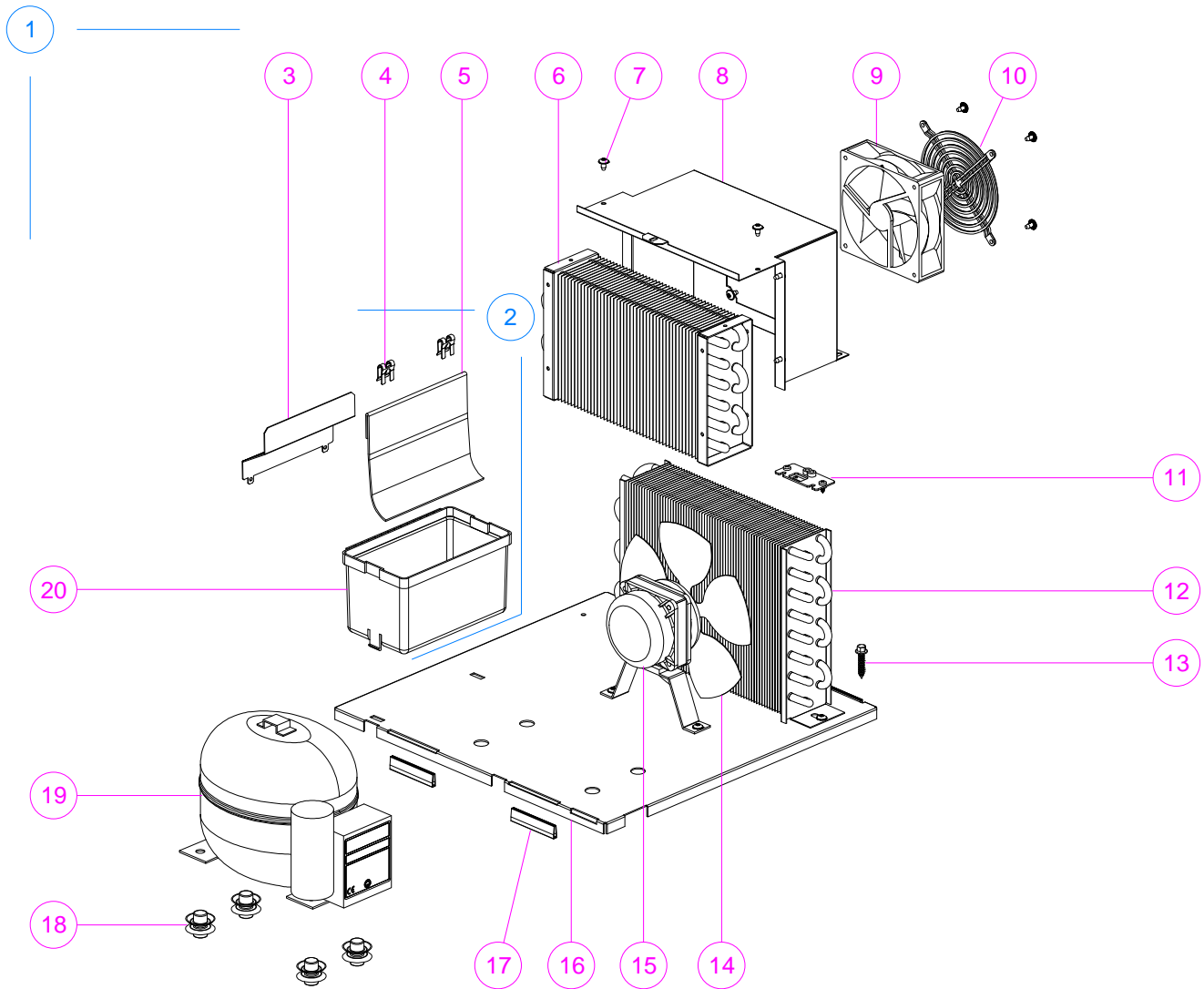
Pos	Code	Description	Serial Number Nota
18	395158	FUSE CARRIER	
19	141478/8	BS8 CONTROL UNIT ASSY	
20	409019	CABLE HOLDER	
21	412136	BOX TRANSFORMER SIDE	
22	408080	220V RELAY CARD	
23	391032	TERMINAL BOARD	
24	408912	FILTER SCHAFFNER FN2060-6-06	



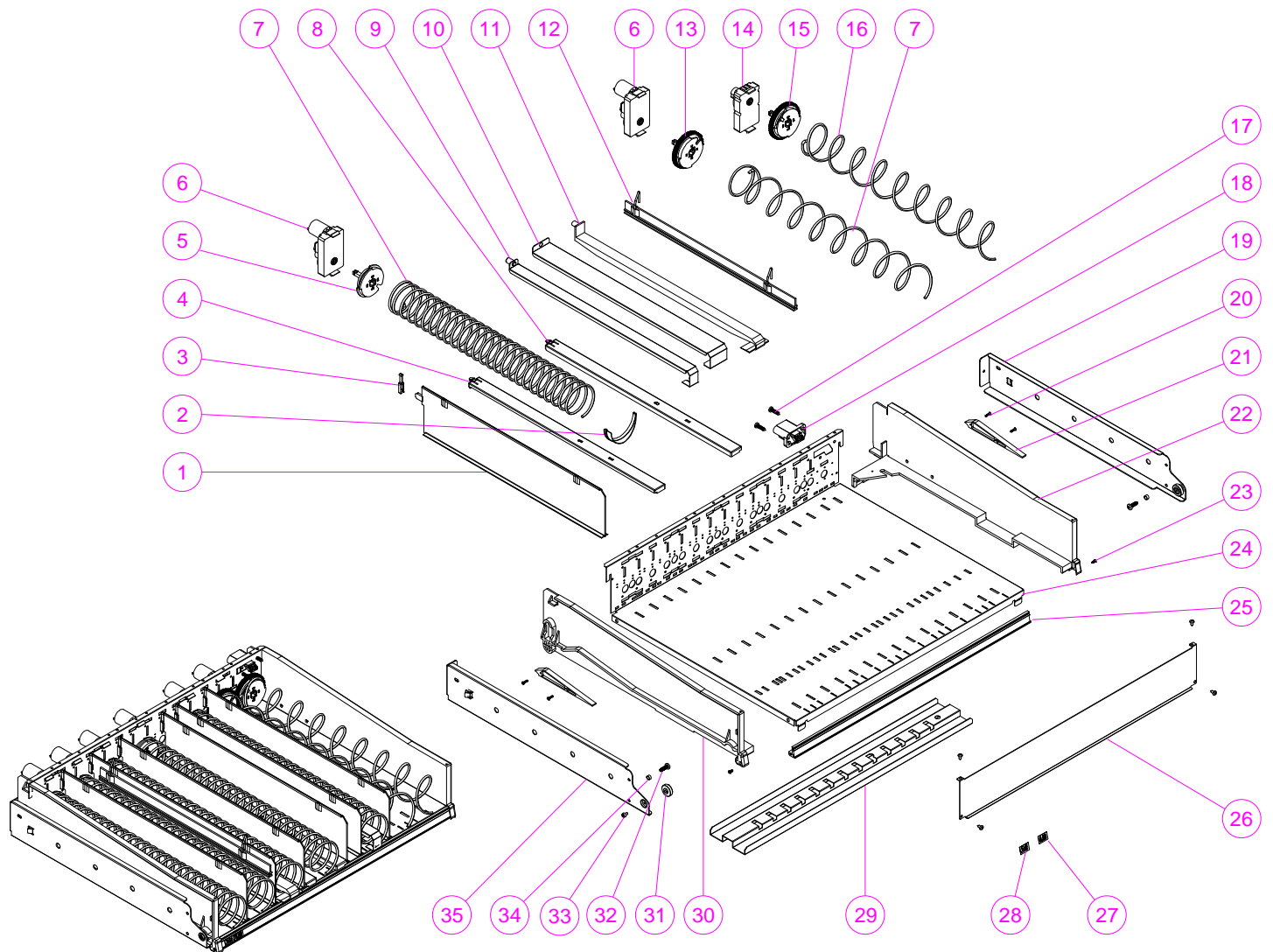
Pos	Code	Description	Serial Number Nota
1	143170	BOX TRANSFORMER ASSY	0000000000 - 2311000330
1	143170/1	SELECTA BOX TRANSFORMER ASSY	0000000000 - 2311000330
1	143170/2	UK BOX TRANSFORMER ASSY	0000000000 - 2311000330
2	386348	SUPPORT	
3	407384	LED RELAY BOARD	
4	402790	SN64 BOARD	
5	408912	FILTER SCHAFFNER FN2060-6-06	
6	391990	CABLE LOCK HEYCO 3213	
7	391990/1	RING NUT 3213/B	
8	520044/6	SERVICE CORD "SHUKO PLUG"	Only with p/n 143170
8	130471	SELECTA SERVICE CORD ASSY	Only with p/n 143170/1
8	392711/1	SERVICE CORD "UK"	Only with p/n 143170/2
9	381644	BRASS NUT M4	
10	V801039	WASHER	
11	391032	TERMINAL BOARD	
12	381643	BRASS BOLT M4	
13	411612	TRANSFORMER SUPPORT	
14	408725	POWER SWITCHING RS-150-24	
15	141478/8	BS8 CONTROL UNIT ASSY	
16	392627	LIGHT SWITCH	
17	386916/8	FUSE 5 X 20 10A	



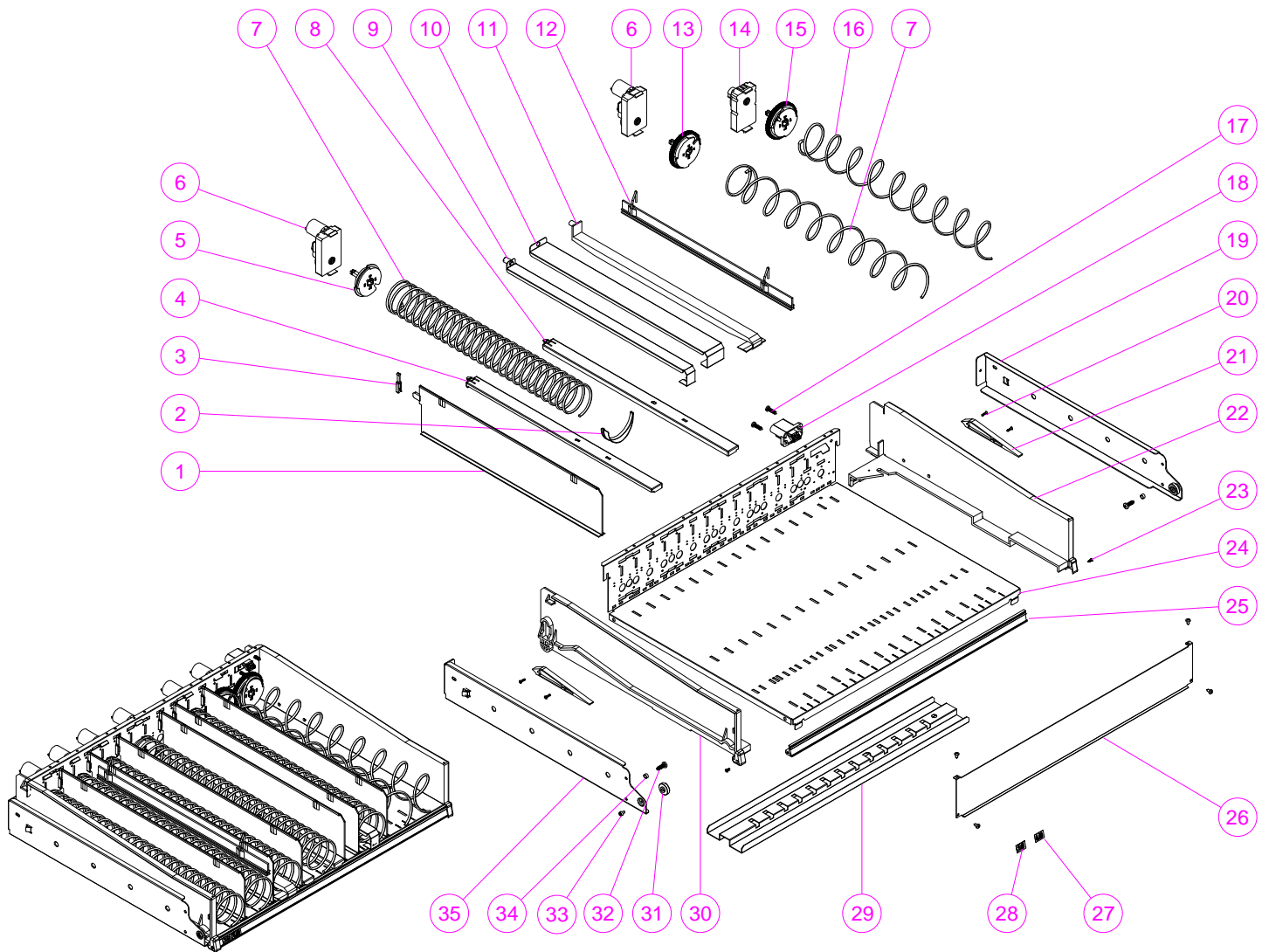
Pos	Code	Description	Serial Number Nota
18	395158	FUSE CARRIER	
19	408080	220V RELAY CARD	
20	V800570	SCREW T1+4,8X9,5 S.POINT	
21	411613	TRANSFORMATOR COVER	



Pos	Code	Description	Serial Number Nota
1	143171	BADGET SNACK REFRIGERATION SYSTEM ASSEMBLY	
2	138766/1	ASSORBENT ASSY	
3	411163	ASSORBENT STRAP	
4	400365	ASSORBENT CLIP	
5	396817	ASSORBENT SPONGE	
6	403394	EVAPORATOR	
7	V800570	SCREW T1+4,8X9,5 S.POINT	
8	411791	EVAPORATOR FAN MOTOR SUPPORT	
9	407972	EVAPORATOR MOTOR FAN WIRED	
10	405734/1	FAN MOTORS GRID	
11	404450	PROBE SUPPORT	
12	409022	CONDENSER 189-217-254	
13	386718	SCREW 6,3x32	
14	371186/2	FAN BLADE	
15	394290/8	FAN MOTOR 82CE-2010/93	
16	411077/2	REFRIGERANT SYSTEM BASE	
17	386430/24	U WHITE PROFILE MM.65	
18	393885	SHOCK ABSORBER COMPRESSOR	
19	406312	COMPRESSOR EMT 6170Z	
20	411109	CONDENSER BOX	



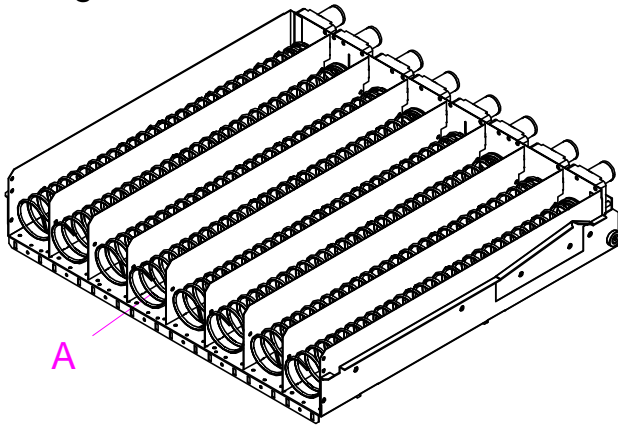
Pos	Code	Description	Serial Number Nota
1	405507	DRAWER DIVISOR	
2	400414	PRODUCT PUSHER	
3	405453	KEY STOPPER FOR DIVIDER	
4	404594/2	LH NARROW SPACER	
5	140174/2	RED - WHITE LH SPIRAL HOOKING	
6	404451	MOTOR	
7	404556...	SPIRAL FOR SNACK LEFT	
8	404594/3	RH NARROW SPACER	
9	143478	KIT CHEWING GUM SPACER	
10	411135	SPACER	
11	407674/1	PLASTIC CANS SUPPORT	
12	140535/1	SQUEEZER KIT	
13	140174/3	RED - WHITE LH SPIRAL HOOKING GEAR	
14	405565	MOTOR GEAR	
15	140174/1	BLACK - WHITE RH SPIRAL HOOKING GEAR	
16	405801...	SPIRAL FOR SNACK RIGHT	
17	392337	SCREW 4,8x22	
18	139254	DRAWER HARNESS	
19	140496/1	RH DRAWER GUIDE ASSY	
20	381603/13	SCREW 2,9X13 (only used on lowest drawer)	
21	404877	GUIDE INSERT (only used on lowest drawer)	



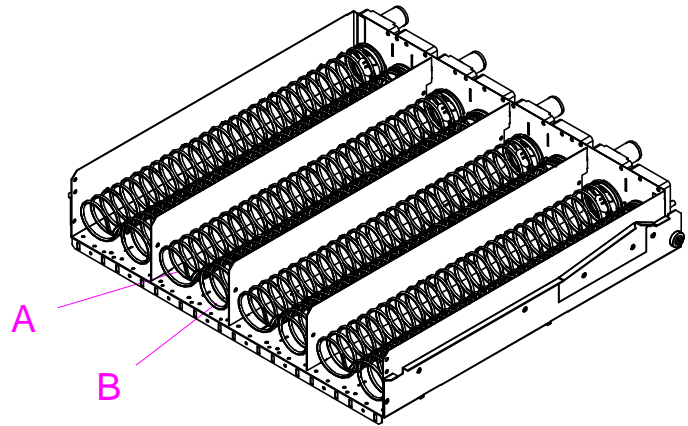
Pos	Code	Description	Serial Number Nota
22	404429	RH SNACK DRAWER GUIDE	
23	381603/5	SCREW TSP+2,9X9,5	
24	405504	SNACK DRAWER	
25	404446	HOLDER LABELS PROFILE	
26	143479	KIT FRONT COVER 8 SELECTION TRAY	
27	406013	LABEL PRICES (0.25 - 1.40)	
27	406013/8	"SCHEEL" LABEL PRICES	
28	406014	LABELS SELECTIONS	
29	406414	DRAWER CENTRAL REINFORCE	
30	404429/1	LH SNACK DRAWER GUIDE	
31	401526	SCH -29-1821 BALL BEARING	
32	V800874	SCREW T1+4,8X16 S.POINT	Only on the first tray in the bottom
33	398128	SCREW TCEI 4MAx6	
34	386067	SPACER 5X7X3,9	Only on the first tray in the bottom
35	140496	LH DRAWER GUIDE ASSY	

Set-Up Spiral

Single Column

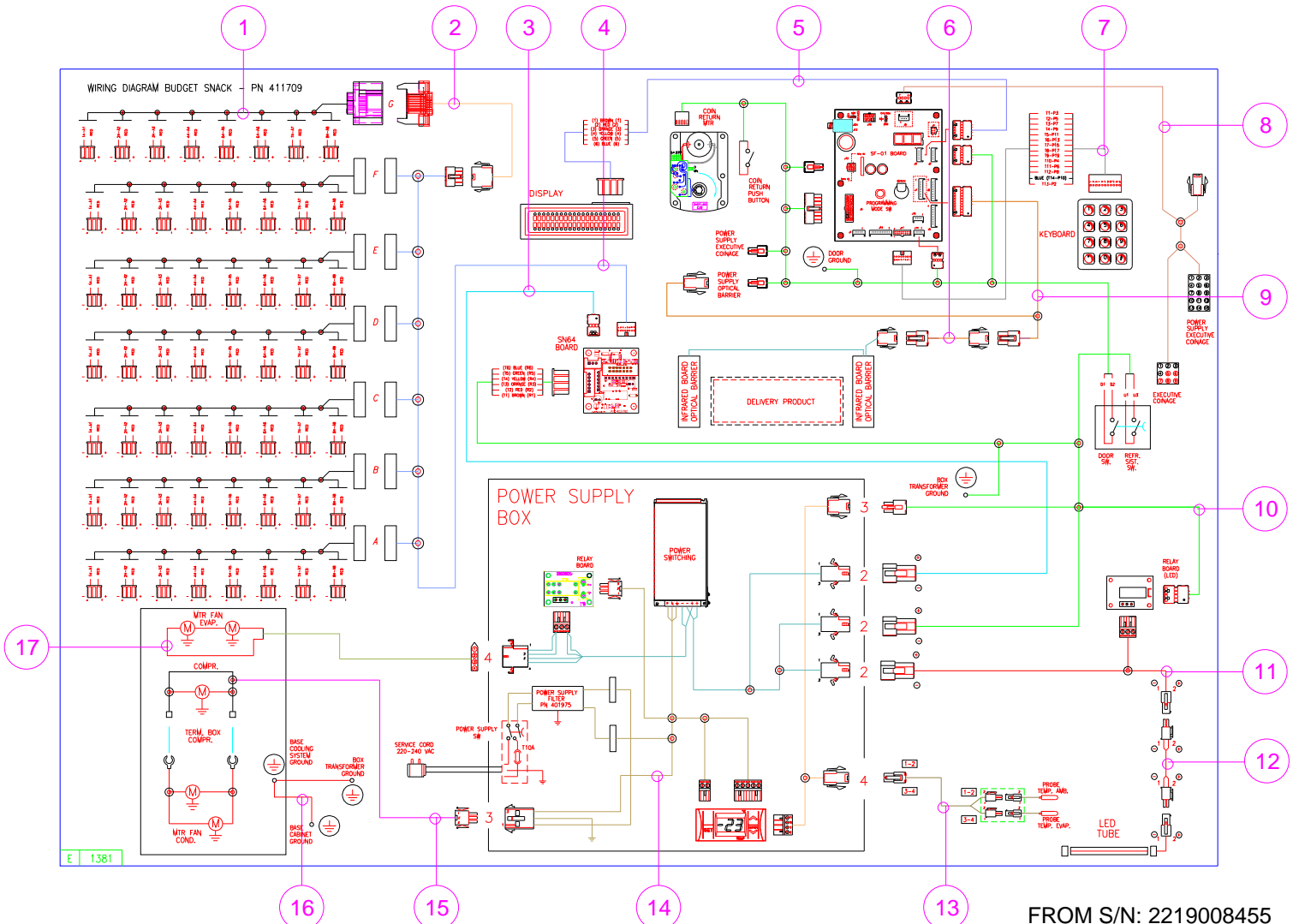


Double Column



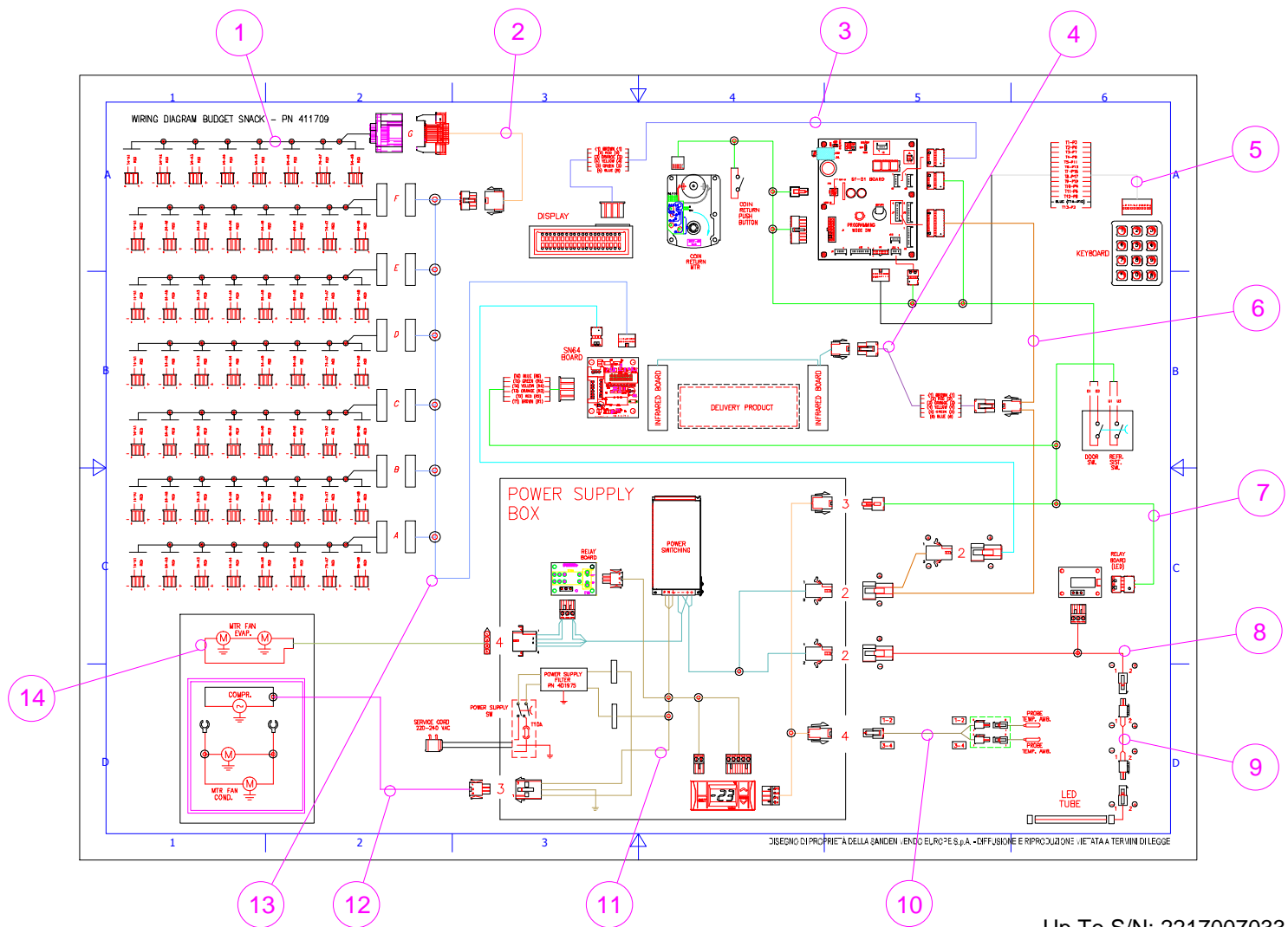
SPIRALE PER SNACK SX SPIRAL FOR SNACK LEFT				
POS.	PARTICOLARE N° PARTICULAR NUMBER BESTIMMTE ZAHL NOMBRE PARTICULIER NÚMERO PARTICULAR	DIAMETRO DIAMETER DURCHMESSER DIAMÈTRE DIÁMETRO	PASSO STEP SCHRITT ÉTAPE PASO	N°PRODOTTI NUMBER PRODUCTS ZAHLPRODUKTE NOMBRE PRODUITS NÚMERO PRODUCTOS
A	404556	64.5	18.5	24
A	404556/1	64.5	25	17
A	404556/2	64.5	30	14
A	404556/3	64.5	35	12
A	404556/4	64.5	45	10
A	404556/5	64.5	55	8
A	404556/6	64.5	65	7
A	404556/8	64.5	85	5
A	404556/9	64.5	40	11
A	404556/10	64.5	77	6
A	404556/11	64.5	95	4
A	404556/12	64.5	105	4

SPIRALE PER SNACK DX SPIRAL FOR SNACK RIGHT				
POS.	PARTICOLARE N° PARTICULAR NUMBER BESTIMMTE ZAHL NOMBRE PARTICULIER NÚMERO PARTICULAR	DIAMETRO DIAMETER DURCHMESSER DIAMÈTRE DIÁMETRO	PASSO STEP SCHRITT ÉTAPE PASO	N°PRODOTTI NUMBER PRODUCTS ZAHLPRODUKTE NOMBRE PRODUITS NÚMERO PRODUCTOS
B	405801	64.5	18.5	24
B	405801/1	64.5	25	17
B	405801/2	64.5	30	14
B	405801/3	64.5	35	12
B	405801/4	64.5	45	10
B	405801/5	64.5	55	8
B	405801/6	64.5	65	7
B	405801/8	64.5	85	5
B	405801/9	64.5	40	11
B	405801/10	64.5	77	6
B	405801/11	64.5	95	4
B	405801/12	64.5	105	4



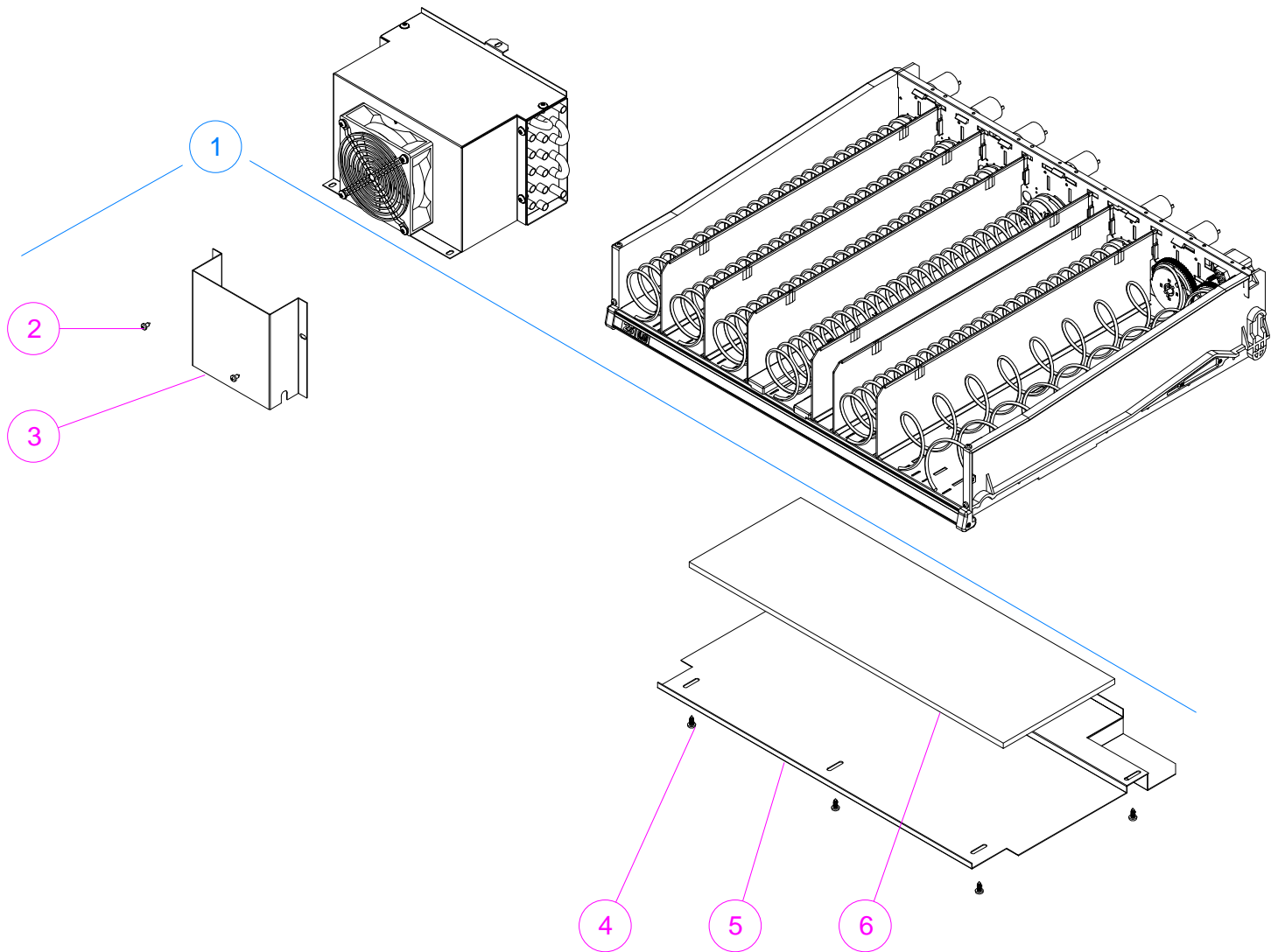
FROM S/N: 2219008455

Pos	Code	Description	Serial Number Nota
1	139254	DRAWER HARNESS	
2	141425	7° DRAWER HARNESS	
3	143230	SN64 ALIMENTATION HARNESS	
4	140670/2	SN64 / DRAWERS HARNESS	
5	135449/7	DISPLAY HARNESS	
6	143436	B.O. EXTENSION HARNESS	2221009511 - ZZZZZZZZZZ
7	139174/1	HARNESS SF01-KEY PAD SCI + STD	2219008455 - ZZZZZZZZZZ
8	141427	HARNESS SUPPLY/EXECUTIVE COINAGE	
9	143251	DOOR / ALIMENTATION BOX /B.O. HARNESS	0000000000 - 2217007033
9	143435	DOOR / ALIMENTATION BOX /B.O. HARNESS	2221009511 - ZZZZZZZZZZ
10	143226	DOOR / CABINET SF01 HARNESS	
11	143217	LED BAR ALIMENTATION HARNESS	
12	143256	LED BAR ALIMENTATION HARNESS	
13	143204	PROBES HARNESS	
14	143433	SUPPLY BOX HARNESS	2219008455 - ZZZZZZZZZZ
15	143203	COMPRESSOR HARNESS	
16	143325	GROUND WIRE (DOUBLE)	
17	143205	EVAPORATOR FAN MOTOR HARNESS	

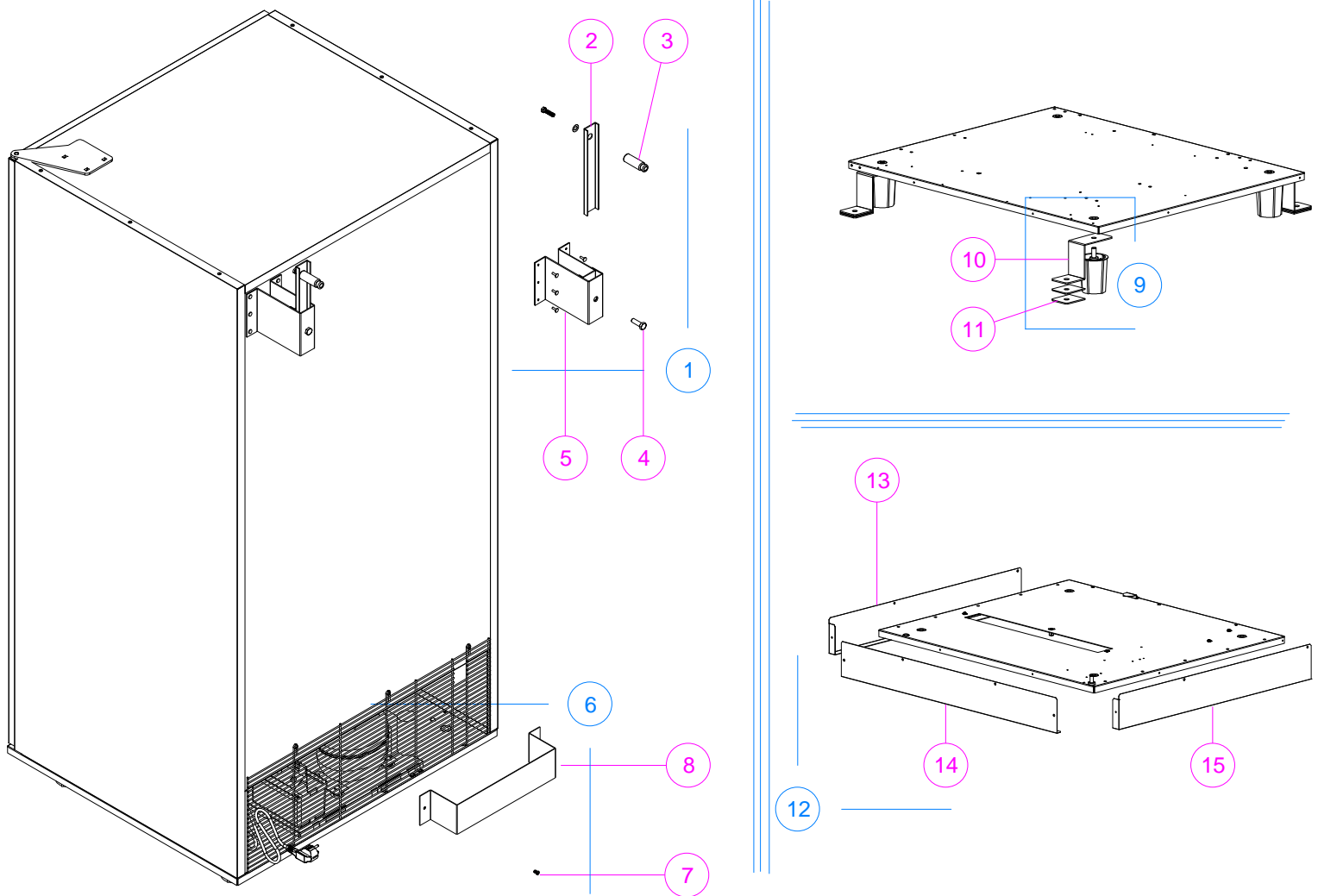


Up To S/N: 2217007033

Pos	Code	Description	Serial Number Nota
1	139254	DRAWER HARNESS	
2	141425	7° DRAWER HARNESS	
3	135449/7	DISPLAY HARNESS	
4	140526/1	MASTER OPTICS BARRIER COMMUNICATION HARNESS	000000000 - 2217007033
5	139174	HARNESS SF01-KEY PAD SCI + STD NEW	000000000 - 2217007033
6	143251	DOOR / ALIMENTATION BOX /B.O. HARNESS	000000000 - 2217007033
7	143226	DOOR / CABINET SF01 HARNESS	
8	143217	LED BAR ALIMENTATION HARNESS	
9	143256	LED BAR ALIMENTATION HARNESS	
10	143204	PROBES HARNESS	
11	143216	ALIMENTATION BOX HARNESS	000000000 - 2217007033
12	143203	COMPRESSOR HARNESS	
13	140670/2	SN64 / DRAWERS HARNESS	
14	143205	EVAPORATOR FAN MOTOR HARNESS	



Pos	Code	Description	Serial Number Nota
1	143385	2 TEMPERATURE DIVIDER KIT	
2	412120	FAN MOTOR COVER	
3	V800611	SCREW 4,2x9,5	
4	390139/2	SCREW 4.2x13	
5	143439	DIVIDER WELD ASSY	
6	403857/4	SPONGE RUBBER 535x190x8	



Pos	Code	Description	Serial Number Nota
1	135078/1	KIT FIXING ON THE WALL	
2	386460	BRKT FOR OUT DOOR	
3	391598	INSERT	
4	333097/2	POP RIVET	
5	130461/1	BRKT REAR WELD ASSY	
6	141141	REAR SPACER KIT	
7	V800570	SCREW T1+4,8X9,5 S.POINT	
8	407936	REAR SPACER	
9	139218/1	KIT FASTEN TO FLOOR	
10	408028	FASTEN TO FLOOR BRKT	
11	407994	THICKNESS	
12	144233	FRONT COVER KIT	
13	408084	SIDE COVER LH	
14	413315	FEET FRONT COVER BS8	
15	408084/1	SIDE COVER RH	

REV. REV. REV. REV.	DATA REV. REV. DATE DATE REV. DATUM REV.	ECRN ECRN ECRN ECRN	DISEGNI REVISIONATI REVISION DESSIN REVISÈ ÄNDERUNG	PAGINA PAGE PAGE SEITE
000	19/07/2012		Created a Spare Parts Manual of BS8	
001	03/10/2012	1333	Added p/n 411732, p/n 390613	7-8
		1333	Added p/n 411952	3
			Added p/n 143208, p/n 411815, p/n 143219	6
			Added p/n 143320, 411923, 1237853004, 411922	3
002	11/12/2012	1337	Update electrical diagram	14-15
		1338	Added p/n 412026, 412027 on door	2
			Update coin box	3
003	01/03/2013		Update Set-Up Spiral	13
			Added p/n 404877 and p/n 381603/13 on tray	14
			Added p/n 143478, 412149, 404688, 143479, 412155, V800611	14
			Update electrical diagram	17
004	15/05/2013		Update Coin Insert	4-5-6
			Change number 12 (p/n 411676) of "Door:control pannel" with assembly p/n 143194	3
			Added p/n 406013, 406014	14
005	17/05/2013		Update Lock with new p/n 412383,412383/1,412383/2,412383/3,412383/4	7
			Update Coin box door of "Door: Control Pannel"	3
006	24/09/2013		Change number 9 (p/n 140378/2) on page of "door" with p/n 411750	2
007	22/05/2014		Change glass p/n	2
			Add p/n 398015, 398689, 411305 on Coin Insert	4 - 5
			Update Door pages	2 - 4
			Update Door Lock page	6
			Update Delivery eyelet page	7
			Update cabinet page	12
			Added new transformer box	14
			Update refrigerant unit page	18
			Update tray page	19
008	17/03/2015		Update electrical diagram page	22
			Added 2 temperature divider kit	24
			Update Various kit page	25
009	17/03/2015	1415	Substitute p/n 411633 with 413594 and p/n 411952 with 413595 on door page	2
			Added new page of STD and SCI coin insert	8 - 12 - 14
			Added Fronta Protection Kit on the kit page	33
010				