



CB 1565

LIST OF THE EXPLODED VIEWS



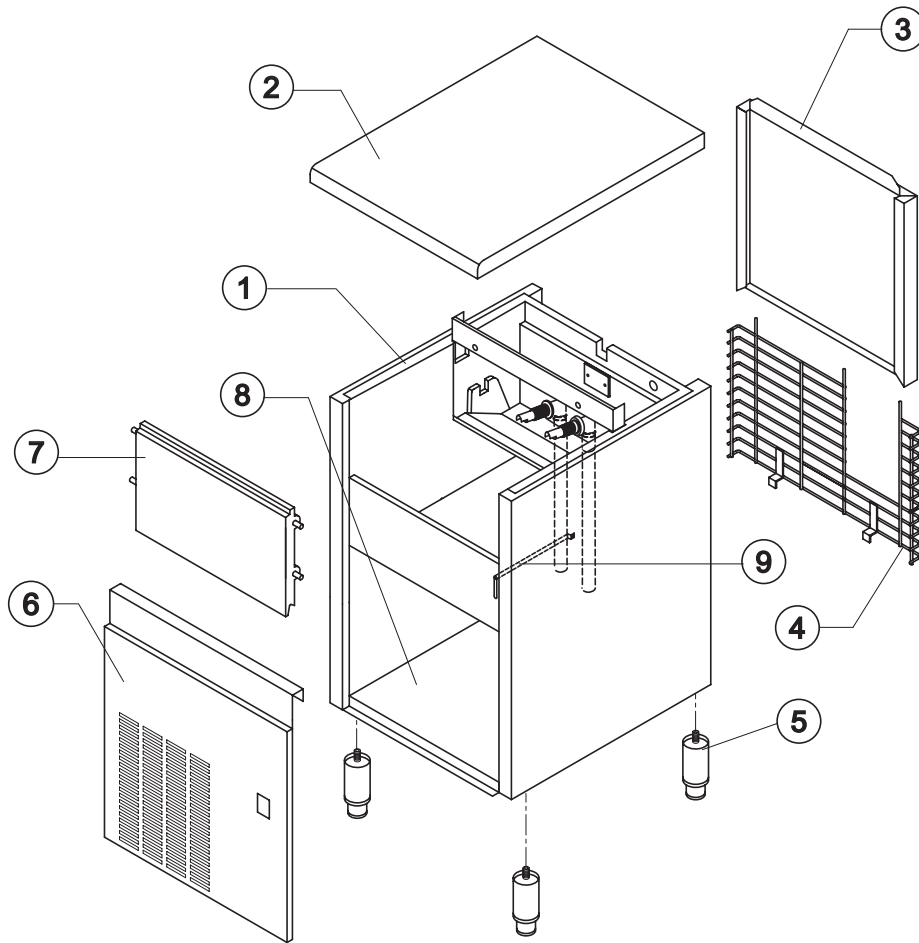
SHELL ASSY

COOLING SYSTEM

HYDRAULIC CIRCUIT

ELECTRIC PARTS

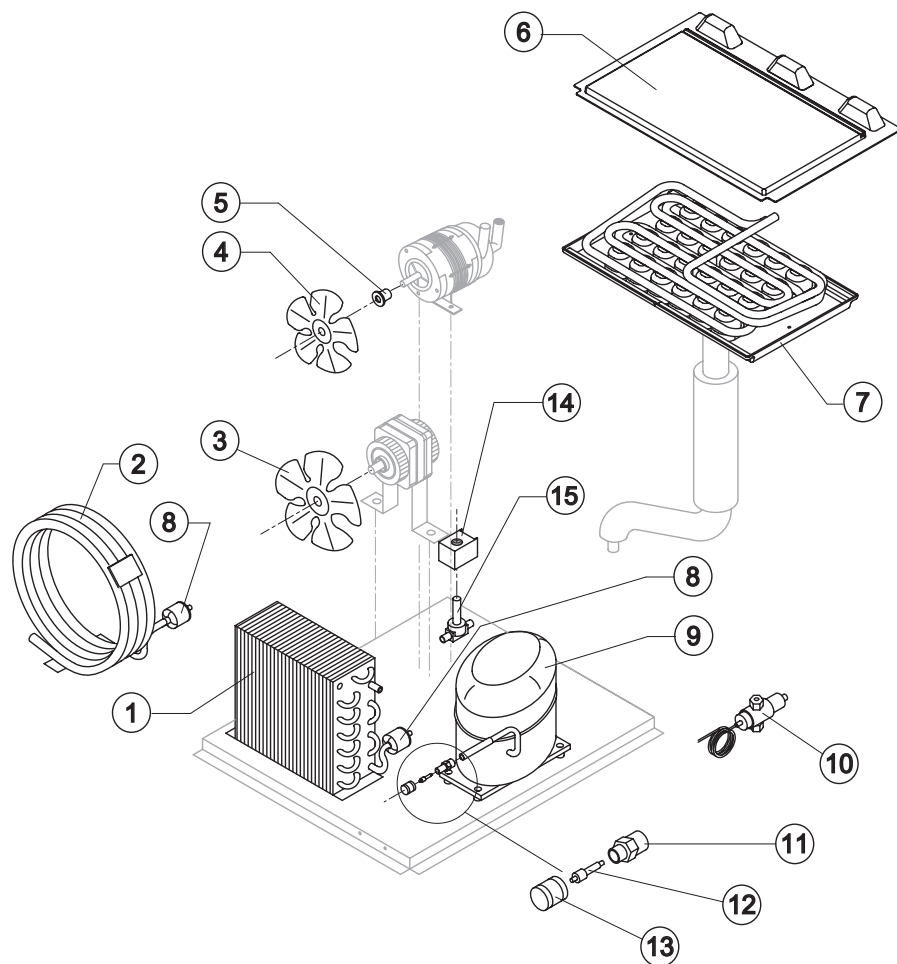
Rev. 12 - 16/01/2015



Ref.	Spare Description	Code
1	Foamed Cabinet Assy	See Table
2	Top Assembly	C22688
3	Rear Panel Assembly	C21209
4	Rear Grid	D12021
5	Adjustable Stainless Steel Foot	20613
6	Front Grid Panel	22548
7	Door Assy	C10275
8	Base Plate	21281
9	Bulbe-holder Pipe	20521

Ref. 1 - Foamed Cabinet Assy

Condensation	Code
Air	C11086A
Water	C11086W



Ref. 7 - Evaporator

Kind of Cube	Code
18 g. (Standard)	D10214
33 g.	D10092
13 g.	D10126
42 g.	D10477
60 g.	D10555

Common Parts

Ref.	Spare Description	Code
4	Sucking Fan	10213
5	Fan Fixing Hub	10014
6	Evaporator Cover Panel	from s/n. 224688 10450
7	Evaporator	See Table -
8*	Solid Core Drier	14084
9	Compressor	See Table -
11	Vacuum-Charge Valve Body	14007
12*	Vacuum-Charge Valve Device	14005
13*	Vacuum-Charge Valve Plug	14006
14*	Hot Gas Valve Coil	See Table -
15*	Hot Gas Valve Body	20409

Parts for Air-Cooled Version Only

Ref.	Spare Description	Code
1	Air Condenser	20924
1	Air Condenser	Till s/n. 438911 20426
3	Sucking Fan	20407
3	Sucking Fan	Solo T13 e T19 20671

Parts for Water-Cooled Version Only

Ref.	Spare Description	Code
2	Water Condenser	14081
3	Sucking Fan	Till s/n. 219844 10213
10	Pressostatic Valve	20210

Ref. 9 - Compressor

Voltage	Code
T11	23878
T12	23874
T13	23586
T19	23586 fino a Matr. 605530

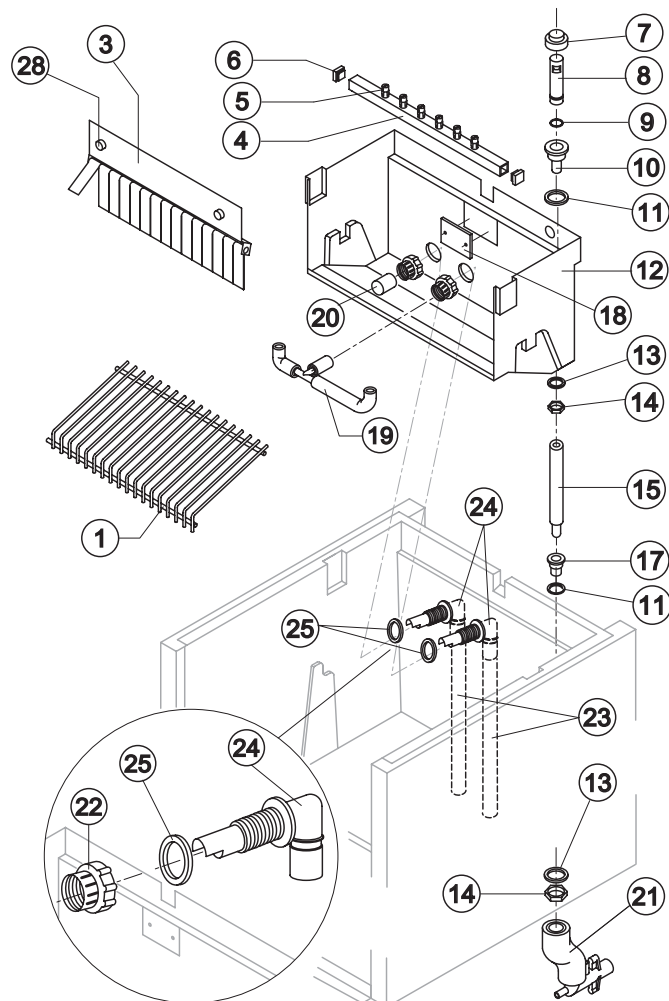
Ref. 14* - Hot Gas Valve Coil

Voltage	Code
T11	23091
T12	23091
T13	23256
T19	23256 fino a Matr. 605530



CB 1565

HYDRAULIC CIRCUIT



Ref. 1 - Ice Cube Slide

Kind of Cube	Code
18 g. (Standard)	D12022
33 g.	D12033
13 g.	D12040
42 g.	D12033
60 g.	D12084

Ref. 4* - Sprayers Bar Ass.

Kind of Cube	Code
18 g. (Standard)	C20144
33 g.	C20157
13 g.	C20200
42 g.	C20157
60 g.	C20941

Common Parts

Ref.	Spare Description	Code
1	Ice Cube Slides	See Table
3	Flags Support Assy	C22134
4*	Sprayers Bar Assembly	See Table
5	Sprayer	D20002
6	Sprayers Bar Plug	10012
7*	Overflow Cap	10305
8*	Overflow Pipe	10133
9*	OR Gasket for Overflow Pipe	20233
10	Overflow Pipe Nipple	10471
11	Silicone Gasket	13006
12	Inner Basin	10759
13	Semirigid Polyethylene Gasket	13007
14	Bin Discharge Nut	10096
15*	Overflow Pipe Assembly	13155
17	Water Outlet Nipple	10472
18	Slide Keep Plate	Till s/n. 233769
19	Sprayers Bar Pipe Connection Assy	C13036
20*	Pump Suction Filter	20005
22	Fitting Locking Ring	10405
23	Pump Suction/Delivery Pipe	13142
24	Fitting of Pump Suction/Delivery Pipes	10404
25	Gasket for Pump Suction/Delivery Pipes	13143
28	Fixing Screw	20009

Parts for Air Cooled Version Only

Ref.	Spare Description	Code
21	Discharges Manifold	C10006

Parts for Water Cooled Version Only

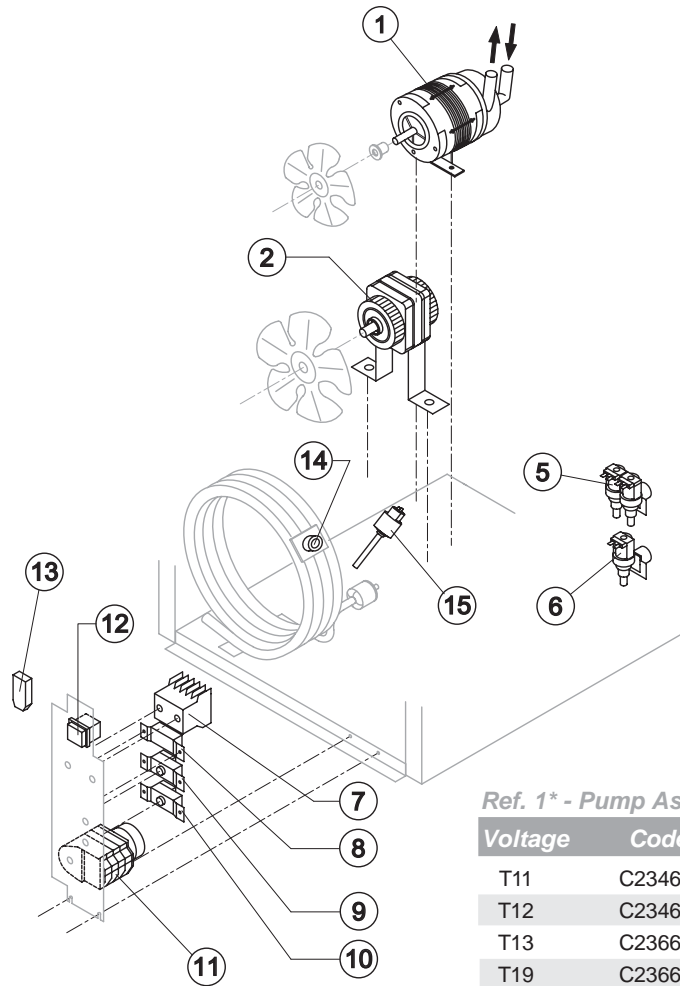
Ref.	Spare Description	Code
21	Discharges Manifold	C26452



CB 1565

ELECTRIC PARTS

Rev. 12 - 16/01/2015



Common Parts

Ref.	Spare Description	Code
1*	Pump Assy	See Table -
7*	Contactor	See Table -
9*	Bin Thermostat	R23005
10*	Evaporator Thermostat	R23591
11*	Timer	See Table -
12*	Green Light Switch (On-Off)	23327
15	Safety Pressure Switch (H.P.) 220/50Hz-220/60Hz	From s/n. 527061 23976

Parts for Air-Cooled Version Only

Ref.	Spare Description	Code
2*	Fan Motor	See Table -
6*	1 Way- Water Inlet Valve	See Table -
8*	Condenser Pressure Switch	See Table -
13	Anti Radio Interference Filter	Only T11 C23459

Parts for Water-Cooled Version Only

Ref.	Spare Description	Code
2	Fan Motor	Till s/n. 219844 See Table
5*	2 Ways- Water Inlet Valve	See Table -
14*	Safety Pressure Switch	Till s/n. 527060 C23114

Ref. 1* - Pump Assy

Voltage	Code
T11	C23462
T12	C23462
T13	C23663
T19	C23663 Till s/n. 605530

Ref. 2* - Fan motor

Voltage	Water	
	Air	Till s/n. 219844
T11	23121	23029
T12	23121	23029
T13	23621	23683
T19	23621 Till s/n. 605530	-

Ref. 7* - Contactor

Voltage	Code
T11	23594
T12	23594
T13	231088
T19	231088 Till s/n. 605530

Ref. 5* - 2 Ways- Water inlet valve

Voltage	18g/13g Cube	33g/42g/60g Cube
T11	23138	23138
T12	23138	23138
T13	23755	23790
T19	23755	23790
Till s/n. 605530		

Ref. 6* - 1 Way- Water Inlet valve

Voltage	18g/13g Cube	33g Cube	42g/60g Cube
T11	23220	23220	23787
T12	23220	23787	23787
T13	23281	23789	23789
T19	23281	23789	23789
Till s/n. 605530			

Ref. 8* - Cond. Pressure

Voltage	Code
T11	23175
T12	23175
T13	23175
T19	23680
Till s/n. 605530	

Ref. 11* - Timer

Voltage	18g Cube	33g Cube	13g Cube	42g Cube	60g Cube
T11	23247	23248	23472	23780	23922
T12	231082	231080	231077	231080	TBD
T13	23833	23786	23258	23786	TBD
T19	23833	23786	23258	23786	TBD
Till s/n. 605530					