

TABLE A

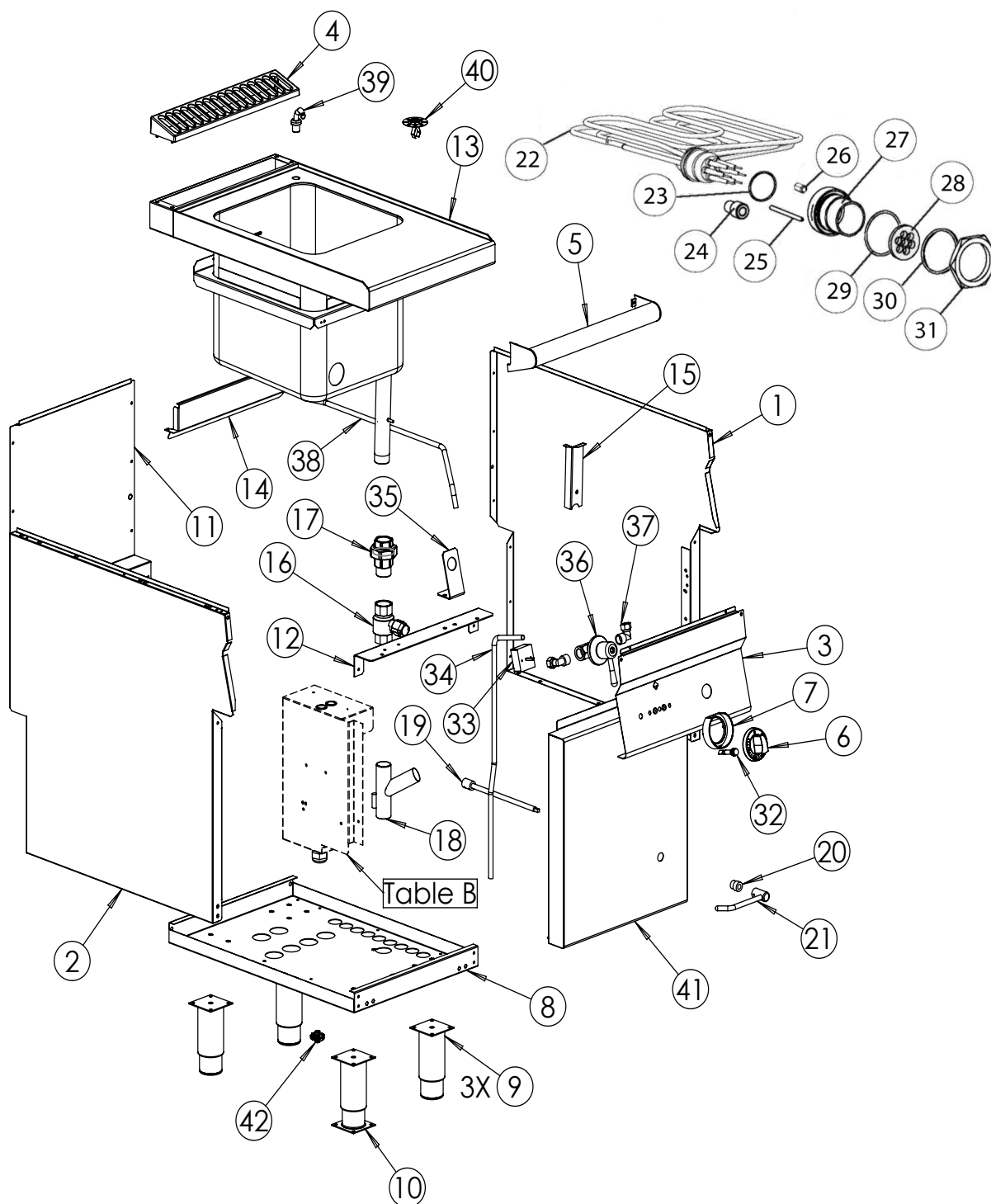
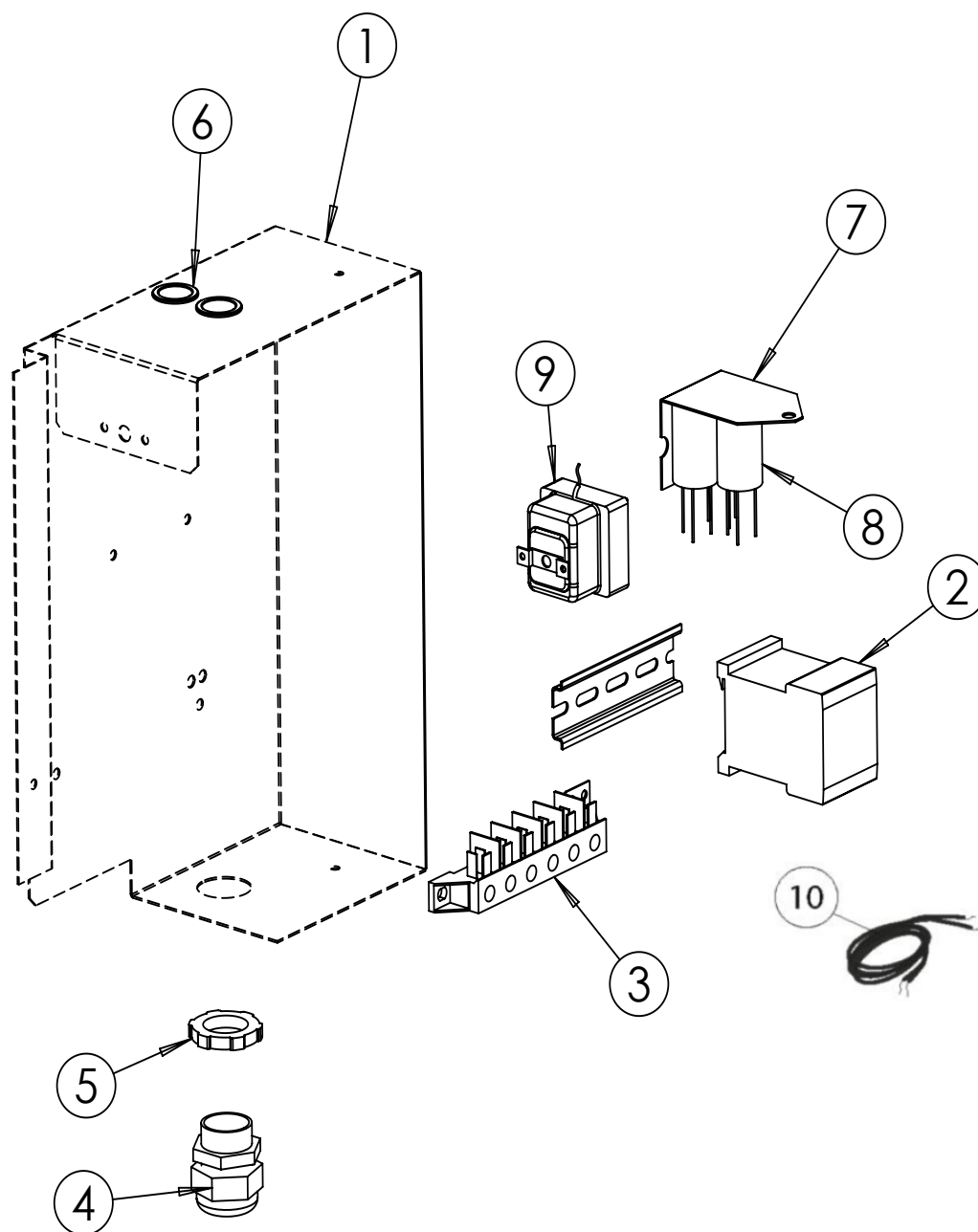


TABLE B





METRO PASTA-COOKER ELE M40

TABLE A

POS.	CODE/CODES	PIECES	DESCRIPTION	DESCRIZIONE	DATA	R.C.
1	CR1364650	1	RIGHT SIDE PANEL	FIANCO DX MONOBLOCCO ECO 70		
2	CR1364660	1	LEFT SIDE PANEL	FIANCO SX MONOBLOCCO ECO 70		
3	BN4004140	1	ELECTRIC PASTA COOKER DASHBOARD	CRUSC. CUOCIP.ELE MONOBL.M40 METRO ECO70		
4	CR0901240	1	CHIMNEY GRID	GRIGLIA SC/FUMI GHISA M40 BARON		
5	BN29962730	1	HANDRAIL	CMF0704 CORRIMANO M40 70 METRO22		
6	BN4004150R	1	ELECTRIC KNOB	MANOPOLA CON DISCO MANOPOLA D.61,6 REG.ENE. METR		
7	BN2599370R	1	UNDER KNOB	PROTEZIONE MANOPOLA METRO NEW		
8	CR1365390	1	PASTA COOKER BOTTOM	FONDO CUOCIPASTA MONOBLOCCO M40 ECO 70		
9	MA6086113	3	FOOT	ASS.PIEDINO 1" 3/4 INOX FLANG.H150		
10	CR0410090	1	FLANGED FOOT	ASS.PIEDINO 1" 3/4 DOPIA FLANGIA H150		
11	CR1365070	1	BACK PANEL	SCHIENALE MONOBLOCCO M40 ECO 70		
12	CR1365400	1	UPPER CROSS BAR	TRAVERSA SUP. CUOC. MONOBL. M40 ECO 70		
13	CR1365340	1	ASSEMBLY TOP	ASS.PIANO VASCA CPE MONOBLOCCO M40 ECO70		
14	CR1364460	1	INTERNAL CHIMNEY CLOSURE	CHIUSURA INTERNA CAMINO M40 ECO 70		
15	CR0683600	1	EXHAUST REINFORCEMENT	RINFORZO TUBO SCARICO CUOCIPASTA EL.		
16	CR0588960	1	BALL VALVE	VALVOLA SFERA F/F 1		
17	MACM161300	1	UNION	BOCCHETTONE M/F 1" FIG.341 UNI 5192		
18	CR0681800	1	TANK DRAIN	SCARICO VASCA CUOCIPASTA		
19	CR1264300	1	EXTENDS EXHAUST	PROLUNGA SCARICO CUOCIP.FULL GAS 700 BA		
20	MA1515900	1	BUSH	BOCCOLA OTT.20x20 F 10.5 CROM **KB*		
21	MACM155200	1	EXHAUST GRIP	IMPUGNATURA SCARICO CUOCIPASTA		
22	MA1870000R	1	RESISTENCE	RESIST. CUOCIPASTA		
23	MA1814700	1	O-RING	ANELLO DI TENUTA OR 153 SI80		
24	MA1869500	1	RESISTENCE SPACER	DISTANZIALE RESISTENZA CP CCA		
25	MA1869600	1	FIXING PIN	PERNO FISSAGGIO RESISTENZA CUOCIP.		
26	MA1868700	1	FITTING	RACCORDO M10X1 PER CP CCA		
27	MA1814600	1	SEALING RING	BOCCOLA RESISTENZE		
28	MA1815014	1	RESISTANCE BLOCK	BOCCOLA BLOCCA RESISTENZA CP CCA		
29	MA1814400	1	O-RING	ANELLO TENUTA OR 4131		
30	MA1814500	1	GASKET	GUARNIZ.LUBROSEALS		
31	MA14044599	1	NUT	CONTRODADO 1 1/2' FIG.312		
32	CR0587500	1	INDICATOR LIGHT	SPIA ARANCIO C.GUARNIZ.		
33	LA65080250	1	ENERGY REGULATOR	REGOLATORE ENERGIA		
34	CR1367280	1	ADDUCTION CONDUIT	CONDUTTURA ADDUZ. H2O CUOCIP. GAS ECO 70		
35	CR1365410	1	TAP SUPPORT	SUPPORTO RUB. ACQUA CUOCIP. MON. ECO 70		
36	SI0102613	1	TAP STRAIGHT STOP	RUBINETTO DI ARRESTO DRITTO		
37	MA1032500300	2	FITTING	RACCORDO 90°M-/10 X 1/2 OT		
38	CR1367290	1	REGULATOR PIPELINE	CONDUTTURA EROGATORE CUOCIP. GAS ECO 70		
39	CR0582451	1	REGULATOR	EROGATORE CUOCIPASTA		
40	MA1817300R	1	EXHAUST GRID	GRIGLIA SCARICO		
41	CR1365430	1	FRONT	FACCIATA CUOCIP. EL. MON. M40 ECO 70		
42	MA1878400	1	EQUIPOTENTIAL TERMINAL	MORSETTO A PETTINI		



METRO
PASTA-COOKER ELE M40

TABLE B

POS.	CODE/CODES	PIECES	DESCRIPTION	DESCRIZIONE	DATA	R.C.
1	CR1365420	1	ELECTRICAL COMPONENT SUPPORT	SUPPORTO COMP. EL. CUOCIP. MON. ECO 70		
2	MACM187301	1	CONTACTOR	TELERUTTORE SIEMENS		
3	CR0588170	1	TERMINAL BLOCK	MORSETTIERA KL116E 6P-T 40A		
4	CR1020940	1	CABLE GLAND	PRESSACAVO OBO V-TEC		
5	CR1020950	1	LOCK NUT	CONTRODADO OBO		
6	MA1334800	2	CABLE BUSH	BOCCOLA PASSACAVO		
7	MA1986700	1	FILTER SUPPORT SQUARE	SQUADRETTA SUPPORTO FILTRI		
8	CR0733030	3	NOISE FILTER	FILTRO ANTIDISTURBO DEM		
9	MA1878900	1	THERMOSTAT	TERMOSTATO 135°C		
10	CR0799310	1	WIRING	CABLAGGIO CUOCIPASTA EPC74E		