

# INDICE - INDEX - SOMMAIRE - VERZEICHNIS

# ACC

**ACC-04**

ACCESSORI - ACCESSORIES - ACCESSOIRES - ZUBEHÖR

rev.

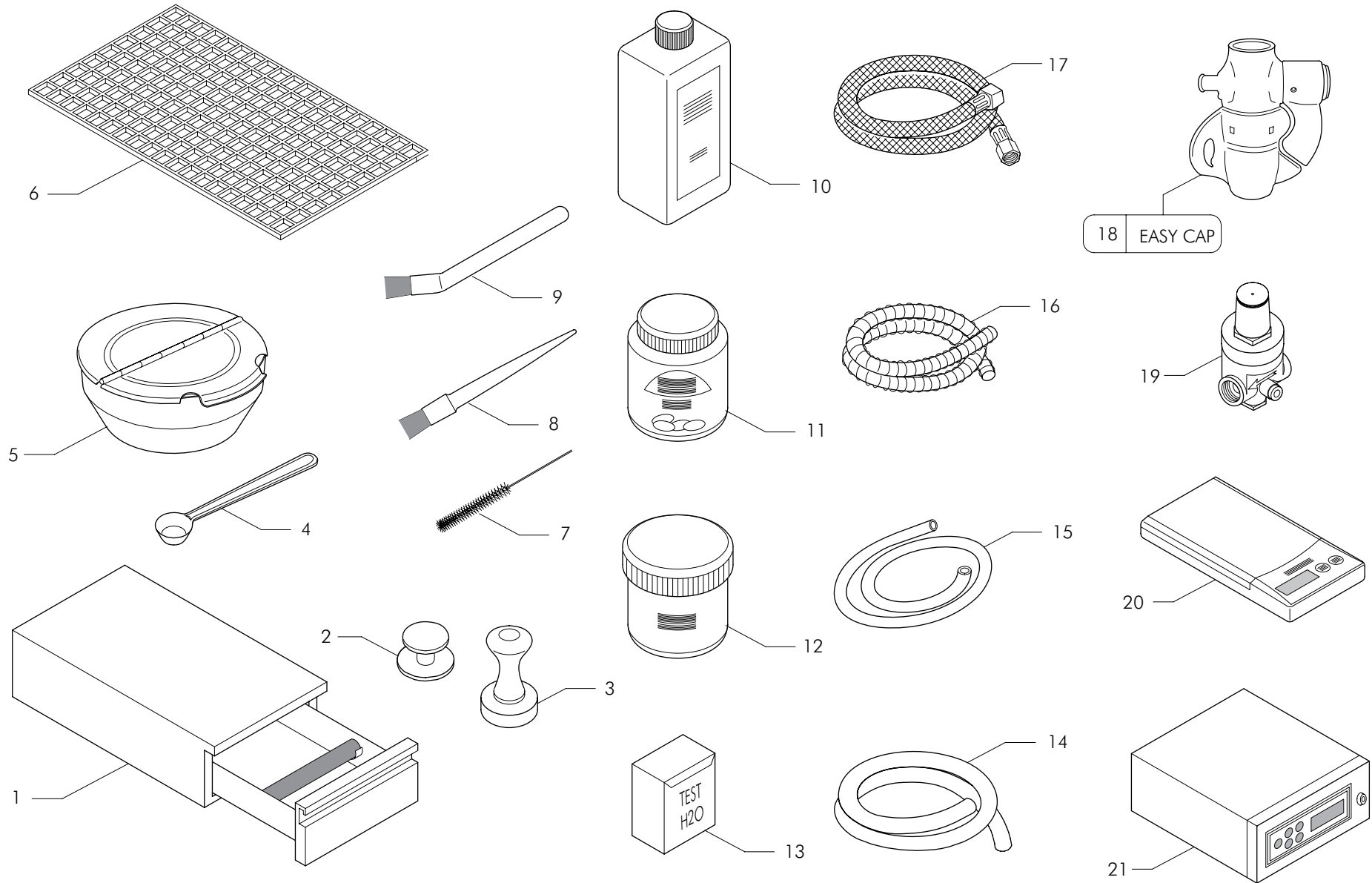
**01**  
05/2007

ACCESSORI

ACCESSORIES

ACCESSOIRES

ZUBEHÖR



Pos	Cod.	Denominazione - IT -	Denomination - GB -	Denomination - FR -	Denomination - DE -
1	31015001	CASSETTIERA INOX 350X250X75	ST.STEEL BOX WITH DRAWER	TIROIR INOX 350X250X75	SCHUBLADE AUS STAHL 350X250X75
1	31016	CASSETTIERA INOX 1 CASSETTO 500X530CON	SINGLE KNOCK OUT DRAWER 500X530X160	TIROIR A MARC SIMPLE 500X530X160	SCHUBLADE 1GR.500X530
1	31017	CASSETTIERA INOX 2 CASSETTI 700X530CON	DOUBLE KNOCK OUT DRAWER 700X530	TIROIR A MARC DOUBLE 700X530X160	SCHUBLADE 2GR. 700X530
2	15420	PRESSINO CAFFE'	COFFEE PRESS	PRESSE CAFE	EINDRÜCKVORRICHTUNG
3	30004001	PRESSINO D.58 MANICO LEGNO	COFFEE PRESS WOOD HANDLE	PRESSE CAFE MANCHE BOIS	EINDRÜCKVORRICHTUNG HOLZ GRIFF
4	15290	MISURINO IN PLASTICA GR.7	7 GR PLASTIC MEASURE	MESURE EN PLASTIQUE 7 GR.	PLASTIKMESSBECHER GR.7
4	30150	MISURINO ACCIAIO INOX	STAINLESS STEEL MEASURE GR.7	MESURE ACIER INOX 7GR.	EDELSTAHL-MESSBECHER 7GR.
5	30300	ZUCCHIERIERA INOX	STAINLESS STEEL SUGAR-BOWL	SUCRIER INOX	ZUCKERDOSE ROSTFREI
6	30225	GRIGLIA MOPLEN TELCO 372X238X4.5	GRATE MOPLEN TELCO 372X238X4.5	GRILLE MOPLEN TELCO 372X238X4.5	GITTER MOPLEN TELCO 372X238X4.5
6	30226	GRIGLIA MOPLEN TELCO 372X203X4.5	GRATE MOPLEN TELCO 372X203X4.5	GRILLE MOPLEN TELCO 372X203X4.5	GITTER MOPLEN TELCO 372X203X4.5
7	15426001	SCOVOLINO INTERDENTALE L MANUALE ROSSO	MANUAL TUBE BRUSH L RED M	ECOUVILLON L MANUEL ROUGE M	REINIGUNGSBUERSTE MANUELL ROT
8	08340	PENNELLO MANICO ROSSO	RED HANDLE BRUSH	PINCEAU POIGNEE ROUGE	ROT PINSELGRIFF
9	15426	SPAZZOLINO NERO SETOLE NYLON CORTE	SHORT BLACK NYLON BRISTLE BRUSH FOR	PETITE BROSSE NOIRE AVEC POILS NYLON	KURZE, SCHWARZE NYLONBUERSTE
10	08453	DETERGENTE V7000 CONF.1LT	DETERGENT V7000 - 1 LT. PACK	DETERGENT V7000 DE 1 LT	REINIGUNGSMITTEL V7000 PACKUNG 1 L
11	08124	PULY CAFF PASTIGLIE CONF.60PZ	DETERG."PULY CAFF" - PACK OF 60 TAB	DETERG. "PULY CAFF" CONF. 60 PASTIL	REINIGUNGSM."PULY CAFF"PACK.60 TABL
12	08126	PULY CAF BARATTOLO CONF.900GR	PULY CAF - CAN - 900 GR	DETERG. "PULY CAFF" CONF. 900 GR	DUSTY CAF 900 GR.
13	08120	TEST PROVA ACQUA MERK	MERK WATER TEST	TEST PREUVE MERK	MERK WASSER TEST
14	15458	TUBO RETINATO CRISTALLINO 16X10	TUBE 16X10	TUYAU 16X10	ROHR 16X10
15	15476	TUBO SILICONE 5X8 KGXMT 0.044	5X8 SILICONE PIPE	TUYAU SILICONE 5X8 KGXMT 0.04	SILIKONROHR 5X8 KGXMT 0.044
16	15470	TUBO CAVOFLEX D16 SCARICO	D16 CAVOFLEX DRAIN PIPE	TUYAU CAVOFLEX D16 SCARICO	ABFLUSSROHR CAVOFLEX D16
17	30401	TUBOFLEX 1/4FF P.GOMMA CON. L28 NI	1/4 FEMALE L28 FLEX PIPE CONICAL HOSE	TUYAU FLEX 1/4 FF L28 PORTE-TUYAU	SCHLAUCH 1/4 AUFNAHMETÜR L28 GUMMI KONI
17	30403	TUBOFLEX 3/8FF P.GOMMA CON. L33 NI	3/8 FEMALE L33 FLEX PIPE CONICAL HOSE	TUYAU FLEX 3/8 FF L33 PORTE-TUYAU	SCHLAUCH 3/8 AUFNAHMETÜR L33 GUMMI KONI
17	30404	TUBOFLEX 3/8FF P.GOMMA CON. L45 NI	3/8 FEMALE L45 FLEX PIPE CONICAL HOSE	TUYAU FLEX 3/8 FF L45 PORTE-TUYAU	SCHLAUCH 3/8 AUFNAHMETÜR L45 GUMMI KONI
17	30407	TUBOFLEX 3/8FF P.GOMMA CON. L100 NI	3/8 FEMALE L100 FLEX PIPE CONICAL HOSE	TUYAU FLEX 3/8 FF L100 PORTE-TUYAU	SCHLAUCH 3/8 AUFNAHMETÜR L100 GUMMI KONI
17	30408	TUBOFLEX 3/8FF P.GOMMA CON. L150 NI	3/8 FEMALE L150 FLEX PIPE CONICAL HOSE	TUYAU FLEX 3/8 FF L150 PORTE-TUYAU	SCHLAUCH 3/8 AUFNAHMETÜR L150 GUMMI KONI
18	30515000	CAPPUCCINATORE COMPLETO	CAPPUCCINO MAKER COMPLETE	KIT CAPPUCCINO COMPLET	CAPPUCCINO ZUBEREITER
19	26330	RIDUTTORE PRESSIONE STANDARD PN25 DN3/8	STANDARD PRESS. REDUCTOR PN25 DN3	REDUCTEUR PRESS. STANDARD PN25 DN3/	DRUCKREDUZIERER STANDARD PN25 DN3/8
20	35AA0310	BILANCIA DIGITALE	DIGITAL SCALE	BALANCE DIGITAL	DIGITALWAAGE
21	26025	CONTABATTUTE SEMPLICE 220V 951419	SIMPLIFIED COUNTER 220V 951419	COMPTE-COUPS SEMPLIFIE 220V 951419	ZAHLER 220V 951419
21	26026	CONTABATTUTE 15 CHIAVI 220V 950859	COUNTER 15 KEYS 220V 950859	COMPTE-COUPS 15 CLES 220V 950859	ZAHLER 15 SCHLUSSEL 220V 950859
21	26028	CONTABATTUTE 15 CHIAVI 110V 951436	COUNTER 15 KEYS 110V 951436	COMPTE-COUPS 15 CLES 110V 951436	ZAHLER 15 SCHLUSSEL 110V 951436

# INDICE - INDEX - SOMMAIRE - VERZEICHNIS

# ACC

**ACC-02**

ADDOLCITORI - WATER SOFTENER - ADOUCISSEUR - ENTHARTER

rev.

**01**  
05/2007

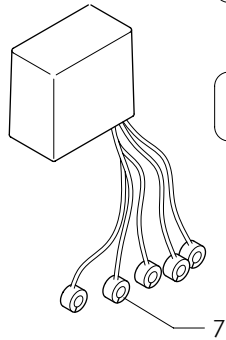
ADDOLCITORI  
WATER SOFTENER  
ADOUCISSEUR  
ENTHARTER

MULTIHEAD

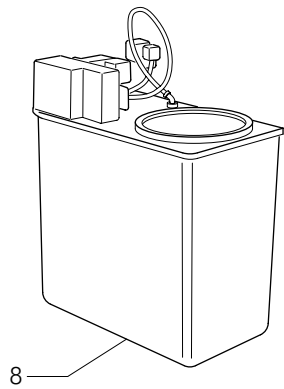
1	1GR
2	2GR
3	3GR
4	4GR

SIBILLA

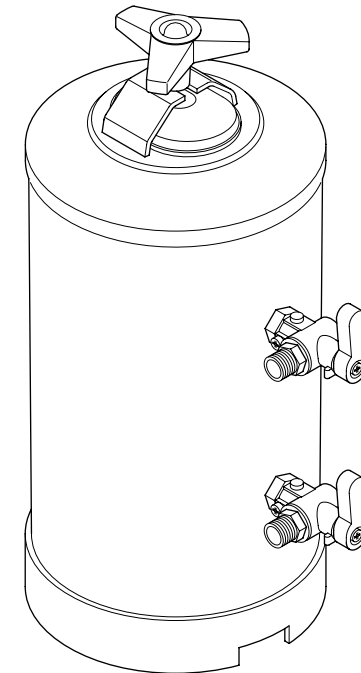
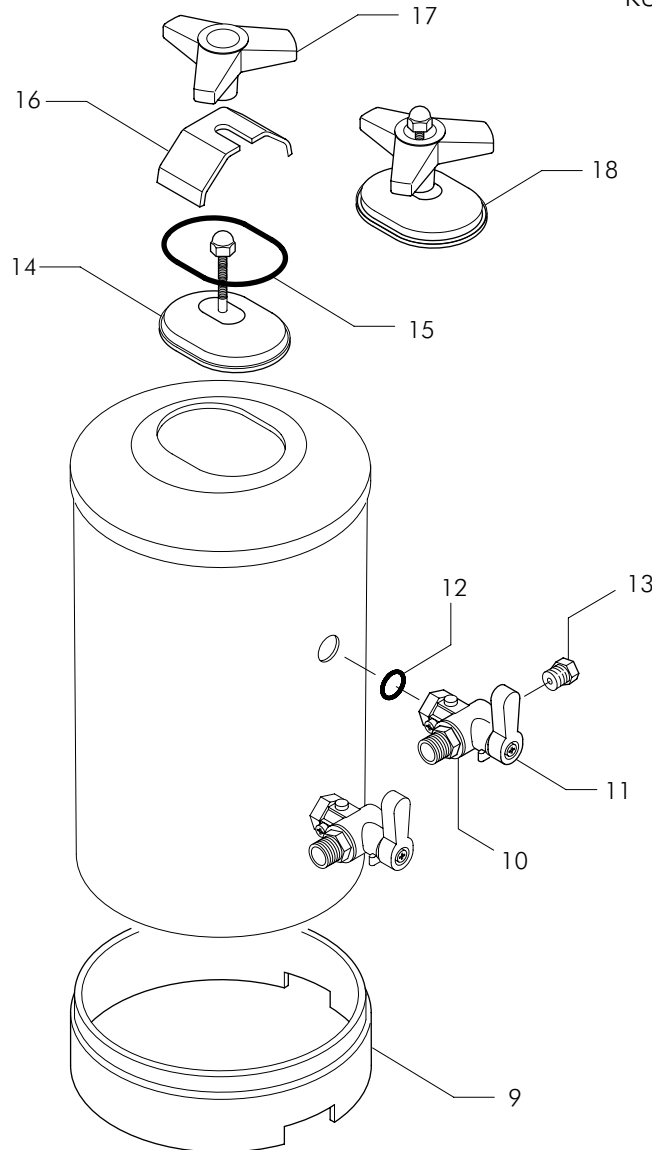
5	2GR
6	3GR



AUTOMATICO-AUTOMATIC  
AUTOMATIQUE-AUTOMATISCHE

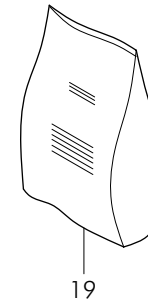


RESINE - RESIN  
KUNSTHARZ

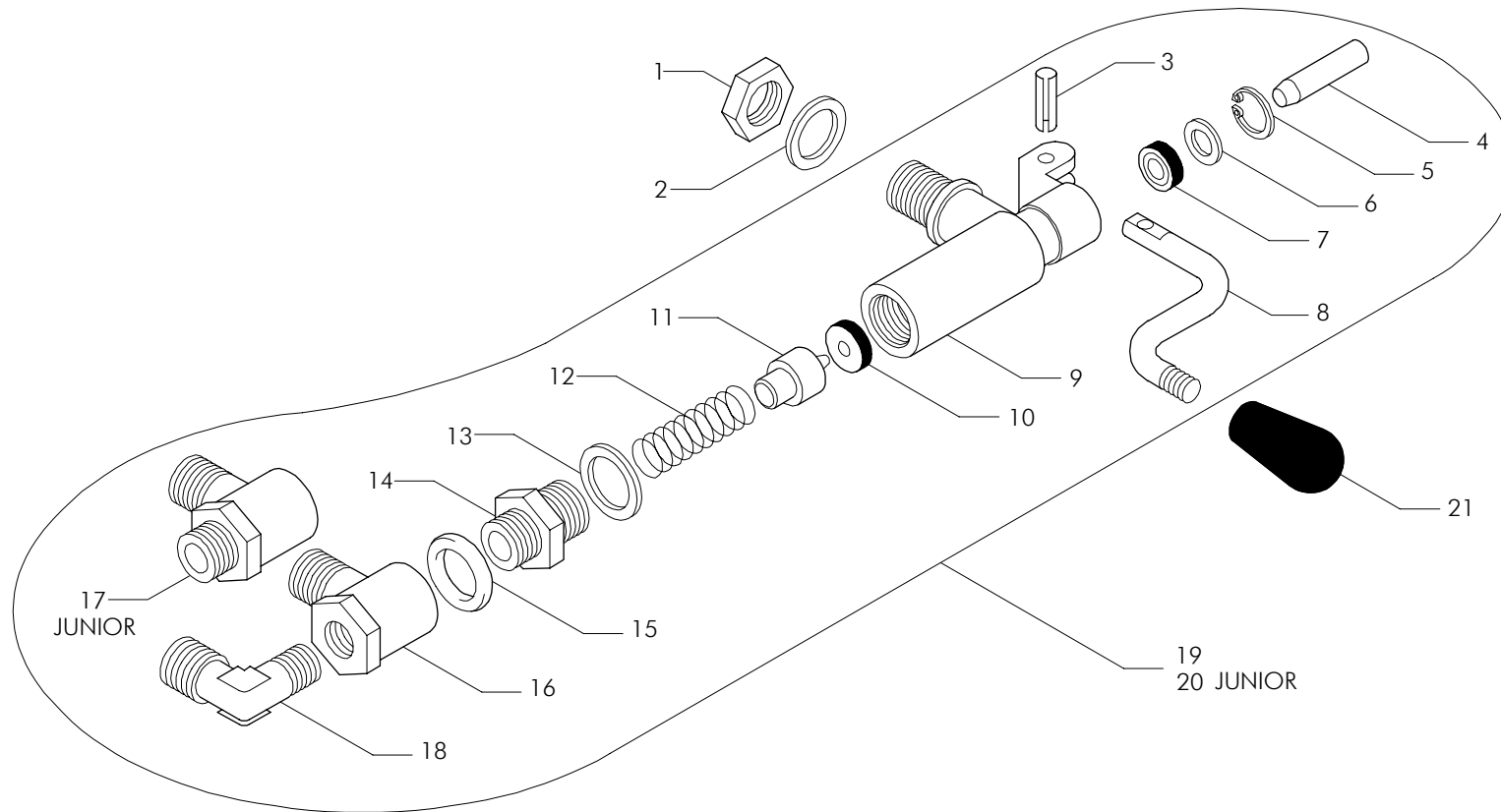


20	5 LT
21	8 LT
22	12 LT
23	16 LT
24	20 LT

BY-PASS	
25	8 LT
26	12 LT
27	16 LT



Pos	Cod.	Denominazione - IT -	Denomination - GB -	Denomination - FR -	Denomination - DE -
1	83260006R	KIT ADD.MULTIHEAD 1GR 120V	MULTIHEAD SOFTENER KIT 1GR 120V	KIT ADOUCISSEUR MULTIHEAD 1GR 120V	ELEKT.ENTKAELKER MULTIHEAD 1GR 120V
1	83260007R	KIT ADD.MULTIHEAD 1GR 230V	MULTIHEAD SOFTENER KIT 1GR 230V	KIT ADOUCISSEUR MULTIHEAD 1GR 230V	ELEKT.ENTKAELKER MULTIHEAD 1GR 230V
2	83260025R	KIT ADD.MULTIHEAD 2GR 120V	MULTIHEAD SOFTENER KIT 2GR 120V	KIT ADOUCISSEUR MULTIHEAD 2GR 120V	ELEKT.ENTKAELKER MULTIHEAD 2GR 120V
2	83260026R	KIT ADD.MULTIHEAD 2GR 230V	MULTIHEAD SOFTENER KIT 2GR 230V	KIT ADOUCISSEUR MULTIHEAD 2GR 230V	ELEKT.ENTKAELKER MULTIHEAD 2GR. 230V
3	83260028R	KIT ADD.MULTIHEAD 3GR 230V	MULTIHEAD SOFTENER KIT 3GR 230V	KIT ADOUCISSEUR MULTIHEAD 3GR 230V	ELEKT.ENTKAELKER MULTIHEAD 3GR. 230V
4	83260029R	KIT ADD.MULTIHEAD 4GR 230V	MULTIHEAD SOFTENER KIT 4GR 230V	KIT ADOUCISSEUR MULTIHEAD 4GR 230V	ELEKT.ENTKAELKER MULTIHEAD 4GR. 230V
5	83260019R	KIT ADD.MULTIHEAD 2GR 120V	MULTIHEAD SOFTENER KIT 2GR 120V	KIT ADOUCISSEUR MULTIHEAD 2GR 120V	ELEKT.ENTKAELKER MULTIHEAD 2GR 120V
5	83260020R	KIT ADD.MULTIHEAD 2GR 230V	MULTIHEAD SOFTENER KIT 2GR 230V	KIT ADOUCISSEUR MULTIHEAD 2GR 230V	ELEKT.ENTKAELKER MULTIHEAD 2GR 230V
6	83260022R	KIT ADD.MULTIHEAD 3GR 230V	MULTIHEAD SOFTENER KIT 3GR 230V	ADOUCISSEUR MULTIHEAD 3GR 230V	ELEKT.ENTKAELKER MULTIHEAD 3GR 230V
7	26038004	TESTA FERRITE MULTIHEAD	FERRITE RING MULTIHEAD	ANNEAU EN FERRITE MULTIHEAD	FERRITRING MULTIHEAD
8	26037	ADDOLC.AUT.CABIN.LT 8 DM 01 3/8"	AUTOMATIC WATER SOFTENER LT.8	ADOUCISSEUR AUTOMATIQUE LT.8	AUTOMATISCHE ENTHARTER DVA LT.8
8	26037001	ADDOLC.AUT.CABIN.LT 8 3/8" TESTATA USA	AUTOMATIC WATER SOFTENER LT.8 USA	ADOUCISSEUR AUTOMATIQUE LT.8 USA	AUTOMATISCHE ENTHARTER DVA LT.8 USA
9	28072	FONDELLO ADDOLCITORE	SOFTENER PLASTIC LOWER BASE	CULOT ADOUCISSEUR	BODEN ENTKALKER
10	28284	RUBINETTO PER ADDOLCITORE	TAP FOR SOFTENER	ROBINET POUR ADOUCISSEUR	HAHN FÜR ENTHÄRTER
11	28203	MANOPOLA ROSSA RUBINETTO ADDOLCIT.	RED HANDLE X WATER SOFTENER TAP	POIGNEE ROUGE X ROBINET ADOUCISSEUR	ROTER HANDGRIFF X ENTKALKERHAHN
12	12300	GUARNIZIONE OR 113 NBR/70	O RING GASKET 113 NBR/70	JOINT OR 113 NBR/70	OR-DICHTUNG 113 NBR/70
13	10320500	GIGLER OT X ADOLCITORE M6 FORO D-1 R13	SOFTENER LOWER TAP GIGLEUR	GICLEUR LAITON POUR ADOUCISSEUR M6 X	VERMESSINGTE ENTKALKER M6 D-0,8
14	28071	CORPO TAPPO + TIRANTEXADDOLCIT. C11	CAP + TIE ROD FOR SOFTENER	BOUCHON ADOUCISSEUR	ENTKALKERSTOPFEN
15	12410	GUARNIZIONE X TAPPO ADDOLCITORE	GASKET X WATER SOFTENER CAP	JOINT X BOUCHON ADOUCISSEUR	DICHTUNG X ENTKALKERSTOPFEN
16	28324	STAFFA TAPPO ADDOLCITORE C12	BRACKET CAP FOR SOFTENER	MEULE BOUCHON ADOUCISSEUR	BUGEL ENTKALKER
17	28205	MANOPOLA TAPPO ADDOLCITORE C9	SOFTENER TOP PLASTIC KNOB	POIGNEE BOUCHON ADOUCISSEUR	ENTKALKER HANDGRIFF
18	28205001	TAPPO ADDOLCITORE COMPLETO C10	SOFTENER COMLETE TOP LID	BOUCHON ADOUCISSEUR	DECKEL FUER ENTKALKER
19	28283	RESINA PER ADDOLCITORE	SOFTENER RESIN	RESINE ADOUCISSEUR	KUNSTHARZ FUR ENTKALKER
20	26029	ADDOLCITORE DVA LT 5	DVA 5 LT WATER SOFTENER	ADOUCISSEUR DVA LT 5	ENTKAELKER DVA LT 5
21	26030	ADDOLCITORE DVA LT 8	DVA 8 LT WATER SOFTENER	ADOUCISSEUR DVA LT 8	ENTHÄRTER DVA LT 8
22	26031	ADDOLCITORE DVA LT 12	DVA 12 LT WATER SOFTENER	ADOUCISSEUR DVA LT 12	ENTHÄRTER DVA LT 12
23	26032	ADDOLCITORE DVA LT 16	DVA 16 LT WATER SOFTENER	ADOUCISSEUR DVA LT 16	ENTHÄRTER DVA LT 16
24	26038011	ADDOLCITORE DVA LT 20	DVA 20 LT WATER SOFTENER	ADOUCISSEUR DVA LT 20	ENTHÄRTER DVA LT 20
25	26033	ADDOLCITORE DVA LT 8 BY-PASS	WATER SOFTENER DVA LT. 8 BY-PASS	ADOUCISSEUR DVA LT. 8 BY-PASS	ENTKALKER DVA LT.8 BY-PASS
26	26034	ADDOLCITORE DVA LT 12 BY-PASS	WATER SOFTENER DVA LT. 12 BY-PASS	ADOUCISSEUR DVA LT. 12 BY-PASS	ENTHARTER DVA LT.12 BY-PASS
27	26035	ADDOLCITORE DVA LT 16 BY-PASS	WATER SOFTNER DVA LT. 16 BY-PASS	ADOUCISSEUR DVA LT. 16 BY-PASS	ENTHALTER DVA LT.16 BY-PASS



Pos	Cod.	Denominazione - IT -	Denomination - GB -	Denomination - FR -	Denomination - DE -
1	25356	CONTRODADO OTTONE 3/8	BRASS LOCK NUT 3/8	CONTRE-ECROU LAITON 3/8	MESSING-GEGENMUTTER 3/8
2	25651	RONDELLA OTTONE 3/8	BRASS WASHER 3/8	RONDELLE LAITON 3/8	MESSINGSCHEIBE 3/8
3	10701	SPINA ELASTICA BRUNITA 5X20	BURNISHED ROLL PIN 5X20	FICHE ELASTIQUE BRUNIE 5X20	BRÜNIERTER ELASTISCHER STECKER 5X20
4	25315	ASTINA X POMPA H2O 8X35.6	WATER PUMP SPINDLE 8X35.6	TIGE POMPE EAU 8X35.6	STANGE FÜR WASSERPUMPE 8X35.6
5	10002	ANELLO DI ARRESTO INOX J 16 DIN472	STAINLESS CIRCLIP J 16	CIRCLIP INOX J 16	STAHLHALTERING J 16 DIN472
6	25653	RONDELLA X ASTINA D.EST. 15.4	SPINDLE WASHER 15.4	RONDELLE POUR TIGE 15.4	SCHEIBE F. STANGE 15.4
7	12205	GUARNIZIONE GOMMA GACO DE 056	GACO RUBBER GASKET DE 056	JOINT EN CAOUTCHOUC GACO DE 056	GACO GUMMIDICHTUNG DE 056
8	25202	LEVA POMPA ENTRATA H2O AD "S" FINITA	PUMP LEVER WATER REFILL	LEVIER POMPE REMPLISSAGE EAU	PUMPENHEBEL WASSERFULLUNG
9	53004	CORPO POMPA	PUMP BODY	CORPS POMPE	PUMPENKORPER
10	12203	GUARNIZIONE GOMMA 15X4X4	RUBBER GASKET 15X4X4	JOINT EN CAOUTCHOUC 15X4X4	GUMMIDICHTUNG 15X4X4
11	25615	PISTONCINO POMPA H2O	WATER PUMP JUMPER	PISTON POMPE EAU	KOLBEN FÜR WASSERPUMPE
12	10451	MOLLA PIST POMPA VALVOLA SC N2 (C)	PUMP-VALVE S.C.PISTON SPRING N2 (C)	RESSORT PISTON POMPE-VALVE S.C.N2 C	PUMPENVENTIL S.C.KOLBENFEDER N2 (C)
13	12150	GUARNIZ.CU POMPA / VALV.ESP. 25X18.2	PUMP COPPER GASKET 25X18.2X2	JOINT CU DE POMPE 25X18.2X2	PUMPENDICHTUNG 25X18.2X2
14	25680	RACCORDO POMPA 3/8XM18X1.5	PUMP CONNECTOR 3/8 X M18 X 1.5	RACCORD POMPE 3/8 X M18 X 1.5	PUMPENANSCHLUSS 3/8XM18X1.5
15	12101	GUARNIZIONE CU/ALIM 3/8 22X17X3	3/8 22X17X3 FEEDER/COPPER SEAL	JOINT CUIVRE/ALIM 3/8 22X17X3	KUPFERDICHTUNG/SPEIS. 3/8 22X17X3
16	43030001	RACCORDO INIETTORE 3/8FX3/8MX14F	3/8FX3/8MX14F INJECTOR FITTING	RACC. INJECTEUR 3/8FX3/8MX14F	ANSCHLUSS EINSPRITZER 3/8FX3/8MX14F
17	43020	DISTANZIALE POMPA	PUMP SPACER	ENTRETOISE POMPE	PUMPENENTFERNUNGSSTUCK
18	23202	RACCORDO GOM.D8.2 3/8X1/4 CON	ELBOW BRASS CONNECTOR D8.2 3/8X1/4	RACCORD COUDE LAITON D8.2 3/8X1/4	MESSING-ANSCHLUSS D8.2 3/8X1/4
19	61014	ASSIEME POMPA H2O ER+AEA (-POMELLO)	H2O DISTR.+AEA PUMP ASS.(-KNOB)	ENS.POMPE EAU DISTRI.+AEA BOUTON	SET PUMPE H2O ABGABE+AEA -KNAUF
20	61006	ASS.POMPA H2O ER/AL+AEA AR/W(-POM.)	UNIT PUMP + AUT.WATER REFILL ARG/WE	ENSEMBLE POMPE + R.E.A ARG/WE	PUMPENSATZ + A.W.F. ARG.WE
21	15400	POMELLO LEVETTA POMPA I.147/40-M8	MANUAL FILL LEVER KNOB I.147/40-M8	BOUTON LEVIER POMPE I.147/40-M8	KNAUF PUMPENHEBEL I.147/40-M8



**Caldia e Scambiatore C.T.S.  
C.T.S. heating Boiler and Exchanger  
Chaudière et Echangerur à C.T.S.  
Dampkessel C.T.S.**

---

**CLD-15**

JUN - 1 GR

rev.

**02**

04/2009

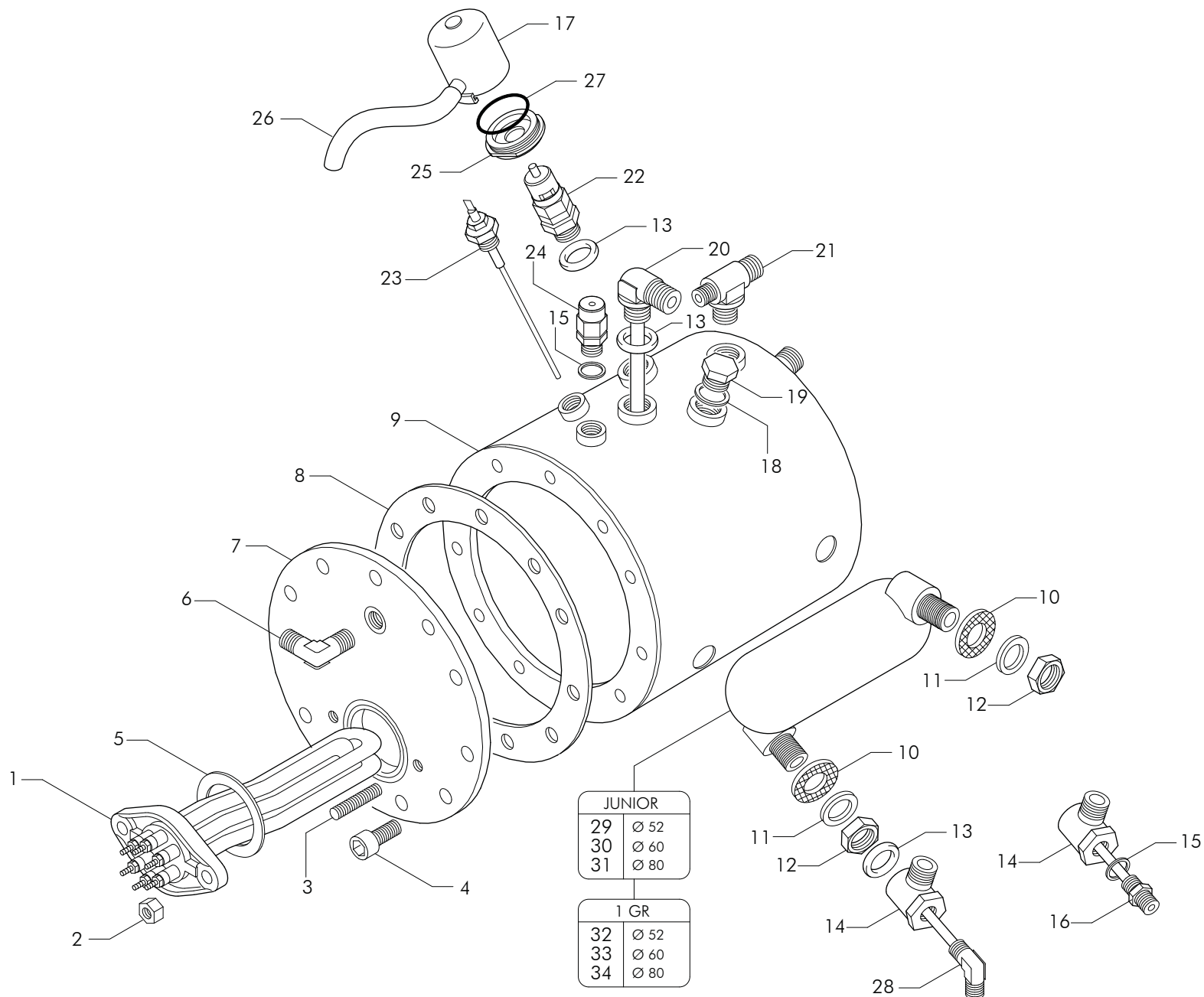
**CLD-20**

2 - 3 - 4 GR

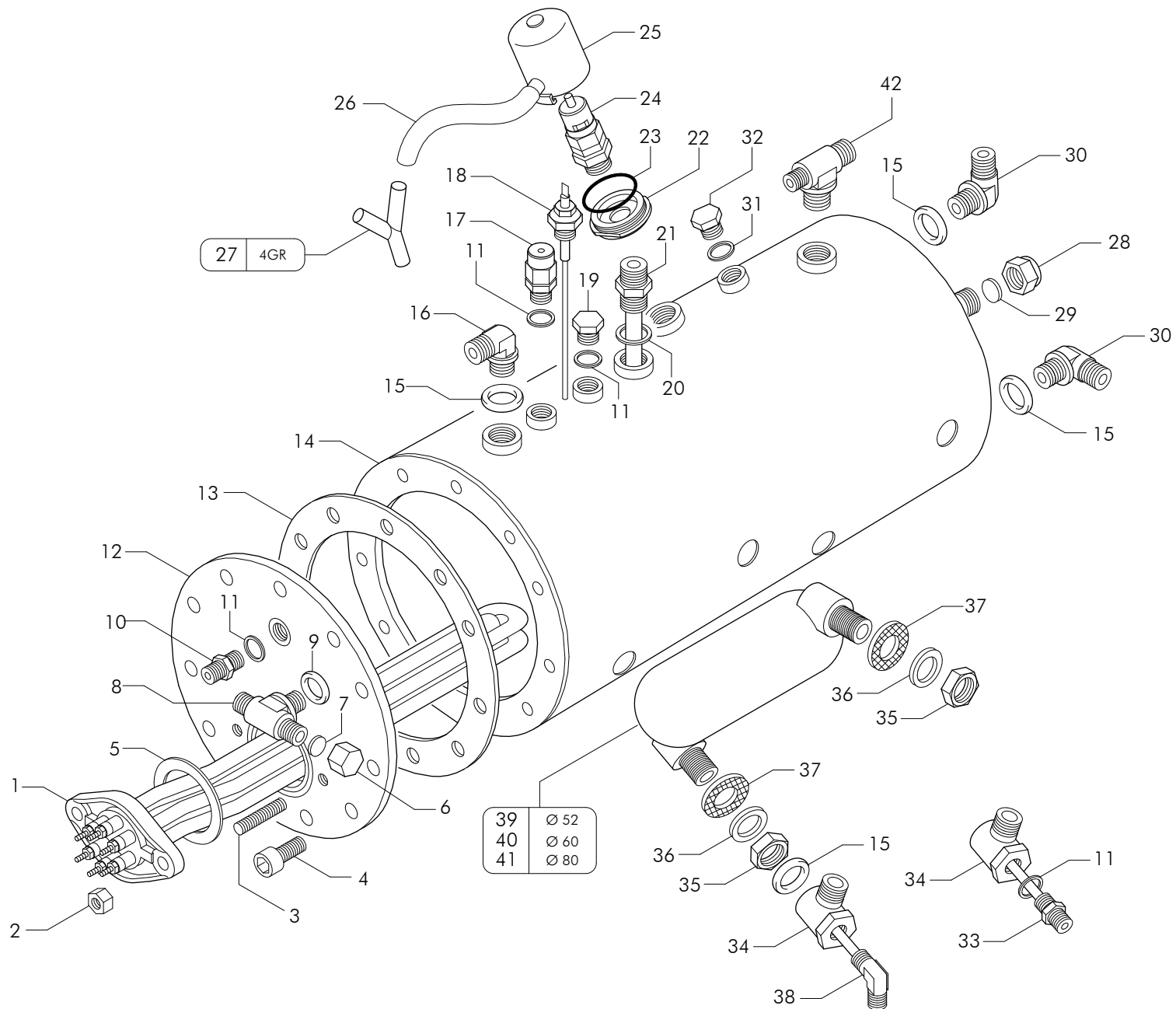
rev.

**02**

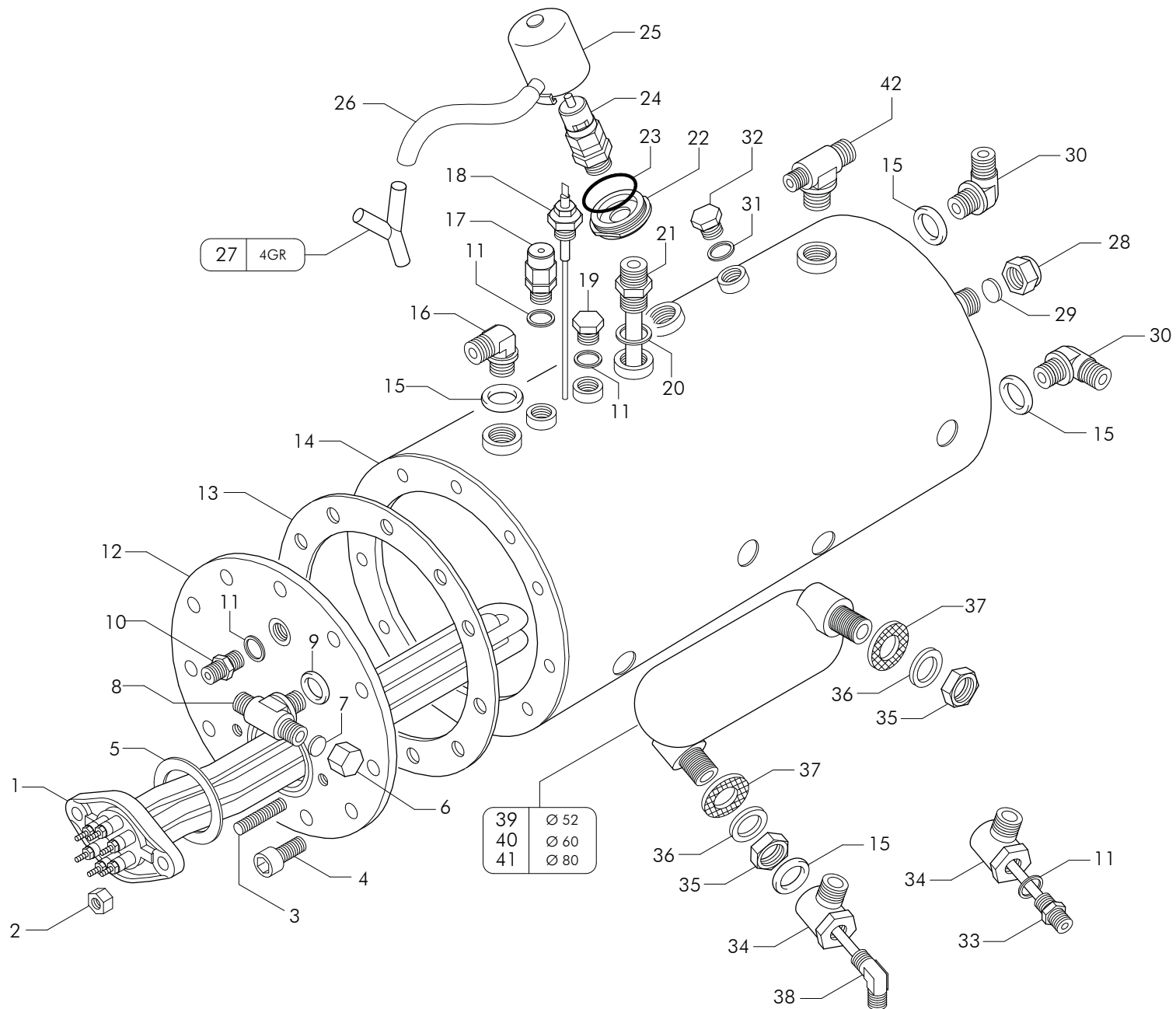
04/2009



Pos	Cod.	Denominazione - IT -	Denomination - GB -	Denomination - FR -	Denomination - DE -
1	17000	RESISTENZA 1GR 4P 120V 1700W	HEATING ELEMENT 1GR 120V 1700W	RESISTANCE 1GR 120V 1700W	HEIZKORPER 1GR 120V 1700W
1	17001	RESISTENZA 1GR 4P 120V 2000W	HEATING ELEMENT 1GR 110V-2000W	RESISTANCE ELECTRIQUE 1GR 110V2000W	HEIZKORPER 1 GR 110V 2000W
1	17006	RESISTENZA 1GR 6P 230/240V 2000/2177W	HEAT.ELEMENT 1GR 220/240 2000/2177W 6P	RESISTANCE 1GR 220/240 2000/2177W 6P	HEIZKORPER 1GR 220/240 2000/2177W
1	17015	RESISTENZA 1GR 4P 440V 2000W	HEATING EL.1GR 440V-2000W 4POLES	RESISTANCE 1GR 440V-2000W 4POLES	HEIZKORPER 1GR 440V-2000W 4POLEN
2	23049	DADO OTTONE M8 UNI 5587	BRASS NUT M8 UNI 5587	ECROU LAITON M8 UNI 5587	MESSING-SCHRAUBENMUTTER M8 UNI 5587
3	23133	PRIGIONIERO INOX AISI304 8X30 DIN 939	STAINLESS STEEL BOLT AISI304 8X40	VIS INOX AISI304 8X40	STAHLSCHRAUBE 8X40 AISI304 8X40
4	23556	VITE TCEI INOX 10X20 UNI5931 DIN912	STEEL SCREW TCCE 10X20	VIS INOX TCCE 10X20	STAHLSCHRAUBE TCCE 10X20
5	12001	GUARNIZIONE TEFLON VERGINE	TEFLON GASKET ELEMENT/EXCH. 58X43X2	JOINT TEFLON RESIST/ECHANG. 58X43X2	TEFLON DICHTUNG 58X23X2
6	23203	RACCORDO OTT.GOM.D6.2 1/4X1/4 CON	ELBOW BRASS CONNECTOR D6.2 1/4X1/4	RACCORD COUDE LAITON D6.2 1/4X1/4	MESSING-ANSCHLUSS D6.2 1/4X1/4
7	53011	FLANGIA NORMALE SENZA FORI	FLANGE WITHOUT HOLES	BRIDE SANS TROUS	NORMALER FLANSCH OHNE LÖCHER
8	12003	GUARNIZIONE TEFLON	BOILER TEFLON GASKET 190X139X2	JOINT CHAUDIERE TEFLON 190X139X2	TEFLON KESSELDICHTUNG 190X139X2
9	62020001	CALDAIA JUN CTS AEA 5LT	CTS AEA 5LT JUN BOILER	CHAUDIERE JUN CTS AEA 5L. F	HEIZKESSEL JUNIOR CTS AEA 5L
9	62020002	CALDAIA 1GR CTS AEA 6LT	CTS AEA 6LT BOILER 1 UNIT	CHAUDIERE 1GR CTS AEA 6L. F	HEIZKESSEL 1GR CTS AEA 6LT
9	62020003	CALDAIA JUN CTS AEA OVE	CTS AEA JUN OVE BOILER	CHAUDIERE JUN CTS AEA OVE	HEIZKESSEL JUN CTS AEA OVE
9	62020004	CALDAIA 1GR CTS AEA OVE	CTS AEA OVE BOILER 1 UNIT	CHAUDIERE 1GR CTS AEA OVE	HEIZKESSEL 1GR CTS AEA OVE
10	12005	GUARNIZIONE REINZXCAMB.CAR.28X17X2	GASKET REINZ EXCH.28X17X2	JOINT REINZ D'ECHANGEUR 28X17X2	AUSTAUSCH DICHTUNG AUSTAUSCHER 28X17X2
11	25651	RONDELLA OTTONE 3/8	BRASS WASHER 3/8	RONDELLE LAITON 3/8	MESSINGSCHLEIBE 3/8
12	25356	CONTRODADO OTTONE 3/8	BRASS LOCK NUT 3/8	CONTRE-ECROU LAITON 3/8	MESSING-GEGENMUTTER 3/8
13	12101	GUARNIZIONE CU/ALIM 3/8 22X17X3	3/8 22X17X3 FEEDER/COPPER SEAL	JOINT CUIVRE/ALIM 3/8 22X17X3	KUPFERDICHTUNG/SPEIS. 3/8 22X17X3
14	43030001	RACCORDO INIETTORE ITALIA 3/8FX3/8MX14F	3/8FX3/8MX14F INJECTOR FITTING	RACC. INJECTEUR 3/8FX3/8MX14F	ANSCHLUSS EINSPRITZER 3/8FX3/8MX14F
14	43030001	RACCORDO INIETTORE ITALIA 3/8FX3/8MX14F	3/8FX3/8MX14F INJECTOR FITTING	RACC. INJECTEUR 3/8FX3/8MX14F	ANSCHLUSS EINSPRITZER 3/8FX3/8MX14F
15	12153	GUARNIZIONE CU 1/4 17X13.3X1.5	1/4 17X13.3X1.5 COPPER SEAL	JOINT CUIVRE 1/4 17X13.3X1.5	KUPFERDICHTUNG 1/4 17X13.3X1.5
16	25686001	RACC.1/4-1/4 INIET. CTS + TUB.L-80	1/4-1/4 CTS INJECTOR FITTING+80L PI	RACC.1/4 .1/4 INJECT.+TUYAU L.80	ANSCHLUSS 1/4-1/4 EINSPRITZER+ROHR
17	56009980	ASSIEME PROTEZIONE VALVOLE SICUREZZA	UNIT PROTECTION VALVE	ENSEMBLE PROTECTION VANNE	SATZ-SCHUTZGITTER VENTIL
18	12154	GUARNIZIONE CU 3/8 22X17X1.5	3/8 22X17X1.5 COPPER SEAL	JOINT CUIVRE 3/8 22X17X1.5	KUPFERDICHTUNG 3/8 22X17X1.5
19	25780	TAPPO MASCHIO OTTONE 1/4	BRASS MALE CAP 1/4	BOUCHON MALE LAITON 1/4	MESSING-STOPFEN 1/4
20	52000119	TBS.D-10 L.125 PESCANTE "L" A 50/A	D-10 125 L PIPE CUPWARMER AT 50/A	TUYAU D-10 L.125 POUR ASPIRATION "L"	ROHR D.10 L.125 A 50/A
21	43033	RACCORDO "T" 3/8X3/8X1/4	3/8X3/8X1/4 T FITTING	RACCORD "T" 3/8X3/8X1/4	ANSCHLUSS 3/8X3/8X1/4 T
22	20352	VALVOLA DI SICUREZZA *CE*	*CE* SAFETY VALVE	SOUPAPE DE SECURITE *CE*	SICHERHEITSVENTIL *CE*
22	20356	VALVOLA DI SICUREZZA CE ITALIA	*CE* SAFETY VALVE ITALY	SOUPAPE DE SECURITE *CE* ITALY	SICHERHEITSVENTIL *CE* ITALY
23	20251	SONDA LIVELLO	LEVEL PROBE	JAUG	PEGELFÜHLER
24	56150	VALVOLA ANTIRISUCCHIO V.A.R.	ANTI-EDDY VALVE V.A.R.	SOUPAPE ANTI-DEPRESSION V.A.R.	VENTIL UNTERDRUCKFREI V.A.R.
25	15006001	FLANGIA VALVOLA SICUREZZA	FLANGE VALVE	JOINT VANNE	FLANSCH VENTIL
26	15478002	TUBO SILICONE 8X11 L.70CM	SILICONE TUBE 8X11 L.70CM	TUYAU SILICONE 8X11 L.70CM	SILIKONROHR 8X11 L.70CM
27	12300000	GUARNIZIONE OR 3156 HNBR	O RING	JOINT OR	OR DICHTUNG
28	52000410	TUBO D-6 L.85 AEP-SAE/2GR GL11	TUBE D-6 L.85 GL11	TUYAU D-6 L.85 GL11	ROHR D-6 L.85 GL11
29	63201	SCAMB. A CIRC.TERMOSIFONICA JUNIOR	JUNIOR EXCHANGER W/THERMOSIPH. CIRC	ECHANG.CIRCUL.A THERMOSI. JUNIOR	AUSTAUSCHER MIT R\205HREN JUNIOR
30	63201001	SCAMB.CIRC.TERMOSIFONICA JUN D-60	EXCHANGER WITH THERM.CIRCULATI JUN D-60	ECHANG. CIRCUL. A THERMOSIPHON JUN D-60	AUSTAUSCHER MIT ROHREN JUN D-60
31	63201002	SCAMB.CIRC.TERMOSIFONICA JUN D-80	EXCHANGER WITH THERM.CIRCULATI JUN D-80	ECHANG. CIRCUL. A THERMOSIPHON JUN D-80	AUSTAUSCHER MIT ROHREN JUN D-80
32	63200	SCAMBIATORE A CIRC.TERMOSIFONICA D.52	EXCHANGER WITH THERMOS.CIRCULATI D.52	ECHANG. CIRCUL. A THERMOSIPHON D.52	AUSTAUSCHER MIT ROHREN D.52
33	63200001	SCAMB.CIRC.TERMOSIFONICA D-60	EXCHANGER WITH THERMOS.CIRCULATI D-60	ECHANG. CIRCUL. A THERMOSIPHON D-60	AUSTAUSCHER MIT ROHREN D-60
34	63200002	SCAMB.CIRC.TERMOSIFONICA D-80	EXCHANGER WITH THERMOS.CIRCULATI D-80	ECHANG. CIRCUL. A THERMOSIPHON D-80	AUSTAUSCHER MIT ROHREN D-80



Pos	Cod.	Denominazione - IT -	Denomination - GB -	Denomination - FR -	Denomination - DE -
1	17050	RESISTENZA 2GR 4P 120V 2600W	HEATING ELEMENT 2GR 110V-2600W	RESISTANCE ELEC. 2GR 110V-2600W	HEIZKORPER 2GR 110V-2600W
1	17054	RESISTENZA 2GR 6P 230/380V 2600W	HEATING EL.2GR 220/380V-2600W 6POLE	RESISTANCE 2GR 220V/380V-2600W 6P	HEIZKORPER 2GR 220V/380V-2600 6P
1	17057	RESISTENZA 2GR 6P 230/240V 4000/4350W	HEATING EL. 2GR 220/380V-4000W 6P	RESISTANCE 2GR 220/380V 4000W 6P.	HEIZKORPER 2GR 220/380V 4000W 6P
1	17058	RESISTENZA 2GR 6P 230/380V 3000V	HEATING EL.2GR 220/380V-3000W 6POLE	RESISTANCE 2GR 220/380V-3000W 6POLE	HEIZKORPER 2GR 220/380V-3000W 6P
1	17059	RESISTENZA 2GR 6P 230/240V 3400/3700W	HEATING EL.2GR 220/240V 3400/3700W 6P	RESISTANCE 2GR 220/240V 3400/3700W 6P	HEIZKORPER 2GR 220/240V 3400/3700W 6P
1	17060	RESISTENZA 2GR 6P 230/380V 4500W	HEATING EL.2GR 230/380V 4500W 6POLE	RESISTANCE 2GR 230/380V 4500W 6POLE	HEIZKORPER 2GR 230/380V 4500W 6P
1	17061	RESISTENZA 2GR 4P 440V 2600W	HEATING ELEMENT 2GR 440V 2600W 4P	RESISTANCE ELEC. 2GR 440V 2600W 4P	HEIZKORPER 2GR 440V 2600W 4P
1	17062	RESISTENZA 2GR 4P 440V 4000W	HEATING ELEMENT 2GR 440V 4000W 4P	RESISTANCE ELEC. 2GR 440V 4000W 4P	HEIZKORPER 2GR 440V 4000W 4P
1	17063	RESISTENZA 2GR 6P 230/380V 6000	HEATING EL. 2GR 220/380V 6000W 6P	RESISTANCE ELEC. 220/380V 6000W 6P	HEIZKORPER 2GR 220/380V 6000W 6P
1	17100	RESISTENZA 3GR 4P 120V 3700W	HEATING ELEMENT 3 GR 110V 3700W	RESISTANCE ELEC. 3GR 110V 3700W	HEIZKORPER 3GR 110V 3700W
1	17104	RESISTENZA 3GR 6P 230/380V 3700W	HEATING EL. 3GR 220/380V 3700W 6P	RESISTANCE 3GR 220/380V 3700W 6P	HEIZKORPER 3GR 220/380V 3700W 6P
1	17107	RESISTENZA 3GR 6P 230/240V 5000/5440W	HEATING EL. 3GR 220/240V 5000/5440 6P	RESISTANCE 3GR 220/240V 5000/5440W	HEIZKORPER 3GR 220/240V 5000/5440W
1	17114	RESISTENZA 3GR 4P 440V 3700W	HEATING EL. 3GR 440V 3700W 4POLE	RESISTANCE 3GR 440V 3700W 4POLE	HEIZKORPER 3GR 440V 3700W 4P
1	17115	RESISTENZA 3GR 6P 230/400V 6000W	HEATING EL. 3GR 220/380V 6000W 6P	RESISTANCE 3GR 220/380V 6000W 6P	HEIZKORPER 3GR 220/380V 6000W 6P
1	17151	RESISTENZA 4GR 6P 230/380V 5000W	HEATING EL. 4GR 220/380V 5000W 6P	RESISTANCE 4GR 220/380V 5000W 6P	HEIZKORPER 4GR 220/380V 5000W 6P
1	17152001	RESISTENZA 4GR 6P 230/380V 7000W	HEATING EL. 4GR 220/380V 7000W 6P	RESISTANCE 4GR 220/380V 7000W 6P	HEIZKORPER 4GR 220/380V 7000W 6P
1	17155	RESISTENZA 4GR 4P 440V 5000W	HEATING EL. 4GR 440V 5000W 4POLES	RESISTANCE 4GR 440V 5000W 4POLES	HEIZKORPER 4GR 440V 5000W 4POLEN
2	23049	DADO OTTONE M8 UNI 5587	BRASS NUT M8 UNI 5587	ECROU LAITON M8 UNI 5587	MESSING-SCHRAUBENMUTTER M8 UNI 5587
3	23133	PRIGIONIERO INOX AISI304 8X30 DIN 939	STAINLESS STEEL BOLT AISI304 8X40	VIS INOX AISI304 8X40	STAHLSCRAUBE 8X40 AISI304 8X40
4	23556	VITE TCEI INOX 10X20 UNI5931 DIN912	STEEL SCREW TCCE 10X20	VIS INOX TCCE 10X20	STAHLSCRAUBE TCCE 10X20
5	12001	GUARNIZIONE TEFLON VERGINE	TEFLON GASKET ELEMENT/EXCH. 58X43X2	JOINT TEFLON RESIST/ECHANG. 58X43X2	TEFLON DICHTUNG 58X23X2
6	25782	TAPPO FEMMINA 1/4 GAS	1/4 GAS FEMALE TAP	BOUCHON FEMELLE 1/4 GAZ	INNENANSCHLUSSSTÖPSEL 1/4 GAS
7	12007	GUARNIZIONE KLINGERSIL4400	KLINGERSIL4400 SEAL	JOINT KLINGERSIL4400 POUR BOUCHON	DICHTUNG KLINGER SIL4400 X DECKEL
8	43060	RACCORDO 1/4X1/4X1/4 T	'T' CONNECTOR 1/4 + 1/4 + 1/4	RACCORD 'T' 1/4 + 1/4 + 1/4	T'-ANSCHLUSS 1/4+1/4+1/4
9	12100	GUARNIZIONE CU/ALIM 1/4 18.7X13.2X2.5	CU GASKET 1/4 18.7X13.2X2.5	JOINT CU 1/4 18.7X13.2X2.5	CU DICHTUNG 1/4 18.7X13.2X2.5
10	25686	RACCORDO 1/4X1/4 FLANGIA	CONNECTOR 1/4 X 1/4 FLANGE	RACCORD 1/4 X 1/4 BRIDE	ANSCHLUSS 1/4X1/4 FLANSCH
11	12153	GUARNIZIONE CU 1/4 17X13.3X1.5	1/4 17X13.3X1.5 COPPER SEAL	JOINT CUIVRE 1/4 17X13.3X1.5	KUPFERDICHTUNG 1/4 17X13.3X1.5
12	53011	FLANGIA NORMALE SENZA FORI	FLANGE WITHOUT HOLES	BRIDE SANS TROUS	NORMALER FLANSCH OHNE LÖCHER
13	12003	GUARNIZIONE TEFLON	BOILER TEFLON GASKET 190X139X2	JOINT CHAUDIERE TEFLON 190X139X2	TEFLON KESSELDICHTUNG 190X139X2
14	62143001	CALDAIA 2GR CTS AEA	CTS AEA BOILER 2 UNIT	CHAUDIERE 2GR CTS AEA	HEIZKESSEL 2GR CTS AEA
14	62143002	CALDAIA 2GR CTS AEA OVE	CTS AEA OVE BOILER 2 UNIT	CHAUDIERE 2GR CTS AEA OVE	HEIZKESSEL 2GR CTS AEA OVE
14	62250001	CALDAIA 3GR CTS AEA	CTS AEA BOILER 3 UNIT	CHAUDIERE 3GR CTS AEA	HEIZKESSEL 3GR CTS AEA
14	62250002	CALDAIA 3GR CTS AEA OVE	CTS AEA OVE BOILER 3 UNIT	CHAUDIERE 3GR CTS AEA OVE	HEIZKESSEL 3GR CTS AEA OVE
14	62356001	CALDAIA 4GR CTS AEA	CTS AEA BOILER 4 UNIT	CHAUDIERE 4GR CTS AEA	HEIZKESSEL 4GR CTS AEA
14	62356002	CALDAIA 4GR CTS AEA OVE	CTS AEA OVE BOILER 4 UNIT	CHAUDIERE 4GR CTS AEA OVE	HEIZKESSEL 4GR CTS AEA OVE
15	12101	GUARNIZIONE CU/ALIM 3/8 22X17X3	3/8 22X17X3 FEEDER/COPPER SEAL	JOINT CUIVRE/ALIM 3/8 22X17X3	KUPFERDICHTUNG/SPEIS. 3/8 22X17X3



Pos	Cod.	Denominazione - IT -	Denomination - GB -	Denomination - FR -	Denomination - DE -
16	43052	RACCORDO "L" 3/8	CONNECTOR "L" 3/8	RACCORD "L" 3/8	ANSCHLUSS "L" 3/8
17	56150	VALVOLA ANTIRISUCCHIO V.A.R.	ANTI-EDDY VALVE V.A.R.	SOUPAPE ANTI-DEPRESSION V.A.R.	VENTIL UNTERDRUCKFREI V.A.R.
18	20251	SONDA LIVELLO	LEVEL PROBE	JAUG	PEGELFÜHLER
19	25780	TAPPO MASCHIO OTTONE 1/4	BRASS MALE CAP 1/4	BOUCHON MALE LAITON 1/4	MESSING-STOPFEN 1/4
20	12154	GUARNIZIONE CU 3/8 22X17X1.5	3/8 22X17X1.5 COPPER SEAL	JOINT CUIVRE 3/8 22X17X1.5	KUPFERDICHTUNG 3/8 22X17X1.5
21	52000118	TUBO D-10 L.130	TUBE D-10 L.130	TUYAU D-10 L.130	ROHR D-10 L.130
22	15006001	FLANGIA VALVOLA SICUREZZA	FLANGE VALVE	JOINT VANNE	FLANSCH VENTIL
23	12300000	GUARNIZIONE OR 3156 HNBR	O RING	JOINT OR	OR DICHTUNG
24	20352	VALVOLA DI SICUREZZA *CE*	*CE* SAFETY VALVE	SOUPAPE DE SECURITE *CE*	SICHERHEITSVENTIL *CE*
24	20356	VALVOLA DI SICUREZZA CE ITALIA	*CE* SAFETY VALVE ITALY	SOUPAPE DE SECURITE *CE* ITALY	SICHERHEITSVENTIL *CE* ITALY
25	56009980	ASSIEME PROTEZIONE VALVOLE SICUREZZA	UNIT PROTECTION VALVE	ENSEMBLE PROTECTION VANNE	SATZ-SCHUTZGITTER VENTIL
26	15478002	TUBO SILICONE 8X11 L.70CM	SILICONE TUBE 8X11 L.70CM	TUYAU SILICONE 8X11 L.70CM	SILIKONROHR 8X11 L.70CM
27	15422010	RACCORDO "Y" POLIPROPILENE D-10	"Y" POLIPROPILENE FITTING	RACCORD "Y" POLIPROPILENE	ANSCHLUSS "Y" POLIPROPILENE
28	25781	TAPPO FEMMINA 3/8	FEMALE CAP 3/8	BOUCHON FEMELLE 3/8	STOPFEN 3/8
29	12402	GUARNIZIONE PASTICCA KLINGERSIL4400	GASKET KLINGERSIL4400 15X3	JOINT KLINGERSIL4400 15X3	DICHTUNG KLINGERSIL4400 15X3
30	43052	RACCORDO "L" 3/8	CONNECTOR 'L' 3/8	RACCORD 'L' 3/8	ANSCHLUSS 'L' 3/8
31	12154	GUARNIZIONE CU 3/8 22X17X1.5	3/8 22X17X1.5 COPPER SEAL	JOINT CUIVRE 3/8 22X17X1.5	KUPFERDICHTUNG 3/8 22X17X1.5
32	25785	TAPPO MASCHIO 3/8	MALE CAP 3/8	BOUCHON MALE 3/8	STOPFEN 3/8
33	25686001	RACC.1/4-1/4 INIET. CTS + TUB.L-80	1/4-1/4 CTS INJECTOR FITTING+80L PI	RACC.1/4 .1/4 INJECT.+TUYAU L.80	ANSCHLUSS 1/4-1/4 EINSPRITZER+ROHR
34	43030001	RACCORDO INIETTORE ITALIA 3/8FX3/8MX14F	3/8FX3/8MX14F INJECTOR FITTING	RACC. INJECTEUR 3/8FX3/8MX14F	ANSCHLUSS EINSPRITZER 3/8FX3/8MX14F
35	25356	CONTRODADO OTTONE 3/8	BRASS LOCK NUT 3/8	CONTRE-ECROU LAITON 3/8	MESSING-GEGENMUTTER 3/8
36	25651	RONDELLA OTTONE 3/8	BRASS WASHER 3/8	RONDELLE LAITON 3/8	MESSINGSCHIEBE 3/8
37	12005	GUARNIZIONE REINZXCAMB.CAR.28X17X2	GASKET REINZ EXCH.28X17X2	JOINT REINZ D'ECHANGEUR 28X17X2	AUSTAUSCH DICHTUNG AUSTAUSCHER 28X17X2
38	52000410	TUBO D-6 L.85 AEP-SAE/2GR GL11	TUBE D-6 L.85 GL11	TUYAU D-6 L.85 GL11	ROHR D-6 L.85 GL11
39	63200	SCAMBIATORE A CIRC.TERMOSIFONICA D.52	EXCHANGER WITH THERMOS.CIRCULATI D.52	ECHANG. CIRCUL. A THERMOSIPHON D.52	AUSTAUSCHER MIT ROHREN D.52
40	63200001	SCAMB.CIRC.TERMOSIFONICA D-60	EXCHANGER WITH THERMOS.CIRCULATI D-60	ECHANG. CIRCUL. A THERMOSIPHON D-60	AUSTAUSCHER MIT ROHREN D-60
41	63200002	SCAMB.CIRC.TERMOSIFONICA D-80	EXCHANGER WITH THERMOS.CIRCULATI D-80	ECHANG. CIRCUL. A THERMOSIPHON D-80	AUSTAUSCHER MIT ROHREN D-80
42	43033	RACCORDO "T" 3/8X3/8X1/4	3/8X3/8X1/4 T FITTING	RACCORD "T" 3/8X3/8X1/4	ANSCHLUSS 3/8X3/8X1/4 T

## INDICE - INDEX - SOMMAIRE - VERZEICHNIS

rev.

**CDV-01**

Carrozzeria **RAMATO/OTTONATO** - Body parts **COPPER/BRASS** colour **01**  
Carrosserie couleur **CUIVRE/LAITON** - Karosserie **VERKUPFERT/MESSINGBESCH.** *02/2007*

**CDV-02**

Carrozzeria **CELESTE** - Body parts **BLUE** **01**  
Carrosserie **BLEU** - Karosserie **BLAU** *02/2007*

**CDV-03**

Carrozzeria **ROSA** - Body parts **PINK** **01**  
Carrosserie **ROSE** - Karosserie **ROSE** *02/2007*

**CDV-04**

Carrozzeria **ROSSO** - Body parts **RED** **01**  
Carrosserie **ROUGE** - Karosserie **ROT** *02/2007*

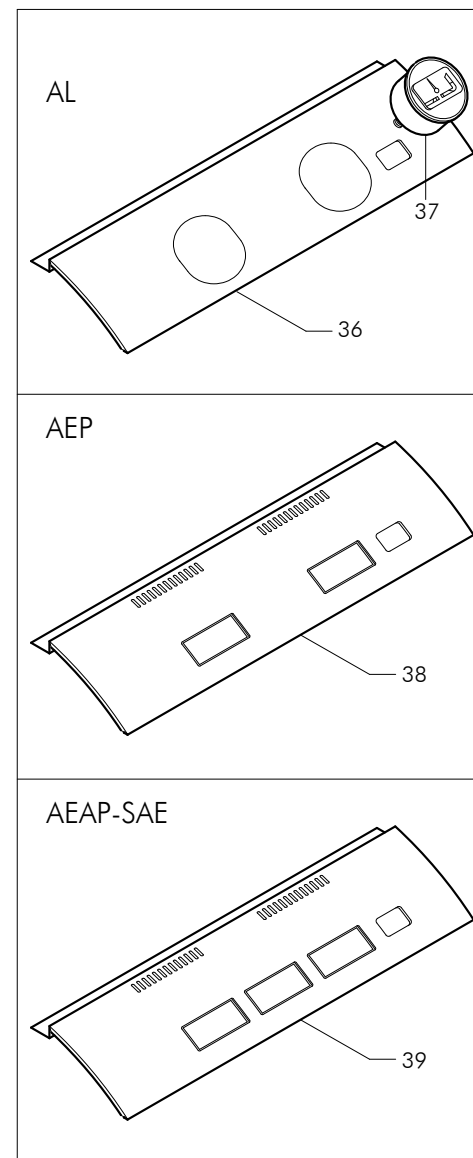
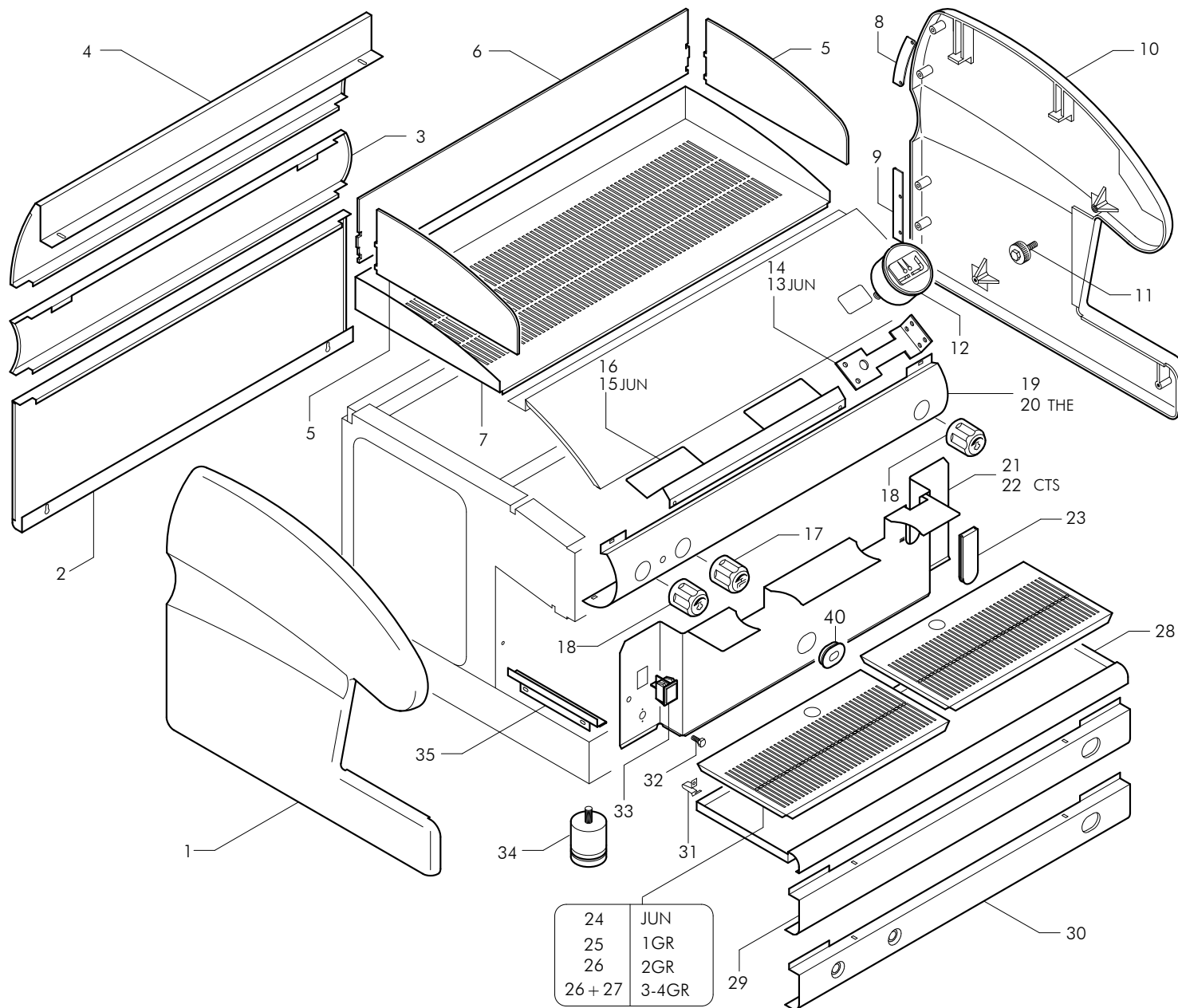
**CDV-05**

Carrozzeria **NERO/OTTONATO** - Body parts **BLACK/BRASS** **01**  
Carrosserie **NOIR/LAITON** - Karosserie **SCHWARZ/MESSINGBESCH.** *02/2007*

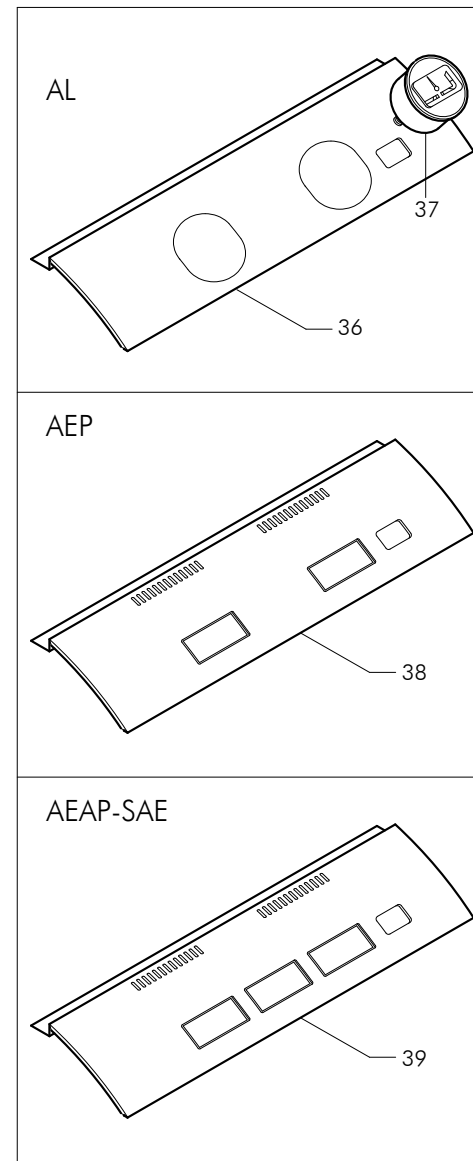
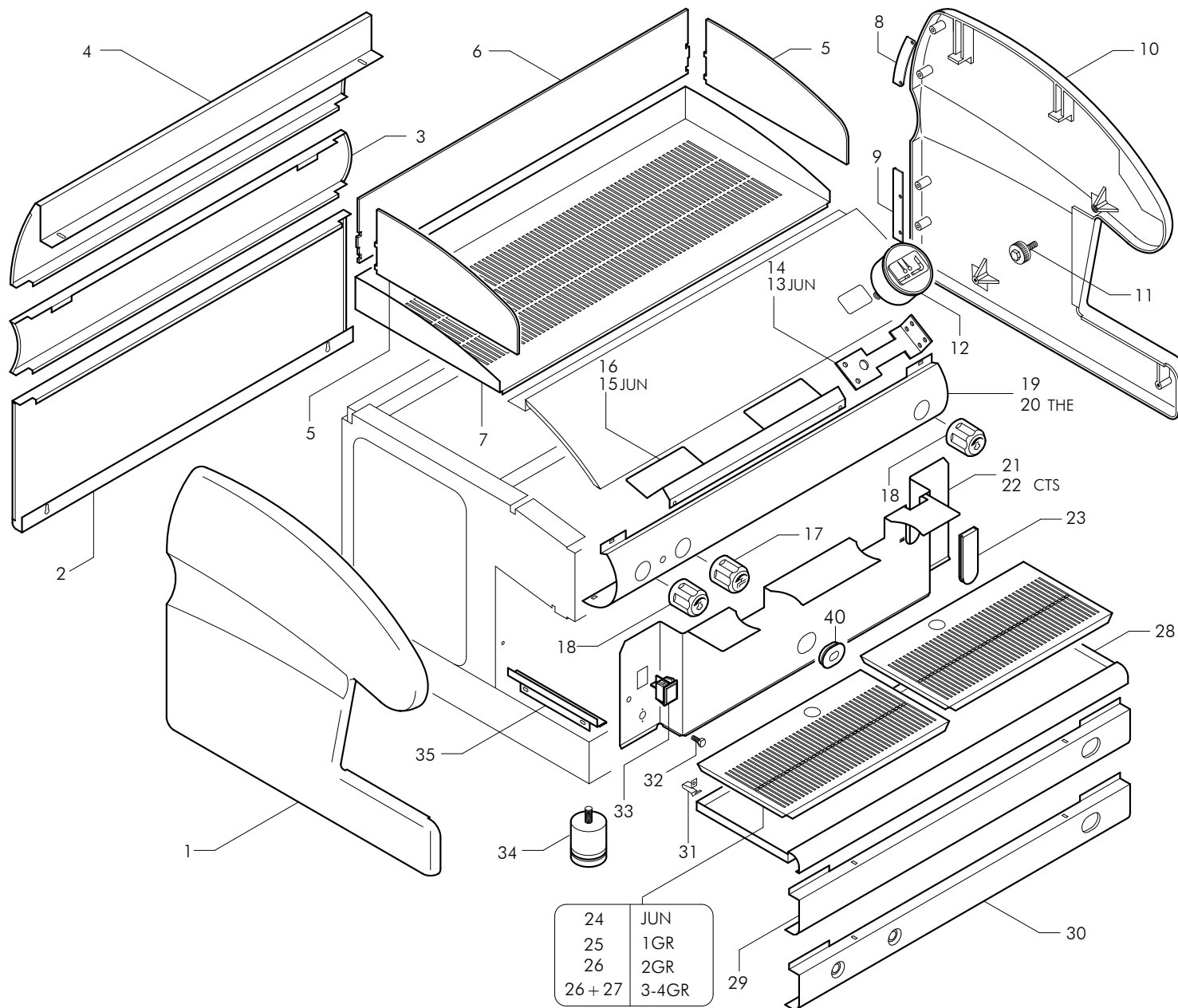
*Carrozzeria  
Body parts  
Carrosserie  
Karosserie*

# DIVINA

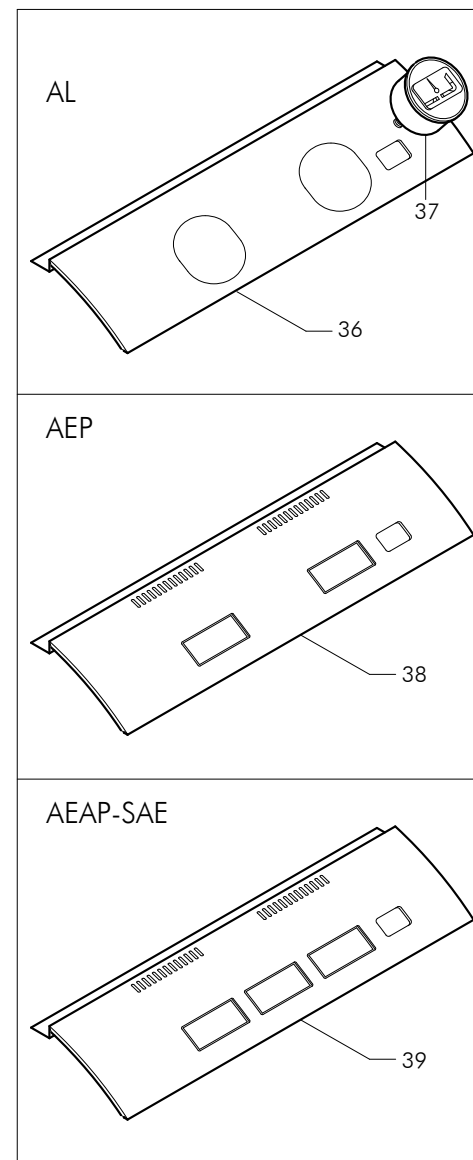
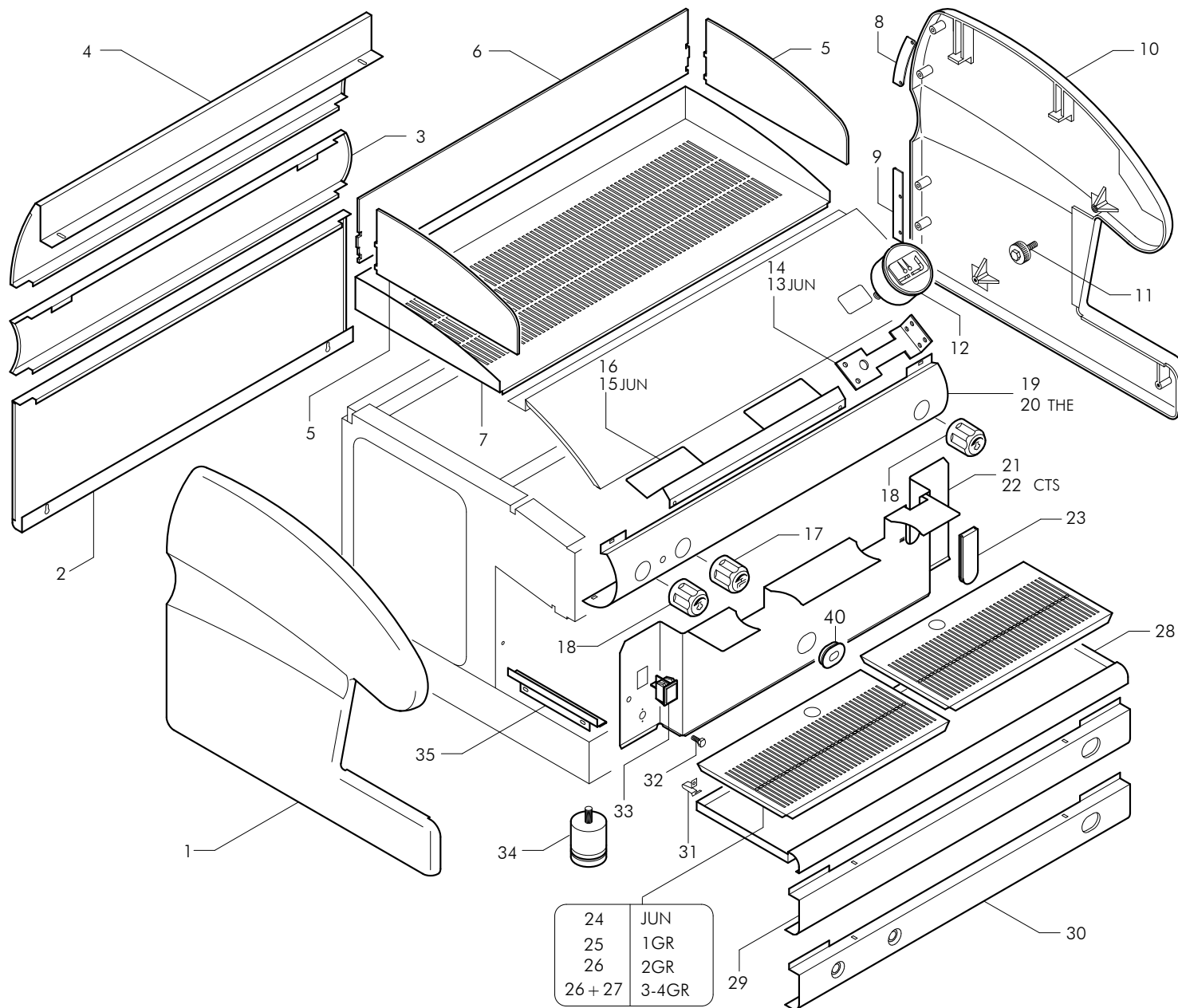




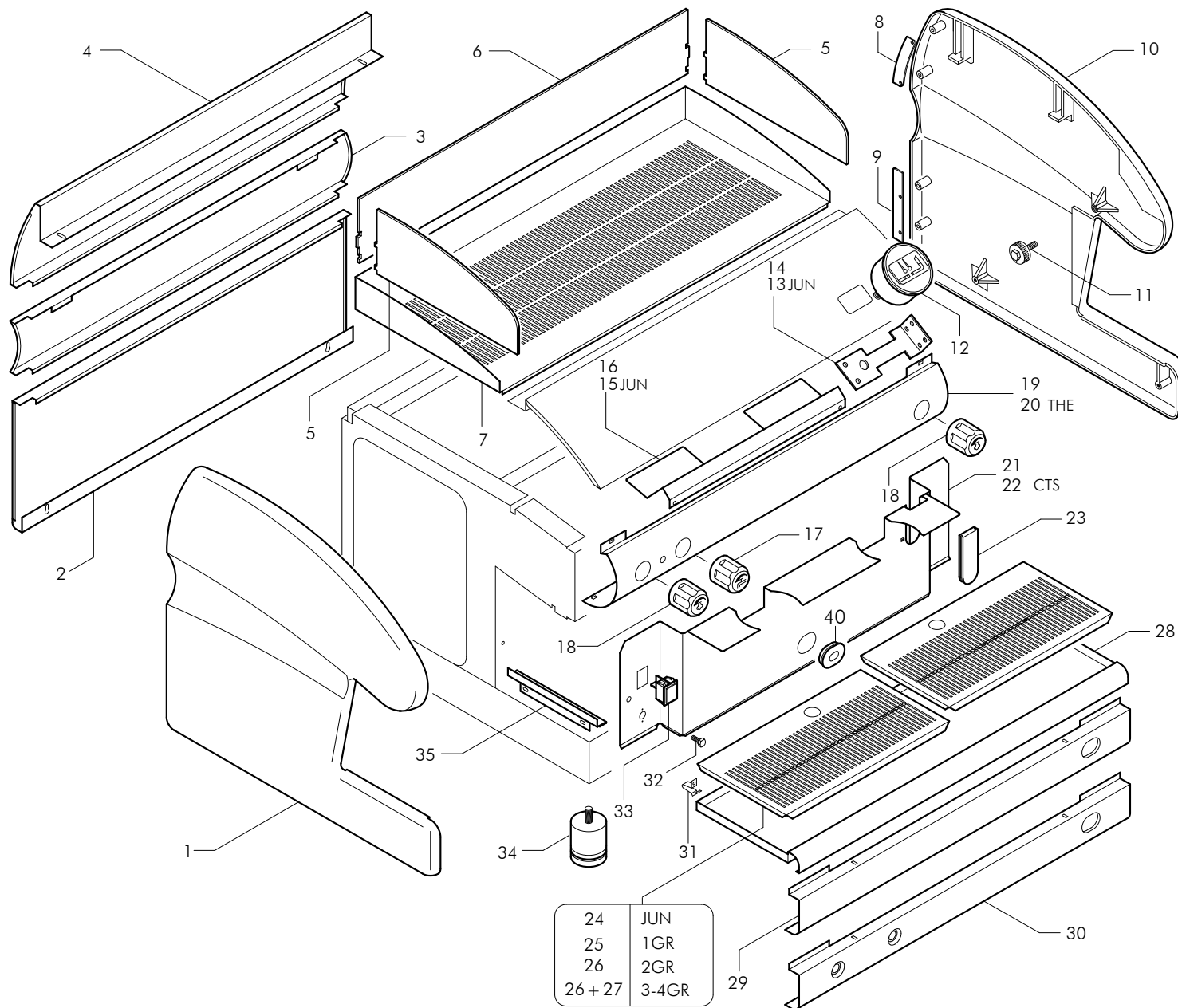
Pos	Cod.	Denominazione - IT -	Denomination - GB -	Denomination - FR -	Denomination - DE -
1	73130081	FIANCO SX DIVINA RAMATO/OTTONATO	LEFT SIDE DIVINA COPPER/BRASS COLOR	COTE GAUCHE DV COUL. CUIVRE/LAITON	LINKE SEITE FARBE KUPFER/MESSING
2	75269342	PANN.POST.INF.JUN DIVINA OTTONATO	BOTT.REAR PANEL JUN BRASS COLOUR	PANN.ARR.BAS JUN COULEUR LAITON	HINTERE UNTERE TAFEL JUN FARBE MESSING
2	75269352	PANN.POST.INF.1GR DIVINA OTTONATO	PANEL 1GR BRASS COLOUR	PANNEAU 1GR COULEUR LAITON	1GR TAFEL FARBE MESSING
2	75269362	PANN.POST.INF.2GR DIVINA OTTONATO	PANEL 2GR BRASS COLOUR	PANNEAU 2GR COULEUR LAITON	2GR TAFEL FARBE MESSING
2	75269372	PANN.POST.INF.3GR DIVINA OTTONATO	PANEL 3GR BRASS COLOUR	PANNEAU 3GR COULEUR LAITON	3GR TAFEL FARBE MESSING
2	75269382	PANN.POST.INF.4GR DIVINA OTTONATO	PANEL 4GR BRASS COLOUR	PANNEAU 4GR COULEUR LAITON	4GR TAFEL FARBE MESSING
3	75269391	PANN.POST.CEN.JUN DIVINA RAMATO	CENTRAL PANEL JUN COPPER COLOUR	PANNEAU CENTRAL JUN COULEUR CUIVRE	HINTERE MITTLERE TAFEL JUN FARBE KUPFER
3	75269401	PANN.POST.CEN.1GR DIVINA RAMATO	PANEL 1GR COPPER COLOUR	PANNEAU 1GR COULEUR CUIVRE	1GR TAFEL FARBE KUPFER
3	75269411	PANN.POST.CEN.2GR DIVINA RAMATO	PANEL 2GR COPPER COLOUR	PANNEAU 2GR COULEUR CUIVRE	2GR TAFEL FARBE KUPFER
3	75269421	PANN.POST.CEN.3GR DIVINA RAMATO	PANEL 3GR COPPER COLOUR	PANNEAU 3GR COULEUR CUIVRE	3GR TAFEL FARBE KUPFER
3	75269431	PANN.POST.CEN.4GR DIVINA RAMATO	PANEL 4GR COPPER COLOUR	PANNEAU 4GR COULEUR CUIVRE	4GR TAFEL FARBE KUPFER
4	75269442	PANN.POST.SUP.JUN DIVINA OTTONATO	PANEL JUN BRASS COLOUR	PANNEAU JUN COULEUR LAITON	JUN TAFEL FARBE MESSING
4	75269452	PANN.POST.SUP.1GR DIVINA OTTONATO	PANEL 1GR BRASS COLOUR	PANNEAU 1GR COULEUR LAITON	1GR TAFEL FARBE MESSING
4	75269462	PANN.POST.SUP.2GR DIVINA OTTONATO	PANEL 2GR BRASS COLOUR	PANNEAU 2GR COULEUR LAITON	2GR TAFEL FARBE MESSING
4	75269472	PANN.POST.SUP.3GR DIVINA OTTONATO	PANEL 3GR BRASS COLOUR	PANNEAU 3GR COULEUR LAITON	3GR TAFEL FARBE MESSING
4	75269482	PANN.POST.SUP.4GR DIVINA OTTONATO	PANEL 4GR BRASS COLOUR	PANNEAU 4GR COULEUR LAITON	4GR TAFEL FARBE MESSING
5	21162066	PLEXIGLASS DX-SX DIVINA ORO	PLEXIGLAS LEFT-RIGHT 3GR BRASS COLOR	PLEXIGLASS DROIT/GOUCHE DIVINA	PLEXIGLASS DX-SX DIVINA GOLD
6	21162067	PLEXIGLASS POST. JUN DIVINA ORO	PLEXIGLAS BACK PANEL JUN BRASS COLOR	PLEXIGLASS POST.JUN LAITON	HINTERES PLEXIGLASS JUN GOLD
6	21162068	PLEXIGLASS POST. 1GR DIVINA ORO	PLEXIGLAS BACK PANEL 1GR BRASS COLOR	PLEXIGLASS POST.1GR LAITON	HINTERES PLEXIGLASS 1GR GOLD
6	21162069	PLEXIGLASS POST. 2GR DIVINA ORO	PLEXIGLAS BACK PANEL 2GR BRASS COLOR	PLEXIGLASS POST.2GR LAITON	HINTERES PLEXIGLASS 2GR GOLD
6	21162070	PLEXIGLASS POST. 3GR DIVINA ORO	PLEXIGLAS BACK PANEL 3GR BRASS COLOR	PLEXIGLASS POST.3GR LAITON	HINTERES PLEXIGLASS 3GR GOLD
6	21162071	PLEXIGLASS POST. 4GR DIVINA ORO	PLEXIGLAS BACK PANEL 4GR BRASS COLOR	PLEXIGLASS POST.4GR LAITON	HINTERES PLEXIGLASS 4GR GOLD
7	76100030	GRIGLIA SUP.JUN DIVINA INOX LUCIDO	TOP GRATE JUN S.STEEL	GRILLE SUP. JUN INOX	OBERGITTER JUN
7	76100031	GRIGLIA SUP.1GR DIVINA INOX LUCIDO	TOP GRATE 1GR S.STEEL	GRILLE SUP. 1GR INOX	OBERGITTER 1GR
7	76100032	GRIGLIA SUP.2GR DIVINA INOX LUCIDO	TOP GRATE 2GR S.STEEL	GRILLE SUP. 2GR INOX	OBERGITTER 2GR
7	76100033	GRIGLIA SUP.3GR DIVINA INOX LUCIDO	TOP GRATE 3GR. S.STEEL	GRILLE SUP. 3GR INOX	OBERGITTER 3GR
7	76100034	GRIGLIA SUP.4GR DIVINA INOX LUCIDO	TOP GRATE 4GR S.STEEL	GRILLE SUP. 3GR INOX	OBERGITTER 4GR
8	77607003	STAFFA SUPERIORE FIANCO	TOP SIDE BRACKET	PLATINE SUPERIEURE COTE	OBERER BUECKEL SEITENBLLENDE
9	77607004	STAFFA INFERIORE FIANCO	BOTTOM SIDE BRACKET	PLATINE INFERIEURE COTE	UNTERER BUEGEL SEITENBLLENDE
10	73130080	FIANCO DX DIVINA RAMATO/OTTONATO	RIGHT SIDE COPPER/BRASS COLOUR	COTE DROIT COULEUR CUIVRE/LAITON	RECHTE SEITE FARBE KUPFER/MESSING
11	23100	POMELLO FISSAGGIO FIANCHETTO FE/Z	SIDE FIXING SCREW FE/Z	POMMEAU DE FIXAGE FE/Z	BEFESTIGUNGSGRIFF FE/Z
12	21109	MANOMETRO QUADRO DOPPIA SCALA	SQUARE GAUGE DOUBLE L. SCALE	MANOMETRE TABLEAU DOUBLE ECHELLE L.	MANOMETERTAFEL DOPPELSKAL
13	78150012	SUPPORTO MANOMETRO JUN DIVINA	SUPPORT PRESSURE-GAUGE JUN	SUPPORT MANOMETRE JUN	MANOMETERHALTER-AUSGABE JUN
14	78150013	SUPPORTO MANOMETRO 1>4GR	SUPPORT PRESSURE-GAUGE	SUPPORT MANOMETRE	MANOMETERHALTER- AUSGABE
15	77692210	PROTEZIONE PULSANTIERE JUN DIVINA	JUN PUSH BUTTON PANEL GUAR	PROTECTION CLAVIERS JUN DIVINA	SCHUTZ BEDIENBLLENDE JUN
16	77692211	PROTEZIONE PULSANTIERE 1GR DIVINA	PUSH BUTTON PANEL GUARD 1 GR	PROTECTION CLAVIERS 1GR DIVINA	SCHUTZ BEDIENBLLENDE 1GR
16	77692212	PROTEZIONE PULSANTIERE 2GR DIVINA	PUSH BUTTON PANEL GUARD 2GR	PROTECTION CLAVIERS 2GR DIVINA	SCHUTZ BEDIENBLLENDE 2GR
16	77692213	PROTEZIONE PULSANTIERE 3GR DIVINA	PUSH BUTTON PANEL GUARD 3GR	PROTECTION CLAVIERS 3GR DIVINA	SCHUTZ BEDIENBLLENDE 3GR
16	77692214	PROTEZIONE PULSANTIERE 4GR DIVINA	PUSH BUTTON PANEL GUARD 4GR	PROTECTION CLAVIERS 4GR DIVINA	SCHUTZ BEDIENBLLENDE 4GR



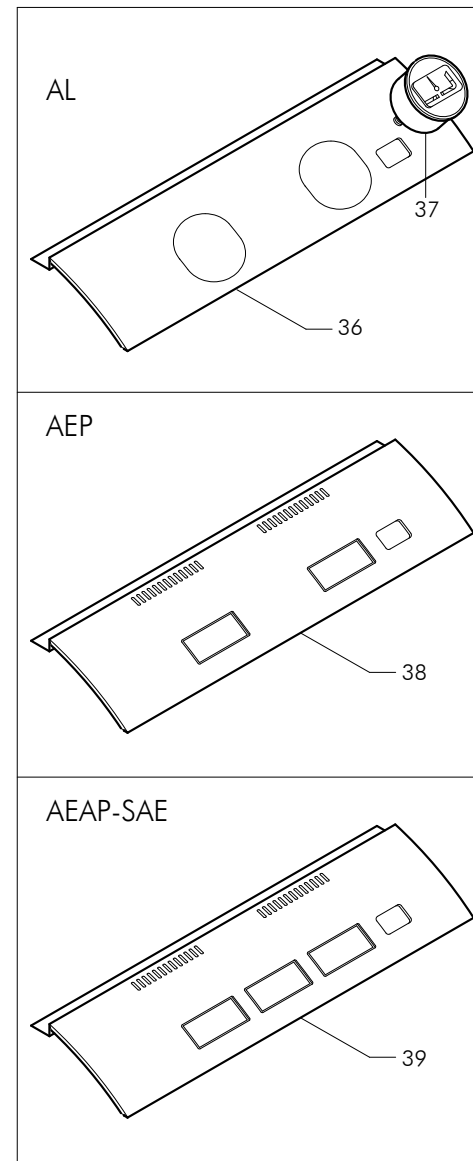
Pos	Cod.	Denominazione - IT -	Denomination - GB -	Denomination - FR -	Denomination - DE -
17	15264	MANOPOLA RUBINETTO H2O	WATER TAP KNOB	POIGNEE ROBINET EAU	WASSERHAHNGRIFF
18	15265	MANOPOLA RUBINETTO VAPORE	STEAM TAP KNOB	POIGNEE ROBINET VAPEUR	DAMPFHAHNGRIFF
19	70690141	FRONT.RUB.JUN DIVINA RAMATO	FRONT PANEL JUN COPPER COLOUR	PANNEAU JUN COULEUR CUIVRE	JUN FARBE KUPFER
19	70690161	FRONT.RUB.1GR DIVINA RAMATO	FRONT PANEL 1GR COPPER COLOUR	PANNEAU 1GR COULEUR CUIVRE	1GR STIRNTAFEL FARBE KUPFER
19	70690181	FRONT.RUB.2GR DIVINA RAMATO	FRONT PANEL 2GR COPPER COLOUR	PANNEAU 2GR COULEUR CUIVRE	2GR STIRNTAFEL FARBE KUPFER
19	70690201	FRONT.RUB.3GR DIVINA RAMATO	FRONT PANEL 3GR COPPER COLOUR	PANNEAU 3GR COULEUR CUIVRE	3GR STIRNTAFEL FARBE KUPFER
19	70690221	FRONT.RUB.4GR DIVINA RAMATO	FRONT PANEL 4GR COPPER COLOUR	PANNEAU 4GR COULEUR CUIVRE	4GR.THE FARBE KUPFER
20	70690171	FRONT.RUB.1GR THE DIVINA RAMATO	FRONT PANEL 1GR COPPER COLOUR	FACE ROBINET 1GR THE COULEUR CUIVRE	FRONTTEIL HAHN 1GR.THE KUPFERFARBE
20	70690191	FRONT.RUB.2GR THE DIVINA RAMATO	FRONT PANEL 2GR. TAP COPPER COLOUR	FACE ROBINET 2GR THE COULEUR CUIVRE	FRONTTEIL HAHN 2GR THE FARBE KUPFER
20	70690211	FRONT.RUB.3GR THE DIVINA RAMATO	FRONT PANEL 3GR COPPER COLOUR	PANNEAU 3GR COULEUR CUIVRE	3GR STIRNTAFEL FARBE KUPFER
20	70690231	FRONT.RUB.4GR THE DIVINA RAMATO	FRONT PANEL 4GR TAP COPPER COLOUR	FACE ROBINET 4GR THE COULEUR CUIVRE	FRONTTEIL HAHN 4GR.THE FARBE KUPFER
21	77849020	COPRICALDAIA JUN DIVINA OTTONATO	BRASS COLOUR JUN BOILER-COVER	CACHE-CHAUDIERE JUN COULEUR LAITON	KESSELDECKUNG JUN FARBE MESSING
21	77849021	COPRICALDAIA 1GR DIVINA OTTONATO	BRASS COLOUR 1GR BOILER-COVER	CACHE-CHAUDIERE 1GR COULEUR LAITON	KESSELDECKUNG 1GR FARBE MESSING
21	77849022	COPRICALDAIA 2GR DIVINA OTTONATO	BRASS COLOUR 2GR BOILER-COVER	CACHE-CHAUDIERE 2GR COULEUR LAITON	KESSELDECKUNG 2GR FARBE MESSING
21	77849023	COPRICALDAIA 3GR DIVINA OTTONATO	BRASS COLOUR 3GR BOILER-COVER	CACHE-CHAUDIERE 3GR COULEUR LAITON	KESSELDECKUNG 4GR FARBE MESSING
21	77849024	COPRICALDAIA 4GR DIVINA OTTONATO	BRASS COLOUR 4GR BOILER-COVER	CACHE-CHAUDIERE 4GR COULEUR LAITON	KESSELDECKUNG 4GR FARBE MESSING
22	77849030	COPRICALDAIA JUN DIVINA OTNT CTS	BRASS COLOUR BOILER COVER JUN	COUVRE-CHAUD.JUN COULEUR LAITON CTS	KESSELABDECKUNG JUN FARBE MESSING
22	77849031	COPRICALDAIA 1GR DIVINA OTNT CTS	BRASS COLOUR BOILER COVER 1GR	COUVRE-CHAUD.1GR COULEUR LAITON CTS	KESSELABDECKUNG 1GR MESSINGBESCH.
22	77849032	COPRICALDAIA 2GR DIVINA OTNT CTS	BRASS COLOUR BOILER COVER 2GR	COUVRE-CHAUD.2GR COULEUR LAITON CTS	KESSELABDECKUNG 2GR MESSINGBESCH.
22	77849033	COPRICALDAIA 3GR DIVINA OTNT CTS	BRASS COLOUR BOILER COVER 3GR	COUVRE-CHAUD.3GR COULEUR LAITON CTS	KESSELABDECKUNG 3GR MESSINGBESCH.
22	77849034	COPRICALDAIA 4GR DIVINA OTNT CTS	BRASS COLOUR BOILER COVER 4GR	COUVRE-CHAUD.4GR COULEUR LAITON CTS	KESSELABDECKUNG 4GR MESSINGBESCH.
23	21200	SEGNALIVELLO OVE TUV INCOLORE	LEVEL INDICATOR WINDOW OVE-TUV	INDICATEUR DE NIVEAU OVE-TUV	NIVEAUANZEIGER OVE-TUV
24	76152000	GRIGLIA INF.WN01 INOX LUC.316X201	LOWER GRILL 316X201 - SHINY S.STEEL	GRILLE INF.INOX 316X201	STAHL-UNTERGITTER 316X201
25	76153000	GRIGLIA INF.WN01 INOX LUC.456X201	LOWER GRILL 456X201 SHINY S.STEEL	GRILLE INF.INOX 456X201	STAHL-UNTERGITTER 456X201
26	76154000	GRIGLIA INF.DX WN01 IN/LUC.338.5X201	RIGHT LOWER GRILL -SHINY S.STEEL	GRILLE INF.DROIT INOX 338,5X201	STAHL-UNTER-RECHTEGITTER 338,5X201
26	76155000	GRIGLIA INF.SX WN01 IN/LUC.338.5X201	LEFT LOWER GRILL - SHINY S.STEEL	GRILLE INF.GAUCHE INOX 338,5X201	STAHL-UNTER-LINKEGITTER 338,5X201
27	76156000	GRIGLIA INF.WN01 INOX LUC. 253X201	LOWER GRILL 253X201 - SHINY S.STEEL	GRILLE INF.INOX 253X201	STAHL-UNTERGITTER 253X201
28	76098000	BACINELLA JUN DIVINA INOX LUCIDO	SILV.BRIGHT STEEL JUN TRAY	CUVE JUN INOX BRILLANT	STAHLSCHALE JUN
28	76098001	BACINELLA 1GR DIVINA INOX LUCIDO	SILV.BRIGHT STEEL 1GR TRAY	CUVE 1GR INOX BRILLANT	STAHLSCHALE 1GR
28	76098002	BACINELLA 2GR DIVINA INOX LUCIDO	SILV.BRIGHT STEEL 2GR TRAY	CUVE 2GR INOX BRILLANT	STAHLSCHALE 2GR
28	76098003	BACINELLA 3GR DIVINA INOX LUCIDO	SILV.BRIGHT STEEL 3GR TRAY	CUVE 3GR INOX BRILLANT	STAHLSCHALE 3GR
28	76098004	BACINELLA 4GR DIVINA INOX LUCIDO	SILV.BRIGHT STEEL 4GR TRAY	CUVE 4GR INOX BRILLANT	STAHLSCHALE 4GR
29	77454041	PROF.BAS.ANT.JUN DIVINA RAMATO	COPPER COLOUR BASE PROFILE JUN	PROFIL BASE JUN COULEUR CUIVRE	BASISPROFIL JUN FARBE KUPFER
29	77454051	PROF.BAS.ANT.1GR DIVINA RAMATO	COPPER COLOUR BASE PROFILE 1GR	PROFIL BASE 1GR COULEUR CUIVRE	BASISPROFIL KUPFERFARBE 1GR
29	77454071	PROF.BAS.ANT.2GR DIVINA RAMATO	COPPER COLOUR BASE PROFILE 2GR	PROFIL BASE 2GR COULEUR CUIVRE	BASISPROFIL KUPFERFARBE 2GR
29	77454091	PROF.BAS.ANT.3GR DIVINA RAMATO	COPPER COLOUR BASE PROFILE 3GR	PROFIL BASE 3GR COULEUR CUIVRE	BASISPROFIL KUPFERFARBE 3GR
29	77454111	PROF.BAS.ANT.4GR DIVINA RAMATO	COPPER COLOUR BASE PROFILE 4GR	PROFIL BASE 4GR COULEUR CUIVRE	BASISPROFIL KUPFERFARBE 4GR



Pos	Cod.	Denominazione - IT -	Denomination - GB -	Denomination - FR -	Denomination - DE -
30	77454061	PROF.BAS.ANT.1GR DIVINA GAS RAMATO	COPPER COLOUR BASE PROFILE 1GR GAS	PROFIL BASE 1GR COULEUR CUIVRE GAZ	BASISPROFIL 1GR GAS KUPFERFARBE
30	77454081	PROF.BAS.ANT.2GR DIVINA GAS RAMATO	COPPER COLOUR BASE PROFILE 2GR GAS	PROFIL BASE 2GR GAZ COULEUR CUIVRE	BASISPROFIL KUPFERFARBE 2GR GAS
30	77454101	PROF.BAS.ANT.3GR DIVINA GAS RAMATO	COPPER COLOUR BASE PROFILE 3GR GAS	PROFIL BASE 3GR COULEUR CUIVRE GAZ	BASISPROFIL 3GR KUPFERFARBE GAS
30	77454121	PROF.BAS.ANT.4GR DIVINA GAS RAMATO	COPPER COLOUR BASE STRIP 4GR GAS	PROFIL BASE 4GR GAZ COULEUR CUIVRE	BASISPROFIL 4GR KUPFERFARBE GAS
31	10471	MOLLA FERMA BACINELLA DV	DIVINA TRAY STOP SPRING	RESSORT ARRET BAC	FEDER F. BECKENBEFESTIGUNG
32	23420	VITE TE OTTONE M6X12 NICHELATA	M6X12NICKEL-PLATED BRASS HEX.HEAD SCREW	VIS TH LAITON M6X12 NICKEL	SECHSKANTSCHRAUBE AUS MESSING M6X12
33	15486002	TAPPO FORO INTERRUOTORE	SWITCH HOLE PLUG	CAPUCHON TROU INTERRUPT.	ABDECKUNG SCHALTERLOCH
34	15318	PIEDINO REGOLABILE INOX/SAT H55/69	ADJUSTABLE FOOT H55/69	PIED REGLABLE H55/69	REGELBARER FUSS H55/69
34	15321	PIEDINO REGOLABILE INOX/SAT H88/102	ADJUSTABLE FOOT H88/102	PIED REGLABLE H88/102	REGELBARER FUSS H88/102
35	77742	GUIDA DX BACINELLA TELAIO DIVINA	GUIDE FOR TRAY	GUIDAGE CUVE	FUHRUNG SCHALE
36	70690001	FRONTONE MAN.AL/1 DIVINA OTTONATO	FRONT PANEL AL/1 BRASS COLOUR	PANNEAU AL/2 COULEUR LAITON	STIRNTAFEL AL/1 FARBE MESSING
36	70690011	FRONTONE MAN.AL/2 DIVINA OTTONATO	FRONT PANEL AL/2 BRASS COLOUR	PANNEAU AL/2 COULEUR LAITON	STIRNTAFEL AL/2 FARBE MESSING
36	70690021	FRONTONE MAN.AL/3 DIVINA OTTONATO	FRONT PANEL AL/3 BRASS COLOUR	PANNEAU AL/3 COULEUR LAITON	STIRNTAFEL AL/3 FARBE MESSING
36	70690031	FRONTONE MAN.AL/4 DIVINA OTTONATO	FRONT PANEL AL/4 BRASS COLOUR	PANNEAU AL/4 COULEUR LAITON	STIRNTAFEL AL/4 FARBE MESSING
37	21111	MANOMETRO QUADRO 3 ATM MOD B	SQUARE PRESSURE GAUGE 3 ATM "B"	MANOMETRE 3 ATM "B"	MANOMETER 3 ATM "B"
38	70690041	FRONTONE MAN.AEP-SAE/J DIVINA OTTONATO	FRONT PANEL AEP/JUN BRASS COLOUR	PANNEAU AEP/JUN COULEUR LAITON	STIRNTAFEL JUN FARBE MESSING
38	70690051	FRONTONE MAN.AEP/1 DIVINA OTTONATO	FRONT PANEL AEP/1 BRASS COLOUR	PANNEAU AEP/1 COULEUR LAITON	STIRNTAFEL AEP/1 FARBE MESSING
38	70690061	FRONTONE MAN.AEP/2 DIVINA OTTONATO	FRONT PANEL AEP/2 BRASS COLOUR	PANNEAU AEP/2 COULEUR LAITON	STIRNTAFEL AEP/2 FARBE MESSING
38	70690071	FRONTONE MAN.AEP/3 DIVINA OTTONATO	FRONT PANEL AEP/3 BRASS COLOUR	PANNEAU AEP/3 COULEUR LAITON	STIRNTAFEL AEP/3 FARBE MESSING
38	70690081	FRONTONE MAN.AEP/4 DIVINA OTTONATO	FRONT PANEL AEP/4 BRASS COLOUR	PANNEAU AEP/4 COULEUR LAITON	STIRNTAFEL AEP/4 FARBE MESSING
39	70690091	FRONTONE MAN.SAE/J DIVINA OTTONATO	FRONT PANEL SAE/JUN BRASS COLOUR	PANNEAU SAE/JUN COULEUR LAITON	STIRNTAFEL JUN FARBE MESSING
39	70690101	FRONTONE MAN.SAE/1 DIVINA OTTONATO	FRONT PANEL SAE/1 BRASS COLOUR	PANNEAU SAE/1 COULEUR LAITON	STIRNTAFEL SAE/1 FARBE MESSING
39	70690111	FRONTONE MAN.SAE/2 DIVINA OTTONATO	FRONT PANEL SAE/2 BRASS COLOUR	PANNEAU SAE/2 COULEUR LAITON	STIRNTAFEL SAE/2 FARBE MESSING
39	70690121	FRONTONE MAN.SAE/3 DIVINA OTTONATO	FRONT PANEL SAE/3 BRASS COLOUR	PANNEAU SAE/3 COULEUR LAITON	STIRNTAFEL SAE/3 FARBE MESSING
39	70690131	FRONTONE MAN.SAE/4 DIVINA OTTONATO	FRONT PANEL SAE/4 BRASS COLOUR	PANNEAU SAE/4 COULEUR LAITON	STIRNTAFEL SAE/4 FARBE MESSING
40	15373070	TAPPO ABS CROMATO FORO GAS	CHROMED KEY	BOUCHON CHROME COUVRE-TROU DU GAZ	CHROM TASTE

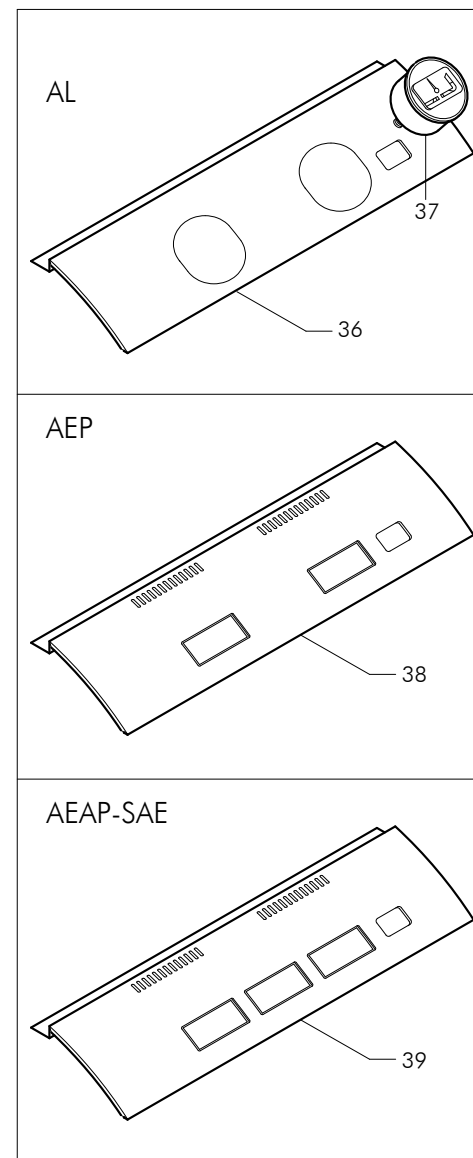
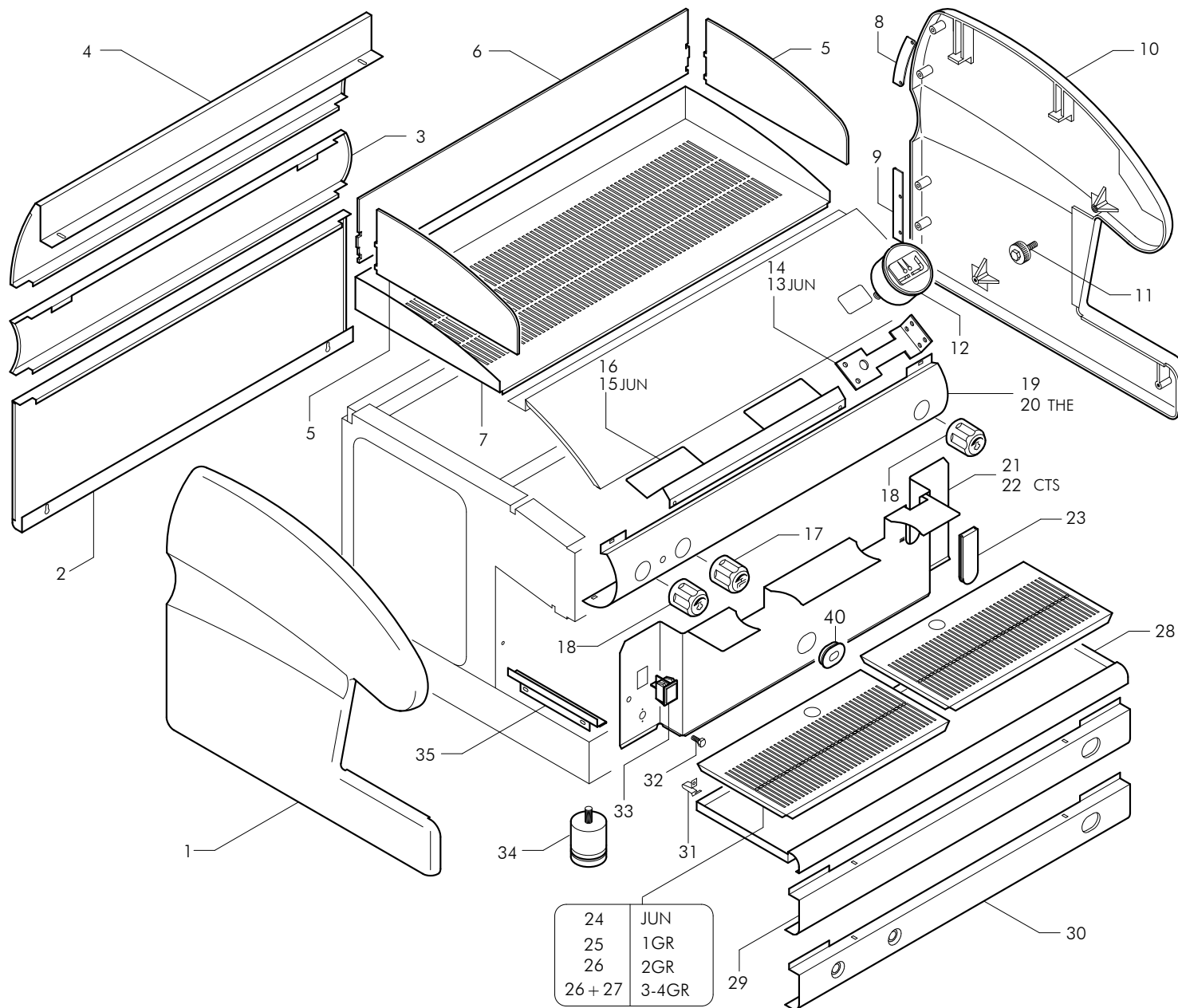


24	JUN
25	1GR
26	2GR
26 + 27	3-4GR

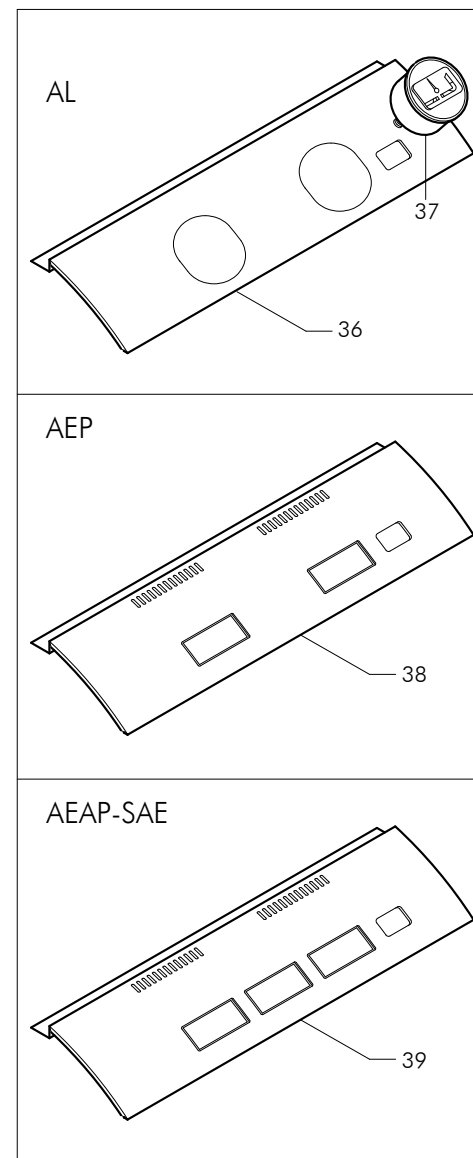
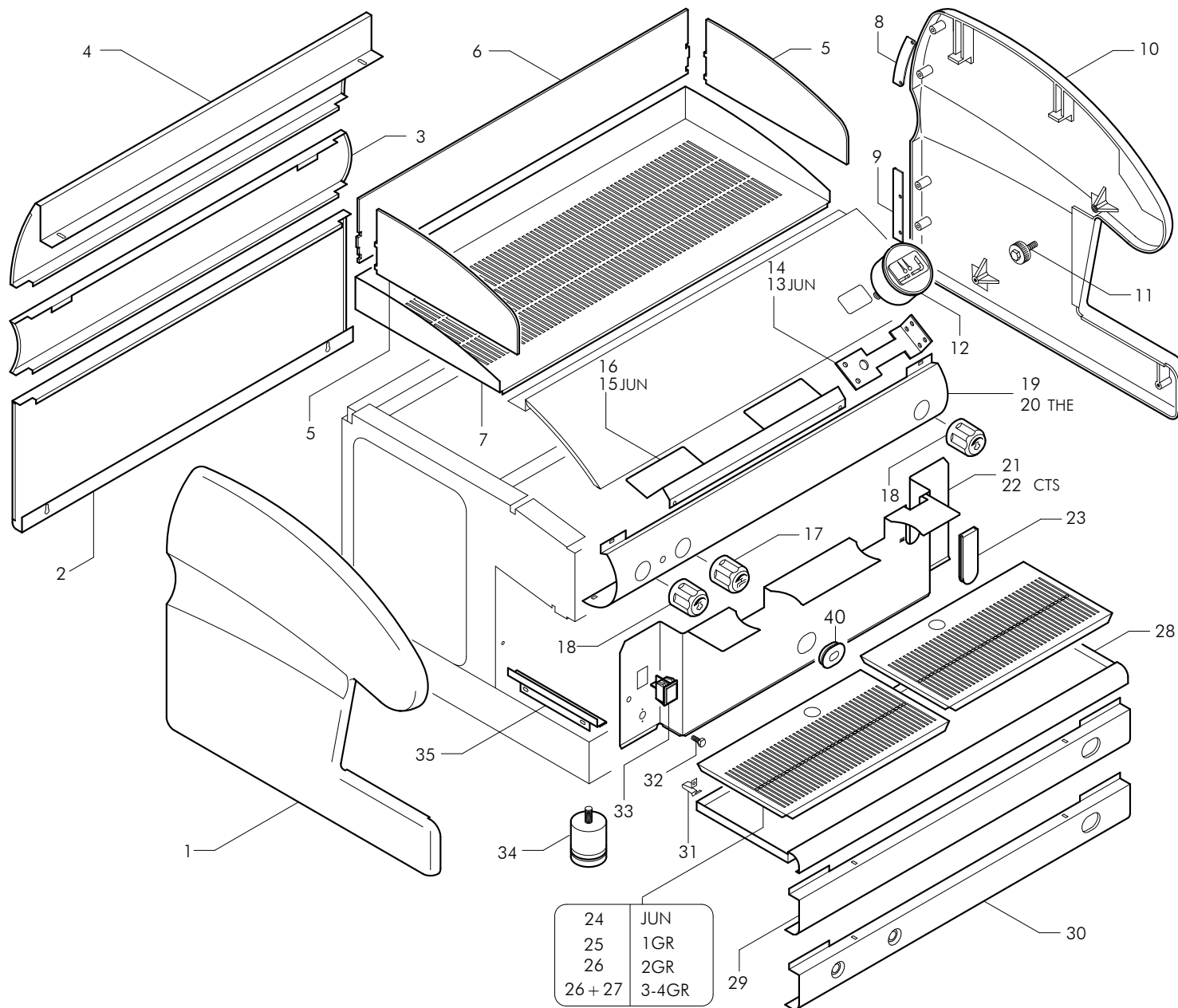


Pos	Cod.	Denominazione - IT -	Denomination - GB -	Denomination - FR -	Denomination - DE -
1	73130083	FIANCO SX DIVINA CELESTE	LEFT SIDE DIVINA LIGHT BLUE	COTE GAUCHE DIVINA BLEU	LINKE SEITE FARBE HIMMELBLAU
2	75269340	PANN.POST.INF.JUN DIVINA CELESTE	BOTT.REAR PANEL JUN LIGHT-BLUE	PANN.ARR.BAS. JUN BLEU	HINTERE UNTERE TAFEL JUN HIMMELBLAU
2	75269350	PANN.POST.INF.1GR DIVINA CELESTE	PANEL 1GR LIGHT-BLUE	PANNEAU 1 GR BLEU	1GR TAFEL HIMMELBLAU
2	75269360	PANN.POST.INF.2GR DIVINA CELESTE	PANEL 2GR LIGHT-BLUE	PANNEAU 2GR BLEU	2GR TAFEL HIMMELBLAU
2	75269370	PANN.POST.INF.3GR DIVINA CELESTE	PANEL 3GR LIGHT-BLUE	PANNEAU 3GR BLEU	3GR TAFEL HIMMELBLAU
2	75269380	PANN.POST.INF.4GR DIVINA CELESTE	PANEL 4GR LIGHT-BLUE	PANNEAU 4GR BLEU	4GR TAFEL HIMMELBLAU
3	75269390	PANN.POST.CEN.JUN DIVINA NERO S/O	CENTRAL PANEL JUN BLACK	PANNEAU CENTRAL JUN NOIR	HINTERE MITTLERE TAFEL JUN SCHWARZ
3	75269400	PANN.POST.CEN.1GR DIVINA NERO S/O	PANEL 1GR BLACK	PANNEAU 1GR NOIR	1GR TAFEL SCHWARZ
3	75269410	PANN.POST.CEN.2GR DIVINA NERO S/O	PANEL 2GR BLACK	PANNEAU 2GR NOIR	2GR TAFEL SCHWARZ
3	75269420	PANN.POST.CEN.3GR DIVINA NERO S/O	PANEL 3GR BLACK	PANNEAU 3GR NOIR	3GR TAFEL SCHWARZ
3	75269430	PANN.POST.CEN.4GR DIVINA NERO S/O	PANEL 4GR BLACK	PANNEAU 4GR NOIR	4GR TAFEL SCHWARZ
4	75269440	PANN.POST.SUP.JUN DIVINA CELESTE	TOR REAR PANEL JUN LIGHT-BLUE	PANN.ARR.SUP. JUN BLEU	HINTERE OBERE TAFEL JUN HIMMELBLAU
4	75269450	PANN.POST.SUP.1GR DIVINA CELESTE	PANEL LIGHT-BLUE	PANNEAU 1GR BLEU	1GR TAFEL HIMMELBLAU
4	75269460	PANN.POST.SUP.2GR DIVINA CELESTE	PANEL 2GR LIGHT-BLUE	PANNEAU 2GR BLEU	2GR TAFEL HIMMELBLAU
4	75269470	PANN.POST.SUP.3GR DIVINA CELESTE	PANEL 3GR LIGHT-BLUE	PANNEAU 3GR BLEU	3GR TAFEL HIMMELBLAU
4	75269480	PANN.POST.SUP.4GR DIVINA CELESTE	PANEL 4GR LIGHT-BLUE	PANNEAU 4GR BLEU	4GR TAFEL HIMMELBLAU
5	21162060	PLEXIGLASS DX-SX DIVINA NERO	RIGHT-LEFT PANEL PLEXIGLAS DIVINA	PLEXIGLASS DROIT/GOUCHE DIVINA NOIR	LINKE/RECHTE PLEXIGLASS DIVINA
6	21162061	PLEXIGLASS POST. JUN DIVINA NERO	BACK PANEL PLEXIGLAS JUN BLACK	PLEXIGLASS POST.JUN NOIR	HINTERE PLEXIGLASS JUN SCHWARZ
6	21162062	PLEXIGLASS POST. 1GR DIVINA NERO	BACK PANEL PLEXIGLAS 1GR BLACK	PLEXIGLASS POST.1GR NOIR	HINTERE PLEXIGLASS 1GR SCHWARZ
6	21162063	PLEXIGLASS POST. 2GR DIVINA NERO	BACK PANEL PLEXIGLAS 2GR BLACK	PLEXIGLASS POST.2GR NOIR	HINTERE PLEXIGLASS 2GR SCHWARZ
6	21162064	PLEXIGLASS POST. 3GR DIVINA NERO	BACK PANEL PLEXIGLAS 3GR BLACK	PLEXIGLASS POST.3GR NOIR	HINTERE PLEXIGLASS 3GR SCHWARZ
6	21162065	PLEXIGLASS POST. 4GR DIVINA NERO	BACK PANEL PLEXIGLAS 4GR BLACK	PLEXIGLASS POST.4GR NOIR	HINTERE PLEXIGLASS 4GR SCHWARZ
7	76100030	GRIGLIA SUP.JUN DIVINA INOX LUCIDO	TOP GRATE JUN S.STEEL	GRILLE SUP. JUN INOX	OBERGITTER JUN
7	76100031	GRIGLIA SUP.1GR DIVINA INOX LUCIDO	TOP GRATE 1GR S.STEEL	GRILLE SUP. 1GR INOX	OBERGITTER 1GR
7	76100032	GRIGLIA SUP.2GR DIVINA INOX LUCIDO	TOP GRATE 2GR S.STEEL	GRILLE SUP. 2GR INOX	OBERGITTER 2GR
7	76100033	GRIGLIA SUP.3GR DIVINA INOX LUCIDO	TOP GRATE 3GR. S.STEEL	GRILLE SUP. 3GR INOX	OBERGITTER 3GR
7	76100034	GRIGLIA SUP.4GR DIVINA INOX LUCIDO	TOP GRATE 4GR S.STEEL	GRILLE SUP. 3GR INOX	OBERGITTER 4GR
8	77607003	STAFFA SUPERIORE FIANCO	TOP SIDE BRACKET	PLATINE SUPERIEURE COTE	OBERER BUECKEL SEITENBLLENDE
9	77607004	STAFFA INFERIORE FIANCO	BOTTOM SIDE BRACKET	PLATINE INFERIEURE COTE	UNTERER BUEGEL SEITENBLLENDE
10	73130082	FIANCO DX DIVINA CELESTE	RIGHT SIDE BLUE COLOUR	COTE DROIT COULEUR BLEU	RECHTE SEITE HIMMELBLAU
11	23100	POMELLO FISSAGGIO FIANCHETTO FE/Z	SIDE FIXING SCREW FE/Z	POMMEAU DE FIXAGE FE/Z	BEFESTIGUNGSGRIFF FE/Z
12	21109	MANOMETRO QUADRO DOPPIA SCALA	SQUARE GAUGE DOUBLE L. SCALE	MANOMETRE TABLEAU DOUBLE ECHELLE L.	MANOMETERTAFEL DOPPELSKAL
13	78150012	SUPPORTO MANOMETRO JUN DIVINA	SUPPORT PRESSURE-GAUGE JUN	SUPPORT MANOMETRE JUN	MANOMETERHALTER-AUSGABE JUN
14	78150013	SUPPORTO MANOMETRO 1>4GR	SUPPORT PRESSURE-GAUGE	SUPPORT MANOMETRE	MANOMETERHALTER- AUSGABE
15	77692210	PROTEZIONE PULSANTIERE JUN DIVINA	JUN PUSH BUTTON PANEL GUAR	PROTECTION CLAVIERS JUN DIVINA	SCHUTZ BEDIENBLLENDE JUN
16	77692211	PROTEZIONE PULSANTIERE 1GR DIVINA	PUSH BUTTON PANEL GUARD 1 GR	PROTECTION CLAVIERS 1GR DIVINA	SCHUTZ BEDIENBLLENDE 1GR
16	77692212	PROTEZIONE PULSANTIERE 2GR DIVINA	PUSH BUTTON PANEL GUARD 2GR	PROTECTION CLAVIERS 2GR DIVINA	SCHUTZ BEDIENBLLENDE 2GR
16	77692213	PROTEZIONE PULSANTIERE 3GR DIVINA	PUSH BUTTON PANEL GUARD 3GR	PROTECTION CLAVIERS 3GR DIVINA	SCHUTZ BEDIENBLLENDE 3GR
16	77692214	PROTEZIONE PULSANTIERE 4GR DIVINA	PUSH BUTTON PANEL GUARD 4GR	PROTECTION CLAVIERS 4GR DIVINA	SCHUTZ BEDIENBLLENDE 4GR

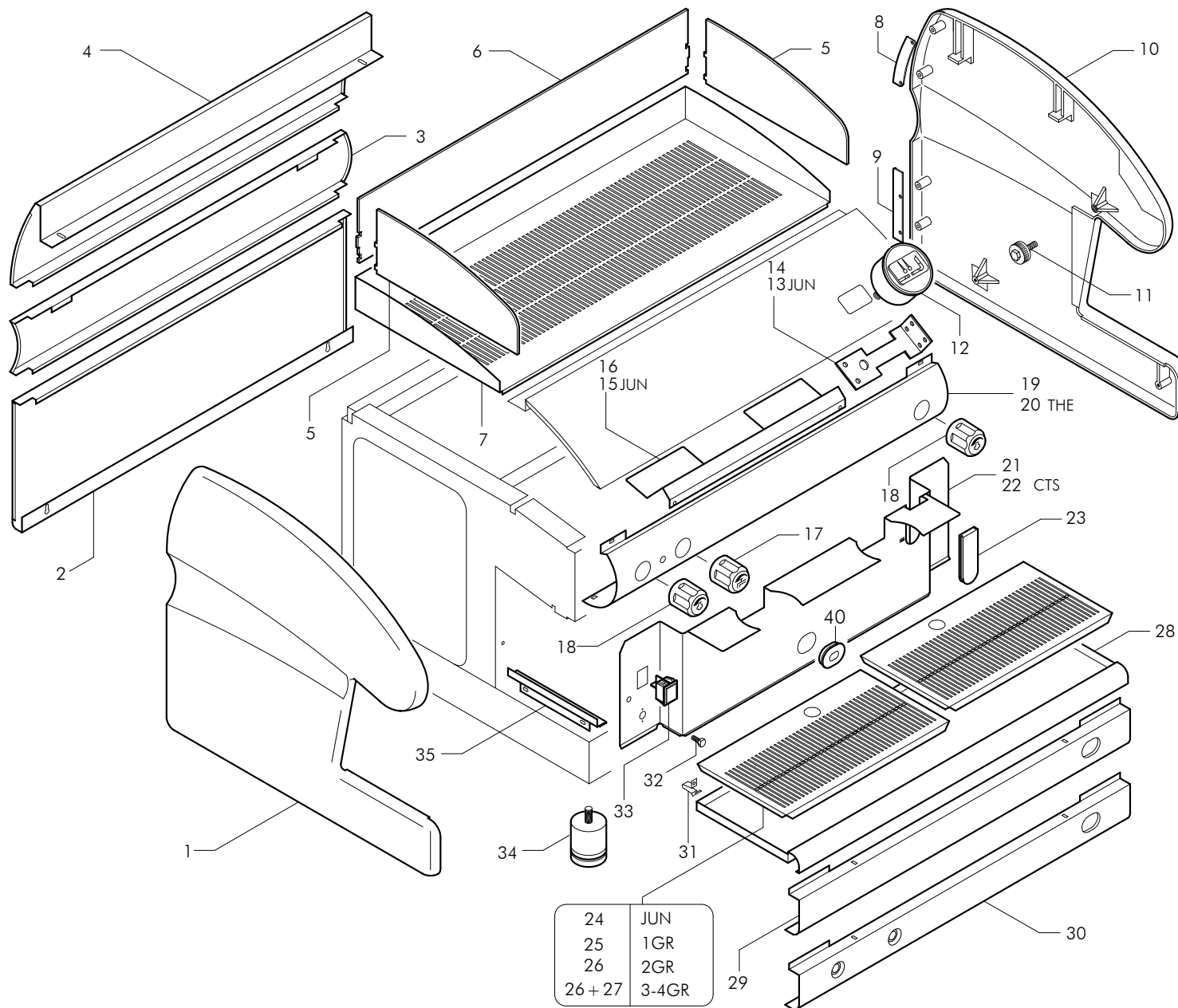




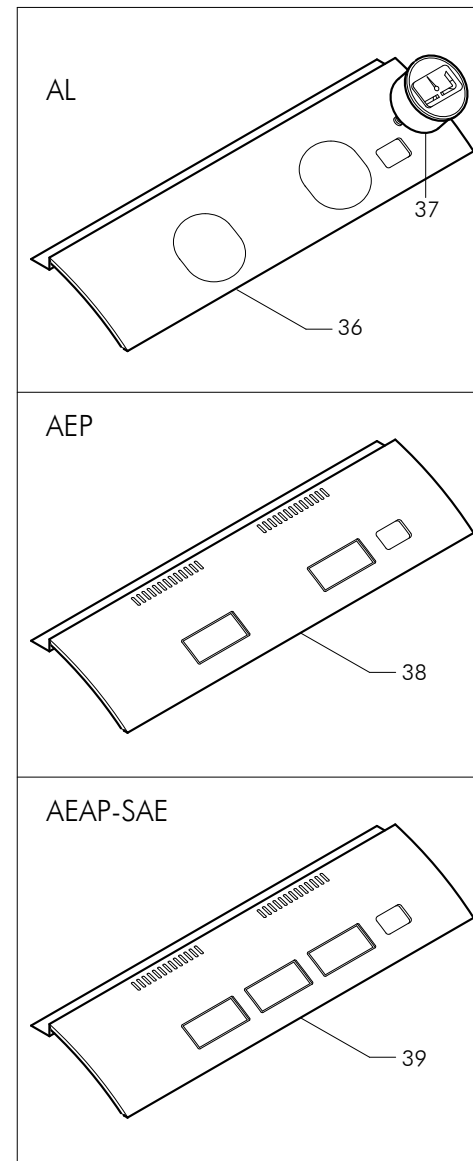
Pos	Cod.	Denominazione - IT -	Denomination - GB -	Denomination - FR -	Denomination - DE -
17	15264	MANOPOLA RUBINETTO H2O	WATER TAP KNOB	POIGNEE ROBINET EAU	WASSERHAHNGRIFF
18	15265	MANOPOLA RUBINETTO VAPORE	STEAM TAP KNOB	POIGNEE ROBINET VAPEUR	DAMPFHAHNGRIFF
19	70690140	FRONT.RUB.JUN DIVINA NERO S/OPACO	FRONT PANEL JUN BLACK	PANNEAU JUN NOIR	HAHNSTIRNTAFEL JUN SCHWARZ
19	70690160	FRONT.RUB.1GR DIVINA NERO S/OPACO	FRONT PANEL 1GR BLACK	PANNEAU 1GR NOIR	1GR STIRNTAFEL SCHWARZ
19	70690180	FRONT.RUB.2GR DIVINA NERO S/OPACO	FRONT PANEL 2GR BLACK	PANNEAU 2GR NOIR	2GR STIRNTAFEL SCHWARZ
19	70690200	FRONT.RUB.3GR DIVINA NERO S/OPACO	FRONT PANEL 3GR BLACK	PANNEAU 3GR NOIR	3GR STIRNTAFEL SCHWARZ
19	70690220	FRONT.RUB.4GR DIVINA NERO S/OPACO	FRONT PANEL 4GR BLACK	PANNEAU 4GR NOIR	4GR STIRNTAFEL SCHWARZ
20	70690170	FRONT.RUB.1GR THE DIVINA NERO S/OPA	FRONT PAN.1 TAP UNIT BLACK S/OPAQUE	FACE ROBIN.1GR THE NOIR SEMI-MAT	FRONTTEIL HAHN 1GR.THE SCHWARZ HALB
20	70690190	FRONT.RUB.2GR THE DIVINA NERO S/OPA	FRONT PAN.2 TAP UNIT BLACK S/OPAQUE	FACE ROBIN.2GR THE NOIR SEMI-MAT	FRONTTEIL HAHN 2GR.THE SCHWARZ HALB
20	70690210	FRONT.RUB.3GR THE DIVINA NERO S/OPA	FRONT PANEL 3GR BLACK	PANNEAU 3GR NOIR	3GR STIRNTAFEL SCHWARZ
20	70690230	FRONT.RUB.4GR THE DIVINA NERO S/OPA	FRONT PAN.4 TAP UNIT BLACK S/OPAQUE	FACE ROBIN.4GR THE NOIR SEMI-MAT	FRONTTEIL HAHN 4GR.THE SCHWARZ HALB
21	77849015	COPRICALDAIA JUN DIVINA INOX LUCIDO	SILV.BRIGHT STEEL JUN BOILER-COVER	CACHE-CHAUDIERE JUN INOX BRILLANT	KESSELDECKUNG JUN STAHL
21	77849016	COPRICALDAIA 1GR DIVINA INOX LUCIDO	SILV.BRIGHT STEEL 1GR BOILER-COVER	CACHE-CHAUDIERE 1GR INOX BRILLANT	STAHL-KESSELDECKUNG 1GR
21	77849017	COPRICALDAIA 2GR DIVINA INOX LUCIDO	SILV.BRIGHT STEEL 2GR BOILER-COVER	CACHE-CHAUDIERE 2GR INOX BRILLANT	STAHL-KESSELDECKUNG 2GR
21	77849018	COPRICALDAIA 3GR DIVINA INOX LUCIDO	SILV.BRIGHT STEEL 3GR BOILER-COVER	CACHE-CHAUDIERE 3GR INOX BRILLANT	STAHL-KESSELDECKUNG 3GR
21	77849019	COPRICALDAIA 4GR DIVINA INOX LUCIDO	SILV.BRIGHT STEEL 4GR BOILER-COVER	CACHE-CHAUDIERE 4GR INOX BRILLANT	STAHL-KESSELDECKUNG 4GR
22	77849025	COPRICALDAIA JUN DIVINA INOX/L CTS	STAINLESS STEEL/L JUN BOILER COVER	COUVRE-CHAUDIERE JUN INOX/L CTS	KESSELABDECKUNG JUN EDELSTAHL/L
22	77849026	COPRICALDAIA 1GR DIVINA INOX/L CTS	S/S BOILER COVER 1GR CTS	COUVRE-CHAUDIERE 1GR INOX/L CTS	KESSELABDECKUNG 1GR EDELSTAHL/L
22	77849027	COPRICALDAIA 2GR DIVINA INOX/L CTS	S/S BOILER COVER 2GR CTS	COUVRE-CHAUDIERE 2GR INOX/L CTS	KESSELABDECKUNG 2GR EDELSTAHL/L
22	77849028	COPRICALDAIA 3GR DIVINA INOX/L CTS	S/S BOILER COVER 3GR CTS	COUVRE-CHAUDIERE 3GR INOX/L CTS	KESSELABDECKUNG 3GR EDELSTAHL/L
22	77849029	COPRICALDAIA 4GR DIVINA INOX/L CTS	S/S BOILER COVER 4GR CTS	COUVRE-CHAUDIERE 4GR INOX/L CTS	KESSELABDECKUNG 4GR EDELSTAHL/L
23	21200	SEGNALIVELLO OVE TUV INCOLORE	LEVEL INDICATOR WINDOW OVE-TUV	INDICATEUR DE NIVEAU OVE-TUV	NIVEAUANZEIGER OVE-TUV
24	76152000	GRIGLIA INF.WN01 INOX LUC.316X201	LOWER GRILL 316X201 - SHINY S.STEEL	GRILLE INF.INOX 316X201	STAHL-UNTERGITTER 316X201
25	76153000	GRIGLIA INF.WN01 INOX LUC.456X201	LOWER GRILL 456X201 SHINY S.STEEL	GRILLE INF.INOX 456X201	STAHL-UNTERGITTER 456X201
26	76154000	GRIGLIA INF.DX WN01 IN/LUC.338.5X201	RIGHT LOWER GRILL -SHINY S.STEEL	GRILLE INF.DROIT INOX 338,5X201	STAHL-UNTER-RECHTEGITTER 338,5X201
26	76155000	GRIGLIA INF.SX WN01 IN/LUC.338.5X201	LEFT LOWER GRILL - SHINY S.STEEL	GRILLE INF.GAUCHE INOX 338,5X201	STAHL-UNTER-LINKEGITTER 338,5X201
27	76156000	GRIGLIA INF.WN01 INOX LUC. 253X201	LOWER GRILL 253X201 - SHINY S.STEEL	GRILLE INF.INOX 253X201	STAHL-UNTERGITTER 253X201
28	76098000	BACINELLA JUN DIVINA INOX LUCIDO	SILV.BRIGHT STEEL JUN TRAY	CUVE JUN INOX BRILLANT	STAHLSCHALE JUN
28	76098001	BACINELLA 1GR DIVINA INOX LUCIDO	SILV.BRIGHT STEEL 1GR TRAY	CUVE 1GR INOX BRILLANT	STAHLSCHALE 1GR
28	76098002	BACINELLA 2GR DIVINA INOX LUCIDO	SILV.BRIGHT STEEL 2GR TRAY	CUVE 2GR INOX BRILLANT	STAHLSCHALE 2GR
28	76098003	BACINELLA 3GR DIVINA INOX LUCIDO	SILV.BRIGHT STEEL 3GR TRAY	CUVE 3GR INOX BRILLANT	STAHLSCHALE 3GR
28	76098004	BACINELLA 4GR DIVINA INOX LUCIDO	SILV.BRIGHT STEEL 4GR TRAY	CUVE 4GR INOX BRILLANT	STAHLSCHALE 4GR
29	77454040	PROFILO BASAMENTO ANT.JUN DIVINA NERO S/	BLACK BASE PROFILE JUN	PROFIL BASE JUN NOIR	BASISPROFIL HIMMELBLAU JUN
29	77454050	PROF.BAS.ANT.1GR DIVINA NERO S/O	BLACK BASE PROFILE 1GR	PROFIL BASE 1GR NOIR	BASISPROFIL SCHWARZ 1GR
29	77454070	PROF.BAS.ANT.2GR DIVINA NERO S/O	BLACK BASE PROFILE 2GR	PROFIL BASE 2GR NOIR	BASISPROFIL SCHWARZ 2GR
29	77454090	PROF.BAS.ANT.3GR DIVINA NERO S/O	BLACK BASE PROFILE 3GR	PROFIL BASE 3GR NOIR	BASISPROFIL SCHWARZ 3GR
29	77454110	PROF.BAS.ANT.4GR DIVINA NERO S/O	BLACK BASE PROFILE 4GR	PROFIL BASE 4GR NOIR	BASISPROFIL SCHWARZ 4GR



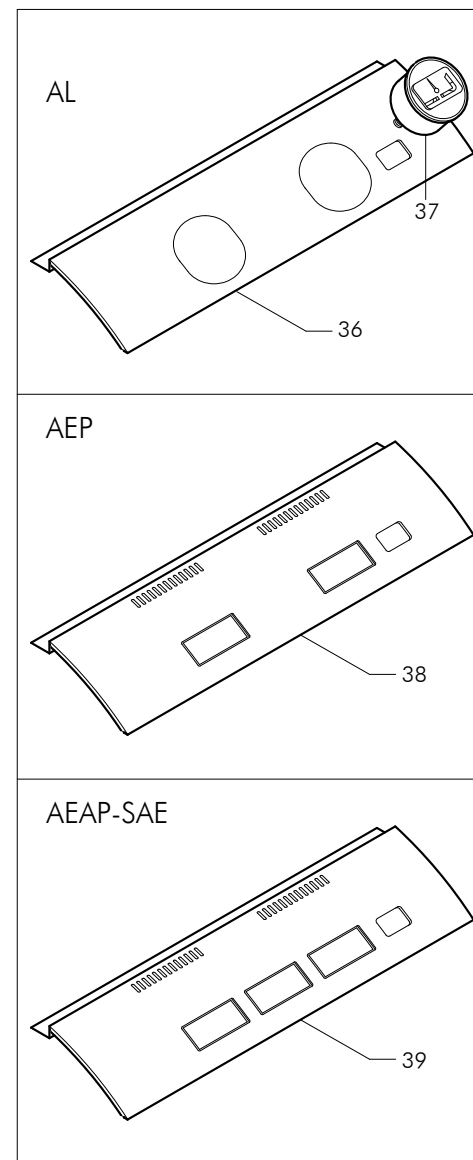
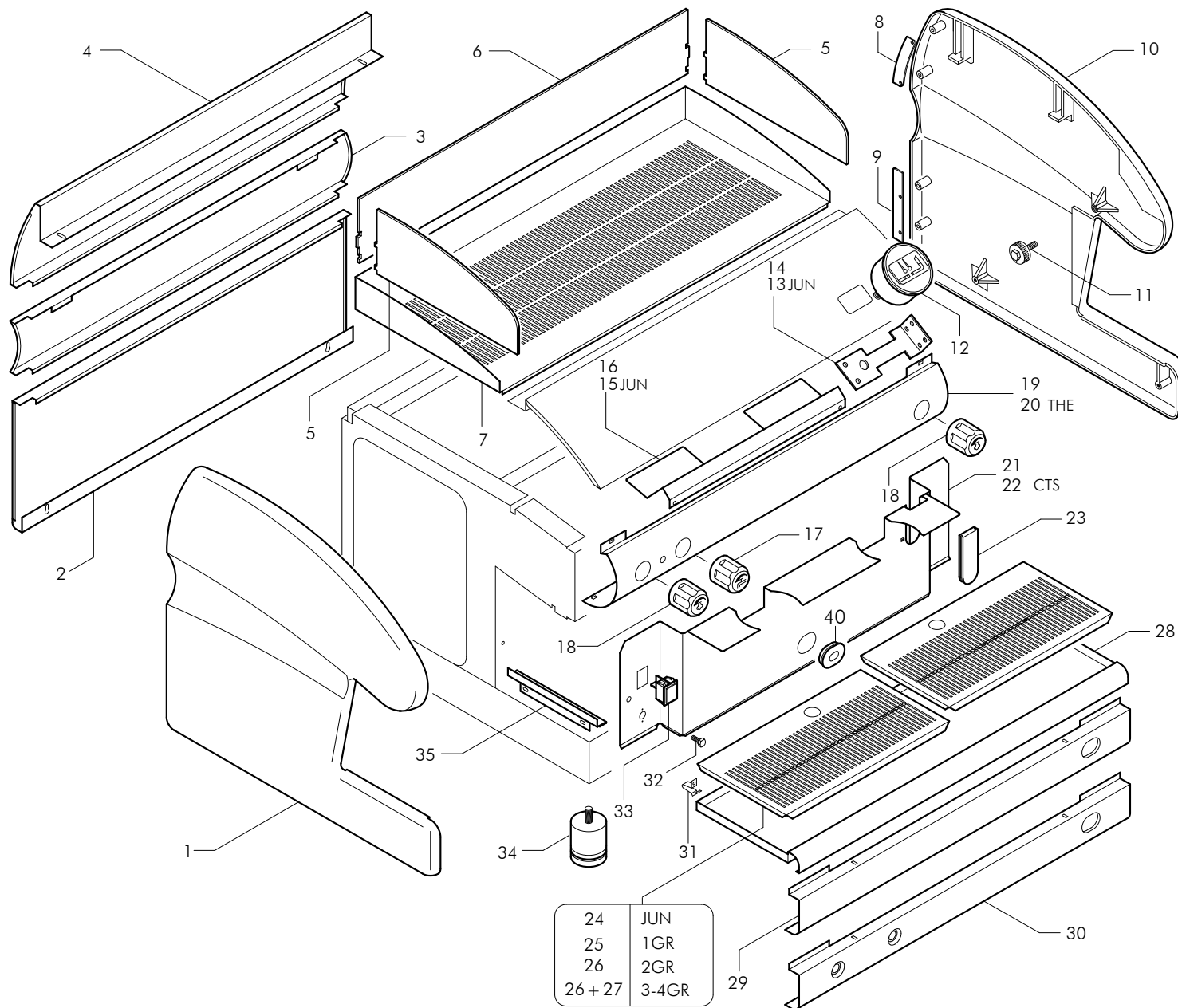
Pos	Cod.	Denominazione - IT -	Denomination - GB -	Denomination - FR -	Denomination - DE -
30	77454060	PROF.BAS.ANT.1GR DIVINA GAS NER-S/O	BLACK BASE PROFILE 1GR GAS	PROFIL BASE 1GR NOIR GAZ	BASISPROFIL 1GR GAS SCHWARZ
30	77454080	PROF.BAS.ANT.2GR DIVINA GAS NER-S/O	BLACK BASE PROFILE 2GR GAS	PROFIL BASE 2GR NOIR GAZ	BASISPROFIL SCHWARZ GAS 2GR
30	77454100	PROF.BAS.ANT.3GR DIVINA GAS NER-S/O	BLACK BASE PROFILE 3GR GAS	PROFIL BASE 3GR NOIR	BASISPROFIL SCHWARZ 3GR GAS
30	77454120	PROF.BAS.ANT.4GR DIVINA GAS NER-S/O	BLACK BASE PROFIL 4GR GAS	PROFIL BASE 4GR GAZ NOIR	BASISPROFIL 4GR GAS SCHWARZ
31	10471	MOLLA FERMA BACINELLA DV	DIVINA TRAY STOP SPRING	RESSORT ARRET BAC	FEDER F. BECKENBEFESTIGUNG
32	23420	VITE TE OTTONE M6X12 NICHELATA	M6X12NICKEL-PLATED BRASS HEX.HEAD SCREW	VIS TH LAITON M6X12 NICKEL	SECHSKANTSCHRAUBE AUS MESSING M6X12
33	15486002	TAPPO FORO INTERRUETTORE	SWITCH HOLE PLUG	CAPUCHON TROU INTERRUPT.	ABDECKUNG SCHALTERLOCH
34	15318	PIEDINO REGOLABILE INOX/SAT H55/69	ADJUSTABLE FOOT H55/69	PIED REGLABLE H55/69	REGELBARER FUSS H55/69
34	15321	PIEDINO REGOLABILE INOX/SAT H88/102	ADJUSTABLE FOOT H88/102	PIED REGLABLE H88/102	REGELBARER FUSS H88/102
35	77742	GUIDA DX BACINELLA TELAIO DIVINA	GUIDE FOR TRAY	GUIDAGE CUVE	FUHRUNG SCHALE
36	70690000	FRONTONE MAN.AL/1 DIVINA INOX	FRONT PANEL AL/1 S.STEEL	PANNEAU AL/1 INOX	STIRNTAFEL AL/1 STAHL
36	70690010	FRONTONE MAN.AL/2 DIVINA INOX	FRONT PANEL AL/2 S.STEEL	PANNEAU AL/2 INOX	STIRNTAFEL AL/2STAHL
36	70690020	FRONTONE MAN.AL/3 DIVINA INOX	FRONT PANEL AL/3 S.STEEL	PANNEAU AL/3 INOX	STIRNTAFEL AL/3 STAHL
36	70690030	FRONTONE MAN.AL/4 DIVINA INOX	FRONT PANEL AL/4 S.STEEL	PANNEAU AL/4 INOX	STIRNTAFEL AL/4 STAHL
37	21111	MANOMETRO QUADRO 3 ATM MOD B	SQUARE PRESSURE GAUGE 3 ATM "B"	MANOMETRE 3 ATM "B"	MANOMETER 3 ATM "B"
38	70690040	FRONTONE MAN.AEP-SAE/J DIVINA INOX	FRONT PANEL AEP-SAE/JUN S.STEEL	PANNEAU AEP-SAE/JUN INOX	STIRNTAFEL AEP-SAE/JUN STAHL
38	70690050	FRONTONE MAN.AEP/1 DIVINA INOX	FRONT PANEL AEP/1 S.STEEL	PANNEAU AEP/1 INOX	STIRNTAFEL AEP/1 STAHL
38	70690060	FRONTONE MAN.AEP/2 DIVINA INOX	FRONT PANEL AEP/2 S.STEEL	PANNEAU AEP/2 INOX	STIRNTAFEL AEP/2 STAHL
38	70690070	FRONTONE MAN.AEP/3 DIVINA INOX	FRONT PANEL AEP/3 S.STEEL	PANNEAU AEP/3 INOX	STIRNTAFEL AEP/3 STAHL
38	70690080	FRONTONE MAN.AEP/4 DIVINA INOX	FRONT PANEL AEP/4 S.STEEL	PANNEAU AEP/4 INOX	STIRNTAFEL AEP/4 STAHL
39	70690040	FRONTONE MAN.AEP-SAE/J DIVINA INOX	FRONT PANEL AEP-SAE/JUN S.STEEL	PANNEAU AEP-SAE/JUN INOX	STIRNTAFEL AEP-SAE/JUN STAHL
39	70690100	FRONTONE MAN.SAE/1 DIVINA INOX	FRONT PANEL SAE/1 S.STEEL	PANNEAU SAE/1 INOX	STIRNTAFEL SAE/1 STAHL
39	70690110	FRONTONE MAN.SAE/2 DIVINA INOX	FRONT PANEL SAE/2 S.STEEL	PANNEAU SAE/2 INOX	STIRNTAFEL SAE/2 STAHL
39	70690120	FRONTONE MAN.SAE/3 DIVINA INOX	FRONT PANEL SAE/3 S.STEEL	PANNEAU SAE/3 INOX	STIRNTAFEL SAE/3 STAHL
39	70690130	FRONTONE MAN.SAE/4 DIVINA INOX	FRONT PANEL SAE/4 S.STEEL	PANNEAU SAE/4 INOX	STIRNTAFEL SAE/4 STAHL
40	15373070	TAPPO ABS CROMATO FORO GAS	CHROMED KEY	BOUCHON CHROME COUVRE-TROU DU GAZ	CHROM TASTE



24	JUN
25	1GR
26	2GR
26 + 27	3-4GR

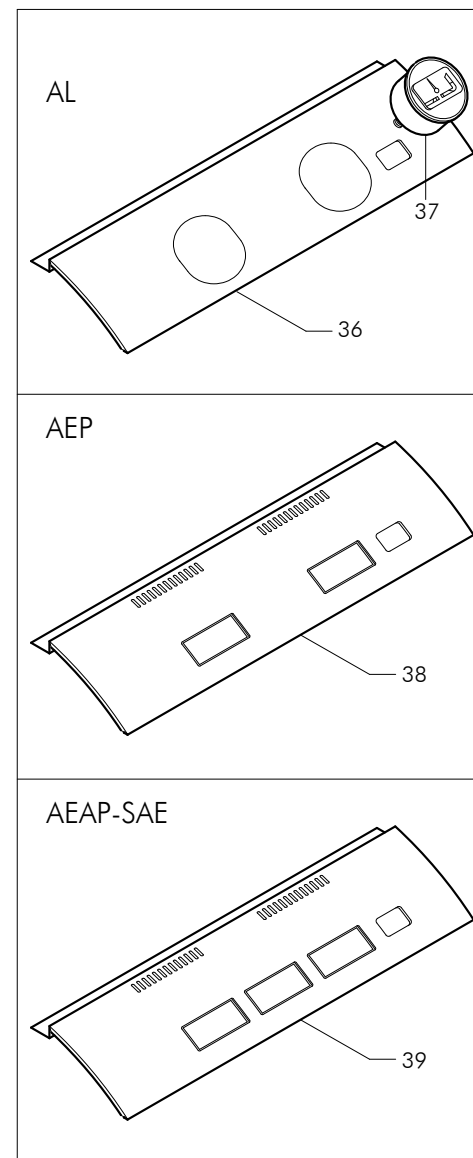
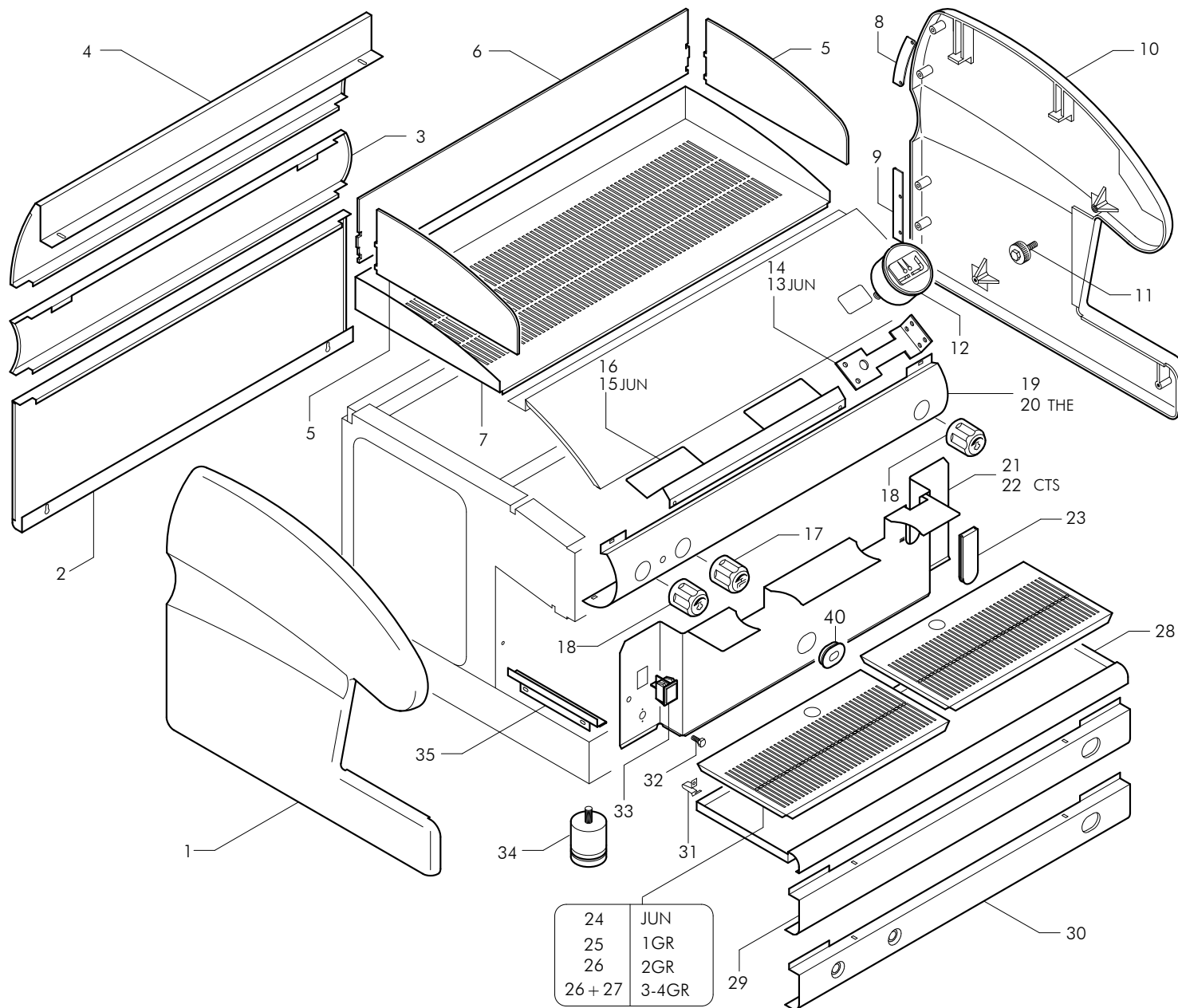


Pos	Cod.	Denominazione - IT -	Denomination - GB -	Denomination - FR -	Denomination - DE -
1	73130085	FIANCO SX DIVINA ROSETTA	LEFT SIDE DIVINA PINK	COTE GAUCHE DIVINA ROSE	LINKE SEITE ROSA
2	75269341	PANN.POST.INF.JUN DIVINA ROSETTA	BOTT.REAR PANEL JUN LIGHT-PINK	PANN.ARR.BAS JUN ROSE	HINTERE UNTERE TAFEL JUN ROSE
2	75269351	PANN.POST.INF.1GR DIVINA ROSETTA	PANEL 1GR LIGHT-PINK	PANNEAU 1GR ROSE	1GR TAFEL ROSE
2	75269361	PANN.POST.INF.2GR DIVINA ROSETTA	PANEL 2GR LIGHT-PINK	PANNEAU 2GR ROSE	2GR TAFEL ROSE
2	75269371	PANN.POST.INF.3GR DIVINA ROSETTA	PANEL 3GR LIGHT-PINK	PANNEAU 3GR ROSE	3GR TAFEL ROSE
2	75269381	PANN.POST.INF.4GR DIVINA ROSETTA	PANEL 4GR LIGHT-PINK	PANNEAU 4GR ROSE	4GR TAFEL ROSE
3	75269390	PANN.POST.CEN.JUN DIVINA NERO S/O	CENTRAL PANEL JUN BLACK	PANNEAU CENTRAL JUN NOIR	HINTERE MITTLERE TAFEL JUN SCHWARZ
3	75269400	PANN.POST.CEN.1GR DIVINA NERO S/O	PANEL 1GR BLACK	PANNEAU 1GR NOIR	1GR TAFEL SCHWARZ
3	75269410	PANN.POST.CEN.2GR DIVINA NERO S/O	PANEL 2GR BLACK	PANNEAU 2GR NOIR	2GR TAFEL SCHWARZ
3	75269420	PANN.POST.CEN.3GR DIVINA NERO S/O	PANEL 3GR BLACK	PANNEAU 3GR NOIR	3GR TAFEL SCHWARZ
3	75269430	PANN.POST.CEN.4GR DIVINA NERO S/O	PANEL 4GR BLACK	PANNEAU 4GR NOIR	4GR TAFEL SCHWARZ
4	75269441	PANN.POST.SUP.JUN DIVINA ROSETTA	TOP REAR PANEL JUN LIGHT-PINK	PANN.ARR.SUP. JUN ROSE	HINTERE OBERE TAFEL JUN ROSE
4	75269451	PANN.POST.SUP.1GR DIVINA ROSETTA	PANEL 1GR LIGHT-PINK	PANNEAU 1GR ROSE	1GR TAFEL ROSE
4	75269461	PANN.POST.SUP.2GR DIVINA ROSETTA	PANEL 2GR LIGHT-PINK	PANNEAU 2GR ROSE	2GR TAFEL ROSE
4	75269471	PANN.POST.SUP.3GR DIVINA ROSETTA	PANEL 3GR LIGHT-PINK	PANNEAU 3GR ROSE	3GR TAFEL ROSE
4	75269481	PANN.POST.SUP.4GR DIVINA ROSETTA	PANEL 4GR LIGHT-PINK	PANNEAU 4GR ROSE	4GR TAFEL ROSE
5	21162060	PLEXIGLASS DX-SX DIVINA NERO	RIGHT-LEFT PANEL PLEXIGLAS DIVINA	PLEXIGLASS DROIT/GOUCHE DIVINA NOIR	LINKE/RECHTE PLEXIGLASS DIVINA
6	21162061	PLEXIGLASS POST. JUN DIVINA NERO	BACK PANEL PLEXIGLAS JUN BLACK	PLEXIGLASS POST.JUN NOIR	HINTERE PLEXIGLASS JUN SCHWARZ
6	21162062	PLEXIGLASS POST. 1GR DIVINA NERO	BACK PANEL PLEXIGLAS 1GR BLACK	PLEXIGLASS POST.1GR NOIR	HINTERE PLEXIGLASS 1GR SCHWARZ
6	21162063	PLEXIGLASS POST. 2GR DIVINA NERO	BACK PANEL PLEXIGLAS 2GR BLACK	PLEXIGLASS POST.2GR NOIR	HINTERE PLEXIGLASS 2GR SCHWARZ
6	21162064	PLEXIGLASS POST. 3GR DIVINA NERO	BACK PANEL PLEXIGLAS 3GR BLACK	PLEXIGLASS POST.3GR NOIR	HINTERE PLEXIGLASS 3GR SCHWARZ
6	21162065	PLEXIGLASS POST. 4GR DIVINA NERO	BACK PANEL PLEXIGLAS 4GR BLACK	PLEXIGLASS POST.4GR NOIR	HINTERE PLEXIGLASS 4GR SCHWARZ
7	76100030	GRIGLIA SUP.JUN DIVINA INOX LUCIDO	TOP GRATE JUN S.STEEL	GRILLE SUP. JUN INOX	OBERGITTER JUN
7	76100031	GRIGLIA SUP.1GR DIVINA INOX LUCIDO	TOP GRATE 1GR S.STEEL	GRILLE SUP. 1GR INOX	OBERGITTER 1GR
7	76100032	GRIGLIA SUP.2GR DIVINA INOX LUCIDO	TOP GRATE 2GR S.STEEL	GRILLE SUP. 2GR INOX	OBERGITTER 2GR
7	76100033	GRIGLIA SUP.3GR DIVINA INOX LUCIDO	TOP GRATE 3GR. S.STEEL	GRILLE SUP. 3GR INOX	OBERGITTER 3GR
7	76100034	GRIGLIA SUP.4GR DIVINA INOX LUCIDO	TOP GRATE 4GR S.STEEL	GRILLE SUP. 3GR INOX	OBERGITTER 4GR
8	77607003	STAFFA SUPERIORE FIANCO	TOP SIDE BRACKET	PLATINE SUPERIEURE COTE	OBERER BUECKEL SEITENBLLENDE
9	77607004	STAFFA INFERIORE FIANCO	BOTTOM SIDE BRACKET	PLATINE INFERIEURE COTE	UNTERER BUEGEL SEITENBLLENDE
10	73130084	FIANCO DX DIVINA ROSETTA	RIGHT SIDE PINK	COTE DROIT ROSE	RECHTE SEITE ROSA
11	23100	POMELLO FISSAGGIO FIANCHETTO FE/Z	SIDE FIXING SCREW FE/Z	POMMEAU DE FIXAGE FE/Z	BEFESTIGUNGSGRIFF FE/Z
12	21109	MANOMETRO QUADRO DOPPIA SCALA	SQUARE GAUGE DOUBLE L. SCALE	MANOMETRE TABLEAU DOUBLE ECHELLE L.	MANOMETERTAFEL DOPPELSKAL
13	78150012	SUPPORTO MANOMETRO JUN DIVINA	SUPPORT PRESSURE-GAUGE JUN	SUPPORT MANOMETRE JUN	MANOMETERHALTER-AUSGABE JUN
14	78150013	SUPPORTO MANOMETRO 1>4GR	SUPPORT PRESSURE-GAUGE	SUPPORT MANOMETRE	MANOMETERHALTER- AUSGABE
15	77692210	PROTEZIONE PULSANTIERE JUN DIVINA	JUN PUSH BUTTON PANEL GUAR	PROTECTION CLAVIERS JUN DIVINA	SCHUTZ BEDIENBLLENDE JUN
16	77692211	PROTEZIONE PULSANTIERE 1GR DIVINA	PUSH BUTTON PANEL GUARD 1 GR	PROTECTION CLAVIERS 1GR DIVINA	SCHUTZ BEDIENBLLENDE 1GR
16	77692212	PROTEZIONE PULSANTIERE 2GR DIVINA	PUSH BUTTON PANEL GUARD 2GR	PROTECTION CLAVIERS 2GR DIVINA	SCHUTZ BEDIENBLLENDE 2GR
16	77692213	PROTEZIONE PULSANTIERE 3GR DIVINA	PUSH BUTTON PANEL GUARD 3GR	PROTECTION CLAVIERS 3GR DIVINA	SCHUTZ BEDIENBLLENDE 3GR
16	77692214	PROTEZIONE PULSANTIERE 4GR DIVINA	PUSH BUTTON PANEL GUARD 4GR	PROTECTION CLAVIERS 4GR DIVINA	SCHUTZ BEDIENBLLENDE 4GR

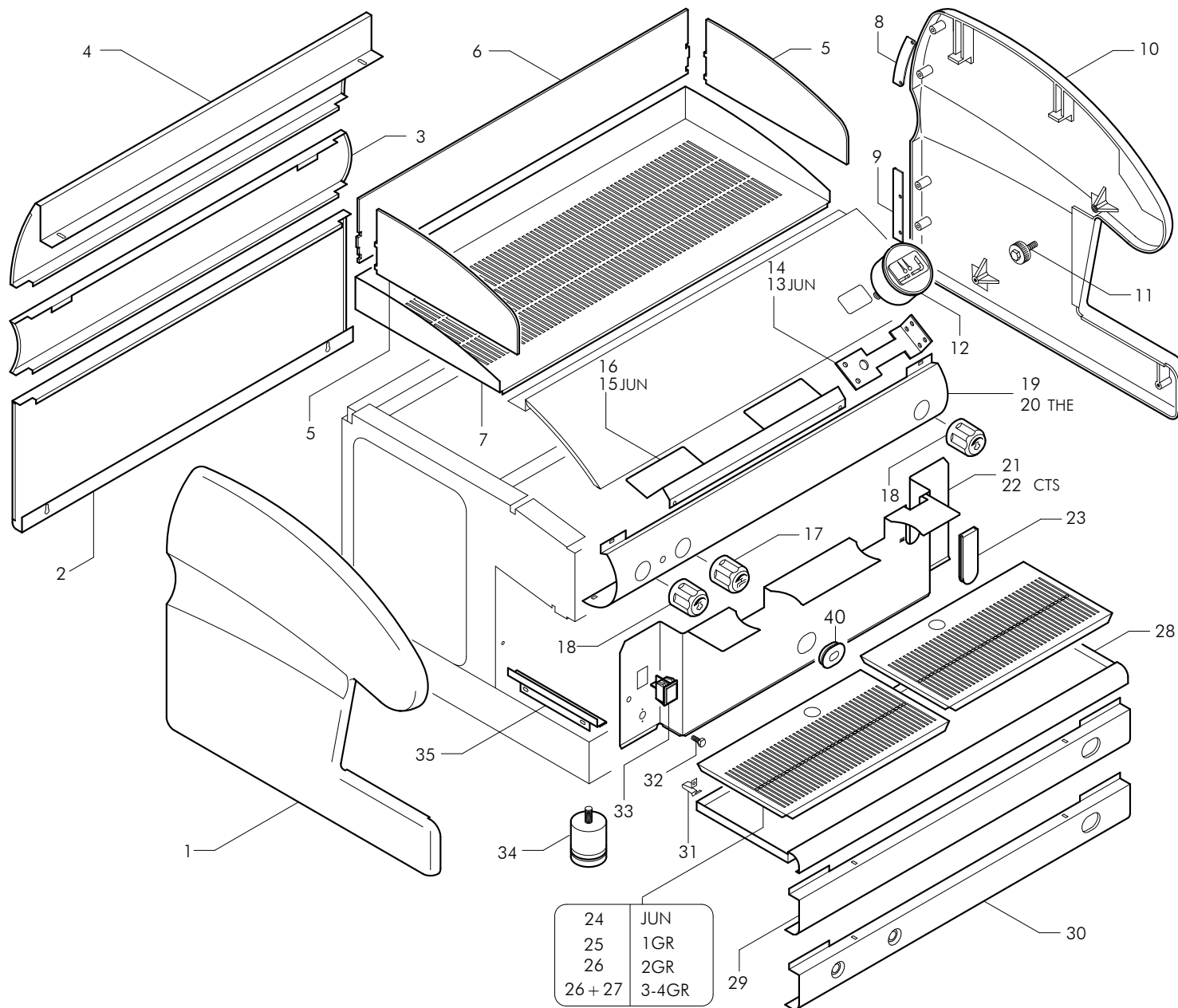


Pos	Cod.	Denominazione - IT -	Denomination - GB -	Denomination - FR -	Denomination - DE -
17	15264	MANOPOLA RUBINETTO H2O	WATER TAP KNOB	POIGNEE ROBINET EAU	WASSERHAHNGRIFF
18	15265	MANOPOLA RUBINETTO VAPORE	STEAM TAP KNOB	POIGNEE ROBINET VAPEUR	DAMPFHAHNGRIFF
19	70690140	FRONT.RUB.JUN DIVINA NERO S/OPACO	FRONT PANEL JUN BLACK	PANNEAU JUN NOIR	HAHNSTIRNTAFEL JUN SCHWARZ
19	70690160	FRONT.RUB.1GR DIVINA NERO S/OPACO	FRONT PANEL 1GR BLACK	PANNEAU 1GR NOIR	1GR STIRNTAFEL SCHWARZ
19	70690180	FRONT.RUB.2GR DIVINA NERO S/OPACO	FRONT PANEL 2GR BLACK	PANNEAU 2GR NOIR	2GR STIRNTAFEL SCHWARZ
19	70690200	FRONT.RUB.3GR DIVINA NERO S/OPACO	FRONT PANEL 3GR BLACK	PANNEAU 3GR NOIR	3GR STIRNTAFEL SCHWARZ
19	70690220	FRONT.RUB.4GR DIVINA NERO S/OPACO	FRONT PANEL 4GR BLACK	PANNEAU 4GR NOIR	4GR STIRNTAFEL SCHWARZ
20	70690170	FRONT.RUB.1GR THE DIVINA NERO S/OPA	FRONT PAN.1 TAP UNIT BLACK S/OPAQUE	FACE ROBIN.1GR THE NOIR SEMI-MAT	FRONTTEIL HAHN 1GR.THE SCHWARZ HALB
20	70690190	FRONT.RUB.2GR THE DIVINA NERO S/OPA	FRONT PAN.2 TAP UNIT BLACK S/OPAQUE	FACE ROBIN.2GR THE NOIR SEMI-MAT	FRONTTEIL HAHN 2GR.THE SCHWARZ HALB
20	70690210	FRONT.RUB.3GR THE DIVINA NERO S/OPA	FRONT PANEL 3GR BLACK	PANNEAU 3GR NOIR	3GR STIRNTAFEL SCHWARZ
20	70690230	FRONT.RUB.4GR THE DIVINA NERO S/OPA	FRONT PAN.4 TAP UNIT BLACK S/OPAQUE	FACE ROBIN.4GR THE NOIR SEMI-MAT	FRONTTEIL HAHN 4GR.THE SCHWARZ HALB
21	77849015	COPRICALDAIA JUN DIVINA INOX LUCIDO	SILV.BRIGHT STEEL JUN BOILER-COVER	CACHE-CHAUDIERE JUN INOX BRILLANT	KESSELDECKUNG JUN STAHL
21	77849016	COPRICALDAIA 1GR DIVINA INOX LUCIDO	SILV.BRIGHT STEEL 1GR BOILER-COVER	CACHE-CHAUDIERE 1GR INOX BRILLANT	STAHL-KESSELDECKUNG 1GR
21	77849017	COPRICALDAIA 2GR DIVINA INOX LUCIDO	SILV.BRIGHT STEEL 2GR BOILER-COVER	CACHE-CHAUDIERE 2GR INOX BRILLANT	STAHL-KESSELDECKUNG 2GR
21	77849018	COPRICALDAIA 3GR DIVINA INOX LUCIDO	SILV.BRIGHT STEEL 3GR BOILER-COVER	CACHE-CHAUDIERE 3GR INOX BRILLANT	STAHL-KESSELDECKUNG 3GR
21	77849019	COPRICALDAIA 4GR DIVINA INOX LUCIDO	SILV.BRIGHT STEEL 4GR BOILER-COVER	CACHE-CHAUDIERE 4GR INOX BRILLANT	STAHL-KESSELDECKUNG 4GR
22	77849025	COPRICALDAIA JUN DIVINA INOX/L CTS	STAINLESS STEEL/L JUN BOILER COVER	COUVRE-CHAUDIERE JUN INOX/L CTS	KESSELABDECKUNG JUN EDELSTAHL/L
22	77849026	COPRICALDAIA 1GR DIVINA INOX/L CTS	S/S BOILER COVER 1GR CTS	COUVRE-CHAUDIERE 1GR INOX/L CTS	KESSELABDECKUNG 1GR EDELSTAHL/L
22	77849027	COPRICALDAIA 2GR DIVINA INOX/L CTS	S/S BOILER COVER 2GR CTS	COUVRE-CHAUDIERE 2GR INOX/L CTS	KESSELABDECKUNG 2GR EDELSTAHL/L
22	77849028	COPRICALDAIA 3GR DIVINA INOX/L CTS	S/S BOILER COVER 3GR CTS	COUVRE-CHAUDIERE 3GR INOX/L CTS	KESSELABDECKUNG 3GR EDELSTAHL/L
22	77849029	COPRICALDAIA 4GR DIVINA INOX/L CTS	S/S BOILER COVER 4GR CTS	COUVRE-CHAUDIERE 4GR INOX/L CTS	KESSELABDECKUNG 4GR EDELSTAHL/L
23	21200	SEGNALIVELLO OVE TUV INCOLORE	LEVEL INDICATOR WINDOW OVE-TUV	INDICATEUR DE NIVEAU OVE-TUV	NIVEAUANZEIGER OVE-TUV
24	76152000	GRIGLIA INF.WN01 INOX LUC.316X201	LOWER GRILL 316X201 - SHINY S.STEEL	GRILLE INF.INOX 316X201	STAHL-UNTERGITTER 316X201
25	76153000	GRIGLIA INF.WN01 INOX LUC.456X201	LOWER GRILL 456X201 SHINY S.STEEL	GRILLE INF.INOX 456X201	STAHL-UNTERGITTER 456X201
26	76154000	GRIGLIA INF.DX WN01 IN/LUC.338.5X201	RIGHT LOWER GRILL -SHINY S.STEEL	GRILLE INF.DROIT INOX 338,5X201	STAHL-UNTER-RECHTEGITTER 338,5X201
26	76155000	GRIGLIA INF.SX WN01 IN/LUC.338.5X201	LEFT LOWER GRILL - SHINY S.STEEL	GRILLE INF.GAUCHE INOX 338,5X201	STAHL-UNTER-LINKEGITTER 338,5X201
27	76156000	GRIGLIA INF.WN01 INOX LUC. 253X201	LOWER GRILL 253X201 - SHINY S.STEEL	GRILLE INF.INOX 253X201	STAHL-UNTERGITTER 253X201
28	76098000	BACINELLA JUN DIVINA INOX LUCIDO	SILV.BRIGHT STEEL JUN TRAY	CUVE JUN INOX BRILLANT	STAHLSCHALE JUN
28	76098001	BACINELLA 1GR DIVINA INOX LUCIDO	SILV.BRIGHT STEEL 1GR TRAY	CUVE 1GR INOX BRILLANT	STAHLSCHALE 1GR
28	76098002	BACINELLA 2GR DIVINA INOX LUCIDO	SILV.BRIGHT STEEL 2GR TRAY	CUVE 2GR INOX BRILLANT	STAHLSCHALE 2GR
28	76098003	BACINELLA 3GR DIVINA INOX LUCIDO	SILV.BRIGHT STEEL 3GR TRAY	CUVE 3GR INOX BRILLANT	STAHLSCHALE 3GR
28	76098004	BACINELLA 4GR DIVINA INOX LUCIDO	SILV.BRIGHT STEEL 4GR TRAY	CUVE 4GR INOX BRILLANT	STAHLSCHALE 4GR
29	77454040	PROFILO BASAMENTO ANT.JUN DIVINA NERO S/	BLACK BASE PROFILE JUN	PROFIL BASE JUN NOIR	BASISPROFIL HIMMELBLAU JUN
29	77454050	PROF.BAS.ANT.1GR DIVINA NERO S/O	BLACK BASE PROFILE 1GR	PROFIL BASE 1GR NOIR	BASISPROFIL SCHWARZ 1GR
29	77454070	PROF.BAS.ANT.2GR DIVINA NERO S/O	BLACK BASE PROFILE 2GR	PROFIL BASE 2GR NOIR	BASISPROFIL SCHWARZ 2GR
29	77454090	PROF.BAS.ANT.3GR DIVINA NERO S/O	BLACK BASE PROFILE 3GR	PROFIL BASE 3GR NOIR	BASISPROFIL SCHWARZ 3GR
29	77454110	PROF.BAS.ANT.4GR DIVINA NERO S/O	BLACK BASE PROFILE 4GR	PROFIL BASE 4GR NOIR	BASISPROFIL SCHWARZ 4GR

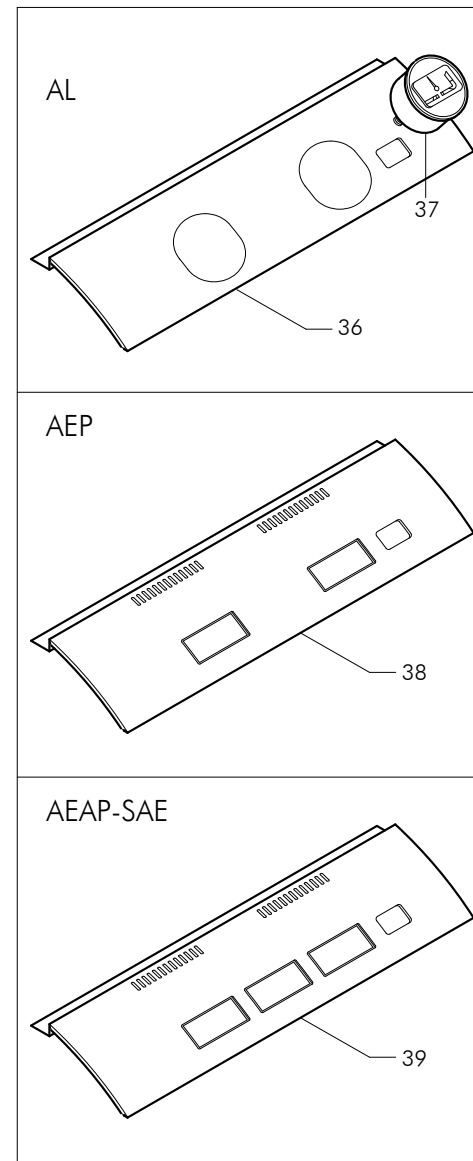




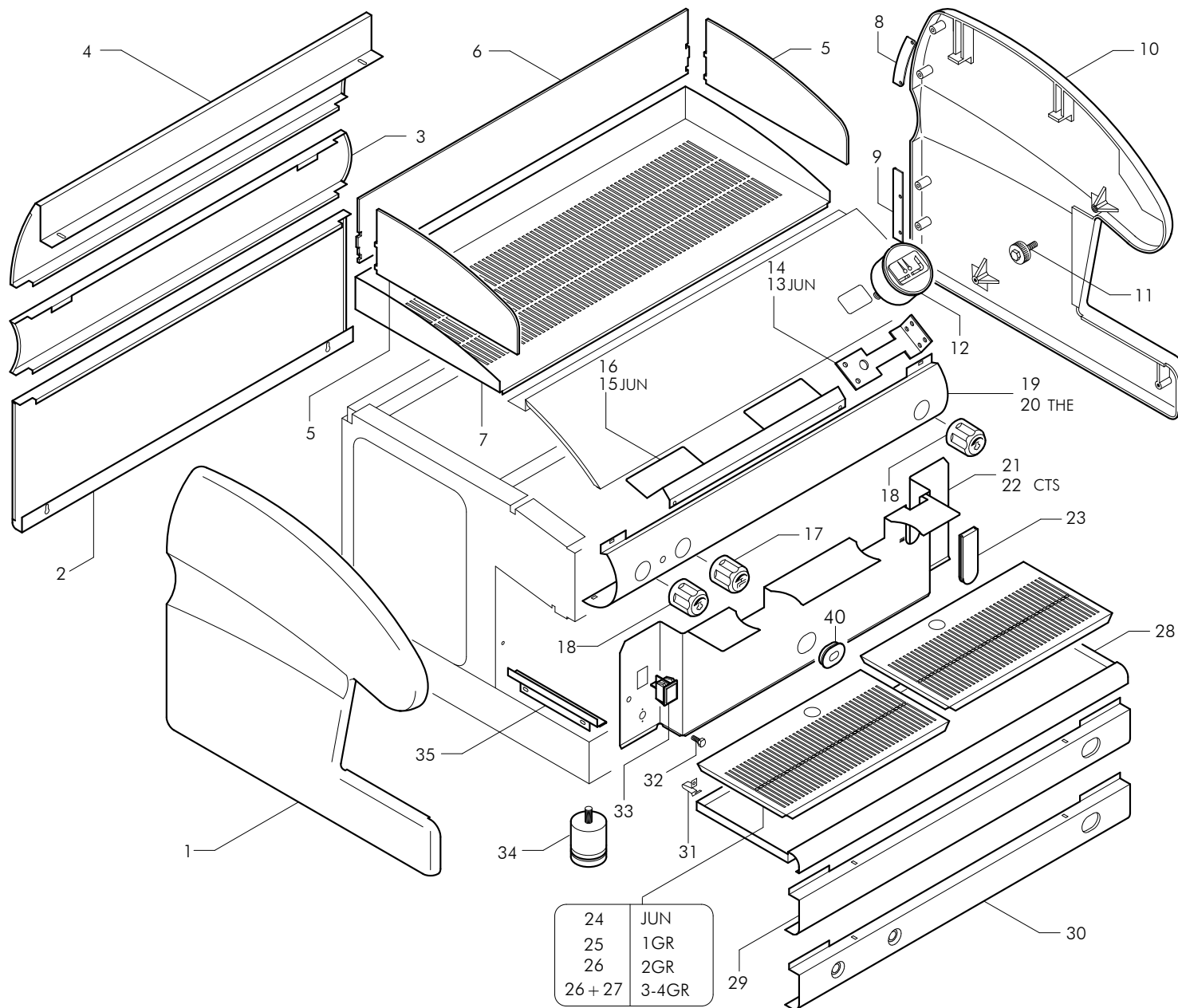
Pos	Cod.	Denominazione - IT -	Denomination - GB -	Denomination - FR -	Denomination - DE -
30	77454060	PROF.BAS.ANT.1GR DIVINA GAS NER-S/O	BLACK BASE PROFILE 1GR GAS	PROFIL BASE 1GR NOIR GAZ	BASISPROFIL 1GR GAS SCHWARZ
30	77454080	PROF.BAS.ANT.2GR DIVINA GAS NER-S/O	BLACK BASE PROFILE 2GR GAS	PROFIL BASE 2GR NOIR GAZ	BASISPROFIL SCHWARZ GAS 2GR
30	77454100	PROF.BAS.ANT.3GR DIVINA GAS NER-S/O	BLACK BASE PROFILE 3GR GAS	PROFIL BASE 3GR NOIR	BASISPROFIL SCHWARZ 3GR GAS
30	77454120	PROF.BAS.ANT.4GR DIVINA GAS NER-S/O	BLACK BASE PROFIL 4GR GAS	PROFIL BASE 4GR GAZ NOIR	BASISPROFIL 4GR GAS SCHWARZ
31	10471	MOLLA FERMA BACINELLA DV	DIVINA TRAY STOP SPRING	RESSORT ARRET BAC	FEDER F. BECKENBEFESTIGUNG
32	23420	VITE TE OTTONE M6X12 NICHELATA	M6X12NICKEL-PLATED BRASS HEX.HEAD SCREW	VIS TH LAITON M6X12 NICKEL	SECHSKANTSCHRAUBE AUS MESSING M6X12
33	15486002	TAPPO FORO INTERRUETTORE	SWITCH HOLE PLUG	CAPUCHON TROU INTERRUP.	ABDECKUNG SCHALTERLOCH
34	15318	PIEDINO REGOLABILE INOX/SAT H55/69	ADJUSTABLE FOOT H55/69	PIED REGLABLE H55/69	REGELBARER FUSS H55/69
34	15321	PIEDINO REGOLABILE INOX/SAT H88/102	ADJUSTABLE FOOT H88/102	PIED REGLABLE H88/102	REGELBARER FUSS H88/102
35	77742	GUIDA DX BACINELLA TELAIIO DIVINA	GUIDE FOR TRAY	GUIDAGE CUVE	FUHRUNG SCHALE
36	70690000	FRONTONE MAN AL/1 DIVINA INOX	FRONT PANEL AL/1 S.STEEL	PANNEAU AL/1 INOX	STIRNTAFEL AL/1 STAHL
36	70690010	FRONTONE MAN.AL/2 DIVINA INOX	FRONT PANEL AL/2 S.STEEL	PANNEAU AL/2 INOX	STIRNTAFEL AL/2STAHL
36	70690020	FRONTONE MAN.AL/3 DIVINA INOX	FRONT PANEL AL/3 S.STEEL	PANNEAU AL/3 INOX	STIRNTAFEL AL/3 STAHL
36	70690030	FRONTONE MAN.AL/4 DIVINA INOX	FRONT PANEL AL/4 S.STEEL	PANNEAU AL/4 INOX	STIRNTAFEL AL/4 STAHL
37	21111	MANOMETRO QUADRO 3 ATM MOD B	SQUARE PRESSURE GAUGE 3 ATM "B"	MANOMETRE 3 ATM "B"	MANOMETER 3 ATM "B"
38	70690040	FRONTONE MAN.AEP-SAE/J DIVINA INOX	FRONT PANEL AEP-SAE/JUN S.STEEL	PANNEAU AEP-SAE/JUN INOX	STIRNTAFEL AEP-SAE/JUN STAHL
38	70690050	FRONTONE MAN.AEP/1 DIVINA INOX	FRONT PANEL AEP/1 S.STEEL	PANNEAU AEP/1 INOX	STIRNTAFEL AEP/1 STAHL
38	70690060	FRONTONE MAN.AEP/2 DIVINA INOX	FRONT PANEL AEP/2 S.STEEL	PANNEAU AEP/2 INOX	STIRNTAFEL AEP/2 STAHL
38	70690070	FRONTONE MAN.AEP/3 DIVINA INOX	FRONT PANEL AEP/3 S.STEEL	PANNEAU AEP/3 INOX	STIRNTAFEL AEP/3 STAHL
38	70690080	FRONTONE MAN.AEP/4 DIVINA INOX	FRONT PANEL AEP/4 S.STEEL	PANNEAU AEP/4 INOX	STIRNTAFEL AEP/4 STAHL
39	70690040	FRONTONE MAN.AEP-SAE/J DIVINA INOX	FRONT PANEL AEP-SAE/JUN S.STEEL	PANNEAU AEP-SAE/JUN INOX	STIRNTAFEL AEP-SAE/JUN STAHL
39	70690100	FRONTONE MAN.SAE/1 DIVINA INOX	FRONT PANEL SAE/1 S.STEEL	PANNEAU SAE/1 INOX	STIRNTAFEL SAE/1 STAHL
39	70690110	FRONTONE MAN.SAE/2 DIVINA INOX	FRONT PANEL SAE/2 S.STEEL	PANNEAU SAE/2 INOX	STIRNTAFEL SAE/2 STAHL
39	70690120	FRONTONE MAN.SAE/3 DIVINA INOX	FRONT PANEL SAE/3 S.STEEL	PANNEAU SAE/3 INOX	STIRNTAFEL SAE/3 STAHL
39	70690130	FRONTONE MAN.SAE/4 DIVINA INOX	FRONT PANEL SAE/4 S.STEEL	PANNEAU SAE/4 INOX	STIRNTAFEL SAE/4 STAHL
40	15373070	TAPPO ABS CROMATO FORO GAS	CHROMED KEY	BOUCHON CHROME COUVRE-TROU DU GAZ	CHROM TASTE



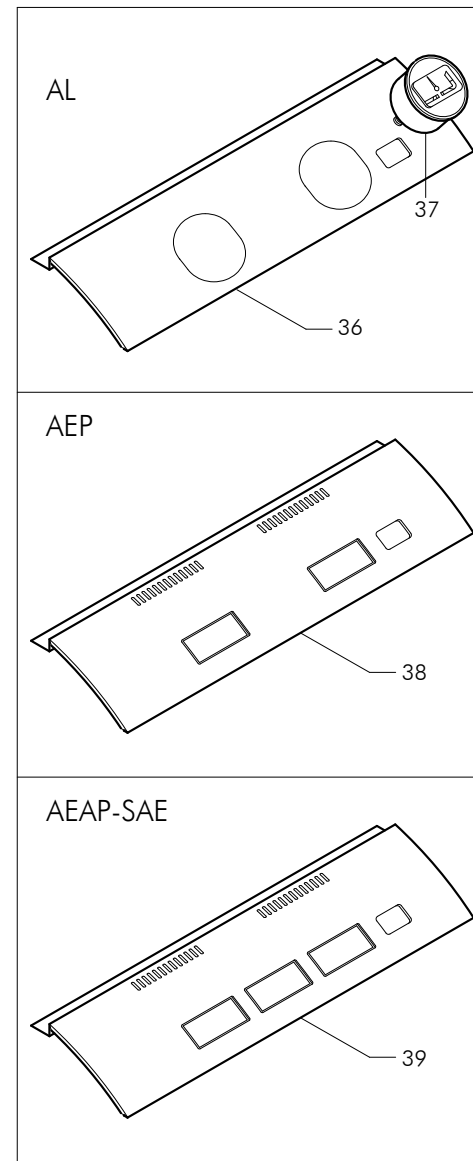
24	JUN
25	1GR
26	2GR
26 + 27	3-4GR



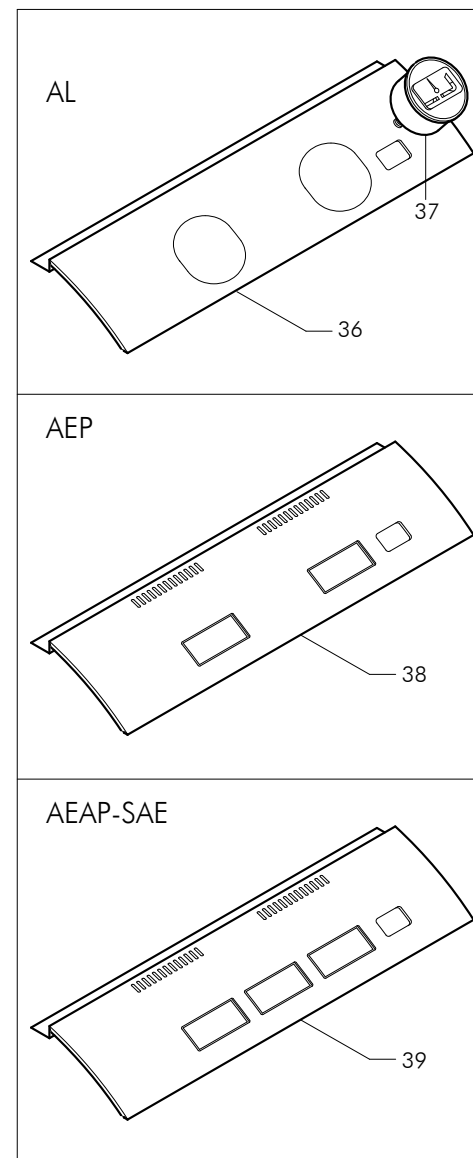
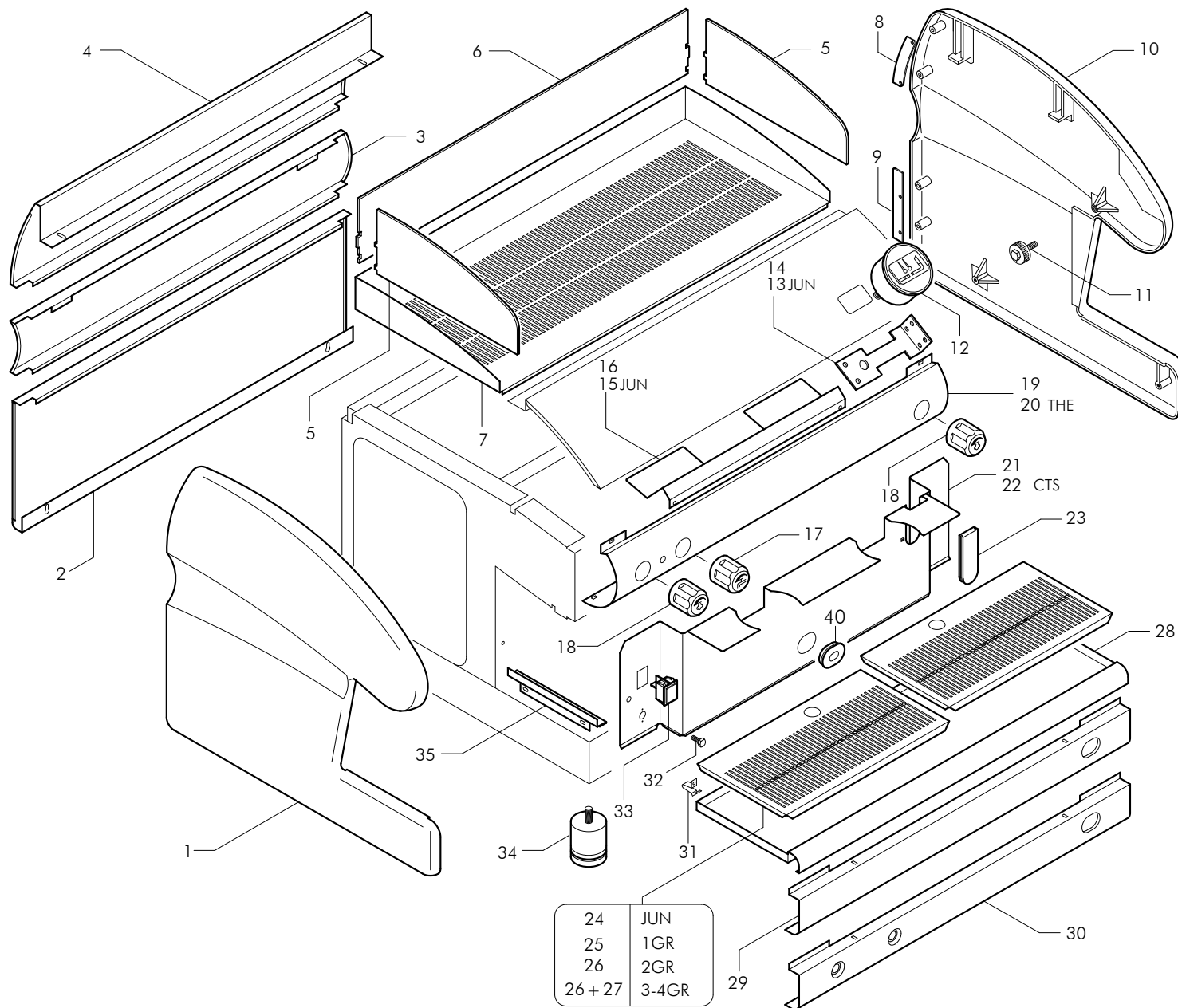
Pos	Cod.	Denominazione - IT -	Denomination - GB -	Denomination - FR -	Denomination - DE -
1	73130087	FIANCO SX DIVINA ROSSO H.	LEFT SIDE DIVINA RED	COTE GAUCHE DIVINA ROUGE	LINKE SEITE DIVINA ROT
2	75269343	PANN.POST.INF.JUN DIVINA ROSSO HAUS	BOTT.REAR PANEL JUN.RED	PANN.ARR.BAS JUN DIVINA ROUGE	HINTERE UNTERE TAFEL JUN ROT
2	75269353	PANN.POST.INF.1GR DIVINA ROSSO HAUS	BOTT. REAR PANEL RED 1 UNIT	PANN.ARR.BAS 1GR DIVINA ROUGE	HINTERE UNTERE PLATTE 1GR ROT
2	75269363	PANN.POST.INF.2GR DIVINA ROSSO HAUS	BOTT. REAR PANEL RED 2 UNIT	PANN.ARR.BAS 2GR DIVINA ROUGE	HINTERE UNTERE PLATTE 2GR ROT
2	75269373	PANN.POST.INF.3GR DIVINA ROSSO HAUS	LOWER BACK PANEL 3GR DIVINA RED	PANNEAU POST.INF. 3GR DIVINA ROUGE	HINTERE TAFEL UNTEN 3GR.DIVINA ROT
2	75269383	PANN.POST.INF.4GR DIVINA ROSSO HAUS	LOWER BACK PANEL 4GR DIVINA RED	PANNEAU POST.INF. 4GR DIVINA ROUGE	HINTERE TAFEL UNTEN 4GR. DIVINA ROT
3	75269390	PANN.POST.CEN.JUN DIVINA NERO S/O	CENTRAL PANEL JUN BLACK	PANNEAU CENTRAL JUN NOIR	HINTERE MITTLERE TAFEL JUN SCHWARZ
3	75269400	PANN.POST.CEN.1GR DIVINA NERO S/O	PANEL 1GR BLACK	PANNEAU 1GR NOIR	1GR TAFEL SCHWARZ
3	75269410	PANN.POST.CEN.2GR DIVINA NERO S/O	PANEL 2GR BLACK	PANNEAU 2GR NOIR	2GR TAFEL SCHWARZ
3	75269420	PANN.POST.CEN.3GR DIVINA NERO S/O	PANEL 3GR BLACK	PANNEAU 3GR NOIR	3GR TAFEL SCHWARZ
3	75269430	PANN.POST.CEN.4GR DIVINA NERO S/O	PANEL 4GR BLACK	PANNEAU 4GR NOIR	4GR TAFEL SCHWARZ
4	75269443	PANN.POST.SUP.JUN DIVINA ROSSO HAUS	TOP REAR PANEL JUN. RED	PANN.ARR.SUP. JUN DIVINA ROUGE	HINTERE OBERE TAFEL JUN ROT
4	75269453	PANN.POST.SUP.1GR DIVINA ROSSO HAUS	TOP REAR PANEL RED 1 UNIT	PANN.ARR.HAUT 1GR DIVINA ROUGE	HINTERE OBERE PLATTE 1GR ROT
4	75269463	PANN.POST.SUP.2GR DIVINA ROSSO HAUS	TOP REAR PANEL RED 2 UNIT	PANN.ARR.HAUT 2GR DIVINA ROUGE	HINTERE OBERE PLATTE 2GR ROT
4	75269473	PANN.POST.SUP.3GR DIVINA ROSSO HAUS	UPPER BACK PANEL 3GR DIVINA RED	PANNEAU POST.SUP. 3GR DIVINA ROUGE	HINTERE TAFEL OBEN 3GR DIVINA ROT
4	75269483	PANN.POST.SUP.4GR DIVINA ROSSO HAUS	UPPER BACK PANEL 4GR DIVINA RED	PANNEAU POST.SUP. 4GR DIVINA ROUGE	HINTERE TAFEL OBEN 4GR DIVINA ROT
5	21162060	PLEXIGLASS DX-SX DIVINA NERO	RIGHT-LEFT PANEL PLEXIGLAS DIVINA	PLEXIGLASS DROIT/GOUCHE DIVINA NOIR	LINKE/RECHTE PLEXIGLASS DIVINA
6	21162061	PLEXIGLASS POST. JUN DIVINA NERO	BACK PANEL PLEXIGLAS JUN BLACK	PLEXIGLASS POST.JUN NOIR	HINTERE PLEXIGLASS JUN SCHWARZ
6	21162062	PLEXIGLASS POST. 1GR DIVINA NERO	BACK PANEL PLEXIGLASS 1GR BLACK	PLEXIGLASS POST.1GR NOIR	HINTERE PLEXIGLASS 1GR SCHWARZ
6	21162063	PLEXIGLASS POST. 2GR DIVINA NERO	BACK PANEL PLEXIGLAS 2GR BLACK	PLEXIGLASS POST.2GR NOIR	HINTERE PLEXIGLASS 2GR SCHWARZ
6	21162064	PLEXIGLASS POST. 3GR DIVINA NERO	BACK PANEL PLEXIGLAS 3GR BLACK	PLEXIGLASS POST.3GR NOIR	HINTERE PLEXIGLASS 3GR SCHWARZ
6	21162065	PLEXIGLASS POST. 4GR DIVINA NERO	BACK PANEL PLEXIGLAS 4GR BLACK	PLEXIGLASS POST.4GR NOIR	HINTERE PLEXIGLASS 4GR SCHWARZ
7	76100030	GRIGLIA SUP.JUN DIVINA INOX LUCIDO	TOP GRATE JUN S.STEEL	GRILLE SUP. JUN INOX	OBERGITTER JUN
7	76100031	GRIGLIA SUP.1GR DIVINA INOX LUCIDO	TOP GRATE 1GR S.STEEL	GRILLE SUP. 1GR INOX	OBERGITTER 1GR
7	76100032	GRIGLIA SUP.2GR DIVINA INOX LUCIDO	TOP GRATE 2GR S.STEEL	GRILLE SUP. 2GR INOX	OBERGITTER 2GR
7	76100033	GRIGLIA SUP.3GR DIVINA INOX LUCIDO	TOP GRATE 3GR. S.STEEL	GRILLE SUP. 3GR INOX	OBERGITTER 3GR
7	76100034	GRIGLIA SUP.4GR DIVINA INOX LUCIDO	TOP GRATE 4GR S.STEEL	GRILLE SUP. 3GR INOX	OBERGITTER 4GR
8	77607003	STAFFA SUPERIORE FIANCO	TOP SIDE BRACKET	PLATINE SUPERIEURE COTE	OBERER BUECKEL SEITENBLLENDE
9	77607004	STAFFA INFERIORE FIANCO	BOTTOM SIDE BRACKET	PLATINE INFERIEURE COTE	UNTERER BUEGEL SEITENBLLENDE
10	73130086	FIANCO DX DIVINA ROSSO H.	RIGHT SIDE RED	COTE DROIT ROUGE	RECHTE SEITE ROT
11	23100	POMELLO FISSAGGIO FIANCHETTO FE/Z	SIDE FIXING SCREW FE/Z	POMMEAU DE FIXAGE FE/Z	BEFESTIGUNGSGRIFF FE/Z
12	21109	MANOMETRO QUADRO DOPPIA SCALA	SQUARE GAUGE DOUBLE L. SCALE	MANOMETRE TABLEAU DOUBLE ECHELLE L.	MANOMETERTAFEL DOPPELSKAL
13	78150012	SUPPORTO MANOMETRO JUN DIVINA	SUPPORT PRESSURE-GAUGE JUN	SUPPORT MANOMETRE JUN	MANOMETERHALTER-AUSGABE JUN
14	78150013	SUPPORTO MANOMETRO 1>4GR	SUPPORT PRESSURE-GAUGE	SUPPORT MANOMETRE	MANOMETERHALTER- AUSGABE
15	77692210	PROTEZIONE PULSANTIERE JUN DIVINA	JUN PUSH BUTTON PANEL GUAR	PROTECTION CLAVIERS JUN DIVINA	SCHUTZ BEDIENBLLENDE JUN
16	77692211	PROTEZIONE PULSANTIERE 1GR DIVINA	PUSH BUTTON PANEL GUARD 1 GR	PROTECTION CLAVIERS 1GR DIVINA	SCHUTZ BEDIENBLLENDE 1GR
16	77692212	PROTEZIONE PULSANTIERE 2GR DIVINA	PUSH BUTTON PANEL GUARD 2GR	PROTECTION CLAVIERS 2GR DIVINA	SCHUTZ BEDIENBLLENDE 2GR
16	77692213	PROTEZIONE PULSANTIERE 3GR DIVINA	PUSH BUTTON PANEL GUARD 3GR	PROTECTION CLAVIERS 3GR DIVINA	SCHUTZ BEDIENBLLENDE 3GR
16	77692214	PROTEZIONE PULSANTIERE 4GR DIVINA	PUSH BUTTON PANEL GUARD 4GR	PROTECTION CLAVIERS 4GR DIVINA	SCHUTZ BEDIENBLLENDE 4GR



24	JUN
25	1GR
26	2GR
26 + 27	3-4GR

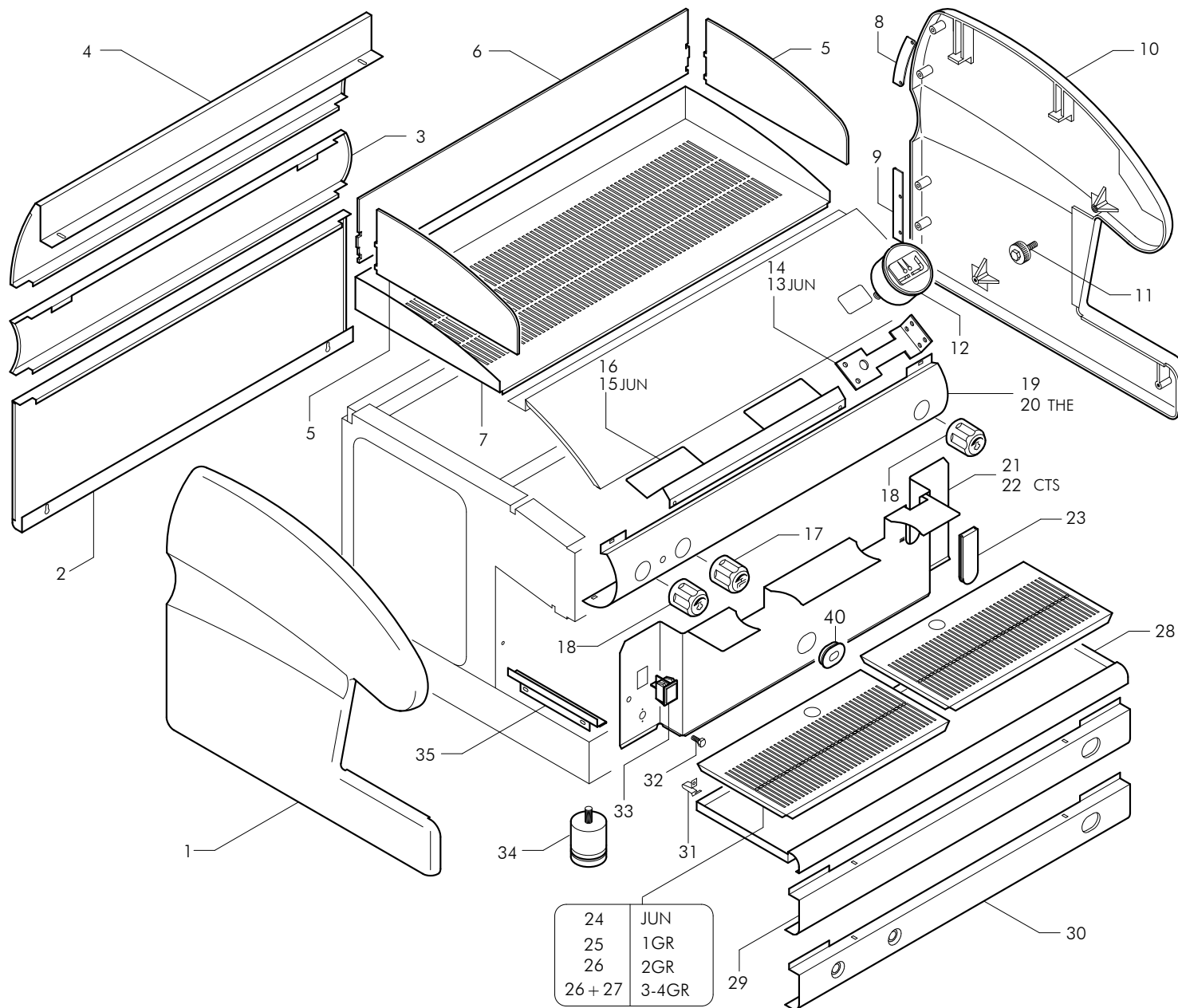


Pos	Cod.	Denominazione - IT -	Denomination - GB -	Denomination - FR -	Denomination - DE -
17	15264	MANOPOLA RUBINETTO H2O	WATER TAP KNOB	POIGNEE ROBINET EAU	WASSERHAHNGRIFF
18	15265	MANOPOLA RUBINETTO VAPORE	STEAM TAP KNOB	POIGNEE ROBINET VAPEUR	DAMPFHAHNGRIFF
19	70690140	FRONT.RUB.JUN DIVINA NERO S/OPACO	FRONT PANEL JUN BLACK	PANNEAU JUN NOIR	HAHNSTIRNTAFEL JUN SCHWARZ
19	70690160	FRONT.RUB.1GR DIVINA NERO S/OPACO	FRONT PANEL 1GR BLACK	PANNEAU 1GR NOIR	1GR STIRNTAFEL SCHWARZ
19	70690180	FRONT.RUB.2GR DIVINA NERO S/OPACO	FRONT PANEL 2GR BLACK	PANNEAU 2GR NOIR	2GR STIRNTAFEL SCHWARZ
19	70690200	FRONT.RUB.3GR DIVINA NERO S/OPACO	FRONT PANEL 3GR BLACK	PANNEAU 3GR NOIR	3GR STIRNTAFEL SCHWARZ
19	70690220	FRONT.RUB.4GR DIVINA NERO S/OPACO	FRONT PANEL 4GR BLACK	PANNEAU 4GR NOIR	4GR STIRNTAFEL SCHWARZ
20	70690170	FRONT.RUB.1GR THE DIVINA NERO S/OPA	FRONT PAN.1 TAP UNIT BLACK S/OPAQUE	FACE ROBIN.1GR THE NOIR SEMI-MAT	FRONTTEIL HAHN 1GR.THE SCHWARZ HALB
20	70690190	FRONT.RUB.2GR THE DIVINA NERO S/OPA	FRONT PAN.2 TAP UNIT BLACK S/OPAQUE	FACE ROBIN.2GR THE NOIR SEMI-MAT	FRONTTEIL HAHN 2GR.THE SCHWARZ HALB
20	70690210	FRONT.RUB.3GR THE DIVINA NERO S/OPA	FRONT PANEL 3GR BLACK	PANNEAU 3GR NOIR	3GR STIRNTAFEL SCHWARZ
20	70690230	FRONT.RUB.4GR THE DIVINA NERO S/OPA	FRONT PAN.4 TAP UNIT BLACK S/OPAQUE	FACE ROBIN.4GR THE NOIR SEMI-MAT	FRONTTEIL HAHN 4GR.THE SCHWARZ HALB
21	77849015	COPRICALDAIA JUN DIVINA INOX LUCIDO	SILV.BRIGHT STEEL JUN BOILER-COVER	CACHE-CHAUDIERE JUN INOX BRILLANT	KESSELDECKUNG JUN STAHL
21	77849016	COPRICALDAIA 1GR DIVINA INOX LUCIDO	SILV.BRIGHT STEEL 1GR BOILER-COVER	CACHE-CHAUDIERE 1GR INOX BRILLANT	STAHL-KESSELDECKUNG 1GR
21	77849017	COPRICALDAIA 2GR DIVINA INOX LUCIDO	SILV.BRIGHT STEEL 2GR BOILER-COVER	CACHE-CHAUDIERE 2GR INOX BRILLANT	STAHL-KESSELDECKUNG 2GR
21	77849018	COPRICALDAIA 3GR DIVINA INOX LUCIDO	SILV.BRIGHT STEEL 3GR BOILER-COVER	CACHE-CHAUDIERE 3GR INOX BRILLANT	STAHL-KESSELDECKUNG 3GR
21	77849019	COPRICALDAIA 4GR DIVINA INOX LUCIDO	SILV.BRIGHT STEEL 4GR BOILER-COVER	CACHE-CHAUDIERE 4GR INOX BRILLANT	STAHL-KESSELDECKUNG 4GR
22	77849025	COPRICALDAIA JUN DIVINA INOX/L CTS	STAINLESS STEEL/L JUN BOILER COVER	COUVRE-CHAUDIERE JUN INOX/L CTS	KESSELABDECKUNG JUN EDELSTAHL/L
22	77849026	COPRICALDAIA 1GR DIVINA INOX/L CTS	S/S BOILER COVER 1GR CTS	COUVRE-CHAUDIERE 1GR INOX/L CTS	KESSELABDECKUNG 1GR EDELSTAHL/L
22	77849027	COPRICALDAIA 2GR DIVINA INOX/L CTS	S/S BOILER COVER 2GR CTS	COUVRE-CHAUDIERE 2GR INOX/L CTS	KESSELABDECKUNG 2GR EDELSTAHL/L
22	77849028	COPRICALDAIA 3GR DIVINA INOX/L CTS	S/S BOILER COVER 3GR CTS	COUVRE-CHAUDIERE 3GR INOX/L CTS	KESSELABDECKUNG 3GR EDELSTAHL/L
22	77849029	COPRICALDAIA 4GR DIVINA INOX/L CTS	S/S BOILER COVER 4GR CTS	COUVRE-CHAUDIERE 4GR INOX/L CTS	KESSELABDECKUNG 4GR EDELSTAHL/L
23	21200	SEGNALIVELLO OVE TUV INCOLORE	LEVEL INDICATOR WINDOW OVE-TUV	INDICATEUR DE NIVEAU OVE-TUV	NIVEAUANZEIGER OVE-TUV
24	76152000	GRIGLIA INF.WN01 INOX LUC.316X201	LOWER GRILL 316X201 - SHINY S.STEEL	GRILLE INF.INOX 316X201	STAHL-UNTERGITTER 316X201
25	76153000	GRIGLIA INF.WN01 INOX LUC.456X201	LOWER GRILL 456X201 SHINY S.STEEL	GRILLE INF.INOX 456X201	STAHL-UNTERGITTER 456X201
26	76154000	GRIGLIA INF.DX WN01 IN/LUC.338.5X201	RIGHT LOWER GRILL -SHINY S.STEEL	GRILLE INF.DROIT INOX 338,5X201	STAHL-UNTER-RECHTEGITTER 338,5X201
26	76155000	GRIGLIA INF.SX WN01 IN/LUC.338.5X201	LEFT LOWER GRILL - SHINY S.STEEL	GRILLE INF.GAUCHE INOX 338,5X201	STAHL-UNTER-LINKEGITTER 338,5X201
27	76156000	GRIGLIA INF.WN01 INOX LUC. 253X201	LOWER GRILL 253X201 - SHINY S.STEEL	GRILLE INF.INOX 253X201	STAHL-UNTERGITTER 253X201
28	76098000	BACINELLA JUN DIVINA INOX LUCIDO	SILV.BRIGHT STEEL JUN TRAY	CUVE JUN INOX BRILLANT	STAHLSCHALE JUN
28	76098001	BACINELLA 1GR DIVINA INOX LUCIDO	SILV.BRIGHT STEEL 1GR TRAY	CUVE 1GR INOX BRILLANT	STAHLSCHALE 1GR
28	76098002	BACINELLA 2GR DIVINA INOX LUCIDO	SILV.BRIGHT STEEL 2GR TRAY	CUVE 2GR INOX BRILLANT	STAHLSCHALE 2GR
28	76098003	BACINELLA 3GR DIVINA INOX LUCIDO	SILV.BRIGHT STEEL 3GR TRAY	CUVE 3GR INOX BRILLANT	STAHLSCHALE 3GR
28	76098004	BACINELLA 4GR DIVINA INOX LUCIDO	SILV.BRIGHT STEEL 4GR TRAY	CUVE 4GR INOX BRILLANT	STAHLSCHALE 4GR
29	77454040	PROFILO BASAMENTO ANT.JUN DIVINA NERO S/	BLACK BASE PROFILE JUN	PROFIL BASE JUN NOIR	BASISPROFIL HIMMELBLAU JUN
29	77454050	PROF.BAS.ANT.1GR DIVINA NERO S/O	BLACK BASE PROFILE 1GR	PROFIL BASE 1GR NOIR	BASISPROFIL SCHWARZ 1GR
29	77454070	PROF.BAS.ANT.2GR DIVINA NERO S/O	BLACK BASE PROFILE 2GR	PROFIL BASE 2GR NOIR	BASISPROFIL SCHWARZ 2GR
29	77454090	PROF.BAS.ANT.3GR DIVINA NERO S/O	BLACK BASE PROFILE 3GR	PROFIL BASE 3GR NOIR	BASISPROFIL SCHWARZ 3GR
29	77454110	PROF.BAS.ANT.4GR DIVINA NERO S/O	BLACK BASE PROFILE 4GR	PROFIL BASE 4GR NOIR	BASISPROFIL SCHWARZ 4GR

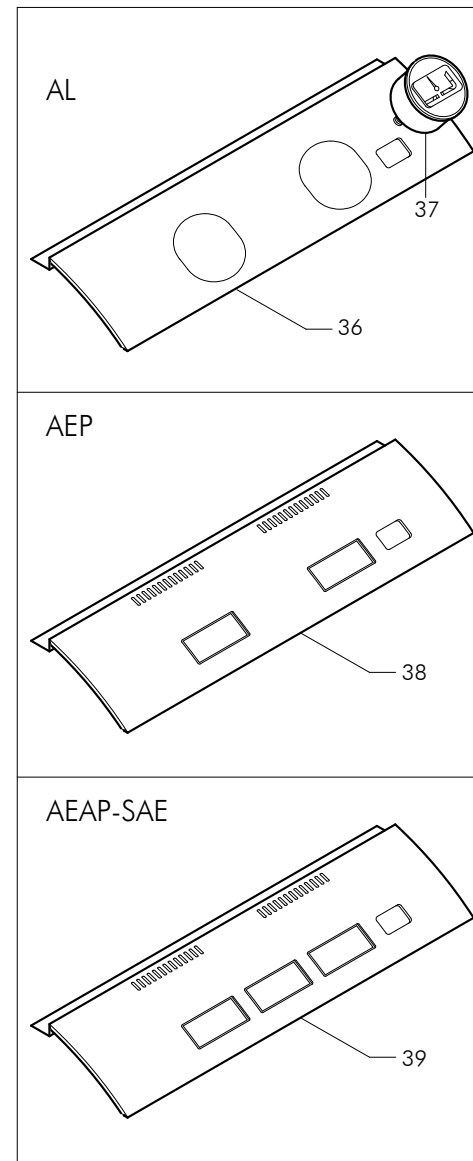


Pos	Cod.	Denominazione - IT -	Denomination - GB -	Denomination - FR -	Denomination - DE -
30	77454060	PROF.BAS.ANT.1GR DIVINA GAS NER-S/O	BLACK BASE PROFILE 1GR GAS	PROFIL BASE 1GR NOIR GAZ	BASISPROFIL 1GR GAS SCHWARZ
30	77454080	PROF.BAS.ANT.2GR DIVINA GAS NER-S/O	BLACK BASE PROFILE 2GR GAS	PROFIL BASE 2GR NOIR GAZ	BASISPROFIL SCHWARZ GAS 2GR
30	77454100	PROF.BAS.ANT.3GR DIVINA GAS NER-S/O	BLACK BASE PROFILE 3GR GAS	PROFIL BASE 3GR NOIR	BASISPROFIL SCHWARZ 3GR GAS
30	77454120	PROF.BAS.ANT.4GR DIVINA GAS NER-S/O	BLACK BASE PROFIL 4GR GAS	PROFIL BASE 4GR GAZ NOIR	BASISPROFIL 4GR GAS SCHWARZ
31	10471	MOLLA FERMA BACINELLA DV	DIVINA TRAY STOP SPRING	RESSORT ARRET BAC	FEDER F. BECKENBEFESTIGUNG
32	23420	VITE TE OTTONE M6X12 NICHELATA	M6X12NICKEL-PLATED BRASS HEX.HEAD SCREW	VIS TH LAITON M6X12 NICKEL	SECHSKANTSCHRAUBE AUS MESSING M6X12
33	15486002	TAPPO FORO INTERRUETTORE	SWITCH HOLE PLUG	CAPUCHON TROU INTERRUPT.	ABDECKUNG SCHALTERLOCH
34	15318	PIEDINO REGOLABILE INOX/SAT H55/69	ADJUSTABLE FOOT H55/69	PIED REGLABLE H55/69	REGELBARER FUSS H55/69
34	15321	PIEDINO REGOLABILE INOX/SAT H88/102	ADJUSTABLE FOOT H88/102	PIED REGLABLE H88/102	REGELBARER FUSS H88/102
35	77742	GUIDA DX BACINELLA TELAIIO DIVINA	GUIDE FOR TRAY	GUIDAGE CUVE	FUHRUNG SCHALE
36	70690000	FRONTONE MAN AL/1 DIVINA INOX	FRONT PANEL AL/1 S.STEEL	PANNEAU AL/1 INOX	STIRNTAFEL AL/1 STAHL
36	70690010	FRONTONE MAN.AL/2 DIVINA INOX	FRONT PANEL AL/2 S.STEEL	PANNEAU AL/2 INOX	STIRNTAFEL AL/2STAHL
36	70690020	FRONTONE MAN.AL/3 DIVINA INOX	FRONT PANEL AL/3 S.STEEL	PANNEAU AL/3 INOX	STIRNTAFEL AL/3 STAHL
36	70690030	FRONTONE MAN.AL/4 DIVINA INOX	FRONT PANEL AL/4 S.STEEL	PANNEAU AL/4 INOX	STIRNTAFEL AL/4 STAHL
37	21111	MANOMETRO QUADRO 3 ATM MOD B	SQUARE PRESSURE GAUGE 3 ATM "B"	MANOMETRE 3 ATM "B"	MANOMETER 3 ATM "B"
38	70690040	FRONTONE MAN.AEP-SAE/J DIVINA INOX	FRONT PANEL AEP-SAE/JUN S.STEEL	PANNEAU AEP-SAE/JUN INOX	STIRNTAFEL AEP-SAE/JUN STAHL
38	70690050	FRONTONE MAN.AEP/1 DIVINA INOX	FRONT PANEL AEP/1 S.STEEL	PANNEAU AEP/1 INOX	STIRNTAFEL AEP/1 STAHL
38	70690060	FRONTONE MAN.AEP/2 DIVINA INOX	FRONT PANEL AEP/2 S.STEEL	PANNEAU AEP/2 INOX	STIRNTAFEL AEP/2 STAHL
38	70690070	FRONTONE MAN.AEP/3 DIVINA INOX	FRONT PANEL AEP/3 S.STEEL	PANNEAU AEP/3 INOX	STIRNTAFEL AEP/3 STAHL
38	70690080	FRONTONE MAN.AEP/4 DIVINA INOX	FRONT PANEL AEP/4 S.STEEL	PANNEAU AEP/4 INOX	STIRNTAFEL AEP/4 STAHL
39	70690040	FRONTONE MAN.AEP-SAE/J DIVINA INOX	FRONT PANEL AEP-SAE/JUN S.STEEL	PANNEAU AEP-SAE/JUN INOX	STIRNTAFEL AEP-SAE/JUN STAHL
39	70690100	FRONTONE MAN.SAE/1 DIVINA INOX	FRONT PANEL SAE/1 S.STEEL	PANNEAU SAE/1 INOX	STIRNTAFEL SAE/1 STAHL
39	70690110	FRONTONE MAN.SAE/2 DIVINA INOX	FRONT PANEL SAE/2 S.STEEL	PANNEAU SAE/2 INOX	STIRNTAFEL SAE/2 STAHL
39	70690120	FRONTONE MAN.SAE/3 DIVINA INOX	FRONT PANEL SAE/3 S.STEEL	PANNEAU SAE/3 INOX	STIRNTAFEL SAE/3 STAHL
39	70690130	FRONTONE MAN.SAE/4 DIVINA INOX	FRONT PANEL SAE/4 S.STEEL	PANNEAU SAE/4 INOX	STIRNTAFEL SAE/4 STAHL
40	15373070	TAPPO ABS CROMATO FORO GAS	CHROMED KEY	BOUCHON CHROME COUVRE-TROU DU GAZ	CHROM TASTE

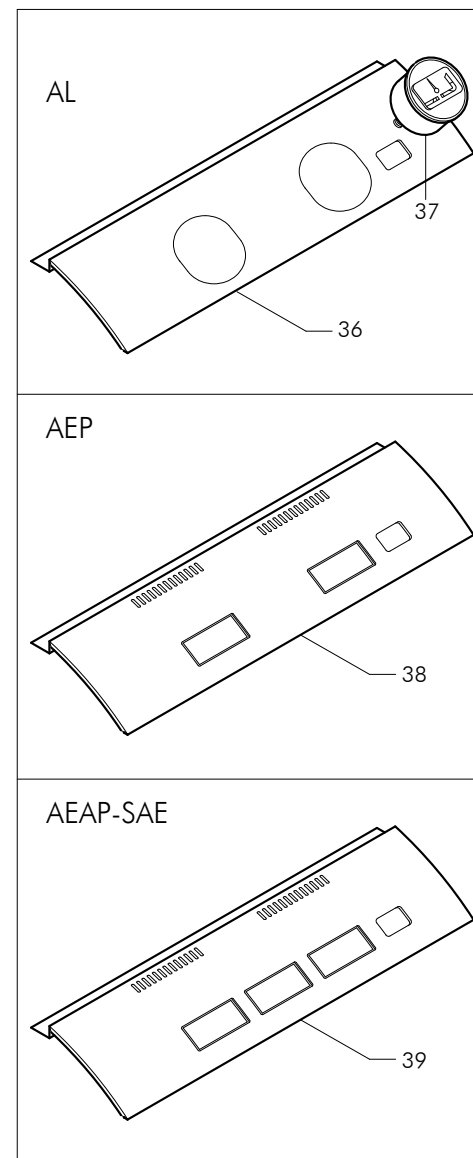
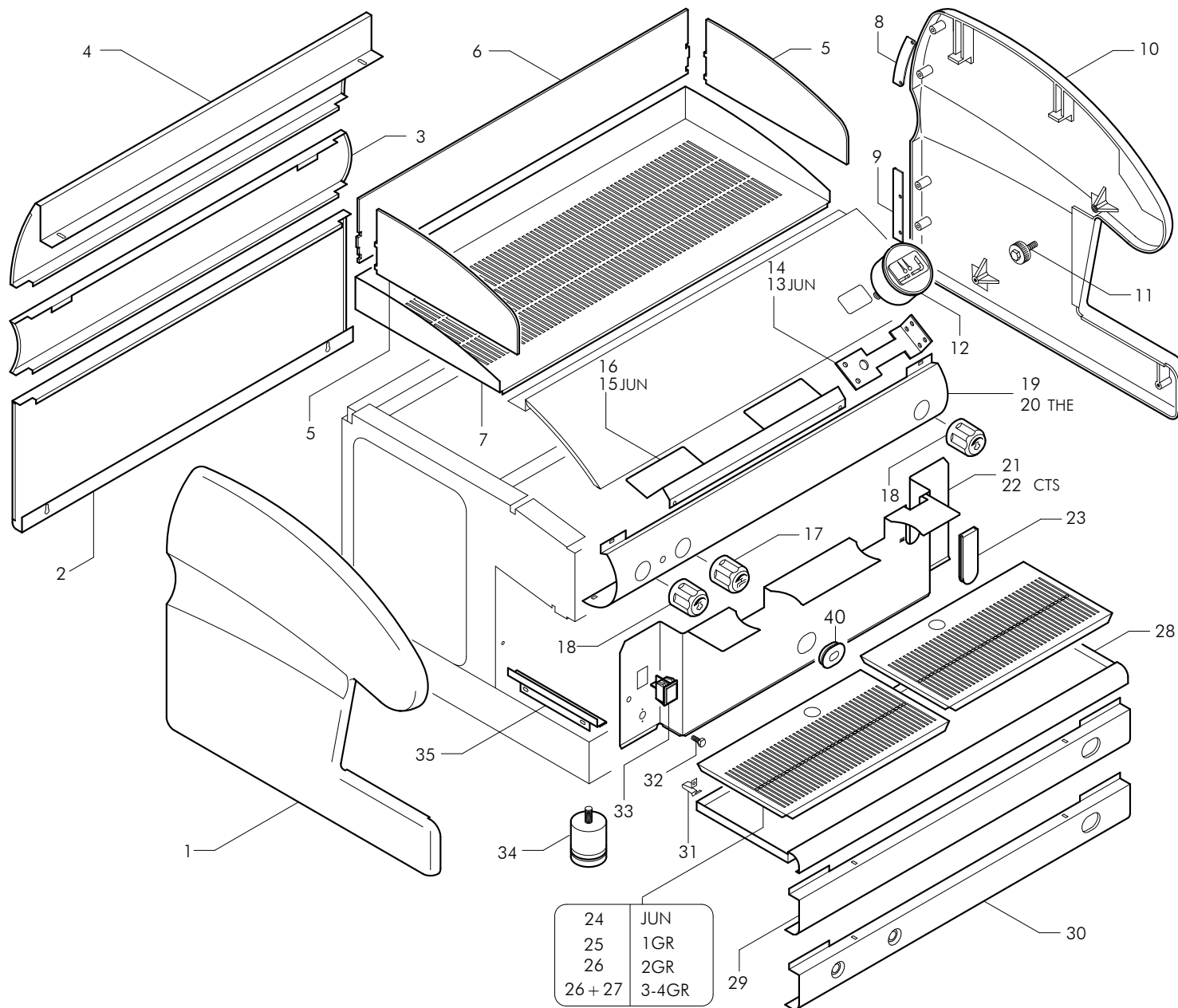




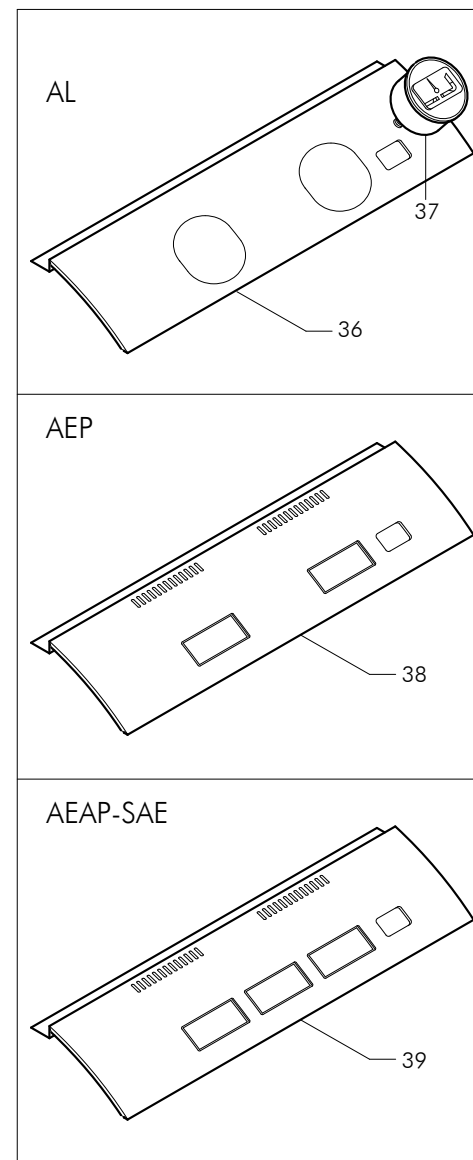
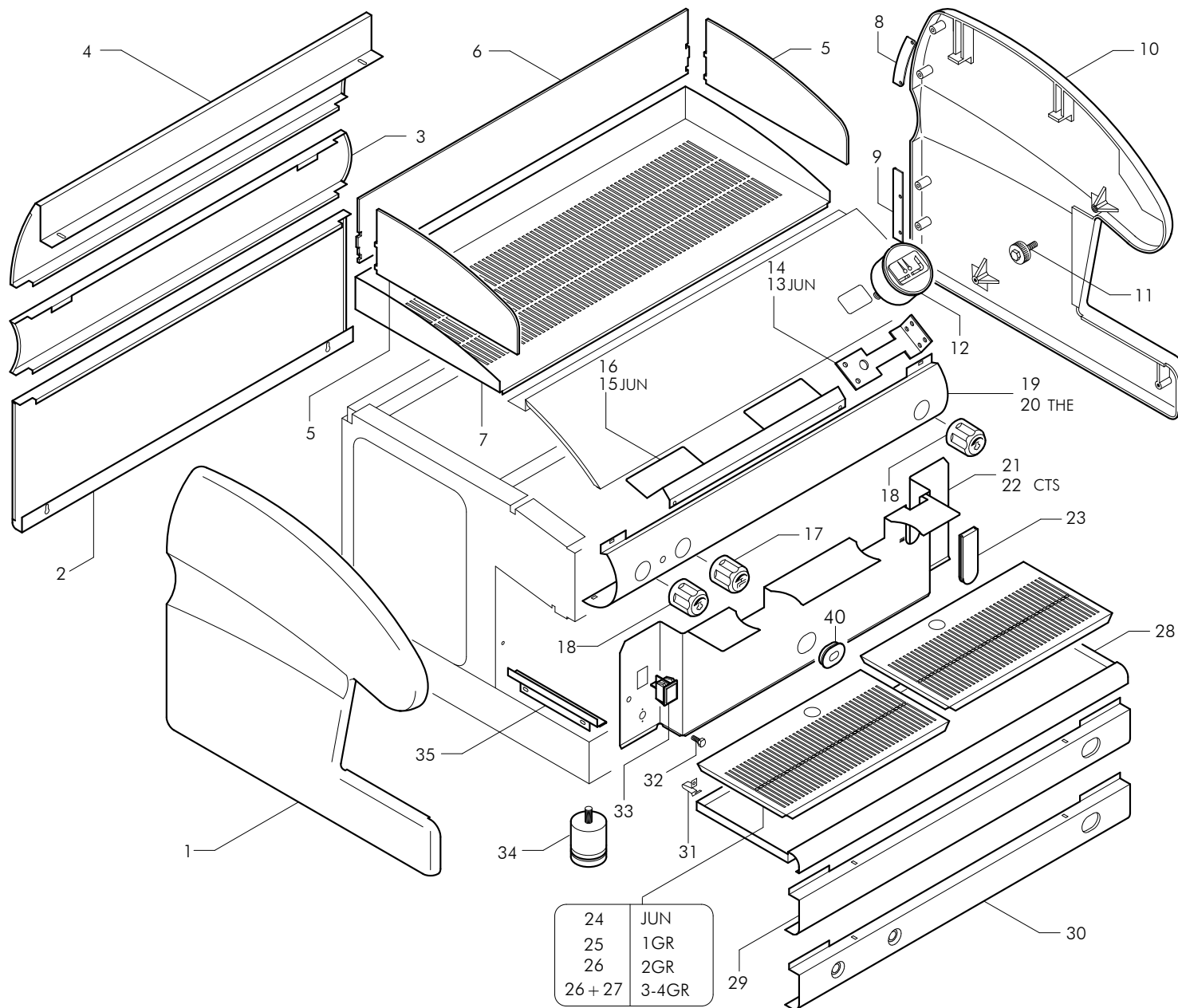
24	JUN
25	1GR
26	2GR
26 + 27	3-4GR



Pos	Cod.	Denominazione - IT -	Denomination - GB -	Denomination - FR -	Denomination - DE -
1	73130089	FIANCO SX DIVINA NERO/OTTONATO	DIVINA LEFT SIDE BLACK/GOLD	COTE GAUCHE DIVINA NOIR / COULEUR LAITON	LINKE SEITE SCHWARZ / FARBE MESSING
2	75269344	PANN.POST.INF.JUN DIVINA NERO S/O	BLACK LOWER REAR PANEL DIVINA JUN	PANN.ARR.BAS JUN NOIR	HINTERE UNTERE TAFEL JUN SCHWARZ
2	75269354	PANN.POST.INF.1GR DIVINA NERO S/O	BLACK REAR LOWER PANEL DIVINA 1GR	PANNEAU 1GR NOIR	1GR TAFEL SCHWARZ
2	75269364	PANN.POST.INF.2GR DIVINA NERO S/O	BLACK REAR LOWER PANEL DIVINA 2GR	PANNEAU 2GR NOIR	2GR TAFEL SCHWARZ
2	75269374	PANN.POST.INF.3GR DIVINA NERO S/O	BLACK REAR LOWER PANEL DIVINA 3GR	PANNEAU POST.INF. 3GR DIVINA NOIR	3GR TAFEL SCHWARZ
2	75269384	PANN.POST.INF.4GR DIVINA NERO S/O	BLACK REAR LOWER PANEL DIVINA 4GR	PANNEAU POST.INF. 4GR DIVINA NOIR	4GR TAFEL SCHWARZ
3	75269392	PANN.POST.CEN.JUN DIVINA OTTONATO	BLACK/GOLD CENTRAL REAR PANEL DIVINA JUN	PANNEAU CENTRAL JUN COULEUR LAITON	HINTERE MITTLERE TAFEL JUN FARBE MESSING
3	75269402	PANN.POST.CEN.1GR DIVINA OTTONATO	PANEL 1GR BRASS COLOUR	PANNEAU 1GR COULEUR LAITON	1GR TAFEL FARBE MESSING
3	75269412	PANN.POST.CEN.2GR DIVINA OTTONATO	BLACK LOWER REAR PANEL DIVINA 2GR	PANNEAU 2GR COULEUR LAITON	2GR TAFEL FARBE MESSING
3	75269422	PANN.POST.CEN.3GR DIVINA OTTONATO	PANEL 3GR BRASS COLOUR	PANNEAU 3GR COULEUR LAITON	3GR TAFEL FARBE MESSING
3	75269432	PANN.POST.CEN.4GR DIVINA OTTONATO	PANEL 4GR BRASS COLOUR	PANNEAU 4GR COULEUR LAITON	4GR TAFEL FARBE MESSING
4	75269444	PANN.POST.SUP.JUN DIVINA NERO S/O	BLACK TOP REAR PANEL DIVINA JUN	PANN.ARR.SUP. JUN NOIR	HINTERE OBERE TAFEL JUN SCHWARZ
4	75269454	PANN.POST.SUP.1GR DIVINA NERO S/O	TOP REAR PANEL BLACK 1 UNIT	PANN.ARR.HAUT 1GR DIVINA NOIR	HINTERE OBERE PLATTE 1GR SCHWARZ
4	75269464	PANN.POST.SUP.2GR DIVINA NERO S/O	BLACK TOP REAR PANEL DIVINA 2GR	PANNEAU 2GR NOIR	2GR TAFEL SCHWARZ
4	75269474	PANN.POST.SUP.3GR DIVINA NERO S/O	BLACK TOP REAR PANEL DIVINA 3GR	PANNEAU POST.SUP. 3GR DIVINA NOIR	3GR TAFEL SCHWARZ
4	75269484	PANN.POST.SUP.4GR DIVINA NERO S/O	UPPER BACK PANEL 4GR DIVINA BLACK	PANNEAU POST.SUP. 4GR DIVINA NOIR	HINTERE TAFEL OBER 4GR DIVINA SCHWARZ
5	21162060	PLEXIGLASS DX-SX DIVINA NERO	RIGHT-LEFT PANEL PLEXIGLAS DIVINA	PLEXIGLASS DROIT/GOUCHE DIVINA NOIR	LINKE/RECHTE PLEXIGLASS DIVINA
6	21162061	PLEXIGLASS POST. JUN DIVINA NERO	BACK PANEL PLEXIGLAS JUN BLACK	PLEXIGLASS POST.JUN NOIR	HINTERE PLEXIGLASS JUN SCHWARZ
6	21162062	PLEXIGLASS POST. 1GR DIVINA NERO	BACK PANEL PLEXIGLAS 1GR BLACK	PLEXIGLASS POST.1GR NOIR	HINTERE PLEXIGLASS 1GR SCHWARZ
6	21162063	PLEXIGLASS POST. 2GR DIVINA NERO	BACK PANEL PLEXIGLAS 2GR BLACK	PLEXIGLASS POST.2GR NOIR	HINTERE PLEXIGLASS 2GR SCHWARZ
6	21162064	PLEXIGLASS POST. 3GR DIVINA NERO	BACK PANEL PLEXIGLAS 3GR BLACK	PLEXIGLASS POST.3GR NOIR	HINTERE PLEXIGLASS 3GR SCHWARZ
6	21162065	PLEXIGLASS POST. 4GR DIVINA NERO	BACK PANEL PLEXIGLAS 4GR BLACK	PLEXIGLASS POST.4GR NOIR	HINTERE PLEXIGLASS 4GR SCHWARZ
7	76100030	GRIGLIA SUP.JUN DIVINA INOX LUCIDO	TOP GRATE JUN S.STEEL	GRILLE SUP. JUN INOX	OBERGITTER JUN
7	76100031	GRIGLIA SUP.1GR DIVINA INOX LUCIDO	TOP GRATE 1GR S.STEEL	GRILLE SUP. 1GR INOX	OBERGITTER 1GR
7	76100032	GRIGLIA SUP.2GR DIVINA INOX LUCIDO	TOP GRATE 2GR S.STEEL	GRILLE SUP. 2GR INOX	OBERGITTER 2GR
7	76100033	GRIGLIA SUP.3GR DIVINA INOX LUCIDO	TOP GRATE 3GR. S.STEEL	GRILLE SUP. 3GR INOX	OBERGITTER 3GR
7	76100034	GRIGLIA SUP.4GR DIVINA INOX LUCIDO	TOP GRATE 4GR S.STEEL	GRILLE SUP. 3GR INOX	OBERGITTER 4GR
8	77607003	STAFFA SUPERIORE FIANCO	TOP SIDE BRACKET	PLATINE SUPERIEURE COTE	OBERER BUECKEL SEITENBLLENDE
9	77607004	STAFFA INFERIORE FIANCO	BOTTOM SIDE BRACKET	PLATINE INFERIEURE COTE	UNTERER BUEGEL SEITENBLLENDE
10	73130088	FIANCO DX DIVINA NERO/OTTONATO	DIVINA RIGHT SIDE BLACK/GOLD	COTE DROIT NOIR / COULEUR LAITON	RECHTE SEITE SCHWARZ / FARBE MESSING
11	23100	POMELLO FISSAGGIO FIANCHETTO FE/Z	SIDE FIXING SCREW FE/Z	POMMEAU DE FIXAGE FE/Z	BEFESTIGUNGSGRIFF FE/Z
12	21109	MANOMETRO QUADRO DOPPIA SCALA	SQUARE GAUGE DOUBLE L. SCALE	MANOMETRE TABLEAU DOUBLE ECHELLE L.	MANOMETERTAFEL DOPPELSKAL
13	78150012	SUPPORTO MANOMETRO JUN DIVINA	SUPPORT PRESSURE-GAUGE JUN	SUPPORT MANOMETRE JUN	MANOMETERHALTER-AUSGABE JUN
14	78150013	SUPPORTO MANOMETRO 1>4GR	SUPPORT PRESSURE-GAUGE	SUPPORT MANOMETRE	MANOMETERHALTER- AUSGABE
15	77692210	PROTEZIONE PULSANTIERE JUN DIVINA	JUN PUSH BUTTON PANEL GUAR	PROTECTION CLAVIERS JUN DIVINA	SCHUTZ BEDIENBLLENDE JUN
16	77692211	PROTEZIONE PULSANTIERE 1GR DIVINA	PUSH BUTTON PANEL GUARD 1 GR	PROTECTION CLAVIERS 1GR DIVINA	SCHUTZ BEDIENBLLENDE 1GR
16	77692212	PROTEZIONE PULSANTIERE 2GR DIVINA	PUSH BUTTON PANEL GUARD 2GR	PROTECTION CLAVIERS 2GR DIVINA	SCHUTZ BEDIENBLLENDE 2GR
16	77692213	PROTEZIONE PULSANTIERE 3GR DIVINA	PUSH BUTTON PANEL GUARD 3GR	PROTECTION CLAVIERS 3GR DIVINA	SCHUTZ BEDIENBLLENDE 3GR
16	77692214	PROTEZIONE PULSANTIERE 4GR DIVINA	PUSH BUTTON PANEL GUARD 4GR	PROTECTION CLAVIERS 4GR DIVINA	SCHUTZ BEDIENBLLENDE 4GR



Pos	Cod.	Denominazione - IT -	Denomination - GB -	Denomination - FR -	Denomination - DE -
17	15264	MANOPOLA RUBINETTO H2O	WATER TAP KNOB	POIGNEE ROBINET EAU	WASSERHAHNGRIFF
18	15265	MANOPOLA RUBINETTO VAPORE	STEAM TAP KNOB	POIGNEE ROBINET VAPEUR	DAMPFHAHNGRIFF
19	70690140	FRONT.RUB.JUN DIVINA NERO S/OPACO	FRONT PANEL JUN BLACK	PANNEAU JUN NOIR	HAHNSTIRNTAFEL JUN SCHWARZ
19	70690160	FRONT.RUB.1GR DIVINA NERO S/OPACO	FRONT PANEL 1GR BLACK	PANNEAU 1GR NOIR	1GR STIRNTAFEL SCHWARZ
19	70690180	FRONT.RUB.2GR DIVINA NERO S/OPACO	FRONT PANEL 2GR BLACK	PANNEAU 2GR NOIR	2GR STIRNTAFEL SCHWARZ
19	70690200	FRONT.RUB.3GR DIVINA NERO S/OPACO	FRONT PANEL 3GR BLACK	PANNEAU 3GR NOIR	3GR STIRNTAFEL SCHWARZ
19	70690220	FRONT.RUB.4GR DIVINA NERO S/OPACO	FRONT PANEL 4GR BLACK	PANNEAU 4GR NOIR	4GR STIRNTAFEL SCHWARZ
20	70690170	FRONT.RUB.1GR THE DIVINA NERO S/OPA	FRONT PAN.1 TAP UNIT BLACK S/OPAQUE	FACE ROBIN.1GR THE NOIR SEMI-MAT	FRONTTEIL HAHN 1GR.THE SCHWARZ HALB
20	70690190	FRONT.RUB.2GR THE DIVINA NERO S/OPA	FRONT PAN.2 TAP UNIT BLACK S/OPAQUE	FACE ROBIN.2GR THE NOIR SEMI-MAT	FRONTTEIL HAHN 2GR.THE SCHWARZ HALB
20	70690210	FRONT.RUB.3GR THE DIVINA NERO S/OPA	FRONT PANEL 3GR BLACK	PANNEAU 3GR NOIR	3GR STIRNTAFEL SCHWARZ
20	70690230	FRONT.RUB.4GR THE DIVINA NERO S/OPA	FRONT PAN.4 TAP UNIT BLACK S/OPAQUE	FACE ROBIN.4GR THE NOIR SEMI-MAT	FRONTTEIL HAHN 4GR.THE SCHWARZ HALB
21	77849015	COPRICALDAIA JUN DIVINA INOX LUCIDO	SILV.BRIGHT STEEL JUN BOILER-COVER	CACHE-CHAUDIERE JUN INOX BRILLANT	KESSELDECKUNG JUN STAHL
21	77849016	COPRICALDAIA 1GR DIVINA INOX LUCIDO	SILV.BRIGHT STEEL 1GR BOILER-COVER	CACHE-CHAUDIERE 1GR INOX BRILLANT	STAHL-KESSELDECKUNG 1GR
21	77849017	COPRICALDAIA 2GR DIVINA INOX LUCIDO	SILV.BRIGHT STEEL 2GR BOILER-COVER	CACHE-CHAUDIERE 2GR INOX BRILLANT	STAHL-KESSELDECKUNG 2GR
21	77849018	COPRICALDAIA 3GR DIVINA INOX LUCIDO	SILV.BRIGHT STEEL 3GR BOILER-COVER	CACHE-CHAUDIERE 3GR INOX BRILLANT	STAHL-KESSELDECKUNG 3GR
21	77849019	COPRICALDAIA 4GR DIVINA INOX LUCIDO	SILV.BRIGHT STEEL 4GR BOILER-COVER	CACHE-CHAUDIERE 4GR INOX BRILLANT	STAHL-KESSELDECKUNG 4GR
22	77849025	COPRICALDAIA JUN DIVINA INOX/L CTS	STAINLESS STEEL/L JUN BOILER COVER	COUVRE-CHAUDIERE JUN INOX/L CTS	KESSELABDECKUNG JUN EDELSTAHL/L
22	77849026	COPRICALDAIA 1GR DIVINA INOX/L CTS	S/S BOILER COVER 1GR CTS	COUVRE-CHAUDIERE 1GR INOX/L CTS	KESSELABDECKUNG 1GR EDELSTAHL/L
22	77849027	COPRICALDAIA 2GR DIVINA INOX/L CTS	S/S BOILER COVER 2GR CTS	COUVRE-CHAUDIERE 2GR INOX/L CTS	KESSELABDECKUNG 2GR EDELSTAHL/L
22	77849028	COPRICALDAIA 3GR DIVINA INOX/L CTS	S/S BOILER COVER 3GR CTS	COUVRE-CHAUDIERE 3GR INOX/L CTS	KESSELABDECKUNG 3GR EDELSTAHL/L
22	77849029	COPRICALDAIA 4GR DIVINA INOX/L CTS	S/S BOILER COVER 4GR CTS	COUVRE-CHAUDIERE 4GR INOX/L CTS	KESSELABDECKUNG 4GR EDELSTAHL/L
23	21200	SEGNALIVELLO OVE TUV INCOLORE	LEVEL INDICATOR WINDOW OVE-TUV	INDICATEUR DE NIVEAU OVE-TUV	NIVEAUANZEIGER OVE-TUV
24	76152000	GRIGLIA INF.WN01 INOX LUC.316X201	LOWER GRILL 316X201 - SHINY S.STEEL	GRILLE INF.INOX 316X201	STAHL-UNTERGITTER 316X201
25	76153000	GRIGLIA INF.WN01 INOX LUC.456X201	LOWER GRILL 456X201 SHINY S.STEEL	GRILLE INF.INOX 456X201	STAHL-UNTERGITTER 456X201
26	76154000	GRIGLIA INF.DX WN01 IN/LUC.338.5X201	RIGHT LOWER GRILL -SHINY S.STEEL	GRILLE INF.DROIT INOX 338,5X201	STAHL-UNTER-RECHTEGITTER 338,5X201
26	76155000	GRIGLIA INF.SX WN01 IN/LUC.338.5X201	LEFT LOWER GRILL - SHINY S.STEEL	GRILLE INF.GAUCHE INOX 338,5X201	STAHL-UNTER-LINKEGITTER 338,5X201
27	76156000	GRIGLIA INF.WN01 INOX LUC. 253X201	LOWER GRILL 253X201 - SHINY S.STEEL	GRILLE INF.INOX 253X201	STAHL-UNTERGITTER 253X201
28	76098000	BACINELLA JUN DIVINA INOX LUCIDO	SILV.BRIGHT STEEL JUN TRAY	CUVE JUN INOX BRILLANT	STAHLSCHALE JUN
28	76098001	BACINELLA 1GR DIVINA INOX LUCIDO	SILV.BRIGHT STEEL 1GR TRAY	CUVE 1GR INOX BRILLANT	STAHLSCHALE 1GR
28	76098002	BACINELLA 2GR DIVINA INOX LUCIDO	SILV.BRIGHT STEEL 2GR TRAY	CUVE 2GR INOX BRILLANT	STAHLSCHALE 2GR
28	76098003	BACINELLA 3GR DIVINA INOX LUCIDO	SILV.BRIGHT STEEL 3GR TRAY	CUVE 3GR INOX BRILLANT	STAHLSCHALE 3GR
28	76098004	BACINELLA 4GR DIVINA INOX LUCIDO	SILV.BRIGHT STEEL 4GR TRAY	CUVE 4GR INOX BRILLANT	STAHLSCHALE 4GR
29	77454040	PROFILO BASAMENTO ANT.JUN DIVINA NERO S/	BLACK BASE PROFILE JUN	PROFIL BASE JUN NOIR	BASISPROFIL HIMMELBLAU JUN
29	77454050	PROF.BAS.ANT.1GR DIVINA NERO S/O	BLACK BASE PROFILE 1GR	PROFIL BASE 1GR NOIR	BASISPROFIL SCHWARZ 1GR
29	77454070	PROF.BAS.ANT.2GR DIVINA NERO S/O	BLACK BASE PROFILE 2GR	PROFIL BASE 2GR NOIR	BASISPROFIL SCHWARZ 2GR
29	77454090	PROF.BAS.ANT.3GR DIVINA NERO S/O	BLACK BASE PROFILE 3GR	PROFIL BASE 3GR NOIR	BASISPROFIL SCHWARZ 3GR
29	77454110	PROF.BAS.ANT.4GR DIVINA NERO S/O	BLACK BASE PROFILE 4GR	PROFIL BASE 4GR NOIR	BASISPROFIL SCHWARZ 4GR



Pos	Cod.	Denominazione - IT -	Denomination - GB -	Denomination - FR -	Denomination - DE -
30	77454060	PROF.BAS.ANT.1GR DIVINA GAS NER-S/O	BLACK BASE PROFILE 1GR GAS	PROFIL BASE 1GR NOIR GAZ	BASISPROFIL 1GR GAS SCHWARZ
30	77454080	PROF.BAS.ANT.2GR DIVINA GAS NER-S/O	BLACK BASE PROFILE 2GR GAS	PROFIL BASE 2GR NOIR GAZ	BASISPROFIL SCHWARZ GAS 2GR
30	77454100	PROF.BAS.ANT.3GR DIVINA GAS NER-S/O	BLACK BASE PROFILE 3GR GAS	PROFIL BASE 3GR NOIR	BASISPROFIL SCHWARZ 3GR GAS
30	77454120	PROF.BAS.ANT.4GR DIVINA GAS NER-S/O	BLACK BASE PROFIL 4GR GAS	PROFIL BASE 4GR GAZ NOIR	BASISPROFIL 4GR GAS SCHWARZ
31	10471	MOLLA FERMA BACINELLA DV	DIVINA TRAY STOP SPRING	RESSORT ARRET BAC	FEDER F. BECKENBEFESTIGUNG
32	23420	VITE TE OTTONE M6X12 NICHELATA	M6X12NICKEL-PLATED BRASS HEX.HEAD SCREW	VIS TH LAITON M6X12 NICKEL	SECHSKANTSCHRAUBE AUS MESSING M6X12
33	15486002	TAPPO FORO INTERRUOTORE	SWITCH HOLE PLUG	CAPUCHON TROU INTERRUPT.	ABDECKUNG SCHALTERLOCH
34	15318	PIEDINO REGOLABILE INOX/SAT H55/69	ADJUSTABLE FOOT H55/69	PIED REGLABLE H55/69	REGELBARER FUSS H55/69
34	15321	PIEDINO REGOLABILE INOX/SAT H88/102	ADJUSTABLE FOOT H88/102	PIED REGLABLE H88/102	REGELBARER FUSS H88/102
35	77742	GUIDA DX BACINELLA TELAIO DIVINA	GUIDE FOR TRAY	GUIDAGE CUVE	FUHRUNG SCHALE
36	70690000	FRONTONE MAN AL/1 DIVINA INOX	FRONT PANEL AL/1 S.STEEL	PANNEAU AL/1 INOX	STIRNTAFEL AL/1 STAHL
36	70690010	FRONTONE MAN.AL/2 DIVINA INOX	FRONT PANEL AL/2 S.STEEL	PANNEAU AL/2 INOX	STIRNTAFEL AL/2STAHL
36	70690020	FRONTONE MAN.AL/3 DIVINA INOX	FRONT PANEL AL/3 S.STEEL	PANNEAU AL/3 INOX	STIRNTAFEL AL/3 STAHL
36	70690030	FRONTONE MAN.AL/4 DIVINA INOX	FRONT PANEL AL/4 S.STEEL	PANNEAU AL/4 INOX	STIRNTAFEL AL/4 STAHL
37	21111	MANOMETRO QUADRO 3 ATM MOD B	SQUARE PRESSURE GAUGE 3 ATM "B"	MANOMETRE 3 ATM "B"	MANOMETER 3 ATM "B"
38	70690040	FRONTONE MAN.AEP-SAE/J DIVINA INOX	FRONT PANEL AEP-SAE/JUN S.STEEL	PANNEAU AEP-SAE/JUN INOX	STIRNTAFEL AEP-SAE/JUN STAHL
38	70690050	FRONTONE MAN.AEP/1 DIVINA INOX	FRONT PANEL AEP/1 S.STEEL	PANNEAU AEP/1 INOX	STIRNTAFEL AEP/1 STAHL
38	70690060	FRONTONE MAN.AEP/2 DIVINA INOX	FRONT PANEL AEP/2 S.STEEL	PANNEAU AEP/2 INOX	STIRNTAFEL AEP/2 STAHL
38	70690070	FRONTONE MAN.AEP/3 DIVINA INOX	FRONT PANEL AEP/3 S.STEEL	PANNEAU AEP/3 INOX	STIRNTAFEL AEP/3 STAHL
38	70690080	FRONTONE MAN.AEP/4 DIVINA INOX	FRONT PANEL AEP/4 S.STEEL	PANNEAU AEP/4 INOX	STIRNTAFEL AEP/4 STAHL
39	70690040	FRONTONE MAN.AEP-SAE/J DIVINA INOX	FRONT PANEL AEP-SAE/JUN S.STEEL	PANNEAU AEP-SAE/JUN INOX	STIRNTAFEL AEP-SAE/JUN STAHL
39	70690100	FRONTONE MAN.SAE/1 DIVINA INOX	FRONT PANEL SAE/1 S.STEEL	PANNEAU SAE/1 INOX	STIRNTAFEL SAE/1 STAHL
39	70690110	FRONTONE MAN.SAE/2 DIVINA INOX	FRONT PANEL SAE/2 S.STEEL	PANNEAU SAE/2 INOX	STIRNTAFEL SAE/2 STAHL
39	70690120	FRONTONE MAN.SAE/3 DIVINA INOX	FRONT PANEL SAE/3 S.STEEL	PANNEAU SAE/3 INOX	STIRNTAFEL SAE/3 STAHL
39	70690130	FRONTONE MAN.SAE/4 DIVINA INOX	FRONT PANEL SAE/4 S.STEEL	PANNEAU SAE/4 INOX	STIRNTAFEL SAE/4 STAHL
40	15373070	TAPPO ABS CROMATO FORO GAS	CHROMED KEY	BOUCHON CHROME COUVRE-TROU DU GAZ	CHROM TASTE

***PDV***

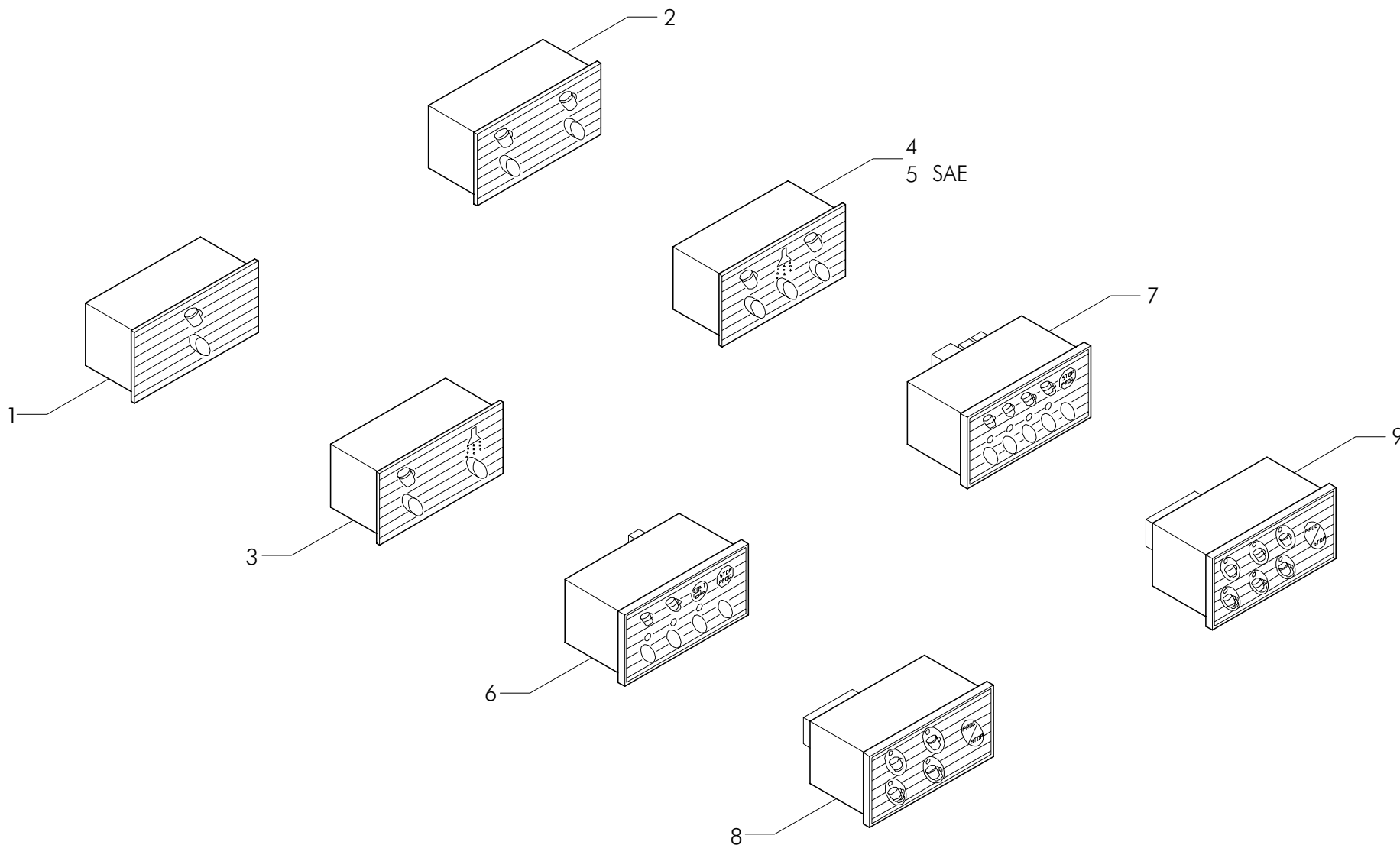
**INDICE - INDEX - SOMMAIRE - VERZEICHNIS**

**PDV-01**

**Pulsantiere - Pushbuttons  
Claviers - Tastaturen**

*Pulsantiere  
Pushbuttons  
Claviers  
Tastaturen*

***DIVINA***





Pos	Cod.	Denominazione - IT -	Denomination - GB -	Denomination - FR -	Denomination - DE -
1	18371017	PULSANTIERA 1T MANUALE DIVINA	DIVINA MANUAL 1T PUSH BUTTON	CLAVIER 1T MANUEL DIVINA	BEDIENBL.1 TASTE MANUELL
2	18371018	PULS. 2T MAN-MAN DIVINA	DIVINA MAN-MAN 2T PUSH BUTTON	CLAVIER 2T MAN-MAN DIVINA	BEDIENBL.2 TASTEN MAN-MAN
3	18371019	PULSANTIERA 2T MAN-H2O SAE DIVINA	SAE MAN-H2O 2T PUSH BUTTON	CLAVIER 2T MAN-EAU SAE DIVINA	BEDIENBL.2 TASTEN MAN-H2O SAE
4	18371021	PULSANTIERA 2T MAN-H2O AEP DIVINA	AEP MAN-H2O 2T PUSH BUTTON	CLAVIER 2T MAN-EAU AEP DIVINA	BEDIENBL.2 TASTEN MAN-H2O AEP
4	18371022	PULS. 3T MAN-H2O-MAN AEP DIVINA	AEP MAN-H2O-MAN 3T PUSH BUTTON	CLAVIER 3T MAN-EAU-MAN AEP DIVINA	BEDIENBL.3 TASTEN MAN-H2O-MAN AEP
5	18371019	PULSANTIERA 2T MAN-H2O SAE DIVINA	SAE MAN-H2O 2T PUSH BUTTON	CLAVIER 2T MAN-EAU SAE DIVINA	BEDIENBL.2 TASTEN MAN-H2O SAE
5	18371020	PULSANTIERA 3T MAN-H2O-MAN SAE DIVINA	SAE MAN-H2O-MAN 3T PUSH BUTTON	CLAVIER 3T MAN-EAU-MAN SAE DIVINA	BEDIENBL.3 TASTEN MAN-H2O-MAN SAE
6	21276	TIMER 220/240V 922056	TIMER 220/240V	TIMER 220/240V	TIMER 220/240V
6	21277	TIMER 110/120V	TIMER 110/120V	TIMER 110/120V	TIMER 110/120V
7	18371010	PULSANTIERA TH 230V DIVINA	TOUCH PAD TH 230V	CLAVIER A TOUCHES TH 230V	DRUCKNOPFTAFEL TH 230
7	18371011	PULSANTIERA TH 120V DIVINA 951763	TOUCH PAD TH 120V	CLAVIER A TOUCHES TH 120V	DRUCKNOPFTAFEL 120V
8	18371025	PULSANTIERA MEMBR. 5T SAE	PUSHPAD MEMBRANE 5T SAE	CLAVIER 5T SAE	TASTATUR 5T SAE
9	18371026	PULS.MEMBR. 7T SAE DIVINA	TOUCH-PAD 7T DIVINA/SAE	CLAVIER 7T SAE	TASTATUR 7T SAE

# ***RDV***

## ***INDICE - INDEX - SOMMAIRE - VERZEICHNIS***

rev.

***RDV-01***

Rubinetti **ACQUA** - Taps **WATER**  
Robinets **EAU** - **WASSERHAHN**

**00**  
05/2002

***RDV-02***

Rubinetti **VAPORE** - Taps **STEAM**  
Robinets **VAPEUR** - **DAMPFHAHN**

**01**  
04/2006

***RDV-03***

Acqua miscelata - Mixer for aut. water  
Mixage eau autom. - Aut. Mischung teewasser

**00**  
05/2002

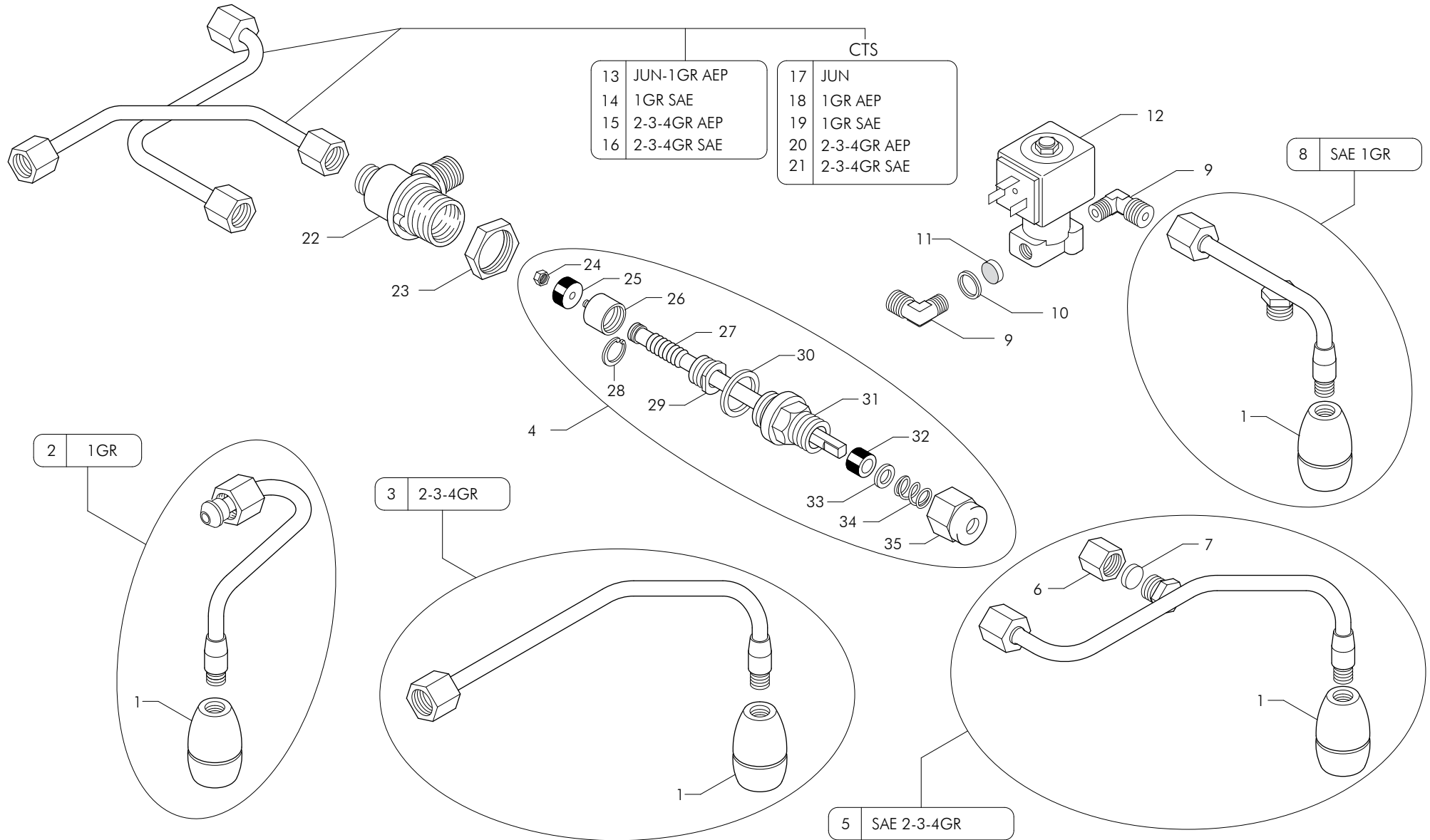
*Rubinetti  
acqua e vapore*

*Water and  
steam taps*

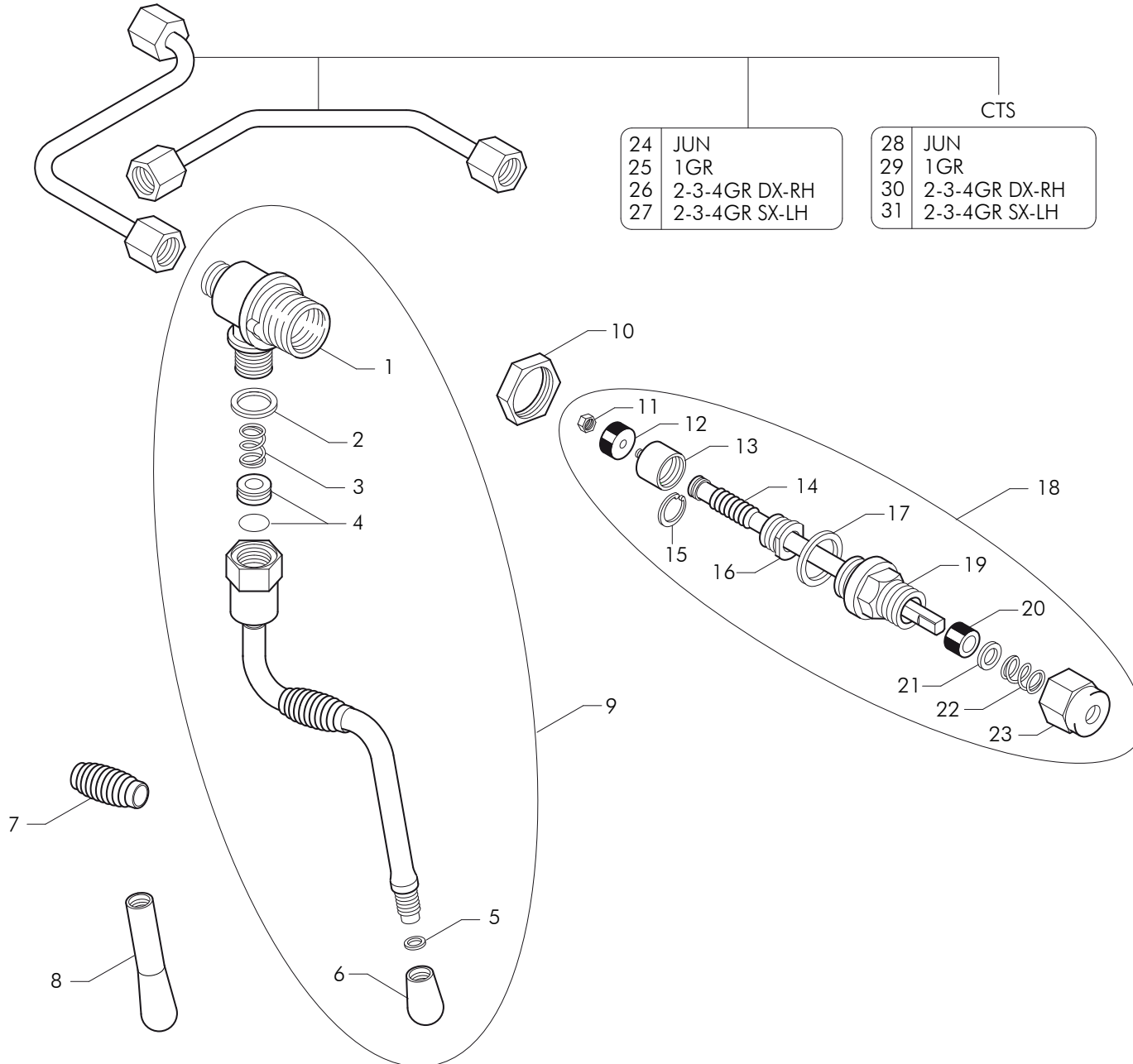
*Robinets eau et va-  
peur*

*Wasser-dampfhahn*

***DIVINA***

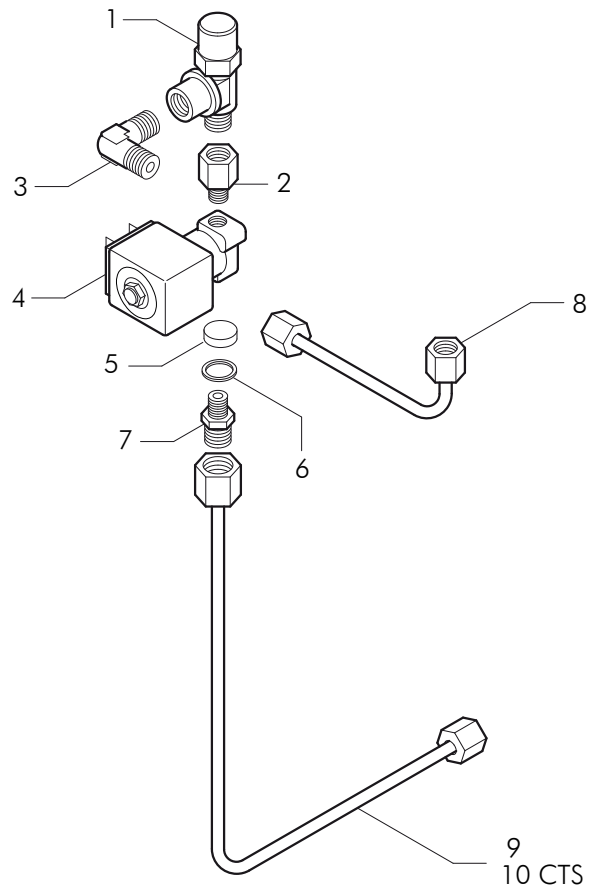


Pos	Cod.	Denominazione - IT -	Denomination - GB -	Denomination - FR -	Denomination - DE -
1	25763002	SPRUZZATORE H2O INOX FISSO	S.STEEL WATER NOZZLE	ATOMISEUR D' EAU INOX	WASSERDAMPFER
2	56119035	ASS.TUBO H2O FISSA DV 51	WATER PIPE DV51	TUYAU EAU DV51	ROHR WASSER DV51
3	56119033	ASS.TUBO H2O FISSA DV 22	WATER PIPE DV22	TUYAU EAU DV22	ROHR WASSER DV22
4	56102R	ASSIEME RUBINETTO H20/VAPORE *DE*	STEAM/WATER TAP UNIT *DE*	ROBINET EAU VAPEUR	WASSER/DAMPF HANHSATZ
5	56119034	ASS.TUBO H2O FISSA DV 39	WATER PIPE DV39	TUYAU EAU DV39	ROHR WASSER DV39
6	25782	TAPPO FEMMINA 1/4 GAS	1/4 GAS FEMALE TAP	BOUCHON FEMELLE 1/4 GAZ	INNENANSCHLUSSSTÖPSEL 1/4 GAS
7	12007	GUARNIZIONE KLINGERSIL4400	KLINGERSIL4400 COPPER SEAL	JOINT KLINGERSIL4400 POUR BOUCHON	DICHTUNG KLINGER SIL4400 X DECKEL
8	56119036	ASS.TUBO H2O FISSA DV 55	WATER PIPE DV55	TUYAU EAU DV55	ROHR WASSER DV55
9	23201	RACCORDO OTT.GOM.D6.2 1/4X1/8-AEA	ELBOW BRASS CONNECTOR D6.2 1/4X1/8	RACCORD COUDE LAITON D6.2 1/4X1/8	MESSING-ANSCHLUSS D6.2 1/4X1/8
10	12155	GUARNIZIONE CU 8.5X5X1	COPPER GASKET 8.5X5X1	JOINT CU 8.5X5X1	CU DICHTUNG 8.5X5X1
11	10251001	FILTRO IN ACCIAIO D-8 SP.0,3	STEEL FILTER D-8 - 0.3 THICK	FILTRE EN ACIER D-8 EP.0,3	STAHLFILTER D-8 SP.0,3
12	18162	ELETTRIVALVOLA 230V AEA VE140.2IR-C	SOL.VALVE WATER REFILL 230V PARKER	ELECTROVANNE REA 230V PARKER	ELEKTROVENTIL AWZ 230V PARKER
12	18195	ELETTRIVALVOLA 120V VE140.2IR VDE/UL	SOL.VALVE 120V PARKER VE140.2IR	ELECTROVANNE 120V PARKER VE140.2IR	MAGNETVENTIL 120V PARKER VE140.2IR
13	52000286	TUB.D-8 L.380 DV 87 CALDAIA > VAPORE	TUBE D-8 L.380	TUYAU D-8 L.380	ROHR D-8 L.380
14	52000295	TBS.D-8 L.255 DV 96 TBS.A 50/A > EV	TUBE D-8 L.255 DV96	TUYAU D-8 L.255 DV96	ROHR D-8 L.255 DV96
15	52000297	TUB.D-8 L.330 RUB.H2O 2-3GR DV 98	D-8 330 L PIPE DV 98	TUYAU D-8 L.330 DV 9	ROHR D. 8 L.330 DV 9
16	52000301	TBS.D-8 L.375 DV 102 TBS.A50 > EV	TUBE D-8 L.375 DV102	TUYAU D-8 L.375 DV102	ROHR D-8 L.375 DV102
17	52000281	TUB.D-8 L.250 DV 82 PESCANTE A 50/A	D-8 250 L PIPE DV 82	TUYAU D-8 L.250 DV 8	ROHR D. 8 L.250 DV 8
18	52000248	TUB.D-8 L.270 H2O 1GR DV 49 PESCANTE	D-8 270 L PIPE DV 49	TUYAU D-8 L.270 DV 4	ROHR D. 8 L.270 DV 4
19	52000253	TBS.D-8 L.155 THE 1GR DV 54 PESCANTE	D-8 155 L PIPE DV 54	TUYAU D-8 L.155 DV 5	ROHR D. 8 L.155 DV 5
20	52000218	TUB.D-8 L.370 H2O 2-3GR DV 19	D-8 370 L PIPE DV 19	TUYAU D-8 L.370 DV 1	ROHR D. 8 L.370 DV 1
21	52000237	TBS.D-8 L.295 THE 2-3GR DV 38	D-8 295 L PIPE DV 38	TUYAU D-8 L.295 DV 3	ROHR D. 8 L.295 DV 3
22	53003	CORPO RUBINETTO	TAP BODY	CORPS DE ROBINET	HAHNKÖRPER
23	25384	DADO OTTONE M26X1.5	BRASS NUT 26X1.5	ECROU LAITON 26X1.5	MESSING-MUTTER 26X1.5
24	23050	DADO OTTONE M3 UNI 5587	BRASS NUT M3 UNI 5587	ECROU LAITON M3 UNI 5587	MESSING-MUTTER M3 UNI 5587
25	12203	GUARNIZIONE GOMMA 15X4X4	RUBBER GASKET 15X4X4	JOINT EN CAOUTCHOUC 15X4X4	GUMMIDICHTUNG 15X4X4
26	25616	PISTONCINO RUBINETTO	TAP JUMPER	PISTON ROBINET	HAHNKOLBEN
27	25311	ASTA RUBINETTO L109 CROMATA	CHROMED TAP ROD 109L	TIGE ROBINET L109 CHROME	VERCHROMTE HAHNSTANGE L109
28	10001	ANELLO ARRESTO D6 INOX 316 DIN 6799	STEEL CIRCLIP 316 DIN 6799	CIRCLIP INOX 316 DIN 6799	STAHLHALTENRING 316 DIN 6799
29	25461	GHIERA RUBINETTO	TAP RING NUT	EMBOUT ROBINET	HAHNZWINGE
30	12158	GUARNIZIONE CU RUB.26X20.5X2	26X20.5X2 COPPER SEAL	JOINT CUIVRE 3/8 22X17X1.5	KUPFERDICHTUNG 3/8 22X17X1.5
31	25678001	RACCORDO RUBINETTO	TAP FITTING	RACCORD ROBINET	HAHNANSCHLUSSTUCK
32	12204	GUARNIZIONE GOMMA RUBINETTO H20/VAP	W/S TAP RUBBER GASKET 12.5X7.5X9	JOINT CAOUTCHOUC ROB. EAU/VAP	HAHNDICHTUNG W/D 12.5X7.5X9
33	25655	RONDELLA RUBINETTO	TAP WASHER	RONDELLE ROBINET	HAHNSCHEIBE
34	10452	MOLLA RUBINETTO H20/VAPORE N4	WATER/STEAM TAP SPRING N4	RESSORT DE ROBINET EAU-VAPEUR N4	WASSER/DAMPF HAHNFEDER N4
35	25385	DADO PREMISTOPPA RUBINETTO	TAP STUFFING NUT	ECROU DE PRESSE-ETOUPE ROBINET	STOPFBUCHSE MUTTER - HAHN

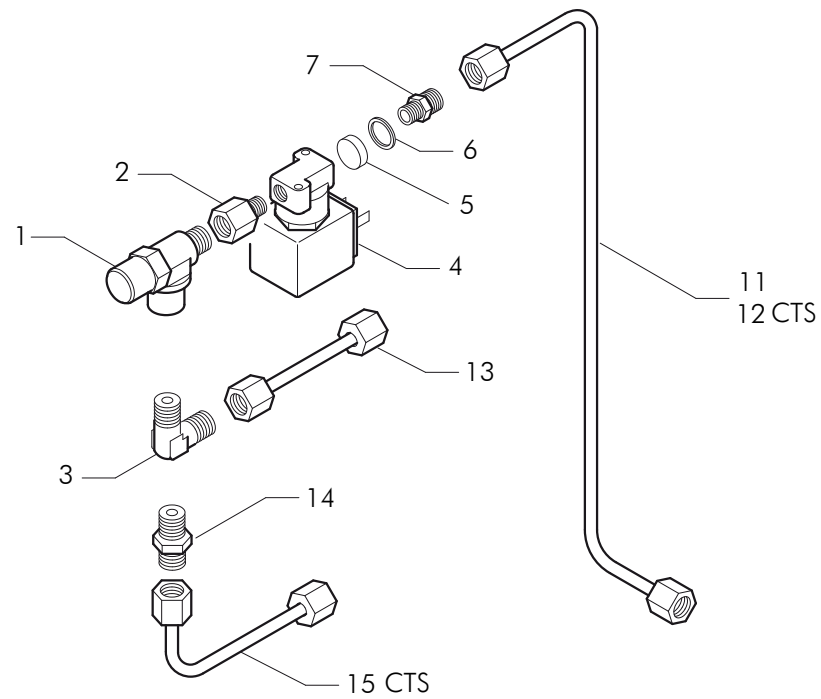


Pos	Cod.	Denominazione - IT -	Denomination - GB -	Denomination - FR -	Denomination - DE -
1	<b>53003</b>	CORPO RUBINETTO	TAP BODY	CORPS DE ROBINET	HAHNKÖRPER
2	<b>12010</b>	GUARNIZIONE TEFLON X H2O/VAP 21X17X2	W/S PIPE GASKET TEFLON 21X17X2	JOINT TUYAU TEFLON 21X17X2	TEFLON-DICHTUNG X H2O/VAP 21X17X2 CNN
3	<b>10465</b>	MOLLA DE 11,5 DF1,5 AISI 302 DV/SP	STAINLESS ST.STEAM PIPE SPRING	RESSORT TUYAU VAP. INOX D.10	FEDER DAMPFROHR EDELSTAHL D. 10
4	<b>12661</b>	GUARNIZ. OR CON LUNETTA P.MOLLA	OR REST FOR ST.STEEL STEAM PIPE	OR LUNETTE P.RESSORT TUYAU VAP. INO	HALBE OR-DICHT.F.FEDER DAMPFROHR ED
5	<b>12662</b>	GUARNIZ. ALL.SPRUZZATORE VAP.INX D.10	ALUM.SEAL FOR ST.STEEL STEAM	JOINT ALU GICLEUR VAP. INOX D.10	ALUMINIUMDICHT.DAMPFSTR.EDELSTAHL D.10
6	<b>25763003</b>	SPRUZZATORE VAPORE INOX X TUBO D.10	S.STEEL STEAM NOZZLE	ATOMISEUR VAPEUR INOX POUR TUYAU	STAHLDAMPFDUSE INOX X TUBO D.10
7	<b>15296001</b>	GOMMINO ANTISCOT.RA X TUBO VAP.D10	ANTI-BURNING RUBBER EL. FOR STEAM PIPE	ELEMENT ANTI-BRULURE POUR TUYAU VAP.	GUMMI GEGEN VERBRENNUNGEN F. DAMPFROHR D
8	<b>25763007</b>	PROLUNGA VAPORI INOX	EXTENSION	PROLONGE	VERLANGERUNG
9	<b>25763306</b>	TUBO ASS.VAP.INOX ITALIA	STEEL STEAM PIPE ITALY	TUYAU VAPEUR INOX ITALY	STAHL DAMPFROHRSATZ ITALY
9	<b>56119160</b>	ASS.TUBO VAPORE INOX	STEEL STEAM PIPE	TUYAU VAPEUR INOX	STAHL DAMPFROHRSATZ
10	<b>25384</b>	DADO OTTONE M26X1.5	BRASS NUT 26X1.5	ECROU LAITON 26X1.5	MESSING-MUTTER 26X1.5
11	<b>23050</b>	DADO OTTONE M3 UNI 5587	BRASS NUT M3 UNI 5587	ECROU LAITON M3 UNI 5587	MESSING-MUTTER M3 UNI 5587
12	<b>12203</b>	GUARNIZIONE GOMMA 15X4X4	RUBBER GASKET 15X4X4	JOINT EN CAOUTCHOUC 15X4X4	GUMMIDICHTUNG 15X4X4
13	<b>25616</b>	PISTONCINO RUBINETTO	TAP JUMPER	PISTON ROBINET	HAHNKOLBEN
14	<b>25311</b>	ASTA RUBINETTO L109 CROMATA	CHROMED TAP ROD 109L	TIGE ROBINET L109 CHROME	VERCHROMTE HAHNSTANGE L109
15	<b>10001</b>	ANELLO ARRESTO D6 INOX 316 DIN 6799	STEEL CIRCLIP 316 DIN 6799	CIRCLIP INOX 316 DIN 6799	STAHLHALTENRING 316 DIN 6799
16	<b>25461</b>	GHIERA RUBINETTO	TAP RING NUT	EMBOUT ROBINET	HAHNZWINGE
17	<b>12158</b>	GUARNIZIONE CU RUB.26X20.5X2	3/8 22X17X1.5 COPPER SEAL	JOINT CUIVRE 3/8 22X17X1.5	KUPFERDICHTUNG 3/8 22X17X1.5
18	<b>56102</b>	ASSIEME RUBINETTO H2O/VAPORE	WATER/STEAM TAP UNIT	ENS.ROBINET EAU/VAPEUR	WASSER/DAMPF HAHNSATZ
19	<b>25678001</b>	RACCORDO RUBINETTO	TAP FITTING	RACCORD ROBINET	HAHNANSCHLUSSTUCK
20	<b>12204</b>	GUARNIZIONE GOMMA RUBINETTO H2O/VAP	W/S TAP RUBBER GASKET 12.5X7.5X9	JOINT CAOUTCHOUC ROB. EAU/VAP 12.5	HAHNDICHTUNG W/D 12.5X7.5X9
21	<b>25655</b>	RONDELLA RUBINETTO	TAP WASHER	RONDELLE ROBINET	HAHNSCHEIBE
22	<b>10452</b>	MOLLA RUBINETTO H2O/VAPORE N4	WATER/STEAM TAP SPRING N4	RESSORT DE ROBINET EAU-VAPEUR N4	WASSER/DAMPF HAHNFEDER N4
23	<b>25385</b>	DADO PREMISTOPPA RUBINETTO	TAP STUFFING NUT	ECROU DE PRESSE-ETOUPE ROBINET	STOPFBUCHSE MUTTER - HAHN
24	<b>52000287</b>	TUB.D-8 L.370 RUB.H2O JUN DV 88	D-8 370 L PIPE DV 88	TUYAU D-8 L.370 DV 8	ROHR D. 8 L.370 DV 8
25	<b>52000292</b>	TUB.D-8 L.435 RUB.VAP.1GR DV 93	D-8 435 L PIPE DV 93	TUYAU D-8 L.435 DV 9	ROHR D. 8 L.435 DV 9
26	<b>52000296</b>	TUB.D-8 L.330 VAP.1-2-3GR DV 97	D-8 330 L PIPE DV 97	TUYAU D-8 L.330 DV 9	ROHR D. 8 L.330 DV 9
27	<b>52000298</b>	TUB.D-8 L.370 VAP.1-2-3GR DV 99	D-8 370 L PIPE DV 99	TUYAU D-8 L.370 DV 9	ROHR D. 8 L.370 DV 9
28	<b>52000280</b>	TUB.D-8 L.255 DV 81 CALDAIA	D-8 255 L PIPE DV 81	TUYAU D-8 L.255 DV 8	ROHR D. 8 L.255 DV 8
29	<b>52000247</b>	TUB.D-8 L.290 DV 48 CALDAIA	D-8 290 L PIPE DV 48	TUYAU D-8 L.290 DV 4	ROHR D. 8 L.290 DV 4
30	<b>52000217</b>	TUB.D-8 L.320 DV 18 CALDAIA	D-8 320 L PIPE DV 18	TUYAU D-8 L.320 DV 1	ROHR D. 8 L.320 DV 1
31	<b>52000219</b>	TUB.D-8 L.280 DV 20 CALDAIA	D-8 280 L PIPE DV 20	TUYAU D-8 L.280 DV 2	ROHR D. 8 L.280 DV 2

JUN-1GR



2-3-4GR



Pos	Cod.	Denominazione - IT -	Denomination - GB -	Denomination - FR -	Denomination - DE -
1	<b>25715001</b>	RACCORDO MISCELATORE GRUPPI ITALIA	ITALIA MIXER FITTING	RACC. MELANGEUR GROUPES ITALIA	ANSCHLUSS MISCHER EINHEITEN
2	<b>25743</b>	RIDUZIONE 1/4FX1/8M V.A.R.	REDUCTION 1/4FX1/8M V.A.R.	REDUCTION 1/4FX1/8M V.A.R.	REDUKTION 1/4FX1/8M V.A.R.
3	<b>23203</b>	RACCORDO OTT.GOM.D6.2 1/4X1/4 CON	ELBOW BRASS CONNECTOR D6.2 1/4X1/4	RACCORD COUDE LAITON D6.2 1/4X1/4	MESSING-ANSCHLUSS D6.2 1/4X1/4
4	<b>18162</b>	ELETTROVAL. 230V AEA VE140.2IR VDE/UL	SOL.VALVE WATER REFILL 230V PARKER	ELECTROVANNE REA 230V PARKER	ELEKTROVENTIL AWZ 230V PARKER
4	<b>18195</b>	ELETTROVAL. 120V VE140.2IR VDE/UL PAR	SOLENOID VALVE SCEM 2/2 110V 60HZ	ELECTROVANNE SCEM 2/2 110V 60HZ	MAGNETVENTIL SCEM 2/2 110V 60HZ
5	<b>10251001</b>	FILTRO IN ACCIAIO D-8 SP.0,3	STEEL FILTER D-8 - 0.3 THICK	FILTRE EN ACIER D-8 EP.0,3	STAHLFILTER D-8 SP.0,3
6	<b>12155</b>	GUARNIZIONE CU 8.5X5X1	COPPER GASKET 8.5X5X1	JOINT CU 8.5X5X1	CU DICHTUNG 8.5X5X1
7	<b>25707</b>	RACCORDO 1/8X1/4	CONNECTOR 1/8X1/4	RACCORD 1/8X1/4	ANSCHLUSS 1/8X1/4
8	<b>52000334</b>	TBS.D-6 L.130 DV 55/B EV MIX	D-6 130 L PIPE DV 55/B	TUYAU D-6 L.130 DV 55/	ROHR D. 6 L.130 DV 55/
9	<b>52001453</b>	TUB.D-6 L.520 1GR THE MISC.	TUBE D-6 L.520 1GR AR54/A	TUYAU D-6 L.520 1GR AR54/A	ROHR D-6 L.520 1GR AR54/A
10	<b>52000331</b>	TUB.D-6 L.415 DV 42/B DV 42/A	D-6 415 L PIPE DV 42/B	TUYAU D-6 L.415 DV 42/	ROHR D. 6 L.415 DV 42/
11	<b>52000227</b>	TUB.D-6 L.375 2GR DV 28 TUBETTO	D-6 375 L PIPE DV 28	TUYAU D-6 L.375 DV 2	ROHR D. 6 L.375 DV 2
11	<b>52000328</b>	TUB.D-6 L.545 3GR DV 37/A	D-6 545 L PIPE DV 37/A	TUYAU D-6 L.545 DV 37/	ROHR D. 6 L.545 DV 37/
11	<b>52000329</b>	TUB.D-6 L.740 4GR DV 37/B	D-6 740 L 4GR PIPE DV 37/B	TUYAU D-6 L.740 4GR DV 37/	ROHR D. 6 L.740 4GR DV 37/
12	<b>52001447</b>	TUBO D-6 L.435	TUBE D-6 L.435	TUYAU D-6 L.435	ROHR D-6 L.435
12	<b>52001461</b>	TUBO D-6 L.655	TUBE D-6 L.655	TUYAU D-6 L.655	ROHR D-6 L.655
12	<b>52001473</b>	TBS.D-6 L.740 4GR THE MISC.	TUBE D-6 L.740 4GR AR94	TUYAU D-6 L.740 4GR AR94	ROHR D-6 L.740 4GR AR94
13	<b>52001428</b>	TBS.D-6 L.50 2GR THE MISC AR/53	D-6 50 L PIPE 2GR TEA MIX AR/53	TUYAU D-6 L.50 2GR THE MISC AR/53	ROHR D-6 L.50 2GR THE MISC AR/53
14	<b>25686</b>	RACCORDO 1/4X1/4 FLANGIA	CONNECTOR 1/4 X 1/4 FLANGE	RACCORD 1/4 X 1/4 BRIDE	ANSCHLUSS 1/4X1/4 FLANSCH
15	<b>52000204</b>	TBS.D-6 L.60 DV 5 TUB. DV39	TUBE D-6 L.60 DV5	TUYAU D-6 L.60 DV5	ROHR D-6 L.60 DV5



# INDICE - INDEX - SOMMAIRE - VERZEICHNIS

# ACC

**ACC-03**

FILTRI e PORTAFILTRI - FILTERS and FILTERS HOLDER  
FILTRES et PORTE FILTRES - FILTER und FILTERHALTER

rev.

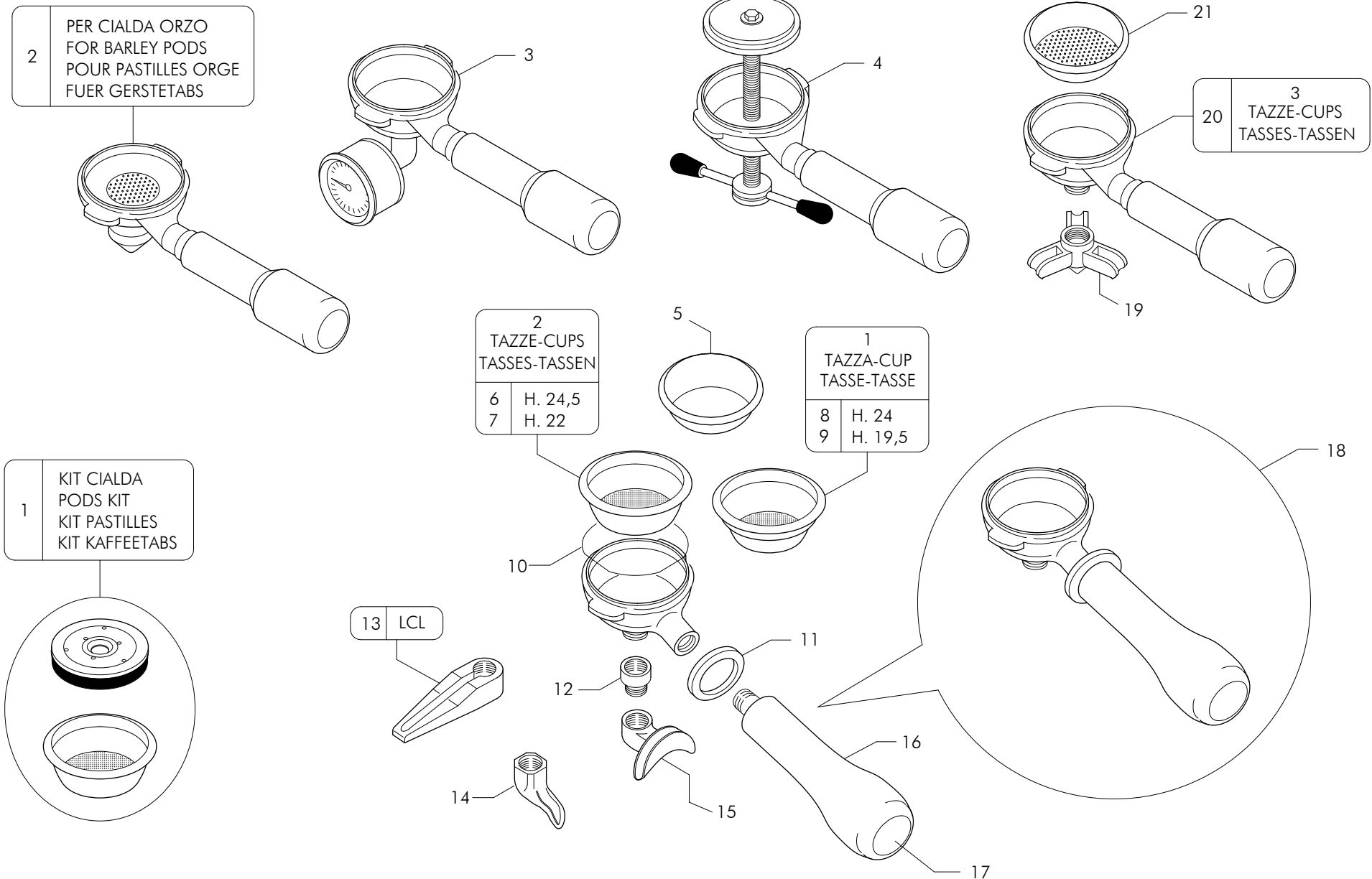
**01**  
05/2007

**FILTRI e  
PORTAFILTRI**

**FILTERS and  
FILTERS HOLDER**

**FILTRES et  
PORTE FILTRES**

**FILTER und  
FILTERHALTER**



Pos	Cod.	Denominazione - IT -	Denomination - GB -	Denomination - FR -	Denomination - DE -
1	80126999R	KIT ADATTATORE X CIALDA 1 TAZZA	1 CUP POD ADAPTOR KIT	KIT ADAPTATEUR POUR PASTILLES 1 TASSE	KIT FUER KAFFEETABS
1	83250007R	KIT ADATTATORE X CIALDE 2 TAZZE	2 CUPS POD ADAPTOR KIT	KIT ADAPTATEUR POUR PASTILLES 2 TASSES	KIT FUER DOPPELTABS
2	27311100	PORTAFILTRO COMPLETO PER CIALDA ORZO	FILTER HOLDER FOR BARLEY PODS	PORTE FILTRE POUR PASTILLE ORGE	FILTERHALTER FUER GERSTETABS
3	56009901	PORTAFILTRO X MACCHINE EROGAZIONE	FILTER HOLDER FOR SEMI AUTO MACHINES	PORTE-FILTRE AVEC MANOMETRE	FILTERHALTER FUER FILTERPROBE
3	56009902	PORTAFILTRO PROVA MACCHINE A LEVA	FILTER HOLDER - LEVER MACHINES	PORTEFILTRE MANOMETRE TESTER PRESSION	FITERHALTER FUER FILTERPROBE AL
4	65002	ESTRATTORE PER GRUPPO A LEVA	EXTRACTOR FOR LEVER GROUP	EXTRACTEUR POUR GROUPE A LEVIER	ABZIEHER FUR HEBELGRUPPE
5	27173	FILTRO INOX 2 TAZZE CIECO	2 CUP STAINLESS STEEL BLIND FILTER	FILTRE INOX 2 TASSES AVEUGLE	GESCHLOSSENER FILTER 2 TASSEN
6	27171	FILTRO INOX 2 TAZZE H.24,5 E/61 + CAN.	E/61 2 CUP STAINLESS STEEL FILTER H24,5	FILTRE INOX 2 TASSES E/61 H.24,5 + RIG.	EDELSTAHL-FILTER 2 TASSEN E/61 H.24,5
7	27176	FILTRO INOX 2 TAZZE H.22 + CANALINO	2 CUP STAINLESS STEEL FILTER H.22	FILTRE INOX 2 TASSES H.22 + RIGOLE	EDELSTAHL-FILTER 2 TASSEN H.22 +
8	27142	FILTRO INOX 1 TAZZA E/61 H.24+ CANALINO	E/61 1 CUP STAINLESS STEEL FILTER	FILTRE INOX 1 TASSE E/61 H.24+ RIGOLE	EDELSTAHL-FILTER 1 TASSE E/61 H.24+FUE
9	27146	FILTRO INOX 1 TAZZA H.19,5 + CANALINO	H.19,5 1 CUP STAINLESS STEEL FILTER	FILTRE INOX 1 TASSE H.19,5 + RIGOLE	EDELSTAHL-FILTER 1 TASSE H.19,5 +
10	27254	MOLLA FERMAFILTRO D-1,4	FILTER CLAMP SPRING D-1,4	RESSORT BLOCAGE-FILTRE D-1,4	FILTERHALTEFEDER D-1,4
11	15296010	GHIERA ANTISCOTTATURA MANOPOLA	ANTI-SCORCH PLASTIC RING	RONDELLE ANTI-BRULURE POUR POIGNEE	RING FUER SIEBTRAEGER
12	27060201	PROLUNGA BECCUCCIO 1/2 TAZZE	EXTENSION SPOUT	PROLONGE BEC	VERLANGERUNG
13	27032002	BECCUCCIO OTT/NI 1 TAZZA ALLUNGATO LCL	BRASS SPOUT LONG CUPS LCL	BEC LAITON LONG LCL	AUSLAUF 1 TASSE LATTE MACCHIATO
14	27032001	BECCUCCIO OTT/NI 1 TAZZA	BRASS SPOUT/NI 1 LONG CUP	BEC LAITON/NICKELE 1 TASSE LONG	AUSGUSS MESSING/NICKEL 1 TASSE LANG
15	27042001	BECCUCCIO OTT/NI 2 TAZZE	2 CUPS BRASS/NICKEL SPOUT	BEC 2 TASSES LAITON/NICKEL	MESSING/NICK. SCHNABEL FÜR 2 TASSEN
16	15263010	MANOPOLA PORTAFILTRO NERA+INSERTO M12	FILTER HOLDER KNOB	POIGNEE PORTE-FILTRE	FILTERHALTER GRIFF
17	15486006	TAPPO MANOPOLA PORTAFILTRO CROMATO	CAP FILTER HOLDER KNOB	BOUCHON POIGNEE PORTE-FILTRE	GRIFFVERSCHLUSS FILTERHALTER
18	27311000	PORTAFILTRO LAV.+ CROM.+MANOPOLA	FILTER HOLDER UNIT	ENSEMBLE PORTE-FILTRE	FILTERHALTER SATZ
19	27050	BECCUCCIO OTT/NI 3 TAZZE CORTO	BRASS SPOUT/NI 3 SHORT CUPS	BEC LAITON/NICKELE 3 TASSES COU	AUSGUSS OTT/NI 3 TASSEN KURZ
20	27304	PORTAFILTRO	FILTER SUPPORT	PORTE-FILTRE	FILTERHALTERUNG
21	27190	FILTRO INOX 3 TAZZE 304/28	3 CUP STAINLESS STEEL FILTER 304/28	FILTRE INOX 3 TASSES 304/28	ROSTFREIER FILTER 3 TASSEN 304/28

**Gruppo C.T.S.**  
**C.T.S. group**  
**Groupe C.T.S.**  
**C.T.S. Gruppe**

---

**GRE-30**

C.T.S.

rev.

**00**  
*05/2002*

rev.

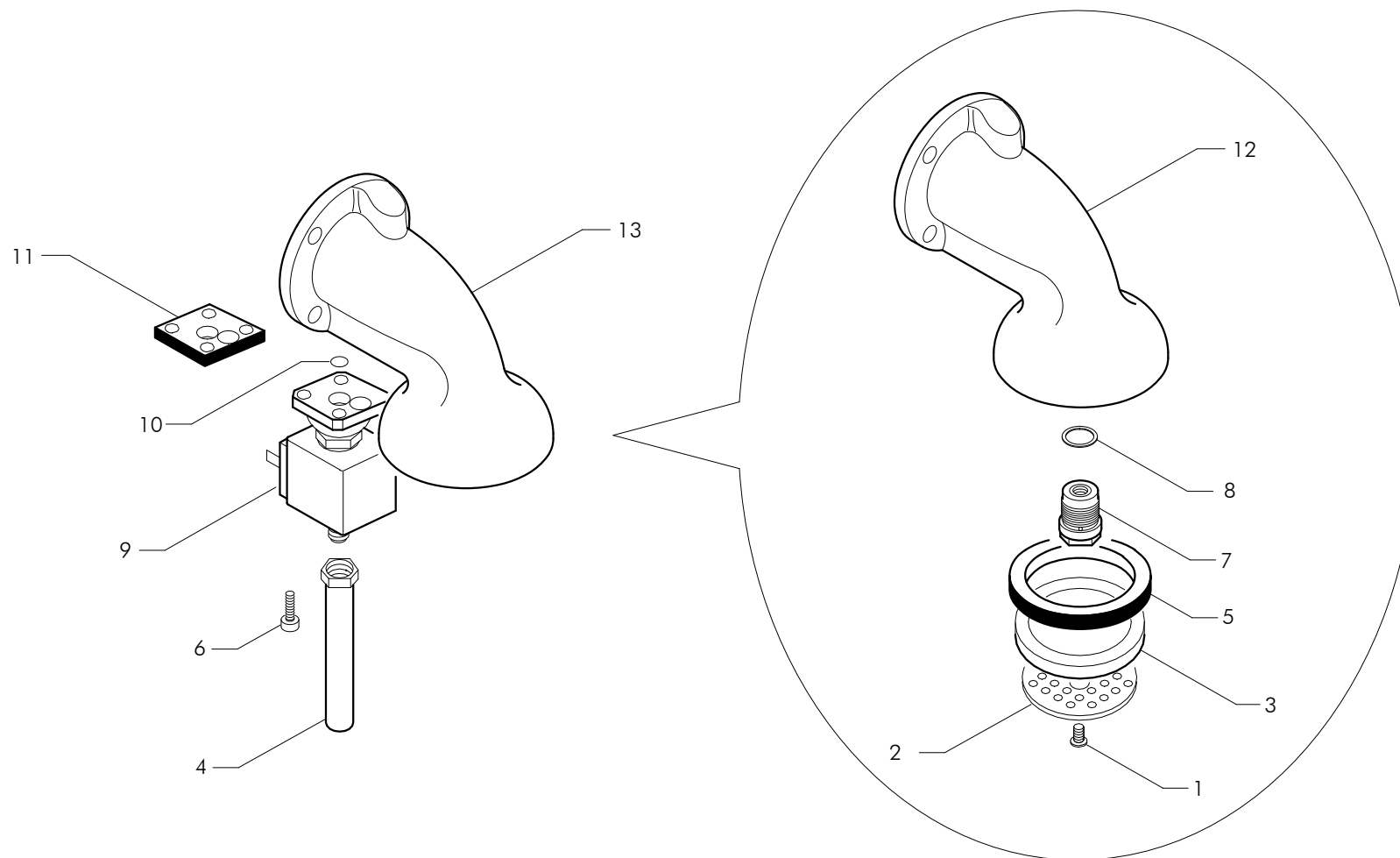
**01**  
*10/2003*

rev.

**02**  
*06/2006*

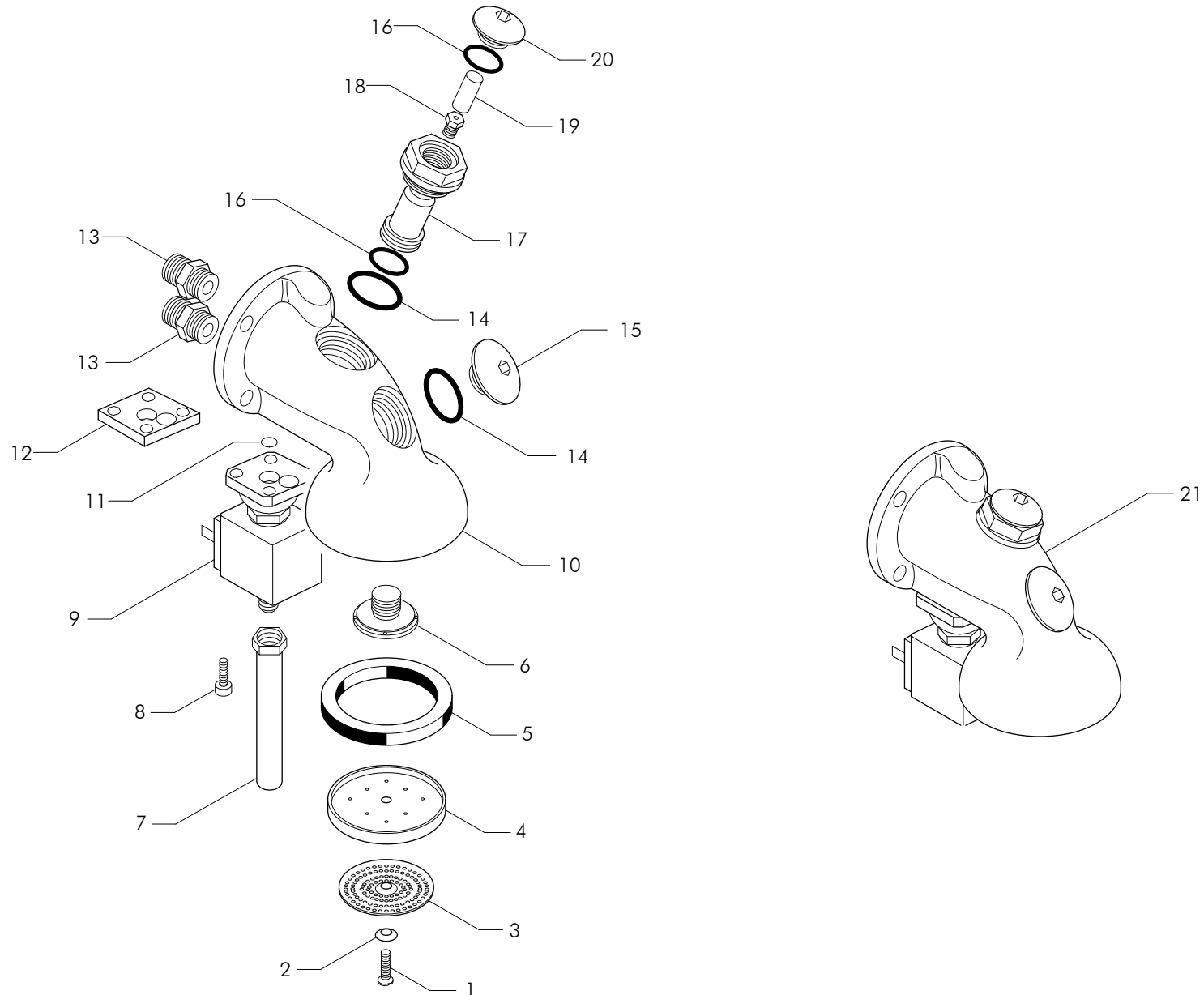
rev.

**03**  
*02/2009*



Pos	Cod.	Denominazione - IT -	Denomination - GB -	Denomination - FR -	Denomination - DE -
1	23510	VITE TPS INOX 5X14 TAGLIO CACC.	5X14 STAINLESS STEEL FLATHEAD SCREW	VIS TPS INOX 5X14 DE TOURNEVIS	SCHRAUBE TPS ROSTFREI5X14 SCHRAUBEN
2	27100	DOCCETTA GRUPPO ER 51.9	GROUP SHOWER PLATE 51.9	DOUCHETTE GROUPE ER 51.9	DUSCHE VERTEILEREINHEIT 51.9
3	25627	PORTADOCSETTA GRUPPO EROGAZIONE	WATER SPOUT UNIT SUPPORT	PORTE-DOUCHETTE GROUPE DISTRIBUTION	DUSCHTRÄGER VERSORGUNGSEINHEIT
4	52000168	TBS.D-12 L.92 1-4GR RACCORDO SCARICO	TUBE D-12 L.92 1-4GR	TUYAU D-12 L.92 1-4GR	ROHR D-12 L.92 1-4GR
5	12215	GUARNIZ.GOMMA S.COPPA 72X56X8.5 MAGG.	LARGER SIZED FILTER SUPPORT RUBBER	JOINT CAOUTCHOUC SOUCOUCPE 72X56X8.5	FILTERHALTER-GUMMIDICHTUNG 72X56X8 GROSS
5	12217	GUARNIZ.GOMMA S.COPPA 72X56X8 NORMALE	STANDARD SIZE FILTER SUPPORT GASKET	JOINT CAOUTCHOUC SOUCOUCPE 72X56X8 N	FILTERHALTER-GUMMIDICHTUNG 72X56X8 NORMAL
6	23560	VITE TCEI INOX 4X16	SCREW TCCE S.STEEL 4X16	VIS TCCE INOX 4X16	STAHLSCHRAUBE TCCE 4X16
7	25739500	PORTAGIGLER GRUPPO CTS	CTS GIGLER HOLDER UNIT	PORTE-GIGLEUR GROUPE CTS	GICLEURHALTER EINHEIT CTS
8	12012001	GUARNIZIONE TEFLON 15X11X2 RACC.	15X11X2 TEFLON SEAL GIGLERHOLDER FI	JOINT TEFLON 15X11X2 RACC.P.GICLEUR	TEFLONDICHT.15X11X2 ANSCHL.GICLEUR
9	18150	ELETTROVALVOLA GRUPPO 110V 50-60HZ	GROUP SOLENOID VALVE 110/50-60	ELECTROVANNE GROUPE 110/50-60	GRUPPENMAGNETVENTIL 110/50-60
9	18151	ELETTROVALVOLA GRUPPO 220/240V 50-60HZ	GROUP SOLENOID VALVE 220/240 50-60	ELECTROVANNE GROUPE 220/240 50-60	GRUPPENMAGNETVENTIL 220/240 50-60
9	18161996	ELETTROVALVOLA GRUPPO 230V VE128IRA.5	GRP.SOL.VALVE VE128IRA5 230V UL/ETL	ELECTROVAN. GR.VE128IRA.5 ZB09 230V	ELEKTR.EINHEIT VE128IRA.5 ZB09 230V UR ETL
9	18161997	ELETTROVALVOLA GRUPPO 115V VE128IRA.5	GRP.SOL.VALVE VE 128IRA.5 115V UR ETL	ELEC.VANNE GR.VE128IRA.5 115V UR ETL	GRUPPEVENTIL VE128IRA.5 115V UR ETL
10	12305	GUARNIZIONE OR 105 GR.ELETT.HNBR 70SH	O RING SEAL 105 GREEN SOLENOI	JOINT OR 105 GR. ELECT.	O-RINGDICHT. 105 EKELTR. EINHEIT
11	12013	GUARNIZIONE PTFE LV 2030 ELETTROVALVOLA	GASKET FOR SOLENOID VALVE GR PTFE	JOINT POUR ELECTROVANNE GR PTFE	MAGNETVENTILDICHT.GR PTFE LV 2030
12	25368001	CORPO GRUPPO ER CIRC.TERMOSIFONICA	THERMOSIPH.CIRCUL.ER UNIT BODY	CORPS GR.DISTRICIRC.A THERMOSI.	KÖRPER ABGABEEINHEIT HEIZKÖRPER-ZIR
13	56082107	GRUPPO CTS NEUTRO	NEUTRAL CTS GROUP	GROUPE CTS NEUTRE	GRUPPE CTS NEUTRAL

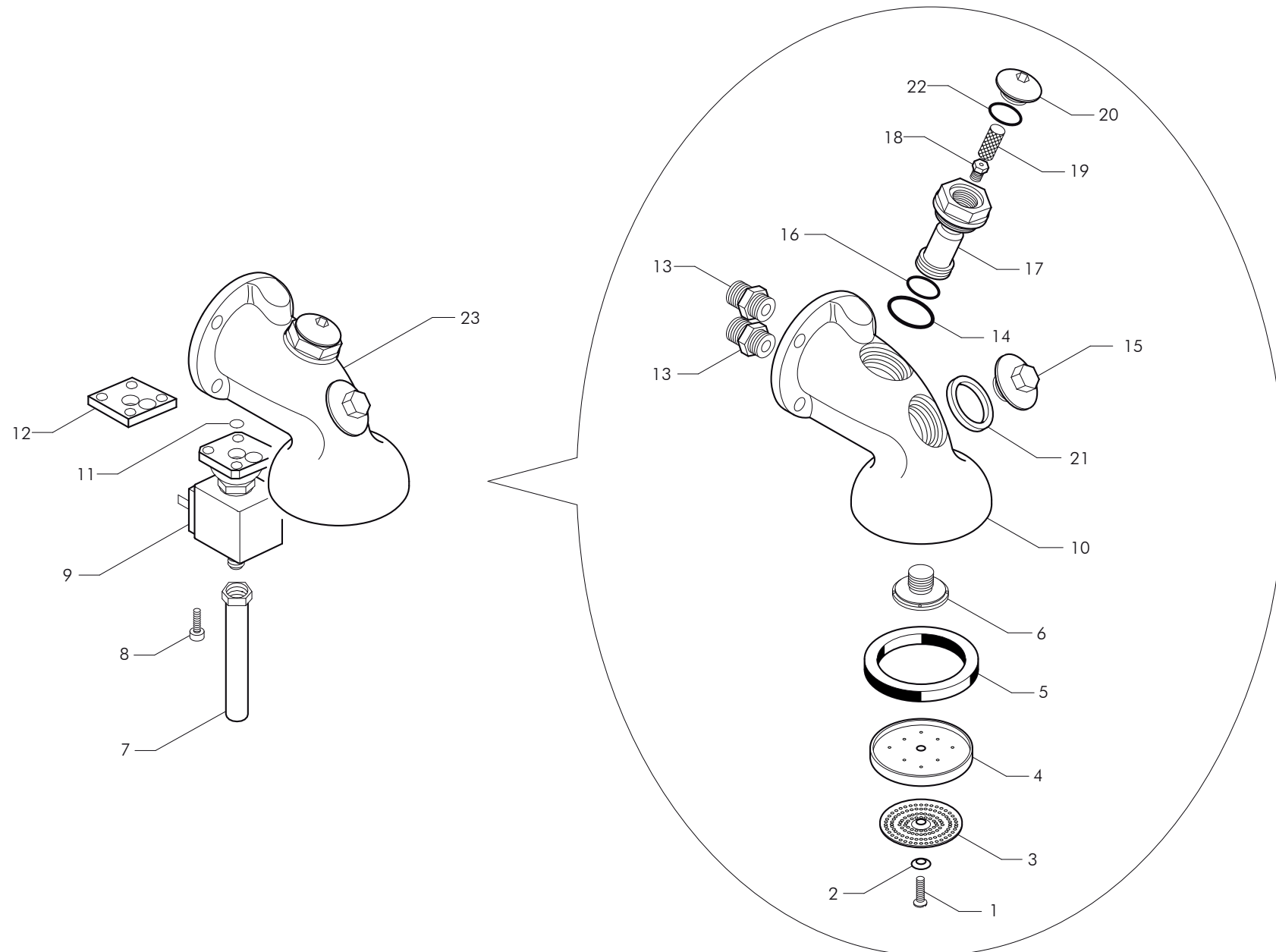




Pos	Cod.	Denominazione - IT -	Denomination - GB -	Denomination - FR -	Denomination - DE -
1	23514	VITE TPS INOX 5X20 TAGLIO CACC.	5X20 STAINLESS STEEL FLATHEAD SCREW	VIS TPS INOX 5X20 DE TOURNEVIS	SCHRAUBE TPS ROSTFREI5X20 SCHRAUBEN
2	23260014	RONDELLA INOX 12X5 DOCCETTA	INOX WASHER 12X5	RONDELLE INOX 12X5 DOUCHETTE	STAHL SCHEIBE 12X5 DUSCHE
3	27100	DOCCETTA GRUPPO ER 51.9	GROUP SHOWER PLATE 51.9	DOUCHETTE GROUPE ER 51.9	DUSCHE VERTEILEREINHEIT 51.9
4	25627	PORTADOCSETTA GRUPPO EROGAZIONE	WATER SPOUT UNIT SUPPORT	PORTE-DOUCHETTE GROUPE DISTRIBUTION	DUSCHTRÄGER VERSORGUNGSEINHEIT
5	12215	GUARNIZ.GOMMA S.COPPA 72X56X8.5 MAGG.	LARGER SIZED FILTER SUPPORT RUBBER	JOINT CAOUTCHOUC SOUCOUBE 72X56X8.5	FILTERHALTER-GUMMIDICHTUNG 72X56X8 GROSS
5	12217	GUARNIZ. GOMMA S.COPPA 72X56X8 NORMALE	STANDARD SIZE FILTER SUPPORT GASKET	JOINT CAOUTCHOUC SOUCOUBE 72X56X8 N	FILTERHALTER-GUMMIDICHTUNG 72X56X8 NORMAL
6	25422008	DIFFUSORE GRUPPO CTS 03	GROUP DIFFUSER	DIFFUSEUR GROUPE	GRUPPE VERTEILER
7	52000168	TBS.D-12 L.92 1-4GR RACCORDO SCARICO	TUBE D-12 L.92 1-4GR	TUYAU D-12 L.92 1-4GR	ROHR D-12 L.92 1-4GR
8	23560	VITE TCEI INOX 4X16	SCREW TCCE S.STEEL 4X16	VIS TCCE INOX 4X16	STAHLSCHRAUBE TCCE 4X16
9	18150	ELETTROVALVOLA GRUPPO 110V 50-60HZ	GROUP SOLENOID VALVE 110/50-60	ELECTROVANNE GROUPE 110/50-60	GRUPPENMAGNETVENTIL 110/50-60
9	18151	ELETTROVALVOLA GRUPPO 220/240V 50-60HZ	GROUP SOLENOID VALVE 220/240 50-60	ELECTROVANNE GROUPE 220/240 50-60	GRUPPENMAGNETVENTIL 220/240 50-60
10	25368005	CORPO GRUPPO ER CIRC.TERMOSIFONICA 03	CTS 03 UNIT BODY	CORP GR. CTS 03	CTS 03 KORPER
11	12305	GUARNIZIONE OR 105 GR.ELETT.HNBR 70SH	O RING SEAL 105 GREEN SOLENOI	JOINT OR 105 GR. ELECT.	O-RINGDICHT. 105 EKELTR. EINHEIT
12	12013	GUARNIZIONE PTFE LV 2030 ELETTROVALVOLA	GASKET FOR SOLENOID VALVE GR PTFE	JOINT POUR ELECTROVANNE GR PTFE	MAGNETVENTILDICHT.GR PTFE LV 2030
13	25687002	RACCORDO 3/8X3/8 GAS GRP CTS 03	CONNECTOR 3/8X3/8 CTS 03 UNIT	RACCORD 3/8X3/8 GR. CTS 03	ANSCHLUSS 3/8X3/8 CTS 03
14	12336001	GUARNIZIONE ORM 0250-40 NBR DI25X4	GASKET ORM 0250-40 HNBR 70SH	JOINT ORM 0250-40 HNBR 70SH	DICHTUNG ORM 0250-40 HNBR 70SH
15	25789305	TAPPO CAMERA PREINFUSIONE GRUPPO CTS 03	CAP GROUP JET	BOUCHON GIGLEUR	STOPFEN EINSPRITZDUSE
16	12300026	GUARNIZIONE OR 0123 EPDM PA 17,86X2,62	O RING GASKET 0123 PA 17.86X2.62	JOINT OR 0123 PA 17.86X2.62	OR DICHTUNG 0123 PA 17.86X2.62
17	25739502	PORTAGIGLER GRUPPO CTS 03	NOZZLE HOLDER GROUP CTS 03	PORTE-GICLEUR GROUPE CTS 03	DUSEHALTER GRUPPE CTS 03
18	10300A	GIGLER OTT. X GRUPPO D 0.6	BRASS UNIT FOR JET D 0.6	GIGLEUR LAITON POUR GROUPE D 0.6	VERMESSINGTE GRUPPENDÜSE D 0.6
19	10253	FILTRO GIGLER GRUPPO W527	JET FILTER	FILTRE GICLEUR	DUSE FILTER
20	25789306	TAPPO PORTA GIGLEUR GRUPPO CTS 03	CAP GROUP JET	BOUCHON GIGLEUR	STOPFEN EINSPRITZDUSE
21	56080002	GRUPPO CTS 2003 230/50-60	230/50-60 CTS 03 UNIT	GROUPE CTS 03 230/50-60	EINHEIT CTS 03 230/50-60

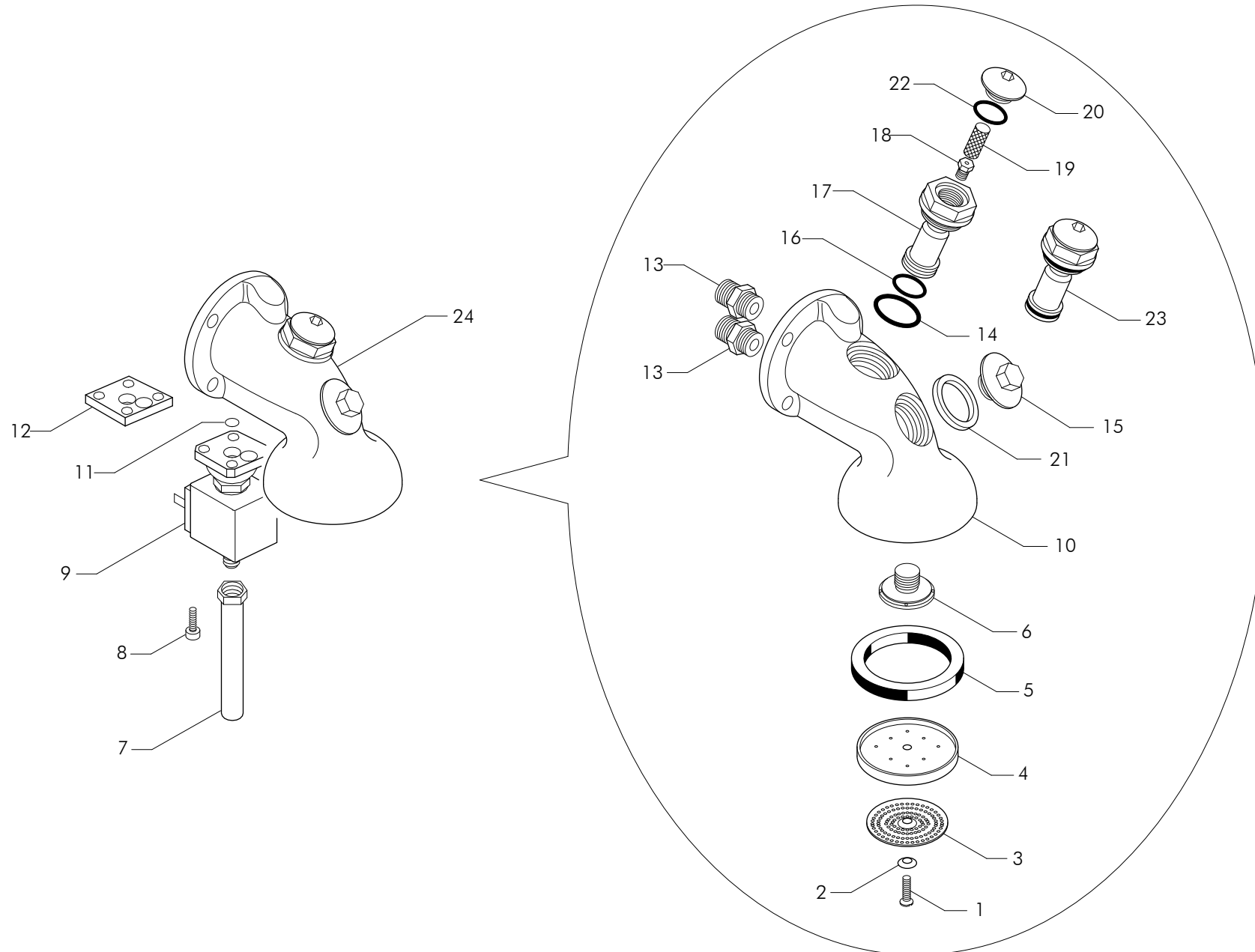






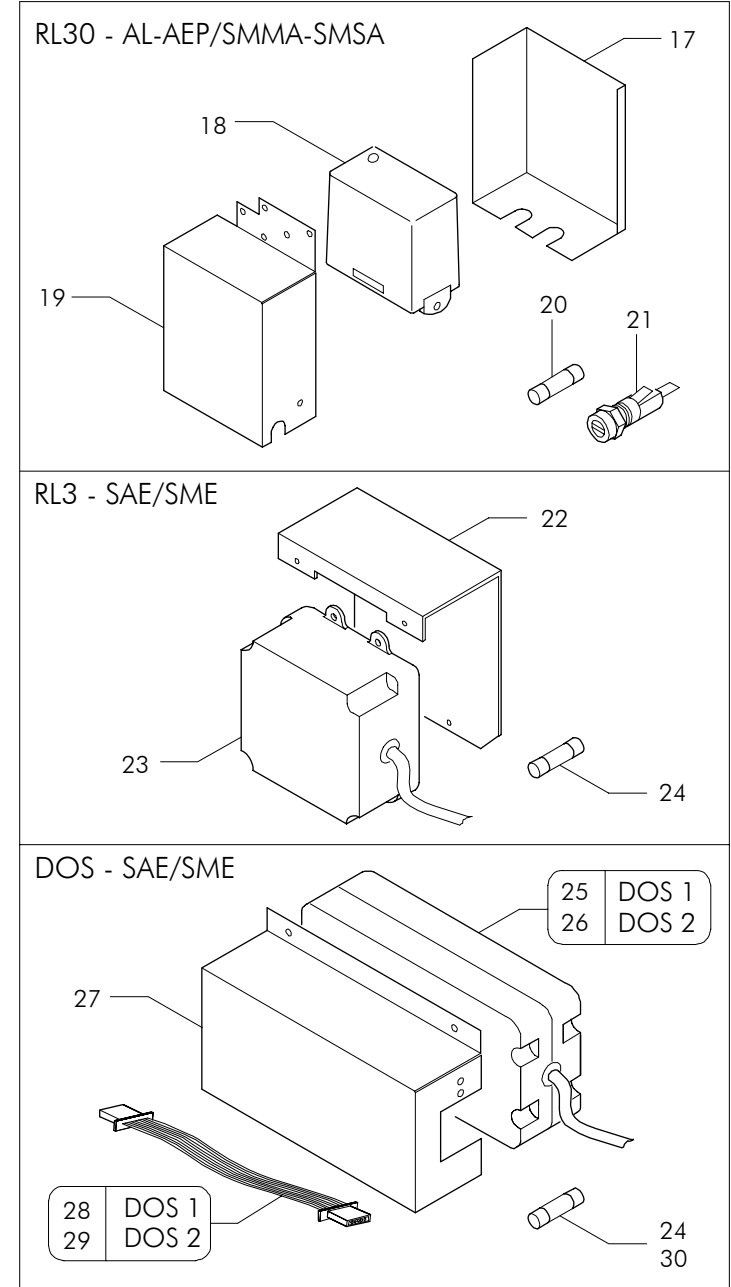
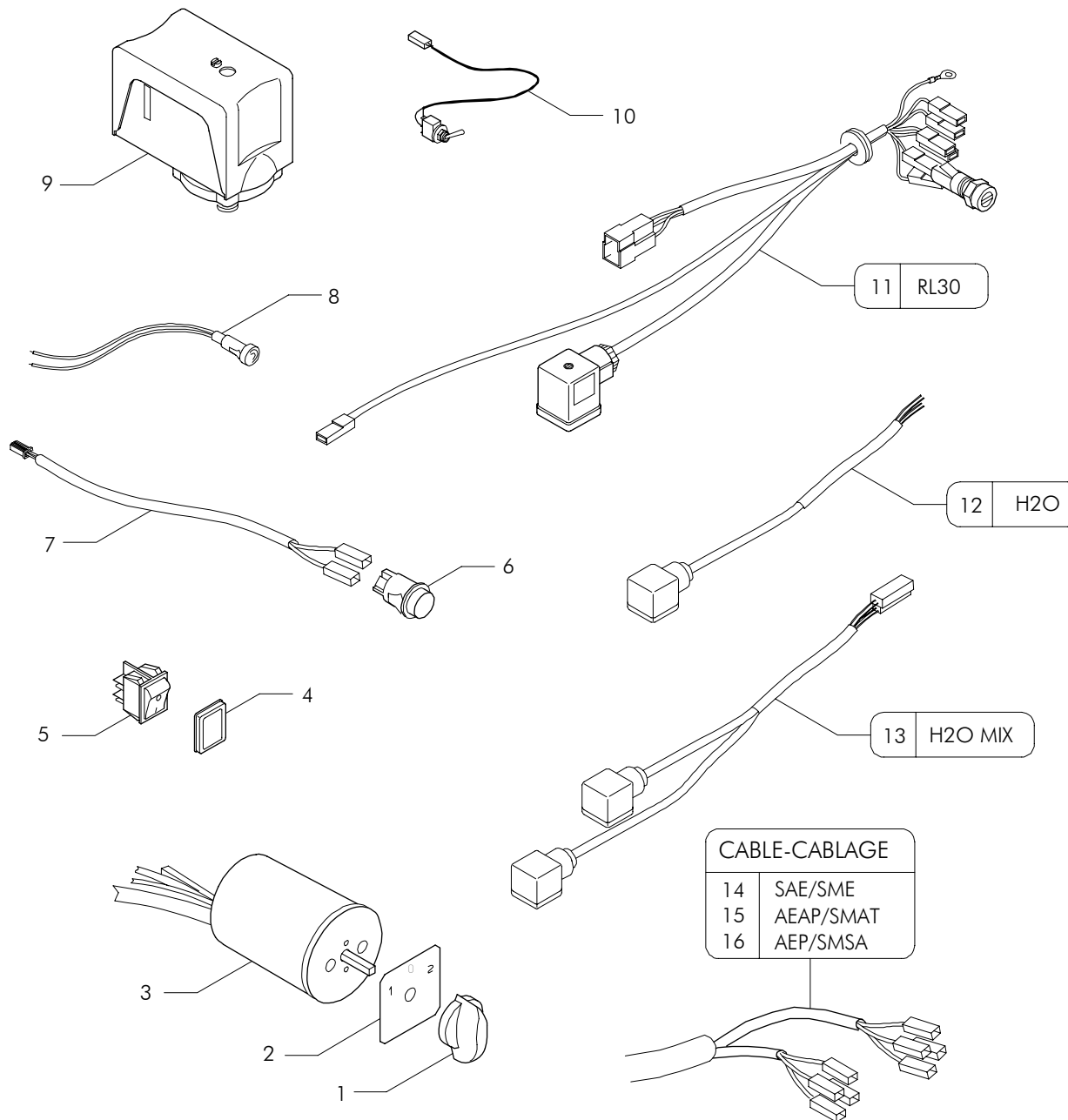
Pos	Cod.	Denominazione - IT -	Denomination - GB -	Denomination - FR -	Denomination - DE -
1	23514	VITE TPS INOX 5X20 TAGLIO CACC.	5X20 STAINLESS STEEL FLATHEAD SCREW	VIS TPS INOX 5X20 DE TOURNEVIS	SCHRAUBE TPS ROSTFREI5X20 SCHRAUBEN
2	23260014	RONDELLA INOX 12X5 DOCCETTA	INOX WASHER 12X5	RONDELLE INOX 12X5 DOUCHETTE	STAHL SCHEIBE 12X5 DUSCHE
3	27100	DOCCETTA GRUPPO ER 51.9	GROUP SHOWER PLATE 51.9	DOUCHETTE GROUPE ER 51.9	DUSCHE VERTEILEREINHEIT 51.9
4	25627	PORTADOCSETTA GRUPPO EROGAZIONE	WATER SPOUT UNIT SUPPORT	PORTE-DOUCHETTE GROUPE DISTRIBUTION	DUSCHTRÄGER VERSORGUNGSEINHEIT
5	12215	GUARNIZ.GOMMA S.COPPA 72X56X8.5 MAGG.	LARGER SIZED FILTER SUPPORT RUBBER	JOINT CAOUTCHOU SOUCOUBE 72X56X8.5	FILTERHALTER-GUMMIDICHTUNG 72X56X8 GROSS
5	12217	GUARNIZ. GOMMA S.COPPA 72X56X8 NORMALE	STANDARD SIZE FILTER SUPPORT GASKET	JOINT CAOUTCHOU SOUCOUBE 72X56X8 N	FILTERHALTER-GUMMIDICHTUNG 72X56X8 NORMAL
6	25422008	DIFFUSORE GRUPPO CTS 03	GROUP DIFFUSER	DIFFUSEUR GROUPE	GRUPPE VERTEILER
7	52000168	TBS.D-12 L.92 1-4GR RACCORDO SCARICO	TUBE D-12 L.92 1-4GR	TUYAU D-12 L.92 1-4GR	ROHR D-12 L.92 1-4GR
8	23560	VITE TCEI INOX 4X16	SCREW TCCE S.STEEL 4X16	VIS TCCE INOX 4X16	STAHLSCRAUBE TCCE 4X16
9	18150	ELETTROVALVOLA GRUPPO 110V 50-60HZ	GROUP SOLENOID VALVE 110/50-60	ELECTROVANNE GROUPE 110/50-60	GRUPPENMAGNETVENTIL 110/50-60
9	18151	ELETTROVALVOLA GRUPPO 220/240V 50-60HZ	GROUP SOLENOID VALVE 220/240 50-60	ELECTROVANNE GROUPE 220/240 50-60	GRUPPENMAGNETVENTIL 220/240 50-60
10	25368005	CORPO GRUPPO ER CIRC.TERMOSIFONICA 03	CTS 03 UNIT BODY	CORP GR. CTS 03	CTS 03 KORPER
11	12305	GUARNIZIONE OR 105 GR.ELETT.HNBR 70SH	O RING SEAL 105 GREEN SOLENOI	JOINT OR 105 GR. ELECT.	O-RINGDICHT. 105 EKELTR. EINHEIT
12	12013	GUARNIZIONE PTFE LV 2030 ELETTROVALVOLA	GASKET FOR SOLENOID VALVE GR PTFE	JOINT POUR ELECTROVANNE GR PTFE	MAGNETVENTILDICHT.GR PTFE LV 2030
13	25687002	RACCORDO 3/8X3/8 GAS GRP CTS 03	CONNECTOR 3/8X3/8 CTS 03 UNIT	RACCORD 3/8X3/8 GR. CTS 03	ANSCHLUSS 3/8X3/8 CTS 03
14	12336001	GUARNIZIONE ORM 0250-40 NBR DI25X4	GASKET ORM 0250-40 HNBR 70SH	JOINT ORM 0250-40 HNBR 70SH	DICHTUNG ORM 0250-40 HNBR 70SH
15	25789305	TAPPO CAMERA PREINFUSIONE GRUPPO CTS 03	CAP GROUP JET	BOUCHON GIGLEUR	STOPFEN EINSPRITZDUSE
16	12300026	GUARNIZIONE OR 0123 EPDM PA 17,86X2,62	O RING GASKET 0123 PA 17.86X2.62	JOINT OR 0123 PA 17.86X2.62	OR DICHTUNG 0123 PA 17.86X2.62
17	25739502	PORTAGIGLER GRUPPO CTS 03	NOZZLE HOLDER GROUP CTS 03	PORTE-GICLEUR GROUPE CTS 03	DUSEHALTER GRUPPE CTS 03
18	10300001	GIGLER OTT. X GRUPPO D 0.7	BRASS GROUP JET D 0.7	GIGLEUR LAITON POUR GROUPE D 0.7	VERMESSINGTE GRUPPENDUSE D 0.7
19	10253	FILTRO GIGLER GRUPPO W527	JET FILTER	FILTRE GICLEUR	DUSE FILTER
20	25789306	TAPPO PORTA GIGLEUR GRUPPO CTS 03	CAP GROUP JET	BOUCHON GIGLEUR	STOPFEN EINSPRITZDUSE
21	12012006	GUARNIZIONE TEFLON 33X28X4 GRUPPO CTS	GASKET TEFLON 33X28X4 GROUP CTS 03	JOINT TEFLON 33X28X4 GROUPE CTS 03	TEFLON DICHTUNG 33X28X4 GRUPPE CTS 03
22	12336000	GUARNIZIONE ORM 0170-30 NBR DI17X3	GASKET ORM 0170-30 HNBR 70SH	JOINT ORM 0170-30 HNBR 70SH	DICHTUNG ORM 0170-30 HNBR 70SH
23	56082106	GRUPPO CTS 2003 NEUTRO	NEUTRAL CTS GROUP 2003	GROUPE CTS 2003 NEUTRE	GRUPPE CTS 2003 NEUTRAL



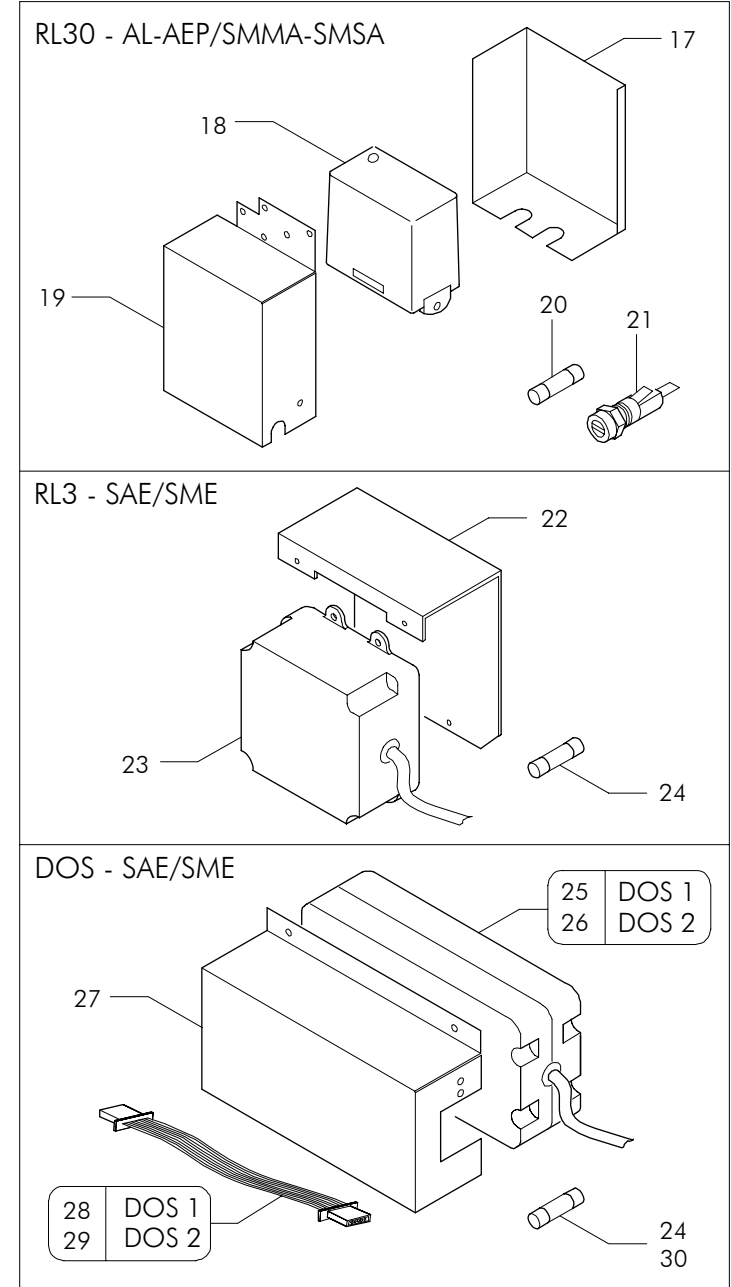
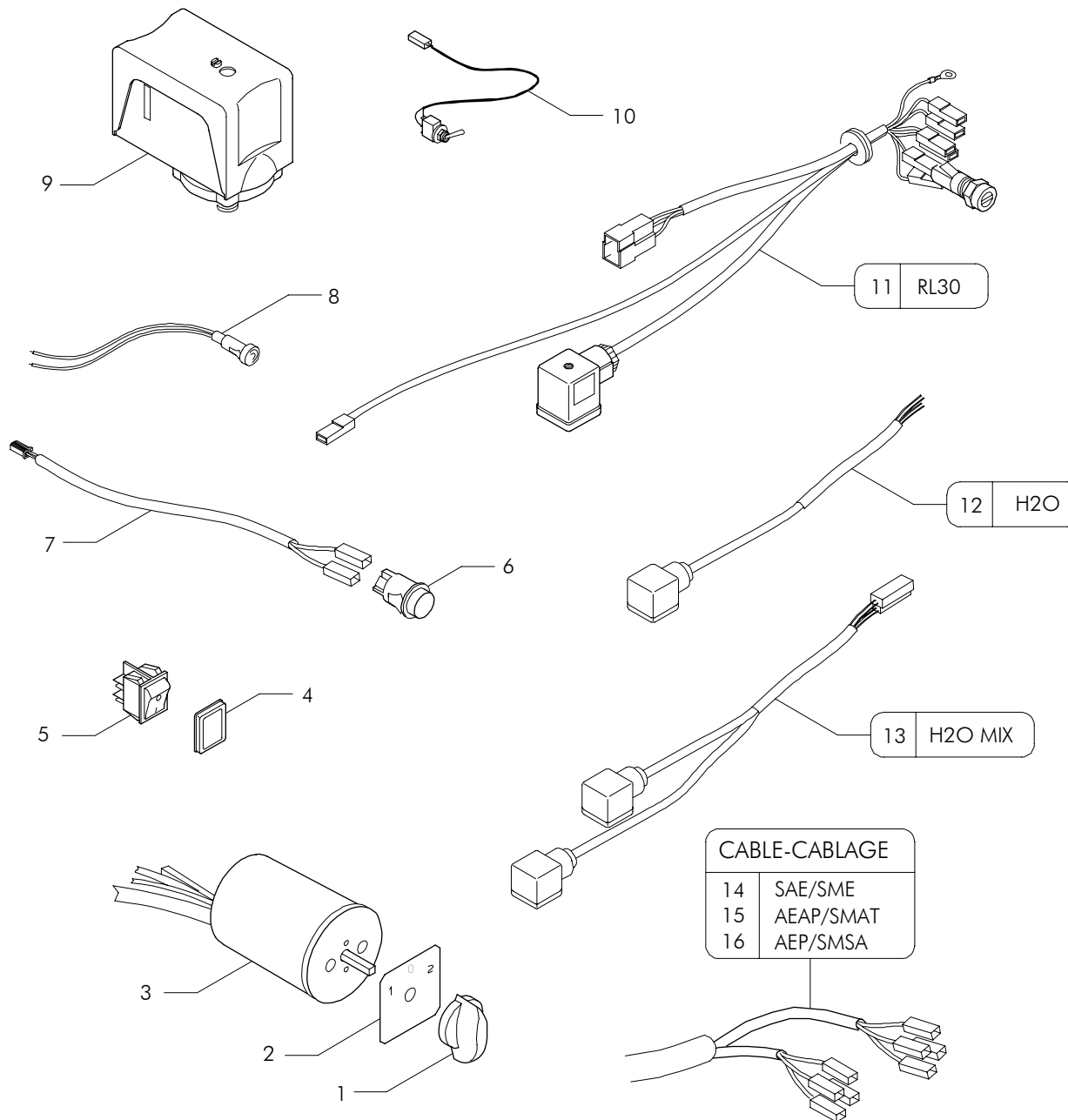


Pos	Cod.	Denominazione - IT -	Denomination - GB -	Denomination - FR -	Denomination - DE -
1	23514	VITE TPS INOX 5X20 TAGLIO CACC.	5X20 STAINLESS STEEL FLATHEAD SCREW	VIS TPS INOX 5X20 DE TOURNEVIS	SCHRAUBE TPS ROSTFREI5X20 SCHRAUBEN
2	23260014	RONDELLA INOX 12X5 DOCCETTA	INOX WASHER 12X5	RONDELLE INOX 12X5 DOUCHETTE	STAHL SCHEIBE 12X5 DUSCHE
3	27100	DOCCETTA GRUPPO	GROUP SHOWER PLATE	DOUCHETTE GROUPE	DUSCHE VERTEILEREINHEIT
4	25627	PORTADOCSETTA GRUPPO EROGAZIONE	WATER SPOUT UNIT SUPPORT	PORTE-DOUCHETTE GROUPE DISTRIBUTION	DUSCHTRÄGER VERSORGUNGSEINHEIT
5	12215	GUARNIZ.GOMMA S.COPPA 72X56X8.5 MAGG.	LARGER SIZED FILTER SUPPORT RUBBER	JOINT CAOUTCHOUQ SOUCOUE 72X56X8.5	FILTERHALTER-GUMMIDICHTUNG 72X56X8 GROSS
5	12217	GUARNIZ.GOMMA S.COPPA 72X56X8 NORM.	STANDARD SIZE FILTER SUPPORT GASKET	JOINT CAOUTCHOUQ SOUCOUE 72X56X8 N	FILTERHALTER-GUMMIDICHTUNG 72X56X8 NORMAL
6	25422008	DIFFUSORE GRUPPO CTS 03	GROUP DIFFUSER	DIFFUSEUR GROUPE	GRUPPE VERTEILER
7	52000168	TBS.D-12 L.92 1-4GR RACCORDO SCARICO	TUBE D-12 L.92 1-4GR	TUYAU D-12 L.92 1-4GR	ROHR D-12 L.92 1-4GR
7	52000194	TBS.D-12 L.132 1-4GR SCARICO GRP.RIALZ.	GROUP DISCHARGE TUBE FOR 1-4 GR. L.132	TUYAU D-12 L.132 1-4GR	ROHR D-12 L.132 1-4GR.AUSLASSANSCHLUSS
8	23560	VITE TCEI INOX 4X16	SCREW TCCE S.STEEL 4X16	VIS TCCE INOX 4X16	STAHLSCRAUBE TCCE 4X16
9	18150	ELETTROVALVOLA GRUPPO 110V 50-60HZ	GROUP SOLENOID VALVE 110/50-60	ELECTROVANNE GROUPE 110/50-60	GRUPPENMAGNETVENTIL 110/50-60
9	18151	ELETTROVALVOLA GRUPPO 220/240V 50-60HZ	GROUP SOLENOID VALVE 220/240 50-60	ELECTROVANNE GROUPE 220/240 50-60	GRUPPENMAGNETVENTIL 220/240 50-60
10	25368005	CORPO GRUPPO ER CIRC.TERMOSIFONICA 03	CTS 03 UNIT BODY	CORP GR. CTS 03	CTS 03 KORPER
11	12305	GUARNIZIONE OR	O RING	JOINT OR	O-RINGDICHT
12	12013	GUARNIZIONE PTFE LV 2030 ELETTROVALVOLA	GASKET FOR SOLENOID VALVE GR PTFE	JOINT POUR ELECTROVANNE GR PTFE	MAGNETVENTILDICHT.GR PTFE LV 2030
13	25687002	RACCORDO 3/8X3/8 GAS GRP CTS 03	CONNECTOR 3/8X3/8 CTS 03 UNIT	RACCORD 3/8X3/8 GR. CTS 03	ANSCHLUSS 3/8X3/8 CTS 03
14	12336001	GUARNIZIONE NBR DI25X4	GASKET NBR DI 25X4	JOINT NBR DI 25X4	DICHTUNG NBR DI 25X4
15	25789305	TAPPO CAMERA PREINFUSIONE GRUPPO CTS 03	CAP GROUP JET	BOUCHON GIGLEUR	STOPFEN EINSPRITZDUSE
16	12300026	GUARNIZIONE OR	O RING GASKET	JOINT OR	OR DICHTUNG
17	25739502	PORTAGIGLER GRUPPO CTS 03	NOZZLE HOLDER GROUP CTS 03	PORTE-GICLEUR GROUPE CTS 03	DUSEHALTER GRUPPE CTS 03
18	10300001	GIGLER OTT. X GRUPPO D 0.7	BRASS GROUP JET D 0.7	GIGLEUR LAITON POUR GROUPE D 0.7	VERMESSINGTE GRUPPENDUSE D 0.7
19	10253	FILTRO GIGLER GRUPPO W527	JET FILTER	FILTRE GICLEUR	DUSE FILTER
20	25789306	TAPPO PORTA GIGLEUR GRUPPO CTS 03	CAP GROUP JET	BOUCHON GIGLEUR	STOPFEN EINSPRITZDUSE
21	12012006	GUARNIZIONE TEFLON 33X28X4 GRUPPO CTS	GASKET TEFLON 33X28X4 GROUP CTS 03	JOINT TEFLON 33X28X4 GROUPE CTS 03	TEFLON DICHTUNG 33X28X4 GRUPPE CTS 03
22	12336000	GUARNIZIONE ORM 0170-30 NBR DI17X3	GASKET ORM 0170-30 HNBR 70SH	JOINT ORM 0170-30 HNBR 70SH	DICHTUNG ORM 0170-30 HNBR 70SH
23	56130001	ASSIEME PORTAGIGLER GRUPPO CTS 03	NOZZLE HOLDER GROUP CTS 03	PORTE-GICLEUR GROUPE CTS 03	DUSEHALTER GRUPPE CTS 03R
24	56082106	GRUPPO CTS 2003 NEUTRO	NEUTRAL CTS GROUP 2003	GROUPE CTS 2003 NEUTRE	GRUPPE CTS 2003 NEUTRAL



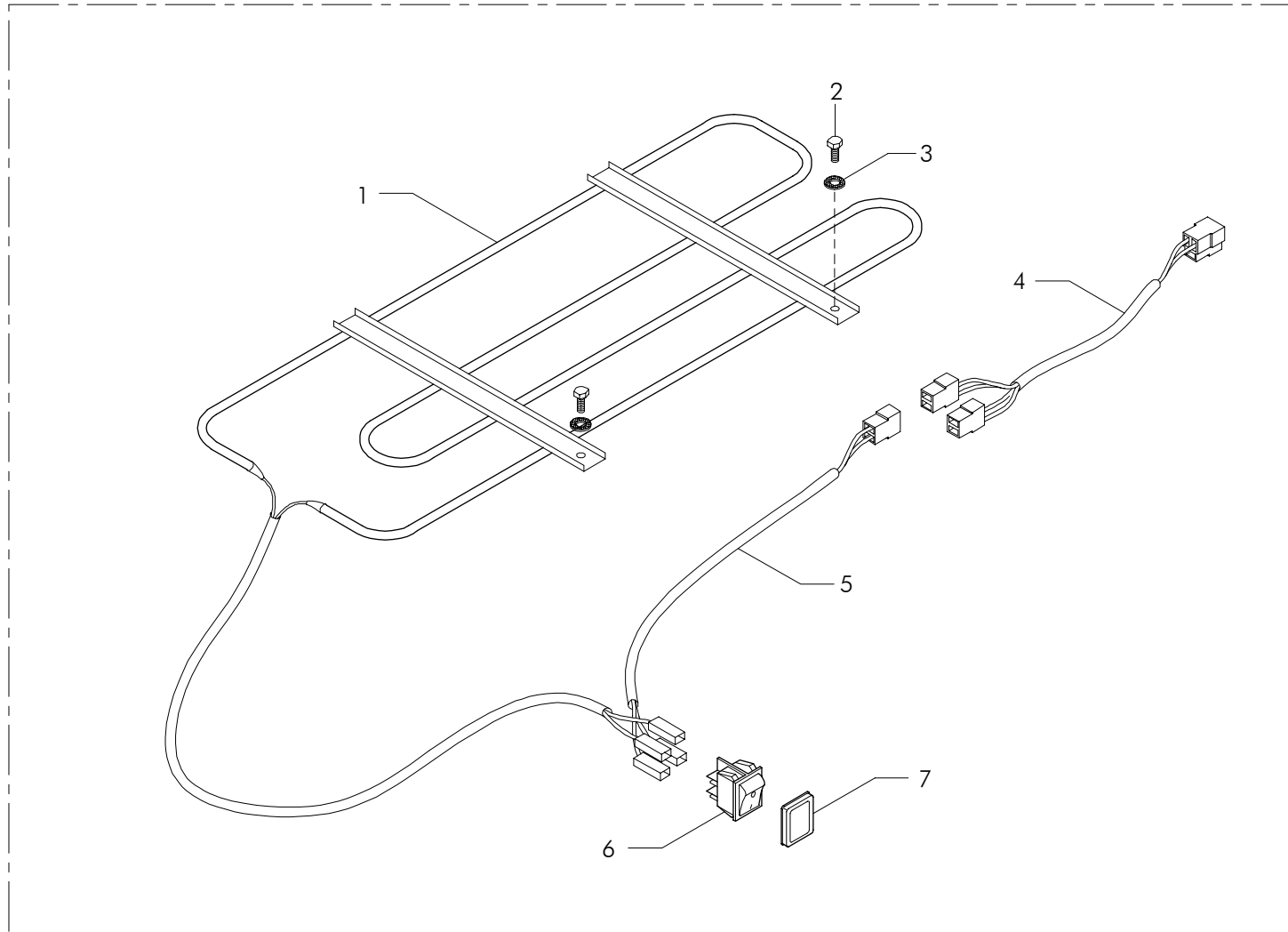


Pos	Cod.	Denominazione - IT -	Denomination - GB -	Denomination - FR -	Denomination - DE -
1	15271	MANOPOLA INTERR.GENERALE BREMAS	MAIN SWITCH HAND GRIP	MANETTE INTERR. GENERAL	HAUPTSCHALTERGRIFF
2	29067	ETICHETTA ADESIVA '1-0-2'NERO PLASTICO 5	ADHESIVE LABEL '1-0-2' BLACK PLASTI	ETIQ. ADHES. 1-0-2' NOIR PLASTIQUE	KLEBEETIKETTE '1-0-2'SCHWARZ PLAST
2	29068	ETICHETTA ADESIVA '0-1'NERO PLASTICO 58X	PLASTIC ADHESIVE PLATE 0-1 58X58	PLAQUETTE ADHESIVE 0-1 58X58	KLEBESCHILD 0-1 58X58
3	18103	COMMUTATORE BREMAS A25.2 SCH.0408/7412	COMMUTATOR BREMAS A25.2	COMMULATEUR BREMAS A25.2	UMSCHALTER BREMAS A25.2
3	18104	COMMUTATORE BREMAS A20.12 CS0177412.328	COMMUTATOR BREMAS A20.12	COMMULATEUR BREMAS A20.12	UMSCHLATER BREMAS A20.12
3	18105	COMMUTATORE BREMAS A32.12 CS0257412.288	COMMUTATOR BREMAS A32.12	COMMULATEUR BREMAS A32.12	UMSCHALTER BREMAS A32.12
3	18200	INTERRUTTORE BREMAS A20.02 CA0170002.328	BREMAS SWITCH A20.02	INTERRUPTEUR BREMAS A20.02	BREMAS SCHALTER A20.02
3	18201	INTERRUTTORE BREMAS A20.03 CA0170003.328	BREMAS SWITCH A20.02	INTERRUPTEUR BREMAS A20.03	BREMAS SCHALTER A20.03
3	18202	INTERRUTTORE BREMAS A25.03	BRAMAS SWITCH A25.03	INTERRUPTEUR BREMAS A25.03	BREMAS SCHALTER A25.03
3	18203	INTERRUTTORE BREMAS A25.02	BRAMAS SWITCH A25.02	INTERRUPTEUR BREMAS A25.02	BREMAS SCHALTER A25.02
3	18205	INTERRUTTORE BREMAS A20.04 CA0170004.328	BREMAS SWITCH A20.04 CA0170004	INTERRUPTEUR BREMAS A20.04 CA0170004	BREMAS SCHALTER A20.04
3	18206	INTERRUTTORE BREMAS A32.02 CA0250002.288	BREMAS SWITCH A32.02	INTERRUPTEUR BREMAS A32.02	BREMAS SCHALTER A32.02
3	18207	INTERRITTORE BREMAS A32.03 CA0250003.288	BREMAS SWITCH A32.03	INTERRUPTEUR BREMAS A32.03	BREMAS SCHALTER A32.03
3	18208	INTERRUTTORE BREMAS A32.04 CA0250004.288	BREMAS SWITCH A32.04	INTERRUPTEUR BREMAS A32.04	BREMAS SCHALTER A32.04
4	19049	COPERTURA INTERRUTTORE B4	SWITCH COVER B4	PROTECTION INTERRUPTEUR	SCHALTER ABD. B4
5	18260	INTERRUTTORE BIPOLARE LUMINOSO ROSSOB418	B418C1G210000 LUMINOUS RED BIPOLAR	INTER. BIP. LUMINEUX ROUGE B418C1G210	ZWEIPOLIGER ROTER LEUCHTSCHALTER B418C1
5	18262	INTERRUTTORE BIPOLARE LUM.BIANCO B418C1L	B418C1L110000 LUMINOUS COLOURLESS BIPOLA	INT.BIP.LUMINEUX INCOLORE B418C1L110000	BIPOLAR FARBL0S LEUCHTSCHALTER B418C1L11
6	18245	INT.PULSANTE SP6014C10000 BIANCO	PUSH BUTTON SWITCH SPL60 - RED	BOUTON POUSSOIR SPL60 - ROUGE	DRUCKKNOPFSCHALTER SPL60 - ROT
7	22719005	CABLAGGIO THE LUNGO	LONG CABLE THE	CABLAGE THE LONG	LANGER VERKABELUNG THE
7	22719014	CABLAGGIO THE	CABLE THE	CABLAGE THE	VERKABELUNG THE
8	21010	LAMPADA SPIA VERDE 110V CAVI L=645	GREEN WARNING LIGHT 110V 32	LAMPE TEMOIN VERTE 110V	GRUNE KONTROLLAMPE 110V 32
8	21011	LAMPADA SPIA VERDE 220V 332247030T	220V 332247030T GREEN INDICATOR LIG	AMPOULE TEMOIN VERT 220V 332247030T	KONTROLLEUCHTE GRÜN 220V 332247030T
8	21012	LAMPADA SPIA ARANCIONE 380V	GREEN WARNING LIGHT 380V	LAMPE TEMOIN VERTE 380V	GRUNE KONTROLLAMPE 380V
9	20150	PRESSOSTATO SECCO SIRAI P302/6	SIRAI P302/6 DRY PRESSURE SWITCH	PRESSOSTAT SEC SIRAI P302/6	TROCKENDRUCKWÄCHTER SIRAI P302/6
10	18249	INTERRUTTORE A LEVA PER PROGRAMMI	LEVER SWITCH FOR PROGRAMS	INTERRUPTEUR A LEVIER POUR PROGRAMMES	HEBELSCHALTER FUR PROGRAMM
10	22723C	CAVO CON INT.PROG."TH" L1000	1000L CABLE WITH TH SWITCH.PROGR.	CABLE AVEC INTER. PROGR.TH L.1000	KABEL MIT PROGRAMMSCHALTER TH L1000
11	22858	CABLAGGIO AEA 1-4GR	CABLE A.W.R. 1-4GR	CABLAGE R.E.A. 1-4GR	VERDRAHTUNG A.W.F.1-4GR
12	22719	CABL.THE AUT.SAE/EVD PG9 1>4GR	CABLE X AUTOM.TEA *EVD* WEGA 2-3GR	CABLAGE X TE AUTOM.*EVD*WEGA 2-3GR	VERDRAHT.XAUT.TEE *EVD* WEGA 2-3GR
13	22719003	CABLAGGIO H20/MIX SAE 1>3GR DV//AR	CABLING H20/MIX SAE 1-3 UNITS	CABLE EAU/MIX SAE 1-3GR DV//AR	VERLABELUNG H20/MIX SAE 1-3 GR.
13	22719004	CABLAGGIO H20/MIX SAE 4GR DV//AR	CABLING H20/MIX SAE 4 UNITS	CABLE EAU/MIX SAE 4GR	VERLABELUNG H20/MIX 4GR.
14	228005	CABLAGGIO SAE-EVD/1 NEW X PG9	CABLE SAE/1 NEW X PG9	CABLAGE SAE/1 NEW X PG9	VERDRAHTUNG SAE/1 NEW X PG9
14	228006	CABLAGGIO SAE-EVD/2 NEW X PG9	CABLE SAE/2 NEW X PG9	CABLAGE SAE/2 NEW X PG9	VERDRAHTUNG SAE/2 NEW X PG9
14	228007	CABLAGGIO SAE-EVD/3 NEW X PG9	CABLE SAE/3 NEW X PG9	CABLAGE SAE/3 NEW X PG9	VERDRAHTUNG SAE/3 NEW X PG9
14	228008	CABLAGGIO SAE-EVD/4 NEW X PG9	CABLE SAE/4 NEW X PG9	CABLAGE SAE/4 NEW X PG9	VERDRAHTUNG SAE/4 NEW X PG9
15	227335	CABLAGGIO AEAP/1+JUN CON AEA 97	CABLE AEAP/1 + AEA	CABLAGE AEAP/1 + AEA	VERDRAHTUNG AEAP/1 + AEA
15	227336	CABLAGGIO AEAP/2 CON AEA 97	CABLE AEAP/2 + AEA	CABLAGE AEAP/2 + AEA	VERDRAHTUNG AEAP/2 + AEA
15	227337	CABLAGGIO AEAP/3 CON AEA 97	CABLE AEAP/3 + AEA	CABLAGE AEAP/3 + AEA	VERDRAHTUNG AEAP/3 + AEA
15	227338	CABLAGGIO AEAP/4 CON AEA 97	CABLE AEAP/4 + AEA	CABLAGE AEAP/4 + AEA	VERDRAHTUNG AEAP/4 + AEA



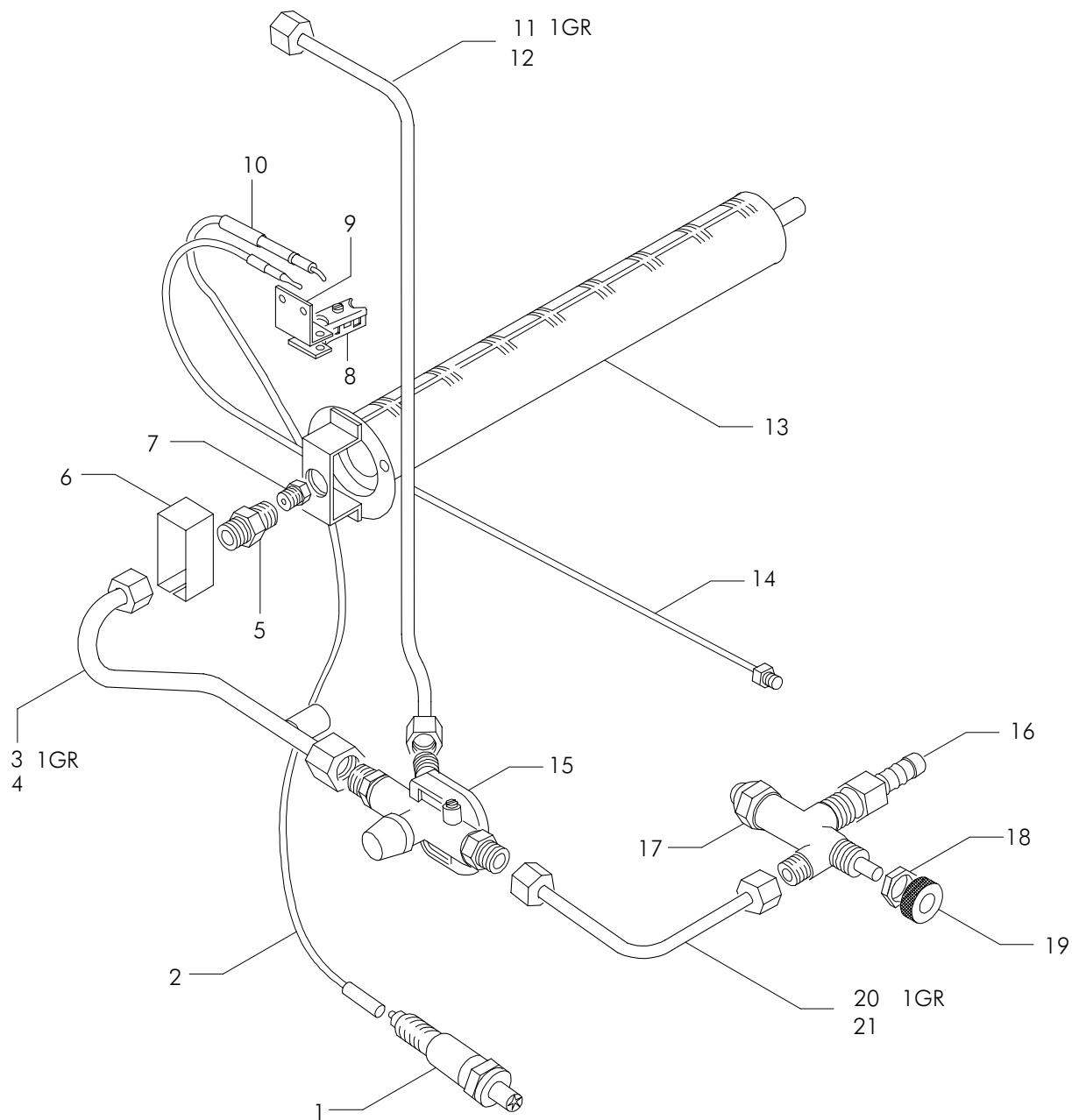
Pos	Cod.	Denominazione - IT -	Denomination - GB -	Denomination - FR -	Denomination - DE -
16	227701	CABLAGGIO AEP/1 + JUNIOR NEW	AEP/1 + JUNIOR NEW WIRING	CABLAGE AEP/1 + JUNIOR NEW	VERKABELUNG AEP/1 + JUNIOR NEW
16	227702	CABLAGGIO AEP/2 NEW	AEP/2 NEW CABLING	CABLAGE AEP/2 NEW	VERKABELUNG AEP/2 NEW
16	227703	CABLAGGIO AEP/3 NEW	AEP/3 NEW CABLING	CABLAGE AEP/3 NEW	VERKABELUNG AEP/3 NEW
16	227704	CABLAGGIO AEP/4 NEW	CABLE AEP/4 NEW	CABLAGE AEP/4 NEW	VERDRAHTUNG AEP/4 NEW
17	77691F	PROTEZIONE CENTRALINA RL30 PER SUPP.7820	RL30 GEARCASE PROTECTION FOR SUPP.78200	PROTECTION RL30	SCHUTZGITTER RL30
18	18080001	REGOLATORE LIVELLO RL30/T.O.220/240V 917	LEVEL CONTROL RL30/T.O.220/240V	CONTROLE NIVEAU RL30/T.O.220/240V	WASSERNIVEAUREGLER RL30/TO 220/240V
18	18081001	REGOLATORE LIVELLO RL30/TIMEOUT 120V	LEVEL CONTROL RL30/TIMEOUT 120V	CONTROLE NIVEAU RL30/TIMEOUT 120V	WASSERNIVEAUREGLER RL30/TO 120V
19	78200	SUPPORTO AEA RL30 X TUTTI I TELAI MODUL	AWR BEARING RL30XALL MODUL.FRAMES	SUPPORT REA RL30 POUR TOUS CHASSIS MOD.	AWF HALTER RL30XFUR ALLE MOD.RAHMEN
20	19101	FUSIBILE OMEGA 5X20 2A SF520220 OMEGA	FUSE OMEGA 5X20 2A SF520220	FUSIBLE OMEGA 5X20 2A SF520220	SCHMELZSICH.OMEGA 5X20 2A SF520220
21	19122	PORTAFUSIBILE P2300 10A 250V OMEGA	FUSE HOLDER P2300 10A 250V OMEGA	PORTE-FUSIBLE P2300 10A 250V OMEGA	SICHERUNGSHALTER P2300 10A 250V OM.
22	78152001	SUPP.CENTRALINA RL3	GEARCASE BEARING JUN - FRAME ARG.	SUPPORT CENTRALE JUN-CHASSIS ARG.	STEUERUNG HALTER JUN-RAHMEN ARG.
23	18090030	CENTRALINA 1-3GR 120V RL3	CONTROL UNIT 1-3GR 120V RL3	CENTR. 1-3GR 120V RL3	EINHEIT 1-3GR 120V RL3
23	18090031	CENTRALINA 1-3GR 230V RL3	CONTROL UNIT 1-3GR 230V RL3	CENTR. 1-3GR. 230V RL3	EINHEIT 1-3GR 230V RL3
24	19104	FUSIBILE OMEGA 5X20 T-10A	FUSE OMEGA 5X20 T-10A	FUSIBLE OMEGA 5X20 T-10A	SCHMELZSICHERUNG OMEGA 5X20 T-10A
25	18090016	CENTRALINA 1>3GR UL ES 230V DOS S	CONTROL UNIT 1>3GR UL ES 230V	CENTR.1>3GR UL ES 230V DOS S	EINHEIT 1>3GR UL ES 230V DOS S
25	18090017	CENTRALINA 1>3GR UL ES 120V DOS S	CONTROL UNIT 1>3GR UL ES 120V DOS S	CENTR.1>3GR UL ES 120V DOS S	EINHEIT 1>3GR UL ES 120V DOS S
25	18090028	CENTRALINA 4GR UL DV/6D 230V DOS S4	CONTROL UNIT 4GR UL ES 230V DOS S4	CENTR.4GR UL ES 230V DOS S4	EINHEIT 4GR UL ES 230V DOS S4
25	18090029	CENTRALINA 4GR UL DV/6D 120V DOS S4	CONTROL UNIT 4GR UL ES 120V DOS S4	CENTR.4GR UL ES 120V DOS S4	EINHEIT 4GR UL ES 120V DOS S4
26	18077	CENTRALINA 4GR UL 220V 951438	GEARCASE MICROP.4GR 220V 950878	CENTRALE MICROP.4GR 220V 950878	MIKROP.STEUERUNG 4GR 220V 950878
26	18078	CENTRALINA 1/2/3GR UL 110V 951408	GEARCASE MICROP.U.L.110V 951408	CENTRALE MICROP. U.L.110V 951408	MIKROP.STEUERUNG U.L.110V 951408
26	18079	CENTRALINA 1/2/3GR UL 220V 951412	GEARCASE MICROP. U.L. 220V 951412	CENTRALE MICROP. U.L. 220V 951412	MIKROP.STEUERUNG U.L.220V 951412
27	78151	SUPPORTO CENTRALINA SAE	CONTROL UNIT SUPPORT SAE FRAME A/W	SUPPORT CENTRALE SAE CHASSIS AW	STEUERUNG-HALTER SAE RAHMEN A/W
28	22627	CAVO PULSANTIERA 10 POLI 80CM	80 CM CABLE FOR P.BUTTON PANEL	CABLE CLAVIER 10 POLES 80 CM	KABEL BEDIENBL. 10 POLIG 80CM
28	22628	CAVO PULSANTIERA 10 POLI 140CM	140 CM CABLE FOR P.BUTTON PANEL	CABLE CLAVIER 10 POLES 140 CM	KABEL BEDIENBL. 10 POLIG 140CM
29	22608	CAVO PULSANTIERA 2C F. CM90 892909	TOUCH PAD CABLE 2C F. CM80 891857	CABLE CLAVIER A TOUCHES 2C F. CM80	KABEL DER DRUCKKNOPFTAFEL 2CF CM80
29	22609	CAVO PULSANTIERA 2C F. CM140 891859	TOUCH PAD CABLE 2C F. CM140 891859	CABLE CLAVIER A TOUCHES 2C F. CM140	KABEL DER DRUCKKNOPFTAFEL 2CF CM140
30	19106	FUSIBILE OMEGA 5X20 T-500MA	FUSE OMEGA 5X20 T-125MA	FUSIBLE OMEGA 5X20 T-125MA	SCHMELZSICHERUNG OMEGA 5X20 T-125MA





KIT	
8	2 GR
9	3 GR
10	4 GR

Pos	Cod.	Denominazione - IT -	Denomination - GB -	Denomination - FR -	Denomination - DE -
1	17020	RESISTENZA 2GR 120V 200W	HEATING ELEMENT 2GR 120V 200W	RESISTANCE 2GR 120V 200W	WIDERSTAND 2GR 120V 200W
1	17022	RESISTENZA 2GR 230V 200W	HEATING ELEMENT 2GR 230V 200W	RESISTANCE 2GR 230V 200W	WIDERSTAND 2GR 230V 200W
1	170225	RESISTENZA 3GR 120V 250W	HEATING ELEMENT 3GR 120V 250W	RESISTANCE 3GR 120V 250W	WIDERSTAND 3GR 120V 250W
1	17023	RESISTENZA 3GR 230V 250W	HEATING ELEMENT 3GR 230V 250W	RESISTANCE 3GR 230V 250W	WIDERSTAND 3GR 230V 250
1	17024	RESISTENZA 4GR 230V 300W SCTE	HEATING ELEMENT 4GR 230V 300W	RESISTANCE 4GR 230V 300W	HEIZKORPER 4GR 230V 300W
2	23402	VITE TE INOX 4X10 #	STEEL SCREW TE 4X10	VIS INOX TE 4X10	STAHLSCHRAUBE TE 4X10
3	23261	RONDELLA INOX DENTELLATA D4 #	INDENTED STAINLESS WASHER D4	RONDELLE DENTELEE INOX D 4	GEZACKTE STAHLSCHEIBE D4
4	227178	CABLAGGIO SDOPPIATORE USCITA	CABLE CONNECTION	CABLAGE JONCTION	VERDRAHTUNG VERBINDUNG
5	22723002	CABLAGGIO SCALDATAZZE ELETTRICO 2-4GR	ELECTR. CUP HEAT. WIRING 2-4 UNITS	CABLE CHAUFFE-TASSES ELEC. 2-4GR	ELEKTR. VERKABELUNG TASSENWÄRMER 2-4
6	18260	INTERRUTTORE BIPOLARE LUMINOSO ROSSOB418	B418C1G210000 LUMINOUS RED BIPOLAR	INTER. BIP. LUMINEUX ROUGE B418C1G210	ZWEIPOLIGER ROTER LEUCHTSCHALTER B418C1
7	19049	COPERTURA INTERRUTTORE B4	SWITCH COVER B4	PROTECTION INTERRUPTEUR	SCHALTER ABD. B4
8	80123001R	KIT SCALDATAZZE 2GR 230V	ELECTR. CUP HEATING 2GR 230V	CHAUFFE-TASSES ELEC. 2GR 230V	ELEKTR. TASSENWARMER 2GR 230V
9	80123003R	KIT SCALDATAZZE 3GR 230V	ELECTR. CUP HEATING 3GR 230V	CHAUFFE-TASSES ELEC. 3GR 230V	ELEKTR. TASSENWARMER 3GR 230V
10	80123004R	KIT SCALDATAZZE 4GR 230V	ELECTR. CUP HEATING 4GR 230V	CHAUFFE-TASSES ELEC. 4GR 230V	ELEKTR. TASSENWARMER 4GR 230V



Pos	Cod.	Denominazione - IT -	Denomination - GB -	Denomination - FR -	Denomination - DE -
1	15010	BLOCCO+COL.AVN M22X1.5 SIT 0073952	GAS STARTER M22X1.5 SIT 0073952	BLOC ALLUMAGE GAZ	ZUNDUNGSPERRE GAS AVN M22X1.5
2	22001	CAVO AL GAS/SIT 0028510 PIEZ	GAS/SIT FEEDING CABLE	CABLE ALIMENTATION GAZ SIT	GAS/SIT SPEISEKABEL 0028510
3	52000251	TBS.D-10 L.260 DV 52 REGOLATORE	D-10 260 L PIPE DV 52	TUYAU D-10 L.260 DV 52	ROHR D-10 L.260 DV 52
4	52000223	TBS.D-10 L.215 DV 24 REGOLATORE	D-10 215 L PIPE DV 24	TUYAU D-10 L.215 DV 24	ROHR D-10 L.215 DV 24
5	23220	RACC.PORTAUGELLO EN 335/MC POLI	NOZZLE-BEARER CONNECTOR EN 335/MC	RACCORD PORTE-GIGLEUR EN 335/MC	FITTING FUR DUSETRAGER 335/MC
6	10660	REGOLATORE ARIA EN/355.2 POLI	AIR REGULATOR EN/355.2	REGULATEUR AIR EN/355.2	LUFTREGLER EN/355.2
7	10900	UGELLO 1GR EM 1.00N METANO	METHANE NOZZLE 1 GR EM 1.00N	GICLEUR 1 GR EM 1.00N METHANE	DUSE 1GR EM 1.00N METHAN
7	10901	UGELLO 1GR EM 0.60N GPL	GPL NOZZLE 1 GR EM 0.60N	GICLEUR 1 GR EM 0.60N G P L	DUSE 1GR EM 0.60N G P L
7	10903	UGELLO 2GR EM 1.10N METANO	METHANE NOZZLE 2GR EM 1.10N	GICLEUR 2 GR EM 1.10N METHANE	DUSE 2GR EM 1.10N METHAN
7	10904	UGELLO 2GR EM 0.65N GPL	GPL NOZZLE 2GR EM 0.65N	GICLEUR 2GR EM 0.65N G P L	DUSE 2GR EM 0.65N G P L
7	10906	UGELLO 3GR EM 1.35N METANO	METHANE NOZZLE 3GR EM 1.35N	GICLEUR 3 GR EM 1.35N METHANE	DUSE 3GR EM 1.35N METHAN
7	10907	UGELLO 3GR EM 0.80N GPL	GPL NOZZLE 3GR EM 0.80N	GICLEUR 3 GR EM 0.80N G P L	DUSE 3GR EM 0.80N G P L
7	10909	UGELLO 4GR EM 1.45N METANO	METHANE NOZZLE 4GR EM 1.45N	GICLEUR 4 GR EM 1.45N METHANE	DUSE 4GR EM 1.45N METHAN
7	10910	UGELLO 4GR EM 0.85N GPL	GPL NOZZLE 4GR EM 0.85N	GICLEUR 4 GR EM 0.85N G P L	DUSE 4GR EM 0.85N G P L
8	10750	SUPPORTO TERMOCOPPIA SIT 0978009	THERMOCOUPLE SIT STAND 0978009	SUPPORT THERMOCOUPLE SIT 0978009	THERMOELEMENT HALTER SIT 0978009
8	10751	SUPPORTO TERMOCOPPIA SIT 0978021	THERMOCOUPLE SIT STAND 0978021	SUPPORT THERMOCOUPLE SIT 0978021	THERMOELEMENT HALTER SIT 0978021
8	23410	VITE TE UNI 3/16X18 SIC GAS 0953007	SCREW TE 3/16X18 GAS SAFETY	VIS TE 3/16X18 SURETE GAZ	SCHRAUBE TE UNI 3/16X18 GAS SICHER.
9	780663	SUPPORTO TERMOCOPPIA GAS 20/10	SUPPORT FOR THERMOCOUPLE GAS	SUPPORT POUR THERMOCOUPLE GAZ	GESTELL THERMOELEMENT
10	20030	CANDELA M 4 PILOTA 0100 0915036	PILOT SPARK PLUG M4 0100 GAS	BOUGIE M 4 PILOTE	KERZE M 4 0100 SIC/GAS
11	52000252	TUB.D-6 L.400 DV 53 FLANGIA	D-6 400 L PIPE DV 53	TUYAU D-6 L.400 DV 53	ROHR D-6 L.400 DV 53
12	52000224	TUB.D-6 L.390 DV 25 REGOLATORE	D-6 390 L PIPE DV 25	TUYAU D-6 L.390 DV 25	ROHR D-6 L.390 DV 25
13	30010	BRUCIATORE 1GR 305/12 POLI	1 GROUP BURNER 305/12 POLES	BRULEUR 1GR 305/12 POLES	BRENNER 1GR 305/12 POLEN
13	30011	BRUCIATORE 2GR 306/12 POLI	2 GROUPS BURNER 306/12 POLES	BRULEUR 2GR 306/12 POLES	BRENNER 2GR 06/12 POLEN
13	30012	BRUCIATORE 3GR 307/12 POLI	3-4 GROUPS BURNER 307/12 POLES	BRULEUR 3-4GR 307/12 POLES	BRENNER 3-4GR 307/12 POLEN
13	30013	BRUCIATORE 4GR 102.0211.00 POLI	4GR BURNER 102.0211.00 POLES	BRULEUR 4GR 102.0211.00 POLES	BRENNER 4GR 102.0211.00 POLEN
14	18551	TERMOCOPPIA SIT 0290003 L450	THERMOCOUPLE SIT L450	TIGE THERMOCOUPLE GAZ L450	THERMOELEMENT SIT 0290003 L450
15	51003	ASSIEME REGOLATORE GAS NORMALE POLI	NORMAL GAS REGULATOR SET *POLES*	ENSEMBLE REGULATEUR GAZ NORMAL	GASREGELUNGSSATZ
15	51005	ASSIEME REGOLATORE GAS X SICUREZZA	GAS REGULATOR	ENSEMBLE REGULATEUR GAZ	GASREGELUNGSSATZ
16	25622	PORTAGOMMA 1/4 CON X SIC GAS	1/4 CONICAL HOSE CONNECTION FOR GAS	PORTE-TUYAU 1/4 CONIQUE POUR SEC.GAZ	SCHLAUCHHALTER 1/4 MIT X GASSICHERUNG
17	20221	RUBINETTO SICUREZZA GAS SIT 0400006	GAS SECURITY VALVE SIT 0400006	ROBINET SURETE GAZ SIT 0400006	GASSICHERHEITSHAHN SIT 0400006
18	23019	DADO M12X1 OTTONE SIT 0992007	S.I.T. BRASS NUT M12X1	ECROU M12X1 LAITON POUR S.I.T.	MESSING SCHRAUBENMUTTER M12X1
19	10350	GHIERA X GAS SIT 0991005	GAS RING NUT SIT 0991005	EMBOUT POUR GAZ SIT 0991005	GASZWINGE SIT 0991005
20	52001454	TBS.D-8 L.95 1GR GAS AR 75	TUBE D-8 L.95	TUYAU D-8 L.95	ROHR D-8 L.95
21	52000222	TBS.D-8 L.135 DV 23 SICUREZZA	D-8 135 L PIPE DV 23	TUYAU D-8 L.135 DV 23	ROHR D-8 L.135 DV 23
21	52001322	TUB.D-8 L.180 1GR LD 19/B	TUBE D-8 L.180	TUYAU D-8 L.180	ROHR D-8 L.180

# INDICE - INDEX - SOMMAIRE - VERZEICHNIS

# ICT

rev.

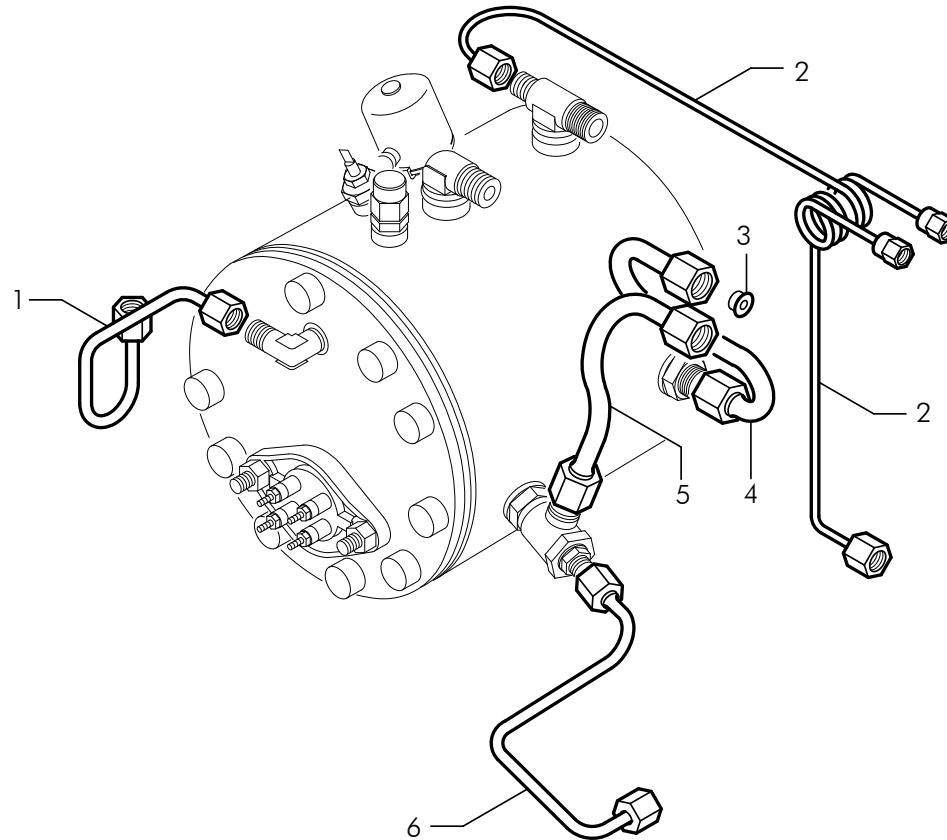
ICT-01	Impianto idraulico scambiatore <b>CTS</b> Hydraulic circuit cartridge heating <b>CTS</b> Circuit hydraulique échangeur <b>CTS</b> Wasser-anlage <b>CTS</b>	<b>AEP/AEAP</b> <b>SMSA/SMAT</b>	<b>JUN</b>	<b>01</b> <i>02/2010</i>
ICT-02	Impianto idraulico scambiatore <b>CTS</b> Hydraulic circuit cartridge heating <b>CTS</b> Circuit hydraulique échangeur <b>CTS</b> Wasser-anlage <b>CTS</b>	<b>AEP/AEAP</b> <b>SMSA/SMAT</b>	<b>1 GR</b>	<b>01</b> <i>02/2010</i>
ICT-03	Impianto idraulico scambiatore <b>CTS</b> Hydraulic circuit cartridge heating <b>CTS</b> Circuit hydraulique échangeur <b>CTS</b> Wasser-anlage <b>CTS</b>	<b>AEP/AEAP</b> <b>SMSA/SMAT</b>	<b>2-3-4 GR</b>	<b>01</b> <i>02/2010</i>
ICT-04	Impianto idraulico scambiatore <b>CTS</b> Hydraulic circuit cartridge heating <b>CTS</b> Circuit hydraulique échangeur <b>CTS</b> Wasser-anlage <b>CTS</b>	<b>SAE</b> <b>SME</b>	<b>JUN</b>	<b>01</b> <i>02/2010</i>
ICT-05	Impianto idraulico scambiatore <b>CTS</b> Hydraulic circuit cartridge heating <b>CTS</b> Circuit hydraulique échangeur <b>CTS</b> Wasser-anlage <b>CTS</b>	<b>SAE</b> <b>SME</b>	<b>1GR</b>	<b>01</b> <i>02/2010</i>
ICT-06	Impianto idraulico scambiatore <b>CTS</b> Hydraulic circuit cartridge heating <b>CTS</b> Circuit hydraulique échangeur <b>CTS</b> Wasser-anlage <b>CTS</b>	<b>SAE</b> <b>SME</b>	<b>2-3-4 GR</b>	<b>01</b> <i>02/2010</i>

Impianto idraulico  
**CTS**

Hydraulic circuit  
cartridge heating  
**CTS**

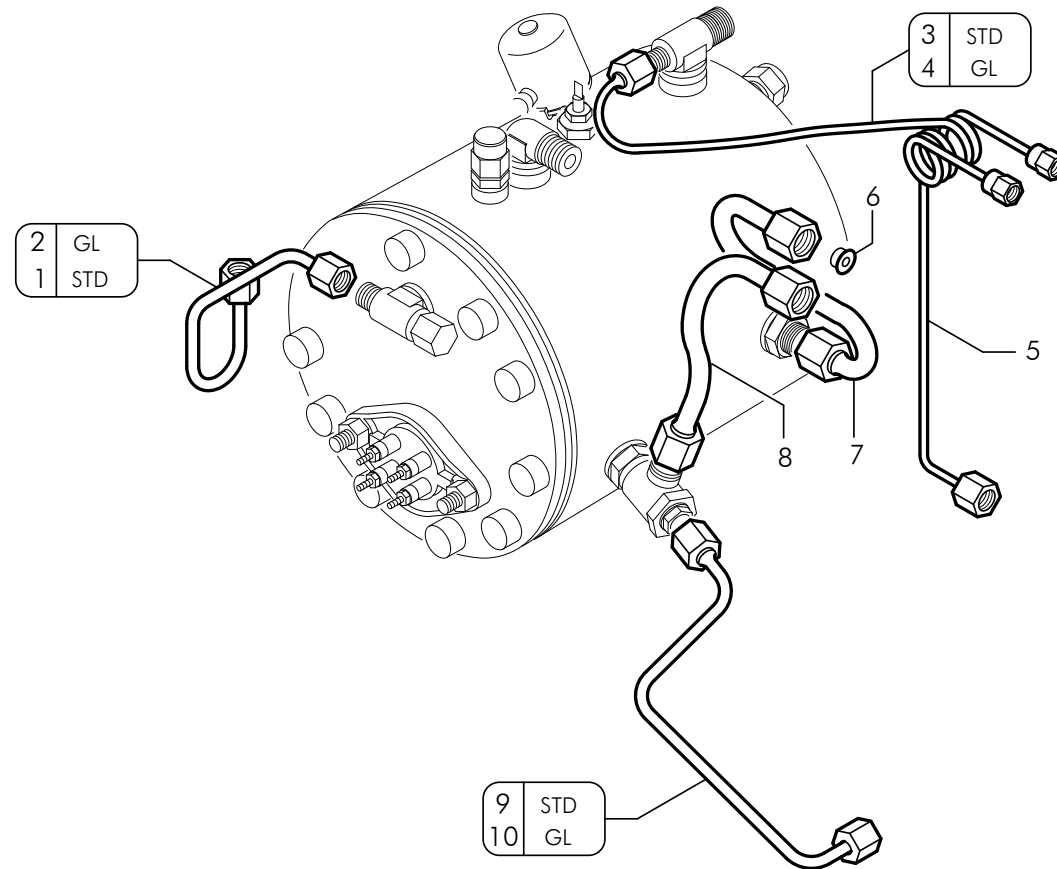
Circuit hydraulique  
échangeur  
**CTS**

Wasser-anlage  
**CTS**



Pos	Cod.	Denominazione - IT -	Denomination - GB -	Denomination - FR -	Denomination - DE -
1	52000249	TUB.D-6 L.205 DV 50 FLANGIA > PRESSOST.	D-6 205 L PIPE DV 50	TUYAU D-6 L.205 DV 5	ROHR D. 6 L.205 DV 5
2	52000110	TBS.D-4 L.730 1-4GR A 44	TUBE D-4 L.730 1-4 GR A 44	TUYAU D-4 L.730 1-4GR A 44	ROHR D-4 L.730 1-4GR A 44
3	23294001	STROZZATURA RICIRCOLO GR CTS D 2.5	CTS UNIT D 2.5 RECIRC. NECK	ETRANGLEMENT RECYCLAGE GR.D.2.5	ENGSTELLE UMWÄLZUNG D. 2.5
3	23294003	STROZZATURA RICIRCOLO GR CTS D 4	CTS UNIT D 4 RECIRC. NECK	ETRANGLEMENT RECYCLAGE GR.D.4	ENGSTELLE UMWÄLZUNG D. 4
4	52000273	TBS.D-10 L.205 DV 74 SCAMB. > GR.	D-10 205 L PIPE DV 74	TUYAU D-10 L.205 DV 7	ROHR D. 10 L.205 DV 7
5	52000272	TBS.D-10 L.135 DV 73	D-10 135 L PIPE DV 73	TUYAU D-10 L.135 DV 7	ROHR D. 10 L.135 DV 7
6	52000349	TBS.D-6 L.415 DV 84/A	D-6 415 L PIPE DV 84/A	TUYAU D-6 L.415 DV 84/A	ROHR D. 6 L.415 DV 84/A

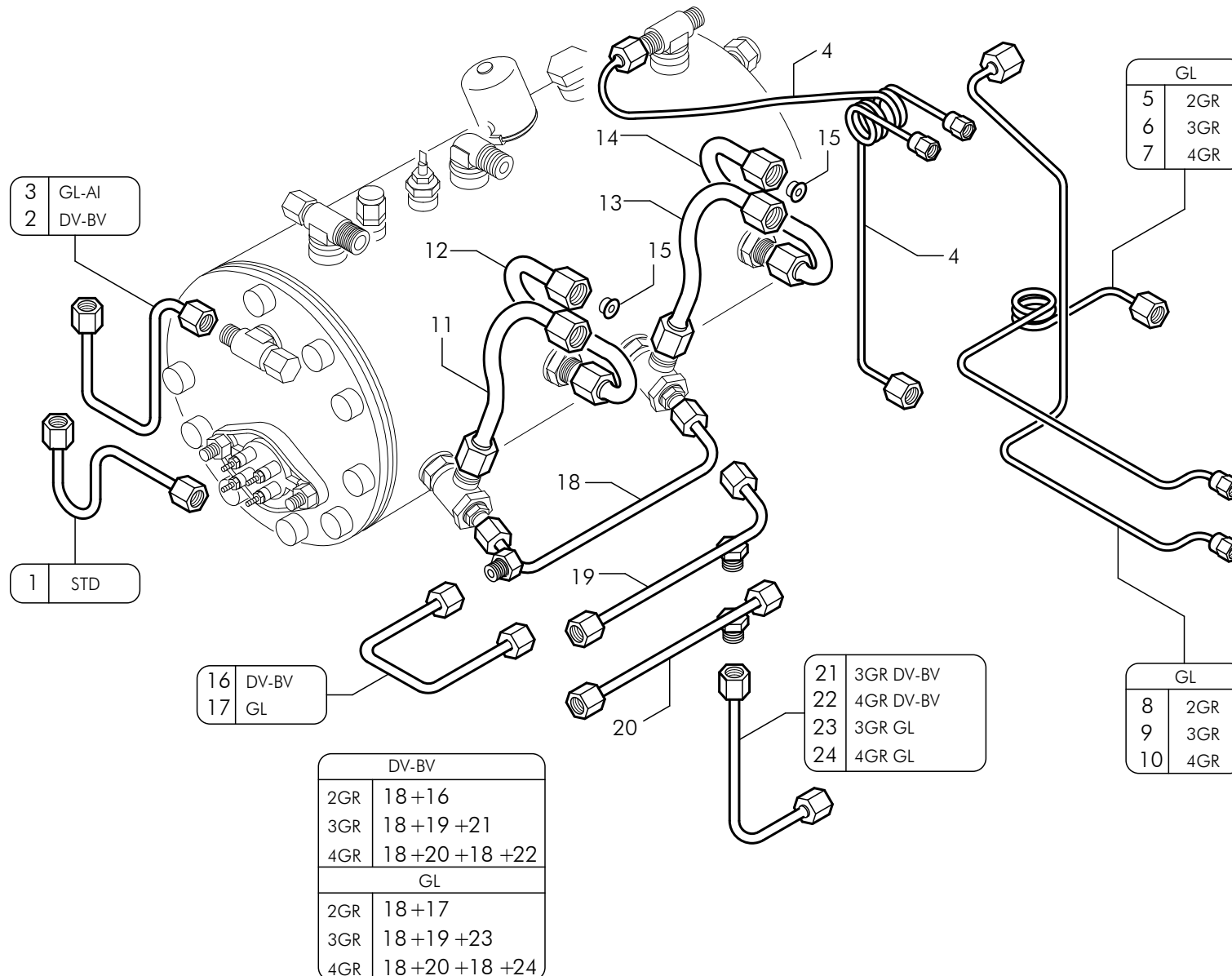






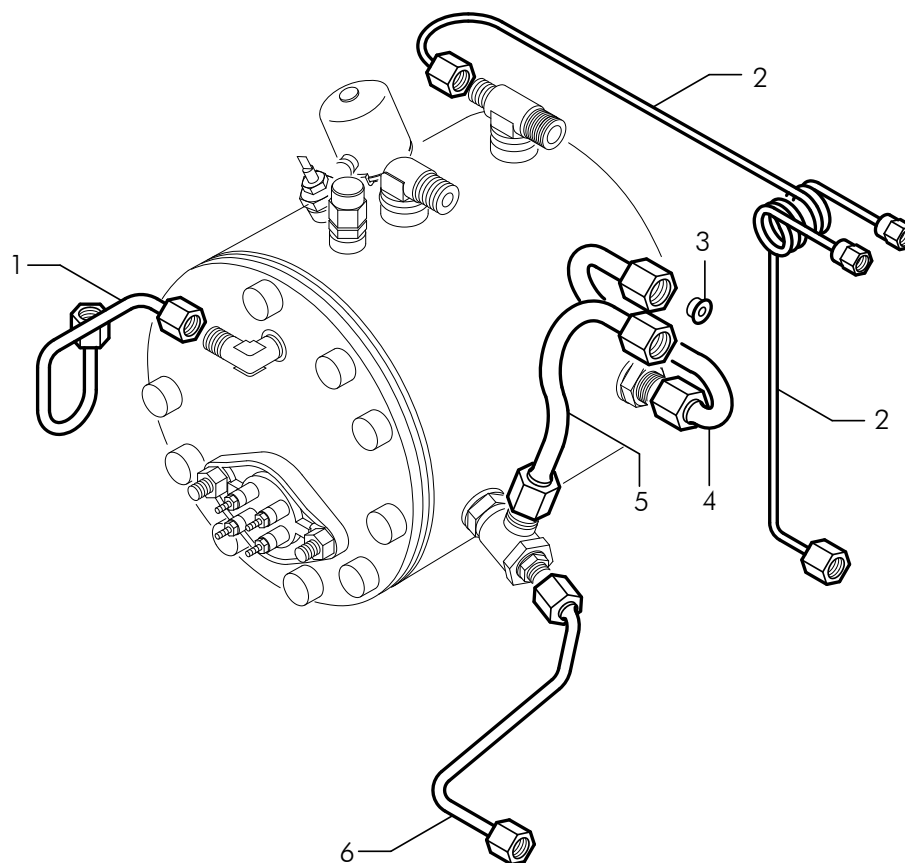
Pos	Cod.	Denominazione - IT -	Denomination - GB -	Denomination - FR -	Denomination - DE -
1	52000249	TUB.D-6 L.205 DV 50 FLANGIA > PRESSOST.	D-6 205 L PIPE DV 50	TUYAU D-6 L.205 DV 5	ROHR D. 6 L.205 DV 5
2	52001420	TUB.D-6 L.190 2GR SCTZ. AR 41 CALD.>PRESS.	TUBE D-6 L.190 2GR	TUYAU D-6 L.190 2GR	ROHR D-6 L.190 2GR
3	52001433	TUBO D-4 L.310 2-3GR CTS AR 56	TUBE D-4 L.310	TUYAU D-4 L.310	ROHR D-4 L.310
4	52000419	TUBO D-4 L.635 1GR GL20	TUBE D-4 L.635 1GR GL20	TUYAU D-4 L.635 1GR GL20	ROHR D-4 L.635 1GR GL20
5	52000110	TBS.D-4 L.730 1-4GR A 44	TUBE D-4 L.730 1-4 GR A 44	TUYAU D-4 L.730 1-4GR A 44	ROHR D-4 L.730 1-4GR A 44
6	23294001	STROZZATURA RICIRCOLO GR CTS D 2.5	CTS UNIT D 2.5 RECIRC. NECK	ETRANGLEMENT RECYCLAGE GR.D.2.5	ENGSTELLE UMWÄLZUNG D. 2.5
6	23294003	STROZZATURA RICIRCOLO GR CTS D 4	CTS UNIT D 4 RECIRC. NECK	ETRANGLEMENT RECYCLAGE GR.D.4	ENGSTELLE UMWÄLZUNG D. 4
7	52003934	TUB.D-10 L.210 1G CTS MU/34GR. > SCAMB.	TUBE D-10 L.210 1G CTS	TUYAU D-10 L.210 1G CTS	ROHR D-10 L.210 1G CTS
8	52000211	TBS.D-10 L.155 DV 12	D-10 155 L PIPE DV 12	TUYAU D-10 L.155 DV 12	ROHR D. 10 L.155 DV 1
9	52000255	TBS.D-6 L.345 DV 56	D-6 370 L PIPE DV 56	TUYAU D-6 L.370 DV 5	ROHR D. 6 L.370 DV 5
10	52000417	TUBO D-6 L.300 GL18	TUBE D-6 L.300 GL18	TUYAU D-6 L.300 GL18	ROHR D-6 L.300 GL18





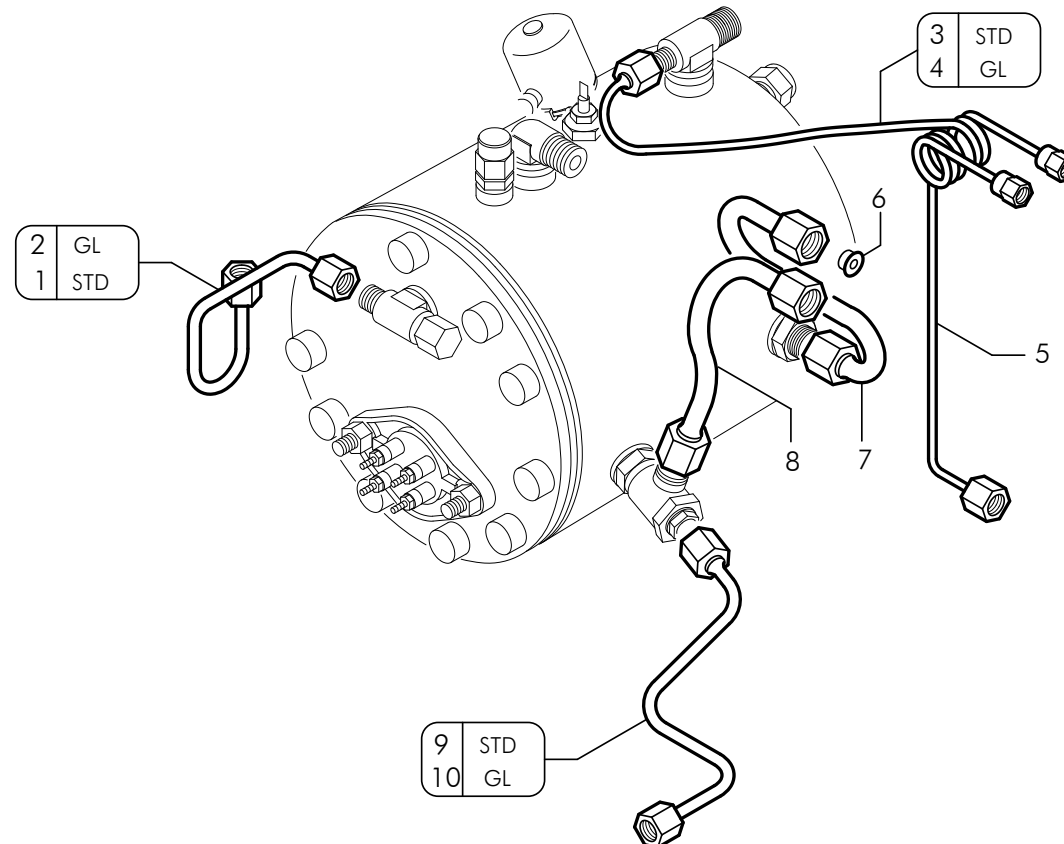
Pos	Cod.	Denominazione - IT -	Denomination - GB -	Denomination - FR -	Denomination - DE -
1	52001420	TUB.D-6 L.190 2GR SCTZ AR41 CALD.>PRESS.	TUBE D-6 L.190 2GR	TUYAU D-6 L.190 2GR	ROHR D-6 L.190 2GR
2	52000220	TUB.D-6 L.220 DV 21 FLANGIA > PRESSOST.	D-6 220 L PIPE DV 21	TUYAU D-6 L.220 DV 2	ROHR D. 6 L.220 DV 2
3	52000110	TBS.D-4 L.730 1-4GR A 44	TUBE D-4 L.730 1-4 GR A 44	TUYAU D-4 L.730 1-4GR A 44	ROHR D-4 L.730 1-4GR A 44
4	52000404	TBS.D-4 L.625 GL5	TUBE D-4 L.625 GL5	TUYAU D-4 L.625 GL5	ROHR D-4 L.625 GL5
5	52000413	TBS.D-4 L.750 GL14	TUBE D-4 L.750 GL14	TUYAU D-4 L.750 GL14	ROHR D-4 L.750 GL14
6	52000428	TBS.D-4 L.870 GL29	TUBE D-4 L.870 GL29	TUYAU D-4 L.870 GL29	ROHR D-4 L.870 GL29
7	52000405	TBS.D-4 L.700 GL6	TUBE D-4 L.700 GL6	TUYAU D-4 L.700 GL6	ROHR D-4 L.700 GL6
8	52000414	TBS.D-4 L.800 GL15	TUBE D-4 L.800 GL15	TUYAU D-4 L.800 GL15	ROHR D-4 L.800 GL15
9	52000429	TBS.D-4 L.880 GL30	TUBE D-4 L.880 GL30	TUYAU D-4 L.880 GL30	ROHR D-4 L.880 GL30
10	52000272	TBS.D-10 L.135 DV 73	D-10 135 L PIPE DV 73	TUYAU D-10 L.135 DV 7	ROHR D. 10 L.135 DV 7
11	52000214	TBS.D-10 L.195 DV 15 SCAMB.SX (OUT)>GR.	D-10 195 L PIPE DV 15	TUYAU D-10 L.195 DV 1	ROHR D. 10 L.195 DV 1
12	52000245	TBS.D-10 L.165 DV 46 SCAMB.IN) > GR.	D-10 165 L PIPE DV 46	TUYAU D-10 L.165 DV 4	ROHR D. 10 L.165 DV 4
13	52003934	TUB.D-10 L.210 1G CTS MU/34GR.> SCAMB.	TUBE D-10 L.210 1G CTS	TUYAU D-10 L.210 1G CTS	ROHR D-10 L.210 1G CTS
14	23294001	STROZZATURA RICIRCOLO GR CTS D 2.5	CTS UNIT D 2.5 RECIRC. NECK	ETRANGLEMENT RECYCLAGE GR.D.2.5	ENGSTELLE UMWÄLZUNG D. 2.5
14	23294003	STROZZATURA RICIRCOLO GR CTS D 4	CTS UNIT D 4 RECIRC. NECK	ETRANGLEMENT RECYCLAGE GR.D.4	ENGSTELLE UMWÄLZUNG D. 4
15	52000325	TBS.D-6 L.225 DV 33/A SCNR > TBS.DV 34	D-6 225 L PIPE DV 33/A	TUYAU D-6 L.225 DV 33/	ROHR D. 6 L.225 DV 33/
16	52000401	TUBO D-6 L.270 GL2	TUBE D-6 L.270 GL2	TUYAU D-6 L.270 GL2	ROHR D-6 L.270 GL2
17	52000233	TBS.D-6 L.230 DV 34	D-6 230 L PIPE DV 34	TUYAU D-6 L.230 DV 3	ROHR D. 6 L.230 DV 3
18	52000326	TBS.D-6 L.250 DV 35/A DV 34 > SCAMB.DX	D-6 250 L PIPE DV 35/A	TUYAU D-6 L.250 DV 35/	ROHR D. 6 L.250 DV 35/
19	52000338	TBS.D-6 L.280 DV 63/A DV34 > TBS.DV 34	D-6 280 L PIPE DV 63/A	TUYAU D-6 L.280 DV 63/	ROHR D. 6 L.280 DV 63/
20	52000327	TBS.D.6 L.125 DV 36/A	D.6 125 L PIPE DV 36/A	TUYAU D.6 L.125 DV 36/A	ROHR D.6 L.125 DV 36/A
21	52000339	TBS.D-6 L.250 DV 64/A SCNR > TBS.DV 63/A	D.6 250 L PIPE DV 64/A	TUYAU D.6 L.250 DV 64/A	ROHR D.6 L.250 DV 64/A
22	52000431	TUB.D-6 L.220 GL32	TUBE D-6 L.220 GL32	TUYAU D-6 L.220 GL32	ROHR D-6 L.220 GL32
23	52000432	TUB.D-8 L.420 GL33	TUBE D-8 L.420 GL33	TUYAU D-8 L.420 GL33	ROHR D-8 L.230 GL33





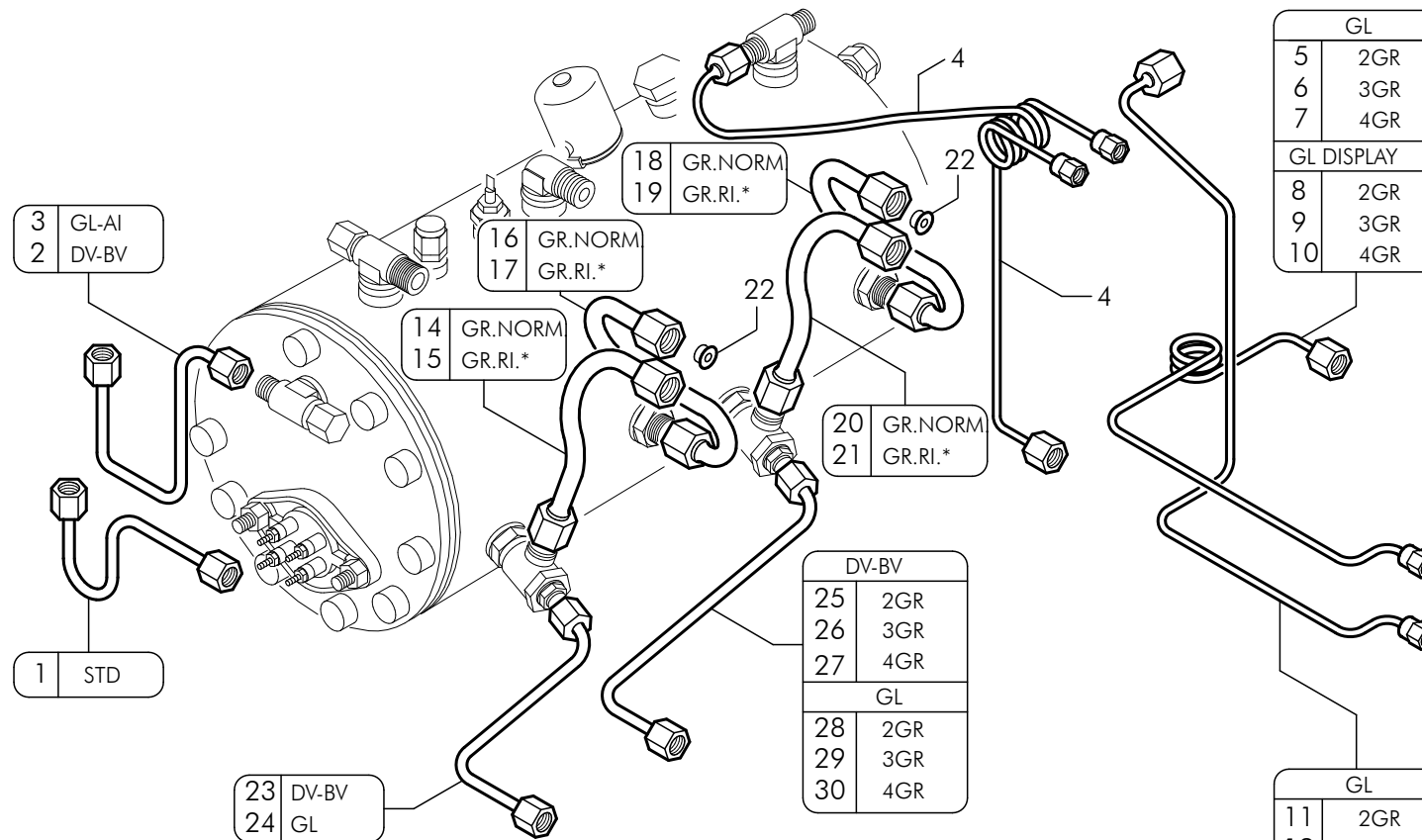
Pos	Cod.	Denominazione - IT -	Denomination - GB -	Denomination - FR -	Denomination - DE -
1	52000249	TUB.D-6 L.205 DV 50 FLANGIA > PRESSOST.	D-6 205 L PIPE DV 50	TUYAU D-6 L.205 DV 5	ROHR D. 6 L.205 DV 5
2	52000110	TBS.D-4 L.730 1-4GR A 44	TUBE D-4 L.730 1-4 GR A 44	TUYAU D-4 L.730 1-4GR A 44	ROHR D-4 L.730 1-4GR A 44
3	23294001	STROZZATURA RICIRCOLO GR CTS D 2.5	CTS UNIT D 2.5 RECIRC. NECK	ETRANGLEMENT RECYCLAGE GR.D.2.5	ENGSTELLE UMWÄLZUNG D. 2.5
3	23294003	STROZZATURA RICIRCOLO GR CTS D 4	CTS UNIT D 4 RECIRC. NECK	ETRANGLEMENT RECYCLAGE GR.D.4	ENGSTELLE UMWÄLZUNG D. 4
4	52000273	TBS.D-10 L.205 DV 74 SCAMB.(OUT) > GR. -	D-10 205 L PIPE DV 74	TUYAU D-10 L.205 DV 7	ROHR D. 10 L.205 DV 7
5	52000272	TBS.D-10 L.135 DV 73	D-10 135 L PIPE DV 73	TUYAU D-10 L.135 DV 7	ROHR D. 10 L.135 DV 7
6	52000271	TBS.D-6 L.250 DV 72 DOSAT. > INIETTORE	D-6 250 L PIPE DV 72	TUYAU D-6 L.250 DV 7	ROHR D. 6 L.250 DV 7





Pos	Cod.	Denominazione - IT -	Denomination - GB -	Denomination - FR -	Denomination - DE -
1	52000249	TUB.D-6 L.205 DV 50 FLANGIA > PRESSOST.	D-6 205 L PIPE DV 50	TUYAU D-6 L.205 DV 5	ROHR D. 6 L.205 DV 5
2	52001420	TUB.D-6 L.190 2GR SCTZ AR41 CALD.> PRESS.	TUBE D-6 L.190 2GR	TUYAU D-6 L.190 2GR	ROHR D-6 L.190 2GR
3	52001433	TUBO D-4 L.310 2-3GR CTS AR 56	TUBE D-4 L.310	TUYAU D-4 L.310	ROHR D-4 L.310
4	52000419	TUBO D-4 L.635 1GR GL20	TUBE D-4 L.635 1GR GL20	TUYAU D-4 L.635 1GR GL20	ROHR D-4 L.635 1GR GL20
5	52000110	TBS.D-4 L.730 1-4GR A 44	TUBE D-4 L.730 1-4 GR A 44	TUYAU D-4 L.730 1-4GR A 44	ROHR D-4 L.730 1-4GR A 44
6	23294001	STROZZATURA RICIRCOLO GR CTS D 2.5	CTS UNIT D 2.5 RECIRC. NECK	ETRANGLEMENT RECYCLAGE GR.D.2.5	ENGSTELLE UMWÄLZUNG D. 2.5
6	23294003	STROZZATURA RICIRCOLO GR CTS D 4	CTS UNIT D 4 RECIRC. NECK	ETRANGLEMENT RECYCLAGE GR.D.4	ENGSTELLE UMWÄLZUNG D. 4
7	52003934	TUB.D-10 L.210 1G CTS MU/34 GR.> SCAMB.	TUBE D-10 L.210 1G CTS	TUYAU D-10 L.210 1G CTS	ROHR D-10 L.210 1G CTS
8	52000211	TBS.D-10 L.155 DV 12	D-10 155 L PIPE DV 12	TUYAU D-10 L.155 DV 12	ROHR D. 10 L.155 DV 1
9	52000244	TBS.D-6 L.280 DV 45	D-6 280 L PIPE DV 45	TUYAU D-6 L.280 DV 4	ROHR D. 6 L.280 DV 4
10	52000420	TUB.D-6 L.250 1GR GL21	TUBE D-6 L.250 GL21	TUYAU D-6 L.250 GL21	ROHR D-6 L.250 GL21





GL	
5	2GR
6	3GR
7	4GR
GL DISPLAY	
8	2GR
9	3GR
10	4GR

DV-BV	
25	2GR
26	3GR
27	4GR
GL	
28	2GR
29	3GR
30	4GR

GL	
11	2GR
12	3GR
13	4GR

DV-BV	
2GR	23+25
3GR	23+25+26
4GR	23+25+26+27
GL	
2GR	24+28
3GR	24+28+29
4GR	24+28+29+30

- \*  
 - Gruppi rialzati  
 - Raised groups  
 - Groupes rehaussés  
 - Erhoehte Gruppen



Pos	Cod.	Denominazione - IT -	Denomination - GB -	Denomination - FR -	Denomination - DE -
1	52001420	TUB.D-6 L.190 2GR SCTZ AR41 CALD.>PRESS.	TUBE D-6 L.190 2GR	TUYAU D-6 L.190 2GR	ROHR D-6 L.190 2GR
2	52000220	TUB.D-6 L.220 DV 21 FLANGIA > PRESSOST.	D-6 220 L PIPE DV 21	TUYAU D-6 L.220 DV 2	ROHR D. 6 L.220 DV 2
3	52003932	TUBO D-6 L.165	TUBE D-6 L.165	TUYAU D-6 L.165	ROHR D-6 L.165
4	52900110	TUBO D-4 L.730 1-4GR A 44 NI	TUBE D-4 L.730 1-4GR A44 NI ETL	TUYAU D-4 L.730 1-4GR A44 NI ETL	ROHR D-4 L.730 1-4GR A44 NI ETL
5	52000404	TBS.D-4 L.625 GL5	TUBE D-4 L.625 GL5	TUYAU D-4 L.625 GL5	ROHR D-4 L.625 GL5
6	52000413	TBS.D-4 L.750 GL14	TUBE D-4 L.750 GL14	TUYAU D-4 L.750 GL14	ROHR D-4 L.750 GL14
7	52000428	TBS.D-4 L.870 GL29	TUBE D-4 L.870 GL29	TUYAU D-4 L.870 GL29	ROHR D-4 L.870 GL29
8	52000422	TBS.D-4 L.620 GL23	TUBE D-4 L.620 GL23	TUYAU D-4 L.620 GL23	ROHR D-4 L.620 GL23
9	52000423	TBS.D-4 L.750 GL24	TUBE D-4 L.750 GL24	TUYAU D-4 L.750 GL24	ROHR D-4 L.750 GL24
10	52000424	TBS.D-4 L.865 GL25	TUBE D-4 L.865 GL25	TUYAU D-4 L.865 GL25	ROHR D-4 L.865 GL25
11	52000405	TBS.D-4 L.700 GL6	TUBE D-4 L.700 GL6	TUYAU D-4 L.700 GL6	ROHR D-4 L.700 GL6
12	52000414	TBS.D-4 L.800 GL15	TUBE D-4 L.800 GL15	TUYAU D-4 L.800 GL15	ROHR D-4 L.800 GL15
13	52000429	TBS.D-4 L.880 GL30	TUBE D-4 L.880 GL30	TUYAU D-4 L.880 GL30	ROHR D-4 L.880 GL30
14	52000272	TBS.D-10 L.135 DV 73	D-10 135 L PIPE DV 73	TUYAU D-10 L.135 DV 7	ROHR D. 10 L.135 DV 7
15	52000490	TUBO D-10 L.180 GL91	D-10 180 L PIPE GL91	TUYAU D-10 L.180 GL91	ROHR D. 10 L.180 GL91
16	52000214	TBS.D-10 L.195 DV 15 SCAMB.SX (OUT) > GR.	D-10 195 L PIPE DV 15	TUYAU D-10 L.195 DV 1	ROHR D. 10 L.195 DV 1
17	52000489	TUBO D-10 L.240 GL90	D-10 240 L PIPE GL90	TUYAU D-10 L.240 GL90	ROHR D. 10 L.240 GL90
18	52003934	TUB.D-10 L.210 1G CTS MU/34GR.> SCAMB.	TUBE D-10 L.210 1G CTS	TUYAU D-10 L.210 1G CTS	ROHR D-10 L.210 1G CTS
19	52000487	TUBO D-10 L.205 GL88	TUBE D-10 L.205 GL88	TUYAU D-10 L.205 GL88	ROHR D-10 L.205 GL88
20	52000245	TBS.D-10 L.165 DV 46 SCAMB.(IN)> GR.(IN)	D-10 165 L PIPE DV 46	TUYAU D-10 L.165 DV 4	ROHR D. 10 L.165 DV 4
21	52000488	TUBO D-10 L.200 GL89	D-10 200 L PIPE GL89	TUYAU D-10 L.200 GL89	ROHR D. 10 L.200 GL89
22	23294001	STROZZATURA RICIRCOLO GR CTS D 2.5	CTS UNIT D 2.5 RECIRC. NECK	ETRANGLEMENT RECYCLAGE GR.D.2.5	ENGSTELLE UMWÄLZUNG D. 2.5
22	23294003	STROZZATURA RICIRCOLO GR CTS D 4	CTS UNIT D 4 RECIRC. NECK	ETRANGLEMENT RECYCLAGE GR.D.4	ENGSTELLE UMWÄLZUNG D. 4
23	52000230	TUB.D-6 L.240 DV 31 DOSAT.DX > SCAMB.DX	D-6 240 L PIPE DV 31	TUYAU D-6 L.240 DV 3	ROHR D. 6 L.240 DV 3
24	52000403	TUB.D-6 L.310 GL4	TUBE D-6 L.310 GL4	TUYAU D-6 L.310 GL4	ROHR D-6 L.310 GL4
25	52000209	TUB.D-6 L.290 2-3GR DV 10 DOS.DX>INIETT.	D-6 290 L PIPE DV 10	TUYAU D-6 L.290 DV 1	ROHR D. 6 L.290 DV 1
26	52000324	TUB.D-6 L.425 3GR DV 31/A DOS.DX>SCAMB.	D-6 425 L PIPE DV 31/A	TUYAU D-6 L.425 DV 31/	ROHR D. 6 L.425 DV 31/
27	52000337	TUB.D-6 L.500 4GR DV 60/A DOS.DX CENTR.	D-6 500 L PIPE DV 60/A	TUYAU D-6 L.500 DV 60/	ROHR D. 6 L.500 DV 60/
28	52000402	TUB.D-6 L.395 GL3	TUBE D-6 L.395 GL3	TUYAU D-6 L.395 GL3	ROHR D-6 L.395 GL3
29	52000415	TUB.D-6 L.530 GL16	TUBE D-6 L.530 GL16	TUYAU D-6 L.530 GL16	ROHR D-6 L.530 GL16
30	52000430	TUB.D-6 L.590 GL31	TUBE D-6 L.590 GL31	TUYAU D-6 L.590 GL31	ROHR D-6 L.590 GL31



## INDICE - INDEX - SOMMAIRE - VERZEICHNIS

rev.

**INF-01**

Impianto idraulico inferiore - Hydraulic circuit lower  
Circuit hydraulique inférieure - Wasser-anlage unten

**AEP/AEAP**  
**SMSA/SMAT**

**JUN**

**01**  
06/2004

**INF-02**

Impianto idraulico inferiore - Hydraulic circuit lower  
Circuit hydraulique inférieure - Wasser-anlage unten

**AEP/AEAP**  
**SMSA/SMAT**

**1 GR**

**01**  
06/2004

**INF-03**

Impianto idraulico inferiore - Hydraulic circuit lower  
Circuit hydraulique inférieure - Wasser-anlage unten

**AEP/AEAP**  
**SMSA/SMAT**

**2-3-4 GR**

**01**  
06/2004

**INF-04**

Impianto idraulico inferiore - Hydraulic circuit lower  
Circuit hydraulique inférieure - Wasser-anlage unten

**SAE**  
**SME**

**JUN**

**01**  
06/2004

**INF-05**

Impianto idraulico inferiore - Hydraulic circuit lower  
Circuit hydraulique inférieure - Wasser-anlage unten

**SAE**  
**SME**

**1 GR**

**01**  
06/2004

**INF-06**

Impianto idraulico inferiore - Hydraulic circuit lower  
Circuit hydraulique inférieure - Wasser-anlage unten

**SAE**  
**SME**

**2-3-4 GR**

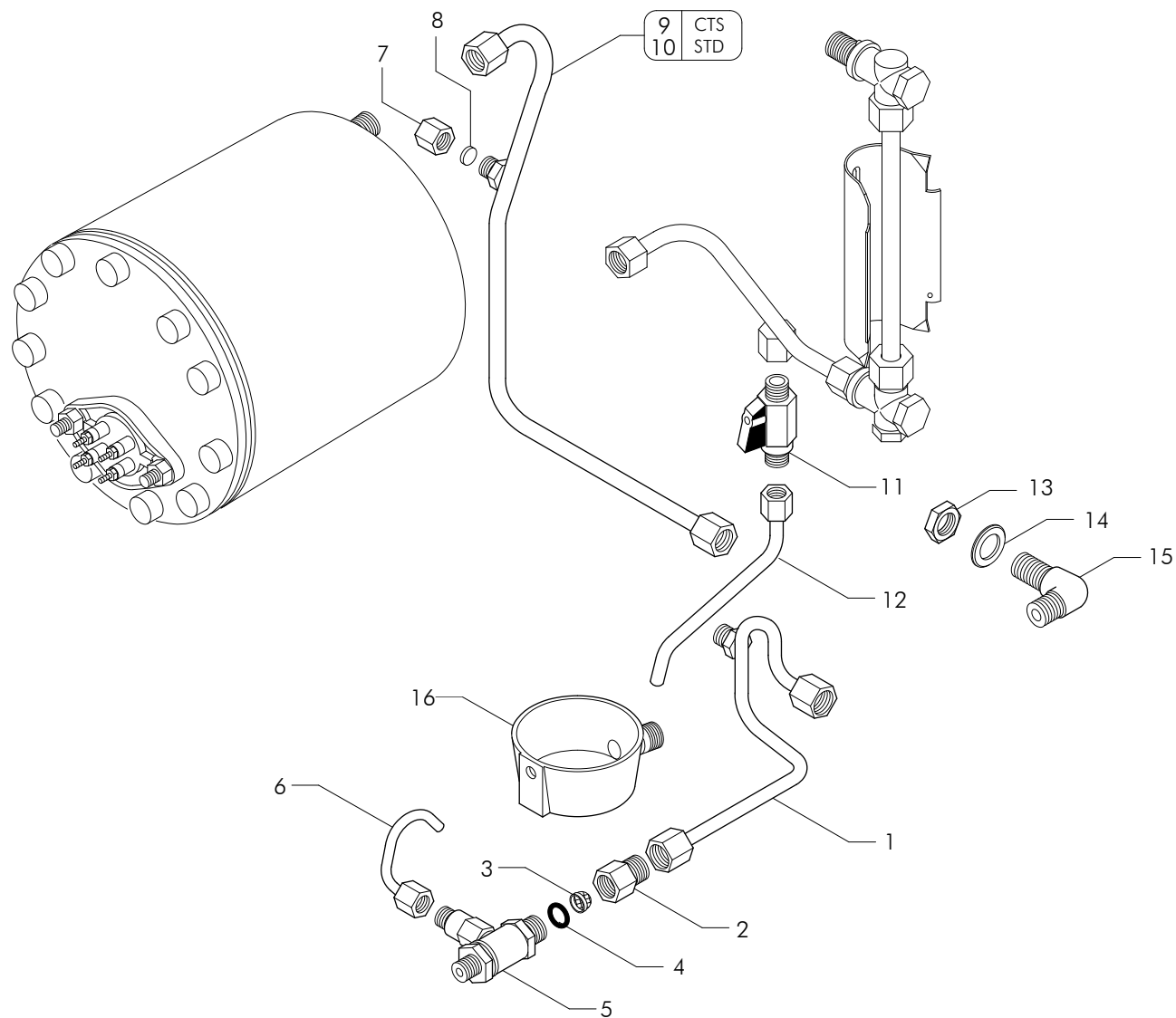
**01**  
06/2004

*Impianto  
idraulico  
inferiore*

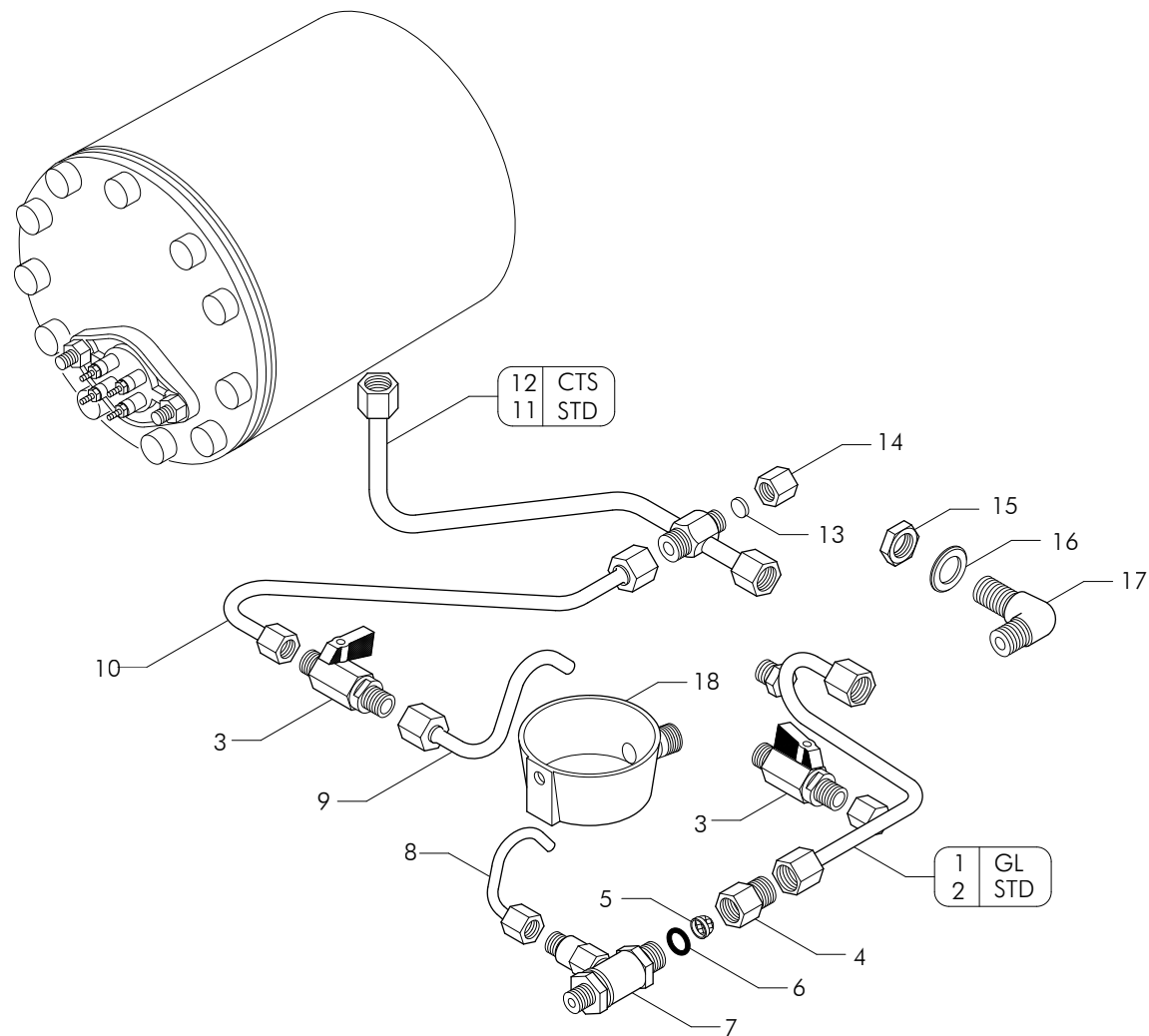
*Hydraulic  
circuit lower*

*Circuit  
hydraulique  
inférieure*

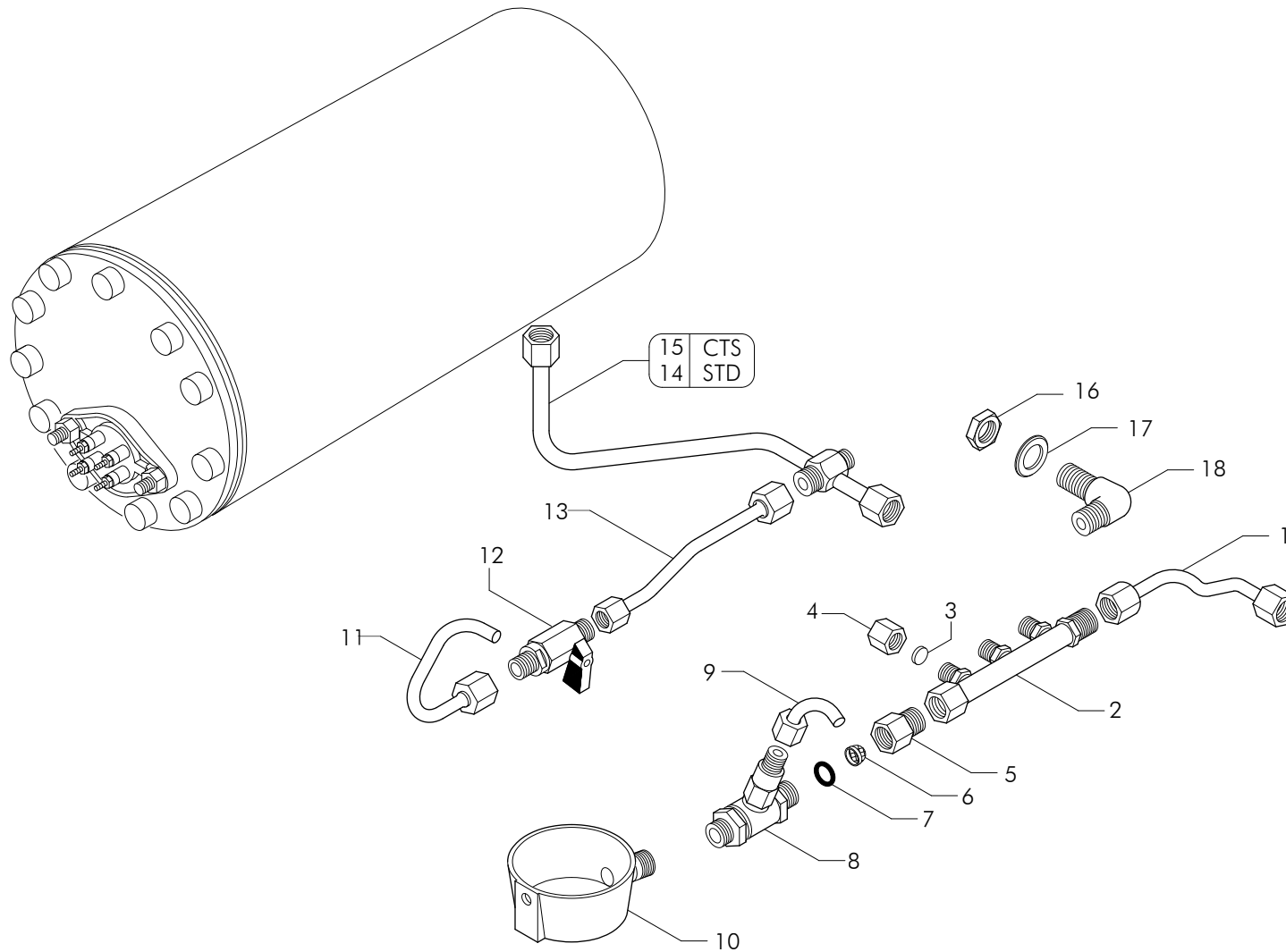
*Wasser-anlage  
unten*



Pos	Cod.	Denominazione - IT -	Denomination - GB -	Denomination - FR -	Denomination - DE -
1	52000268	TUB.D-6 L.130 DV 69 PONTE	D-6 130 L PIPE DV 69	TUYAU D-6 L.130 DV 6	ROHR D. 6 L.130 DV 6
2	25732100	RACCORDO 3/8MX3/8F + SEDE FILTRO	FITTING 3/8MX3/8F	RACCORD 3/8MX3/8F	ANSCHLUSS 3/8MX3/8F
3	10254	FILTRO ACCIAIO 160-200 MESH	STEEL FILTER 160-200 MESH	FILTRE EN ACIER 160-200 MESH	STAHLFILTER 160-200 MESH
4	12312	GUARNIZIONE OR FILTRO AEA 10X2	O RING FOR WATER REFILL FILTER 10X2	JOINT OR FILTRE AUT.REM.EAU 10X2	OR DICHTUNG FUR WASSERFULLUNGFILTER
5	20361	VALVOLA S.C.N.R. REGOLABILE	ADJUSTABLE S.C.N.R. VALVE	SOUPAPE S.C.N.R. REGLABLE	EINSTELLBARES VENTIL S.N.C.R.
6	52001350	TUB.D-6 L.105 2GR SAE LD 41	D-6 105 L PIPE 2GR SAE LD 41	TUYAU D-6 L.105 2GR SAE LD 41	ROHR D-6 L.105 2GR SAE LD 41
7	25782	TAPPO FEMMINA 1/4 GAS	1/4 GAS FEMALE TAP	BOUCHON FEMELLE 1/4 GAZ	INNENANSCHLUSSSTÖPSEL 1/4 GAS
8	12007	GUARNIZIONE KLINGERSIL4400	KLINGERSIL4400 COPPER SEAL	JOINT KLINGERSIL4400 POUR BOUCHON	DICHTUNG KLINGER SIL4400 X DECKEL
9	52001299	TBS.D-10 L.490 1-4GR LD 1CR POMPA	TUBE D-10 L. 490 1-4GR LD 1CR	TUYAU D-10 L.490 1-4GR LD 1CR	ROHR D-10 L.490 1-4GR LD 1CR
10	52000274	TBS.D-10 L.460 JUN DV 75 POMPA	D-10 460 L PIPE DV 75	TUYAU D-10 L.460 DV 7	ROHR D. 10 L.460 DV 7
11	20354	VALVOLA CHIUSURA AEA	PRESSURE RELEASE TAP BULK UNIT	CLAPET FERMETURE AUT.ARRIVEE EAU	ABSPERRVENTIL X AUT.WASSERZUFUHR
12	52000279	TBS.D-8 L.210 DV 80 RUB.SCARICO	D-8 210 L PIPE DV 80	TUYAU D-8 L.210 DV 8	ROHR D. 8 L.210 DV 8
13	25356	CONTRODADO OTTONE 3/8	BRASS LOCK NUT 3/8	CONTRE-ECROU LAITON 3/8	MESSING-GEGENMUTTER 3/8
14	25651	RONDELLA OTTONE 3/8	BRASS WASHER 3/8	RONDELLE LAITON 3/8	MESSINGSCHIEBE 3/8
15	43067	RACCORDO "L" 3/8 GASX3/8 GAS L.30	3/8 GAS X 3/8 GAS L FITTING L.30	RACCORD L 3/8 GAZX3/8 GAZ L.30	ANSCHLUSS L 3/8 GAS X 3/8 GAS L. 30
16	15502	VASCHETTA SCARICO ROTONDA D 80	ROUND DRAIN BASIN D.80MM	CUVE A VIDANGER RONDE D.80MM	RUNDE ABFLUSSCHALE D.80MM

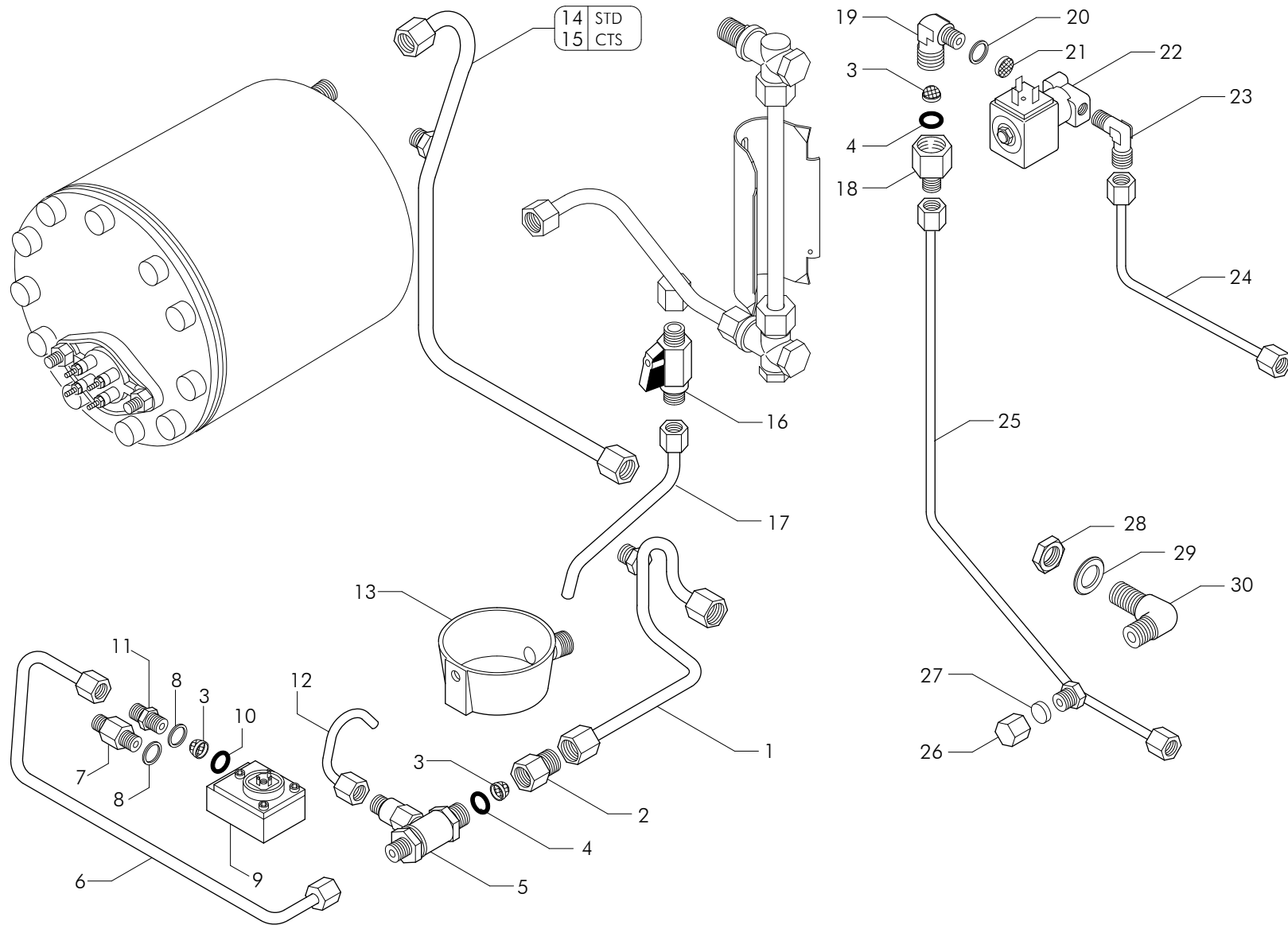


Pos	Cod.	Denominazione - IT -	Denomination - GB -	Denomination - FR -	Denomination - DE -
1	52000427	TBS.D-8 L.230 GL28	TUBE D-8 L.230 GL28	TUYAU D-8 L.230 GL28	ROHR D-8 L.230 GL28
2	52003302	TBS.D-8 L.265	TUBE D-8 L.265	TUYAU D-8 L.265	ROHR D-8 L.265
3	20354	VALVOLA CHIUSURA AEA	PRESSURE RELEASE TAP BULK UNIT	CLAPET FERMETURE AUT.ARRIVEE EAU	ABSPERRVENTIL X AUT.WASSERZUFUHR
3	20354	VALVOLA CHIUSURA AEA	PRESSURE RELEASE TAP BULK UNIT	CLAPET FERMETURE AUT.ARRIVEE EAU	ABSPERRVENTIL X AUT.WASSERZUFUHR
4	25732100	RACCORDO 3/8MX3/8F + SEDE FILTRO	FITTING 3/8MX3/8F	RACCORD 3/8MX3/8F	ANSCHLUSS 3/8MX3/8F
5	10254	FILTRO ACCIAIO 160-200 MESH	STEEL FILTER 160-200 MESH	FILTRE EN ACIER 160-200 MESH	STAHLFILTER 160-200 MESH
6	12312	GUARNIZIONE OR FILTRO AEA 10X2	O RING FOR WATER REFILL FILTER 10X2	JOINT OR FILTRE AUT.REM.EAU 10X2	OR DICHTUNG FUR WASSERFULLUNGFILTER
7	20361	VALVOLA S.C.N.R. REGOLABILE	ADJUSTABLE S.C.N.R. VALVE	SOUPAPE S.C.N.R. REGLABLE	EINSTELLBARES VENTIL S.N.C.R.
8	52001350	TUB.D-6 L.105 2GR SAE LD 41	D-6 105 L PIPE 2GR SAE LD 41	TUYAU D-6 L.105 2GR SAE LD 41	ROHR D-6 L.105 2GR SAE LD 41
9	52000267	TBS.D-8 L.100 DV 68 RUBINETTO SCARICO	D-8 100 L PIPE DV 68	TUYAU D-8 L.100 DV 6	ROHR D. 8 L.100 DV 6
10	52000365	TBS.D-8 L.280 DV 47/A	TUBE D-8 L.280 DV47/A	TUYAU D-8 L.280 DV47/A	ROHR D-8 L.280 DV47/A
11	52001513	TBS.D-10 L.320 AR 63/A POMPA	TUBE D-10 L.320 AR 63/A	TUYAU D-10 L.320 AR 63/A	ROHR D-10 L.320 AR 63/A
12	52002722	TUB.D-6 L.275 2GR AL W 13CALDAIA	TUBE D-6 L.275 W 13	TUYAU D-6 L.275 W 13	ROHR D-6 L.275 W 13
13	12007	GUARNIZIONE KLINGERSIL4400	KLINGERSIL4400 COPPER SEAL	JOINT KLINGERSIL4400 POUR BOUCHON	DICHTUNG KLINGER SIL4400 X DECKEL
14	25782	TAPPO FEMMINA 1/4 GAS	1/4 GAS FEMALE TAP	BOUCHON FEMELLE 1/4 GAZ	INNENANSCHLUSSSTÖPSEL 1/4 GAS
15	25356	CONTRODADO OTTONE 3/8	BRASS LOCK NUT 3/8	CONTRE-ECROU LAITON 3/8	MESSING-GEGENMUTTER 3/8
16	25651	RONDELLA OTTONE 3/8	BRASS WASHER 3/8	RONDELLE LAITON 3/8	MESSINGSCHIEBE 3/8
17	43067	RACCORDO "L" 3/8 GASX3/8 GAS L.30	3/8 GAS X 3/8 GAS L FITTING L.30	RACCORD L 3/8 GAZX3/8 GAZ L.30	ANSCHLUSS L 3/8 GAS X 3/8 GAS L. 30
18	15502	VASCHETTA SCARICO ROTONDA D 80	ROUND DRAIN BASIN D.80MM	CUVE A VIDANGER RONDE D.80MM	RUNDE ABFLUSSCHALE D.80MM

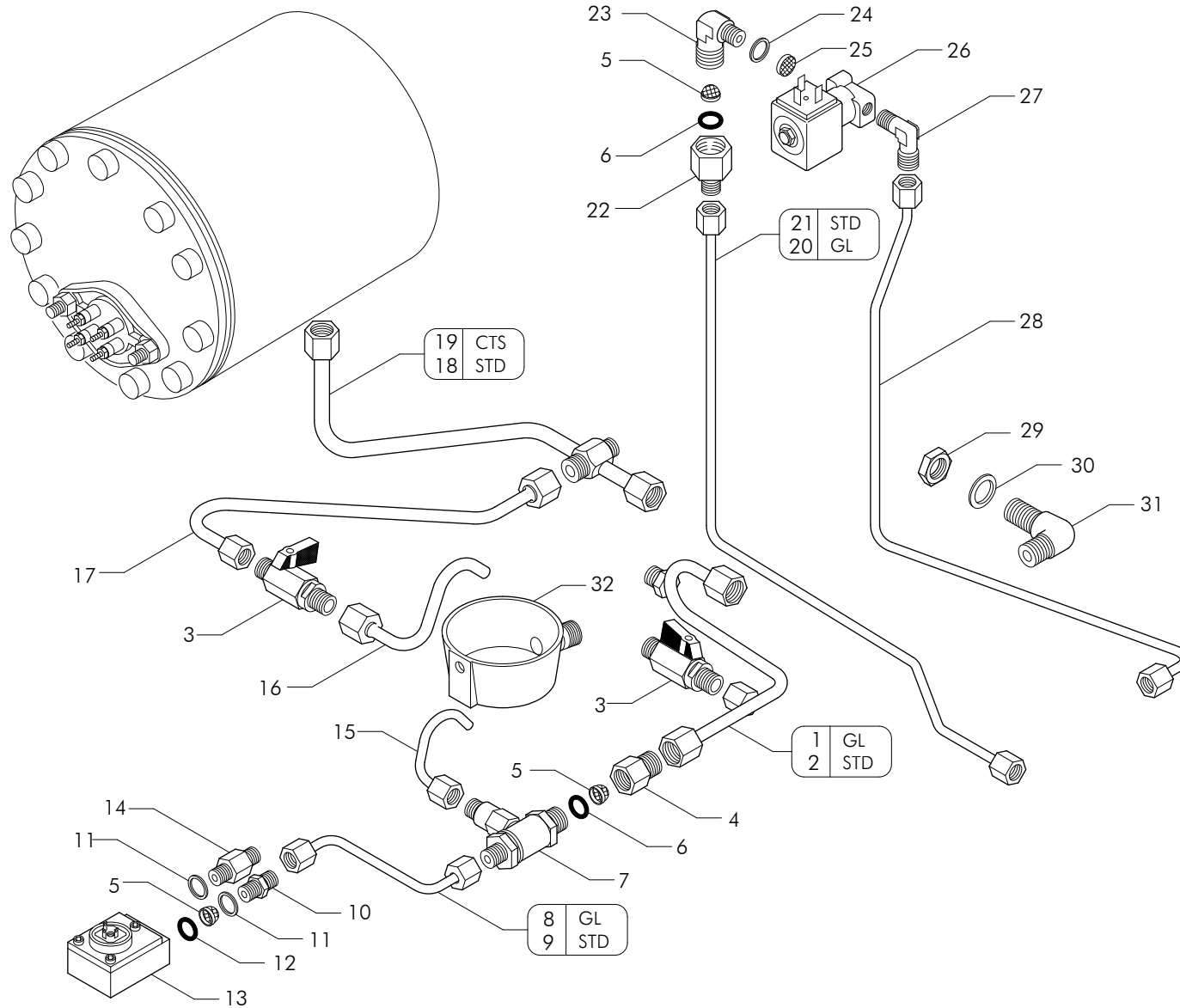


Pos	Cod.	Denominazione - IT -	Denomination - GB -	Denomination - FR -	Denomination - DE -
1	52000367	TBS.D-8 L.150 DV 1/D	TUBE D-8 L.150 DV1/D	TUYAU D-8 L.150 DV1/D	ROHR D-8 L.150 DV1/D
2	56136004	ASSIEME BLOCCO DISTRIBUZ.2-3-4GR	DISTRIBUTION BLOCK 2-3-4GR	BLOC DISTRIBUTION 2-3-4GR	BLOCK VERTEILER 2-3-4GR
3	12007	GUARNIZIONE KLINGERSIL4400	KLINGERSIL4400 COPPER SEAL	JOINT KLINGERSIL4400 POUR BOUCHON	DICHTUNG KLINGER SIL4400 X DECKEL
4	25782	TAPPO FEMMINA 1/4 GAS	1/4 GAS FEMALE TAP	BOUCHON FEMELLE 1/4 GAZ	INNENANSCHLUSSSTÖPSEL 1/4 GAS
5	25732100	RACCORDO 3/8MX3/8F + SEDE FILTRO	FITTING 3/8MX3/8F	RACCORD 3/8MX3/8F	ANSCHLUSS 3/8MX3/8F
6	10254	FILTRO ACCIAIO 160-200 MESH	STEEL FILTER 160-200 MESH	FILTRE EN ACIER 160-200 MESH	STAHLFILTER 160-200 MESH
7	12312	GUARNIZIONE OR FILTRO AEA 10X2	O RING FOR WATER REFILL FILTER 10X2	JOINT OR FILTRE AUT.REM.EAU 10X2	OR DICHTUNG FUR WASSERFULLUNGFILTER
8	20361	VALVOLA S.C.N.R. REGOLABILE	ADJUSTABLE S.C.N.R. VALVE	SOUPAPE S.C.N.R. REGLABLE	EINSTELLBARES VENTIL S.N.C.R.
9	52000336	TUB.D-6 L.270 4GR DV 58/A SCNR	D-6 270 L PIPE DV 58/A	TUYAU D-6 L.270 DV 58/	ROHR D. 6 L.270 DV 58/
9	52001351	TUB.D-6 L.170 2GR SAE LD 42	TUBE D-6 L.170 2GR SAE LD 42	TUYAU D-6 L.170 2GR SAE LD 42	ROHR D-6 L.170 2GR SAE LD 42
9	52002898	TUBO D-6 L.50 3 W169	D-6 50 L3 PIPE W169	TUYAU D-6 L.50 3 W1	ROHR D. 6 L.50 3 W1
10	15502	VASCHETTA SCARICO ROTONDA D 80	ROUND DRAIN BASIN D.80MM	CUVE A VIDANGER RONDE D.80MM	RUNDE ABFLUSSCHALE D.80MM
11	52000267	TBS.D-8 L.100 DV 68 RUBINETTO SCARICO	D-8 100 L PIPE DV 68	TUYAU D-8 L.100 DV 6	ROHR D. 8 L.100 DV 6
11	52000362	TBS.D-8 L.255 DV 68/A	TUBE D-8 L.255 DV 68/A	TUYAU D-8 L.255 DV 68/A	ROHR D-8 L.255 DV 68/A
11	52000363	TBS.D-8 L.380 DV 68/B	TUBE D-8 L.380 DV 68/B	TUYAU D-8 L.380 DV 68/B	ROHR D-8 L.380 DV 68/B
12	20354	VALVOLA CHIUSURA AEA	PRESSURE RELEASE TAP BULK UNIT	CLAPET FERMETURE AUT.ARRIVEE EAU	ABSPERRVENTIL X AUT.WASSERZUFUHR
13	52000361	TBS.D-8 L.13 DV 16/A	TUBE D-8 L.135 DV 16/A	TUYAU D-8 L.135 DV 16/A	ROHR D-8 L.135 DV 16/A
14	52001513	TBS.D-10 L.320 AR 63/A POMPA	TUBE D-10 L.320 AR 63/A	TUYAU D-10 L.320 AR 63/A	ROHR D-10 L.320 AR 63/A
15	52002722	TUB.D-6 L.275 2GR AL W 13CALDAIA	TUBE D-6 L.275 W 13	TUYAU D-6 L.275 W 13	ROHR D-6 L.275 W 13
16	25356	CONTRODADO OTTONE 3/8	BRASS LOCK NUT 3/8	CONTRE-ECROU LAITON 3/8	MESSING-GEGENMUTTER 3/8
17	25651	RONDELLA OTTONE 3/8	BRASS WASHER 3/8	RONDELLE LAITON 3/8	MESSINGSCHIEBE 3/8
18	43067	RACCORDO "L" 3/8 GASX3/8 GAS L.30	3/8 GAS X 3/8 GAS L FITTING L.30	RACCORD L 3/8 GAZX3/8 GAZ L.30	ANSCHLUSS L 3/8 GAS X 3/8 GAS L. 30

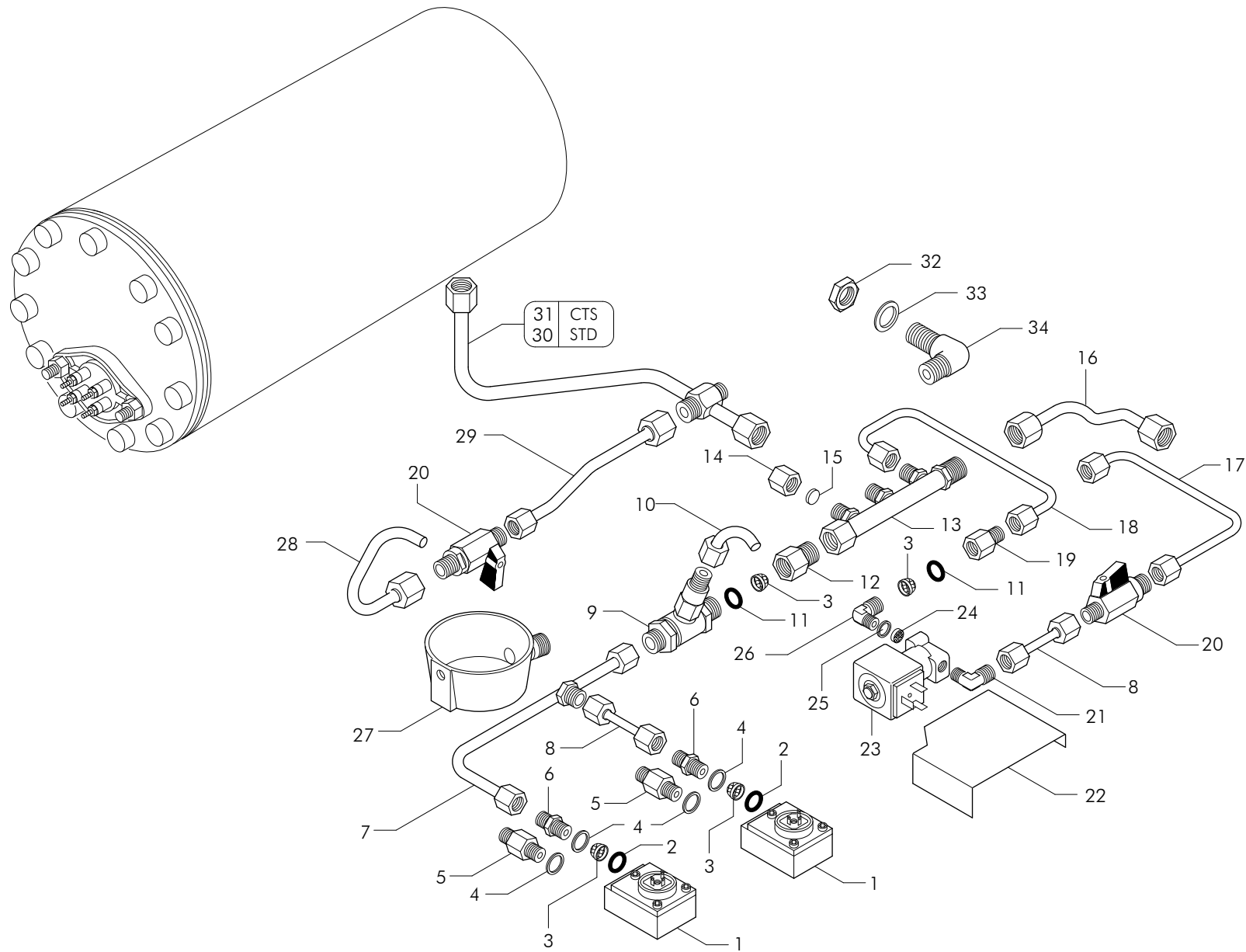




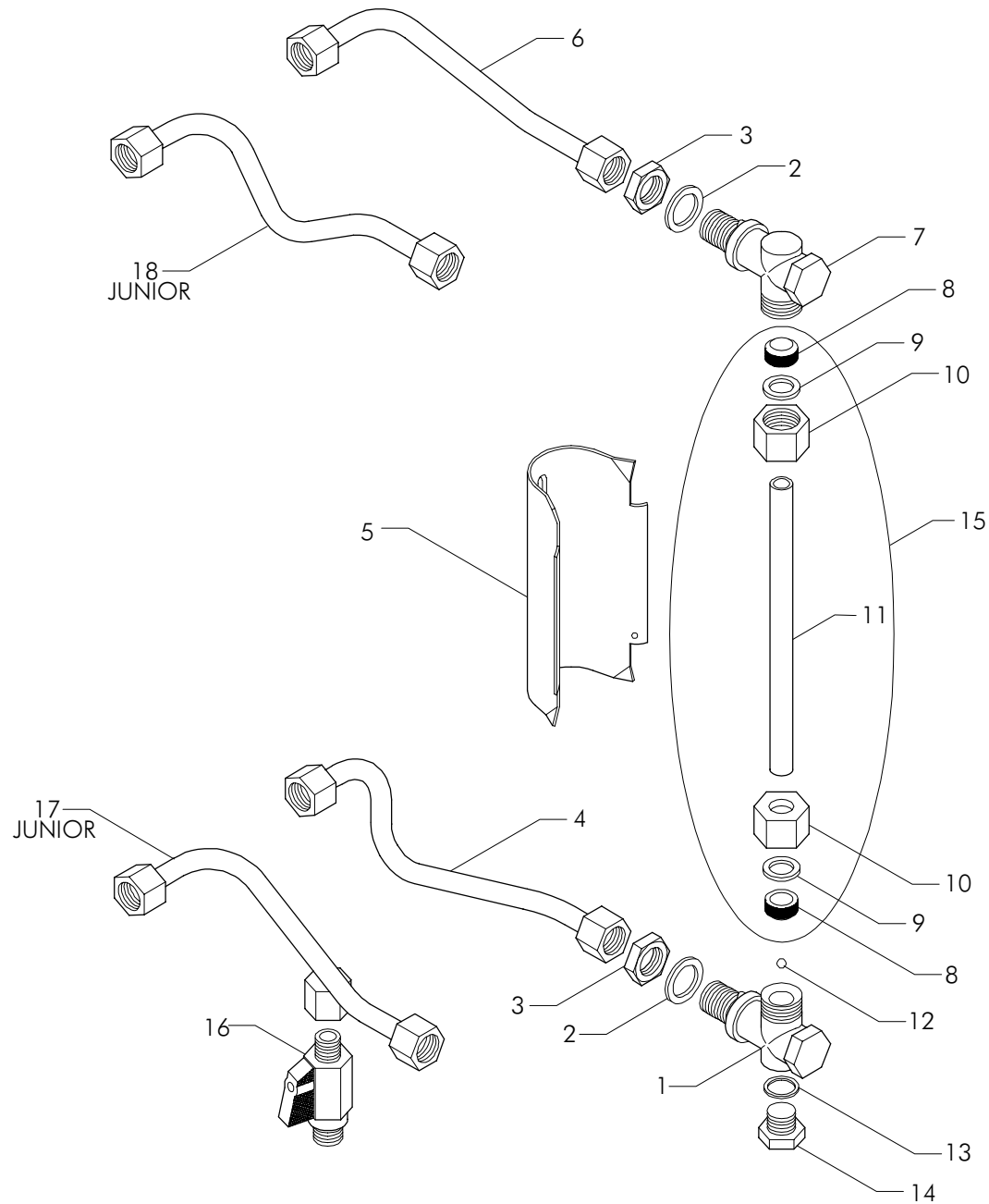
Pos	Cod.	Denominazione - IT -	Denomination - GB -	Denomination - FR -	Denomination - DE -
1	52000268	TUB.D-6 L.130 DV 69 PONTE	D-6 130 L PIPE DV 69	TUYAU D-6 L.130 DV 6	ROHR D. 6 L.130 DV 6
2	25732100	RACCORDO 3/8MX3/8F + SEDE FILTRO	FITTING 3/8MX3/8F	RACCORD 3/8MX3/8F	ANSCHLUSS 3/8MX3/8F
3	10254	FILTRO ACCIAIO 160-200 MESH	STEEL FILTER 160-200 MESH	FILTRE EN ACIER 160-200 MESH	STAHLFILTER 160-200 MESH
4	12312	GUARNIZIONE OR FILTRO AEA 10X2	O RING FOR WATER REFILL FILTER 10X2	JOINT OR FILTRE AUT.REM.EAU 10X2	OR DICHTUNG FUR WASSERFULLUNGFILTER
5	20361	VALVOLA S.C.N.R. REGOLABILE	ADJUSTABLE S.C.N.R. VALVE	SOUPAPE S.C.N.R. REGLABLE	EINSTELLBARES VENTIL S.N.C.R.
6	52000348	TBS.D-6 L.260 JUN DV 71/A SCNR REG	D-6 260 L PIPE JUN DV 71/A	TUYAU D-6 L.260 JUN DV 71/A	ROHR D-6 L.260 JUN DV 71/A
7	25708	RACCORDO 1/4X1/4	1/4X1/4 FITTING	RACCORD 1/4X1/4	ANSCHLUSS 1/4X1/4
8	12153	GUARNIZIONE CU 1/4 17X13.3X1.5	1/4 17X13.3X1.5 COPPER SEAL	JOINT CUIVRE 1/4 17X13.3X1.5	KUPFERDICHTUNG 1/4 17X13.3X1.5
9	18126	DOSATORE FLOWMETER FH 12 909602	FH 12 907613 FLOWMETER DOSER	DOSEUR FLOWMETER FH 12 907613	DOSIERER FLOWMETER FH 12 907613
10	12329	GUARNIZIONE OR 2031 VITON 7.66XW1.78	O RING 2031 VITON 7.66XW1.78	JOINT OR 2031 VITON 7.66X1.78	OR DICHTUNG 2031 VITON 7.66XW1.78
11	25686	RACCORDO 1/4X1/4 FLANGIA	CONNECTOR 1/4 X 1/4 FLANGE	RACCORD 1/4 X 1/4 BRIDE	ANSCHLUSS 1/4X1/4 FLANSCH
12	52001350	TUB.D-6 L.105 2GR SAE LD 41	D-6 105 L PIPE 2GR SAE LD 41	TUYAU D-6 L.105 2GR SAE LD 41	ROHR D-6 L.105 2GR SAE LD 41
13	15502	VASCHETTA SCARICO ROTONDA D 80	ROUND DRAIN BASIN D.80MM	CUVE A VIDANGER RONDE D.80MM	RUNDE ABFLUSSCHALE D.80MM
14	52001299	TBS.D-10 L.490 1-4GR LD 1CR POMPA	TUBE D-10 L. 490 1-4GR LD 1CR	TUYAU D-10 L.490 1-4GR LD 1CR	ROHR D-10 L.490 1-4GR LD 1CR
15	52000274	TBS.D-10 L.460 JUN DV 75 POMPA	D-10 460 L PIPE DV 75	TUYAU D-10 L.460 DV 7	ROHR D. 10 L.460 DV 7
16	20354	VALVOLA CHIUSURA AEA	PRESSURE RELEASE TAP BULK UNIT	CLAPET FERMETURE AUT.ARRIVEE EAU	ABSPERRVENTIL X AUT.WASSERZUFUHR
17	52000279	TBS.D-8 L.210 DV 80 RUB.SCARICO	D-8 210 L PIPE DV 80	TUYAU D-8 L.210 DV 8	ROHR D. 8 L.210 DV 8
18	25705	RACCORDO FILTRO AEA	AUT.WATER REFILL FILTER CONNECTOR	RACCORD FILTRE REM.EAU.AUT.	FILTERFITTING AUT.WASSERFULLUNG
19	23217	RACCORDO GOMITO D10 3/8X1/8 CON AEA	FITTING D10 3/8X1/8 WITH AWI F 1.2	RACCORD GOMME D10 3/8X1/8 AEE F 1.2	FITTING D10 3/8X1/8 MIT A.W.F. 1.2
20	12155	GUARNIZIONE CU 8.5X5X1	COPPER GASKET 8.5X5X1	JOINT CU 8.5X5X1	CU DICHTUNG 8.5X5X1
21	10251001	FILTRO IN ACCIAIO D-8 SP.0,3	STEEL FILTER D-8 - 0.3 THICK	FILTRE EN ACIER D-8 EP.0,3	STAHLFILTER D-8 SP.0,3
22	18162002	ELETTROVALVOLA 230V AEA VDE	SOL.VALVE WATER REFILL 230V PARKER	ELECTROVANNE REA 230V PARKER	ELEKTROVENTIL AWZ 230V PARKER
22	18195	ELETTROVALVOLA 120V VE140.2IR VDE/UL	SOLENOID VALVE SCEM 2/2 110V 60HZ	ELECTROVANNE SCEM 2/2 110V 60HZ	MAGNETVENTIL SCEM 2/2 110V 60HZ
23	23201	RACCORDO OTT.GOM.D6.2 1/4X1/8-AEA	ELBOW BRASS CONNECTOR D6.2 1/4X1/8	RACCORD COUDE LAITON D6.2 1/4X1/8	MESSING-ANSCHLUSS D6.2 1/4X1/8
24	52000115	TUB.D-6 L.160 1-4GR NUOVE A 48/A A.E.A.	TUBE D-6 L.160 1-4GR NEW A 48/A	TUYAU D-6 L.160 1-4GR NOUVEAUA 48/A	ROHR D-6 L. 160 1-4 GR A 48/A
25	52000344	TBS.D-6 L.550 1GR DV 42/C TUB.DV 1/C	TUBE D-6 L.530	TUYAU D-6 L.530	ROHR D-6 L.530
26	25782	TAPPO FEMMINA 1/4 GAS	1/4 GAS FEMALE TAP	BOUCHON FEMELLE 1/4 GAZ	INNENANSCHLUSSSTÖPSEL 1/4 GAS
27	12007	GUARNIZIONE KLINGERSIL4400	KLINGERSIL4400 COPPER SEAL	JOINT KLINGERSIL4400 POUR BOUCHON	DICHTUNG KLINGER SIL4400 X DECKEL
28	25356	CONTRODADO OTTONE 3/8	BRASS LOCK NUT 3/8	CONTRE-ECROU LAITON 3/8	MESSING-GEGENMUTTER 3/8
29	25651	RONDELLA OTTONE 3/8	BRASS WASHER 3/8	RONDELLE LAITON 3/8	MESSINGSCHIEBE 3/8
30	43067	RACCORDO "L" 3/8 GASX3/8 GAS L.30	3/8 GAS X 3/8 GAS L FITTING L.30	RACCORD L 3/8 GAZX3/8 GAZ L.30	ANSCHLUSS L 3/8 GAS X 3/8 GAS L. 30



Pos	Cod.	Denominazione - IT -	Denomination - GB -	Denomination - FR -	Denomination - DE -
1	52000427	TBS.D-8 L.230 GL28	TUBE D-8 L.230 GL28	TUYAU D-8 L.230 GL28	ROHR D-8 L.230 GL28
2	52003302	TBS.D-8 L.265	TUBE D-8 L.265	TUYAU D-8 L.265	ROHR D-8 L.265
3	20354	VALVOLA CHIUSURA AEA	PRESSURE RELEASE TAP BULK UNIT	CLAPET FERMETURE AUT.ARRIVEE EAU	ABSPERRVENTIL X AUT.WASSERZUFUHR
4	25732100	RACCORDO 3/8MX3/8F + SEDE FILTRO	FITTING 3/8MX3/8F	RACCORD 3/8MX3/8F	ANSCHLUSS 3/8MX3/8F
5	10254	FILTRO ACCIAIO 160-200 MESH	STEEL FILTER 160-200 MESH	FILTRE EN ACIER 160-200 MESH	STAHLFILTER 160-200 MESH
6	12312	GUARNIZIONE OR FILTRO AEA 10X2	O RING FOR WATER REFILL FILTER 10X2	JOINT OR FILTRE AUT.REM.EAU 10X2	OR DICHTUNG FUR WASSERFULLUNGFILTER
7	20361	VALVOLA S.C.N.R. REGOLABILE	ADJUSTABLE S.C.N.R. VALVE	SOUPAPE S.C.N.R. REGLABLE	EINSTELLBARES VENTIL S.N.C.R.
8	52000425	TUB.D-6 L.115 GL26	TUBE D-6 L.115 GL26	TUYAU D-6 L.115 GL26	ROHR D-6 L.115 GL26
9	52000359	TUB.D-6 L.180 DV 44/B	D-6 180 L PIPE DV 44/B	TUYAU D-6 L.180 DV 44/B	ROHR D-6 L.180 DV 44/B
10	25686	RACCORDO 1/4X1/4 FLANGIA	CONNECTOR 1/4 X 1/4 FLANGE	RACCORD 1/4 X 1/4 BRIDE	ANSCHLUSS 1/4X1/4 FLANSCH
11	12153	GUARNIZIONE CU 1/4 17X13.3X1.5	1/4 17X13.3X1.5 COPPER SEAL	JOINT CUIVRE 1/4 17X13.3X1.5	KUPFERDICHTUNG 1/4 17X13.3X1.5
12	12329	GUARNIZIONE OR 2031 VITON 7.66XW1.78	O RING 2031 VITON 7.66XW1.78	JOINT OR 2031 VITON 7.66X1.78	OR DICHTUNG 2031 VITON 7.66XW1.78
13	18126	DOSATORE FLOWMETER FH 12 909602	FH 12 907613 FLOWMETER DOSER	DOSEUR FLOWMETER FH 12 907613	DOSIERER FLOWMETER FH 12 907613
14	25708	RACCORDO 1/4X1/4	1/4X1/4 FITTING	RACCORD 1/4X1/4	ANSCHLUSS 1/4X1/4
15	52001350	TUB.D-6 L.105 2GR SAE LD 41	D-6 105 L PIPE 2GR SAE LD 41	TUYAU D-6 L.105 2GR SAE LD 41	ROHR D-6 L.105 2GR SAE LD 41
16	52000267	TBS.D-8 L.100 DV 68 RUBINETTO SCARICO	D-8 100 L PIPE DV 68	TUYAU D-8 L.100 DV 6	ROHR D. 8 L.100 DV 6
17	52000365	TBS.D-8 L.280 DV 47/A	TUBE D-8 L.280 DV47/A	TUYAU D-8 L.280 DV47/A	ROHR D-8 L.280 DV47/A
18	52001513	TBS.D-10 L.320 AR 63/A POMPA	TUBE D-10 L.320 AR 63/A	TUYAU D-10 L.320 AR 63/A	ROHR D-10 L.320 AR 63/A
19	52002722	TUB.D-6 L.275 2GR AL W 13CALDATA	TUBE D-6 L.275 W 13	TUYAU D-6 L.275 W 13	ROHR D-6 L.275 W 13
20	52000426	TUB.D-6 L.550 GL27	TUBE D-6 L.550 GL27	TUYAU D-6 L.550 GL27	ROHR D-6 L.550 GL27
21	52003303	TUBO D-6 L.600 CW 4	TUBE D-6 L.600 CW 4	TUYAU D-6 L.600 CW 4	ROHR D-6 L.600 CW 4
22	25705	RACCORDO FILTRO AEA	AUT.WATER REFILL FILTER CONNECTOR	RACCORD FILTRE REM.EAU.AUT.	FILTERFITTING AUT.WASSERFULLUNG
23	23217	RACCORDO GOMITO D10 3/8X1/8 CON AEA	FITTING D10 3/8X1/8 WITH AWI F 1.2	RACCORD GOMME D10 3/8X1/8 AEE F 1.2	FITTING D10 3/8X1/8 MIT A.W.F. 1.2
24	12155	GUARNIZIONE CU 8.5X5X1	COPPER GASKET 8.5X5X1	JOINT CU 8.5X5X1	CU DICHTUNG 8.5X5X1
25	10251001	FILTRO IN ACCIAIO D-8 SP.0,3	STEEL FILTER D-8 - 0.3 THICK	FILTRE EN ACIER D-8 EP.0,3	STAHLFILTER D-8 SP.0,3
26	18162002	ELETTRIVALVOLA 230V AEA VDE	SOL.VALVE WATER REFILL 230V PARKER	ELECTROVANNE REA 230V PARKER	ELEKTROVENTIL AWZ 230V PARKER
26	18195	ELETTRIVALVOLA 120V VE140.2IR VDE/UL	SOLENOID VALVE SCEM 2/2 110V 60HZ	ELECTROVANNE SCEM 2/2 110V 60HZ	MAGNETVENTIL SCEM 2/2 110V 60HZ
27	23201	RACCORDO OTT.GOM.D6.2 1/4X1/8-AEA	ELBOW BRASS CONNECTOR D6.2 1/4X1/8	RACCORD COUDE LAITON D6.2 1/4X1/8	MESSING-ANSCHLUSS D6.2 1/4X1/8
28	52000366	TUB.D-6 L.585 DV 43/A	TUBE D-6 L.585 DV 43/A	TUYAU D-6 L.585 DV 43/A	ROHR D-6 L.585 DV 43/A
29	25356	CONTRODADO OTTONE 3/8	BRASS LOCK NUT 3/8	CONTRE-ECROU LAITON 3/8	MESSING-GEGENMUTTER 3/8
30	25651	RONDELLA OTTONE 3/8	BRASS WASHER 3/8	RONDELLE LAITON 3/8	MESSINGSCHIBE 3/8
31	43067	RACCORDO "L" 3/8 GASX3/8 GAS L.30	3/8 GAS X 3/8 GAS L FITTING L.30	RACCORD L 3/8 GAZX3/8 GAZ L.30	ANSCHLUSS L 3/8 GAS X 3/8 GAS L. 30
32	15502	VASCHETTA SCARICO ROTONDA D 80	ROUND DRAIN BASIN D.80MM	CUVE A VIDANGER RONDE D.80MM	RUNDE ABFLUSSCHALE D.80MM



Pos	Cod.	Denominazione - IT -	Denomination - GB -	Denomination - FR -	Denomination - DE -
1	18126	DOSATORE FLOWMETER FH 12 909602	FH 12 907613 FLOWMETER DOSER	DOSEUR FLOWMETER FH 12 907613	DOSIERER FLOWMETER FH 12 907613
2	12329	GUARNIZIONE OR 2031 VITON 7.66XW1.78	O RING 2031 VITON 7.66XW1.78	JOINT OR 2031 VITON 7.66X1.78	OR DICHTUNG 2031 VITON 7.66XW1.78
3	10254	FILTRO ACCIAIO 160-200 MESH	STEEL FILTER 160-200 MESH	FILTRE EN ACIER 160-200 MESH	STAHLFILTER 160-200 MESH
4	12153	GUARNIZIONE CU 1/4 17X13.3X1.5	1/4 17X13.3X1.5 COPPER SEAL	JOINT CUIVRE 1/4 17X13.3X1.5	KUPFERDICHTUNG 1/4 17X13.3X1.5
5	25708	RACCORDO 1/4X1/4	1/4X1/4 FITTING	RACCORD 1/4X1/4	ANSCHLUSS 1/4X1/4
6	25686	RACCORDO 1/4X1/4 FLANGIA	CONNECTOR 1/4 X 1/4 FLANGE	RACCORD 1/4 X 1/4 BRIDE	ANSCHLUSS 1/4X1/4 FLANSCH
7	52000320	TBS.D-8 L.215 DV 2/A	D-8 215 L PIPE DV 2/A	TUYAU D-8 L.215 DV 2/	ROHR D. 8 L.215 DV 2/
7	52000322	TBS.D-8 L.440 DV 29/A	D-8 445 L PIPE DV 29/A	TUYAU D-8 L.445 DV 29/	ROHR D. 8 L.445 DV 29/
7	52000335	TBS.D-8 L.680 DV 57/A SCNR > DOSATORE	D-8 680 L PIPE DV 57/A	TUYAU D-8 L.680 DV 57/	ROHR D. 8 L.680 DV 57/
8	52000202	TBS.D-6 L.65 DV 3	D-6 65 L PIPE DV 3	TUYAU D-6 L.65 DV	ROHR D. 6 L.65 DV
9	20361	VALVOLA S.C.N.R. REGOLABILE	ADJUSTABLE S.C.N.R. VALVE	SOUPAPE S.C.N.R. REGLABLE	EINSTELLBARES VENTIL S.N.C.R.
10	52000033	TUB.D-8 L.575 2-4GR EL.RIO A 14/DB	TUBE D-8 L.575	TUYAU D-8 L.575	ROHR D-8 L.575
10	52001351	TUB.D-6 L.170 2GR SAE LD 42	TUBE D-6 L.170 2GR SAE LD 42	TUYAU D-6 L.170 2GR SAE LD 42	ROHR D-6 L.170 2GR SAE LD 42
10	52002898	TUBO D-6 L.50 3 W169	D-6 50 L3 PIPE W169	TUYAU D-6 L.50 3 W1	ROHR D. 6 L.50 3 W1
11	12312	GUARNIZIONE OR FILTRO AEA 10X2	O RING FOR WATER REFILL FILTER 10X2	JOINT OR FILTRE AUT.REM.EAU 10X2	OR DICHTUNG FUR WASSERFULLUNGFILTER
12	25732100	RACCORDO 3/8MX3/8F + SEDE FILTRO	FITTING 3/8MX3/8F	RACCORD 3/8MX3/8F	ANSCHLUSS 3/8MX3/8F
13	56136004	ASSIEME BLOCCO DISTRIBUZ.2-3-4GR	DISTRIBUTION BLOCK 2-3-4GR	BLOC DISTRIBUTION 2-3-4GR	BLOCK VERTEILER 2-3-4GR
14	25782	TAPPO FEMMINA 1/4 GAS	1/4 GAS FEMALE TAP	BOUCHON FEMELLE 1/4 GAZ	INNENANSCHLUSSSTÖPSEL 1/4 GAS
15	12007	GUARNIZIONE KLINGERSIL4400	KLINGERSIL4400 COPPER SEAL	JOINT KLINGERSIL4400 POUR BOUCHON	DICHTUNG KLINGER SIL4400 X DECKEL
16	52000367	TBS.D-8 L.150 DV 1/D	TUBE D-8 L.150 DV1/D	TUYAU D-8 L.150 DV1/D	ROHR D-8 L.150 DV1/D
17	52000205	TUB.D-6 L.230 DV 6	D-6 230 L PIPE DV 6	TUYAU D-6 L.230 DV	ROHR D. 6 L.230 DV
18	52000321	TBS.D-6 L.255 DV 5/A	D-6 255 L PIPE DV 5/A	TUYAU D-6 L.255 DV 5/	ROHR D. 6 L.255 DV 5/
19	25705	RACCORDO FILTRO AEA	AUT.WATER REFILL FILTER CONNECTOR	RACCORD FILTRE REM.EAU.AUT.	FILTERFITTING AUT.WASSERFULLUNG
20	20354	VALVOLA CHIUSURA AEA	PRESSURE RELEASE TAP BULK UNIT	CLAPET FERMETURE AUT.ARRIVEE EAU	ABSPERRVENTIL X AUT.WASSERZUFUHR
21	23201	RACCORDO OTT.GOM.D6.2 1/4X1/8-AEA	ELBOW BRASS CONNECTOR D6.2 1/4X1/8	RACCORD COUDE LAITON D6.2 1/4X1/8	MESSING-ANSCHLUSS D6.2 1/4X1/8
22	77604	COPRIELETTRIVALVOLA AEA WO/WN	AEA SOLENOID VALVE COVER	COUVRE-ELECTROVANNE AEA	ABDECKUNG ELEKTROVENTIL AEA
23	18162002	ELETTRIVALVOLA 230V AEA VDE	SOL.VALVE WATER REFILL 230V PARKER	ELECTROVANNE REA 230V PARKER	ELEKTROVENTIL AWZ 230V PARKER
23	18195	ELETTRIVALVOLA 120V VE140.2IR VDE/UL	SOLENOID VALVE SC2M 2/2 110V 60HZ	ELECTROVANNE SC2M 2/2 110V 60HZ	MAGNETVENTIL SC2M 2/2 110V 60HZ
24	10251001	FILTRO IN ACCIAIO D-8 SP.0,3	STEEL FILTER D-8 - 0.3 THICK	FILTRE EN ACIER D-8 EP.0,3	STAHLFILTER D-8 SP.0,3
25	12155	GUARNIZIONE CU 8.5X5X1	COPPER GASKET 8.5X5X1	JOINT CU 8.5X5X1	CU DICHTUNG 8.5X5X1
26	23217	RACCORDO GOMITO D10 3/8X1/8 CON AEA	FITTING D10 3/8X1/8 WITH AWI F 1.2	RACCORD GOMME D10 3/8X1/8 AEE F 1.2	FITTING D10 3/8X1/8 MIT A.W.F. 1.2
27	15502	VASCETTA SCARICO ROTONDA D 80	ROUND DRAIN BASIN D.80MM	CUVE A VIDANGER RONDE D.80MM	RUNDE ABFLUSSCHALE D.80MM
28	52000267	TBS.D-8 L.100 DV 68 RUBINETTO SCARICO	D-8 100 L PIPE DV 68	TUYAU D-8 L.100 DV 6	ROHR D. 8 L.100 DV 6
28	52000362	TBS.D-8 L.255 DV 68/A	TUBE D-8 L.255 DV 68/A	TUYAU D-8 L.255 DV 68/A	ROHR D-8 L.255 DV 68/A
28	52000363	TBS.D-8 L.380 DV 68/B	TUBE D-8 L.380 DV 68/B	TUYAU D-8 L.380 DV 68/B	ROHR D-8 L.380 DV 68/B
29	52000361	TBS.D-8 L.13 DV 16/A	TUBE D-8 L.135 DV 16/A	TUYAU D-8 L.135 DV 16/A	ROHR D-8 L.135 DV 16/A
30	52001513	TBS.D-10 L.320 AR 63/A POMPA	TUBE D-10 L.320 AR 63/A	TUYAU D-10 L.320 AR 63/A	ROHR D-10 L.320 AR 63/A
31	52002722	TUB.D-6 L.275 2GR AL W 13CALDAIA	TUBE D-6 L.275 W 13	TUYAU D-6 L.275 W 13	ROHR D-6 L.275 W 13
32	25356	CONTRODADO OTTONE 3/8	BRASS LOCK NUT 3/8	CONTRE-ECROU LAITON 3/8	MESSING-GEGENMUTTER 3/8
33	25651	RONDELLA OTTONE 3/8	BRASS WASHER 3/8	RONDELLE LAITON 3/8	MESSINGSCHIEBE 3/8
34	43067	RACCORDO "L" 3/8 GASX3/8 GAS L.30	3/8 GAS X 3/8 GAS L FITTING L.30	RACCORD L 3/8 GAZX3/8 GAZ L.30	ANSCHLUSS L 3/8 GAS X 3/8 GAS L. 30



Pos	Cod.	Denominazione - IT -	Denomination - GB -	Denomination - FR -	Denomination - DE -
1	53001	CORPO LIVELLO INFERIORE	LOWER LEVEL CONNECTOR	CORPS DE NIVEAU INFERIEUR	UNTERNIVEAUKORPER
2	25651	RONDELLA OTTONE 3/8	BRASS WASHER 3/8	RONDELLE LAITON 3/8	MESSINGSCHEIBE 3/8
3	25356	CONTRODADO OTTONE 3/8	BRASS LOCK NUT 3/8	CONTRE-ECROU LAITON 3/8	MESSING-GEGENMUTTER 3/8
4	52000208	TBS.D-10 L.270 DV 9 CALDAIA	D-10 270 L PIPE DV 9	TUYAU D-10 L.270 DV	ROHR D. 10 L.270 DV
5	44002	COPRILIVELLO VERNICIATO BIANCO	LEVEL INDICATOR COVER PAINTED WHITE	COUVRE-NIVEAU LAQUE BLANC	NIVEAUDECKEL
6	52000207	TBS.D-10 L.220 1-4GR DV 8 CALDAIA	D-10 220 L PIPE DV 8	TUYAU D-10 L.220 DV	ROHR D. 10 L.220 DV
7	53002	CORPO LIVELLO SUPERIORE	UPPER LEVEL BODY	CORPS DE NIVEAU SUPERIEUR	OBERNIVEAUKORPER
8	12200	GUARNIZIONE GOMMA X LIVELLO 16X10X8	SIGHT GLASS RUBBER GASKET 16X10X8	JOINT CAOUTCHOUC DE NIVEAU 16X10X8	GUMMIDICHTUNG FÜR NIVEAU 16X10X8 ABGEKAN
9	25652	RONDELLA OTTONE D17.8	BRASS WASHER D.17.8	RONDELLE LAITON D.17.8	MESSING-SCHEIBE D.17.8
10	25383	DADO OTTONE M20X1.5	BRASS NUT 20X1.5	ECROU LAITON 20X1.5	MESSING-MUTTER 20X1.5
11	21300	TUBO VETRO PIREX LIVELLO 11X8X170	PYREX GLASS LEVEL TUBE 11X8X170	TUBE NIVEAU EN VERRE PYREX 11X8X170	NIVEAU GLASROHR 11X8X170
12	15300	PALLINA LIVELLO D7	LEVEL-INDICATING BALL D6.5	FLOTTEUR NIVEAU D'EAU D6.5	KUGEL DES NIVEAUANZEIGER D6.5
13	12153	GUARNIZIONE CU 1/4 17X13.3X1.5	1/4 17X13.3X1.5 COPPER SEAL	JOINT CUIVRE 1/4 17X13.3X1.5	KUPFERDICHTUNG 1/4 17X13.3X1.5
14	25780	TAPPO MASCHIO OTTONE 1/4	BRASS MALE CAP 1/4	BOUCHON MALE LAITON 1/4	MESSING-STOPFEN 1/4
15	56001	ASSIEME TUBO LIVELLO	LEVEL TUBE UNIT	ENSEMBLE TUBE DE NIVEAU	ROHRSATZ FUR NIVEAU
16	20354	VALVOLA CHIUSURA AEA	PRESSURE RELEASE TAP BULK UNIT	CLAPET FERMETURE AUT.ARRIVEE EAU	ABSPERRVENTIL X AUT.WASSERZUFUHR
17	52000276	TBS.D-10 L.220 DV 77 CALDAIA	D-10 220 L PIPE DV 77	TUYAU D-10 L.220 DV 7	ROHR D. 10 L.220 DV 7
18	52000275	TBS.D-10 L.230 DV 76 CALDAIA	D-10 230 L PIPE DV 76	TUYAU D-10 L.230 DV 7	ROHR D. 10 L.230 DV 7



## INDICE - INDEX - SOMMAIRE - VERZEICHNIS

# MOT

rev.

**MOT-01**

Motopompa - Motor pump  
Motopompe - Motor pump

**STANDARD**

**02**  
04/2009

**MOT-02**

Motopompa - Motor pump  
Motopompe - Motor pump

**COMPATTA - ECO**

**02**  
04/2009

**MOT-03**

Motopompa - Motor pump  
Motopompe - Motor pump

**CK/CKE - CKX/CKXE**

**02**  
04/2009

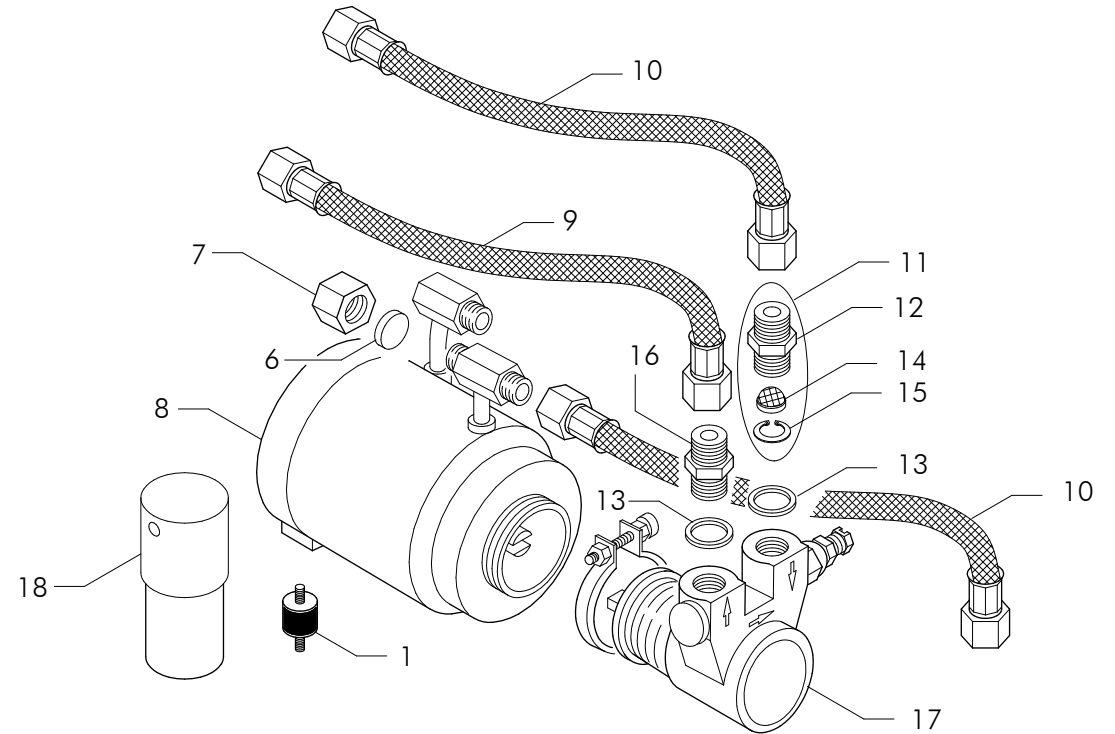
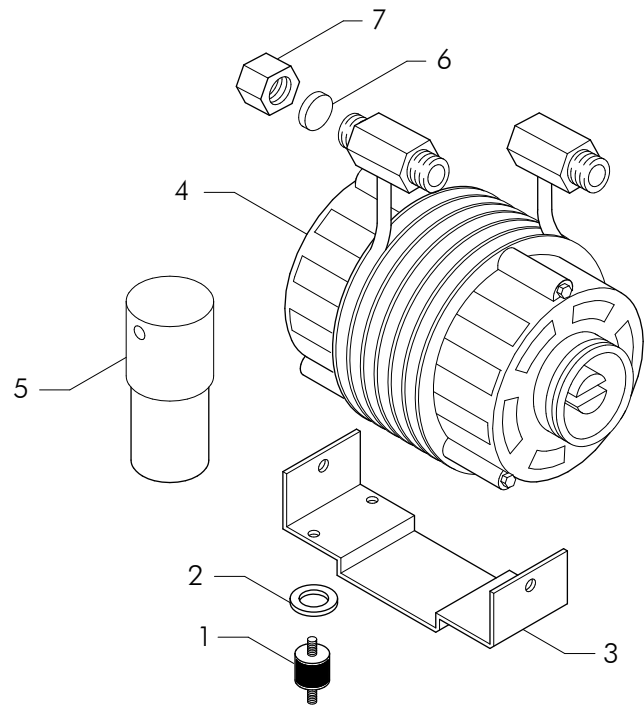
**MOT-04**

Motopompa - Motor pump  
Motopompe - Motor pump

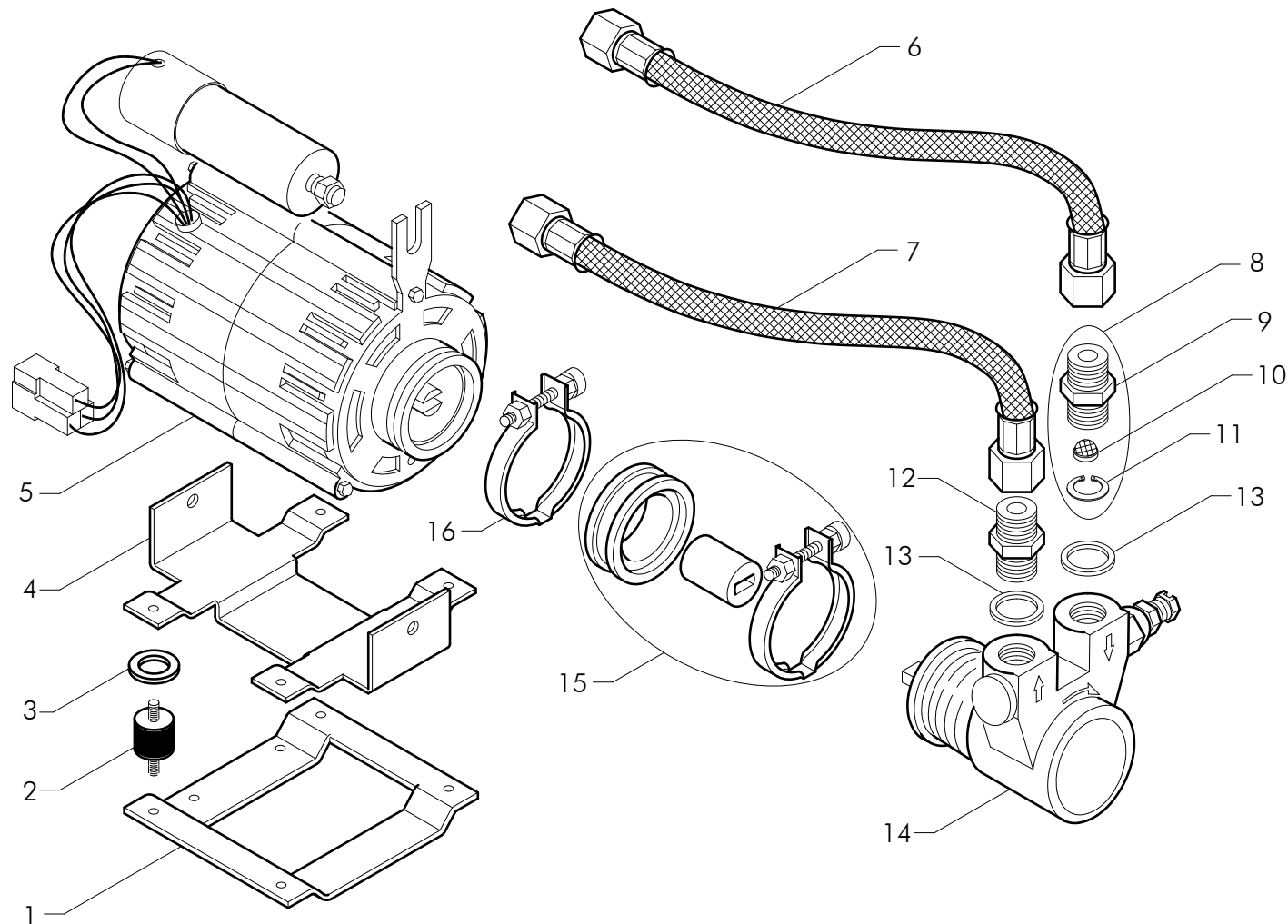
**ESTERNA - EXTERNAL  
EXTERNE - EXTERN**

**02**  
14/2009

*Motopompa  
Motor pump  
Motopompe  
Motor pump*

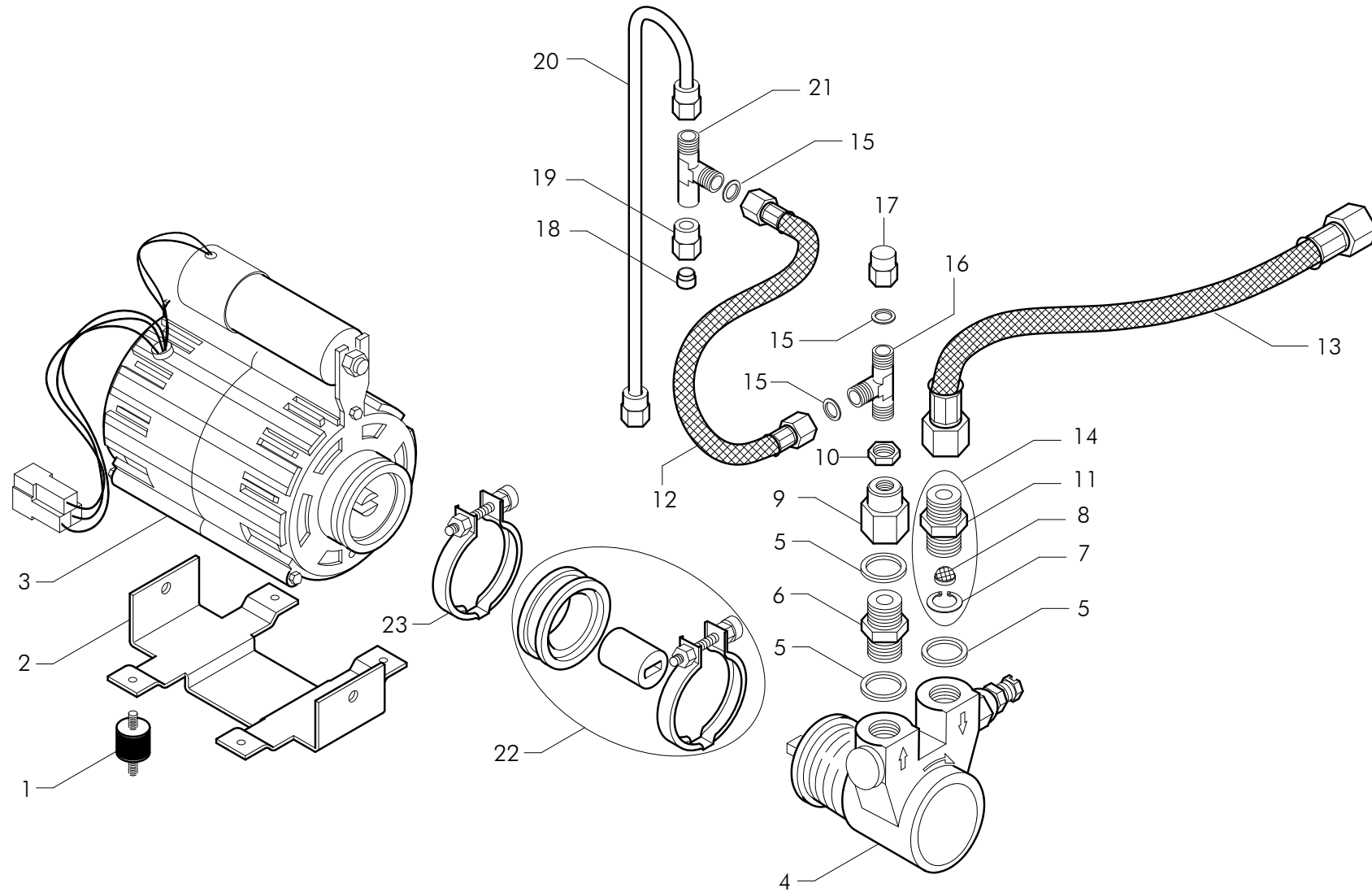


Pos	Cod.	Denominazione - IT -	Denomination - GB -	Denomination - FR -	Denomination - DE -
1	15105	GOMMA AMMORTIZZATORE X MOTORE RAF.H2O	RUBBER FOR WATER COOLED MOTOR ZEC.	CAOUTCHOUC POUR MOTEUR REFROID.EAU ZEC.	GUMMI X WASSERGEKÜHLTER MOTOR ZEC.
2	23265	RONDELLA 4X12	WASHER 4X12	RONDELLE 4X12	SCHIEBE 4X12
3	78174	SUPPORTO MOTORE INCORPORATO R.P.M.	MOTOR BEAR. RPM	SUPPORT MOT. RPM	EINGEBAUTER MOTORHALTER RPM
4	56406	MOTORE RPM NI 230V 50/60 R.H2O ASSIEME	MOTOR RPM 230V 50/60HZ H2O	MOTEUR RPM 230V 50/60HZ H2O	MOTOR RPM 230V 50/60HZ H2O
4	56407	MOTORE RPM NI 120V 60HZ R.H2O ASSIEME	MOTOR RPM 120V 60HZ H2O	MOTEUR RPM 120V 60HZ H2O	MOTOR RPM 120V 60HZ H2O
5	19062001	CONDENSATORE MOTORE 230V 7UF	MOTOR CAPACITOR 230V 7UF	CONDENSATEUR MOTEUR 230V 7UF	KONDENSATOR MOTOR 230V 7UF
5	19066001	CONDENSATORE UL 25MF	CAPACITOR UL 25MF	CONDENSATEUR UL 25MF	KONDENSATOR UL 25MF
6	12007	GUARNIZIONE KLINGERSIL4400	KLINGERSIL4400 SEAL	JOINT KLINGERSIL4400 POUR BOUCHON	DICHTUNG KLINGER SIL4400 X DECKEL
7	25782	TAPPO FEMMINA 1/4 GAS	1/4 GAS FEMALE TAP	BOUCHON FEMELLE 1/4 GAZ	INNENANSCHLUSSSTÖPSEL 1/4 GAS
8	56401	MOT.ZEC NI 120V 60HZ R.H2O ASSIEME	MOTOR ZEC 120V 60HZ H2O	MOTEUR ZEC 120V 60HZ H2O	MOTOR ZEC 120V 60HZ H2O
8	56402	MOT.ZEC NI 230V 50/60HZ R.H2O ASSIEME	MOTOR ZEC 230V 50/60HZ H2O	MOTEUR ZEC 230V 50/60HZ H2O	MOTOR ZEC 230V 50/60HZ H2O
9	30403	TUBOFLEX 3/8FF P.GOMMA CON. L33 NI	3/8 FEMALE L33 FLEX PIPE CONICAL HOSE F	TUYAU FLEX 3/8 FF L33 PORTE-TUYAU	SCHLAUCH 3/8 AUFNAHMETÜR L33 GUMMI KONI
10	30404	TUBOFLEX 3/8FF P.GOMMA CON. L45 NI	3/8 FEMALE L45 FLEX PIPE CONICAL HOSE F	TUYAU FLEX 3/8 FF L45 PORTE-TUYAU	SCHLAUCH 3/8 AUFNAHMETÜR L45 GUMMI KONI
11	56116	RACCORDO 3/8+3/8 MOTOPOMPA ASSIEME	CONNECTOR 3/8+3/8 PUMP ASSEMBLY	RACCORD 3/8 + 3/8 ENS. MOTOPOMPE	ANSCHLUSS 3/8 + 3/8 MOTORP. ZUSAMMEN
12	25732	RACCORDO 3/8X3/8 + SEDE FILTRO	3/8X3/8 FITTING + FILTER HOUSING	RACCORD 3/8X3/8 + LOG. FILTRE	ANSCHLUSS 3/8X3/8 + FILTERSITZ
13	12154	GUARNIZIONE CU 3/8 22X17X1.5	3/8 22X17X1.5 COPPER SEAL	JOINT CUIVRE 3/8 22X17X1.5	KUPFERDICHTUNG 3/8 22X17X1.5
14	10254	FILTRO ACCIAIO 160-200 MESH	STEEL FILTER 160-200 MESH	FILTRE EN ACIER 160-200 MESH	STAHLFILTER 160-200 MESH
15	10005	ANELLO DI ARRESTO INOX DIN472 D11	DIN472 D11 STAINLESS STEEL STOP RING	ANNEAU DE BUTEE INOX DIN472 D11	DRAHTSPRENGRING ROSTFREI DIN472 D11
16	25687	RACCORDO 3/8X3/8 GAS	3/8X3/8 GAS FITTING	RACCORD 3/8X3/8 GAZ	ANSCHLUSS 3/8X3/8 GAS
17	26302	POMPA PROCON CO 51509BLF PASSO 3/8GAS	CO 51509 PROCON PUMP, 3/8NPT PITCH	POMPE PROCON CO 51509 PAS 3/8NPT	PUMPE PROCON CO 51509 SCHRITT 3/8N
17	26303	POMPA FLUID-O-TECH PO 204 BY PASS ETL	PO 204 BY PASS PUMP ETL	POMPE PO 204 BY PASS ETL	PUMPE PO 204 BY PASS ETL
17	26303001	POMPA FLUID-O-TECH PO 104 NFS 3/8G	PUMP FLUID-O-TECH PO 104 NSF 3/8G	POMPE FLUID-O-TECH PO104 NFS 3/8G	PUMPE FLUID-O-TECH PO 104 NFS 3/8G
18	19050	CONDENSATORE MOTORE 220V 10MF	MOTOR CAPACITOR 220V 10MF	CONDENSATEUR MOTEUR 220V 10MF	MOTORKONDENSATOR 220V 10MF
18	19051	CONDENSATORE MOTORE 110V 20MF	MOTOR CAPACITOR 110V 20MF	CONDENSATEUR MOTEUR 110V 20MF	MOTORKONDENSATOR 110V 20MF

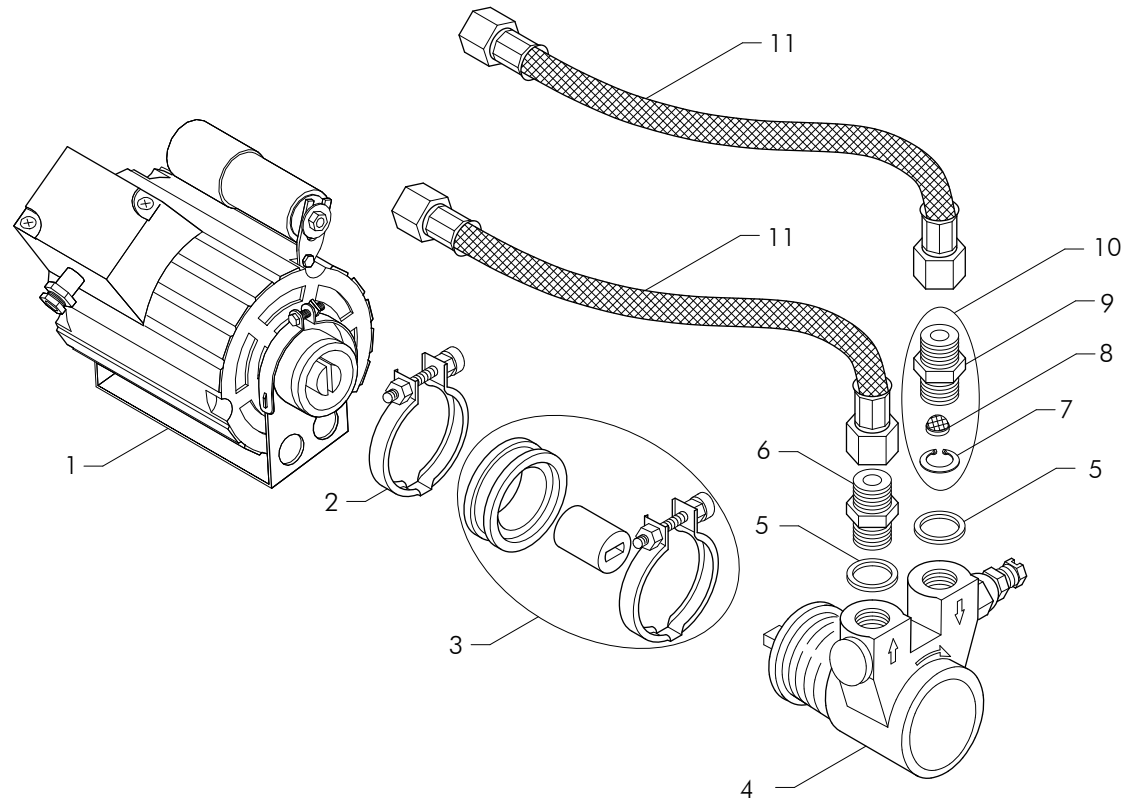


Pos	Cod.	Denominazione - IT -	Denomination - GB -	Denomination - FR -	Denomination - DE -
1	78174002	SUPPORTO MOTORE	MOTOR PUMP BEAR.	SUPPORT MOT.POMPE	MOTOR PUMPE HEALTER
2	15105	GOMMA AMMORTIZZATORE X MOTORE RAF.H2O ZEC	RUBBER FOR WATER COOLED MOTOR ZEC.	CAOUTCHOUC POUR MOTEUR REFROID.EAU ZEC.	GUMMI X WASSERGEKÜHLTER MOTOR ZEC.
3	23265	RONDELLA GREMB. INOX 4X12 UNI 6593	STAINLESS WASHER 4X12 UNI 6593	RONDELLE INOX 4X12 UNI 6593	STAHLSCHEIBE 4X12 UNI 6593
4	78174001	SUPPORTO MOTORE INC. RPM	MOTOR SUPPORT	SUPPORT MOTEUR	EINGEBAUTER MOTORHALTER
5	18303	MOTORE R.P.M. 230V 120W	MOTOR R.P.M. 230V 120W	MOTEUR R.P.M. 230V 120W	MOTOR R.P.M. 230V 120W
5	18304	MOTORE R.P.M. 110V 120W	MOTOR R.P.M. 110V 120W	MOTEUR R.P.M. 110V 120W	MOTOR R.P.M. 110V 120W
6	30403	TUBOFLEX 3/8FF P.GOMMA CON. L33 NI	3/8 FEMALE L33 FLEX PIPE CONICAL HOSE F	TUYAU FLEX 3/8 FF L33 PORTE-TUYAU	SCHLAUCH 3/8 AUFNAHMETÜR L33 GUMMI KONI
7	30404	TUBOFLEX 3/8FF P.GOMMA CON. L45 NI	3/8 FEMALE L45 FLEX PIPE CONICAL HOSE F	TUYAU FLEX 3/8 FF L45 PORTE-TUYAU	SCHLAUCH 3/8 AUFNAHMETÜR L45 GUMMI KONI
8	56116	RACCORDO 3/8+3/8 MOTOPOMPA ASSIEME	CONNECTOR 3/8+3/8 PUMP ASSEMBLY	RACCORD 3/8 + 3/8 ENS. MOTOPOMPE	ANSCHLUSS 3/8 + 3/8 MOTORP. ZUSAMMEN
9	25732	RACCORDO 3/8X3/8 + SEDE FILTRO	3/8X3/8 FITTING + FILTER HOUSING	RACCORD 3/8X3/8 + LOG. FILTRE	ANSCHLUSS 3/8X3/8 + FILTERSITZ
10	10254	FILTRO ACCIAIO 160-200 MESH	STEEL FILTER 160-200 MESH	FILTRE EN ACIER 160-200 MESH	STAHLFILTER 160-200 MESH
11	10005	ANELLO DI ARRESTO INOX DIN472 D11	DIN472 D11 STAINLESS STEEL STOP RING	ANNEAU DE BUTEE INOX DIN472 D11	DRAHTSPRENGRING ROSTFREI DIN472 D11
12	25687	RACCORDO 3/8X3/8 GAS	3/8X3/8 GAS FITTING	RACCORD 3/8X3/8 GAZ	ANSCHLUSS 3/8X3/8 GAS
13	12154	GUARNIZIONE CU 3/8 22X17X1.5	3/8 22X17X1.5 COPPER SEAL	JOINT CUIVRE 3/8 22X17X1.5	KUPFERDICHTUNG 3/8 22X17X1.5
14	26303001	POMPA FLUID-0-TECH PO 104 NFS 3/8G	PUMP FLUID-0-TECH PO 104 NSF 3/8G	POMPE FLUID-0-TECH PO104 NFS 3/8G	PUMPE FLUID-0-TECH PO 104 NFS 3/8G
15	83260016R	KIT DISACCOPPIAMENTO MOTORE POMPA	KIT COUPLING MOTOR-PUMP	ENSEMBLE DECOUPLAGE MOTEUR POMPE	KIT MOTOR-PUMPE KUPPLUNG
16	26310003	FASCETTA GIUNZIONE MOTORE-POMPA	CLAMP MOTOR-PUMP	BANDE MOTEUR-POMPE	SHELLE MOTOR-PUMPE





Pos	Cod.	Denominazione - IT -	Denomination - GB -	Denomination - FR -	Denomination - DE -
1	15105	GOMMA AMMORTIZZATORE X MOTORE RAF.H2O ZEC	RUBBER FOR WATER COOLED MOTOR ZEC.	CAOUTCHOUC POUR MOTEUR REFROID.EAU ZEC.	GUMMI X WASSERGEKÜHLTER MOTOR ZEC.
2	78174001	SUPPORTO MOTORE INC. RPM	MOTOR SUPPORT	SUPPORT MOTEUR	EINGEBAUTER MOTORHALTER
3	18303	MOTORE R.P.M. 230V 120W	MOTOR R.P.M. 230V 120W	MOTEUR R.P.M. 230V 120W	MOTOR R.P.M. 230V 120W
3	18304	MOTORE R.P.M. 110V 120W	MOTOR R.P.M. 110V 120W	MOTEUR R.P.M. 110V 120W	MOTOR R.P.M. 110V 120W
4	26303002	POMPA FLUID-0-TECH 50LT/H P0054	FLUID-0-TECH PUMP	POMPE FLUID-0-TECH 50 LT/H P005	PUMPE FLUID-0-TECH
5	12154	GUARNIZIONE CU 3/8 22X17X1.5	3/8 22X17X1.5 COPPER SEAL	JOINT CUIVRE 3/8 22X17X1.5	KUPFERDICHTUNG 3/8 22X17X1.5
6	25687	RACCORDO 3/8X3/8 GAS	3/8X3/8 GAS FITTING	RACCORD 3/8X3/8 GAZ	ANSCHLUSS 3/8X3/8 GAS
7	10005	ANELLO DI ARRESTO INOX DIN472 D11	DIN472 D11 STAINLESS STEEL STOP RING	ANNEAU DE BUTEE INOX DIN472 D11	DRAHTSPRENGRING ROSTFREI DIN472 D11
8	10254	FILTRO ACCIAIO 160-200 MESH	STEEL FILTER 160-200 MESH	FILTRE EN ACIER 160-200 MESH	STAHLFILTER 160-200 MESH
9	25744	RIDUZIONE 1/8FX3/8F V.N.R.	REDUCTION 1/8FX3/8F	REDUCTION 1/8FX3/8F	REDUKTION 1/8FX3/8F
10	25395	DADO 1/8 MANOMETRO	1/8 NUT GAUGE	ECROU 1/8 MANOMETRE	MUTTER 1/8 MANOMETER
11	25732	RACCORDO 3/8X3/8 + SEDE FILTRO	3/8X3/8 FITTING + FILTER HOUSING	RACCORD 3/8X3/8 + LOG. FILTRE	ANSCHLUSS 3/8X3/8 + FILTERSITZ
12	30405	TUBOFLEX 1/8FF P.GOMMA PIA. L19 NI	TUBOFLEX 1/8FF RUBBER-HOLDER L19	TUBOFLEX 1/8FF PORTE-TUYAU L19	TUBOFLEX 1/8FF GUMMI-HALTER L19
13	30408	TUBOFLEX 3/8FF P.GOMMA CON. L150 NI	3/8 FEMALE L150 FLEX PIPE CONICAL HOSE F	TUYAU FLEX 3/8 FF L150 PORTE-TUYAU	SCHLAUCH 3/8 AUFNAHMETÜR L150 GUMMI KONI
14	56116	RACCORDO 3/8+3/8 MOTOPOMPA ASSIEME	CONNECTOR 3/8+3/8 PUMP ASSEMBLY	RACCORD 3/8 + 3/8 ENS. MOTOPOMPE	ANSCHLUSS 3/8 + 3/8 MOTORP. ZUSAMMEN
15	12012	GUARNIZIONE TEFLON 8.5X4X2	GASKET TEFLON 8.5X4X2	JOINT TEFLON 8.5X4X2	DICHTUNG TEFLON 8.5X4X2
16	23211	RACCORDO OTT."T" 1/8X1/8X1/8 30006	BRASS CONNECTOR 'T' 1/8X1/8X1/8	RACCORD LAITON "T" 1/8X1/8X1/8	MESSING FITTING "T" 1/8X1/8X1/8
17	25790	TAPPO 1/8 GAS FEMMINA	FEMALE CAP 1/8 GAS	BOUCHON FEMELLE 1/8 GAS	STOPFEN 1/8 GAS
18	25800	TERMINALE D6	TERMINAL D6	BORNE D6	ENDVERSCHLUSS D6
19	25701	RACC.MANOMETRO 1/8 FORO 6	MANOMETER CONNECTOR 1/8 HOLE 6	RACCORD MANOMETRE 1/8 TROU 6	MANOMETERFITTING 1/8 LOCH 6
20	52002053	TUB.D-6 L.200 CO 43 RACC."T" ORIENT> EV AEA	TUBE D-6 L.200	TUYAU D-6 L.200	ROHR D-6 L.200
21	23195	RACCORDO OTT."T" ORIENT. S03600-A-6-6	BRASS FITTING 'T' S03600-A-6-6	RACCORD LAITON 'T' S03600-A-6-6	MESSING FITTING 'T' S03600-A-6-6
22	83260016R	KIT DISACCOPIAMENTO MOTORE POMPA	KIT COUPLING MOTOR-PUMP	ENSEMBLE DECOUPLAGE MOTEUR POMPE	KIT MOTOR-PUMPE KUPPLUNG
23	26310003	FASCETTA GIUNZIONE MOTORE-POMPA	CLAMP MOTOR-PUMP	BANDE MOTEUR-POMPE	SHELLE MOTOR-PUMPE





Pos	Cod.	Denominazione - IT -	Denomination - GB -	Denomination - FR -	Denomination - DE -
1	18300	MOTORE R.P.M. 230/50-60 110027.06	MOTOR R.P.M. 230/50-60 110027.06	MOTEUR TOURS/MIN 230/50-60 110027.0	MOTOR R.P.M. 230/50-60 110027.06
1	18302	MOTORE RPM 230/50-60 SCAT.110027.76	MOTOR RPM 230/V 50-60HZ	--	MOTOR RPM 230/50
1	18306	MOTORE R.P.M. 110/115V-50/60 HZ	MOTOR R.P.M. 110/115V-50/60 HZ	MOTEUR TOURS/MIN 110/115V-50/60 HZ	MOTOR R.P.M. 110/115V-50/60 HZ
1	18308	MOTORE R.P.M. 240/50-60 110245.04	MOTOR R.P.M. 240/50-60 M0245.04	MOTEUR TOURS/MIN 240/50-60 M0245.04	MOTOR R.P.M. 240/50-60 M0245.04
2	26310003	FASCETTA GIUNZIONE MOTORE-POMPA	CLAMP MOTOR-PUMP	BANDE MOTEUR-POMPE	SHELLE MOTOR-PUMPE
3	83260016R	KIT DISACCOPIAMENTO MOTORE POMPA	KIT COUPLING MOTOR-PUMP	ENSEMBLE DECOUPLAGE MOTEUR POMPE	KIT MOTOR-PUMPE KUPPLUNG
4	26302	POMPA PROCON CO 51509BLF PASSO 3/8GAS	CO 51509 PROCON PUMP, 3/8NPT PITCH	POMPE PROCON CO 51509 PAS 3/8NPT	PUMPE PROCON CO 51509 SCHRITT 3/8N
4	26303	POMPA FLUID-O-TECH PO 204 BY PASS ETL	PO 204 BY PASS PUMP ETL	POMPE PO 204 BY PASS ETL	PUMPE PO 204 BY PASS ETL
4	26303001	POMPA FLUID-O-TECH PO 104 NFS 3/8G	PUMP FLUID-O-TECH PO 104 NSF 3/8G	POMPE FLUID-O-TECH PO104 NFS 3/8G	PUMPE FLUID-O-TECH PO 104 NFS 3/8G
5	12154	GUARNIZIONE CU 3/8 22X17X1.5	3/8 22X17X1.5 COPPER SEAL	JOINT CUIVRE 3/8 22X17X1.5	KUPFERDICHTUNG 3/8 22X17X1.5
6	25687	RACCORDO 3/8X3/8 GAS	3/8X3/8 GAS FITTING	RACCORD 3/8X3/8 GAZ	ANSCHLUSS 3/8X3/8 GAS
7	10005	ANELLO DI ARRESTO INOX DIN472 D11	DIN472 D11 STAINLESS STEEL STOP RING	ANNEAU DE BUTEE INOX DIN472 D11	DRAHTSPRENGRING ROSTFREI DIN472 D11
8	10254	FILTRO ACCIAIO 160-200 MESH	STEEL FILTER 160-200 MESH	FILTRE EN ACIER 160-200 MESH	STAHLFILTER 160-200 MESH
9	25732	RACCORDO 3/8X3/8 + SEDE FILTRO	3/8X3/8 FITTING + FILTER HOUSING	RACCORD 3/8X3/8 + LOG. FILTRE	ANSCHLUSS 3/8X3/8 + FILTERSITZ
10	56116	RACCORDO 3/8+3/8 MOTOPOMPA ASSIEME	CONNECTOR 3/8+3/8 PUMP ASSEMBLY	RACCORD 3/8 + 3/8 ENS. MOTOPOMPE	ANSCHLUSS 3/8 + 3/8 MOTORP. ZUSAMMEN
11	30403	TUBOFLEX 3/8FF P.GOMMA CON. L33 NI	3/8 FEMALE L33 FLEX PIPE CONICAL HOSE F	TUYAU FLEX 3/8 FF L33 PORTE-TUYAU	SCHLAUCH 3/8 AUFNAHMETÜR L33 GUMMI KONI
11	30404	TUBOFLEX 3/8FF P.GOMMA CON. L45 NI	3/8 FEMALE L45 FLEX PIPE CONICAL HOSE F	TUYAU FLEX 3/8 FF L45 PORTE-TUYAU	SCHLAUCH 3/8 AUFNAHMETÜR L45 GUMMI KONI
11	30407	TUBOFLEX 3/8FF P.GOMMA CON. L100 NI	3/8 FEMALE L100 FLEX PIPE CONICAL HOSE	TUYAU FLEX 3/8 FF L100 PORTE-TUYAU	SCHLAUCH 3/8 AUFNAHMETÜR L100 GUMMI KONI
11	30408	TUBOFLEX 3/8FF P.GOMMA CON. L150 NI	3/8 FEMALE L150 FLEX PIPE CONICAL HOSE	TUYAU FLEX 3/8 FF L150 PORTE-TUYAU	SCHLAUCH 3/8 AUFNAHMETÜR L150 GUMMI KONI

# INDICE - INDEX - SOMMAIRE - VERZEICHNIS

# ACC

**ACC-01**

TERMORISERVA - BULK UNIT - THERMO RESERVE - BRUHGRUPPE

rev.

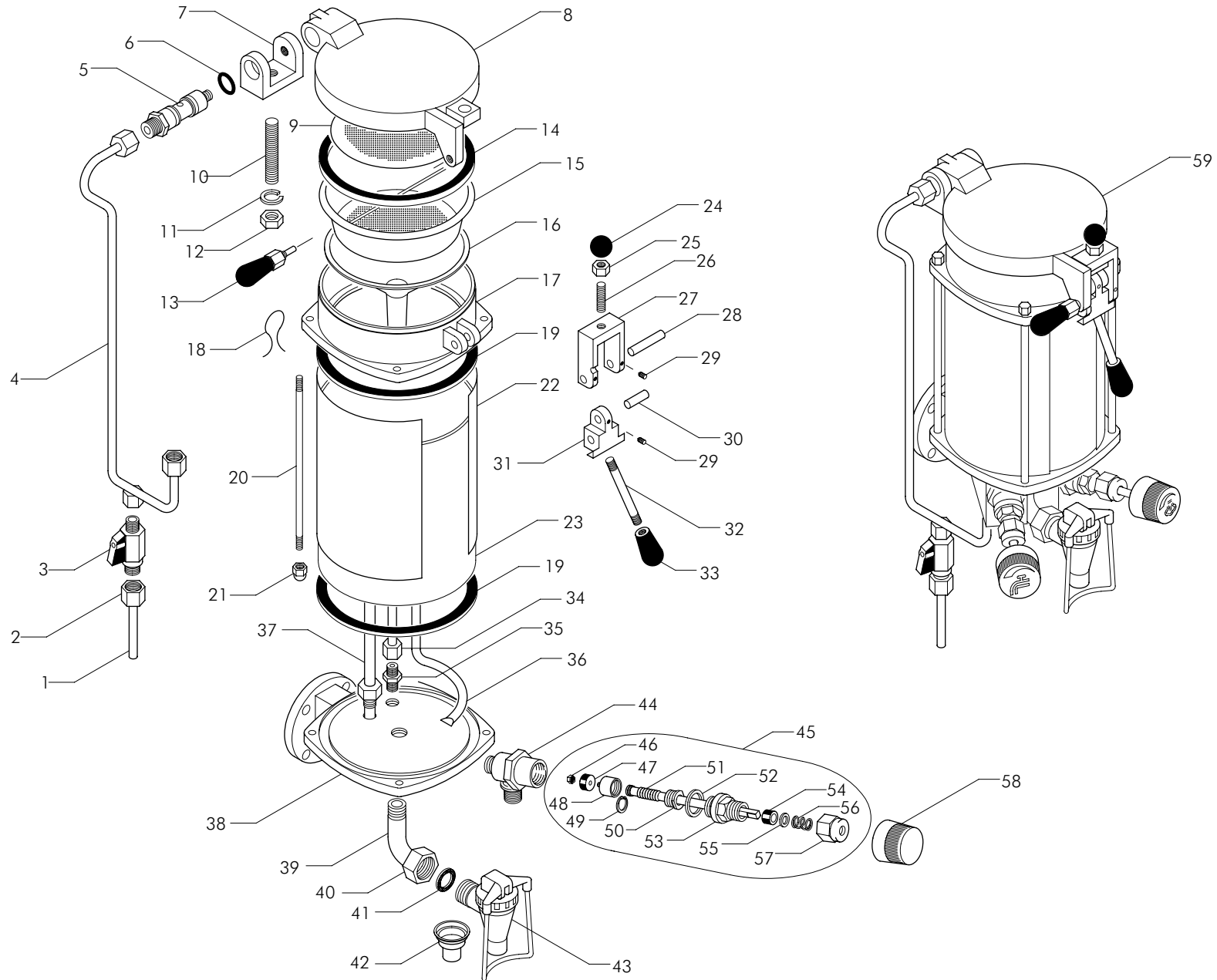
**00**  
05/2007

TERMORISERVA

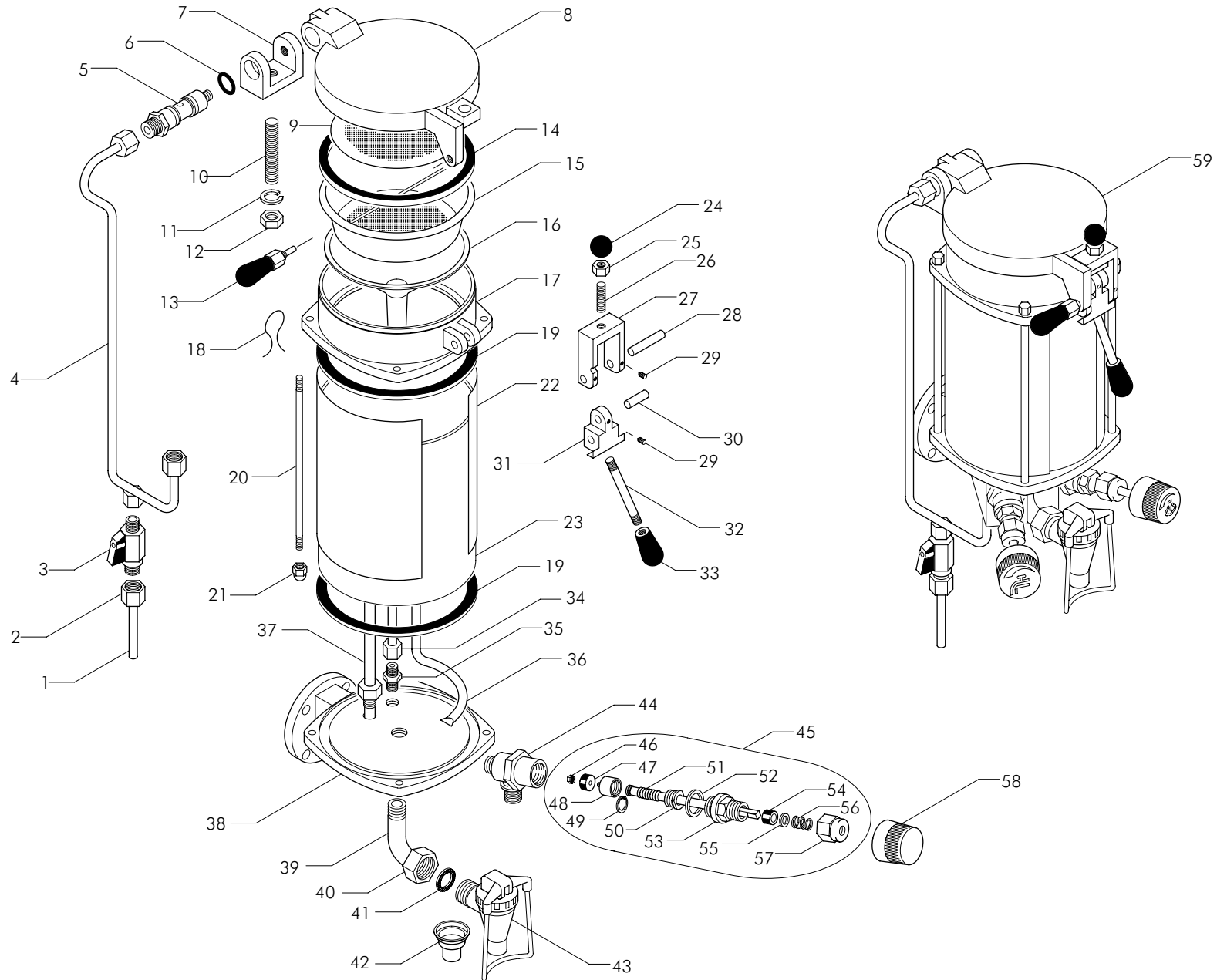
BULK UNIT

THERMO RESERVE

BRUHGRUPPE



Pos	Cod.	Denominazione - IT -	Denomination - GB -	Denomination - FR -	Denomination - DE -
1	52001906	TUB.D-8 L.40 2-3GR UKNT 21	TUBE D-8 L.40 2-3GR	TUYAU D-8 L.40 2-3GR	ROHR D-8 L.40 2-3GR
2	25382	DADO 1/4 FORO 9.5 OTTONE	NUT 1/4 HOLE 9.5	ECROU 1/4 TROU 9.5	SCHRAUBENMUTTER 1/4 LOCH 9.5
3	20354	VALVOLA CHIUSURA AEA	PRESSURE RELEASE TAP BULK UNIT	CLAPET FERMETURE AUT.ARRIVEE EAU	ABSPERRVENTIL X AUT.WASSERZUFUHR
4	52001896	TUB.D-8 L.510 2-3GR UKNT 1	TUBE D-8 L.510 2-3GR	TUYAU D-8 L.510 2-3GR	ROHR D-8 L.510 2-3GR
5	25605	PERNO COPERCHIO T.RISERVA CROMATO	BULK UNIT LID HINGE	PIVOT COUVERCLE THERMO RESERVE	ZAPFEN BRUHGRUPPEDECKEL - CHROM
6	12303	GUARNIZIONE OR 119 HNBR TAPPO	CAP O RING GASKET 119	JOINT OR 119 POUR BOUCHON	OR DICHTUNG FUR STOPFEN 119
7	53210	FORCELLA FULCRO COPER. TR CROMATO	FORK FOR BULK UNIT CAP	FOURCHETTE COUVERCLE THERMO RESERVE	GABEL FUR BRUHGRUPPEDECKEL - CHROM
8	53220	COPERCHIO TERMORISERVA CROMATO	BULK UNIT CAP	COUVERCLE THERMO RESERVE	BRUHGRUPPEDECKEL
9	28105	DOCCIA PER TERMORISERVA	BULK UNIT SHOWER PLATE	DOUCHETTE THERMO RESERVE	VERTEILERSIEB X BRUHGRUPPE
10	25320	BARRA FIL.L72 M12 AISI 304 LUCIDATO	BULK UNIT CUTTING PIN L=72 M12 AISI	TIGE L=72 M12 THERMO RES. M12 AISI	STANGE L=72 M12 BRUHGRUPPE M12 AISI
11	23275	RONDELLA INOX GROVER 12	GROVER WASHER 12	RONDELLE INOX GROVER 12	STAHLSCHEIBE GROVER 12
12	23056	DADO M12 BASSO OTTONE CROMATO	LOW NUT M12 CHROMED BRASS	ECROU INFERIEUR M12 LAITON CHROME	UNTERE MUTTER M12 - MESSING CHROM
13	20120	POMELLO SICUREZZA PORTAFILTRO TR	FILTER HOLTER SECURITY KNOB B.U.	POMMEAU SURETE PORTE FILTRE T.R.	SICHERHEITSGRIFF FILTERHALTER B.G.
14	12210	GUARNIZIONE GOMMA TERMORISERVA	BULK UNIT LID SEAL 148X133X7	JOINT THERMO RESERVE 148X133X7	BRUHGRUPPEDICHTUNG 148X133X7
15	28124	FILTRO PER GRUPPO TR TIPO GAGGIA	BULK UNIT FILTER	FILTRE GROUPE THERMO RESERVE	BRUHGRUPPEFILTER
16	28160	IMBUTO GR ROSSI TERMORISERVA R 2736	BULK UNIT FUNNEL R 2736	ENTONNOIR GR. THERMO RESERVE R 2736	TRICHTER FUR BRUHGRUPPE R 2736
17	53230	ANELLO SUP.PORTAFILTRO TR CROMATO	FILTER HOLDER TOP RING FOR B.U.	BAGUE PORTE-FILTRE THERMO RESERVE	FILTERGRIFFRING FUR BRUHGRUPPE
18	28232	MOLLA IMBUTO TERMORISERVA R 2130	SPRING FUNNEL BULK UNIT R 2130	RESSORT ENTONNOIR T.RESERVE R 2130	TRICHTERFEDER BRUHGRUPPE R 2130
19	12209	GUARNIZIONE GOMMA TERMORISERVA	BULK UNIT GLASS SEAL 134X154X3	JOINT THERMO RESERVE 134X154X3	BRUHGRUPPEDICHTUNG 134X154X3
20	25304	ASTA D6 AISI L205 TERMORISERVA	BULK UNIT GLASS TIE ROD D=6 L=205	TIGE THERMO RESERVE D=6 L=205	STANGE D6 AISI L205 BRUHGRUPPE
21	23057	DADO CIECO INOX M6 UNI 5721	STEEL BLIND NUT M6 UNI 5721	ECROU INOX AVEUGLE M6 UNI 5721	STAHLHUTMUTTER M6 UNI 5721
22	77691R	PROTEZIONE INOX VETRO TERMORISERVA	BULK UIT STEEL ARMOUR GLASS	PROTECTEUR INOX VERRE THERMO RESERVE	STAHL SCHULTZ GLAS BRUHGRUPPE
23	20500	VETRO TERMORISERVA D150/D140/H180	BULK UNIT GLASS D150/D140/H180	VERRE THERMORESERVE D150/D140/H180	BRUHGRUPPEGLAS D150/D140/H180
24	15405	POMELLO TERMORISERVA PL25 M10	KNOB M10 FOR BULK UNIT PL25	POMMEAU M10 T.R. PL25	KUGELGRIFF M10 BRUHGRUPPE PL25
25	23052	DADO OTTONE M10 UNI 5587 #	TOP BRASS NUT M10 UNI 5587	ECROU LAITON SUPERIEUR M10 UNI 5587	UNTER/MESSING MUTTER M10 UNI 5587
26	10402	GRANO CE 10X35 INOX UNI 5923	STEEL GRUB SCREW 10X35 UNI 5923	GRAIN CE 10X35 INOX UNI 5923	STAHLGEWINDESTIFT 10X35 UNI 5923
27	53250	FORCELLA BLOCCA COPER. TR CROMATO	FORK FOR BULK UNIT CAP	FOURCHETTE COUVERCLE THERMO RESERVE	GABEL FUR BRUHGRUPPEDECKEL
28	25604	PERNO D8 L41 AISI T.RISERVA	BULK UNIT PIN D8 L41	PIVOT D8 L41 THERMO RESERVE	ZAPFEN D8 L41 AISI BRUHGRUPPE
29	10404	GRANO 4X5 PUNTA CONICA BRU.UNI 5927	GRUB SCREW 4X5 CONIC POINT-BLUED FE	GRAIN 4X5 POINTE CONIQUE FE	GEWINDESTIFT 4X5 MIT KEGELSPITZE FE
30	25603	PERNO D8 L25 AISI T.RISERVA	BULK UNIT PIN D8 L25	PIVOT D8 L25 THERMO RESERVE	ZAPFEN D8 L25 AISI BRUHGRUPPE
31	53200	INNESTO LEVA COPERCHIO TR CROMATO	PIVOT FOR BULK UNIT CAP	PIVOT COUVERCLE THERMO RESERVE	EINRUCKEN FUR BRUHGRUPPEDECKEL
32	25303	ASTA D8 AISI L84 TERMORISERVA	BULK UNIT ROD D8 L84	TIGE THERMO RESERVE D8 L84	STANGE D8 AISI L84 BRUHGRUPPE
33	15400	POMELLO LEVETTA POMPA I.147/40-M8	MANUAL FILL LEVER KNOB I.147/40-M8	BOUTON LEVIER POMPE I.147/40-M8	KNAUF PUMPENHEBEL I.147/40-M8
34	25381	DADO 1/4 FORO 6.2	NUT 1/4 HOLE 6.2	ECROU 1/4 TROU 6.2	SCHRAUBENMUTTER 1/4 LOCH 6.2
35	25686	RACCORDO 1/4X1/4 FLANGIA	CONNECTOR 1/4 X 1/4 FLANGE	RACCORD 1/4 X 1/4 BRIDE	ANSCHLUSS 1/4X1/4 FLANSCH
36	52001873	TUB.D-6 L.450 2-3GR UKT 18	TUBE D-6 L.450 2-3GR	TUYAU D-6 L.450 2-3GR	ROHR D-6 L.450 2-3GR



Pos	Cod.	Denominazione - IT -	Denomination - GB -	Denomination - FR -	Denomination - DE -
37	52001872	TUB.D-10 L.245 2-3GR UKT 17	TUBE D-10 L.245 2-3GR	TUYAU D-10 L.245 2-3GR	ROHR D-10 L.245 2-3GR
38	53240	SUPPORTO TERMORISERVA CROMATO	BULK UNIT SUPPORT	SUPPORT THERMO RESERVE	BRUHGRUPPEHALTER
39	53260	RACCORDO USCITA TERMORISERVA CROMATO	WAY OUT CONNECTOR BULK UNIT	RACCORD SORTIE THERMO RESERVE	AUSGANGFITTING BRUHGRUPPE
40	25397	DADO 3/4 X RUBINETTO TR CROMATO	NUT 3/4 FOR BULK UNIT TAP	ECROU 3/4 ROBINET THERMO RESERVE	MUTTER 3/4 FUR BRUHGRUPPEHAHN
41	12006	GUARNIZIONE KLINGERSIL 1/4 GAS	1/4 GAS GASKET KLINGERSIL4400	JOINT DE 1/4 GAZ KLINGERSIL4400	1/4 GASDICHTUNG KLINGERSIL4400
42	12213	GUARNIZIONE GOMMA X RUBINETTO	RUBBER GASKET FOR BULK UNIT VALVE	JOINT DE ROBINET THERMO RESERVE	DICHTUNG FUR BRUHGRUPPEHAHN
43	20225	RUBINETTO TERMORISERVA	TAP FOR BULK UNIT	ROBINET POUR THERMO RESERVE	HAHN FUR BRUHGRUPPE
44	53060	CORPO RUBINETTO T.RISERVA CROMATO	BULK UNIT VALVE BODY	CORPS DE ROBINET THERMO RESERVE	HAHNKORPER BRUHGRUPPE - CROHM
45	56101	ASSIEME RUBINETTO TERMORISERVA CROMATO	TAP SET FOR BULK UNIT	ENSEMBLE ROBINET THERMO RESERVE	ROHRSATZ FUR BRUHGRUPPE
46	23050	DADO OTTONE M3 UNI 5587	BRASS NUT M3 UNI 5587	ECROU LAITON M3 UNI 5587	MESSING-MUTTER M3 UNI 5587
47	12203	GUARNIZIONE HNBR 15X4X4 DUREZZA 90SH	RUBBER GASKET 15X4X4	JOINT EN CAOUTCHOUC 15X4X4	GUMMIDICHTUNG 15X4X4
48	25616	PISTONCINO RUBINETTO	TAP JUMPER	PISTON ROBINET	HAHNKOLBEN
49	10001	ANELLO ARRESTO D6 INOX 316 DIN 6799	STEEL CIRCLIP 316 DIN 6799	CIRCLIP INOX 316 DIN 6799	STAHLHALTENRING 316 DIN 6799
50	25461	GHIERA RUBINETTO	TAP RING NUT	EMBOUT ROBINET	HAHNZWINGE
51	25310	ASTA RUBINETTO T.RISERVA CROMATA	CHROMED VALVE SPINDLE FOR BULK UNIT	TIGE ROBINET CRHOME THERMO RESERVE	CHROM HAHNSTANGE FUR BRUHGRUPPE
52	12158	GUARNIZIONE CU RUB.26X20.5X2	26X20.5X2 COPPER SEAL	JOINT CUIVRE 3/8 22X17X1.5	KUPFERDICHTUNG 3/8 22X17X1.5
53	25678001	RACCORDO RUBINETTO	TAP FITTING	RACCORD ROBINET	HAHNANSCHLUSSTUCK
54	12204	GUARNIZIONE GOMMA RUBINETTO H20/VAP	W/S TAP RUBBER GASKET 12.5X7.5X9	JOINT CAOUTCHOUC ROB. EAU/VAP	HAHNDICHTUNG W/D 12.5X7.5X9
55	25655	RONDELLA RUBINETTO	TAP WASHER	RONDELLE ROBINET	HAHNSCHEIBE
56	10452	MOLLA RUBINETTO H20/VAPORE N4	WATER/STEAM TAP SPRING N4	RESSORT DE ROBINET EAU-VAPEUR N4	WASSER/DAMPF HAHNFEDER N4
57	25385	DADO PREMISTOPPA RUBINETTO	TAP STUFFING NUT	ECROU DE PRESSE-ETOUPE ROBINET	STOPFBUCHSE MUTTER - HAHN
58	15250	MANOPOLA RUBINETTO H20	BULK UNIT WATER KNOB	POIGNEE ROBINET EAU	WASSERHAHN Griff
58	15251	MANOPOLA RUBINETTO VAPORE	BULK UNIT STEAM KNOB	POIGNEE ROBINET VAPEUR	DAMPFHAHN Griff
59	56067	GRUPPO TERMORISERVA	BULK UNIT	THERMO RESERVE	BRUHGRUPPE