

INDICE - INDEX - SOMMAIRE - VERZEICHNIS

CGL

rev.

CGL-01

Carrozzeria CELESTE - Body parts LIGHT BLUE
Carrosserie BLEU CIEL - Karosserie CELESTE

02
09/2007

CGL-02

Carrozzeria NERO/INOX - Body parts BLACK/S.STEEL
Carrosserie NOIR/INOX - Karosserie SCHWARZ/STAHL

02
09/2007

CGL-03

Carrozzeria GRIGIO G332 - Body parts GRAY G332
Carrosserie GRIS G332 - Karosserie GRAU G332

02
09/2007

CGL-04

Carrozzeria INOX - Body parts S.STEEL
Carrosserie INOX - Karosserie STAHL

02
09/2007

CGL-05

Carrozzeria ROSA CIPRIA - Body parts PINK
Carrosserie ROSE - Karosserie ROSA

01
09/2007

CGL-06

Carrozzeria NERO/OTTONATO - Body parts BLACK/BRASS COLOUR
Carrosserie NOIR/LAITON - Karosserie SCHWARZ/MESSING LACKIERT

01
09/2007

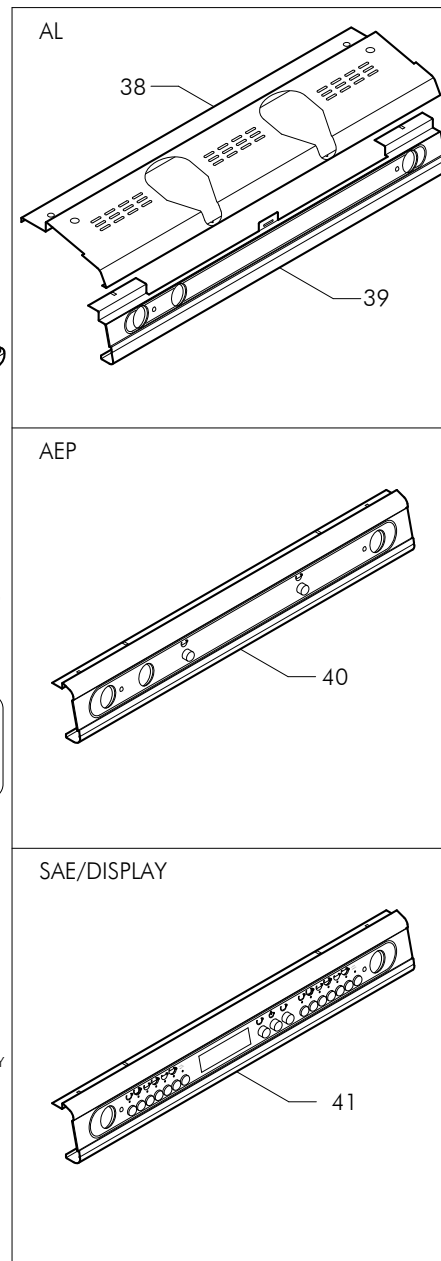
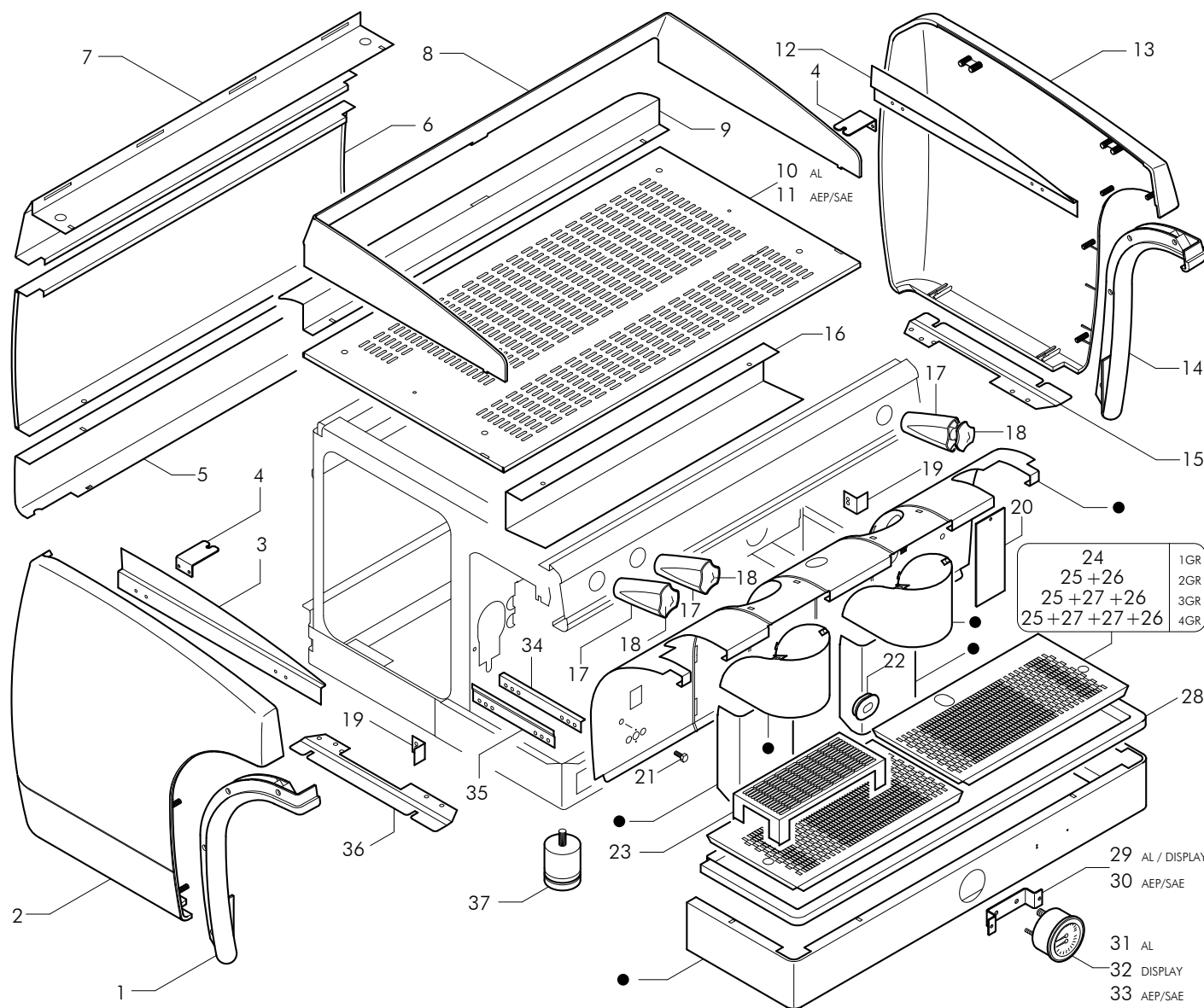
CGL-07

Varianti - Variations
Variations - Änderung

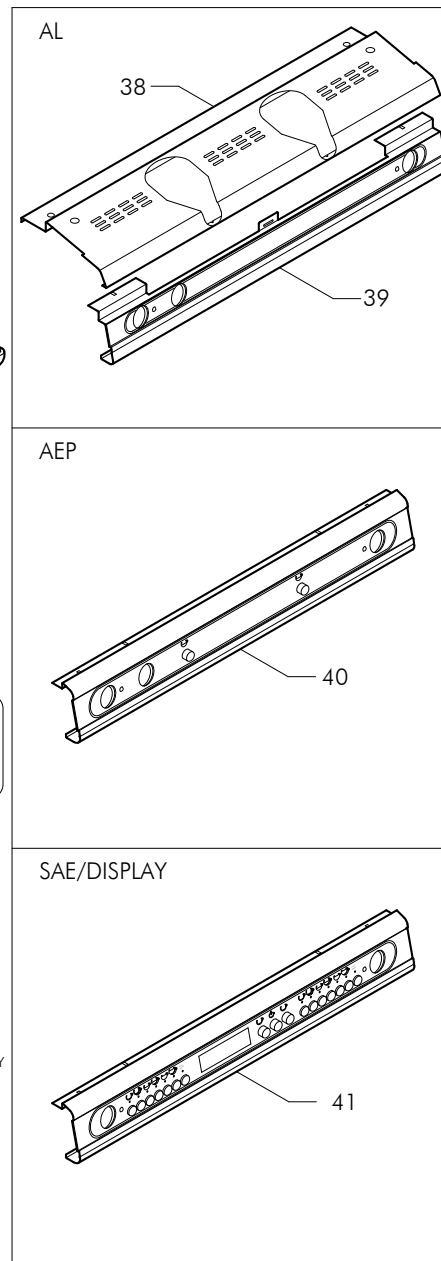
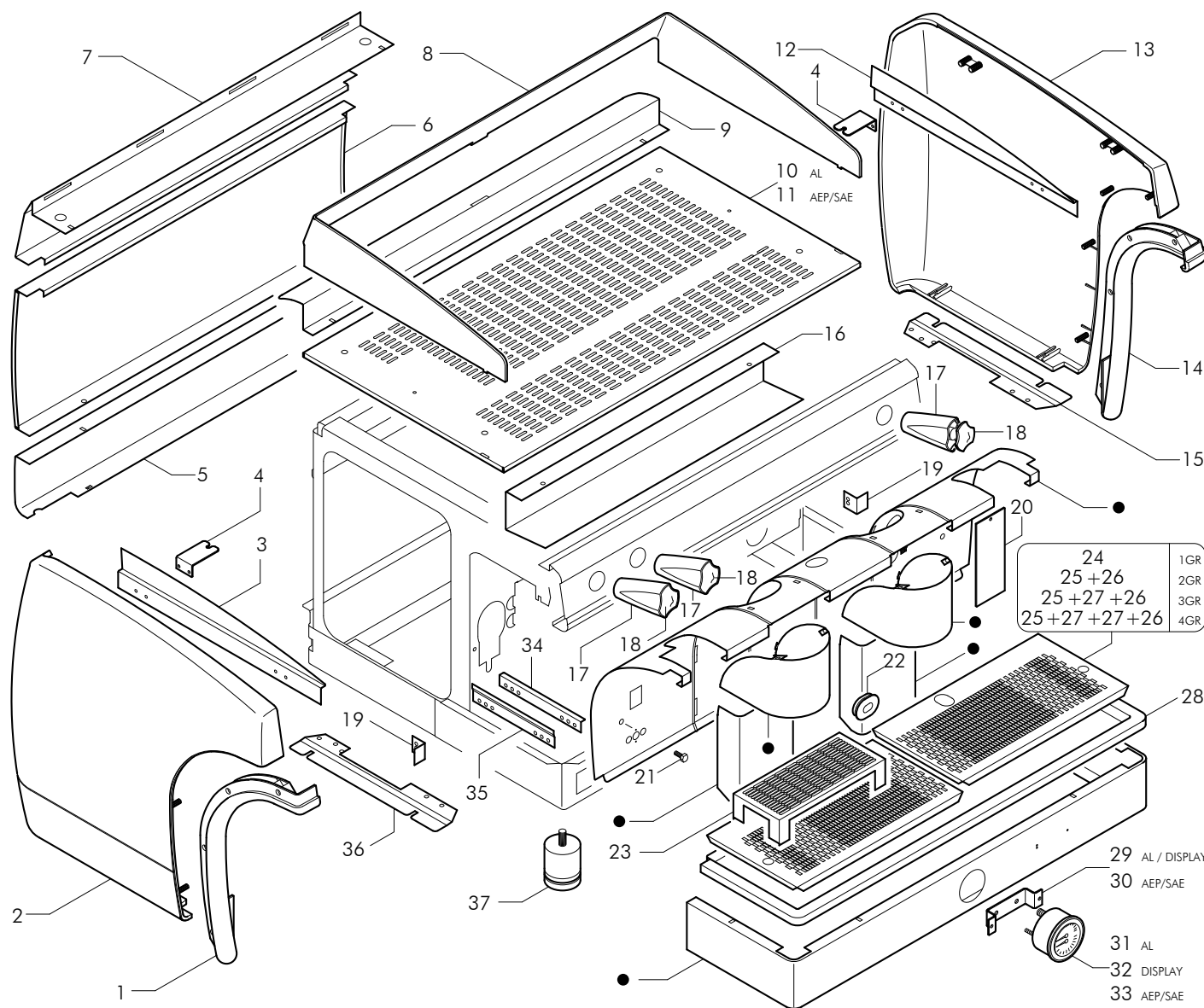
00
09/2007

Carrozzeria
Body parts
Carrosserie
Karosserie

GLORIA

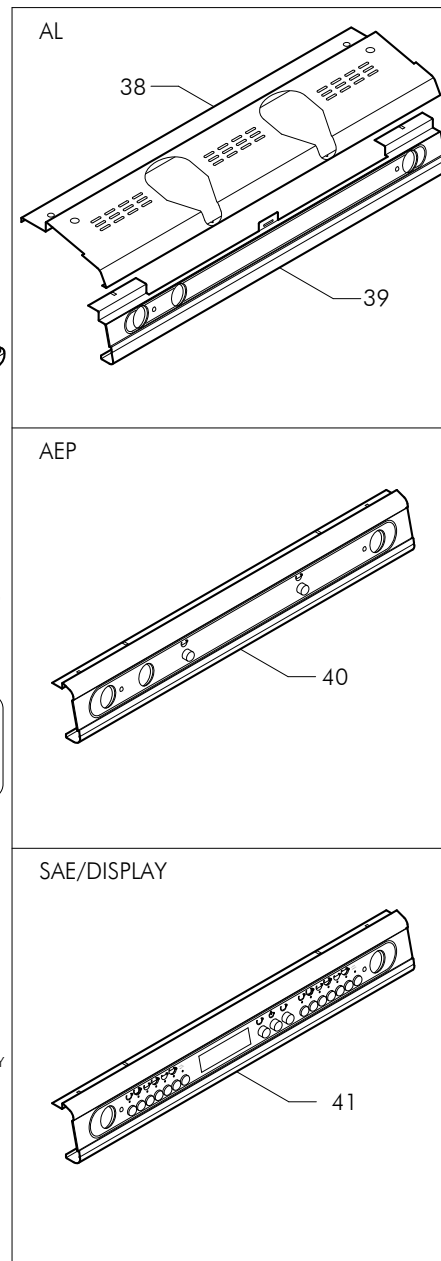
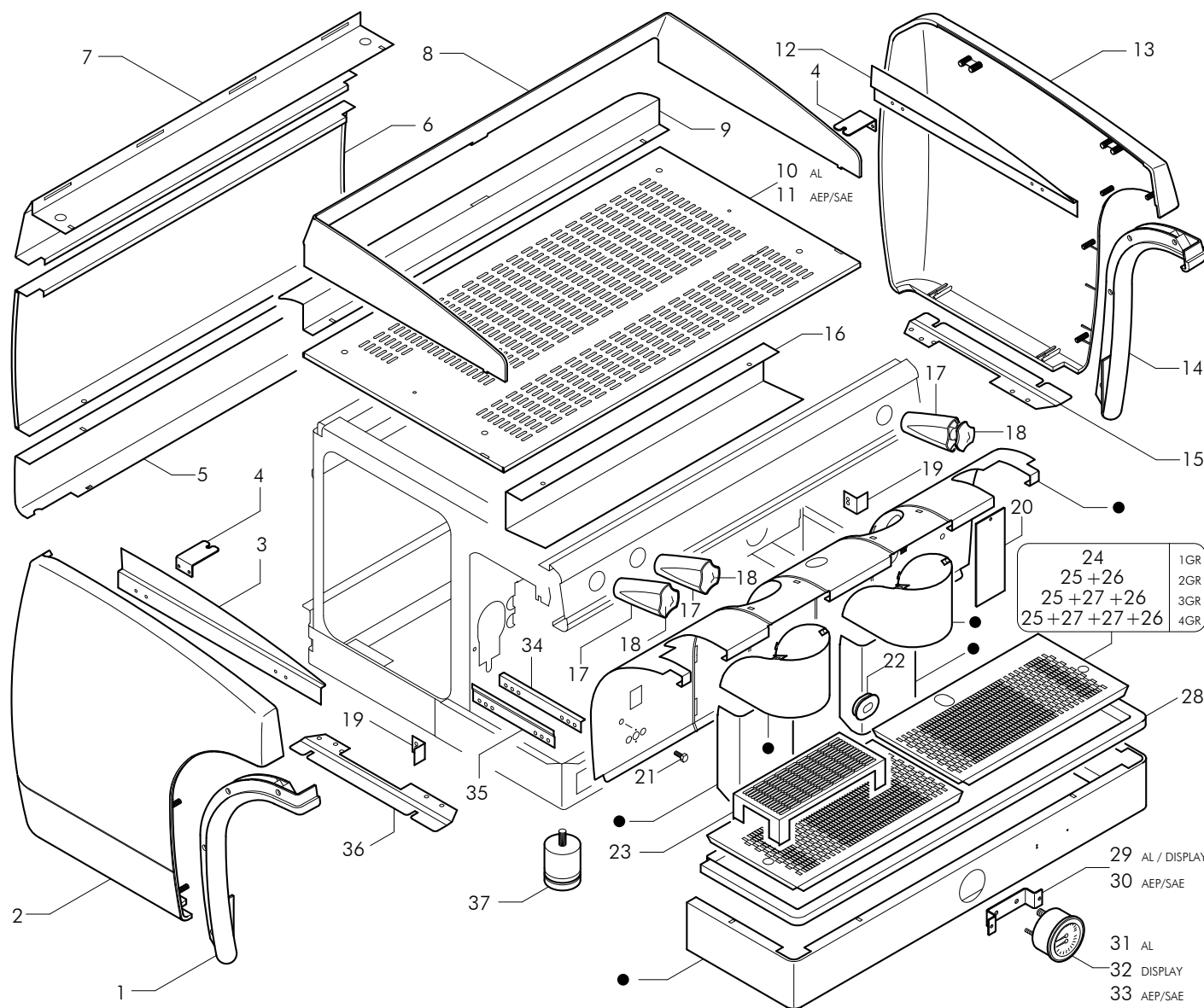


Pos	Cod.	Denominazione - IT -	Denomination - GB -	Denomination - FR -	Denomination - DE -
1	77498501	PROF.FIANCO SX GLORIA CROMO	LEFT SIDE STRIP CHROME	PROFILS POUR COTE GAUCHE CHROME	PROFIL FUR LINKE SEITE GLORIA CHROM
2	73130221	FIANCO SINISTRO GLORIA CELESTE+BRILL	LEFT SIDE PANEL BLUE	COTE GAUCHE BLEU	LINKE SEITE BLAU
3	77607052	PROF.INT.SINISTRO FIANCO	INTERNAL STRIP LEFT	PROFIL INT. GAUCHE	PROFIL INNEN LINKE
4	78167010	STAFFA SUP.DX-SX SUPPORTO FIANCO	RH-LH PANEL SUPPORT	SUPPORT DR-GA COTE	RECHTS/LINKS HALTER
5	75288004	PANN.INF.1GR GLORIA CELESTE+BRILL	LOWER PANEL 1GR BLUE	PANNEAU INF. 1GR BLEU	UNTERTAFEL 1GR BLAU
5	75288008	PANN.INF.2GR GLORIA CELESTE+BRILL	LOWER PANEL 2GR BLUE	PANNEAU INF. 2GR BLEU	UNTERETAFEL 2GR BLAU
5	75288012	PANN.INF.3GR GLORIA CELESTE+BRILL	LOWER PANEL 3GR BLUE	PANNEAU INF. 3GR BLEU	UNTERTAFEL 3GR BLAU
5	75288016	PANN.INF.4GR GLORIA CELESTE+BRILL	LOWER PANEL 4GR BLUE	PANNEAU INF. 4GR BLEU	UNTERTAFEL 4GR BLAU
6	75288005	PANN.CENT.1GR GLORIA CELESTE+BRILL	CENTRAL PANEL 1GR BLUE	PANNEAU CENTRAL 1GR BLEU	ZENTRALTAFEL 1GR BLAU
6	75288009	PANN.CENT.2GR GLORIA CELESTE+BRILL	CENTRAL PANEL 2GR BLUE	PANNEAU CENTRAL 2GR BLEU	ZENTRALTAFEL 2GR BLAU
6	75288013	PANN.CENT.3GR GLORIA CELESTE+BRILL	CENTRAL PANEL 3GR BLUE	PANNEAU CENTRAL 3GR BLEU	ZENTRALTAFEL 3GR BLAU
6	75288017	PANN.CENT.4GR GLORIA CELESTE+BRILL	CENTRAL PANEL 4GR BLUE	PANNEAU CENTRAL 4GR BLEU	ZENTRALTAFEL 4GR BLAU
7	75288006	PANN.SUP.1GR GLORIA CELESTE+BRILL	TOP PANEL 1GR BLUE	PANNEAU SUPERIEURE 1GR BLEU	OBERTAFEL 1GR BLAU
7	75288010	PANN.SUP.2GR GLORIA CELESTE+BRILL	TOP PANEL 2GR BLUE	PANNEAU SUPERIEURE 2GR BLEU	OBERTAFEL 2GR BLAU
7	75288014	PANN.SUP.3GR GLORIA CELESTE+BRILL	TOP PANEL 3GR BLUE	PANNEAU SUPERIEURE 3GR BLEU	OBERTAFEL 3GR BLAU
7	75288018	PANN.SUP.4GR GLORIA CELESTE+BRILL	TOP PANEL 4GR BLUE	PANNEAU SUPERIEURE 4GR BLEU	OBERTAFEL 4GR BLAU
8	21162147	PLEXIGLASS SUP.1GR GLORIA	PLEXIGLASS 1GR	PLEXIGLASS 1GR	PLEXIGLASS 1GR
8	21162148	PLEXIGLASS SUP.2GR GLORIA	PLEXIGLASS 2GR	PLEXIGLASS 2GR	PLEXIGLASS 2GR
8	21162149	PLEXIGLASS SUP.3GR GLORIA	PLEXIGLASS 3GR	PLEXIGLASS 3GR	PLEXIGLASS 3GR
8	21162150	PLEXIGLASS SUP.4GR GLORIA	PLEXIGLASS 4GR	PLEXIGLASS 4GR	PLEXIGLASS 4GR
9	75288007	PROF.SUP.FERMA PLEXIGLASS 1GR GLORIA INOX	PLEXIGLASS SUPPORT 1GR S.STEEL	SUPPORT PLEXIGLASS 1GR INOX	PLEXIGLASSHALTER 1GR STAHL
9	75288011	PROF.SUP.FERMA PLEXIGLASS 2GR GLORIA INOX	PLEXIGLASS SUPPORT 2GR S.STEEL	SUPPORT PLEXIGLASS 2GR INOX	PLEXIGLASSHALTER 2GR STAHL
9	75288015	PROF.SUP.FERMA PLEXIGLASS 3GR GLORIA INOX	PLEXIGLASS SUPPORT 3GR S.STEEL	SUPPORT PLEXIGLASS 3GR INOX	PLEXIGLASSHALTER 3GR STAHL
9	75288019	PROF.SUP.FERMA PLEXIGLASS 4GR GLORIA INOX	PLEXIGLASS SUPPORT 4GR S.STEEL	SUPPORT PLEXIGLASS 4GR INOX	PLEXIGLASSHALTER 4GR STAHL
10	76100109	GRIGLIA SUPERIORE AL/1 GLORIA INOX	TOP GRATE AL/1 S.STEEL	GRILLE SUP. AL/1 INOX	OBERGITTER AL/1 STAHL
10	76100110	GRIGLIA SUPERIORE AL/2 GLORIA INOX	TOP GRATE AL/2 S.STEEL	GRILLE SUP. AL/2 INOX	OBERGITTER AL/2 STAHL
10	76100111	GRIGLIA SUPERIORE AL/3 GLORIA INOX	TOP GRATE AL/3 S.STEEL	GRILLE SUP. AL/3 INOX	OBERGITTER AL/3 STAHL
10	76100112	GRIGLIA SUPERIORE AL/4 GLORIA INOX	TOP GRATE AL/4 S.STEEL	GRILLE SUP. AL/4 INOX	OBERGITTER AL/4 STAHL
11	76100101	GRIGLIA SUPERIORE ER/1 GLORIA INOX	TOP GRATE ER/1 S.STEEL	GRILLE SUP. ER/1 INOX	OBERGITTER ER/1 STAHL
11	76100102	GRIGLIA SUPERIORE ER/2 GLORIA INOX	TOP GRATE ER/2 S.STEEL	GRILLE SUP. ER/2 INOX	OBERGITTER ER/2 STAHL
11	76100103	GRIGLIA SUPERIORE ER/3 GLORIA INOX	TOP GRATE ER/3 S.STEEL	GRILLE SUP. ER/3 INOX	OBERGITTER ER/3 STAHL
11	76100104	GRIGLIA SUPERIORE ER/4 GLORIA INOX	TOP GRATE ER/4 S.STEEL	GRILLE SUP. ER/4 INOX	OBERGITTER ER/4 STAHL
12	77607051	PROF.INT.DESTRO FIANCO GLORIA	INTERNAL STRIP RIGHT	PROFIL INT. COTE DROIT	PROFIL INNEN RECHTE
13	73130220	FIANCO DESTRO GLORIA CELESTE+BRILL	RIGHT SIDE PANEL BLUE	COTE DROIT BLEU	RECHTE SEITE BLAU
14	77498500	PROF.FIANCO DESTRO GLORIA CROMO	RIGHT SIDE STRIP CHROME	PROFILS POUR COTE DROIT CHROME	PROFIL FUR RECHTE SEITE CHROME
15	77607049	STAFFA INF.DESTRA FIANCO GLORIA	LOWER SIDE BRACKET	ETRIER INFERIEUR COTE	SEITE BUGEL UNTER
16	77691960	PROT.PULS.AEP-SAE/1 GLORIA INOX/L	PUSH BUTTON PANEL GUARD AEP-SAE/1	PROTECTION CLAVIERS AEP-SAE/1	SCHUTZ BEDIENBLLENDE AEP-SAE/1
16	77691961	PROT.PULS.AEP-SAE/2 GLORIA INOX/L	PUSH BUTTON PANEL GUARD AEP-SAE/2	PROTECTION CLAVIERS AEP-SAE/2	SCHUTZ BEDIENBLLENDE AEP-SAE/2
16	77691962	PROT.PULS.AEP-SAE/3 GLORIA INOX/L	PUSH BUTTON PANEL GUARD AEP-SAE/3	PROTECTION CLAVIERS AEP-SAE/3	SCHUTZ BEDIENBLLENDE AEP-SAE/3
16	77691963	PROT.PULS.AEP-SAE/4 GLORIA INOX/L	PUSH BUTTON PANEL GUARD AEP-SAE/4	PROTECTION CLAVIERS AEP-SAE/4	SCHUTZ BEDIENBLLENDE AEP-SAE/4
17	15029050	MANOPOLA	KNOB	POIGNEE	HANDGRIFF

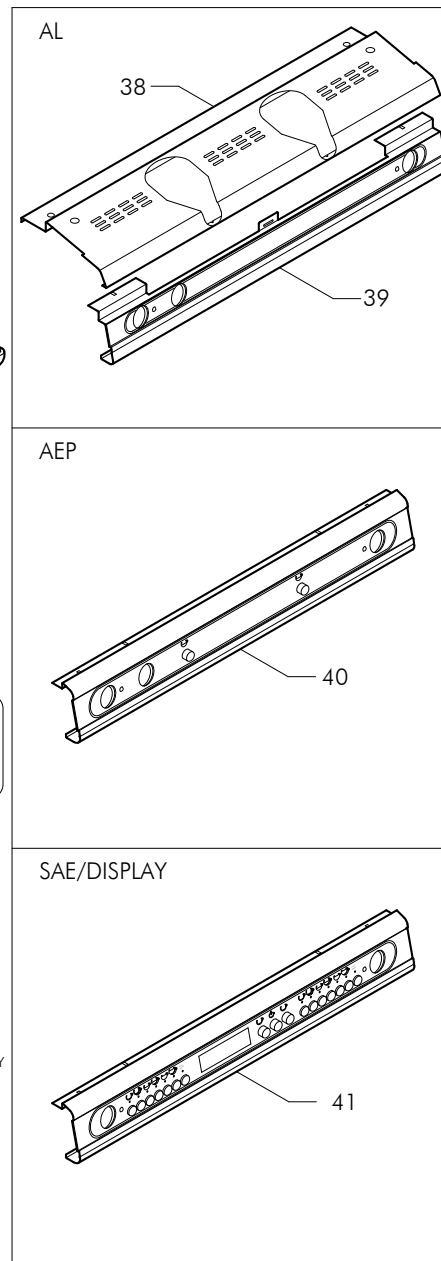
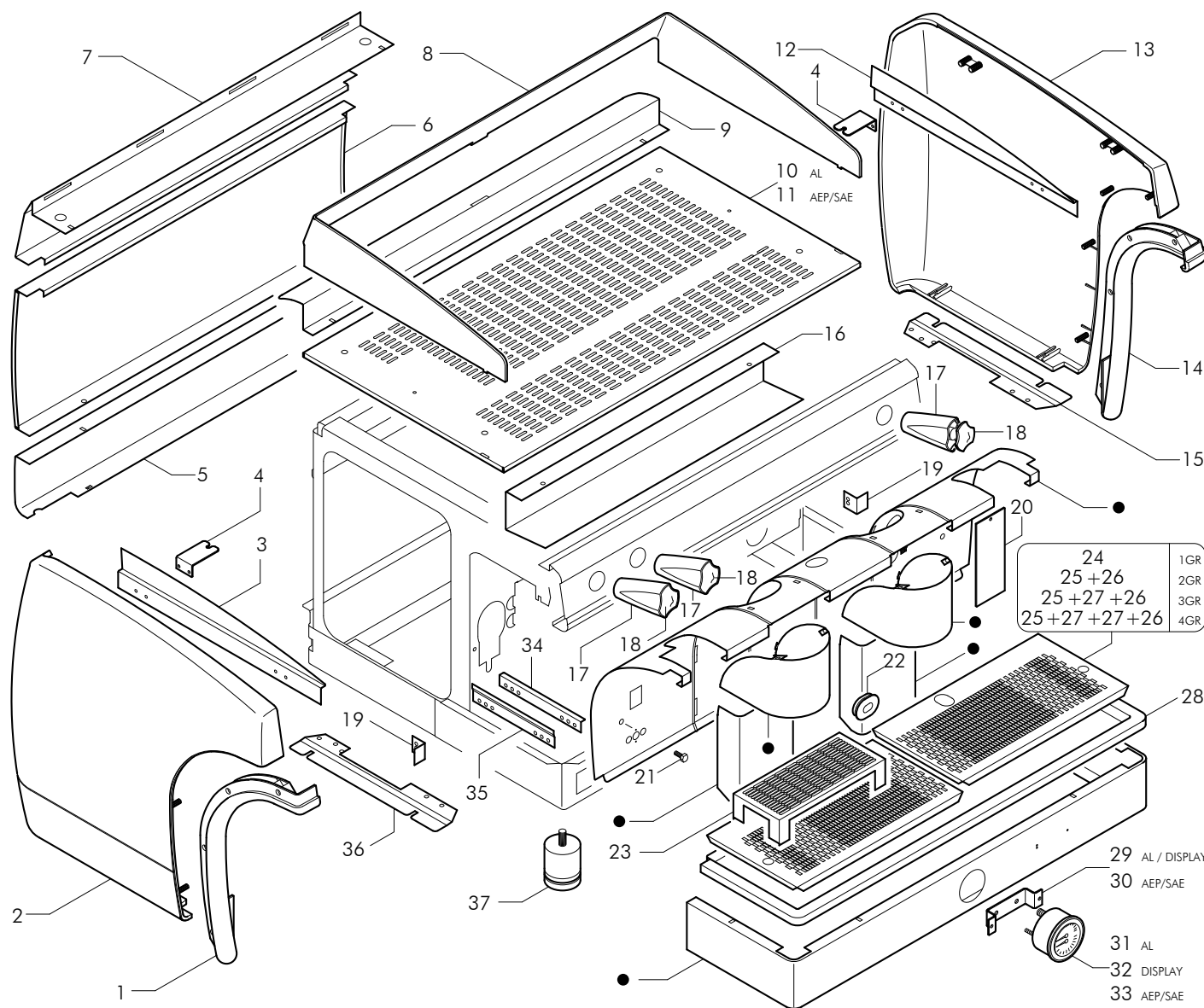


- 24 1GR
- 25+26 2GR
- 25+27+26 3GR
- 25+27+27+26 4GR

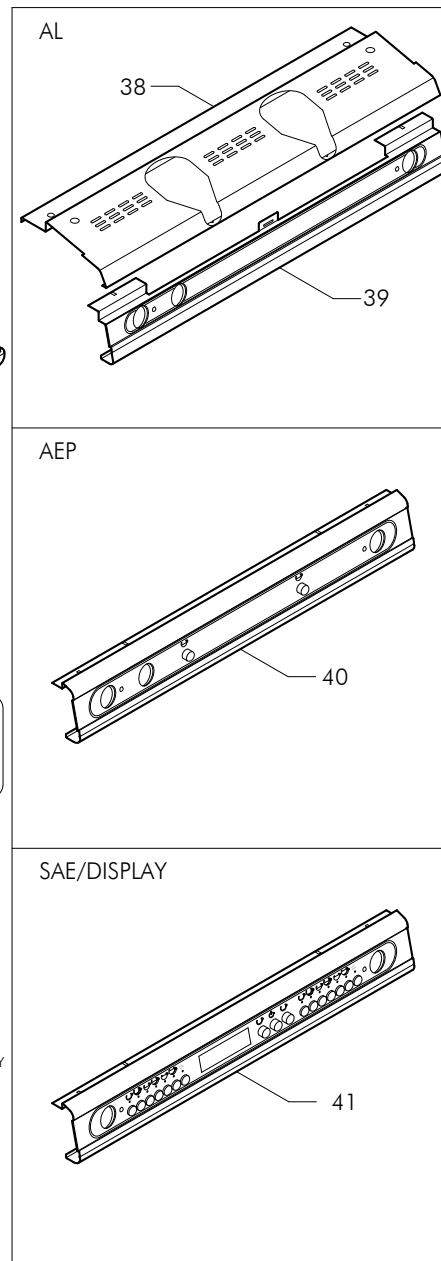
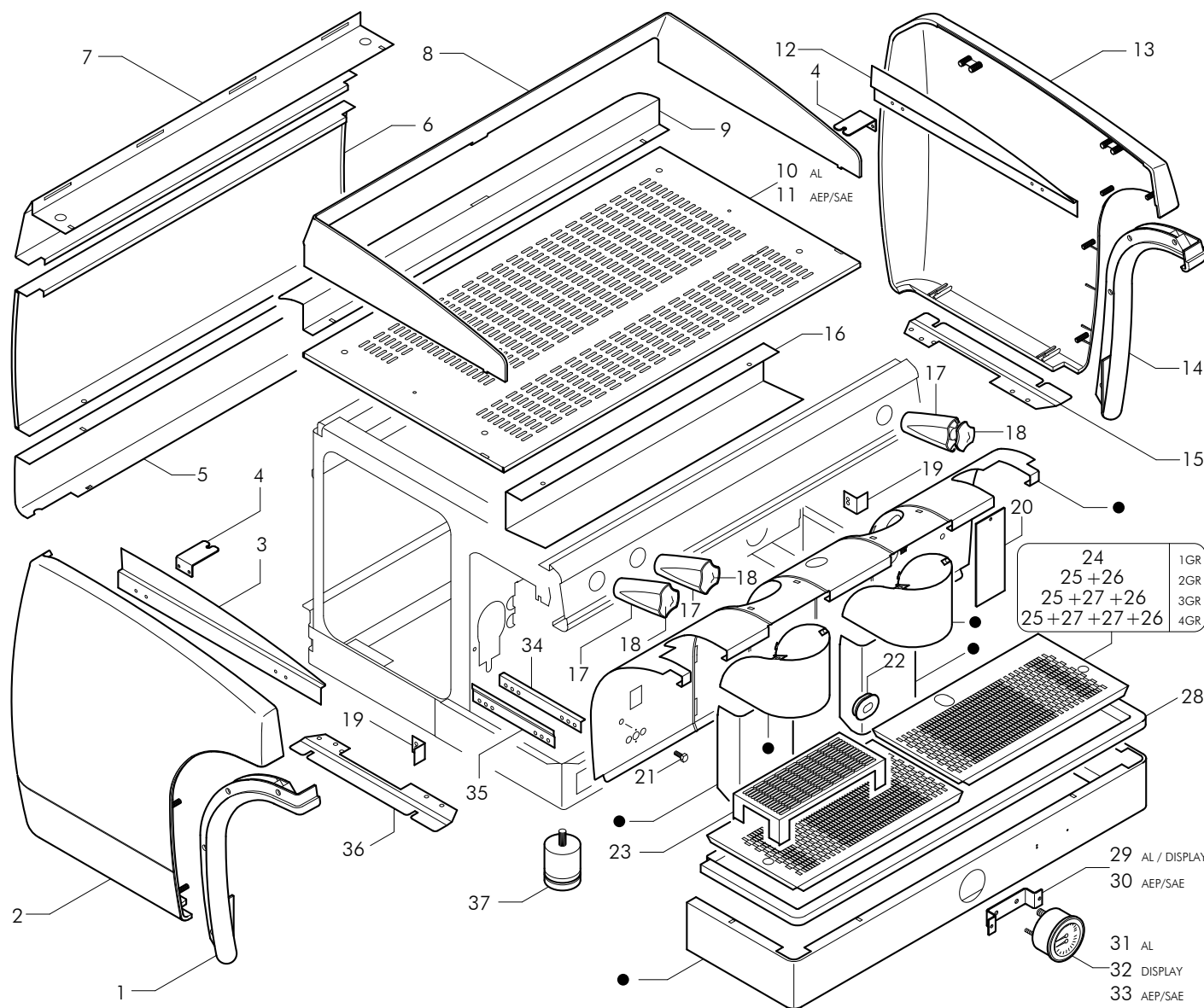
Pos	Cod.	Denominazione - IT -	Denomination - GB -	Denomination - FR -	Denomination - DE -
18	15029051	TAPPO MANOPOLA	CAP KNOB	BOUCHON POIGNEE	DECKEL HANDGRIFF
19	77607048	PROF.COPRIFORO INF.DX-SX FIANCO GLORIA	RIGHT-LEFT PROFILE SIDE	PROFIL DROIT-GAUCHE COTE	RECHT-LINKE PROFIL
20	21203	PLEXIGLASS SEGNALEVELLO GLORIA	COLOURLESS LEVEL INDICATOR 0	SIGNAL NIVEAU	FARBLOSER NIVEAUANZEIGER
21	23420	VITE TE OTTONE M6X12 NICHELATA	M6X12NICKEL-PLATED BRASS HEX.HEAD SCREW	VIS TH LAITON M6X12 NICKEELEE	SECHSKANTSCHRAUBE AUS MESSING M6X12
22	15373070	TAPPO ABS CROMATO FORO GAS	CHROMED KEY	BOUCHON CHROME COUVRE-TROU DU GAZ	CHROM TASTE
23	76149054	GRIGLIA RIALZO TAZZE	CUPS-STAND FOR RAISED GROUP	GRILLE SUPERIEURE	GITTER FUER HOHE GRUPPE
24	76153000	GRIGLIA INF.WN01 INOX LUC.456X201	LOWER GRILL 456X201 SHINY S.STEEL	GRILLE INF.INOX 456X201	STAHL-UNTERGITTER 456X201
25	76154000	GRIGLIA INF.DX WN01 IN/LUC.338.5X201	RIGHT LOWER GRILL -SHINY S.STEEL	GRILLE INF.DROIT INOX 338,5X201	STAHL-UNTER-RECHTEGITTER 338,5X201
26	76155000	GRIGLIA INF.SX WN01 IN/LUC.338.5X201	LEFT LOWER GRILL - SHINY S.STEEL	GRILLE INF.GAUCHE INOX 338,5X201	STAHL-UNTER-LINKEGITTER 338,5X201
27	76156000	GRIGLIA INF.WN01 INOX LUC. 253X201	LOWER GRILL 253X201 - SHINY S.STEEL	GRILLE INF.INOX 253X201	STAHL-UNTERGITTER 253X201
28	76095	BACINELLA 1GR INOX LUCIDO	1GR GLOSSY STAINLESS STEEL TRAY	BASSINELLE 1GR INOX BRILLANT	STAHLSCHALE 1GR
28	76096	BACINELLA 2GR INOX LUCIDO	2GR GLOSSY STAINLESS STEEL TRAY	BASSINELLE 2GR INOX BRILLANT	STAHLSCHALE 2GR
28	76097	BACINELLA 3GR INOX LUCIDO	3GR GLOSSY STAINLESS STEEL TRAY	BASSINELLE 3GR INOX BRILLANT	STAHLSCHALE 3GR
28	76098	BACINELLA 4GR INOX LUCIDO	4GR GLOSSY STAINLESS STEEL TRAY	BASSINELLE 4GR INOX BRILLANT	STAHLSCHALE 4GR
29	78150055	SUPPORTO MANOMETRO AL 1>4GR GLORIA	GAUGE SUPPORT AL 1>4GR	SUPPORT MANOMETRE AL 1>4GR	MANOMETERHALTER AL 1>4GR
30	78150054	SUPPORTO MANOMETRO ER 1>4GR GLORIA	GAUGE SUPPORT ER 1>4GR	SUPPORT MANOMETRE ER 1>4GR	MANOMETERHALTER ER 1>4GR
31	21113	MANOMETRO TONDO 3ATM A LEVA	ROUND PRESSURE GAUGE 3ATM	MANOMETRE 3ATM AL	MANOMETER 3ATM AL
32	21114	MANOMETRO TONDO 16BAR	ROUND PRESSURE GAUGE 16ATM	MANOMETRE ROND 16 ATM	MANOMETER 16 ATM
33	21112	MANOMETRO TONDO D.SCALA	PRESSURE GAUGE	MANOMETRE	MANOMETER
34	77741	GUIDA DESTRA-SINISTRA BACINELLA	R-L BASIN GUIDE FOR FRAMES	GUIDE DX-SX CUVE X CHASSIS	FÜHRUNG RECHTS-LINKS SCHALE FÜR RAH
35	77742005	DISTANZIALE GUIDA BACINELLA	SPACER GLOSSY	ENTRETOISE CUVE	DISTANZSTUCK
36	77607050	STAFFA INF.SX FIANCO GLORIA	LOWER SIDE BRACKET	ETRIER INFERIEUR COTE	SEITE BUGEL UNTER
37	15318	PIEDINO REGOLABILE INOX/SAT H55/69	ADJUSTABLE FOOT H55/69	PIED REGLABLE H55/69	REGELBARER FUSS H55/69
38	72699115	COPRIGRUPPO AL/1 GLORIA INOX LUC.	S.STEEL GROUP-COVER AL/1	COUVRE-GROUPE INOX AL/1	STAHL/GRUPPENDECKEL AL/1
38	72699116	COPRIGRUPPO AL/2 GLORIA INOX LUC.	S.STEEL GROUP-COVER AL/2	COUVRE-GROUPE INOX AL/2	STAHL/GRUPPENDECKEL AL/2
38	72699117	COPRIGRUPPO AL/3 GLORIA INOX LUC.	S.STEEL GROUP-COVER AL/3	COUVRE-GROUPE INOX AL/3	STAHL/GRUPPENDECKEL AL/3
38	72699118	COPRIGRUPPO AL/3 GLORIA INOX LUC.	S.STEEL GROUP-COVER AL/4	COUVRE-GROUPE INOX AL/4	STAHL/GRUPPENDECKEL AL/4
39	83700060R	KIT FRONTONE AL/1 GLORIA INOX	ASSEMBLY FRONT PANEL AL/1 S.STEEL	ENSEMBLE PANNEAU FRONTAL AL/1 INOX	STIRNTAFEL AL/1 STAHL GRUPPE
39	83700061R	KIT FRONTONE AL/2 GLORIA INOX	ASSEMBLY FRONT PANEL AL/2 S.STEEL	ENSEMBLE PANNEAU FRONTAL AL/2 INOX	STIRNTAFEL AL/2 STAHL GRUPPE
39	83700062R	KIT FRONTONE AL/3 GLORIA INOX	ASSEMBLY FRONT PANEL AL/3 S.STEEL	ENSEMBLE PANNEAU FRONTAL AL/3 INOX	STIRNTAFEL AL/3 STAHL GRUPPE
39	83700063R	KIT FRONTONE AL/4 GLORIA INOX	ASSEMBLY FRONT PANEL AL/4 S.STEEL	ENSEMBLE PANNEAU FRONTAL AL/4 INOX	STIRNTAFEL AL/4 STAHL GRUPPE
40	83700000R	KIT FRONTONE AEP/1 GLORIA CELESTE	ASSEMBLY FRONT PANEL AEP/1 BLUE	ENSEMBLE PANNEAU FRONTAL AEP/1 BLEU	STIRNTAFEL AEP/1 BLAU GRUPPE
40	83700002R	KIT FRONTONE AEP/2 GLORIA CELESTE	ASSEMBLY FRONT PANEL AEP/2 BLUE	ENSEMBLE PANNEAU FRONTAL AEP/2 BLEU	STIRNTAFEL AEP/2 BLAU GRUPPE
40	83700004R	KIT FRONTONE AEP/3 GLORIA CELESTE	ASSEMBLY FRONT PANEL AEP/3 BLUE	ENSEMBLE PANNEAU FRONTAL AEP/3 BLEU	STIRNTAFEL AEP/3 BLAU GRUPPE
40	83700006R	KIT FRONTONE AEP/4 GLORIA CELESTE	ASSEMBLY FRONT PANEL AEP/4 BLUE	ENSEMBLE PANNEAU FRONTAL AEP/4 BLEU	STIRNTAFEL AEP/4 BLAU GRUPPE
41	83700001R	KIT FRONTONE SAE/1 GLORIA CELESTE	ASSEMBLY FRONT PANEL SAE/1 BLUE	ENSEMBLE PANNEAU FRONTAL SAE/1 BLEU	STIRNTAFEL SAE/1 BLAU GRUPPE
41	83700003R	KIT FRONTONE SAE/2 GLORIA CELESTE	ASSEMBLY FRONT PANEL SAE/2 BLUE	ENSEMBLE PANNEAU FRONTAL SAE/2 BLEU	STIRNTAFEL SAE/2 BLAU GRUPPE
41	83700005R	KIT FRONTONE SAE/3 GLORIA CELESTE	ASSEMBLY FRONT PANEL SAE/3 BLUE	ENSEMBLE PANNEAU FRONTAL SAE/3 BLEU	STIRNTAFEL SAE/3 BLAU GRUPPE
41	83700007R	KIT FRONTONE SAE/4 GLORIA CELESTE	ASSEMBLY FRONT PANEL SAE/4 BLUE	ENSEMBLE PANNEAU FRONTAL SAE/4 BLEU	STIRNTAFEL SAE/4 BLAU GRUPPE
41	83700048R	KIT FRONTONE SAE/1+DISPLAY CELESTE+BRILL	ASSEMBLY FRONT PANEL SAE/1+DISPLAY BLEU	ENSEMBLE PANNEAU FRONTAL SAE/1+AFFICHEUR	STIRNTAFEL SAE/1+DISPLAY BLAU GRUPPE
41	83700049R	KIT FRONTONE SAE/1+THE CELESTE+BRILL	ASSEMBLY FRONT PANEL SAE/1+THE BLUE	ENSEMBLE PANNEAU FRONTAL SAE/1+THE BLEU	STIRNTAFEL SAE/1+TEE BLAU GRUPPE



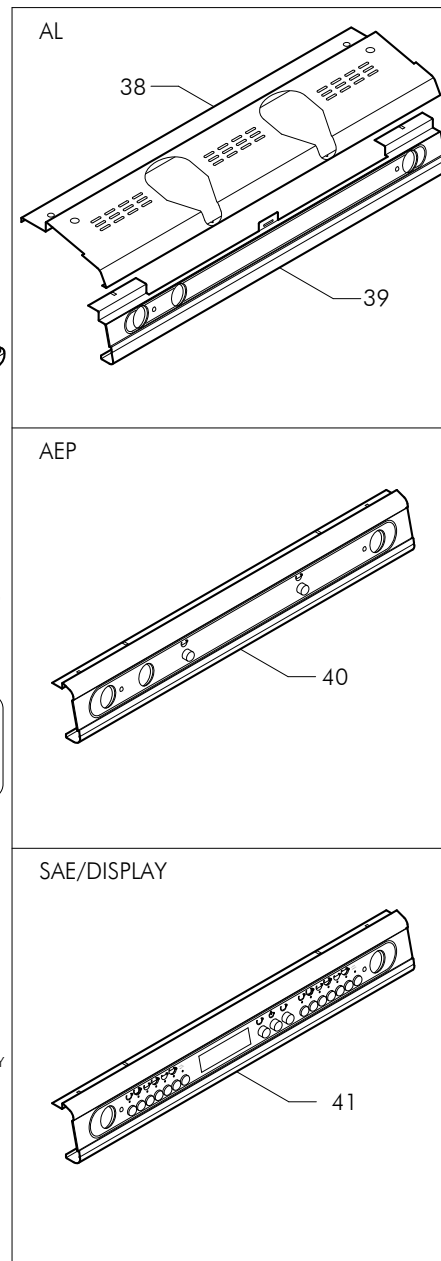
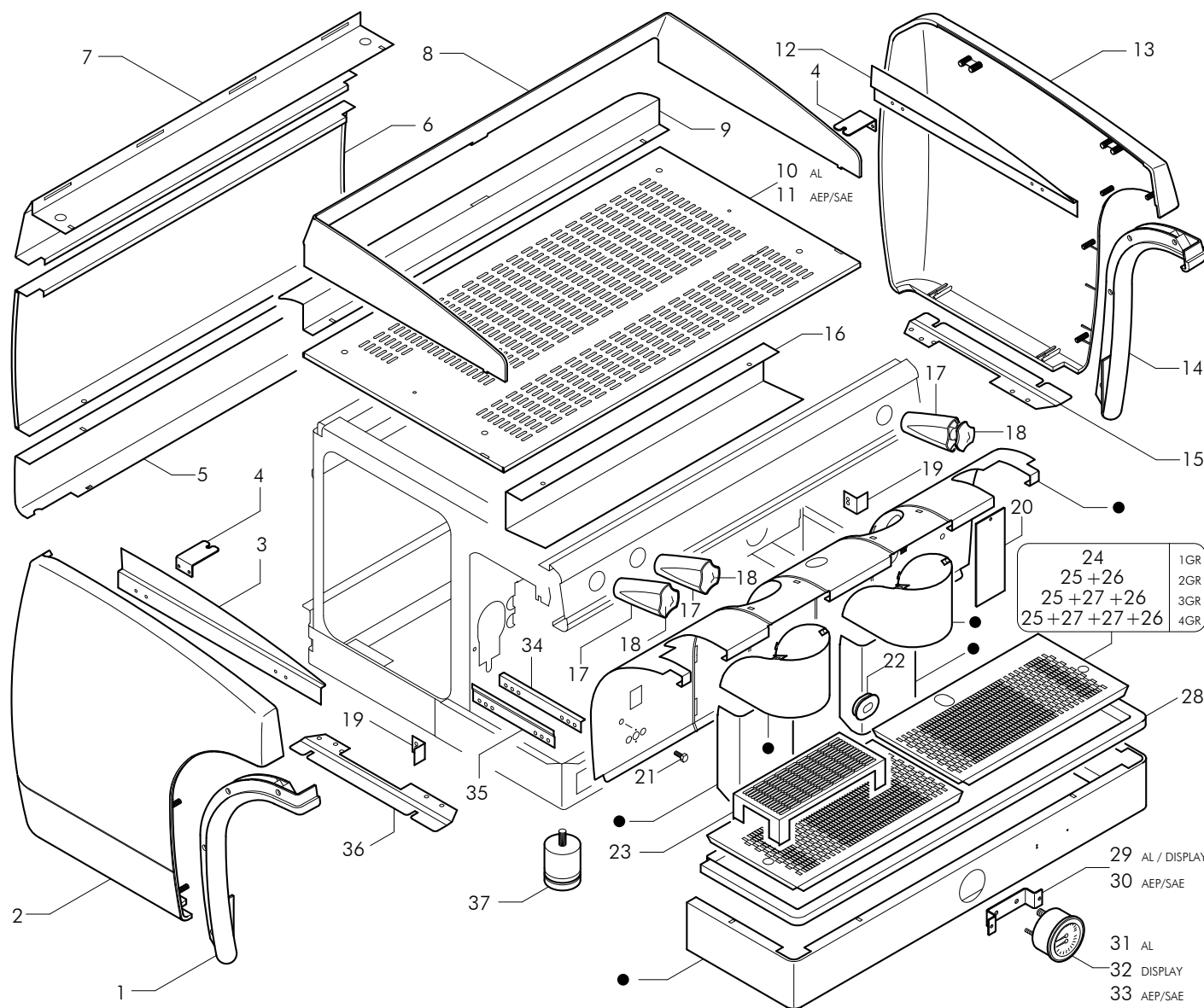
Pos	Cod.	Denominazione - IT -	Denomination - GB -	Denomination - FR -	Denomination - DE -
1	77498501	PROF.FIANCO SX GLORIA CROMO	LEFT SIDE STRIP CHROME	PROFILS POUR COTE GAUCHE CHROME	PROFIL FUR LINKE SEITE GLORIA CHROM
2	73130225	FIANCO SINISTRO GLORIA NERO9005+BRILL	LEFT SIDE PANEL BLACK	COTE GAUCHE NOIR	LINKE SEITE SCHWARZ
3	77607052	PROF.INT.SINISTRO FIANCO	INTERNAL STRIP LEFT	PROFIL INT. GAUCHE	PROFIL INNEN LINKE
4	78167010	STAFFA SUP.DX-SX SUPPORTO FIANCO	RH-LH PANEL SUPPORT	SUPPORT DR-GA COTE	RECHTS/LINKS HALTER
5	75288036	PANN.INF.1GR GLORIA NERO RAL9005+BRILL	LOWER PANEL 1GR BLACK	PANNEAU INF. 1GR NOIR	UNTERTAFEL 1GR SCHWARZ
5	75288040	PANN.INF.2GR GLORIA NERO RAL9005+BRILL	LOWER PANEL 2GR BLACK	PANNEAU INF. 2GR NOIR	UNTERTAFEL 2GR SCHWARZ
5	75288044	PANN.INF.3GR GLORIA NERO RAL9005+BRILL	LOWER PANEL 3GR BLACK	PANNEAU INF. 3GR NOIR	UNTERTAFEL 3GR SCHWARZ
5	75288048	PANN.INF.4GR GLORIA NERO RAL9005+BRILL	LOWER PANEL 4GR BLACK	PANNEAU INF. 4GR NOIR	UNTERTAFEL 4GR SCHWARZ
6	75288037	PANN.CENT.1GR GLORIA NERO RAL9005+BRILL	CENTRAL PANEL 1GR BLACK	PANNEAU CENTRAL 1GR NOIR	ZENTRALTAFEL 1GR SCHWARZ
6	75288041	PANN.CENT.2GR GLORIA NERO RAL9005+BRILL	CENTRAL PANEL 2GR BLACK	PANNEAU CENTRAL 2GR NOIR	ZENTRALTAFEL 2GR SCHWARZ
6	75288045	PANN.CENT.3GR GLORIA NERO RAL9005+BRILL	CENTRAL PANEL 3GR BLACK	PANNEAU CENTRAL 3GR NOIR	ZENTRALTAFEL 3GR SCHWARZ
6	75288049	PANN.CENT.4GR GLORIA NERO RAL9005+BRILL	CENTRAL PANEL 4GR BLACK	PANNEAU CENTRAL 4GR NOIR	ZENTRALTAFEL 4GR SCHWARZ
7	75288038	PANN.SUP.1GR GLORIA NERO RAL9005+BRILL	TOP PANEL 1GR BLACK	PANNEAU SUPERIEURE 1GR NOIR	OBERTAFEL 1GR SCHWARZ
7	75288042	PANN.SUP.2GR GLORIA NERO RAL9005+BRILL	TOP PANEL 2GR BLACK	PANNEAU SUPERIEURE 2GR NOIR	OBERTAFEL 2GR SCHWARZ
7	75288046	PANN.SUP.3GR GLORIA NERO RAL9005+BRILL	TOP PANEL 3GR BLACK	PANNEAU SUPERIEURE 3GR NOIR	OBERTAFEL 3GR SCHWARZ
7	75288050	PANN.SUP.4GR GLORIA NERO RAL9005+BRILL	TOP PANEL 4GR BLACK	PANNEAU SUPERIEURE 4GR NOIR	OBERTAFEL 4GR SCHWARZ
8	21162147	PLEXIGLASS SUP.1GR GLORIA	PLEXIGLASS 1GR	PLEXIGLASS 1GR	PLEXIGLASS 1GR
8	21162148	PLEXIGLASS SUP.2GR GLORIA	PLEXIGLASS 2GR	PLEXIGLASS 2GR	PLEXIGLASS 2GR
8	21162149	PLEXIGLASS SUP.3GR GLORIA	PLEXIGLASS 3GR	PLEXIGLASS 3GR	PLEXIGLASS 3GR
8	21162150	PLEXIGLASS SUP.4GR GLORIA	PLEXIGLASS 4GR	PLEXIGLASS 4GR	PLEXIGLASS 4GR
9	75288007	PROF.SUP.FERMA PLEXIGLASS 1GR GLORIA INOX	PLEXIGLASS SUPPORT 1GR S.STEEL	SUPPORT PLEXIGLASS 1GR INOX	PLEXIGLASSHALTER 1GR STAHL
9	75288011	PROF.SUP.FERMA PLEXIGLASS 2GR GLORIA INOX	PLEXIGLASS SUPPORT 2GR S.STEEL	SUPPORT PLEXIGLASS 2GR INOX	PLEXIGLASSHALTER 2GR STAHL
9	75288015	PROF.SUP.FERMA PLEXIGLASS 3GR GLORIA INOX	PLEXIGLASS SUPPORT 3GR S.STEEL	SUPPORT PLEXIGLASS 3GR INOX	PLEXIGLASSHALTER 3GR STAHL
9	75288019	PROF.SUP.FERMA PLEXIGLASS 4GR GLORIA INOX	PLEXIGLASS SUPPORT 4GR S.STEEL	SUPPORT PLEXIGLASS 4GR INOX	PLEXIGLASSHALTER 4GR STAHL
10	76100109	GRIGLIA SUPERIORE AL/1 GLORIA INOX	TOP GRATE AL/1 S.STEEL	GRILLE SUP. AL/1 INOX	OBERGITTER AL/1 STAHL
10	76100110	GRIGLIA SUPERIORE AL/2 GLORIA INOX	TOP GRATE AL/2 S.STEEL	GRILLE SUP. AL/2 INOX	OBERGITTER AL/2 STAHL
10	76100111	GRIGLIA SUPERIORE AL/3 GLORIA INOX	TOP GRATE AL/3 S.STEEL	GRILLE SUP. AL/3 INOX	OBERGITTER AL/3 STAHL
10	76100112	GRIGLIA SUPERIORE AL/4 GLORIA INOX	TOP GRATE AL/4 S.STEEL	GRILLE SUP. AL/4 INOX	OBERGITTER AL/4 STAHL
11	76100101	GRIGLIA SUPERIORE ER/1 GLORIA INOX	TOP GRATE ER/1 S.STEEL	GRILLE SUP. ER/1 INOX	OBERGITTER ER/1 STAHL
11	76100102	GRIGLIA SUPERIORE ER/2 GLORIA INOX	TOP GRATE ER/2 S.STEEL	GRILLE SUP. ER/2 INOX	OBERGITTER ER/2 STAHL
11	76100103	GRIGLIA SUPERIORE ER/3 GLORIA INOX	TOP GRATE ER/3 S.STEEL	GRILLE SUP. ER/3 INOX	OBERGITTER ER/3 STAHL
11	76100104	GRIGLIA SUPERIORE ER/4 GLORIA INOX	TOP GRATE ER/4 S.STEEL	GRILLE SUP. ER/4 INOX	OBERGITTER ER/4 STAHL
12	77607051	PROF.INT.DESTRO FIANCO GLORIA	INTERNAL STRIP RIGHT	PROFIL INT. COTE DROIT	PROFIL INNEN RECHTE
13	73130224	FIANCO DESTRO GLORIA NERO9005+BRILL	RIGHT SIDE PANEL BLACK	COTE DROIT NOIR	RECHTE SEITE SCHWARZ
14	77498500	PROF.FIANCO DESTRO GLORIA CROMO	RIGHT SIDE STRIP CHROME	PROFILS POUR COTE DROIT CHROME	PROFIL FUR RECHTE SEITE CHROME
15	77607049	STAFFA INF.DESTRA FIANCO GLORIA	LOWER SIDE BRACKET	ETRIER INFERIEUR COTE	SEITE BUGEL UNTER
16	77691960	PROT.PULS.AEP-SAE/1 GLORIA INOX/L	PUSH BUTTON PANEL GUARD AEP-SAE/1	PROTECTION CLAVIERS AEP-SAE/1	SCHUTZ BEDIENBLENDE AEP-SAE/1
16	77691961	PROT.PULS.AEP-SAE/2 GLORIA INOX/L	PUSH BUTTON PANEL GUARD AEP-SAE/2	PROTECTION CLAVIERS AEP-SAE/2	SCHUTZ BEDIENBLENDE AEP-SAE/2
16	77691962	PROT.PULS.AEP-SAE/3 GLORIA INOX/L	PUSH BUTTON PANEL GUARD AEP-SAE/3	PROTECTION CLAVIERS AEP-SAE/3	SCHUTZ BEDIENBLENDE AEP-SAE/3
16	77691963	PROT.PULS.AEP-SAE/4 GLORIA INOX/L	PUSH BUTTON PANEL GUARD AEP-SAE/4	PROTECTION CLAVIERS AEP-SAE/4	SCHUTZ BEDIENBLENDE AEP-SAE/4
17	15029050	MANOPOLA	KNOB	POIGNEE	HANDGRIFF



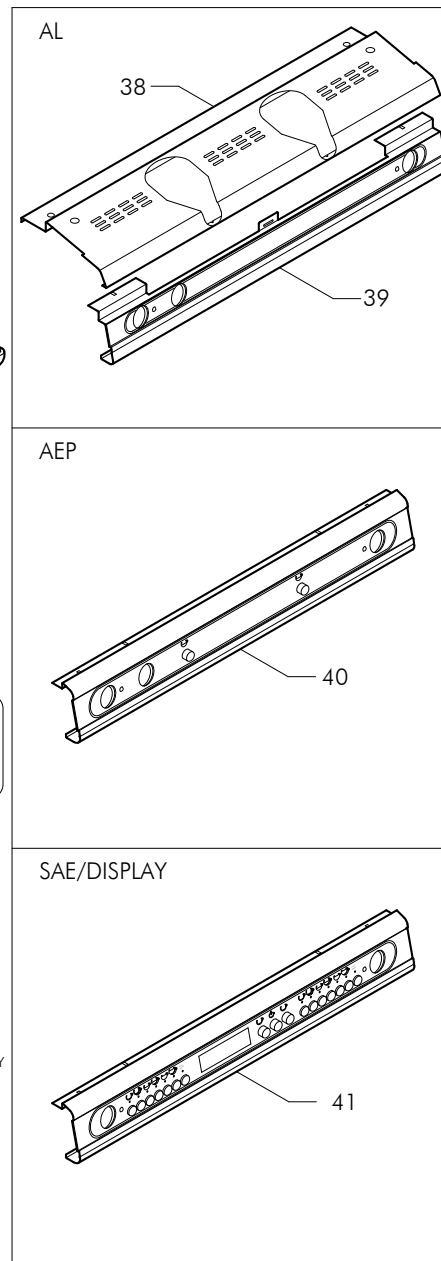
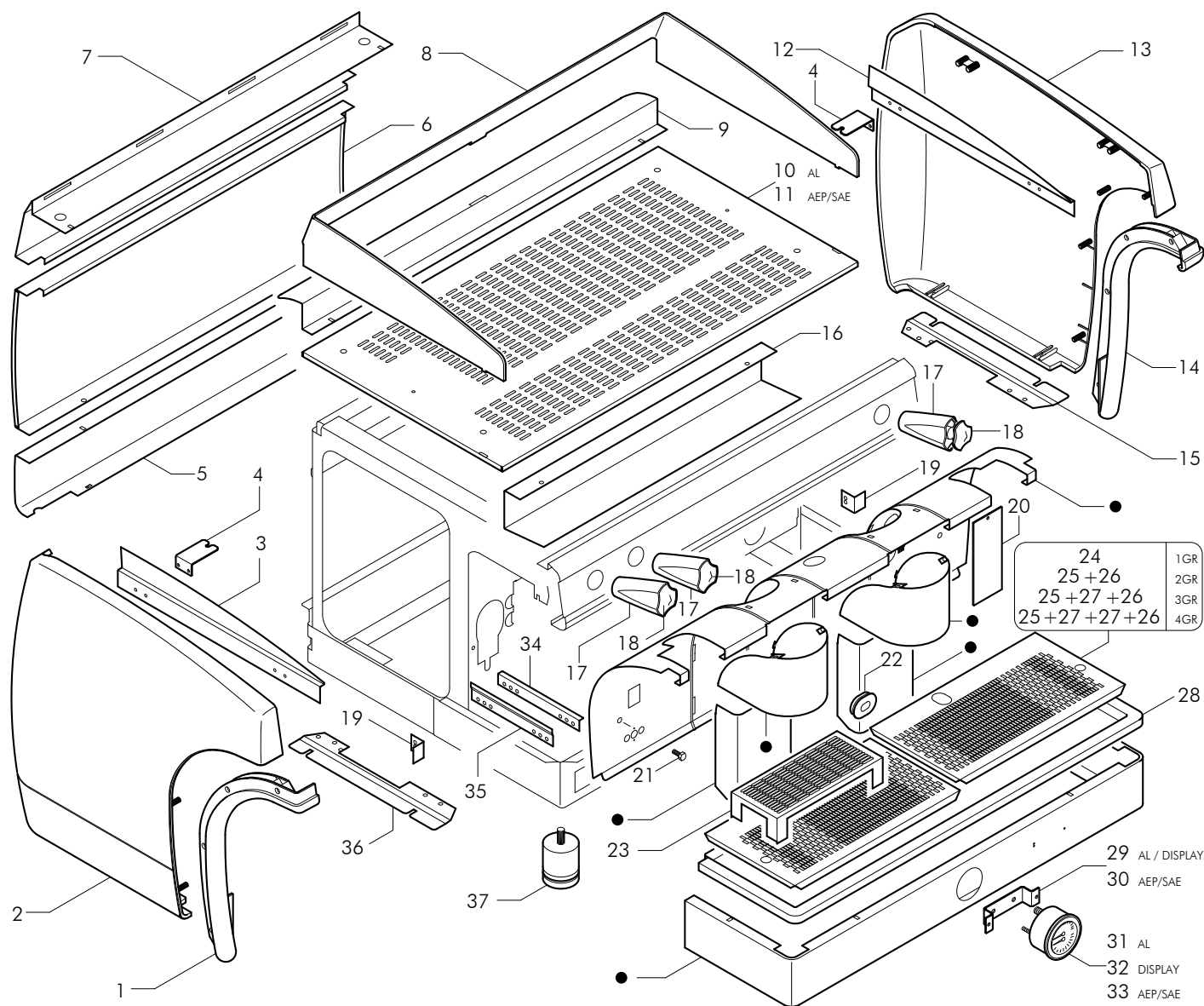
Pos	Cod.	Denominazione - IT -	Denomination - GB -	Denomination - FR -	Denomination - DE -
18	15029051	TAPPO MANOPOLA	CAP KNOB	BOUCHON POIGNEE	DECKEL HANDGRIFF
19	77607048	PROF.COPRIFORO INF.DX-SX FIANCO GLORIA	RIGHT-LEFT PROFILE SIDE	PROFIL DROIT-GAUCHE COTE	RECHT-LINKE PROFIL
20	21203	PLEXIGLASS SEGNALEVELLO GLORIA	COLOURLESS LEVEL INDICATOR 0	SIGNAL NIVEAU	FARBLOSER NIVEAUANZEIGER
21	23420	VITE TE OTTONE M6X12 NICHELATA	M6X12NICKEL-PLATED BRASS HEX.HEAD SCREW	VIS TH LAITON M6X12 NICKEELEE	SECHSKANTSCHRAUBE AUS MESSING M6X12
22	15373070	TAPPO ABS CROMATO FORO GAS	CHROMED KEY	BOUCHON CHROME COUVRE-TROU DU GAZ	CHROM TASTE
23	76149054	GRIGLIA RIALZO TAZZE	CUPS-STAND FOR RAISED GROUP	GRILLE SUPERIEURE	GITTER FUER HOHE GRUPPE
24	76153000	GRIGLIA INF.WN01 INOX LUC.456X201	LOWER GRILL 456X201 SHINY S.STEEL	GRILLE INF.INOX 456X201	STAHL-UNTERGITTER 456X201
25	76154000	GRIGLIA INF.DX WN01 IN/LUC.338.5X201	RIGHT LOWER GRILL -SHINY S.STEEL	GRILLE INF.DROIT INOX 338,5X201	STAHL-UNTER-RECHTEGITTER 338,5X201
26	76155000	GRIGLIA INF.SX WN01 IN/LUC.338.5X201	LEFT LOWER GRILL - SHINY S.STEEL	GRILLE INF.GAUCHE INOX 338,5X201	STAHL-UNTER-LINKEGITTER 338,5X201
27	76156000	GRIGLIA INF.WN01 INOX LUC. 253X201	LOWER GRILL 253X201 - SHINY S.STEEL	GRILLE INF.INOX 253X201	STAHL-UNTERGITTER 253X201
28	76095	BACINELLA 1GR INOX LUCIDO	1GR GLOSSY STAINLESS STEEL TRAY	BASSINELLE 1GR INOX BRILLANT	STAHLSCHALE 1GR
28	76096	BACINELLA 2GR INOX LUCIDO	2GR GLOSSY STAINLESS STEEL TRAY	BASSINELLE 2GR INOX BRILLANT	STAHLSCHALE 2GR
28	76097	BACINELLA 3GR INOX LUCIDO	3GR GLOSSY STAINLESS STEEL TRAY	BASSINELLE 3GR INOX BRILLANT	STAHLSCHALE 3GR
28	76098	BACINELLA 4GR INOX LUCIDO	4GR GLOSSY STAINLESS STEEL TRAY	BASSINELLE 4GR INOX BRILLANT	STAHLSCHALE 4GR
29	78150055	SUPPORTO MANOMETRO AL 1>4GR GLORIA	GAUGE SUPPORT AL 1>4GR	SUPPORT MANOMETRE AL 1>4GR	MANOMETERHALTER AL 1>4GR
30	78150054	SUPPORTO MANOMETRO ER 1>4GR GLORIA	GAUGE SUPPORT ER 1>4GR	SUPPORT MANOMETRE ER 1>4GR	MANOMETERHALTER ER 1>4GR
31	21113	MANOMETRO TONDO 3ATM A LEVA	ROUND PRESSURE GAUGE 3ATM	MANOMETRE 3ATM AL	MANOMETER 3ATM AL
32	21114	MANOMETRO TONDO 16BAR	ROUND PRESSURE GAUGE 16ATM	MANOMETRE ROND 16 ATM	MANOMETER 16 ATM
33	21112	MANOMETRO TONDO D.SCALA	PRESSURE GAUGE	MANOMETRE	MANOMETER
34	77741	GUIDA DESTRA-SINISTRA BACINELLA	R-L BASIN GUIDE FOR FRAMES	GUIDE DX-SX CUVE X CHASSIS	FÜHRUNG RECHTS-LINKS SCHALE FÜR RAH
35	77742005	DISTANZIALE GUIDA BACINELLA	SPACER GLOSSY	ENTRETOISE CUVE	DISTANZSTUCK
36	77607050	STAFFA INF.SX FIANCO GLORIA	LOWER SIDE BRACKET	ETRIER INFERIEUR COTE	SEITE BUGEL UNTER
37	15318	PIEDINO REGOLABILE INOX/SAT H55/69	ADJUSTABLE FOOT H55/69	PIED REGLABLE H55/69	REGELBARER FUSS H55/69
38	72699115	COPRIGRUPPO AL/1 GLORIA INOX LUC.	S.STEEL GROUP-COVER AL/1	COUVRE-GROUPE INOX AL/1	STAHL/GRUPPENDECKEL AL/1
38	72699116	COPRIGRUPPO AL/2 GLORIA INOX LUC.	S.STEEL GROUP-COVER AL/2	COUVRE-GROUPE INOX AL/2	STAHL/GRUPPENDECKEL AL/2
38	72699117	COPRIGRUPPO AL/3 GLORIA INOX LUC.	S.STEEL GROUP-COVER AL/3	COUVRE-GROUPE INOX AL/3	STAHL/GRUPPENDECKEL AL/3
38	72699118	COPRIGRUPPO AL/3 GLORIA INOX LUC.	S.STEEL GROUP-COVER AL/4	COUVRE-GROUPE INOX AL/4	STAHL/GRUPPENDECKEL AL/4
39	83700060R	KIT FRONTONE AL/1 GLORIA INOX	ASSEMBLY FRONT PANEL AL/1 S.STEEL	ENSEMBLE PANNEAU FRONTAL AL/1 INOX	STIRNTAFEL AL/1 STAHL GRUPPE
39	83700061R	KIT FRONTONE AL/2 GLORIA INOX	ASSEMBLY FRONT PANEL AL/2 S.STEEL	ENSEMBLE PANNEAU FRONTAL AL/2 INOX	STIRNTAFEL AL/2 STAHL GRUPPE
39	83700062R	KIT FRONTONE AL/3 GLORIA INOX	ASSEMBLY FRONT PANEL AL/3 S.STEEL	ENSEMBLE PANNEAU FRONTAL AL/3 INOX	STIRNTAFEL AL/3 STAHL GRUPPE
39	83700063R	KIT FRONTONE AL/4 GLORIA INOX	ASSEMBLY FRONT PANEL AL/4 S.STEEL	ENSEMBLE PANNEAU FRONTAL AL/4 INOX	STIRNTAFEL AL/4 STAHL GRUPPE
40	83700024R	KIT FRONTONE AEP/1 GLORIA NERO	ASSEMBLY FRONT PANEL AEP/1 BLACK	ENSEMBLE PANNEAU FRONTAL AEP/1 NOIR	STIRNTAFEL AEP/1 SCHWARZ GRUPPE
40	83700026R	KIT FRONTONE AEP/2 GLORIA NERO	ASSEMBLY FRONT PANEL AEP/2 BLACK	ENSEMBLE PANNEAU FRONTAL AEP/2 NOIR	STIRNTAFEL AEP/2 SCHWARZ GRUPPE
40	83700028R	KIT FRONTONE AEP/3 GLORIA NERO	ASSEMBLY FRONT PANEL AEP/3 BLACK	ENSEMBLE PANNEAU FRONTAL AEP/3 NOIR	STIRNTAFEL AEP/3 SCHWARZ GRUPPE
40	83700030R	KIT FRONTONE AEP/4 GLORIA NERO	ASSEMBLY FRONT PANEL AEP/4 BLACK	ENSEMBLE PANNEAU FRONTAL AEP/4 NOIR	STIRNTAFEL AEP/4 SCHWARZ GRUPPE
41	83700025R	KIT FRONTONE SAE/1 GLORIA NERO	ASSEMBLY FRONT PANEL SAE/1 BLACK	ENSEMBLE PANNEAU FRONTAL SAE/1 NOIR	STIRNTAFEL SAE/1 SCHWARZ GRUPPE
41	83700027R	KIT FRONTONE SAE/2 GLORIA NERO	ASSEMBLY FRONT PANEL SAE/2 BLACK	ENSEMBLE PANNEAU FRONTAL SAE/2 NOIR	STIRNTAFEL SAE/2 SCHWARZ GRUPPE
41	83700029R	KIT FRONTONE SAE/3 GLORIA NERO	ASSEMBLY FRONT PANEL SAE/3 BLACK	ENSEMBLE PANNEAU FRONTAL SAE/3 NOIR	STIRNTAFEL SAE/3 SCHWARZ GRUPPE
41	83700031R	KIT FRONTONE SAE/4 GLORIA NERO	ASSEMBLY FRONT PANEL SAE/4 BLACK	ENSEMBLE PANNEAU FRONTAL SAE/4 NOIR	STIRNTAFEL SAE/4 SCHWARZ GRUPPE
41	83700054R	KIT FRONTONE SAE/1+DISPLAY RAL9005+BRILL	ASSEMBLY FRONT PANEL SAE/1+DISP.RAL9005	ENSEMBLE PANN.FRONT.SAE/1+AFFICH.RAL9005	STIRNTAFEL SAE/1+DISPLAY RAL9005 GRUPPE
41	83700055R	KIT FRONTONE SAE/1+THE RAL9005+BRILL	ASSEMBLY FRONT PANEL SAE/1+THE RAL9005	ENSEMBLE PANN.FRONT.SAE/1+THE RAL9005	STIRNTAFEL SAE/1+TEE RAL9005+BRILL GRUPPE



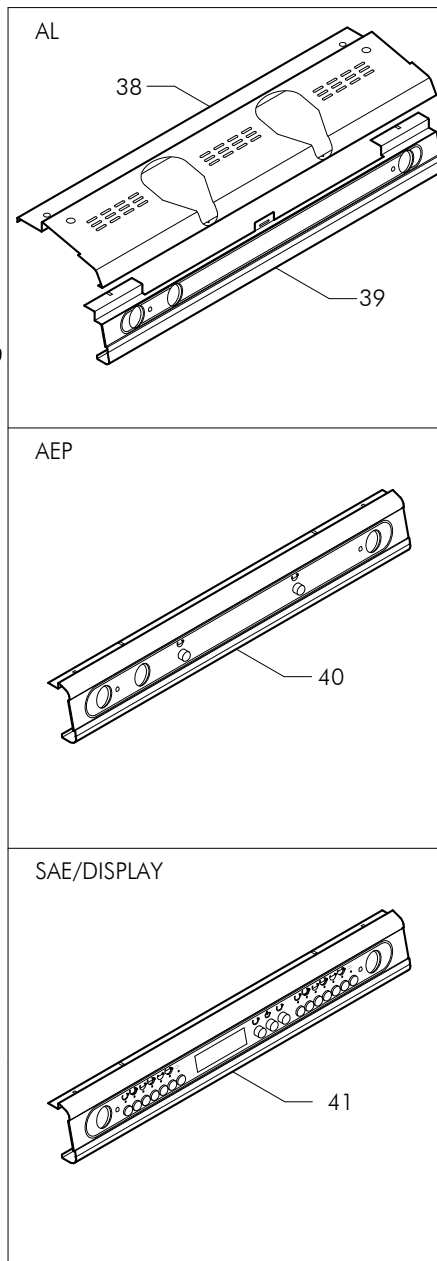
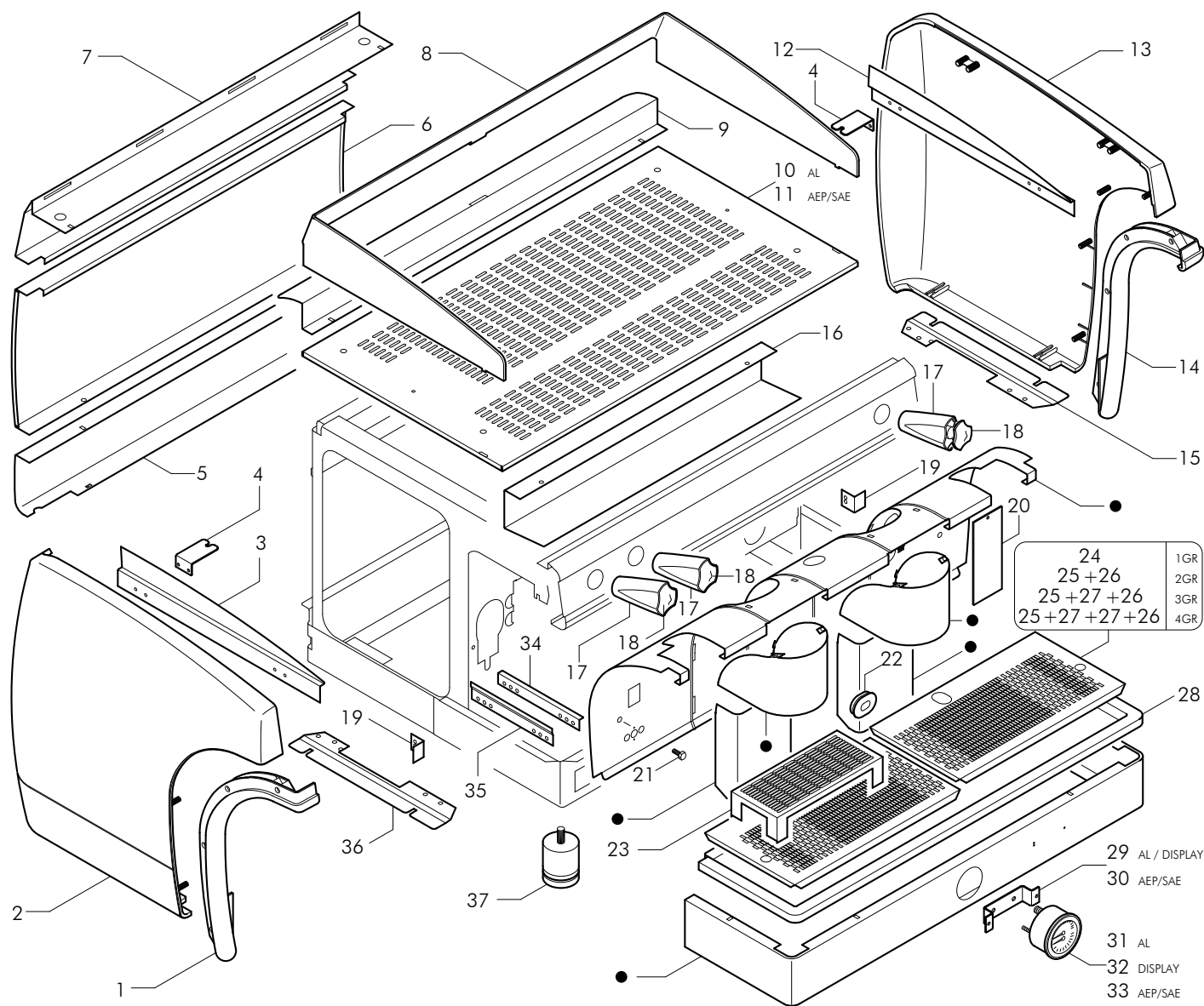
Pos	Cod.	Denominazione - IT -	Denomination - GB -	Denomination - FR -	Denomination - DE -
1	77498501	PROF.FIANCO SX GLORIA CROMO	LEFT SIDE STRIP CHROME	PROFILS POUR COTE GAUCHE CHROME	PROFIL FUR LINKE SEITE GLORIA CHROM
2	73130231	FIANCO SINISTRO GLORIA GRIGIO G332	LEFT SIDE PANEL GRAY G332	COTE GAUCHE GRIS G332	LINKE SEITE GRAU G332
3	77607052	PROF.INT.SINISTRO FIANCO	INTERNAL STRIP LEFT	PROFIL INT. GAUCHE	PROFIL INNEN LINKE
4	78167010	STAFFA SUP.DX-SX SUPPORTO FIANCO	RH-LH PANEL SUPPORT	SUPPORT DR-GA COTE	RECHTS/LINKS HALTER
5	75288078	PANN.INF.1GR GLORIA GRIGIO G332	LOWER PANEL 1GR GRAY G332	PANNEAU INF. 1GR GRIS G332	UNTERTAFEL 1GR GRAU G332
5	75288081	PANN.INF.2GR GLORIA GRIGIO G332	LOWER PANEL 2GR GRAY G332	PANNEAU INF. 2GR GRIS G332	UNTERTAFEL 2GR GRAU G332
5	75288084	PANN.INF.3GR GLORIA GRIGIO G332	LOWER PANEL 3GR GRAY G332	PANNEAU INF. 3GR GRIS G332	UNTERTAFEL 3GR GRAU G332
5	75288087	PANN.INF.4GR GLORIA GRIGIO G332	LOWER PANEL 4GR GRAY G332	PANNEAU INF. 4GR GRIS G332	UNTERTAFEL 4GR GRAU G332
6	75288079	PANN.CENT.1GR GLORIA GRIGIO G332	CENTRAL PANEL 1GR GRAY G332	PANNEAU CENTRAL 1GR GRIS G332	ZENTRALTAFEL 1GR GRAU G332
6	75288082	PANN.CENT.2GR GLORIA GRIGIO G332	CENTRAL PANEL 2GR GRAY G332	PANNEAU CENTRAL 2GR GRIS G332	ZENTRALTAFEL 2GR GRAU G332
6	75288085	PANN.CENT.3GR GLORIA GRIGIO G332	CENTRAL PANEL 3GR GRAY G332	PANNEAU CENTRAL 3GR GRIS G332	ZENTRALTAFEL 3GR GRAU G332
6	75288088	PANN.CENT.4GR GLORIA GRIGIO G332	CENTRAL PANEL 4GR GRAY G332	PANNEAU CENTRAL 4GR GRIS G332	ZENTRALTAFEL 4GR GRAU G332
7	75288080	PANN.SUP.1GR GLORIA GRIGIO G332	TOP PANEL 1GR GRAY G332	PANNEAU SUPERIEURE 1GR GRIS G332	OBERTAFEL 1GR GRAU G332
7	75288083	PANN.SUP.2GR GLORIA GRIGIO G332	TOP PANEL 2GR GRAY G332	PANNEAU SUPERIEURE 2GR GRIS G332	ZENTRALTAFEL 2GR GRAU G332
7	75288086	PANN.SUP.3GR GLORIA GRIGIO G332	TOP PANEL 3GR GRAY G332	PANNEAU SUPERIEURE 3GR GRAU G332	OBERTAFEL 3GR GRAU G332
7	75288089	PANN.SUP.4GR GLORIA GRIGIO G332	TOP PANEL 4GR GRAY G332	PANNEAU SUPERIEURE 4GR GRIS G332	OBERTAFEL 4GR GRAU G332
8	21162147	PLEXIGLASS SUP.1GR GLORIA	PLEXIGLASS 1GR	PLEXIGLASS 1GR	PLEXIGLASS 1GR
8	21162148	PLEXIGLASS SUP.2GR GLORIA	PLEXIGLASS 2GR	PLEXIGLASS 2GR	PLEXIGLASS 2GR
8	21162149	PLEXIGLASS SUP.3GR GLORIA	PLEXIGLASS 3GR	PLEXIGLASS 3GR	PLEXIGLASS 3GR
8	21162150	PLEXIGLASS SUP.4GR GLORIA	PLEXIGLASS 4GR	PLEXIGLASS 4GR	PLEXIGLASS 4GR
9	75288007	PROF.SUP.FERMA PLEXIGLASS 1GR GLORIA INOX	PLEXIGLASS SUPPORT 1GR S.STEEL	SUPPORT PLEXIGLASS 1GR INOX	PLEXIGLASSHALTER 1GR STAHL
9	75288011	PROF.SUP.FERMA PLEXIGLASS 2GR GLORIA INOX	PLEXIGLASS SUPPORT 2GR S.STEEL	SUPPORT PLEXIGLASS 2GR INOX	PLEXIGLASSHALTER 2GR STAHL
9	75288015	PROF.SUP.FERMA PLEXIGLASS 3GR GLORIA INOX	PLEXIGLASS SUPPORT 3GR S.STEEL	SUPPORT PLEXIGLASS 3GR INOX	PLEXIGLASSHALTER 3GR STAHL
9	75288019	PROF.SUP.FERMA PLEXIGLASS 4GR GLORIA INOX	PLEXIGLASS SUPPORT 4GR S.STEEL	SUPPORT PLEXIGLASS 4GR INOX	PLEXIGLASSHALTER 4GR STAHL
10	76100109	GRIGLIA SUPERIORE AL/1 GLORIA INOX	TOP GRATE AL/1 S.STEEL	GRILLE SUP. AL/1 INOX	OBERGITTER AL/1 STAHL
10	76100110	GRIGLIA SUPERIORE AL/2 GLORIA INOX	TOP GRATE AL/2 S.STEEL	GRILLE SUP. AL/2 INOX	OBERGITTER AL/2 STAHL
10	76100111	GRIGLIA SUPERIORE AL/3 GLORIA INOX	TOP GRATE AL/3 S.STEEL	GRILLE SUP. AL/3 INOX	OBERGITTER AL/3 STAHL
10	76100112	GRIGLIA SUPERIORE AL/4 GLORIA INOX	TOP GRATE AL/4 S.STEEL	GRILLE SUP. AL/4 INOX	OBERGITTER AL/4 STAHL
11	76100101	GRIGLIA SUPERIORE ER/1 GLORIA INOX	TOP GRATE ER/1 S.STEEL	GRILLE SUP. ER/1 INOX	OBERGITTER ER/1 STAHL
11	76100102	GRIGLIA SUPERIORE ER/2 GLORIA INOX	TOP GRATE ER/2 S.STEEL	GRILLE SUP. ER/2 INOX	OBERGITTER ER/2 STAHL
11	76100103	GRIGLIA SUPERIORE ER/3 GLORIA INOX	TOP GRATE ER/3 S.STEEL	GRILLE SUP. ER/3 INOX	OBERGITTER ER/3 STAHL
11	76100104	GRIGLIA SUPERIORE ER/4 GLORIA INOX	TOP GRATE ER/4 S.STEEL	GRILLE SUP. ER/4 INOX	OBERGITTER ER/4 STAHL
12	77607051	PROF.INT.DESTRO FIANCO GLORIA	INTERNAL STRIP RIGHT	PROFIL INT. COTE DROIT	PROFIL INNEN RECHTE
13	73130230	FIANCO DESTRO GLORIA GRIGIO G332	RIGHT SIDE PANEL GRAY G332	COTE DROIT GRIS G332	RECHTE SEITE GRAU G332
14	77498500	PROF.FIANCO DESTRO GLORIA CROMO	RIGHT SIDE STRIP CHROME	PROFILS POUR COTE DROIT CHROME	PROFIL FUR RECHTE SEITE CHROME
15	77607049	STAFFA INF.DESTRA FIANCO GLORIA	LOWER SIDE BRACKET	ETRIER INFERIEUR COTE	SEITE BUGEL UNTER
16	77691960	PROT.PULS.AEP-SAE/1 GLORIA INOX/L	PUSH BUTTON PANEL GUARD AEP-SAE/1	PROTECTION CLAVIERS AEP-SAE/1	SCHUTZ BEDIENBLENDE AEP-SAE/1
16	77691961	PROT.PULS.AEP-SAE/2 GLORIA INOX/L	PUSH BUTTON PANEL GUARD AEP-SAE/2	PROTECTION CLAVIERS AEP-SAE/2	SCHUTZ BEDIENBLENDE AEP-SAE/2
16	77691962	PROT.PULS.AEP-SAE/3 GLORIA INOX/L	PUSH BUTTON PANEL GUARD AEP-SAE/3	PROTECTION CLAVIERS AEP-SAE/3	SCHUTZ BEDIENBLENDE AEP-SAE/3
16	77691963	PROT.PULS.AEP-SAE/4 GLORIA INOX/L	PUSH BUTTON PANEL GUARD AEP-SAE/4	PROTECTION CLAVIERS AEP-SAE/4	SCHUTZ BEDIENBLENDE AEP-SAE/4
17	15029050	MANOPOLA	KNOB	POIGNEE	HANDGRIFF



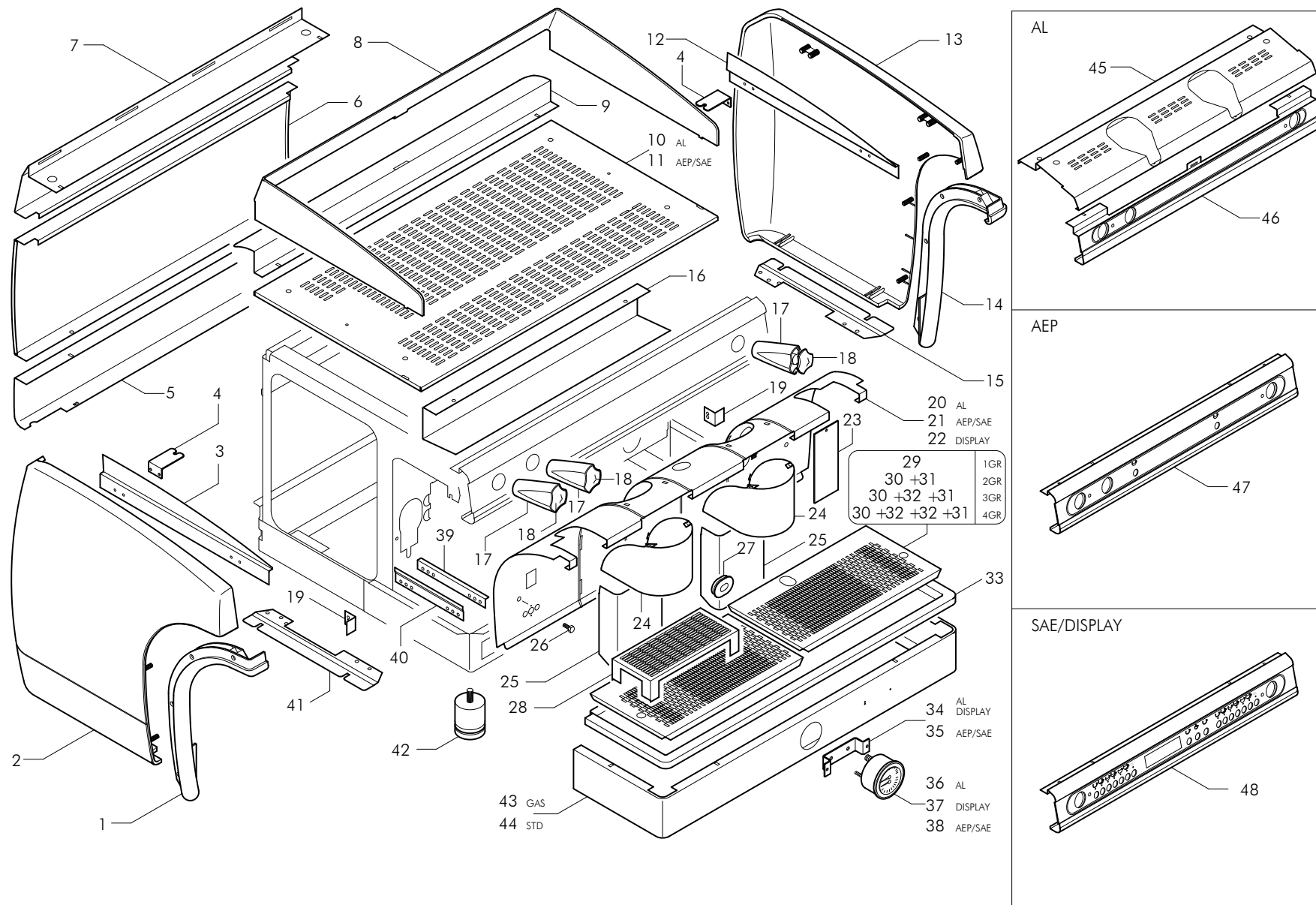
Pos	Cod.	Denominazione - IT -	Denomination - GB -	Denomination - FR -	Denomination - DE -
18	15029051	TAPPO MANOPOLA	CAP KNOB	BOUCHON POIGNEE	DECKEL HANDGRIFF
19	77607048	PROF.COPRIFORO INF.DX-SX FIANCO GLORIA	RIGHT-LEFT PROFILE SIDE	PROFIL DROIT-GAUCHE COTE	RECHT-LINKE PROFIL
20	21203	PLEXIGLASS SEGNALEVELLO GLORIA	COLOURLESS LEVEL INDICATOR 0	SIGNAL NIVEAU	FARBLOSER NIVEAUANZEIGER
21	23420	VITE TE OTTONE M6X12 NICHELATA	M6X12NICKEL-PLATED BRASS HEX.HEAD SCREW	VIS TH LAITON M6X12 NICKEELEE	SECHSKANTSCHRAUBE AUS MESSING M6X12
22	15373070	TAPPO ABS CROMATO FORO GAS	CHROMED KEY	BOUCHON CHROME COUVRE-TROU DU GAZ	CHROM TASTE
23	76149054	GRIGLIA RIALZO TAZZE	CUPS-STAND FOR RAISED GROUP	GRILLE SUPERIEURE	GITTER FUER HOHE GRUPPE
24	76153000	GRIGLIA INF.WN01 INOX LUC.456X201	LOWER GRILL 456X201 SHINY S.STEEL	GRILLE INF.INOX 456X201	STAHL-UNTERGITTER 456X201
25	76154000	GRIGLIA INF.DX WN01 IN/LUC.338.5X201	RIGHT LOWER GRILL -SHINY S.STEEL	GRILLE INF.DROIT INOX 338,5X201	STAHL-UNTER-RECHTEGITTER 338,5X201
26	76155000	GRIGLIA INF.SX WN01 IN/LUC.338.5X201	LEFT LOWER GRILL - SHINY S.STEEL	GRILLE INF.GAUCHE INOX 338,5X201	STAHL-UNTER-LINKEGITTER 338,5X201
27	76156000	GRIGLIA INF.WN01 INOX LUC. 253X201	LOWER GRILL 253X201 - SHINY S.STEEL	GRILLE INF.INOX 253X201	STAHL-UNTERGITTER 253X201
28	76095	BACINELLA 1GR INOX LUCIDO	1GR GLOSSY STAINLESS STEEL TRAY	BASSINELLE 1GR INOX BRILLANT	STAHLSCHALE 1GR
28	76096	BACINELLA 2GR INOX LUCIDO	2GR GLOSSY STAINLESS STEEL TRAY	BASSINELLE 2GR INOX BRILLANT	STAHLSCHALE 2GR
28	76097	BACINELLA 3GR INOX LUCIDO	3GR GLOSSY STAINLESS STEEL TRAY	BASSINELLE 3GR INOX BRILLANT	STAHLSCHALE 3GR
28	76098	BACINELLA 4GR INOX LUCIDO	4GR GLOSSY STAINLESS STEEL TRAY	BASSINELLE 4GR INOX BRILLANT	STAHLSCHALE 4GR
29	78150055	SUPPORTO MANOMETRO AL 1>4GR GLORIA	GAUGE SUPPORT AL 1>4GR	SUPPORT MANOMETRE AL 1>4GR	MANOMETERHALTER AL 1>4GR
30	78150054	SUPPORTO MANOMETRO ER 1>4GR GLORIA	GAUGE SUPPORT ER 1>4GR	SUPPORT MANOMETRE ER 1>4GR	MANOMETERHALTER ER 1>4GR
31	21113	MANOMETRO TONDO 3ATM A LEVA	ROUND PRESSURE GAUGE 3ATM	MANOMETRE 3ATM AL	MANOMETER 3ATM AL
32	21114	MANOMETRO TONDO 16BAR	ROUND PRESSURE GAUGE 16ATM	MANOMETRE ROND 16 ATM	MANOMETER 16 ATM
33	21112	MANOMETRO TONDO D.SCALA	PRESSURE GAUGE	MANOMETRE	MANOMETER
34	77741	GUIDA DESTRA-SINISTRA BACINELLA	R-L BASIN GUIDE FOR FRAMES	GUIDE DX-SX CUVE X CHASSIS	FÜHRUNG RECHTS-LINKS SCHALE FÜR RAH
35	77742005	DISTANZIALE GUIDA BACINELLA	SPACER GLOSSY	ENTRETOISE CUVE	DISTANZSTUCK
36	77607050	STAFFA INF.SX FIANCO GLORIA	LOWER SIDE BRACKET	ETRIER INFERIEUR COTE	SEITE BUGEL UNTER
37	15318	PIEDINO REGOLABILE INOX/SAT H55/69	ADJUSTABLE FOOT H55/69	PIED REGLABLE H55/69	REGELBARER FUSS H55/69
38	72699115	COPRIGRUPPO AL/1 GLORIA INOX LUC.	S.STEEL GROUP-COVER AL/1	COUVRE-GROUPE INOX AL/1	STAHL/GRUPPENDECKEL AL/1
38	72699116	COPRIGRUPPO AL/2 GLORIA INOX LUC.	S.STEEL GROUP-COVER AL/2	COUVRE-GROUPE INOX AL/2	STAHL/GRUPPENDECKEL AL/2
38	72699117	COPRIGRUPPO AL/3 GLORIA INOX LUC.	S.STEEL GROUP-COVER AL/3	COUVRE-GROUPE INOX AL/3	STAHL/GRUPPENDECKEL AL/3
38	72699118	COPRIGRUPPO AL/3 GLORIA INOX LUC.	S.STEEL GROUP-COVER AL/4	COUVRE-GROUPE INOX AL/4	STAHL/GRUPPENDECKEL AL/4
39	83700060R	KIT FRONTONE AL/1 GLORIA INOX	ASSEMBLY FRONT PANEL AL/1 S.STEEL	ENSEMBLE PANNEAU FRONTAL AL/1 INOX	STIRNTAFEL AL/1 STAHL GRUPPE
39	83700061R	KIT FRONTONE AL/2 GLORIA INOX	ASSEMBLY FRONT PANEL AL/2 S.STEEL	ENSEMBLE PANNEAU FRONTAL AL/2 INOX	STIRNTAFEL AL/2 STAHL GRUPPE
39	83700062R	KIT FRONTONE AL/3 GLORIA INOX	ASSEMBLY FRONT PANEL AL/3 S.STEEL	ENSEMBLE PANNEAU FRONTAL AL/3 INOX	STIRNTAFEL AL/3 STAHL GRUPPE
39	83700063R	KIT FRONTONE AL/4 GLORIA INOX	ASSEMBLY FRONT PANEL AL/4 S.STEEL	ENSEMBLE PANNEAU FRONTAL AL/4 INOX	STIRNTAFEL AL/4 STAHL GRUPPE
40	83700040R	KIT FRONTONE AEP/1 GLORIA GRIGIO	ASSEMBLY FRONT PANEL AEP/1 GRAY	ENSEMBLE PANNEAU FRONTAL AEP/1 GRIS	STIRNTAFEL AEP/1 GRAU GRUPPE
40	83700042R	KIT FRONTONE AEP/2 GLORIA GRIGIO	ASSEMBLY FRONT PANEL AEP/2 GRAY	ENSEMBLE PANNEAU FRONTAL AEP/2 GRIS	STIRNTAFEL AEP/2 GRAU GRUPPE
40	83700044R	KIT FRONTONE AEP/3 GLORIA GRIGIO	ASSEMBLY FRONT PANEL AEP/3 GRAY	ENSEMBLE PANNEAU FRONTAL AEP/3 GRIS	STIRNTAFEL AEP/3 GRAU GRUPPE
40	83700046R	KIT FRONTONE AEP/4 GLORIA GRIGIO	ASSEMBLY FRONT PANEL AEP/4 GRAY	ENSEMBLE PANNEAU FRONTAL AEP/4 GRIS	STIRNTAFEL AEP/4 GRAU GRUPPE
41	83700041R	KIT FRONTONE SAE/1 GLORIA GRIGIO	ASSEMBLY FRONT PANEL SAE/1 GRAY	ENSEMBLE PANNEAU FRONTAL SAE/1 GRIS	STIRNTAFEL SAE/1 GRAU GRUPPE
41	83700043R	KIT FRONTONE SAE/2 GLORIA GRIGIO	ASSEMBLY FRONT PANEL SAE/2 GRAY	ENSEMBLE PANNEAU FRONTAL SAE/2 GRIS	STIRNTAFEL SAE/2 GLORIA GRAU
41	83700045R	KIT FRONTONE SAE/3 GLORIA GRIGIO	ASSEMBLY FRONT PANEL SAE/3 GRAY	ENSEMBLE PANNEAU FRONTAL SAE/3 GRIS	STIRNTAFEL SAE/3 GLORIA GRAU
41	83700047R	KIT FRONTONE SAE/4 GLORIA GRIGIO	ASSEMBLY FRONT PANEL SAE/4 GRAY	ENSEMBLE PANNEAU FRONTAL SAE/4 GRIS	STIRNTAFEL SAE/4 GLORIA GRAU
41	83700058R	KIT FRONTONE SAE/1+DISPLAY GLORIA GRIGIO	ASSEMBLY FRONT PANEL SAE/1+DISPLAY GRAY	ENSEMBLE PANNEAU FRONTAL SAE/1+AFFICHEUR	STIRNTAFEL SAE/1+DISPLAY GRAU GRUPPE
41	83700059R	KIT FRONTONE SAE/1+THE GLORIA GRIGIO	ASSEMBLY FRONT PANEL SAE/1+THE GRAY	ENSEMBLE PANNEAU FRONTAL SAE/1+THE GRIS	STIRNTAFEL SAE/1+TEE GRAU GRUPPE



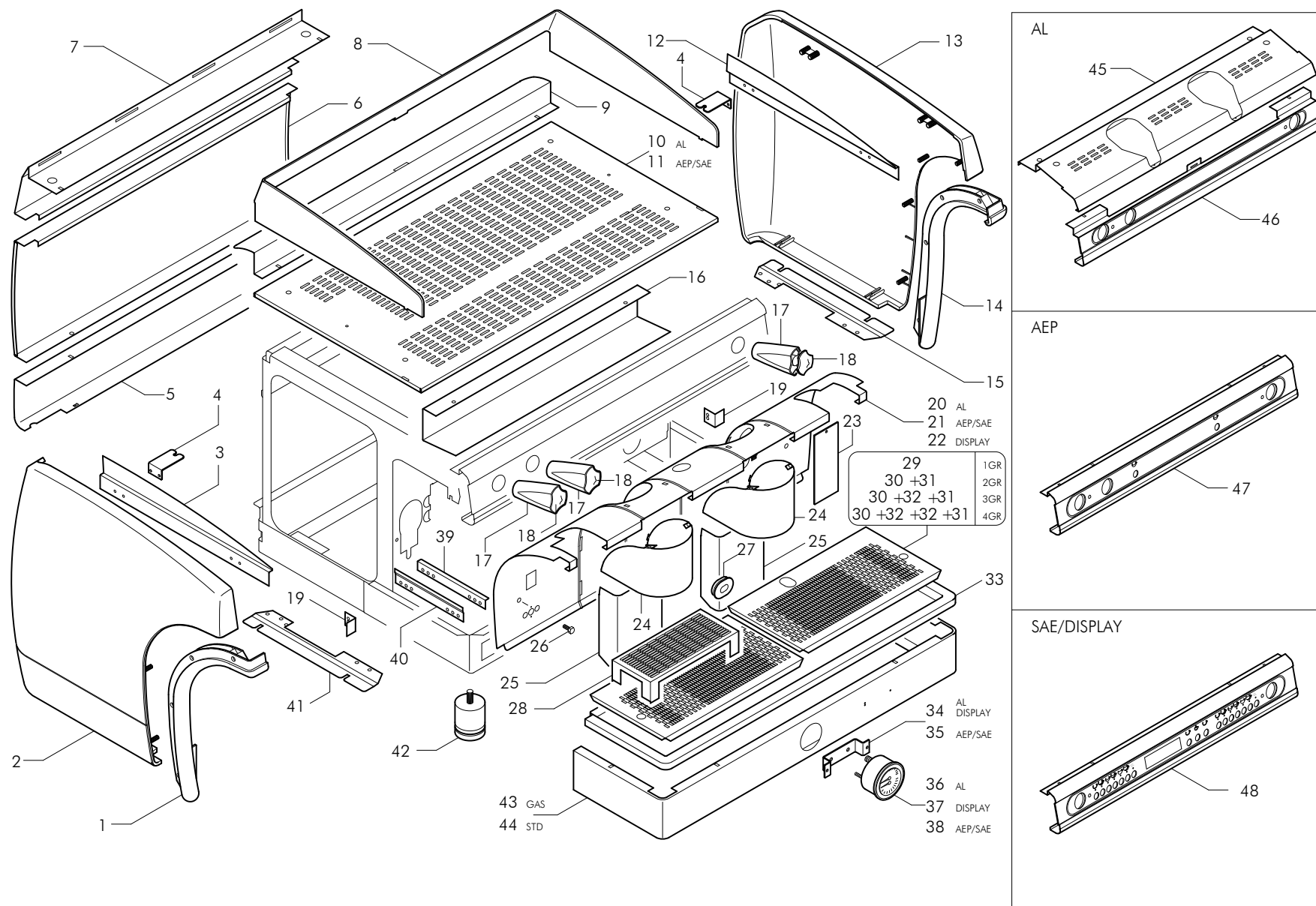
Pos	Cod.	Denominazione - IT -	Denomination - GB -	Denomination - FR -	Denomination - DE -
1	77498501	PROF.FIANCO SX GLORIA CROMO	LEFT SIDE STRIP CHROME	PROFILS POUR COTE GAUCHE CHROME	PROFIL FUR LINKE SEITE GLORIA CHROM
2	73130229	FIANCO SINISTRO GLORIA CROMATO	LEFT SIDE PANEL GLORIA CHROMIUM	COTE GAUCHE GLORIA CHROME	LINKE SEITE GLORIA CHROM
3	77607052	PROF.INT.SINISTRO FIANCO	INTERNAL STRIP LEFT	PROFIL INT. GAUCHE	PROFIL INNEN LINKE
4	78167010	STAFFA SUP.DX-SX SUPPORTO FIANCO	RH-LH PANEL SUPPORT	SUPPORT DR-GA COTE	RECHTS/LINKS HALTER
5	75288066	PANN.INF.1GR GLORIA INOX	LOWER PANEL 1GR S.STEEL	PANNEAU INF. 1GR INOX	UNTERTAFEL 1GR STAHL
5	75288069	PANN.INF.2GR GLORIA INOX	LOWER PANEL 2GR S.STEEL	PANNEAU INF. 2GR INOX	UNTERTAFEL 2GR GLORIA STAHL
5	75288072	PANN.INF.3GR GLORIA INOX	LOWER PANEL 3GR S.STEEL	PANNEAU INF. 3GR INOX	UNTERTAFEL 3GR STAHL
5	75288075	PANN.INF.4GR GLORIA INOX	LOWER PANEL 4GR S.STEEL	PANNEAU INF. 4GR INOX	UNTERTAFEL 4GR STAHL
6	75287996	PANN.CENT.1GR GLORIA INOX	CENTRAL PANEL 1GR INOX	PANNEAU CENTRAL 1GR INOX	ZENTRALTAFEL 1GR STAHL
6	75287997	PANN.CENT.2GR GLORIA INOX	CENTRAL PANEL 2GR INOX	PANNEAU CENTRAL 2GR INOX	ZENTRALTAFEL 2GR STAHL
6	75287998	PANN.CENT.3GR GLORIA INOX	CENTRAL PANEL 3GR INOX	PANNEAU CENTRAL 3GR INOX	ZENTRALTAFEL 3GR STAHL
6	75287999	PANN.CENT.4GR GLORIA INOX	CENTRAL PANEL 4GR INOX	PANNEAU CENTRAL 4GR INOX	ZENTRALTAFEL 4GR STAHL
7	75288068	PANN.POST.SUP.1GR GLORIA INOX	TOP PANEL 1GR S.STEEL	PANNEAU SUPERIEURE 1GR INOX	OBERTAFEL 1GR STAHL
7	75288071	PANN.POST.SUP.2GR GLORIA INOX	TOP PANEL 2GR S.STEEL	PANNEAU SUPERIEURE 2GR INOX	OBERTAFEL 2GR STAHL
7	75288074	PANN.POST.SUP.3GR GLORIA INOX	TOP PANEL 3GR S.STEEL	PANNEAU SUPERIEURE 3GR INOX	OBERTAFEL 3GR STAHL
7	75288077	PANN.POST.SUP.4GR GLORIA INOX	TOP PANEL 4GR S.STEEL	PANNEAU SUPERIEURE 4GR INOX	OBERTAFEL 4GR STAHL
8	21162147	PLEXIGLASS SUP.1GR GLORIA	PLEXIGLASS 1GR	PLEXIGLASS 1GR	PLEXIGLASS 1GR
8	21162148	PLEXIGLASS SUP.2GR GLORIA	PLEXIGLASS 2GR	PLEXIGLASS 2GR	PLEXIGLASS 2GR
8	21162149	PLEXIGLASS SUP.3GR GLORIA	PLEXIGLASS 3GR	PLEXIGLASS 3GR	PLEXIGLASS 3GR
8	21162150	PLEXIGLASS SUP.4GR GLORIA	PLEXIGLASS 4GR	PLEXIGLASS 4GR	PLEXIGLASS 4GR
9	75288007	PROF.SUP.FERMA PLEXIGLASS 1GR GLORIA INOX	PLEXIGLASS SUPPORT 1GR S.STEEL	SUPPORT PLEXIGLASS 1GR INOX	PLEXIGLASSHALTER 1GR STAHL
9	75288011	PROF.SUP.FERMA PLEXIGLASS 2GR GLORIA INOX	PLEXIGLASS SUPPORT 2GR S.STEEL	SUPPORT PLEXIGLASS 2GR INOX	PLEXIGLASSHALTER 2GR STAHL
9	75288015	PROF.SUP.FERMA PLEXIGLASS 3GR GLORIA INOX	PLEXIGLASS SUPPORT 3GR S.STEEL	SUPPORT PLEXIGLASS 3GR INOX	PLEXIGLASSHALTER 3GR STAHL
9	75288019	PROF.SUP.FERMA PLEXIGLASS 4GR GLORIA INOX	PLEXIGLASS SUPPORT 4GR S.STEEL	SUPPORT PLEXIGLASS 4GR INOX	PLEXIGLASSHALTER 4GR STAHL
10	76100109	GRIGLIA SUPERIORE AL/1 GLORIA INOX	TOP GRATE AL/1 S.STEEL	GRILLE SUP. AL/1 INOX	OBERGITTER AL/1 STAHL
10	76100110	GRIGLIA SUPERIORE AL/2 GLORIA INOX	TOP GRATE AL/2 S.STEEL	GRILLE SUP. AL/2 INOX	OBERGITTER AL/2 STAHL
10	76100111	GRIGLIA SUPERIORE AL/3 GLORIA INOX	TOP GRATE AL/3 S.STEEL	GRILLE SUP. AL/3 INOX	OBERGITTER AL/3 STAHL
10	76100112	GRIGLIA SUPERIORE AL/4 GLORIA INOX	TOP GRATE AL/4 S.STEEL	GRILLE SUP. AL/4 INOX	OBERGITTER AL/4 STAHL
11	76100101	GRIGLIA SUPERIORE ER/1 GLORIA INOX	TOP GRATE ER/1 S.STEEL	GRILLE SUP. ER/1 INOX	OBERGITTER ER/1 STAHL
11	76100102	GRIGLIA SUPERIORE ER/2 GLORIA INOX	TOP GRATE ER/2 S.STEEL	GRILLE SUP. ER/2 INOX	OBERGITTER ER/2 STAHL
11	76100103	GRIGLIA SUPERIORE ER/3 GLORIA INOX	TOP GRATE ER/3 S.STEEL	GRILLE SUP. ER/3 INOX	OBERGITTER ER/3 STAHL
11	76100104	GRIGLIA SUPERIORE ER/4 GLORIA INOX	TOP GRATE ER/4 S.STEEL	GRILLE SUP. ER/4 INOX	OBERGITTER ER/4 STAHL
12	77607051	PROF.INT.DESTRO FIANCO GLORIA	INTERNAL STRIP RIGHT	PROFIL INT. COTE DROIT	PROFIL INNEN RECHTE
13	73130228	FIANCO DESTRO GLORIA CROMATO	RIGHT SIDE PANEL GLORIA CHROMIUM	COTE DROIT GLORIA CHROM	RECHTE SEITE GLORIA CHROM
14	77498500	PROF.FIANCO DESTRO GLORIA CROMO	RIGHT SIDE STRIP CHROME	PROFILS POUR COTE DROIT CHROME	PROFIL FUR RECHTE SEITE CHROME
15	77607049	STAFFA INF.DESTRA FIANCO GLORIA	LOWER SIDE BRACKET	ETRIER INFERIEUR COTE	SEITE BUGEL UNTER
16	77691960	PROT.PULS.AEP-SAE/1 GLORIA INOX/L	PUSH BUTTON PANEL GUARD AEP-SAE/1	PROTECTION CLAVIERS AEP-SAE/1	SCHUTZ BEDIENBLENDE AEP-SAE/1
16	77691961	PROT.PULS.AEP-SAE/2 GLORIA INOX/L	PUSH BUTTON PANEL GUARD AEP-SAE/2	PROTECTION CLAVIERS AEP-SAE/2	SCHUTZ BEDIENBLENDE AEP-SAE/2
16	77691962	PROT.PULS.AEP-SAE/3 GLORIA INOX/L	PUSH BUTTON PANEL GUARD AEP-SAE/3	PROTECTION CLAVIERS AEP-SAE/3	SCHUTZ BEDIENBLENDE AEP-SAE/3
16	77691963	PROT.PULS.AEP-SAE/4 GLORIA INOX/L	PUSH BUTTON PANEL GUARD AEP-SAE/4	PROTECTION CLAVIERS AEP-SAE/4	SCHUTZ BEDIENBLENDE AEP-SAE/4
17	15029050	MANOPOLA	KNOB	POIGNEE	HANDGRIFF



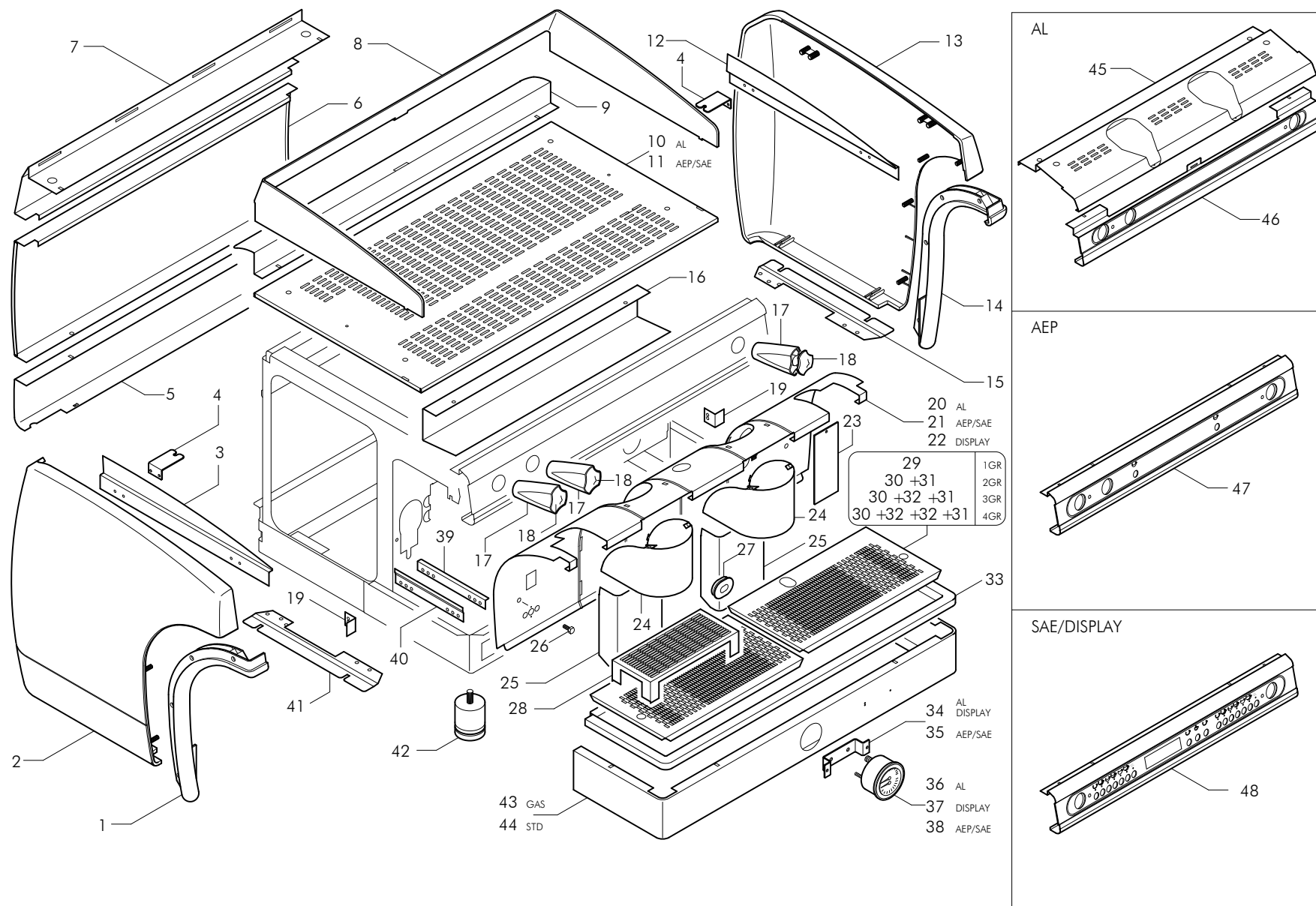
Pos	Cod.	Denominazione - IT -	Denomination - GB -	Denomination - FR -	Denomination - DE -
18	15029051	TAPPO MANOPOLA	CAP KNOB	BOUCHON POIGNEE	DECKEL HANDGRIFF
19	77607048	PROF.COPRIFORO INF.DX-SX FIANCO GLORIA	RIGHT-LEFT PROFILE SIDE	PROFIL DROIT-GAUCHE COTE	RECHT-LINKE PROFIL
20	21203	PLEXIGLASS SEGNALEVELLO GLORIA	COLOURLESS LEVEL INDICATOR 0	SIGNAL NIVEAU	FARBLOSER NIVEAUANZEIGER
21	23420	VITE TE OTTONE M6X12 NICHELATA	M6X12NICKEL-PLATED BRASS HEX.HEAD SCREW	VIS TH LAITON M6X12 NICKEELEE	SECHSKANTSCHRAUBE AUS MESSING M6X12
22	15373070	TAPPO ABS CROMATO FORO GAS	CHROMED KEY	BOUCHON CHROME COUVRE-TROU DU GAZ	CHROM TASTE
23	76149054	GRIGLIA RIALZO TAZZE	CUPS-STAND FOR RAISED GROUP	GRILLE SUPERIEURE	GITTER FUER HOHE GRUPPE
24	76153000	GRIGLIA INF.WN01 INOX LUC.456X201	LOWER GRILL 456X201 SHINY S.STEEL	GRILLE INF.INOX 456X201	STAHL-UNTERGITTER 456X201
25	76154000	GRIGLIA INF.DX WN01 IN/LUC.338.5X201	RIGHT LOWER GRILL -SHINY S.STEEL	GRILLE INF.DROIT INOX 338,5X201	STAHL-UNTER-RECHTEGITTER 338,5X201
26	76155000	GRIGLIA INF.SX WN01 IN/LUC.338.5X201	LEFT LOWER GRILL - SHINY S.STEEL	GRILLE INF.GAUCHE INOX 338,5X201	STAHL-UNTER-LINKEGITTER 338,5X201
27	76156000	GRIGLIA INF.WN01 INOX LUC. 253X201	LOWER GRILL 253X201 - SHINY S.STEEL	GRILLE INF.INOX 253X201	STAHL-UNTERGITTER 253X201
28	76095	BACINELLA 1GR INOX LUCIDO	1GR GLOSSY STAINLESS STEEL TRAY	BASSINELLE 1GR INOX BRILLANT	STAHLSCHALE 1GR
28	76096	BACINELLA 2GR INOX LUCIDO	2GR GLOSSY STAINLESS STEEL TRAY	BASSINELLE 2GR INOX BRILLANT	STAHLSCHALE 2GR
28	76097	BACINELLA 3GR INOX LUCIDO	3GR GLOSSY STAINLESS STEEL TRAY	BASSINELLE 3GR INOX BRILLANT	STAHLSCHALE 3GR
28	76098	BACINELLA 4GR INOX LUCIDO	4GR GLOSSY STAINLESS STEEL TRAY	BASSINELLE 4GR INOX BRILLANT	STAHLSCHALE 4GR
29	78150055	SUPPORTO MANOMETRO AL 1>4GR GLORIA	GAUGE SUPPORT AL 1>4GR	SUPPORT MANOMETRE AL 1>4GR	MANOMETERHALTER AL 1>4GR
30	78150054	SUPPORTO MANOMETRO ER 1>4GR GLORIA	GAUGE SUPPORT ER 1>4GR	SUPPORT MANOMETRE ER 1>4GR	MANOMETERHALTER ER 1>4GR
31	21113	MANOMETRO TONDO 3ATM A LEVA	ROUND PRESSURE GAUGE 3ATM	MANOMETRE 3ATM AL	MANOMETER 3ATM AL
32	21114	MANOMETRO TONDO 16BAR	ROUND PRESSURE GAUGE 16ATM	MANOMETRE ROND 16 ATM	MANOMETER 16 ATM
33	21112	MANOMETRO TONDO D.SCALA	PRESSURE GAUGE	MANOMETRE	MANOMETER
34	77741	GUIDA DESTRA-SINISTRA BACINELLA	R-L BASIN GUIDE FOR FRAMES	GUIDE DX-SX CUVE X CHASSIS	FÜHRUNG RECHTS-LINKS SCHALE FÜR RAH
35	77742005	DISTANZIALE GUIDA BACINELLA	SPACER GLOSSY	ENTRETOISE CUVE	DISTANZSTUCK
36	77607050	STAFFA INF.SX FIANCO GLORIA	LOWER SIDE BRACKET	ETRIER INFERIEUR COTE	SEITE BUGEL UNTER
37	15318	PIEDINO REGOLABILE INOX/SAT H55/69	ADJUSTABLE FOOT H55/69	PIED REGLABLE H55/69	REGELBARER FUSS H55/69
38	72699115	COPRIGRUPPO AL/1 GLORIA INOX LUC.	S.STEEL GROUP-COVER AL/1	COUVRE-GROUPE INOX AL/1	STAHL/GRUPPENDECKEL AL/1
38	72699116	COPRIGRUPPO AL/2 GLORIA INOX LUC.	S.STEEL GROUP-COVER AL/2	COUVRE-GROUPE INOX AL/2	STAHL/GRUPPENDECKEL AL/2
38	72699117	COPRIGRUPPO AL/3 GLORIA INOX LUC.	S.STEEL GROUP-COVER AL/3	COUVRE-GROUPE INOX AL/3	STAHL/GRUPPENDECKEL AL/3
38	72699118	COPRIGRUPPO AL/3 GLORIA INOX LUC.	S.STEEL GROUP-COVER AL/4	COUVRE-GROUPE INOX AL/4	STAHL/GRUPPENDECKEL AL/4
39	83700060R	KIT FRONTONE AL/1 GLORIA INOX	ASSEMBLY FRONT PANEL AL/1 S.STEEL	ENSEMBLE PANNEAU FRONTAL AL/1 INOX	STIRNTAFEL AL/1 STAHL GRUPPE
39	83700061R	KIT FRONTONE AL/2 GLORIA INOX	ASSEMBLY FRONT PANEL AL/2 S.STEEL	ENSEMBLE PANNEAU FRONTAL AL/2 INOX	STIRNTAFEL AL/2 STAHL GRUPPE
39	83700062R	KIT FRONTONE AL/3 GLORIA INOX	ASSEMBLY FRONT PANEL AL/3 S.STEEL	ENSEMBLE PANNEAU FRONTAL AL/3 INOX	STIRNTAFEL AL/3 STAHL GRUPPE
39	83700063R	KIT FRONTONE AL/4 GLORIA INOX	ASSEMBLY FRONT PANEL AL/4 S.STEEL	ENSEMBLE PANNEAU FRONTAL AL/4 INOX	STIRNTAFEL AL/4 STAHL GRUPPE
40	83700032R	KIT FRONTONE AEP/1 GLORIA INOX	ASSEMBLY FRONT PANEL AEP/1 S.STEEL	ENSEMBLE PANNEAU FRONTAL AEP/1 INOX	STIRNTAFEL AEP/1 STAHL GRUPPE
40	83700034R	KIT FRONTONE AEP/2 GLORIA INOX	ASSEMBLY FRONT PANEL AEP/2 S.STEEL	ENSEMBLE PANNEAU FRONTAL AEP/2 INOX	STIRNTAFEL AEP/2 STAHL GRUPPE
40	83700036R	KIT FRONTONE AEP/3 GLORIA INOX	ASSEMBLY FRONT PANEL AEP/3 S.STEEL	ENSEMBLE PANNEAU FRONTAL AEP/3 INOX	STIRNTAFEL AEP/3 STAHL GRUPPE
40	83700038R	KIT FRONTONE AEP/4 GLORIA INOX	ASSEMBLY FRONT PANEL AEP/4 S.STEEL	ENSEMBLE PANNEAU FRONTAL AEP/4 INOX	STIRNTAFEL AEP/4 STAHL GRUPPE
41	83700033R	KIT FRONTONE SAE/1 GLORIA INOX/LUC	ASSEMBLY FRONT PANEL SAE/1 S.STEEL	ENSEMBLE PANNEAU FRONTAL SAE/1 INOX	STIRNTAFEL SAE/1 STAHL GRUPPE
41	83700035R	KIT FRONTONE SAE/2 GLORIA INOX	ASSEMBLY FRONT PANEL SAE/2 S.STEEL	ENSEMBLE PANNEAU FRONTAL SAE/2 INOX	STIRNTAFEL SAE/2 STAHL GRUPPE
41	83700037R	KIT FRONTONE SAE/3 GLORIA INOX	ASSEMBLY FRONT PANEL SAE/3 S.STEEL	ENSEMBLE PANNEAU FRONTAL SAE/3 INOX	STIRNTAFEL SAE/3 STAHL GRUPPE
41	83700039R	KIT FRONTONE SAE/4 GLORIA INOX	ASSEMBLY FRONT PANEL SAE/4 S.STEEL	ENSEMBLE PANNEAU FRONTAL SAE/4 INOX	STIRNTAFEL SAE/4 STAHL GRUPPE
41	83700056R	KIT FRONTONE SAE/1+DISPLAY GLORIA INOX	ASSEMBLY FRONT PANEL SAE/1+DISPLAY INOX	ENSEMBLE PANNEAU FRONTAL SAE/1+AFFICHEUR	STIRNTAFEL SAE/1+DISPLAY INOX GRUPPE
41	83700057R	KIT FRONTONE SAE/1+THE GLORIA INOX	ASSEMBLY FRONT PANEL SAE/1+THE INOX	ENSEMBLE PANNEAU FRONTAL SAE/1+THE INOX	STIRNTAFEL SAE/1+TEE INOX GRUPPE



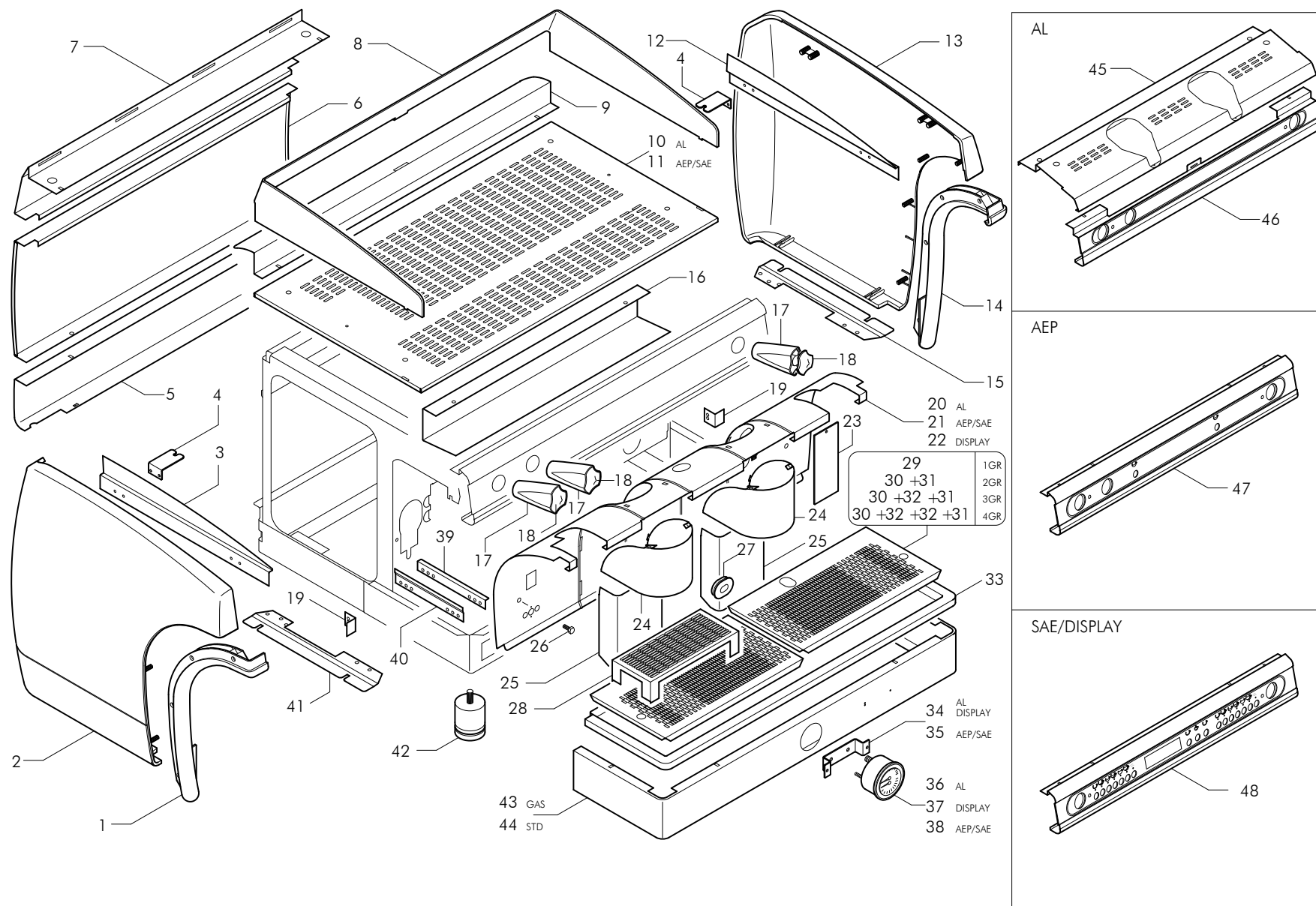
Pos	Cod.	Denominazione - IT -	Denomination - GB -	Denomination - FR -	Denomination - DE -
1	77498501	PROF.FIANCO SX GLORIA CROMO	LEFT SIDE STRIP CHROME	PROFILS POUR COTE GAUCHE CHROME	PROFIL FUR LINKE SEITE GLORIA CHROM
2	73130223	FIANCO SINISTRO GLORIA RAL3012+BRILL	LEFT SIDE PANEL PINK	COTE GAUCHE ROSE	LINKE SEITE ROSA
3	77607052	PROF.INT.SINISTRO FIANCO	INTERNAL STRIP LEFT	PROFIL INT. GAUCHE	PROFIL INNEN LINKE
4	78167010	STAFFA SUP.DX-SX SUPPORTO FIANCO	RH-LH PANEL SUPPORT	SUPPORT DR-GA COTE	RECHTS/LINKS HALTER
5	75288020	PANN.INF.1GR GLORIA ROSA RAL3012+BRILL	LOWER PANEL 1GR PINK	PANNEAU INF. 1GR ROSE	UNTERTAFEL 1GR ROSA
5	75288024	PANN.INF.2GR GLORIA ROSA RAL3012+BRILL	LOWER PANEL 2GR PINK	PANNEAU INF. 2GR ROSE	UNTERTAFEL 2GR ROSA
5	75288028	PANN.INF.3GR GLORIA ROSA RAL3012+BRILL	LOWER PANEL 3GR PINK	PANNEAU INF. 3GR ROSE	UNTERTAFEL 3GR ROSA
5	75288032	PANN.INF.4GR GLORIA ROSA RAL3012+BRILL	LOWER PANEL 4GR PINK	PANNEAU INF. 4GR ROSE	UNTERTAFEL 4GR ROSA
6	75288021	PANN.CENT.1GR GLORIA ROSA RAL3012+BRILL	CENTRAL PANEL 1GR PINK	PANNEAU CENTRAL 1GR ROSE	ZENTRALTAFEL 1GR ROSA
6	75288025	PANN.CENT.2GR GLORIA ROSA RAL3012+BRILL	CENTRAL PANEL 2GR PINK	PANNEAU CENTRAL 2GR ROSE	ZENTRALTAFEL 2GR ROSA
6	75288029	PANN.CENT.3GR GLORIA ROSA RAL3012+BRILL	CENTRAL PANEL 3GR PINK	PANNEAU CENTRAL 3GR ROSE	ZENTRALPANEL 3GR ROSA
6	75288033	PANN.CENT.4GR GLORIA ROSA RAL3012+BRILL	CENTRAL PANEL 4GR PINK	PANNEAU CENTRAL 4GR ROSE	ZENTRALTAFEL 4GR ROSA
7	75288022	PANN.SUP.1GR GLORIA ROSA RAL3012+BRILL	TOP PANEL 1GR PINK	PANNEAU SUPERIEURE 1GR ROSE	OBERTAFEL 1GR ROSA
7	75288026	PANN.SUP.2GR GLORIA ROSA RAL3012+BRILL	TOP PANEL 2GR PINK	PANNEAU SUPERIEURE 2GR ROSE	OBERTAFEL 2GR ROSA
7	75288030	PANN.SUP.3GR GLORIA ROSA RAL3012+BRILL	TOP PANEL 3GR PINK	PANNEAU SUPERIEURE 3GR ROSE	OBERTAFEL 3GR ROSA
7	75288034	PANN.SUP.4GR GLORIA ROSA RAL3012+BRILL	TOP PANEL 4GR PINK	PANNEAU SUPERIEURE 4GR ROSE	OBERTAFEL 4GR ROSA
8	21162147	PLEXIGLASS SUP.1GR GLORIA	PLEXIGLASS 1GR	PLEXIGLASS 1GR	PLEXIGLASS 1GR
8	21162148	PLEXIGLASS SUP.2GR GLORIA	PLEXIGLASS 2GR	PLEXIGLASS 2GR	PLEXIGLASS 2GR
8	21162149	PLEXIGLASS SUP.3GR GLORIA	PLEXIGLASS 3GR	PLEXIGLASS 3GR	PLEXIGLASS 3GR
8	21162150	PLEXIGLASS SUP.4GR GLORIA	PLEXIGLASS 4GR	PLEXIGLASS 4GR	PLEXIGLASS 4GR
9	75288007	PROF.SUP.FERMA PLEXIGLASS 1GR GLORIA INOX	PLEXIGLASS SUPPORT 1GR S.STEEL	SUPPORT PLEXIGLASS 1GR INOX	PLEXIGLASSHALTER 1GR STAHL
9	75288011	PROF.SUP.FERMA PLEXIGLASS 2GR GLORIA INOX	PLEXIGLASS SUPPORT 2GR S.STEEL	SUPPORT PLEXIGLASS 2GR INOX	PLEXIGLASSHALTER 2GR STAHL
9	75288015	PROF.SUP.FERMA PLEXIGLASS 3GR GLORIA INOX	PLEXIGLASS SUPPORT 3GR S.STEEL	SUPPORT PLEXIGLASS 3GR INOX	PLEXIGLASSHALTER 3GR STAHL
9	75288019	PROF.SUP.FERMA PLEXIGLASS 4GR GLORIA INOX	PLEXIGLASS SUPPORT 4GR S.STEEL	SUPPORT PLEXIGLASS 4GR INOX	PLEXIGLASSHALTER 4GR STAHL
10	76100109	GRIGLIA SUPERIORE AL/1 GLORIA INOX	TOP GRATE AL/1 S.STEEL	GRILLE SUP. AL/1 INOX	OBERGITTER AL/1 STAHL
10	76100110	GRIGLIA SUPERIORE AL/2 GLORIA INOX	TOP GRATE AL/2 S.STEEL	GRILLE SUP. AL/2 INOX	OBERGITTER AL/2 STAHL
10	76100111	GRIGLIA SUPERIORE AL/3 GLORIA INOX	TOP GRATE AL/3 S.STEEL	GRILLE SUP. AL/3 INOX	OBERGITTER AL/3 STAHL
10	76100112	GRIGLIA SUPERIORE AL/4 GLORIA INOX	TOP GRATE AL/4 S.STEEL	GRILLE SUP. AL/4 INOX	OBERGITTER AL/4 STAHL
11	76100101	GRIGLIA SUPERIORE ER/1 GLORIA INOX	TOP GRATE ER/1 S.STEEL	GRILLE SUP. ER/1 INOX	OBERGITTER ER/1 STAHL
11	76100102	GRIGLIA SUPERIORE ER/2 GLORIA INOX	TOP GRATE ER/2 S.STEEL	GRILLE SUP. ER/2 INOX	OBERGITTER ER/2 STAHL
11	76100103	GRIGLIA SUPERIORE ER/3 GLORIA INOX	TOP GRATE ER/3 S.STEEL	GRILLE SUP. ER/3 INOX	OBERGITTER ER/3 STAHL
11	76100104	GRIGLIA SUPERIORE ER/4 GLORIA INOX	TOP GRATE ER/4 S.STEEL	GRILLE SUP. ER/4 INOX	OBERGITTER ER/4 STAHL
12	77607051	PROF.INT.DESTRO FIANCO GLORIA	INTERNAL STRIP RIGHT	PROFIL INT. COTE DROIT	PROFIL INNEN RECHTE
13	73130222	FIANCO DESTRO GLORIA ROSA RAL3012+BRILL	RIGHT SIDE PANEL PINK	COTE DROIT ROSE	RECHTE SEITE ROSA
14	77498500	PROF.FIANCO DESTRO GLORIA CROMO	RIGHT SIDE STRIP CHROME	PROFILS POUR COTE DROIT CHROME	PROFIL FUR RECHTE SEITE CHROME
15	77607049	STAFFA INF.DESTRA FIANCO GLORIA	LOWER SIDE BRACKET	ETRIER INFERIEUR COTE	SEITE BUGEL UNTER
16	77691960	PROT.PULS.AEP-SAE/1 GLORIA INOX/L	PUSH BUTTON PANEL GUARD AEP-SAE/1	PROTECTION CLAVIERS AEP-SAE/1	SCHUTZ BEDIENBLLENDE AEP-SAE/1
16	77691961	PROT.PULS.AEP-SAE/2 GLORIA INOX/L	PUSH BUTTON PANEL GUARD AEP-SAE/2	PROTECTION CLAVIERS AEP-SAE/2	SCHUTZ BEDIENBLLENDE AEP-SAE/2
16	77691962	PROT.PULS.AEP-SAE/3 GLORIA INOX/L	PUSH BUTTON PANEL GUARD AEP-SAE/3	PROTECTION CLAVIERS AEP-SAE/3	SCHUTZ BEDIENBLLENDE AEP-SAE/3
16	77691963	PROT.PULS.AEP-SAE/4 GLORIA INOX/L	PUSH BUTTON PANEL GUARD AEP-SAE/4	PROTECTION CLAVIERS AEP-SAE/4	SCHUTZ BEDIENBLLENDE AEP-SAE/4



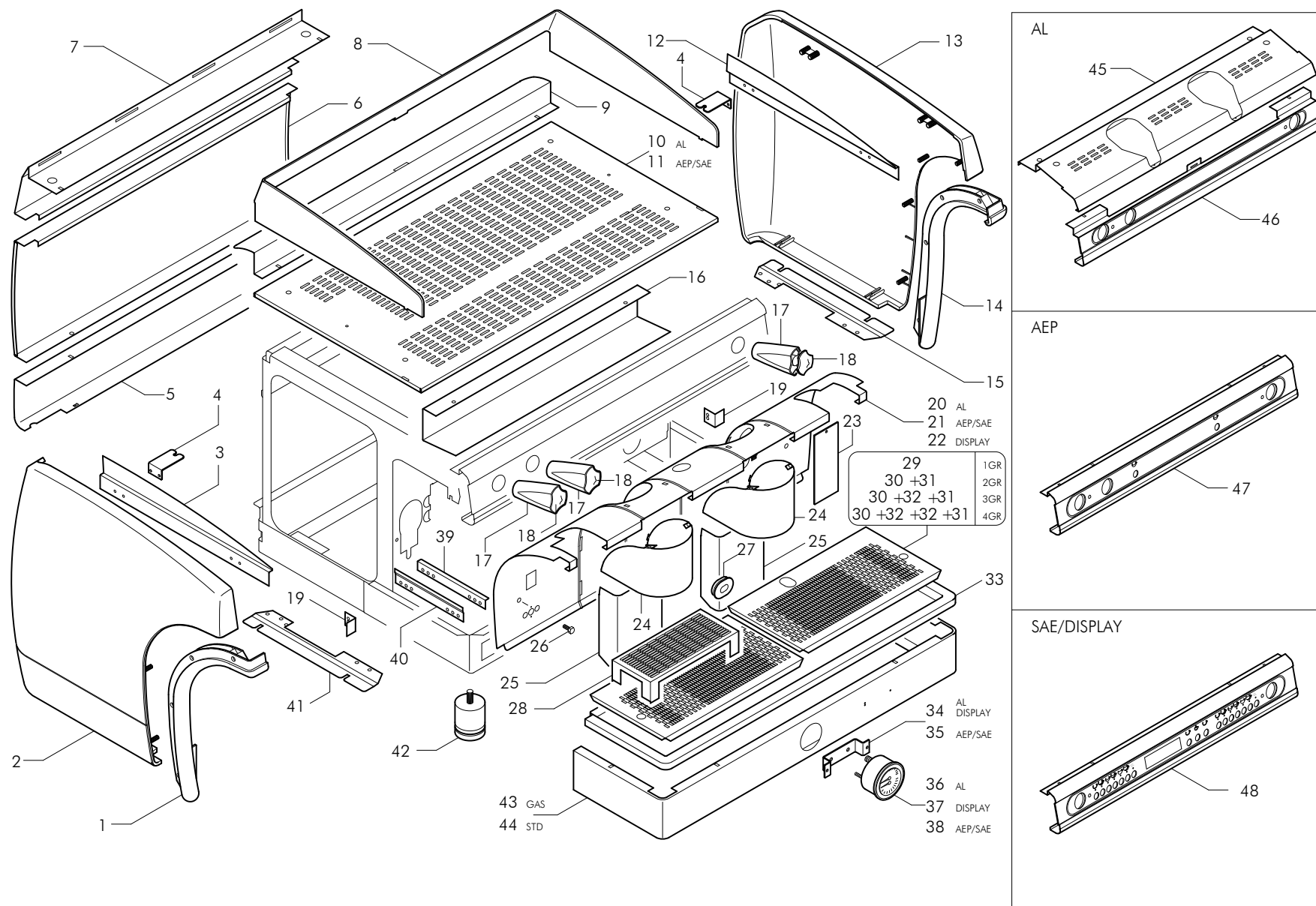
Pos	Cod.	Denominazione - IT -	Denomination - GB -	Denomination - FR -	Denomination - DE -
17	15029050	MANOPOLA	KNOB	POIGNEE	HANDGRIFF
18	15029051	TAPPO MANOPOLA	CAP KNOB	BOUCHON POIGNEE	DECKEL HANDGRIFF
19	77607048	PROF.COPRIFORO INF.DX-SX FIANCO GLORIA	RIGHT-LEFT PROFILE SIDE	PROFIL DROIT-GAUCHE COTE	RECHT-LINKE PROFIL
20	77044026	COPRICALDAIA AL/1 GLORIA INOX/LUC	S.STEEL BOILER COVER AL/1	COUVRE-CHAUDIERE INOX AL/1	KESSELDECKEL AL/1 STAHL
20	77044027	COPRICALDAIA AL/2 GLORIA INOX/LUC	S.STEEL BOILER COVER AL/2	COUVRE-CHAUDIERE INOX AL/2	KESSELDECKEL AL/2 STAHL
20	77044028	COPRICALDAIA AL/3 GLORIA INOX/LUC	S.STEEL BOILER COVER AL/3	COUVRE-CHAUDIERE INOX AL/3	KESSELDECKEL AL/3 STAHL
20	77044029	COPRICALDAIA AL/4 GLORIA INOX/LUC	S.STEEL BOILER COVER AL/4	COUVRE-CHAUDIERE INOX AL/4	KESSELDECKEL AL/4 STAHL
21	77044021	COPRICALDAIA ER/1 GLORIA INOX/LUC	S.STEEL BOILER COVER ER/1	COUVRE-CHAUDIERE INOX ER/1	KESSELDECKEL ER/1 STAHL
21	77044022	COPRICALDAIA ER/2 GLORIA INOX/LUC	S.STEEL BOILER COVER ER/2	COUVRE-CHAUDIERE INOX ER/2	KESSELDECKEL ER/2 STAHL
21	77044023	COPRICALDAIA ER/3 GLORIA INOX/LUC	S.STEEL BOILER COVER ER/3	COUVRE-CHAUDIERE INOX ER/3	KESSELDECKEL ER/3 STAHL
21	77044024	COPRICALDAIA ER/4 GLORIA INOX/LUC	S.STEEL BOILER COVER ER/4	COUVRE-CHAUDIERE INOX ER/4	KESSELDECKEL ER/4 STAHL
22	77044032	COPRICALDAIA ER/2 + DISPLAY GLORIA INOX/LUC	S.STEEL BOILER COVER ER/2 + DISPLAY	COUVRE-CHAUDIERE INOX ER/2 + DISPLAY	KESSELDECKEL ER/2 + DISPLAY STAHL
22	77044033	COPRICALDAIA ER/3 + DISPLAY GLORIA INOX/LUC	S.STEEL BOILER COVER ER/3 + DISPLAY	COUVRE-CHAUDIERE INOX ER/3 + DISPLAY	KESSELDECKEL ER/3 + DISPLAY STAHL
22	77044034	COPRICALDAIA ER/4 + DISPLAY GLORIA INOX/LUC	S.STEEL BOILER COVER ER/4 + DISPLAY	COUVRE-CHAUDIERE INOX ER/4 + DISPLAY	KESSELDECKEL ER/4 + DISPLAY STAHL
23	21203	PLEXIGLASS SEGNALEVELLO GLORIA	COLOURLESS LEVEL INDICATOR 0	SIGNAL NIVEAU	FARBLOSER NIVEAUANZEIGER
24	77691969	PROT.SUP.GRUPPO GLORIA INOX/L	TOP PROTECTION GROUP	PROTECTION SUPER. GROUPE	OBER GRUPPEN SCHUTZ
25	77691968	PROT.INF.GRUPPO GLORIA INOX/L	LOWER PROTECTION GROUP	PROTECTION INFER. GROUPE	UNTER GRUPPEN SCHUTZ
26	23420	VITE TE OTTONE M6X12 NICHELATA	M6X12NICKEL-PLATED BRASS HEX.HEAD SCREW	VIS TH LAITON M6X12 NICELEE	SECHSKANTSCHRAUBE AUS MESSING M6X12
27	15373070	TAPPO ABS CROMATO FORO GAS	CHROMED KEY	BOUCHON CHROME COUVRE-TROU DU GAZ	CHROM TASTE
28	76149054	GRIGLIA RIALZO TAZZE	CUPS-STAND FOR RAISED GROUP	GRILLE SUPERIEURE	GITTER FUER HOHE GRUPPE
29	76153000	GRIGLIA INF.WN01 INOX LUC.456X201	LOWER GRILL 456X201 SHINY S.STEEL	GRILLE INF.INOX 456X201	STAHL-UNTERGITTER 456X201
30	76154000	GRIGLIA INF.DX WN01 IN/LUC.338.5X201	RIGHT LOWER GRILL -SHINY S.STEEL	GRILLE INF.DROIT INOX 338,5X201	STAHL-UNTER-RECHTEGITTER 338,5X201
31	76155000	GRIGLIA INF.SX WN01 IN/LUC.338.5X201	LEFT LOWER GRILL - SHINY S.STEEL	GRILLE INF.GAUCHE INOX 338,5X201	STAHL-UNTER-LINKEGITTER 338,5X201
32	76156000	GRIGLIA INF.WN01 INOX LUC. 253X201	LOWER GRILL 253X201 - SHINY S.STEEL	GRILLE INF.INOX 253X201	STAHL-UNTERGITTER 253X201
33	76095	BACINELLA 1GR INOX LUCIDO	1GR GLOSSY STAINLESS STEEL TRAY	BASSINELLE 1GR INOX BRILLANT	STAHLSCHALE 1GR
33	76096	BACINELLA 2GR INOX LUCIDO	2GR GLOSSY STAINLESS STEEL TRAY	BASSINELLE 2GR INOX BRILLANT	STAHLSCHALE 2GR
33	76097	BACINELLA 3GR INOX LUCIDO	3GR GLOSSY STAINLESS STEEL TRAY	BASSINELLE 3GR INOX BRILLANT	STAHLSCHALE 3GR
33	76098	BACINELLA 4GR INOX LUCIDO	4GR GLOSSY STAINLESS STEEL TRAY	BASSINELLE 4GR INOX BRILLANT	STAHLSCHALE 4GR
34	78150055	SUPPORTO MANOMETRO AL 1>4GR GLORIA	GAUGE SUPPORT AL 1>4GR	SUPPORT MANOMETRE AL 1>4GR	MANOMETERHALTER AL 1>4GR
35	78150054	SUPPORTO MANOMETRO ER 1>4GR GLORIA	GAUGE SUPPORT ER 1>4GR	SUPPORT MANOMETRE ER 1>4GR	MANOMETERHALTER ER 1>4GR
36	21113	MANOMETRO TONDO 3ATM A LEVA	ROUND PRESSURE GAUGE 3ATM	MANOMETRE 3ATM AL	MANOMETER 3ATM AL
37	21114	MANOMETRO TONDO 16BAR	ROUND PRESSURE GAUGE 16ATM	MANOMETRE ROND 16 ATM	MANOMETER 16 ATM
38	21112	MANOMETRO TONDO D.SCALA	PRESSURE GAUGE	MANOMETRE	MANOMETER
39	77741	GUIDA DESTRA-SINISTRA BACINELLA	R-L BASIN GUIDE FOR FRAMES	GUIDE DX-SX CUVE X CHASSIS	FÜHRUNG RECHTS-LINKS SCHALE FÜR RAH
40	77742005	DISTANZIALE GUIDA BACINELLA	SPACER GLOSSY	ENTRETOISE CUVE	DISTANZSTUCK
41	77607050	STAFFA INF.SX FIANCO GLORIA	LOWER SIDE BRACKET	ETRIER INFERIEUR COTE	SEITE BUGEL UNTER
42	15318	PIEDINO REGOLABILE INOX/SAT H55/69	ADJUSTABLE FOOT H55/69	PIED REGLABLE H55/69	REGELBARER FUSS H55/69
43	77487105	PROF.BAS.ANT.GAS.1GR GLORIA INOX/LUC	BASE SURROUND 1GR S.STEEL GAS	PROFILS BASE 1GR INOX GAZ	GRUNDPROFIL 1GR STAHL GAS
43	77487106	PROF.BAS.ANT.GAS.2GR GLORIA INOX/LUC	BASE SURROUND 2GR S.STEEL GAS	PROFILS BASE 2GR INOX GAZ	GRUNDPROFIL 2GR STAHL GAS
43	77487107	PROF.BAS.ANT.GAS.3GR GLORIA INOX/LUC	BASE SURROUND 3GR S.STEEL GAS	PROFILS BASE 3GR INOX GAZ	GRUNDPROFIL 3GR STAHL GAS
43	77487108	PROF.BAS.ANT.GAS.4GR GLORIA INOX/LUC	BASE SURROUND 4GR S.STEEL GAS	PROFILS BASE 4GR INOX GAZ	GRUNDPROFIL 4GR STAHL GAS



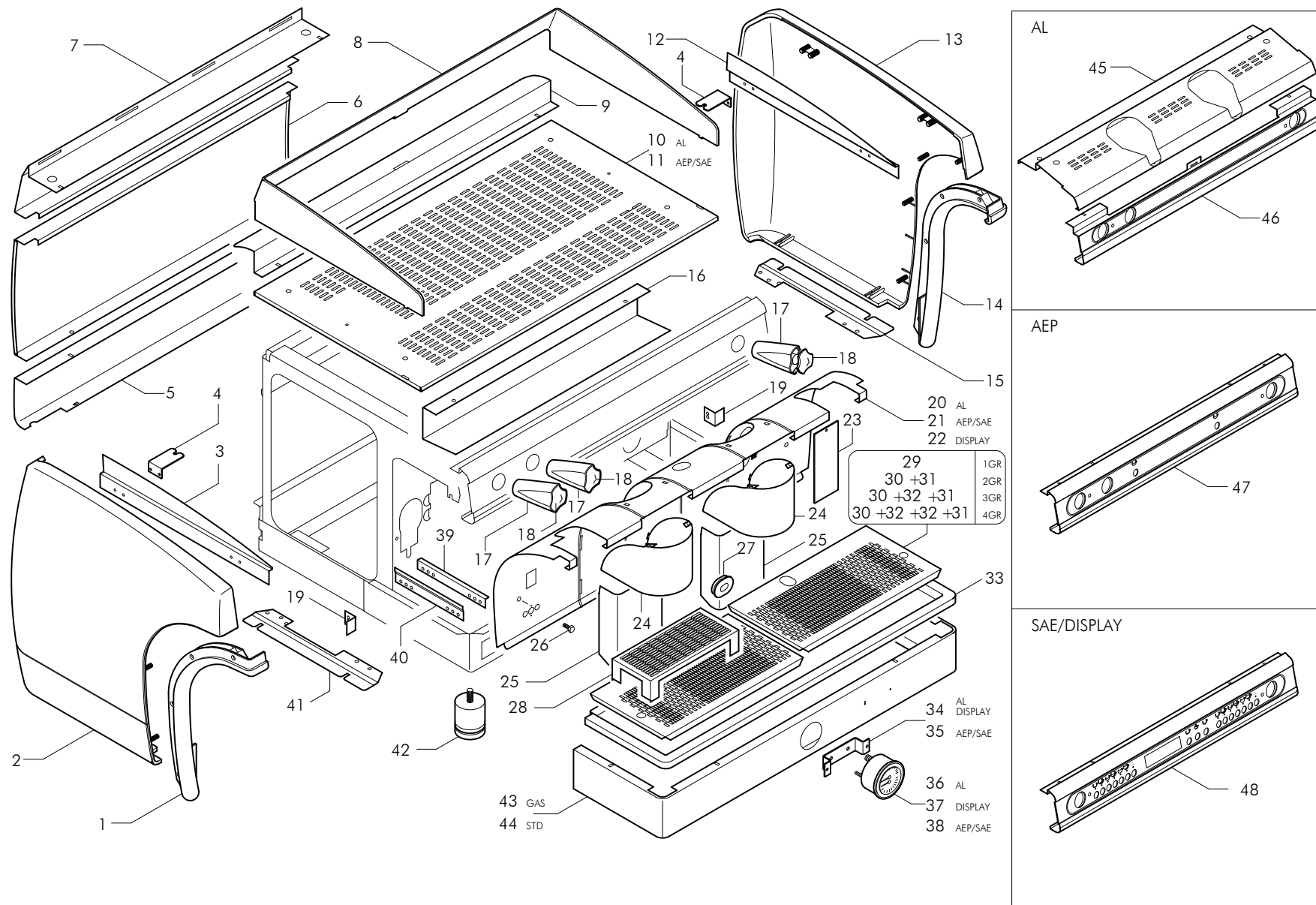
Pos	Cod.	Denominazione - IT -	Denomination - GB -	Denomination - FR -	Denomination - DE -
44	77487101	PROF.BAS.ANT.1GR GLORIA INOX/LUC	BASE SURROUND 1GR S.STEEL	PROFILS BASE 1GR INOX	GRUNDPROFIL 1GR STAHL
44	77487102	PROF.BAS.ANT.2GR GLORIA INOX/LUC	BASE SURROUND 2GR S.STEEL	PROFILS BASE 2GR INOX	GRUNDPROFIL 2GR STAHL
44	77487103	PROF.BAS.ANT.3GR GLORIA INOX/LUC	BASE SURROUND 3GR S.STEEL	PROFILS BASE 3GR INOX	GRUNDPROFIL 3GR STAHL
44	77487104	PROF.BAS.ANT.4GR GLORIA INOX/LUC	BASE SURROUND 4GR S.STEEL	PROFILS BASE 4GR INOX	GRUNDPROFIL 4GR STAHL
45	72699115	COPRIGRUPPO AL/1 GLORIA INOX LUC.	S.STEEL GROUP-COVER AL/1	COUVRE-GROUPE INOX AL/1	STAHL/GRUPPENDECKEL AL/1
45	72699116	COPRIGRUPPO AL/2 GLORIA INOX LUC.	S.STEEL GROUP-COVER AL/2	COUVRE-GROUPE INOX AL/2	STAHL/GRUPPENDECKEL AL/2
45	72699117	COPRIGRUPPO AL/3 GLORIA INOX LUC.	S.STEEL GROUP-COVER AL/3	COUVRE-GROUPE INOX AL/3	STAHL/GRUPPENDECKEL AL/3
45	72699118	COPRIGRUPPO AL/4 GLORIA INOX LUC.	S.STEEL GROUP-COVER AL/4	COUVRE-GROUPE INOX AL/4	STAHL/GRUPPENDECKEL AL/4
46	83700060R	KIT FRONTONE AL/1 GLORIA INOX	ASSEMBLY FRONT PANEL AL/1 S.STEEL	ENSEMBLE PANNEAU FRONTAL AL/1 INOX	STIRNTAFEL AL/1 STAHL GRUPPE
46	83700061R	KIT FRONTONE AL/2 GLORIA INOX	ASSEMBLY FRONT PANEL AL/2 S.STEEL	ENSEMBLE PANNEAU FRONTAL AL/2 INOX	STIRNTAFEL AL/2 STAHL GRUPPE
46	83700062R	KIT FRONTONE AL/3 GLORIA INOX	ASSEMBLY FRONT PANEL AL/3 S.STEEL	ENSEMBLE PANNEAU FRONTAL AL/3 INOX	STIRNTAFEL AL/3 STAHL GRUPPE
46	83700063R	KIT FRONTONE AL/4 GLORIA INOX	ASSEMBLY FRONT PANEL AL/4 S.STEEL	ENSEMBLE PANNEAU FRONTAL AL/4 INOX	STIRNTAFEL AL/4 STAHL GRUPPE
47	83700008R	KIT FRONTONE AEP/1 GLORIA ROSA	ASSEMBLY FRONT PANEL AEP/1 PINK	ENSEMBLE PANNEAU FRONTAL AEP/1 ROSE	STIRNTAFEL AEP/1 ROSA GRUPPE
47	83700010R	KIT FRONTONE AEP/2 GLORIA ROSA	ASSEMBLY FRONT PANEL AEP/2 PINK	ENSEMBLE PANNEAU FRONTAL AEP/2 ROSE	STIRNTAFEL AEP/2 ROSA GRUPPE
47	83700012R	KIT FRONTONE AEP/3 GLORIA ROSA	ASSEMBLY FRONT PANEL AEP/3 PINK	ENSEMBLE PANNEAU FRONTAL AEP/3 ROSE	STIRNTAFEL AEP/3 ROSA GRUPPE
47	83700014R	KIT FRONTONE AEP/4 GLORIA ROSA	ASSEMBLY FRONT PANEL AEP/4 PINK	ENSEMBLE PANNEAU FRONTAL AEP/4 ROSE	STIRNTAFEL AEP/4 ROSA GRUPPE
48	83700009R	KIT FRONTONE SAE/1 GLORIA ROSA	ASSEMBLY FRONT PANEL SAE/1 PINK	ENSEMBLE PANNEAU FRONTAL SAE/1 ROSE	STIRNTAFEL SAE/1 ROSA GRUPPE
48	83700011R	KIT FRONTONE SAE/2 GLORIA ROSA	ASSEMBLY FRONT PANEL SAE/2 PINK	ENSEMBLE PANNEAU FRONTAL SAE/2 ROSE	STIRNTAFEL SAE/2 ROSA GRUPPE
48	83700013R	KIT FRONTONE SAE/3 GLORIA ROSA	ASSEMBLY FRONT PANEL SAE/3 PINK	ENSEMBLE PANNEAU FRONTAL SAE/3 ROSE	STIRNTAFEL SAE/3 ROSA GRUPPE
48	83700015R	KIT FRONTONE SAE/4 GLORIA ROSA	ASSEMBLY FRONT PANEL SAE/4 PINK	ENSEMBLE PANNEAU FRONTAL SAE/4 ROSE	STIRNTAFEL SAE/4 ROSA GRUPPE



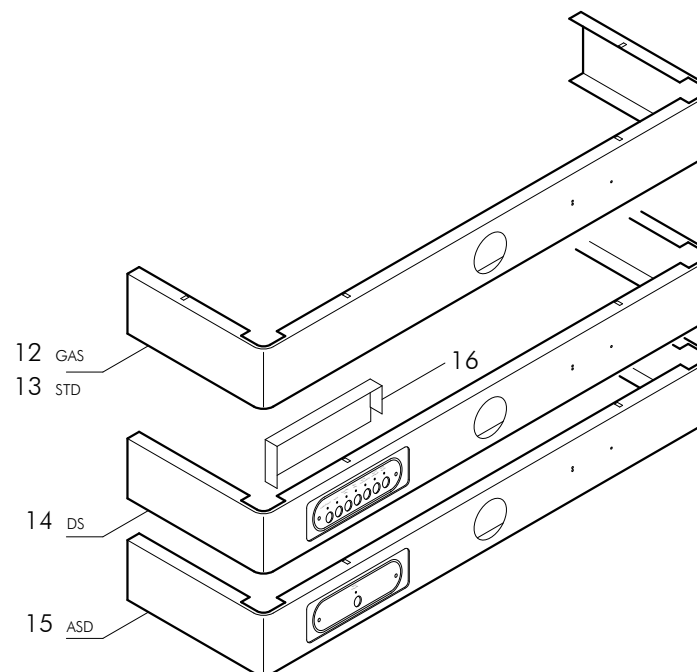
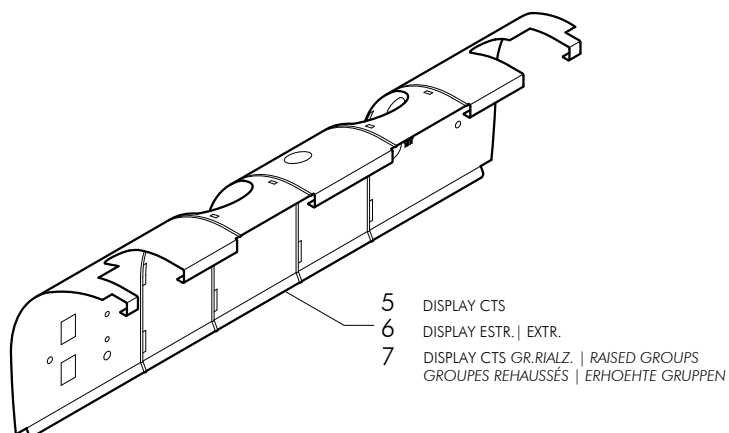
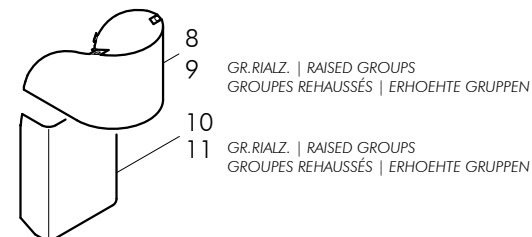
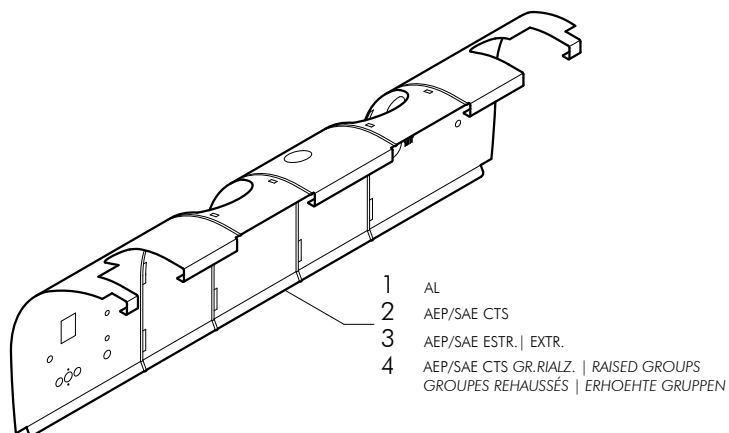
Pos	Cod.	Denominazione - IT -	Denomination - GB -	Denomination - FR -	Denomination - DE -
1	77498503	PROF.FIANCO SX GLORIA OTTONATO+BRILL	LEFT SIDE STRIP BRASS	PROFILS POUR COTE GAUCHE LAITON	PROFIL FUR LINKE SEITE MESSING LACKIERT
2	73130225	FIANCO SINISTRO GLORIA NERO9005+BRILL	LEFT SIDE PANEL BLACK	COTE GAUCHE NOIR	LINKE SEITE SCHWARZ
3	77607052	PROF.INT.SINISTRO FIANCO	INTERNAL STRIP LEFT	PROFIL INT. GAUCHE	PROFIL INNEN LINKE
4	78167010	STAFFA SUP.DX-SX SUPPORTO FIANCO	RH-LH PANEL SUPPORT	SUPPORT DR-GA COTE	RECHTS/LINKS HALTER
5	75288036	PANN.INF.1GR GLORIA NERO RAL9005+BRILL	LOWER PANEL 1GR BLACK	PANNEAU INF. 1GR NOIR	UNTERTAFEL 1GR SCHWARZ
5	75288040	PANN.INF.2GR GLORIA NERO RAL9005+BRILL	LOWER PANEL 2GR BLACK	PANNEAU INF. 2GR NOIR	UNTERTAFEL 2GR SCHWARZ
5	75288044	PANN.INF.3GR GLORIA NERO RAL9005+BRILL	LOWER PANEL 3GR BLACK	PANNEAU INF. 3GR NOIR	UNTERTAFEL 3GR SCHWARZ
5	75288048	PANN.INF.4GR GLORIA NERO RAL9005+BRILL	LOWER PANEL 4GR BLACK	PANNEAU INF. 4GR NOIR	UNTERTAFEL 4GR SCHWARZ
6	75288037	PANN.CENT.1GR GLORIA NERO RAL9005+BRILL	CENTRAL PANEL 1GR BLACK	PANNEAU CENTRAL 1GR NOIR	ZENTRALTAFEL 1GR SCHWARZ
6	75288041	PANN.CENT.2GR GLORIA NERO RAL9005+BRILL	CENTRAL PANEL 2GR BLACK	PANNEAU CENTRAL 2GR NOIR	ZENTRALTAFEL 2GR SCHWARZ
6	75288045	PANN.CENT.3GR GLORIA NERO RAL9005+BRILL	CENTRAL PANEL 3GR BLACK	PANNEAU CENTRAL 3GR NOIR	ZENTRALTAFEL 3GR SCHWARZ
6	75288049	PANN.CENT.4GR GLORIA NERO RAL9005+BRILL	CENTRAL PANEL 4GR BLACK	PANNEAU CENTRAL 4GR NOIR	ZENTRALTAFEL 4GR SCHWARZ
7	75288038	PANN.SUP.1GR GLORIA NERO RAL9005+BRILL	TOP PANEL 1GR BLACK	PANNEAU SUPERIEURE 1GR NOIR	OBERTAFEL 1GR SCHWARZ
7	75288042	PANN.SUP.2GR GLORIA NERO RAL9005+BRILL	TOP PANEL 2GR BLACK	PANNEAU SUPERIEURE 2GR NOIR	OBERTAFEL 2GR SCHWARZ
7	75288046	PANN.SUP.3GR GLORIA NERO RAL9005+BRILL	TOP PANEL 3GR BLACK	PANNEAU SUPERIEURE 3GR NOIR	OBERTAFEL 3GR SCHWARZ
7	75288050	PANN.SUP.4GR GLORIA NERO RAL9005+BRILL	TOP PANEL 4GR BLACK	PANNEAU SUPERIEURE 4GR NOIR	OBERTAFEL 4GR SCHWARZ
8	21162147	PLEXIGLASS SUP.1GR GLORIA	PLEXIGLASS 1GR	PLEXIGLASS 1GR	PLEXIGLASS 1GR
8	21162148	PLEXIGLASS SUP.2GR GLORIA	PLEXIGLASS 2GR	PLEXIGLASS 2GR	PLEXIGLASS 2GR
8	21162149	PLEXIGLASS SUP.3GR GLORIA	PLEXIGLASS 3GR	PLEXIGLASS 3GR	PLEXIGLASS 3GR
8	21162150	PLEXIGLASS SUP.4GR GLORIA	PLEXIGLASS 4GR	PLEXIGLASS 4GR	PLEXIGLASS 4GR
9	75288039	PROF.SUP.FERMA PLEXIGLASS 1GR OTTONATO+BRIL	PLEXIGLASS SUPPORT 1GR BRASS	SUPPORT PLEXIGLASS 1GR LAITON	PLEXIGLASSHALTER 1GR MESSING LACKIERT
9	75288043	PROF.SUP.FERMA PLEXIGLASS 2GR OTTONATO+BRIL	PLEXIGLASS SUPPORT 2GR BRASS	SUPPORT PLEXIGLASS 2GR LAITON	PLEXIGLASSHALTER 2GR MESSING LACKIERT
9	75288047	PROF.SUP.FERMA PLEXIGLASS 3GR OTTONATO+BRIL	PLEXIGLASS SUPPORT 3GR BRASS	SUPPORT PLEXIGLASS 3GR LAITON	PLEXIGLASSHALTER 3GR MESSING LACKIERT
9	75288051	PROF.SUP.FERMA PLEXIGLASS 4GR OTTONATO+BRIL	PLEXIGLASS SUPPORT 4GR BRASS	SUPPORT PLEXIGLASS 4GR LAITON	PLEXIGLASSHALTER 4GR MESSING LACKIERT
10	76100109	GRIGLIA SUPERIORE AL/1 GLORIA INOX	TOP GRATE AL/1 S.STEEL	GRILLE SUP. AL/1 INOX	OBERGITTER AL/1 STAHL
10	76100110	GRIGLIA SUPERIORE AL/2 GLORIA INOX	TOP GRATE AL/2 S.STEEL	GRILLE SUP. AL/2 INOX	OBERGITTER AL/2 STAHL
10	76100111	GRIGLIA SUPERIORE AL/3 GLORIA INOX	TOP GRATE AL/3 S.STEEL	GRILLE SUP. AL/3 INOX	OBERGITTER AL/3 STAHL
10	76100112	GRIGLIA SUPERIORE AL/4 GLORIA INOX	TOP GRATE AL/4 S.STEEL	GRILLE SUP. AL/4 INOX	OBERGITTER AL/4 STAHL
11	76100101	GRIGLIA SUPERIORE ER/1 GLORIA INOX	TOP GRATE ER/1 S.STEEL	GRILLE SUP. ER/1 INOX	OBERGITTER ER/1 STAHL
11	76100102	GRIGLIA SUPERIORE ER/2 GLORIA INOX	TOP GRATE ER/2 S.STEEL	GRILLE SUP. ER/2 INOX	OBERGITTER ER/2 STAHL
11	76100103	GRIGLIA SUPERIORE ER/3 GLORIA INOX	TOP GRATE ER/3 S.STEEL	GRILLE SUP. ER/3 INOX	OBERGITTER ER/3 STAHL
11	76100104	GRIGLIA SUPERIORE ER/4 GLORIA INOX	TOP GRATE ER/4 S.STEEL	GRILLE SUP. ER/4 INOX	OBERGITTER ER/4 STAHL
12	77607051	PROF.INT.DESTRO FIANCO GLORIA	INTERNAL STRIP RIGHT	PROFIL INT. COTE DROIT	PROFIL INNEN RECHTE
13	73130224	FIANCO DESTRO GLORIA NERO9005+BRILL	RIGHT SIDE PANEL BLACK	COTE DROIT NOIR	RECHTE SEITE SCHWARZ
14	77498502	PROF.FIANCO DX GLORIA OTTONATO	RIGHT SIDE STRIP BRASS	PROFILS POUR COTE DROIT LAITON	PROFIL FUR RECHTE SEITE MESSING LACKIERT
15	77607049	STAFFA INF.DESTRA FIANCO GLORIA	LOWER SIDE BRACKET	ETRIER INFERIEUR COTE	SEITE BUGEL UNTER
16	77691960	PROT.PULS.AEP-SAE/1 GLORIA INOX/L	PUSH BUTTON PANEL GUARD AEP-SAE/1	PROTECTION CLAVIERS AEP-SAE/1	SCHUTZ BEDIENBLENDE AEP-SAE/1
16	77691961	PROT.PULS.AEP-SAE/2 GLORIA INOX/L	PUSH BUTTON PANEL GUARD AEP-SAE/2	PROTECTION CLAVIERS AEP-SAE/2	SCHUTZ BEDIENBLENDE AEP-SAE/2
16	77691962	PROT.PULS.AEP-SAE/3 GLORIA INOX/L	PUSH BUTTON PANEL GUARD AEP-SAE/3	PROTECTION CLAVIERS AEP-SAE/3	SCHUTZ BEDIENBLENDE AEP-SAE/3
16	77691963	PROT.PULS.AEP-SAE/4 GLORIA INOX/L	PUSH BUTTON PANEL GUARD AEP-SAE/4	PROTECTION CLAVIERS AEP-SAE/4	SCHUTZ BEDIENBLENDE AEP-SAE/4



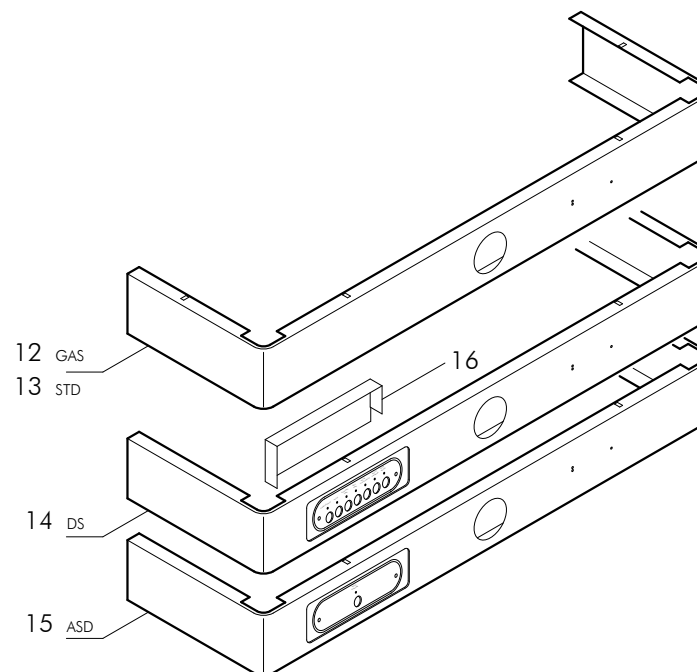
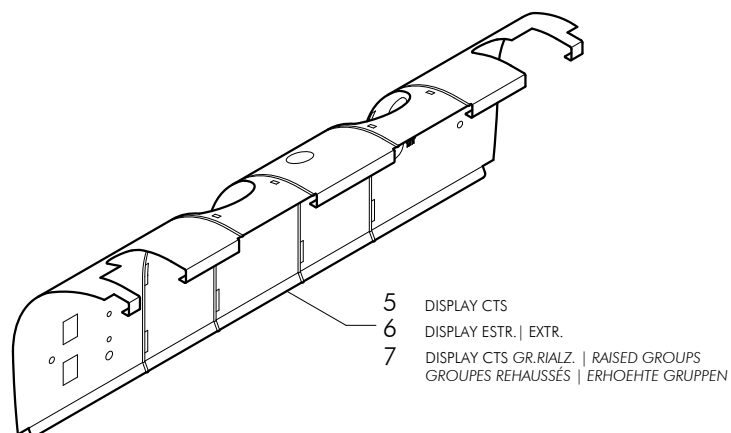
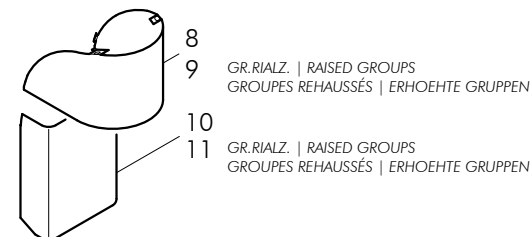
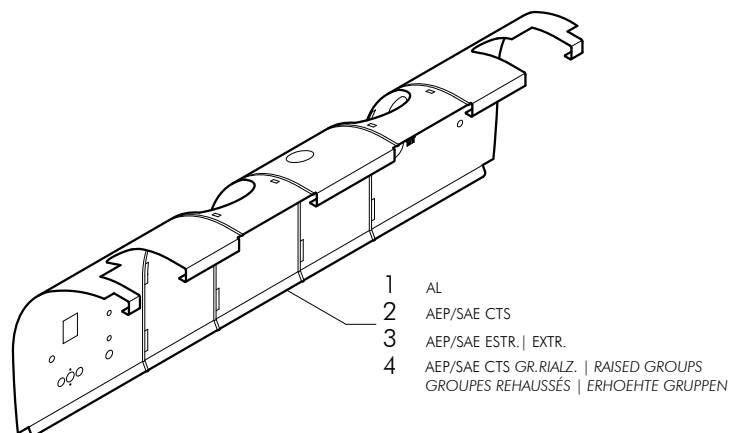
Pos	Cod.	Denominazione - IT -	Denomination - GB -	Denomination - FR -	Denomination - DE -
17	15029050	MANOPOLA	KNOB	POIGNEE	HANDGRIFF
18	15029051	TAPPO MANOPOLA	CAP KNOB	BOUCHON POIGNEE	DECKEL HANDGRIFF
19	77607048	PROF.COPRIFORO INF.DX-SX FIANCO GLORIA	RIGHT-LEFT PROFILE SIDE	PROFIL DROIT-GAUCHE COTE	RECHT-LINKE PROFIL
20	77044026	COPRICALDAIA AL/1 GLORIA INOX/LUC	S.STEEL BOILER COVER AL/1	COUVRE-CHAUDIERE INOX AL/1	KESSELDECKEL AL/1 STAHL
20	77044027	COPRICALDAIA AL/2 GLORIA INOX/LUC	S.STEEL BOILER COVER AL/2	COUVRE-CHAUDIERE INOX AL/2	KESSELDECKEL AL/2 STAHL
20	77044028	COPRICALDAIA AL/3 GLORIA INOX/LUC	S.STEEL BOILER COVER AL/3	COUVRE-CHAUDIERE INOX AL/3	KESSELDECKEL AL/3 STAHL
20	77044029	COPRICALDAIA AL/4 GLORIA INOX/LUC	S.STEEL BOILER COVER AL/4	COUVRE-CHAUDIERE INOX AL/4	KESSELDECKEL AL/4 STAHL
21	77044021	COPRICALDAIA ER/1 GLORIA INOX/LUC	S.STEEL BOILER COVER ER/1	COUVRE-CHAUDIERE INOX ER/1	KESSELDECKEL ER/1 STAHL
21	77044022	COPRICALDAIA ER/2 GLORIA INOX/LUC	S.STEEL BOILER COVER ER/2	COUVRE-CHAUDIERE INOX ER/2	KESSELDECKEL ER/2 STAHL
21	77044023	COPRICALDAIA ER/3 GLORIA INOX/LUC	S.STEEL BOILER COVER ER/3	COUVRE-CHAUDIERE INOX ER/3	KESSELDECKEL ER/3 STAHL
21	77044024	COPRICALDAIA ER/4 GLORIA INOX/LUC	S.STEEL BOILER COVER ER/4	COUVRE-CHAUDIERE INOX ER/4	KESSELDECKEL ER/4 STAHL
22	77044032	COPRICALDAIA ER/2 + DISPLAY GLORIA INOX/LUC	S.STEEL BOILER COVER ER/2 + DISPLAY	COUVRE-CHAUDIERE INOX ER/2 + DISPLAY	KESSELDECKEL ER/2 + DISPLAY STAHL
22	77044033	COPRICALDAIA ER/3 + DISPLAY GLORIA INOX/LUC	S.STEEL BOILER COVER ER/3 + DISPLAY	COUVRE-CHAUDIERE INOX ER/3 + DISPLAY	KESSELDECKEL ER/3 + DISPLAY STAHL
22	77044034	COPRICALDAIA ER/4 + DISPLAY GLORIA INOX/LUC	S.STEEL BOILER COVER ER/4 + DISPLAY	COUVRE-CHAUDIERE INOX ER/4 + DISPLAY	KESSELDECKEL ER/4 + DISPLAY STAHL
23	21203	PLEXIGLASS SEGNALEVELLO GLORIA	COLOURLESS LEVEL INDICATOR 0	SIGNAL NIVEAU	FARBLOSER NIVEAUANZEIGER
24	77691969	PROT.SUP.GRUPPO GLORIA INOX/L	TOP PROTECTION GROUP	PROTECTION SUPER. GROUPE	OBER GRUPPEN SCHUTZ
25	77691968	PROT.INF.GRUPPO GLORIA INOX/L	LOWER PROTECTION GROUP	PROTECTION INFER. GROUPE	UNTER GRUPPEN SCHUTZ
26	23420	VITE TE OTTONE M6X12 NICHELATA	M6X12NICKEL-PLATED BRASS HEX.HEAD SCREW	VIS TH LAITON M6X12 NICKELEE	SECHSKANTSCHRAUBE AUS MESSING M6X12
27	15373070	TAPPO ABS CROMATO FORO GAS	CHROMED KEY	BOUCHON CHROME COUVRE-TROU DU GAZ	CHROM TASTE
28	76149054	GRIGLIA RIALZO TAZZE	CUPS-STAND FOR RAISED GROUP	GRILLE SUPERIEURE	GITTER FUER HOHE GRUPPE
29	76153000	GRIGLIA INF.WN01 INOX LUC.456X201	LOWER GRILL 456X201 SHINY S.STEEL	GRILLE INF.INOX 456X201	STAHL-UNTERGITTER 456X201
30	76154000	GRIGLIA INF.DX WN01 IN/LUC.338.5X201	RIGHT LOWER GRILL -SHINY S.STEEL	GRILLE INF.DROIT INOX 338,5X201	STAHL-UNTER-RECHTEGITTER 338,5X201
31	76155000	GRIGLIA INF.SX WN01 IN/LUC.338.5X201	LEFT LOWER GRILL - SHINY S.STEEL	GRILLE INF.GAUCHE INOX 338,5X201	STAHL-UNTER-LINKEGITTER 338,5X201
32	76156000	GRIGLIA INF.WN01 INOX LUC. 253X201	LOWER GRILL 253X201 - SHINY S.STEEL	GRILLE INF.INOX 253X201	STAHL-UNTERGITTER 253X201
33	76095	BACINELLA 1GR INOX LUCIDO	1GR GLOSSY STAINLESS STEEL TRAY	BASSINELLE 1GR INOX BRILLANT	STAHLSCHALE 1GR
33	76096	BACINELLA 2GR INOX LUCIDO	2GR GLOSSY STAINLESS STEEL TRAY	BASSINELLE 2GR INOX BRILLANT	STAHLSCHALE 2GR
33	76097	BACINELLA 3GR INOX LUCIDO	3GR GLOSSY STAINLESS STEEL TRAY	BASSINELLE 3GR INOX BRILLANT	STAHLSCHALE 3GR
33	76098	BACINELLA 4GR INOX LUCIDO	4GR GLOSSY STAINLESS STEEL TRAY	BASSINELLE 4GR INOX BRILLANT	STAHLSCHALE 4GR
34	78150055	SUPPORTO MANOMETRO AL 1>4GR GLORIA	GAUGE SUPPORT AL 1>4GR	SUPPORT MANOMETRE AL 1>4GR	MANOMETERHALTER AL 1>4GR
35	78150054	SUPPORTO MANOMETRO ER 1>4GR GLORIA	GAUGE SUPPORT ER 1>4GR	SUPPORT MANOMETRE ER 1>4GR	MANOMETERHALTER ER 1>4GR
36	21113	MANOMETRO TONDO 3ATM A LEVA	ROUND PRESSURE GAUGE 3ATM	MANOMETRE 3ATM AL	MANOMETER 3ATM AL
37	21114	MANOMETRO TONDO 16BAR	ROUND PRESSURE GAUGE 16ATM	MANOMETRE ROND 16 ATM	MANOMETER 16 ATM
38	21112	MANOMETRO TONDO D.SCALA	PRESSURE GAUGE	MANOMETRE	MANOMETER
39	77741	GUIDA DESTRA-SINISTRA BACINELLA	R-L BASIN GUIDE FOR FRAMES	GUIDE DX-SX CUVE X CHASSIS	FÜHRUNG RECHTS-LINKS SCHALE FÜR RAH
40	77742005	DISTANZIALE GUIDA BACINELLA	SPACER GLOSSY	ENTRETOISE CUVE	DISTANZSTUCK
41	77607050	STAFFA INF.SX FIANCO GLORIA	LOWER SIDE BRACKET	ETRIER INFERIEUR COTE	SEITE BUGEL UNTER
42	15318	PIEDINO REGOLABILE INOX/SAT H55/69	ADJUSTABLE FOOT H55/69	PIED REGLABLE H55/69	REGELBARER FUSS H55/69
43	77487115	PROF.BAS.ANT.GAS.1GR GLORIA NERO9005+BRILL	BASE SURROUND 1GR BLACK GAS	PROFILS BASE 1GR NOIR GAZ	GRUNDPROFIL 1GR SCHWARZ GAS
43	77487116	PROF.BAS.ANT.GAS.2GR GLORIA NERO9005+BRILL	BASE SURROUND 2GR BLACK GAS	PROFILS BASE 2GR NOIR GAZ	GRUNDPROFIL 2GR SCHWARZ GAS
43	77487117	PROF.BAS.ANT.GAS.3GR GLORIA NERO9005+BRILL	BASE SURROUND 3GR BLACK GAS	PROFILS BASE 3GR NOIR GAZ	GRUNDPROFIL 3GR SCHWARZ GAS
43	77487118	PROF.BAS.ANT.GAS.4GR GLORIA NERO9005+BRILL	BASE SURROUND 4GR BLACK GAS	PROFILS BASE 4GR NOIR GAZ	GRUNDPROFIL 4GR SCHWARZ GAS



Pos	Cod.	Denominazione - IT -	Denomination - GB -	Denomination - FR -	Denomination - DE -
44	77487111	PROF.BAS.ANT.1GR GLORIA NER09005+BRILL	BASE SURROUND 1GR BLACK	PROFILS BASE 1GR NOIR	GRUNDPROFIL 1GR SCHWARZ
44	77487112	PROF.BAS.ANT.2GR GLORIA NER09005+BRILL	BASE SURROUND 2GR BLACK	PROFILS BASE 2GR NOIR	GRUNDPROFIL 2GR SCHWARZ
44	77487113	PROF.BAS.ANT.3GR GLORIA NER09005+BRILL	BASE SURROUND 3GR BLACK	PROFILS BASE 3GR NOIR	GRUNDPROFIL 3GR SCHWARZ
44	77487114	PROF.BAS.ANT.4GR GLORIA NER09005+BRILL	BASE SURROUND 4GR BLACK	PROFILS BASE 4GR NOIR	GRUNDPROFIL 4GR SCHWARZ
45	72699115	COPRIGRUPPO AL/1 GLORIA INOX LUC.	S.STEEL GROUP-COVER AL/1	COUVRE-GROUPE INOX AL/1	STAHL/GRUPPENDECKEL AL/1
45	72699116	COPRIGRUPPO AL/2 GLORIA INOX LUC.	S.STEEL GROUP-COVER AL/2	COUVRE-GROUPE INOX AL/2	STAHL/GRUPPENDECKEL AL/2
45	72699117	COPRIGRUPPO AL/3 GLORIA INOX LUC.	S.STEEL GROUP-COVER AL/3	COUVRE-GROUPE INOX AL/3	STAHL/GRUPPENDECKEL AL/3
45	72699118	COPRIGRUPPO AL/4 GLORIA INOX LUC.	S.STEEL GROUP-COVER AL/4	COUVRE-GROUPE INOX AL/4	STAHL/GRUPPENDECKEL AL/4
46	83700060R	KIT FRONTONE AL/1 GLORIA INOX	ASSEMBLY FRONT PANEL AL/1 S.STEEL	ENSEMBLE PANNEAU FRONTAL AL/1 INOX	STIRNTAFEL AL/1 STAHL GRUPPE
46	83700061R	KIT FRONTONE AL/2 GLORIA INOX	ASSEMBLY FRONT PANEL AL/2 S.STEEL	ENSEMBLE PANNEAU FRONTAL AL/2 INOX	STIRNTAFEL AL/2 STAHL GRUPPE
46	83700062R	KIT FRONTONE AL/3 GLORIA INOX	ASSEMBLY FRONT PANEL AL/3 S.STEEL	ENSEMBLE PANNEAU FRONTAL AL/3 INOX	STIRNTAFEL AL/3 STAHL GRUPPE
46	83700063R	KIT FRONTONE AL/4 GLORIA INOX	ASSEMBLY FRONT PANEL AL/4 S.STEEL	ENSEMBLE PANNEAU FRONTAL AL/4 INOX	STIRNTAFEL AL/4 STAHL GRUPPE
47	83700024R	KIT FRONTONE AEP/1 GLORIA NERO	ASSEMBLY FRONT PANEL AEP/1 BLACK	ENSEMBLE PANNEAU FRONTAL AEP/1 NOIR	STIRNTAFEL AEP/1 SCHWARZ GRUPPE
47	83700026R	KIT FRONTONE AEP/2 GLORIA NERO	ASSEMBLY FRONT PANEL AEP/2 BLACK	ENSEMBLE PANNEAU FRONTAL AEP/2 NOIR	STIRNTAFEL AEP/2 SCHWARZ GRUPPE
47	83700028R	KIT FRONTONE AEP/3 GLORIA NERO	ASSEMBLY FRONT PANEL AEP/3 BLACK	ENSEMBLE PANNEAU FRONTAL AEP/3 NOIR	STIRNTAFEL AEP/3 SCHWARZ GRUPPE
47	83700030R	KIT FRONTONE AEP/4 GLORIA NERO	ASSEMBLY FRONT PANEL AEP/4 BLACK	ENSEMBLE PANNEAU FRONTAL AEP/4 NOIR	STIRNTAFEL AEP/4 SCHWARZ GRUPPE
48	83700025R	KIT FRONTONE SAE/1 GLORIA NERO	ASSEMBLY FRONT PANEL SAE/1 BLACK	ENSEMBLE PANNEAU FRONTAL SAE/1 NOIR	STIRNTAFEL SAE/1 SCHWARZ GRUPPE
48	83700027R	KIT FRONTONE SAE/2 GLORIA NERO	ASSEMBLY FRONT PANEL SAE/2 BLACK	ENSEMBLE PANNEAU FRONTAL SAE/2 NOIR	STIRNTAFEL SAE/2 SCHWARZ GRUPPE
48	83700029R	KIT FRONTONE SAE/3 GLORIA NERO	ASSEMBLY FRONT PANEL SAE/3 BLACK	ENSEMBLE PANNEAU FRONTAL SAE/3 NOIR	STIRNTAFEL SAE/3 SCHWARZ GRUPPE
48	83700031R	KIT FRONTONE SAE/4 GLORIA NERO	ASSEMBLY FRONT PANEL SAE/4 BLACK	ENSEMBLE PANNEAU FRONTAL SAE/4 NOIR	STIRNTAFEL SAE/4 SCHWARZ GRUPPE



Pos	Cod.	Denominazione - IT -	Denomination - GB -	Denomination - FR -	Denomination - DE -
1	77044026	COPRICALDAIA AL/1 INOX/LUC	S.STEEL BOILER COVER AL/1	COUVRE-CHAUDIÈRE INOX AL/1	KESSELDECKEL AL/1 STAHL
1	77044027	COPRICALDAIA AL/2 INOX/LUC	S.STEEL BOILER COVER AL/2	COUVRE-CHAUDIÈRE INOX AL/2	KESSELDECKEL AL/2 STAHL
1	77044028	COPRICALDAIA AL/3 INOX/LUC	S.STEEL BOILER COVER AL/3	COUVRE-CHAUDIÈRE INOX AL/3	KESSELDECKEL AL/3 STAHL
1	77044029	COPRICALDAIA AL/4 INOX/LUC	S.STEEL BOILER COVER AL/4	COUVRE-CHAUDIÈRE INOX AL/4	KESSELDECKEL AL/4 STAHL
2	77044021	COPRICALDAIA ER/1 INOX/LUC	S.STEEL BOILER COVER ER/1	COUVRE-CHAUDIÈRE INOX ER/1	KESSELDECKEL ER/1 STAHL
2	77044022	COPRICALDAIA ER/2 INOX/LUC	S.STEEL BOILER COVER ER/2	COUVRE-CHAUDIÈRE INOX ER/2	KESSELDECKEL ER/2 STAHL
2	77044023	COPRICALDAIA ER/3 INOX/LUC	S.STEEL BOILER COVER ER/3	COUVRE-CHAUDIÈRE INOX ER/3	KESSELDECKEL ER/3 STAHL
2	77044024	COPRICALDAIA ER/4 INOX/LUC	S.STEEL BOILER COVER ER/4	COUVRE-CHAUDIÈRE INOX ER/4	KESSELDECKEL ER/4 STAHL
3	77044040	COPRICALDAIA ER/1 INOX/LUC ESTR.	S.STEEL BOILER COVER ER/1 EXTR.	COUVRE-CHAUDIÈRE INOX ER/1 EXTR.	KESSELDECKEL ER/1 STAHL HERAUSZIEHBAR
3	77044041	COPRICALDAIA ER/2 INOX/LUC ESTR.	S.STEEL BOILER COVER ER/2 EXTR.	COUVRE-CHAUDIÈRE INOX ER/2 EXTR.	KESSELDECKEL ER/2 STAHL HERAUSZIEHBAR
3	77044042	COPRICALDAIA ER/3 INOX/LUC ESTR.	S.STEEL BOILER COVER ER/3 EXTR.	COUVRE-CHAUDIÈRE INOX ER/3 EXTR.	KESSELDECKEL ER/3 STAHL HERAUSZIEHBAR
3	77044043	COPRICALDAIA ER/4 INOX/LUC ESTR.	S.STEEL BOILER COVER ER/4 EXTR.	COUVRE-CHAUDIÈRE INOX ER/4 EXTR.	KESSELDECKEL ER/4 STAHL HERAUSZIEHBAR
4	77044044	COPRICALDAIA ER/1 GRUPPI RIALZ. INOX/LUC	S.STEEL BOILER COVER ER/1 RAISED GROUPS	COUVRE-CHAUDIÈRE INOX ER/1 GR.REHAUSSÉS	KESSELDECKEL ER/1 STAHL ERHOEHTE GRUPPEN
4	77044045	COPRICALDAIA ER/2 GRUPPI RIALZ. INOX/LUC	S.STEEL BOILER COVER ER/2 RAISED GROUPS	COUVRE-CHAUDIÈRE INOX ER/2 GR.REHAUSSÉS	KESSELDECKEL ER/2 STAHL ERHOEHTE GRUPPEN
4	77044047	COPRICALDAIA ER/3 GRUPPI RIALZ. INOX/LUC	S.STEEL BOILER COVER ER/3 RAISED GROUPS	COUVRE-CHAUDIÈRE INOX ER/3 GR.REHAUSSÉS	KESSELDECKEL ER/3 STAHL ERHOEHTE GRUPPEN
4	77044053	COPRICALDAIA ER/4 GRUPPI RIALZ. INOX/LUC	S.STEEL BOILER COVER ER/4 RAISED GROUPS	COUVRE-CHAUDIÈRE INOX ER/4 GR.REHAUSSÉS	KESSELDECKEL ER/4 STAHL ERHOEHTE GRUPPEN
5	77044031	COPRICALDAIA ER/1 + DISPLAY INOX/LUC	S.STEEL BOILER COVER ER/1 + DISPLAY	COUVRE-CHAUDIÈRE INOX ER/1 + AFFICH.	KESSELDECKEL ER/1 + DISPLAY STAHL
5	77044032	COPRICALDAIA ER/2 + DISPLAY INOX/LUC	S.STEEL BOILER COVER ER/2 + DISPLAY	COUVRE-CHAUDIÈRE INOX ER/2 + AFFICH.	KESSELDECKEL ER/2 + DISPLAY STAHL
5	77044033	COPRICALDAIA ER/3 + DISPLAY INOX/LUC	S.STEEL BOILER COVER ER/3 + DISPLAY	COUVRE-CHAUDIÈRE INOX ER/3 + AFFICH.	KESSELDECKEL ER/3 + DISPLAY STAHL
5	77044034	COPRICALDAIA ER/4 + DISPLAY INOX/LUC	S.STEEL BOILER COVER ER/4 + DISPLAY	COUVRE-CHAUDIÈRE INOX ER/4 + AFFICH.	KESSELDECKEL ER/4 + DISPLAY STAHL
6	77044036	COPRICALDAIA ER/2 + DISPLAY INOX/LUC ESTR.	S.STEEL BOILER COVER ER/2 + DISP.EXTR.	COUVRE-CHAUDIÈRE INOX ER/2 + AFFICH. EXTR.	KESSELDECKEL ER/2 + DISP.STAHL HERAUSZIEHBAR
6	77044037	COPRICALDAIA ER/3 + DISPLAY INOX/LUC ESTR.	S.STEEL BOILER COVER ER/3 + DISP.EXTR.	COUVRE-CHAUDIÈRE INOX ER/3 + AFFICH. EXTR.	KESSELDECKEL ER/3 + DISP.STAHL HERAUSZIEHBAR
6	77044038	COPRICALDAIA ER/4 + DISPLAY INOX/LUC ESTR.	S.STEEL BOILER COVER ER/4 + DISP.EXTR.	COUVRE-CHAUDIÈRE INOX ER/4 + AFFICH. EXTR.	KESSELDECKEL ER/4 + DISP.STAHL HERAUSZIEHBAR
7	77044049	COPRICALDAIA ER/2+CAPP.3S+DISP.GRUPPI RI	S.STEEL BOILER COVER ER/2+DISP.RAISED GR.	COUVRE-CHAUDIÈRE INOX ER/2 + AFFICH. GR.RE.	KESSELDECKEL ER/2 + DISP.STAHL ERHOEHTE GR.
7	77044050	COPRICALDAIA ER/3+CAPP.3S+DISP.GRUPPI RI	S.STEEL BOILER COVER ER/3+DISP.RAISED GR.	COUVRE-CHAUDIÈRE INOX ER/3 + AFFICH. GR.RE.	KESSELDECKEL ER/3 + DISP.STAHL ERHOEHTE GR.
7	77044052	COPRICALDAIA ER/1+CAPP.3S+DISP.GRUPPI RI	S.STEEL BOILER COVER ER/1+DISP.RAISED GR.	COUVRE-CHAUDIÈRE INOX ER/1 + AFFICH. GR.RE.	KESSELDECKEL ER/1 + DISP.STAHL ERHOEHTE GR.
8	77691969	PROT.SUP.GRUPPO INOX/L	TOP PROTECTION GROUP	PROTECTION SUPER. GROUPE	OBER GRUPPEN SCHUTZ
9	77691984	PROT.SUP.GRUPPO RIALZATO INOX/L	TOP PROTECTION RAISED GROUPS	PROTECTION SUPER. GROUPES REHAUSSÉS	OBER ERHOEHTE GRUPPEN SCHUTZ
10	77691968	PROT.INF.GRUPPO INOX/L	LOWER PROTECTION GROUP	PROTECTION INFER. GROUPE	UNTER GRUPPEN SCHUTZ
11	77691983	PROT.INF.GRUPPO RIALZATO INOX/L	LOWER PROTECTION RAISED GROUPS	PROTECTION INFER. GROUPES REHAUSSÉS	UNTER ERHOEHTE GRUPPEN SCHUTZ
12	77487105	PROF.BAS.ANT.GAS.1GR INOX/LUC	BASE SURROUND 1GR S.STEEL GAS	PROFILS BASE 1GR INOX GAZ	GRUNDPROFIL 1GR STAHL GAS
12	77487106	PROF.BAS.ANT.GAS.2GR INOX/LUC	BASE SURROUND 2GR S.STEEL GAS	PROFILS BASE 2GR INOX GAZ	GRUNDPROFIL 2GR STAHL GAS
12	77487107	PROF.BAS.ANT.GAS.3GR INOX/LUC	BASE SURROUND 3GR S.STEEL GAS	PROFILS BASE 3GR INOX GAZ	GRUNDPROFIL 3GR STAHL GAS
12	77487108	PROF.BAS.ANT.GAS.4GR INOX/LUC	BASE SURROUND 4GR S.STEEL GAS	PROFILS BASE 4GR INOX GAZ	GRUNDPROFIL 4GR STAHL GAS
13	77487101	PROF.BAS.ANT.1GR INOX/LUC	BASE SURROUND 1GR S.STEEL	PROFILS BASE 1GR INOX	GRUNDPROFIL 1GR STAHL
13	77487102	PROF.BAS.ANT.2GR INOX/LUC	BASE SURROUND 2GR S.STEEL	PROFILS BASE 2GR INOX	GRUNDPROFIL 2GR STAHL
13	77487103	PROF.BAS.ANT.3GR INOX/LUC	BASE SURROUND 3GR S.STEEL	PROFILS BASE 3GR INOX	GRUNDPROFIL 3GR STAHL
13	77487104	PROF.BAS.ANT.4GR INOX/LUC	BASE SURROUND 4GR S.STEEL	PROFILS BASE 4GR INOX	GRUNDPROFIL 4GR STAHL



Pos	Cod.	Denominazione - IT -	Denomination - GB -	Denomination - FR -	Denomination - DE -
14	83770011R	KIT BASAMENTO 1GR DS INGLESE INOX	ASS.BASE SURROUND 1GR DS ENGLISH S.STEEL	ENS.PROFIL BASE 1GR DS ANGLAIS INOX	GRUNDPROFIL 1GR DS ENGLISCH STAHL
14	83770013R	KIT BASAMENTO 1GR DS TEDESCO INOX	ASS.BASE SURROUND 1GR DS GERMAN S.STEEL	ENS.PROFIL BASE 1GR DS ALLEMAND INOX	GRUNDPROFIL 1GR DS DEUTSCH STAHL
14	83770015R	KIT BASAMENTO 2GR DS INGLESE INOX	ASS.BASE SURROUND 2GR DS ENGLISH S.STEEL	ENS.PROFIL BASE 2GR DS ANGLAIS INOX	GRUNDPROFIL 2GR DS ENGLISCH STAHL
14	83770017R	KIT BASAMENTO 2GR DS TEDESCO INOX	ASS.BASE SURROUND 2GR DS GERMAN S.STEEL	ENS.PROFIL BASE 2GR DS ALLEMAND INOX	GRUNDPROFIL 2GR DS DEUTSCH STAHL
14	83770019R	KIT BASAMENTO 3GR DS INGLESE INOX	ASS.BASE SURROUND 3GR DS ENGLISH S.STEEL	ENS.PROFIL BASE 3GR DS ANGLAIS INOX	GRUNDPROFIL 3GR DS ENGLISCH STAHL
14	83770021R	KIT BASAMENTO 3GR DS TEDESCO INOX	ASS.BASE SURROUND 3GR DS GERMAN S.STEEL	ENS.PROFIL BASE 3GR DS ALLEMAND INOX	GRUNDPROFIL 3GR DS DEUTSCH STAHL
14	83770023R	KIT BASAMENTO 4GR DS INGLESE INOX	ASS.BASE SURROUND 4GR DS ENGLISH S.STEEL	ENS.PROFIL BASE 4GR DS ANGLAIS INOX	GRUNDPROFIL 4GR DS ENGLISCH STAHL
14	83770025R	KIT BASAMENTO 4GR DS TEDESCO INOX	ASS.BASE SURROUND 4GR DS GERMAN S.STEEL	ENS.PROFIL BASE 4GR DS ALLEMAND INOX	GRUNDPROFIL 4GR DS DEUTSCH STAHL
15	83770010R	KIT BASAMENTO 1GR ASD INGLESE INOX	ASS.BASE SURROUND 1GR ASD ENGLISH S.STEEL	ENS.PROFIL BASE 1GR ASD ANGLAIS INOX	GRUNDPROFIL 1GR ASD ENGLISCH STAHL
15	83770012R	KIT BASAMENTO 1GR ASD TEDESCO INOX	ASS.BASE SURROUND 1GR ASD GERMAN S.STEEL	ENS.PROFIL BASE 1GR ASD ALLEMAND INOX	GRUNDPROFIL 1GR ASD DEUTSCH STAHL
15	83770014R	KIT BASAMENTO 2GR ASD INGLESE INOX	ASS.BASE SURROUND 2GR ASD ENGLISH S.STEEL	ENS.PROFIL BASE 2GR ASD ANGLAIS INOX	GRUNDPROFIL 2GR ASD ENGLISCH STAHL
15	83770016R	KIT BASAMENTO 2GR ASD TEDESCO INOX	ASS.BASE SURROUND 2GR ASD GERMAN S.STEEL	ENS.PROFIL BASE 2GR ASD ALLEMAND INOX	GRUNDPROFIL 2GR ASD DEUTSCH STAHL
15	83770018R	KIT BASAMENTO 3GR ASD INGLESE INOX	ASS.BASE SURROUND 3GR ASD ENGLISH S.STEEL	ENS.PROFIL BASE 3GR ASD ANGLAIS INOX	GRUNDPROFIL 3GR ASD ENGLISCH STAHL
15	83770020R	KIT BASAMENTO 3GR ASD TEDESCO INOX	ASS.BASE SURROUND 3GR ASD GERMAN S.STEEL	ENS.PROFIL BASE 3GR ASD ALLEMAND INOX	GRUNDPROFIL 3GR ASD DEUTSCH STAHL
15	83770022R	KIT BASAMENTO 4GR ASD INGLESE INOX	ASS.BASE SURROUND 4GR ASD ENGLISH S.STEEL	ENS.PROFIL BASE 4GR ASD ANGLAIS INOX	GRUNDPROFIL 4GR ASD ENGLISCH STAHL
15	83770024R	KIT BASAMENTO 4GR ASD TEDESCO INOX	ASS.BASE SURROUND 4GR ASD GERMAN S.STEEL	ENS.PROFIL BASE 4GR ASD ALLEMAND INOX	GRUNDPROFIL 4GR ASD DEUTSCH STAHL
16	77691959	PROT.PULSANTIERA DS	TOUCH-PAD DS PROTECTION	PROTECTION CLAVIER DS	SCHUTZ BEDIENBLENDE DS

INDICE - INDEX - SOMMAIRE - VERZEICHNIS

rev.

ELGL-01

Impianto elettrico - Electrical system
Circuit électrique - Strom anlage

GLORIA

01
07/2009

ELGL-02

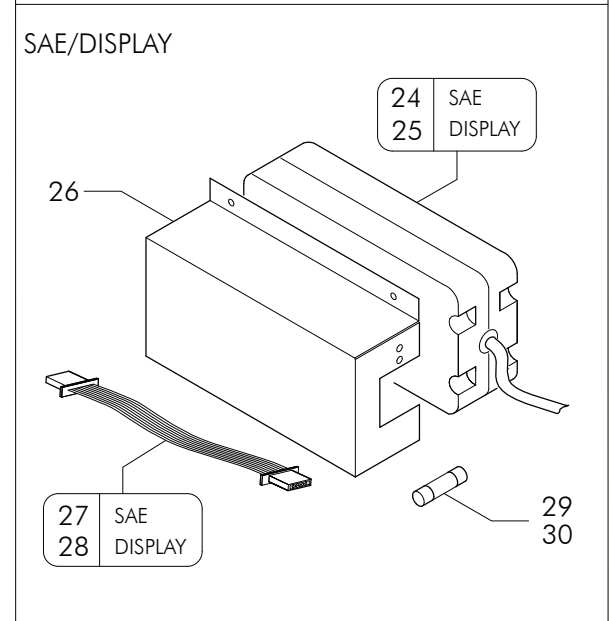
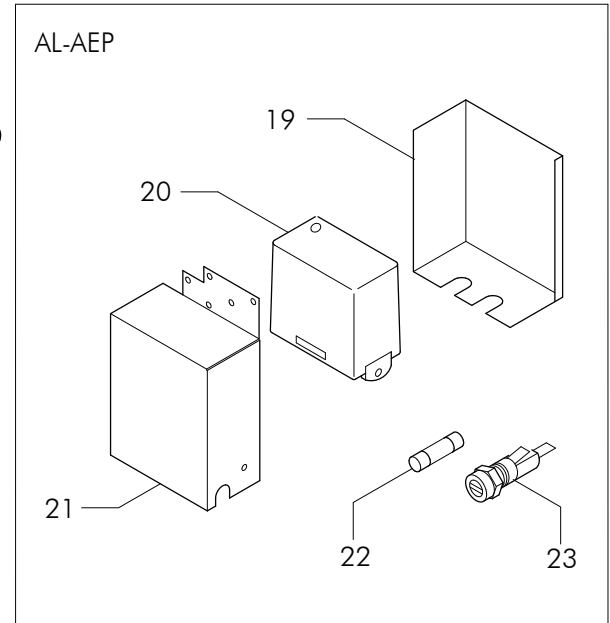
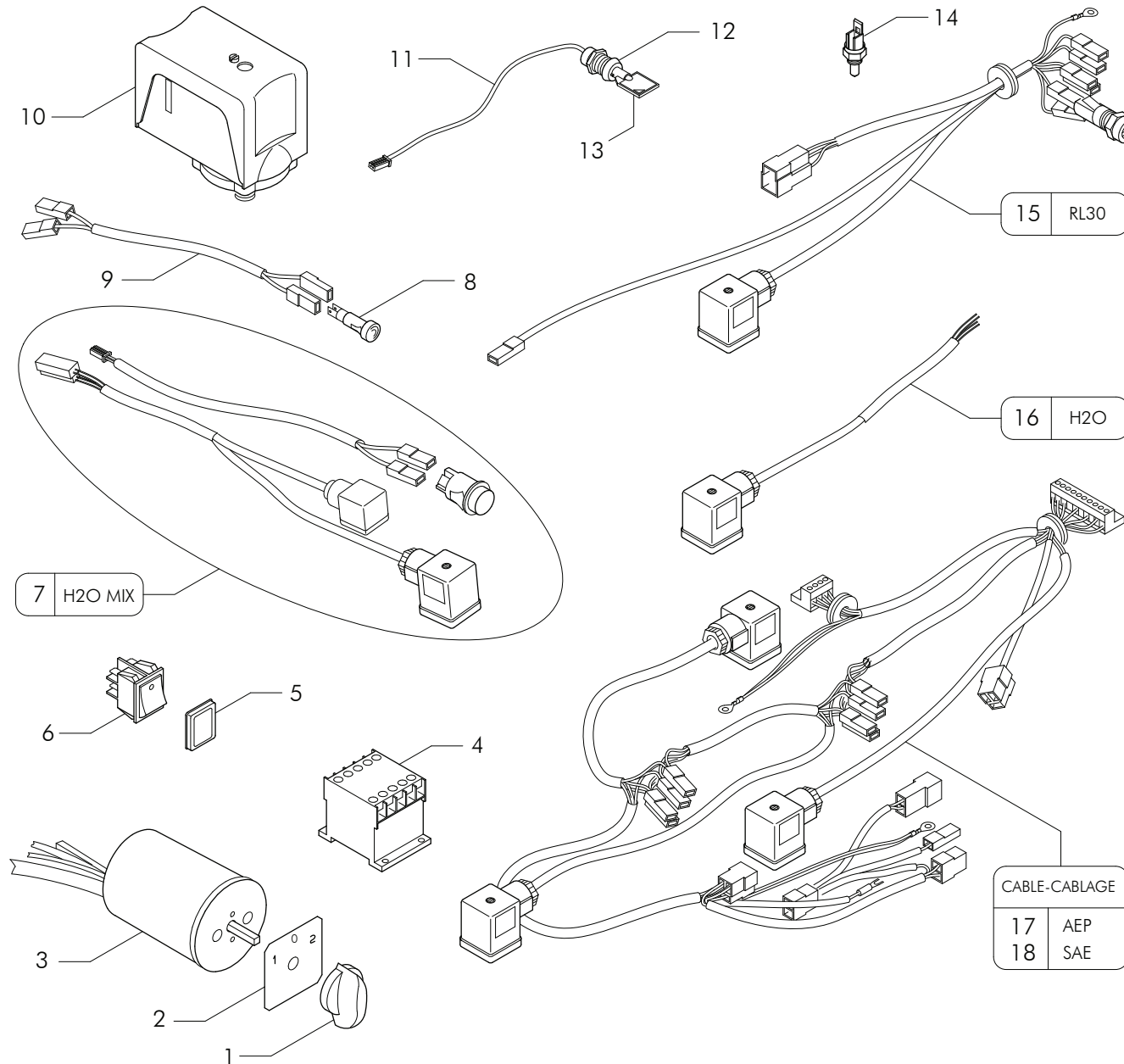
Scald tazze elettrico - Electrical cup heating
Chauffe-tasses électrique - Elektr. tassenwarmer

GLORIA

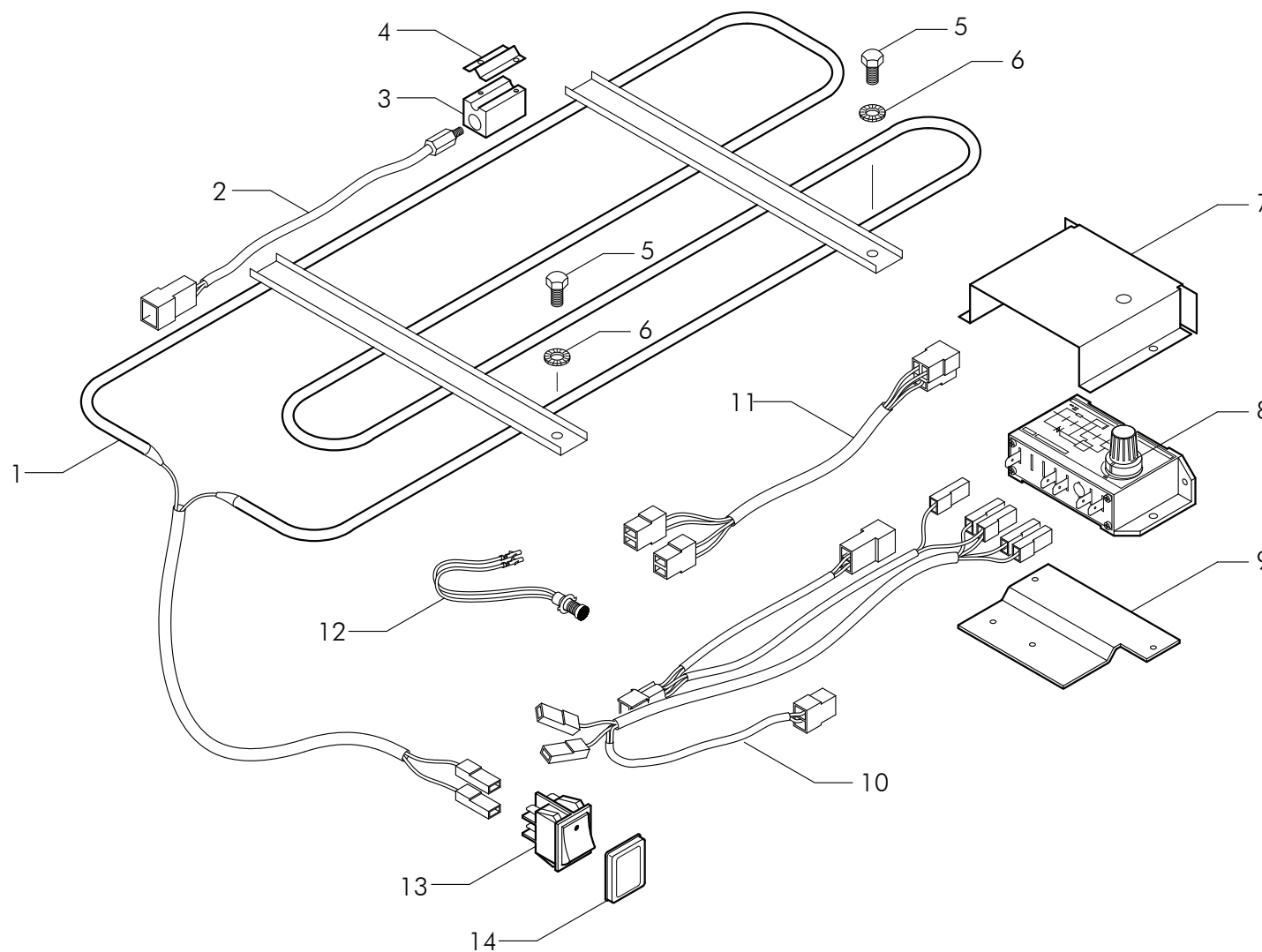
01
07/2009

Impianto elettrico
Electrical system
Circuit électrique
Strom-anlage

GLORIA



Pos	Cod.	Denominazione - IT -	Denomination - GB -	Denomination - FR -	Denomination - DE -
1	15271	MANOPOLA INTERRUOTORE GENERALE	MAIN SWITCH HAND GRIP	MANETTE INTERR. GENERAL	HAUPTSCHALTERGRIF
2	29067	ETICHETTA ADESIVA '1-0-2'NERO PLASTICO 58X58	ADHESIVE LABEL '1-0-2' BLACK PLASTI	ETIQ. ADHES. 1-0-2' NOIR PLASTIQUE	KLEBEETIKETTE '1-0-2'SCHWARZ PLAST
2	29068	ETICHETTA ADESIVA '0-1'NERO PLASTICO 58X58	PLASTIC ADHESIVE PLATE 0-1 58X58	PLAQUETTE ADHESIVE 0-1 58X58	KLEBESCHILD 0-1 58X58
3	18103	COMMUTATORE BREMAS A25.2 SCH.0408/7412	COMMUTATOR BREMAS A25.2	COMMUTATEUR BREMAS A25.2	UMSCHALTER BREMAS A25.2
3	18104	COMMUTATORE BREMAS A20.12 CS0177412.328	COMMUTATOR BREMAS A20.12	COMMUTATEUR BREMAS A20.12	UMSCHLATER BREMAS A20.12
3	18105	COMMUTATORE BREMAS A32.12 CS0257412.288	COMMUTATOR BREMAS A32.12	COMMUTATEUR BREMAS A32.12	UMSCHALTER BREMAS A32.12
3	18200	INTERRUTTORE BREMAS A20.02 CA0170002.328	BREMAS SWITCH A20.02	INTERRUPTEUR BREMAS A20.02	BREMAS SCHALTER A20.02
3	18201	INTERRUTTORE BREMAS A20.03 CA0170003.328	BREMAS SWITCH A20.03	INTERRUPTEUR BREMAS A20.03	BREMAS SCHALTER A20.03
3	18202	INTERRUTTORE BREMAS A25.03	BRAMAS SWITCH A25.03	INTERRUPTEUR BREMAS A25.03	BREMAS SCHALTER A25.03
3	18203	INTERRUTTORE BREMAS A25.02	BRAMAS SWITCH A25.02	INTERRUPTEUR BREMAS A25.02	BREMAS SCHALTER A25.02
3	18205	INTERRUTTORE BREMAS A20.04 CA0170004.328	BREMAS SWITCH A20.04	INTERRUPTEUR BREMAS A20.04	BREMAS SCHALTER A20.04
3	18206	INTERRUTTORE BREMAS A32.02 CA0250002.288	BREMAS SWITCH A32.02	INTERRUPTEUR BREMAS A32.02	BREMAS SCHALTER A32.02
3	18207	INTERRTORE BREMAS A32.03 CA0250003.288	BREMAS SWITCH A32.03	INTERRUPTEUR BREMAS A32.03	BREMAS SCHALTER A32.03
3	18208	INTERRUTTORE BREMAS A32.04 CA0250004.288	BREMAS SWITCH A32.04	INTERRUPTEUR BREMAS A32.04	BREMAS SCHALTER A32.04
4	20299	TELERUTTORE TETRAPOLARE 220V	REM.CONTR.SWITCH 220V	TELERUPTEUR 220V	FERNSCHALTER 220V
5	19049	COPERTURA INTERRUOTORE	SWITCH COVER	PROTECTION INTERRUPTEUR	SCHALTER ABD.
6	18263	INTERRUTTORE BIP. NERO LED LUMIN.ROSSO	BIP. LUMIN. BLACK SWITCH	INTER.BIP.LUMIN. NOIR	ZWEIP.SCHALTER M. SCHWARZ LEUCHE
7	22719019	CABLAGGIO H20/MIX SAE 2>3GR	CABLING H20/MIX SAE 1-3 UNITS	CABLE EAU/MIX SAE 1-3GR DV/AR	VERLABELUNG H20/MIX SAE 1-3 GR.
8	21011	LAMPADA SPIA VERDE 220V	220V GREEN INDICATOR LIG	AMPOULE TEMOIN VERT 220V	KONTROLLEUCHE GRÜN 220V
9	227181	CABLAGGIO PROLUNGA LAMPADINA	WIRING FOR LAMP	CABLE PROLONGE LAMPE	VERDRAHTUNG LAMPE
10	20150	PRESSOSTATO SECCO SIRAI P302/6 30A	SIRAI P302/6 DRY PRESSURE SWITCH	PRESSOSTAT SEC SIRAI P302/6	TROCKENDRUCKWÄCHTER SIRAI P302/6
11	22723023	CAVO L.70 X INTERRUOTORE PROGRAMMAZIONE	CABLE L.70 KEY PROGRAMM SWITCH	CABLE L.70 POUR INT.PROGRAMMATION	KABEL L.70 FUR PROGRAMM SCHALTER
12	22723022	INTERRUTTORE PROGRAMMAZIONE A CHIAVE	PROGRAMM SWITCH	INTER. PROGRAMMATION	PROGRAMM SCHALTER
13	28410009	CHIAVI PROGRAMMAZIONE	KEYS TO PROGRAM	CLE PROGRAMMATION	PROGRAMMIERSCHLUESSEL
14	20306	TERMOSTATO SONDA NTC ES 13	THERMOSTAT NTC ES 13	THERMOSTAT NTC ES 13	TERMOSTAT NTC ES 13
15	22858	CABLAGGIO AEA 1-4GR	CABLE A.W.R. 1-4GR	CABLAGE R.E.A. 1-4GR	VERDRAHTUNG A.W.F.1-4GR
16	22719	CABLAGGIO THE AUT.SAE/EVD PG9 1>4GR	CABLE X AUTOM.TEA *EVD* 2-3GR	CABLAGE X TE AUTOM.*EVD* 2-3GR	VERDRAHT.XAUT.TEE *EVD* 2-3GR
17	227701	CABLAGGIO AEP/1 + JUNIOR NEW	AEP/1 + JUNIOR NEW WIRING	CABLAGE AEP/1 + JUNIOR NEW	VERKABELUNG AEP/1 + JUNIOR NEW
17	227702	CABLAGGIO AEP/2 NEW	AEP/2 NEW CABLING	CABLAGE AEP/2 NEW	VERKABELUNG AEP/2 NEW
17	227703	CABLAGGIO AEP/3 NEW	AEP/3 NEW CABLING	CABLAGE AEP/3 NEW	VERKABELUNG AEP/3 NEW
17	227704	CABLAGGIO AEP/4 NEW	AEP/4 NEW CABLING	CABLAGE AEP/4 NEW	VERDRAHTUNG AEP/4 NEW
18	22803011	CABLAGGIO SAE/1	SAE/1 CABLING	CABLAGE SAE/1	VERKABELUNG SAE/1
18	22803012	CABLAGGIO SAE/2	SAE/2 CABLING	CABLAGE SAE/2	VERKABELUNG SAE/2
18	22803013	CABLAGGIO SAE/3	SAE/3 CABLING	CABLAGE SAE/3	VERKABELUNG SAE/3
18	22803014	CABLAGGIO SAE/4	SAE/4 CABLING	CABLAGE SAE/4	VERKABELUNG SAE/4
19	77691F	PROTEZIONE CENTRALINA RL30	RL30 GEARCASE PROTECTION	PROTECTION RL30	SCHUTZGITTER RL30
20	18080001	REGOLATORE LIVELLO RL30/TIMEOUT 220/240V	LEVEL CONTROL RL30/TIMEOUT 220/240V	CONTROLE NIVEAU RL30/TIMEOUT 220/240V	WASSERNIVEAUREGLER RL30/TO 220/240V
20	18081001	REGOLATORE LIVELLO RL30/TIMEOUT 120V	LEVEL CONTROL RL30/TIMEOUT 120V	CONTROLE NIVEAU RL30/TIMEOUT 120V	WASSERNIVEAUREGLER RL30/TO 120V
21	78200	SUPPORTO AEA RL30	AWR BEARING RL30XALL MODUL.FRAMES	SUPPORT REA RL30 POUR TOUS CHASSIS	AWF HALTER RL30XFUR ALLE MOD.RAHMEN
22	19101	FUSIBILE 5X20 2A	FUSE OMEGA 5X20 2A	FUSIBLE OMEGA 5X20 2A	SCHMELZSICH.OMEGA 5X20 2A
23	19122	PORTAFUSIBILE 6.3A 250V	FUSE HOLDER 6.3A 250V	PORTE-FUSIBLE 6.3A 250V	SICHERUNGSHALTER 6.3A 250V
24	18090048	CENTRALINA 1-3GR SB/GL 230V "2004" PLUS1	CONTROL BOX 1-3GR SB/GL 230V "2004" PLUS1	CENTRALE 1/3 230V "2004" PLUS1	MIKROP. STEUERUNG 1-3 GRUPPIG 230V PLUS1
25	18090080	CENTRALINA 1-4GR 230V PLUS2	GEARCASE 1-4 GR 230V PLUS2	CENTRALE 1-4GR. 230V PLUS2	STEUERUNG 1-4GR 230V DISPLAY AUTOM.DAMPF NO LCL PL
26	78151	SUPPORTO CENTRALINA SAE	CONTROL UNIT SUPPORT SAE FRAME A/W	SUPPORT CENTRALE SAE CHASSIS AW	STEUERUNG-HALTER SAE RAHMEN A/W
27	22627	CAVO PULSANTIERA 10 POLI 80CM	80 CM CONNECTOR FOR P.BUTTON PANEL	CABLE CLAVIER 10 POLES 80 CM	KABEL BEDIENBL. 10 POLIG 80CM
27	22628	CAVO PULSANTIERA 10 POLI 140CM	140 CM CABLE FOR P.BUTTON PANEL	CABLE CLAVIER 10 POLES 140 CM	KABEL BEDIENBL. 10 POLIG 140CM
28	22554007	CAVO MULTIVIE DISPLAY SP/PR/GL L=140	RIBBON CABLE DISPLAY L*140	CABLAGE DISPLAY L=140	KABEL DISPLAY GL
29	19104	FUSIBILE OMEGA 5X20 T-10A	FUSE OMEGA 5X20 T-10A	FUSIBLE OMEGA 5X20 T-10A	SCHMELZSICHERUNG OMEGA 5X20 T-10A
30	19106	FUSIBILE OMEGA 5X20 T-500MA	FUSE OMEGA 5X20 T-500MA	FUSIBLE OMEGA 5X20 T-500MA	SCHMELZSICHERUNG OMEGA 5X20 T-500MA



KIT	
15	1GR
16	2GR
17	3GR
18	4GR
AEP	
19	1GR
20	2GR
21	3GR
22	4GR
SAE	

Pos	Cod.	Denominazione - IT -	Denomination - GB -	Denomination - FR -	Denomination - DE -
1	17019003	RESISTENZA 230V 100W SCTE	HEATING ELEMENT 1GR 230V 100W	RESISTANCE 1GR 230V 100W	WIDERSTAND 1GR 230V 100W
1	17019004	RESISTENZA 120V 100W SCTE	HEATING ELEMENT 1GR 120V 100W	RESISTANCE 1GR 120V 100W	WIDERSTAND 1GR 120V 100W
1	17020	RESISTENZA 2GR 120V 200W	HEATING ELEMENT 2GR 120V 200W	RESISTANCE 2GR 120V 200W	WIDERSTAND 2GR 120V 200W
1	17022	RESISTENZA 2GR 230V 200W	HEATING ELEMENT 2GR 230V 200W	RESISTANCE 2GR 230V 200W	WIDERSTAND 2GR 230V 200W
1	17023	RESISTENZA 3GR 230V 250W	HEATING ELEMENT 3GR 230V 250W	RESISTANCE 3GR 230V 250W	WIDERSTAND 3GR 230V 250
1	17024	RESISTENZA 4GR 230V 300W SCTE	HEATING ELEMENT 4GR 230V 300W	RESISTANCE 4GR 230V 300W	HEIZKORPER 4GR 230V 300W
2	20306000	SONDA NTC K100 ES 13 SCTE SB	PROBE NTC K100 ES 13	SONDE NTC K100 ES 13	SONDE NTC K100 ES 13
3	25338000	BLOCCHETTO SONDA NTC SCTE SB	PROBE BLOCK NTC	BLOC SONDE NTC	SONDE ANSCHLAG NTC
4	77583100	STAFFA BLOCCH.SONDA SCTE SB/VE	BLOCK BRACKET	ETRIER BLOC	ANSCHLAG BUGEL
5	23402	VITE TE INOX 4X10 #	STEEL SCREW TE 4X10	VIS INOX TE 4X10	STAHLSCHRAUBE TE 4X10
6	23261	RONDELLA INOX DENTELLATA D4 #	INDENTED STAINLESS WASHER D4	RONDELLE DENTELEE INOX D 4	GEZACKTE STAHLSCHEIBE D4
7	77692224	PROT.REGOLATORE TEMPERATURA SCTE	THERMOSTAT GUARD	PROTECTEUR THERMOSTAT	ABDECKUNG THERMOSTAT
8	18090039	REGOLATORE TEMP.ELETTR.SCTE 120V	THERMOSTAT 120V	THERMOSTAT 120V	THERMOSTAT 120V
8	18090040	REGOLATORE TEMP.ELETTR.SCTE 230V	THERMOSTAT 230V	THERMOSTAT 230V	THERMOSTAT 230V
9	78206405	SUPPORTO REGOLATORE SCTE	THERMOSTAT SUPPORT	SUPPORT THERMOSTAT	THERMOSTAT SUPPORT
10	22717920	CABLAGGIO SCTE GLORIA	ELECTR.CUP HEAT.WIRING	CABLE CHAUFFE-TASSES ELEC.	ELEKTR.VERKABELUNG TASSENWARMER
11	227178	CABLAGGIO SDOPPIATORE USCITA	CABLE CONNECTION	CABLAGE JONCTION	VERDRAHTUNG VERBINDUNG
12	21023	LAMPADA SPIA ROSSA SIG.24217000A1 230V	RED PILOT LIGHT SIG.24217000A1 230V	LAMPE TEMOIN ROUGE SIG.24217000A1 230V	ROTE KONTROLLEUCHETE SIG.24217000A1 230V
13	18263	INTERRUTTORE BIP. NERO LED LUMIN.ROSSO	BIP. LUMIN. BLACK SWITCH B438C1100G000	INTER.BIP.LUMIN. NOIR B438C1100G000	ZWEIP.SCHALTER M. SCHWARZ LEUCHETE B438C1
14	19049	COPERTURA INTERRUTTORE B4	SWITCH COVER B4	PROTECTION INTERRUPTEUR	SCHALTER ABD. B4
15	80123025	KIT SCALDATAZZE AEP/1 CTS 120V	ELECTR. CUP HEATING AEP/1 CTS 120V	CHAUFFE-TASSES ELEC. AEP/1 CTS 120V	ELEKTR. TASSENWARMER AEP/1 CTS 120V
15	80123026	KIT SCALDATAZZE AEP/1 CTS 230V	ELECTR. CUP HEATING AEP/1 CTS 230V	CHAUFFE-TASSES ELEC. AEP/1 CTS 230V	ELEKTR. TASSENWARMER AEP/1 CTS 230V
16	80123027	KIT SCALDATAZZE AEP/2 CTS 120V	ELECTR. CUP HEATING AEP/2 CTS 120V	CHAUFFE-TASSES ELEC. AEP/2 CTS 120V	ELEKTR. TASSENWARMER AEP/2 CTS 120V
16	80123028	KIT SCALDATAZZE AEP/2GR CTS 230V	ELECTR. CUP HEATING AEP/2 CTS 230V	CHAUFFE-TASSES ELEC. AEP/2 CTS 230V	ELEKTR. TASSENWARMER AEP/2 CTS 230V
17	80123029	KIT SCALDATAZZE AEP/3 CTS 230V	ELECTR. CUP HEATING AEP/3 CTS 230V	CHAUFFE-TASSES ELEC. AEP/3 CTS 230V	ELEKTR. TASSENWARMER AEP/3 CTS 230V
18	80123030	KIT SCALDATAZZE AEP/4 CTS 230V	ELECTR. CUP HEATING AEP/4 CTS 230V	CHAUFFE-TASSES ELEC. AEP/4 CTS 230V	ELEKTR. TASSENWARMER AEP/4 CTS 230V
19	80123031	KIT SCALDATAZZE SAE/1 CTS 120V	ELECTR. CUP HEATING SAE/1 CTS 120V	CHAUFFE-TASSES ELEC. SAE/1 CTS 120V	ELEKTR. TASSENWARMER SAE/1 CTS 120V
19	80123032	KIT SCALDATAZZE SAE/1 CTS 230V	ELECTR. CUP HEATING SAE/1 CTS 230V	CHAUFFE-TASSES ELEC. SAE/1 CTS 230V	ELECTR. TASSENWARMER SAE/1 CTS 230V
20	80123033	KIT SCALDATAZZE SAE/2 CTS 120V	ELECTR. CUP HEATING SAE/2 CTS 120V	CHAUFFE-TASSES ELEC. SAE/2 CTS 120V	ELEKTR. TASSENWARMER SAE/2 CTS 120V
20	80123034	KIT SCALDATAZZE SAE/2 CTS 230V	ELECTR. CUP HEATING SAE/2 CTS 230V	CHAUFFE-TASSES ELEC. SAE/2 CTS 230V	ELEKTR. TASSENWARMER SAE/2 CTS 230V
21	80123035	KIT SCALDATAZZE SAE/3 CTS 230V	ELECTR. CUP HEATING SAE/3 CTS 230V	CHAUFFE-TASSES ELEC. SAE/3 CTS 230V	ELEKTR. TASSENWARMER SAE/3 CTS 230V
22	80123036	KIT SCALDATAZZE SAE/4 CTS 230V	ELECTR. CUP HEATING SAE/4 CTS 230V	CHAUFFE-TASSES ELEC. SAE/4 CTS 230V	ELEKTR. TASSENWARMER SAE/4 CTS 230V

RGL

INDICE - INDEX - SOMMAIRE - VERZEICHNIS

rev.

RGL-01

Rubinetti VAPORE - Taps STEAM
Robinets VAPEUR - DAMPFHAHN

00
10/2004

RGL-02

Rubinetti ACQUA - Taps WATER
Robinets EAU - WASSERHAHN

00
10/2004

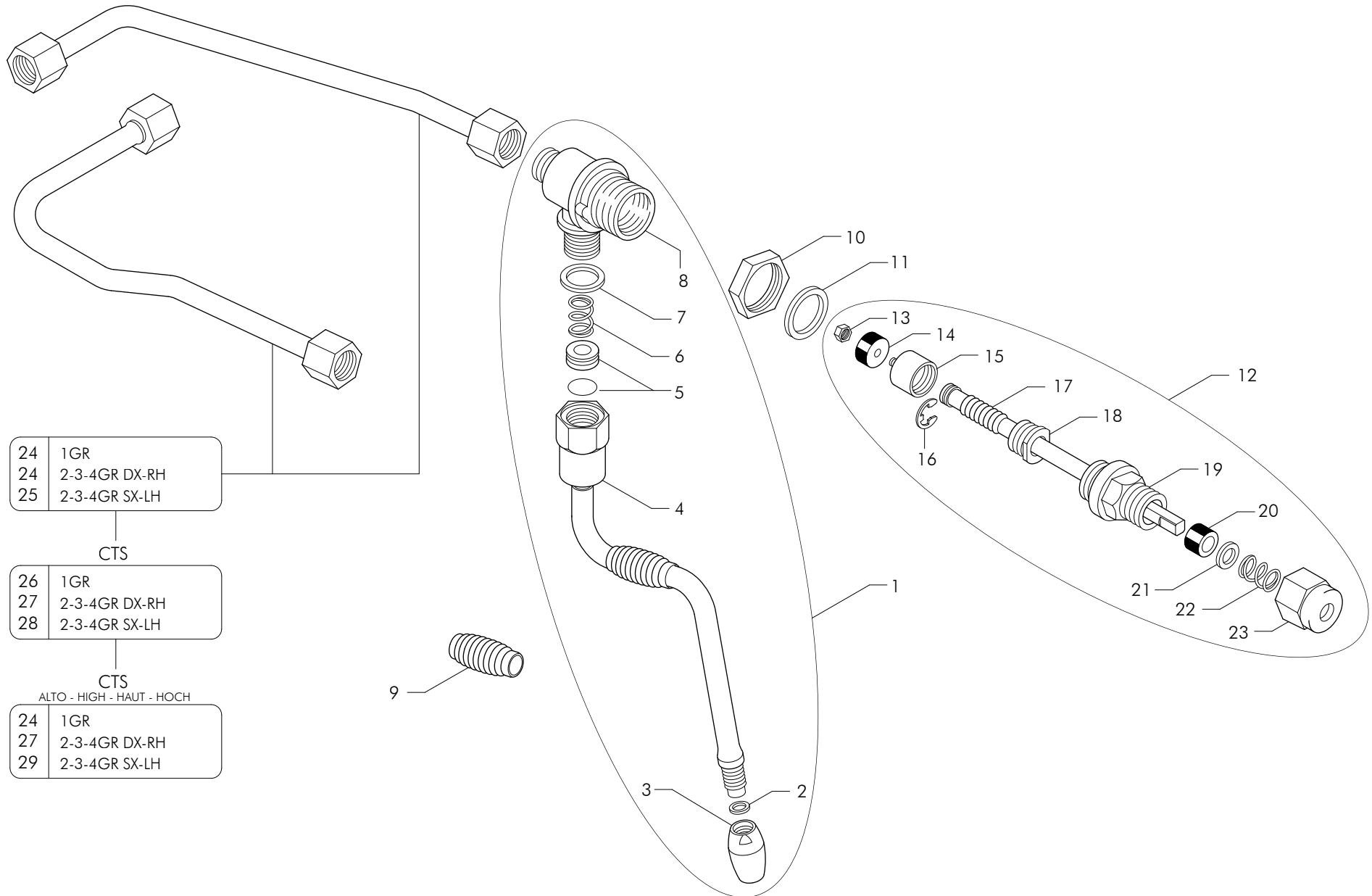
Rubinetti
acqua e vapore

Water and steam
taps

Robinets
eau et vapeur

Wasser-dampfhahn

GLORIA



24	1GR
24	2-3-4GR DX-RH
25	2-3-4GR SX-LH

CTS

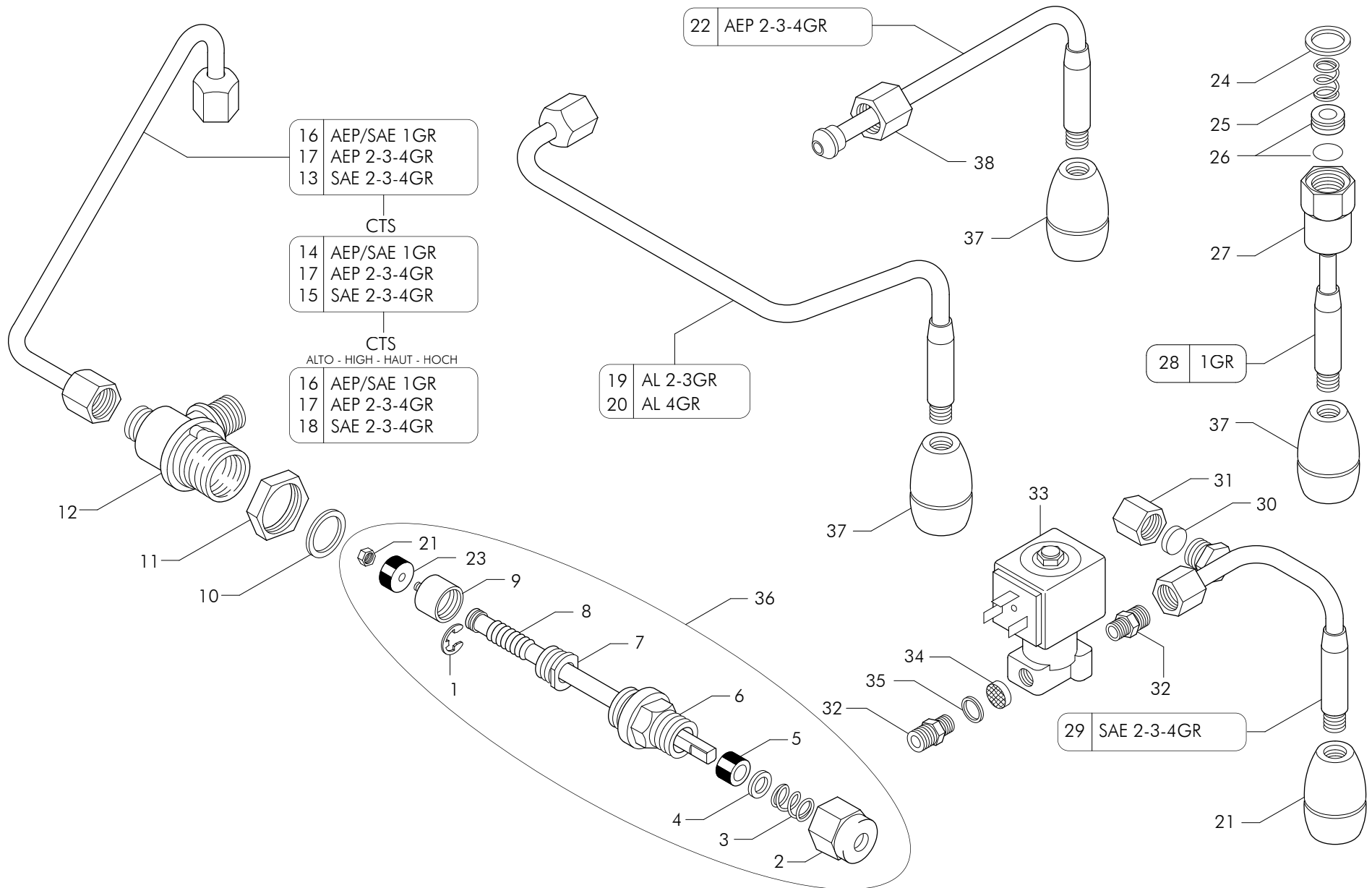
26	1GR
27	2-3-4GR DX-RH
28	2-3-4GR SX-LH

CTS

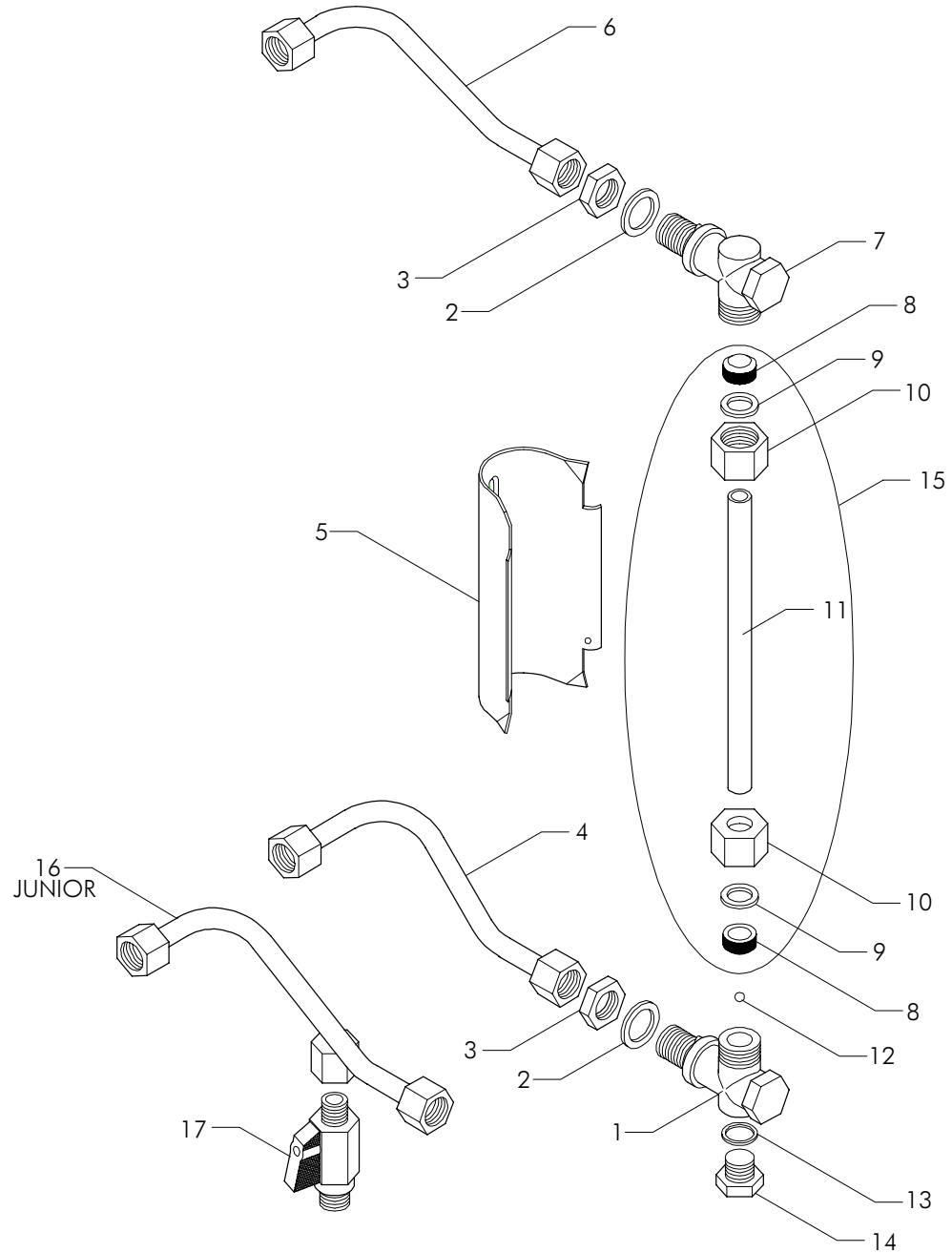
ALTO - HIGH - HAUT - HOCH

24	1GR
27	2-3-4GR DX-RH
29	2-3-4GR SX-LH

Pos	Cod.	Denominazione - IT -	Denomination - GB -	Denomination - FR -	Denomination - DE -
1	56119165	ASS.TUBO VAPORE	STEAM PIPE ASSEMBLY	TUYAU VAPEUR	DAMPFROHRSATZ
2	12662	GUARNIZIONE ALL.SPRUZZATORE VAP.INX	ALUM.SEAL FOR ST.STEEL STEAM	JOINT ALU GICLEUR VAP. INOX D.10	ALUMINIUMDICHT.DAMPFSTR.EDELSTAHL D.10
3	25763004	SPRUZZ. VAPORE INOX WE X TUBO D.10	S.STEEL STEAM SPRAYER D.10	PULVERISATEUR VAPEUR D.10	INNENSPRITZDUSE D.10
4	25391	DADO CANNA VAP/H2O X MOLLA CROMATO	NUT PIPE WATER/STEAM FOR SPRING	ECROU TUYAU VAPEUR/EAU POUR RESSORT	WASSER/DAMPF ROHRMUTTER FUR FEDER
5	12661	GUARNIZIONE OR CON LUNETTA P.MOLLA	OR REST FOR ST.STEEL STEAM PIPE	OR LUNETTE P.RESSORT TUYAU VAP.	HALBE OR-DICHT.F.FEDER DAMPFROHR ED
6	10465	MOLLA DE 11,5 DF1,5 AISI 302 DV/SP	STAINLESS ST.STEAM PIPE SPRING	RESSORT TUYAU VAP. INOX D.10	FEDER DAMPFROHR EDELSTAHL D. 10
7	12010	GUARNIZIONE TEFLON X H2O/VAP 21X17X2	W/S PIPE GASKET TEFLON 21X17X2	JOINT TUYAU TEFLON EAU/VAP TEFLON	TEFLON-DICHTUNG X H2O/VAP 21X17X2 CNN
8	53003	CORPO RUBINETTO	TAP BODY	CORPS DE ROBINET	HAHNKÖRPER
9	15296001	GOMMINO ANTISCOT.RA X TUBO VAP.D10	ANTI-BURNING RUBBER EL. FOR STEAM	ELEMENT ANTI-BRULURE POUR TUYAU VAP.	GUMMI GEGEN VERBENNUNGEN F. DAMPFROHR D
10	25384	DADO OTTONE M26X1.5	BRASS NUT 26X1.5	ECROU LAITON 26X1.5	MESSING-MUTTER 26X1.5
11	12158	GUARNIZIONE CU RUB.26X20.5X2	26X20.5X2 COPPER SEAL	JOINT CUIVRE 3/8 22X17X1.5	KUPFERDICHTUNG 3/8 22X17X1.5
12	561041	ASSIEME RUBINETTO ACQUA/VAPORE	WATER/STEAM TAP UNIT	ENSEMBLE ROBINET EAU/VAPEUR	WASSER/DAMPF ROHRSATZ
13	23050	DADO OTTONE M3 UNI 5587	BRASS NUT M3 UNI 5587	ECROU LAITON M3 UNI 5587	MESSING-MUTTER M3 UNI 5587
14	12203	GUARNIZIONE GOMMA 15X4X4	RUBBER GASKET 15X4X4	JOINT EN CAOUTCHOUC 15X4X4	GUMMIDICHTUNG 15X4X4
15	25616	PISTONCINO RUBINETTO	TAP JUMPER	PISTON ROBINET	HAHNKOLBEN
16	10001	ANELLO ARRESTO D6 INOX 316 DIN 6799	STEEL CIRCLIP 316 DIN 6799	CIRCLIP INOX 316 DIN 6799	STAHLHALTENRING 316 DIN 6799
17	25312	ASTA RUBINETTO CROMATA L139	CHROMED TAP SHAFT	TIGE ROBINET CHROME	HAHNSTANGE CHROM
18	25461	GHIERA RUBINETTO	TAP RING NUT	EMBOUT ROBINET	HAHNZWINGE
19	25678001	RACCORDO RUBINETTO	TAP FITTING	RACCORD ROBINET	HAHNANSCHLUSSTUCK
20	12204	GUARNIZIONE GOMMA RUBINETTO H2O/VAP	W/S TAP RUBBER GASKET 12.5X7.5X9	JOINT CAOUTCHOUC ROB. EAU/VAP	HAHNDICHTUNG W/D 12.5X7.5X9
21	25655	RONDELLA RUBINETTO	TAP WASHER	RONDELLE ROBINET	HAHNSCHEIBE
22	10452	MOLLA RUBINETTO H2O/VAPORE N4	WATER/STEAM TAP SPRING N4	RESSORT DE ROBINET EAU-VAPEUR N4	WASSER/DAMPF HAHNFEDER N4
23	25385	DADO PREMISTOPPA RUBINETTO	TAP STUFFING NUT	ECROU DE PRESSE-ETOUPE ROBINET	STOPFBUCHSE MUTTER - HAHN
24	52000443	TUBO D-10 L.270 ESTR. GL44	TUBE D-10 L.270 GL44	TUYAU D-10 L.270 GL44	ROHR D-10 L.270 GL44
25	52000450	TUBO D-8 L.390 ESTR.1GR GL51	TUBE D-8 L.390 GL51	TUYAU D-8 L.390 GL51	ROHR D-8 L.390 GL51
26	52000416	TUBO D-10 L.270 AEP-SAE/1GR GL17	TUBE D-10 L.270 GL17	TUYAU D-10 L.270 GL17	ROHR D-10 L.270 GL17
27	52000407	TUBO D-10 L.280 AEP-SAE/2GR GL8	TUBE D-10 L.280 GL8	TUYAU D-10 L.280 GL8	ROHR D-10 L.280 GL8
28	52000406	TUBO D-10 L.310 AEP-SAE/2GR GL7	TUBE D-10 L.310 GL7	TUYAU D-10 L.310 GL7	ROHR D-10 L.310 GL7
29	52000439	TUBO D-10 L.350 AEP-SAE/2GR GL40	TUBE D-10 L.350 GL40	TUBE D-10 L.350 GL40	ROHR D-10 L.350 GL40



Pos	Cod.	Denominazione - IT -	Denomination - GB -	Denomination - FR -	Denomination - DE -
1	10001	ANELLO ARRESTO D6 INOX 316 DIN 6799	STEEL CIRCLIP 316 DIN 6799	CIRCLIP INOX 316 DIN 6799	STAHLHALTENRING 316 DIN 6799
2	25385	DADO PREMISTOPPA RUBINETTO	TAP STUFFING NUT	ECROU DE PRESSE-ETOUPE ROBINET	STOPFBUCHSE MUTTER - HAHN
3	10452	MOLLA RUBINETTO H20/VAPORE N4	WATER/STEAM TAP SPRING N4	RESSORT DE ROBINET EAU-VAPEUR N4	WASSER/DAMPF HAHNFEDER N4
4	25655	RONDELLA RUBINETTO	TAP WASHER	RONDELLE ROBINET	HAHNSCHEIBE
5	12204	GUARNIZIONE GOMMA RUBINETTO H20/VAP	W/S TAP RUBBER GASKET 12.5X7.5X9	JOINT CAOUTCHOUC ROB. EAU/VAP	HAHNDICHTUNG W/D 12.5X7.5X9
6	25678001	RACCORDO RUBINETTO	TAP FITTING	RACCORD ROBINET	HAHNANSCHLUSSTUCK
7	25461	GHIERA RUBINETTO	TAP RING NUT	EMBOUT ROBINET	HAHNZWINGE
8	25312	ASTA RUBINETTO CROMATA L139	CHROMED TAP SHAFT	TIGE ROBINET CHROME	HAHNSTANGE CHROM
9	25616	PISTONCINO RUBINETTO	TAP JUMPER	PISTON ROBINET	HAHNKOLBEN
10	12158	GUARNIZIONE CU RUB.26X20.5X2	26X20.5X2 COPPER SEAL	JOINT CUIVRE 3/8 22X17X1.5	KUPFERDICHTUNG 3/8 22X17X1.5
11	25384	DADO OTTONE M26X1.5	BRASS NUT 26X1.5	ECROU LAITON 26X1.5	MESSING-MUTTER 26X1.5
12	53003	CORPO RUBINETTO	TAP BODY	CORPS DE ROBINET	HAHNKÖRPER
13	52000410	TUBO D-6 L.85 AEP-SAE/2GR GL11	TUBE D-6 L.85 GL11	TUYAU D-6 L.85 GL11	ROHR D-6 L.85 GL11
14	52000418	TUBO D-8 L.245 AEP-SAE/1GR GL19	TUBE D-8 L.245 GL19	TUYAU D-8 L.245 GL19	ROHR D-8 L.245 GL19
15	52000409	TUBO D-8 L.265 SAE/2GR GL10	TUBE D-8 L.265 GL10	TUYAU D-8 L.265 GL10	ROHR D-8 L.265 GL10
16	52000450	TUBO D-8 L.390 ESTR.1GR GL51	TUBE D-8 L.390 GL51	TUYAU D-8 L.390 GL51	ROHR D-8 L.390 GL51
17	52000408	TUBO D-8 L.330 AEP/2GR GL9	TUBE D-8 L.330 GL9	TUYAU D-8 L.330 GL9	ROHR D-8 L.330 GL9
18	52000441	TUBO D-8 L.305 SAE/2GR GL42 GR.RI.	TUBE D-8 L.305 GL42	TUYAU D-8 L.305 GL42	ROHR D-8 L.305 GL42
19	52000447	TUBO D-8 L.430 GL48	TUBE D-8 L.430 GL48	TUYAU D-8 L.430 GL48	ROHR D-8 L.430 GL48
20	52000448	TUBO D-8 L.430 GL48	TUBE D-8 L.430 GL49	TUYAU D-8 L.430 GL49	ROHR D-8 L.430 GL49
21	23050	DADO OTTONE M3 UNI 5587	BRASS NUT M3 UNI 5587	ECROU LAITON M3 UNI 5587	MESSING-MUTTER M3 UNI 5587
22	52000421	TUBO D-8 L.45 H2O AEP-SAE/1 GL22	TUBE D-8 L.45 GL22	TUYAU D-8 L.45 GL22	ROHR D-8 L.45 GL22
23	12203	GUARNIZIONE GOMMA 15X4X4	RUBBER GASKET 15X4X4	JOINT EN CAOUTCHOUC 15X4X4	GUMMIDICHTUNG 15X4X4
24	12010	GUARNIZIONE TEFLON X H20/VAP 21X17X2	W/S PIPE GASKET TEFLON 21X17X2	JOINT TUYAU TEFLON EAU/VAP TEFLON	TEFLON-DICHTUNG X H20/VAP 21X17X2 CNN
25	10465	MOLLA DE 11,5 DF1,5 AISI 302 DV/SP	STAINLESS ST.STEAM PIPE SPRING	RESSORT TUYAU VAP. INOX D.10	FEDER DAMPFROHR EDELSTAHL D. 10
26	12661	GUARNIZIONE OR CON LUNETTA P.MOLLA	OR REST FOR ST.STEEL STEAM PIPE	OR LUNETTE P.RESSORT TUYAU VAP. INO	HALBE OR-DICHT.F.FEDER DAMPFROHR ED
27	25391	DADO CANNA VAP/H2O X MOLLA CROMATO	NUT PIPE WATER/STEAM FOR SPRING	ECROU TUYAU VAPEUR/EAU POUR RESSORT	WASSER/DAMPF ROHRMUTTER FUR FEDER
28	52000411	TUBO D-8 L.205 AEP/2 GL12	TUBE D-8 L.205 GL12	TUYAU D-8 L.205 GL12	ROHR D-8 L.205 GL12
29	52000412	TUBO D-8 L.130 SAE/2 GL12	TUBE D-8 L.130 GL13	TUYAU D-8 L.130 GL13	ROHR D-8 L.130 GL13
30	12007	GUARNIZIONE KLINGERSIL4400	KLINGERSIL4400 COPPER SEAL	JOINT KLINGERSIL4400 POUR BOUCHON	DICHTUNG KLINGER SIL4400 X DECKEL
31	25782	TAPPO FEMMINA 1/4 GAS	1/4 GAS FEMALE TAP	BOUCHON FEMELLE 1/4 GAZ	INNENANSCHLUSSTÖPSEL 1/4 GAS
32	25707	RACCORDO 1/8X1/4	CONNECTOR 1/8X1/4	RACCORD 1/8X1/4	ANSCHLUSS 1/8X1/4
33	18162002	ELETTRORVALVOLA 230V AEA VDE	SOL.VALVE WATER REFILL 230V PARKER	ELECTROVANNE REA 230V PARKER	ELEKTROVENTIL AWZ 230V PARKER
33	18195	ELETTRORVALVOLA 120V VE140.2IR VDE/UL	SOLENOID VALVE SC2M 2/2 110V 60HZ	ELECTROVANNE SC2M 2/2 110V 60HZ	MAGNETVENTIL SC2M 2/2 110V 60HZ
34	10251001	FILTRO IN ACCIAIO D-8 SP.0,3	STEEL FILTER D-8 - 0.3 THICK	FILTRE EN ACIER D-8 EP.0,3	STAHLFILTER D-8 SP.0,3
35	12155	GUARNIZIONE CU 8.5X5X1	COPPER GASKET 8.5X5X1	JOINT CU 8.5X5X1	CU DICHTUNG 8.5X5X1
36	561041	ASSIEME RUBINETTO ACQUA/VAPORE	WATER/STEAM TAP UNIT	ENSEMBLE ROBINET EAU/VAPEUR	WASSER/DAMPF ROHRSATZ
37	25763002	SPRUZZATORE H2O INOX FISSO	S.STEEL WATER NOZZLE	ATOMISEUR D' EAU INOX	WASSERDAMPFER
38	25387	DADO 3/8 FORO 12.5	3/8 NUT 12.5 HOLE	ECROU 3/8 TROU 12.5	MUTTER3/8 LOCH 12.5



Pos	Cod.	Denominazione - IT -	Denomination - GB -	Denomination - FR -	Denomination - DE -
1	53001	CORPO LIVELLO INFERIORE	LOWER LEVEL CONNECTOR	CORPS DE NIVEAU INFERIEUR	UNTERNIVEAUKORPER
2	25651	RONDELLA OTTONE 3/8	BRASS WASHER 3/8	RONDELLE LAITON 3/8	MESSINGSCHEIBE 3/8
3	25356	CONTRODADO OTTONE 3/8	BRASS LOCK NUT 3/8	CONTRE-ECROU LAITON 3/8	MESSING-GEGENMUTTER 3/8
4	52000004	TBS.D-10 L.155 1GR M.I. A1/BE	TUBE D-10 L.155 1GR M.I.	TUYAU D-10 L.155 1GR M.I.	ROHR D-10 L.155 1GR M.I.
5	44002	COPRILIVELLO VERNICIATO BIANCO	LEVEL INDICATOR COVER PAINTED WHITE	COUVRE-NIVEAU LAQUE BLANC	NIVEAUDECKEL
6	52000007	TBS.D-10 L.135 1GR A2/B CALDAIA	TUBE D-10 L. 135 1GR A2/B	TUYAU D-10 L.135 1GR A2/B	ROHR D-10 L. 135 1GR A2/B
7	53002	CORPO LIVELLO SUPERIORE	UPPER LEVEL BODY	CORPS DE NIVEAU SUPERIEUR	OBERNIVEAUKORPER
8	12200	GUARNIZ. GOMMA X LIVELLO 16X10X8	SIGHT GLASS RUBBER GASKET 16X10X8	JOINT CAOUTCHOUC DE NIVEAU 16X10X8	GUMMIDICHTUNG FÜR NIVEAU 16X10X8 ABGEKAN
9	25652	RONDELLA OTTONE D17.8	BRASS WASHER D.17.8	RONDELLE LAITON D.17.8	MESSING-SCHEIBE D.17.8
10	25383	DADO OTTONE M20X1.5	BRASS NUT 20X1.5	ECROU LAITON 20X1.5	MESSING-MUTTER 20X1.5
11	21300	TUBO VETRO PIREX LIVELLO 11X8X170	PYREX GLASS LEVEL TUBE 11X8X170	TUBE NIVEAU EN VERRE PYREX 11X8X170	NIVEAU GLASROHR 11X8X170
12	15300	PALLINA LIVELLO D7	LEVEL-INDICATING BALL D6.5	FLOTTEUR NIVEAU D'EAU D6.5	KUGEL DES NIVEAUANZEIGER D6.5
13	12153	GUARNIZIONE CU 1/4 17X13.3X1.5	1/4 17X13.3X1.5 COPPER SEAL	JOINT CUIVRE 1/4 17X13.3X1.5	KUPFERDICHTUNG 1/4 17X13.3X1.5
14	25780	TAPPO MASCHIO OTTONE 1/4	BRASS MALE CAP 1/4	BOUCHON MALE LAITON 1/4	MESSING-STOPFEN 1/4
15	56001	ASSIEME TUBO LIVELLO	LEVEL TUBE UNIT	ENSEMBLE TUBE DE NIVEAU	ROHRSATZ FUR NIVEAU
16	52001493	TBS.D-10 L.155 AR 112	TUBE D-8 L.485	TUYAU D-8 L.485	ROHR D-8 L.485
17	20354	VALVOLA CHIUSURA AEA	PRESSURE RELEASE TAP BULK UNIT	CLAPET FERMETURE AUT.ARRIVEE EAU	ABSPERRVENTIL X AUT.WASSERZUFUHR

PGL

INDICE - INDEX - SOMMAIRE - VERZEICHNIS

rev.

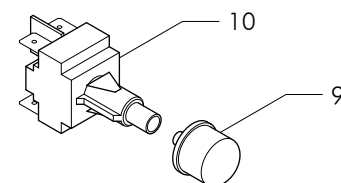
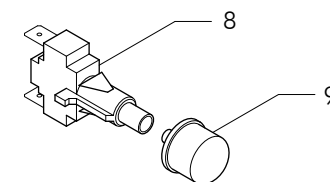
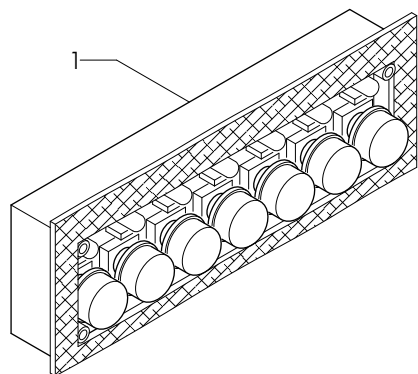
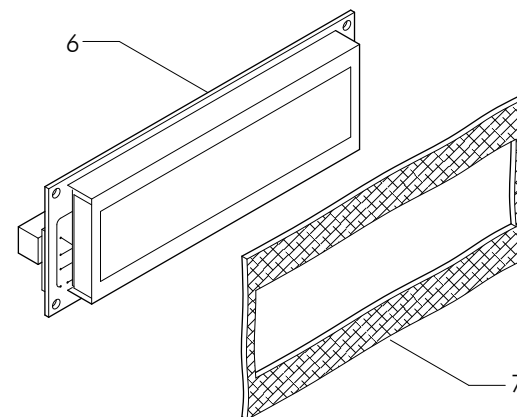
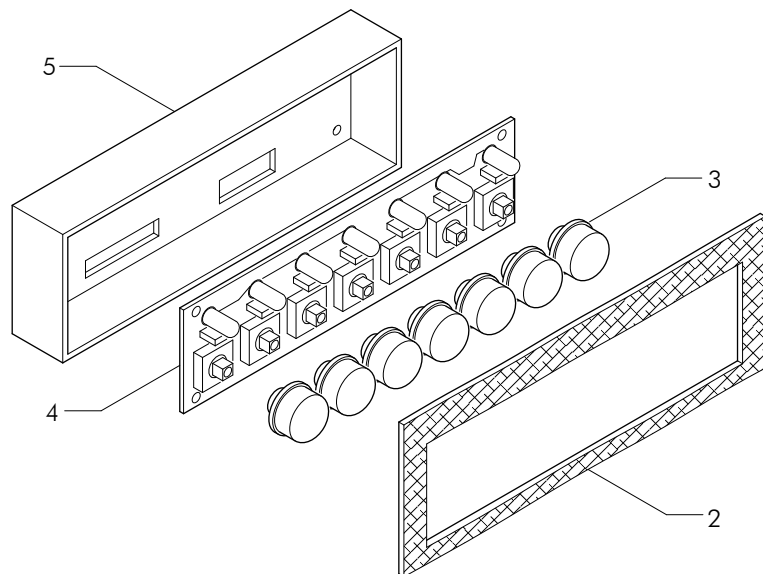
PGL-01

Pulsantiere - Push buttons
Claviers - Tastaturen

00
10/2004

Pulsantiere
Push buttons
Claviers
Tastaturen

GLORIA



Pos	Cod.	Denominazione - IT -	Denomination - GB -	Denomination - FR -	Denomination - DE -
1	83180011R	KIT PULSANTIERA SAE	TOUCHPAD KIT SAE	ENSEMBLE CLAVIER SAE	TASTATUREN SAE GRUPPE
2	15182996	EPDM ESPANSO CN22 144X55X2	EPDM CN22 144X55X2	EPDM CN22 144X55X2	EPDM CN22 144X55X2
3	15373059	TASTO PULSANTIERE ELETTRONICHE	CHROMED KEY	TOUCHE CHROMEE	CHROM TASTE
4	18371079	C.S.PULSANTIERA 7T GLORIA	PRINTED CIRCUIT PUSH BUTTON 7T	CIRCUIT IMPRIME CLAVIER 7T	GEDRUCKTER SCHALTKREIS TASTATUREN 7T
5	15373115	SCATOLA POST. PULSANTIERA 7T	BOX PUSH BUTTON	BOITIER CLAVIER	GEHAUSE F. TASTENWAHLSCHALTER
6	18371078	DISPLAY SAE GLORIA	DISPLAY SAE	DISPLAY SAE	DISPLAY SAE
7	15182997	EPDM ESPANSO CN22 110X55X2	EPDM CN22 110X55X2	EPDM CN22 110X55X2	EPDM CN22 110X55X2
8	18371058	PULSANTE UNIPOLARE	SINGLE POLE PUSHBUTTON	BOUTON-POUSSOIR UNIPOLAIRE	EINPOLIGER TASTER
9	15373060	TASTO PULSANTIERE MECCANICHE	CHROMED KEY	TOUCHE CHROMEE	CHROM TASTE
10	18371057	INTERRUTTORE BIPOLARE	TWO POLE SWITCH	INTERRUPTEUR BIPOLAIRE	ZWEIPOLIGER SCHALTER

RGL

INDICE - INDEX - SOMMAIRE - VERZEICHNIS

rev.

RGL-01

Lancia VAPORE - Tube STEAM
Tuyau VAPEUR - DAMPFHAHN

01
04/2006

RGL-02

Lancia ACQUA - Tube WATER
Tuyau EAU - WASSERHAHN

01
04/2006

RGL-03

Lancia MONTALATTE - MILK FROTHING WAND
Tuyau MONTE-LAIT - Lanze MILCHSCHAUM

01
07/2007

RGL-04

AUTOSTEAMER

01
07/2007

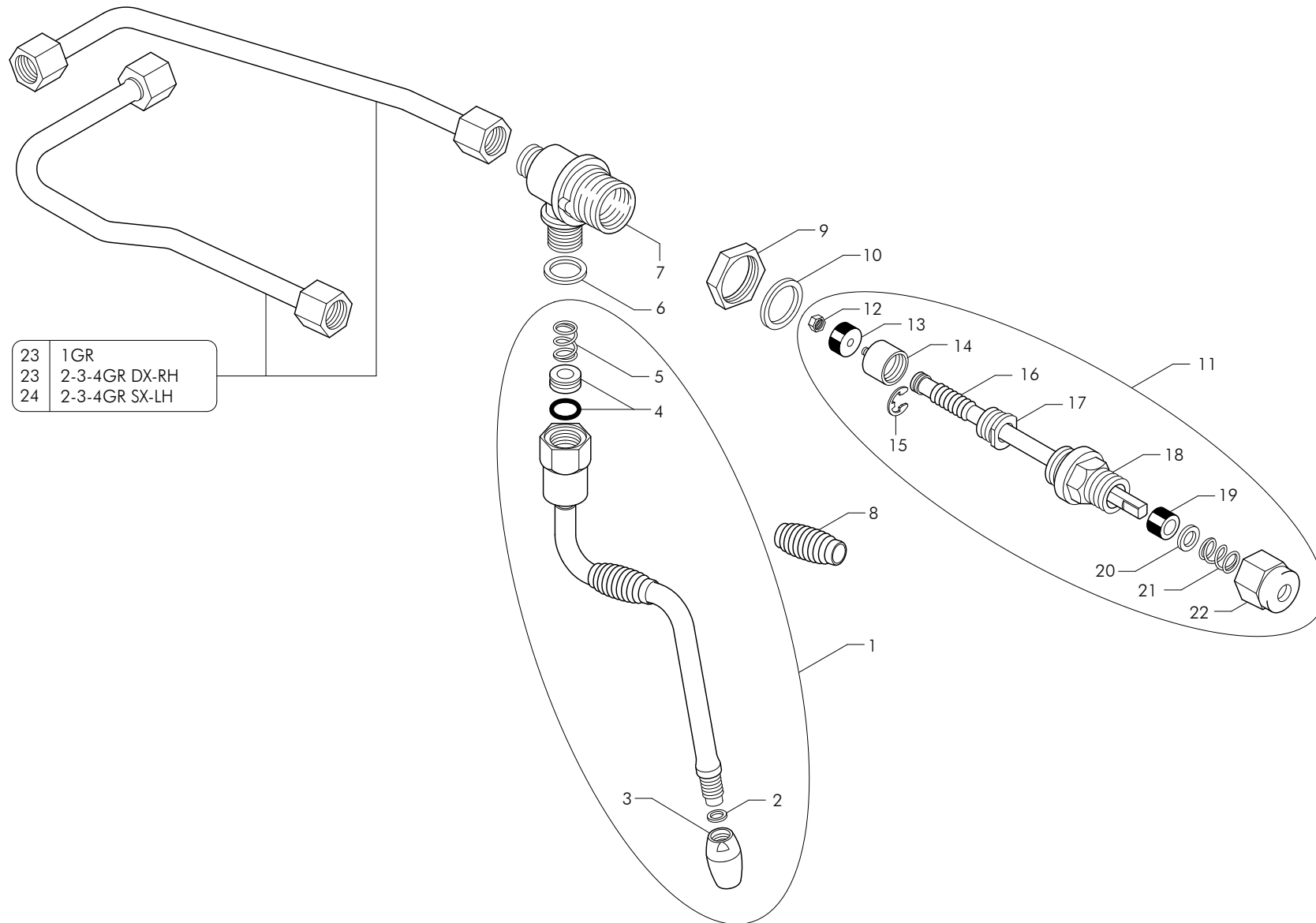
Lancia
acqua / vapore
Montalatte
Autosteamer

Tube
water / steam
Milk frothing wand
Autosteamer

Tuyau
eau / vapeur
Monte-lait
Autosteamer

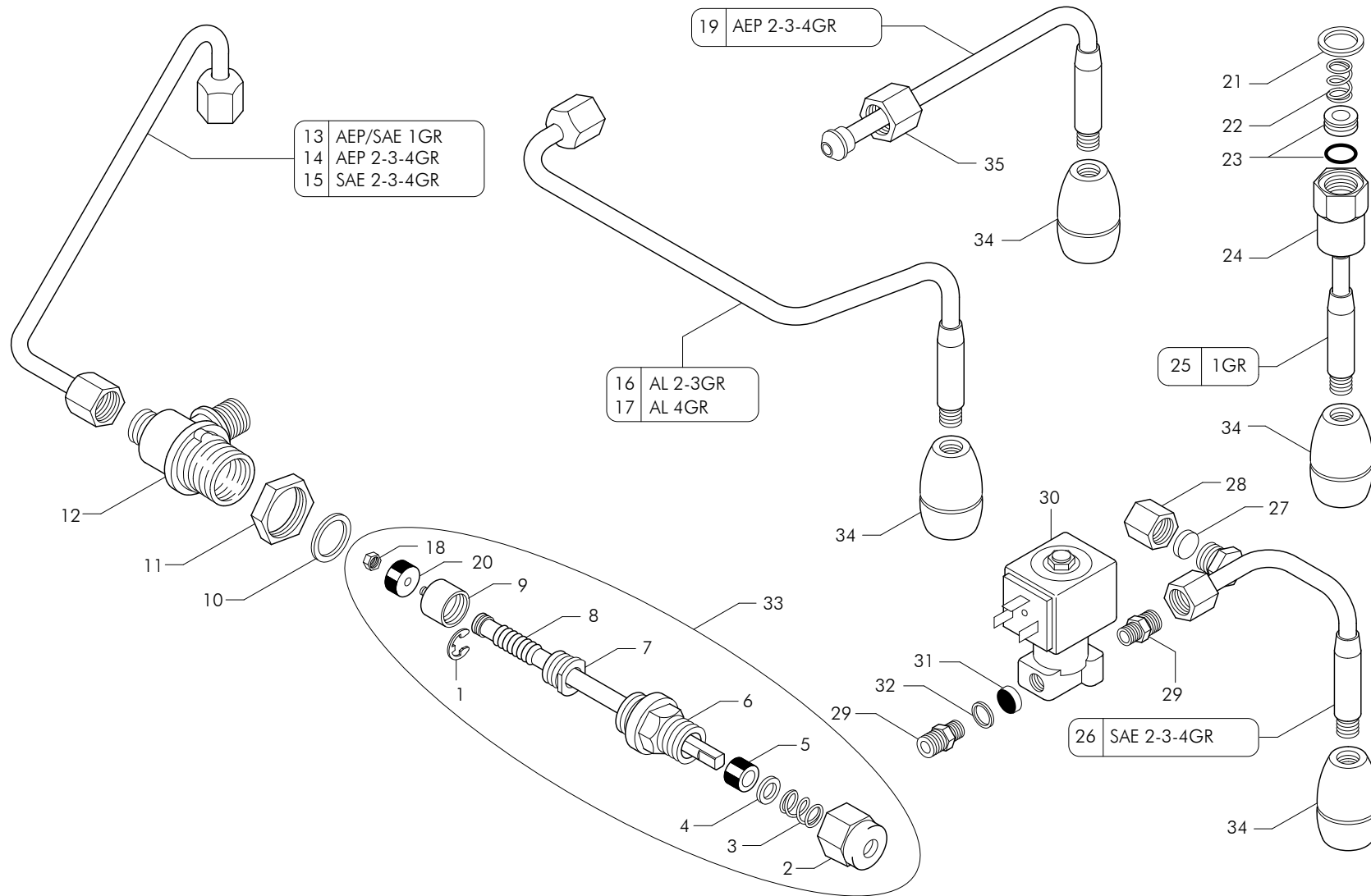
Wasser-dampfhahn
Milchschaum
Autosteamer

GLORIA



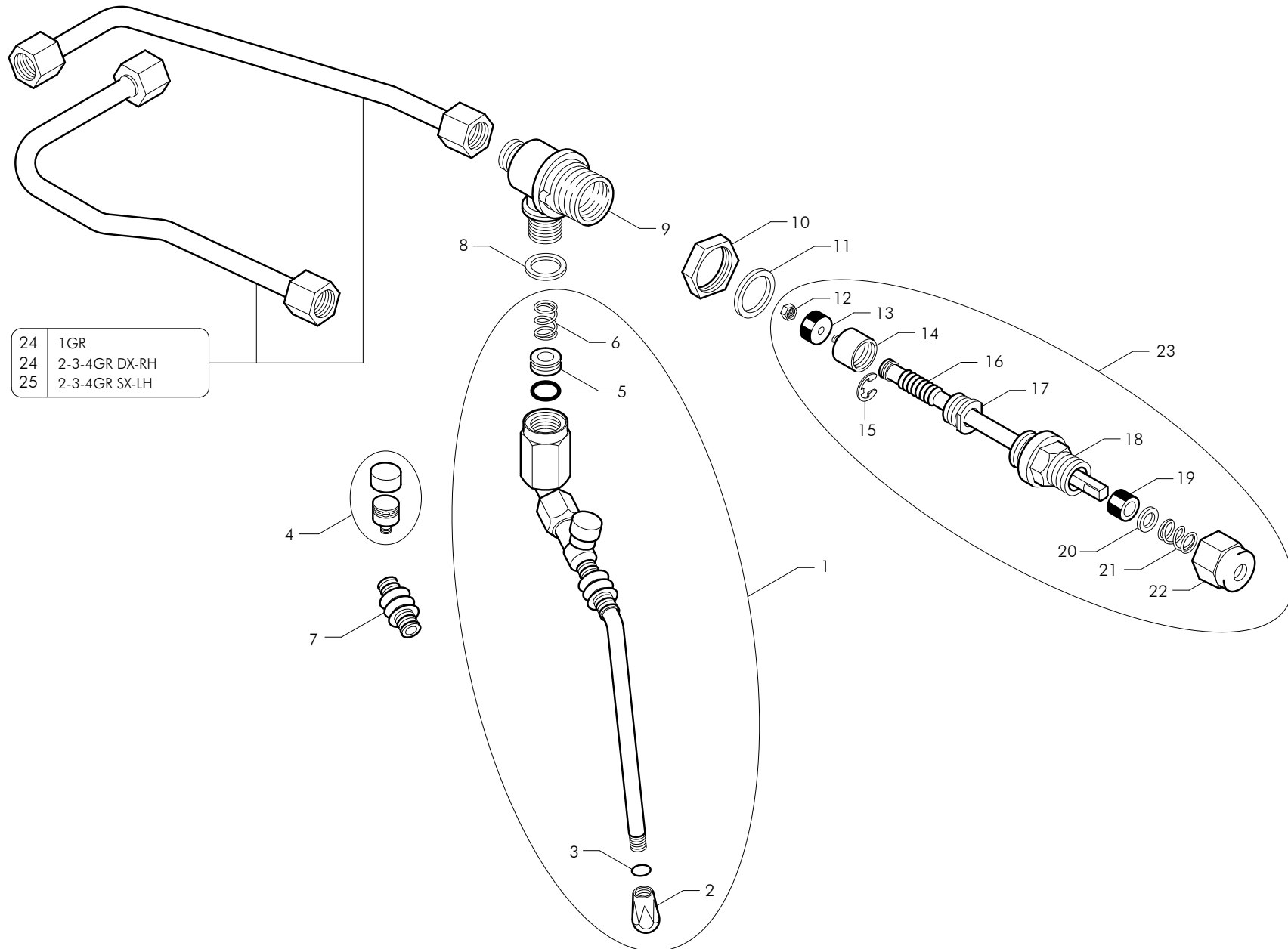
Pos	Cod.	Denominazione - IT -	Denomination - GB -	Denomination - FR -	Denomination - DE -
1	25763009	ASS.TUBO VAPORE INOX WE SP D.10	STEAM PIPE ASSEMBLY D-10	TUYAU VAPEUR D-10	DAMPFROHRSATZ D-10
1	25763042	TUBO VAPORE INOX D.8	STEAM PIPE ASSEMBLY D.8	TUYAU VAPEUR D.8	DAMPFROHRSATZ D-8
2	12662	GUARNIZIONE ALL.SPRUZZATORE VAP.INX D.10	ALUM.SEAL FOR ST.STEEL STEAM	JOINT ALU GICLEUR VAP. INOX D.10	ALUMINIUMDICHT.DAMPFSTR.EDELSTAHL D.10
3	25763004	SPRUZZ. VAPORE INOX WE X TUBO D.10	S.STEEL STEAM SPRAYER D.10	PULVERISATEUR VAPEUR D.10	INNENSPRITZDUSE D.10
4	12661	GUARNIZIONE OR CON LUNETTA P.MOLLA CANNA	OR REST FOR ST.STEEL STEAM PIPE	OR LUNETTE P.RESSORT TUYAU VAP. INO	HALBE OR-DICHT.F.FEDER DAMPFROHR ED
5	10465	MOLLA DE 11,5 DF1,5 AISI 302 DV/SP	STAINLESS ST.STEAM PIPE SPRING	RESSORT TUYAU VAP. INOX D.10	FEDER DAMPFROHR EDELSTAHL D. 10
6	12010	GUARNIZIONE TEFLON X H2O/VAP 21X17X2 CNN	W/S PIPE GASKET TEFLON 21X17X2	JOINT TUYAU TEFLON EAU/VAP TEFLON 21X17X	TEFLON-DICHTUNG X H2O/VAP 21X17X2 CNN
7	53003	CORPO RUBINETTO	TAP BODY	CORPS DE ROBINET	HAHNKÖRPER
8	15296001	GOMMINO ANTISCOT.RA X TUBO VAP.D10	ANTI-BURNING RUBBER EL.FOR STEAM PIPE	ELEMENT ANTI-BRULURE POUR TUYAU VAP.D10	GUMMI GEGEN VERBRENNUNGEN F. DAMPFROHR D
9	25384	DADO OTTONE M26X1.5	BRASS NUT 26X1.5	ECROU LAITON 26X1.5	MESSING-MUTTER 26X1.5
10	12158	GUARNIZIONE CU RUB.26X20.5X2	26X20.5X2 COPPER SEAL	JOINT CUIVRE 3/8 22X17X1.5	KUPFERDICHTUNG 3/8 22X17X1.5
11	561041	ASSIEME RUBINETTO ACQUA/VAPORE	WATER/STEAM TAP UNIT	ENSEMBLE ROBINET EAU/VAPEUR	WASSER/DAMPF ROHRSATZ
12	23050	DADO OTTONE M3 UNI 5587	BRASS NUT M3 UNI 5587	ECROU LAITON M3 UNI 5587	MESSING-MUTTER M3 UNI 5587
13	12203	GUARNIZIONE HNBR 15X4X4 DUREZZA 90SH TOL	RUBBER GASKET 15X4X4	JOINT EN CAOUTCHOUC 15X4X4	GUMMIDICHTUNG 15X4X4
14	25616	PISTONCINO RUBINETTO	TAP JUMPER	PISTON ROBINET	HAHNKOLBEN
15	10001	ANELLO ARRESTO D6 INOX 316 DIN 6799	STEEL CIRCLIP 316 DIN 6799	CIRCLIP INOX 316 DIN 6799	STAHLHALTENRING 316 DIN 6799
16	25312	ASTA RUBINETTO CROMATA L139	CHROMED TAP SHAFT	TIGE ROBINET CHROME	HAHNSTANGE CHROM
17	25461	GHIERA RUBINETTO	TAP RING NUT	EMBOUT ROBINET	HAHNZWINGE
18	25678001	RACCORDO RUBINETTO	TAP FITTING	RACCORD ROBINET	HAHNANSCHLUSSTUCK
19	12204	GUARNIZIONE GOMMA RUBINETTO H2O/VAP 12.5	W/S TAP RUBBER GASKET 12.5X7.5X9	JOINT CAOUTCHOUC ROB. EAU/VAP 12.5X7.5X9	HAHNDICHTUNG W/D 12.5X7.5X9
20	25655	RONDELLA RUBINETTO	TAP WASHER	RONDELLE ROBINET	HAHNSCHEIBE
21	10452	MOLLA RUBINETTO H2O/VAPORE N4	WATER/STEAM TAP SPRING N4	RESSORT DE ROBINET EAU-VAPEUR N4	WASSER/DAMPF HAHNFEDER N4
22	25385	DADO PREMISTOPPA RUBINETTO	TAP STUFFING NUT	ECROU DE PRESSE-ETOUPE ROBINET	STOPFBUCHSE MUTTER - HAHN
23	52000443	TUBO D-10 L.270 ESTR. GL44	TUBE D-10 L.270 GL44	TUYAU D-10 L.270 GL44	ROHR D-10 L.270 GL44
24	52000450	TUBO D-8 L.390 ESTR.1GR GL51	TUBE D-8 L.390 GL51	TUYAU D-8 L.390 GL51	ROHR D-8 L.390 GL51





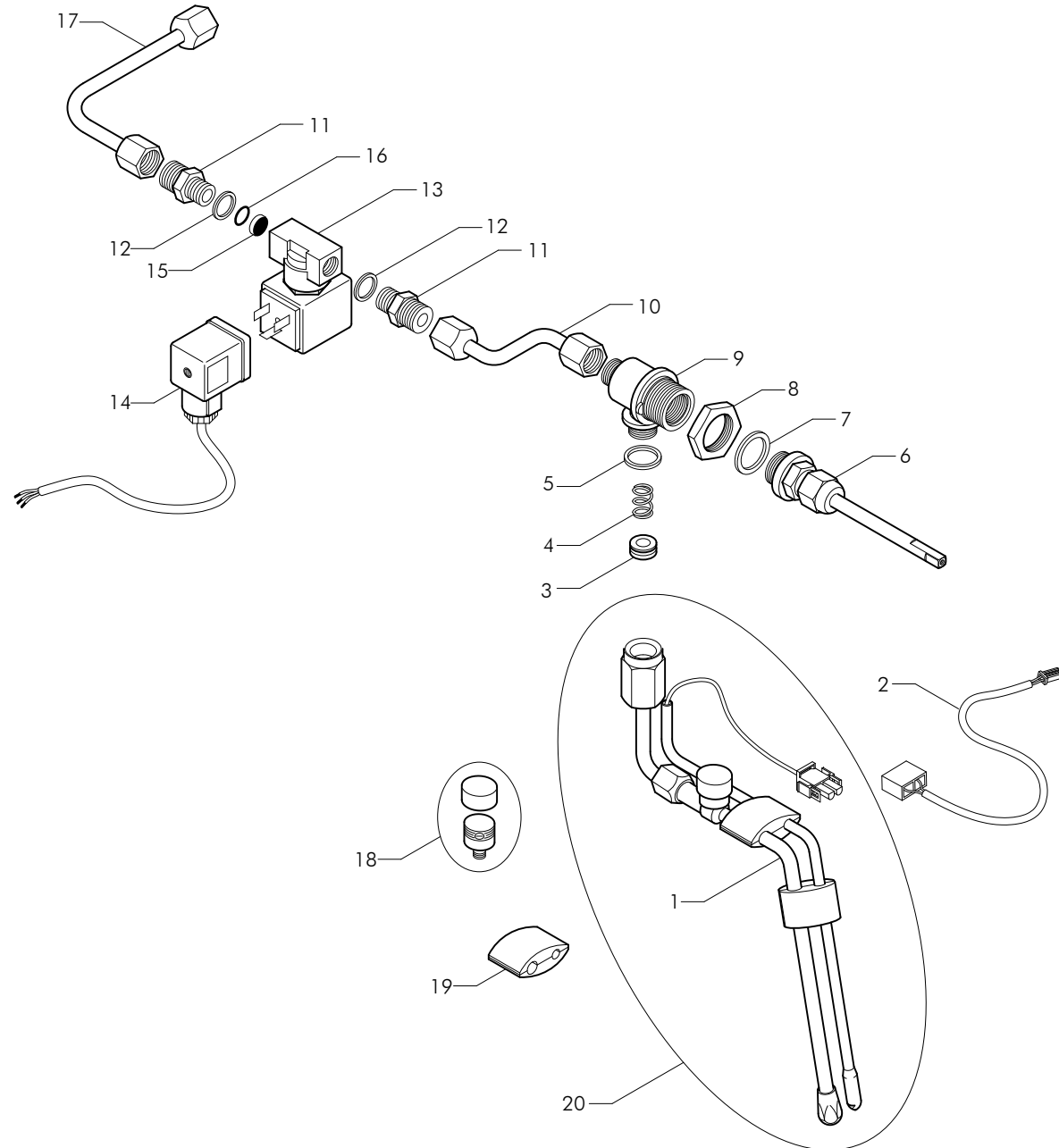
Pos	Cod.	Denominazione - IT -	Denomination - GB -	Denomination - FR -	Denomination - DE -
1	10001	ANELLO ARRESTO D6 INOX 316 DIN 6799	STEEL CIRCLIP 316 DIN 6799	CIRCLIP INOX 316 DIN 6799	STAHLHALTENRING 316 DIN 6799
2	25385	DADO PREMISTOPPA RUBINETTO	TAP STUFFING NUT	ECROU DE PRESSE-ETOUPE ROBINET	STOPFBUCHSE MUTTER - HAHN
3	10452	MOLLA RUBINETTO H20/VAPORE N4	WATER/STEAM TAP SPRING N4	RESSORT DE ROBINET EAU-VAPEUR N4	WASSER/DAMPF HAHNFEDER N4
4	25655	RONDELLA RUBINETTO	TAP WASHER	RONDELLE ROBINET	HAHNSCHEIBE
5	12204	GUARNIZIONE GOMMA RUBINETTO H20/VAP 12.5	W/S TAP RUBBER GASKET 12.5X7.5X9	JOINT CAOUTCHOUC ROB. EAU/VAP 12.5X7.5X9	HAHNDICHTUNG W/D 12.5X7.5X9
6	25678001	RACCORDO RUBINETTO	TAP FITTING	RACCORD ROBINET	HAHNANSCHLUSSTUCK
7	25461	GHIERA RUBINETTO	TAP RING NUT	EMBOUT ROBINET	HAHNZWINGE
8	25312	ASTA RUBINETTO CROMATA L139	CHROMED TAP SHAFT	TIGE ROBINET CHROME	HAHNSTANGE CHROM
9	25616	PISTONCINO RUBINETTO	TAP JUMPER	PISTON ROBINET	HAHNKOLBEN
10	12158	GUARNIZIONE CU RUB.26X20.5X2	26X20.5X2 COPPER SEAL	JOINT CUIVRE 3/8 22X17X1.5	KUPFERDICHTUNG 3/8 22X17X1.5
11	25384	DADO OTTONE M26X1.5	BRASS NUT 26X1.5	ECROU LAITON 26X1.5	MESSING-MUTTER 26X1.5
12	53003	CORPO RUBINETTO	TAP BODY	CORPS DE ROBINET	HAHNKÖRPER
13	52000450	TUBO D-8 L.390 ESTR.1GR GL51	TUBE D-8 L.390 GL51	TUYAU D-8 L.390 GL51	ROHR D-8 L.390 GL51
14	52000408	TUBO D-8 L.330 AEP/2GR GL9	TUBE D-8 L.330 GL9	TUYAU D-8 L.330 GL9	ROHR D-8 L.330 GL9
15	52000410	TUBO D-6 L.85 AEP-SAE/2GR GL11	TUBE D-6 L.85 GL11	TUYAU D-6 L.85 GL11	ROHR D-6 L.85 GL11
16	52000447	TUBO D-8 L.430 GL48	TUBE D-8 L.430 GL48	TUYAU D-8 L.430 GL48	ROHR D-8 L.430 GL48
17	52000448	TUBO D-8 L.430 GL48	TUBE D-8 L.430 GL49	TUYAU D-8 L.430 GL49	ROHR D-8 L.430 GL49
18	23050	DADO OTTONE M3 UNI 5587	BRASS NUT M3 UNI 5587	ECROU LAITON M3 UNI 5587	MESSING-MUTTER M3 UNI 5587
19	52000421	TUBO D-8 L.45 H20 AEP-SAE/1 GL22	TUBE D-8 L.45 GL22	TUYAU D-8 L.45 GL22	ROHR D-8 L.45 GL22
20	12203	GUARNIZIONE HNBR 15X4X4 DUREZZA 90SH TOL	RUBBER GASKET 15X4X4	JOINT EN CAOUTCHOUC 15X4X4	GUMMIDICHTUNG 15X4X4
21	12010	GUARNIZIONE TEFLON X H20/VAP 21X17X2 CNN	W/S PIPE GASKET TEFLON 21X17X2	JOINT TUYAU TEFLON EAU/VAP TEFLON 21X17X	TEFLON-DICHTUNG X H20/VAP 21X17X2 CNN
22	10465	MOLLA DE 11,5 DF1,5 AISI 302 DV/SP	STAINLESS ST.STEAM PIPE SPRING	RESSORT TUYAU VAP. INOX D.10	FEDER DAMPFROHR EDELSTAHL D. 10
23	12661	GUARNIZIONE OR CON LUNETTA P.MOLLA CANNA	OR REST FOR ST.STEEL STEAM PIPE	OR LUNETTE P.RESSORT TUYAU VAP. INO	HALBE OR-DICHT.F.FEDER DAMPFROHR ED
24	25391	DADO CANNA VAP/H20 X MOLLA CROMATO	NUT PIPE WATER/STEAM FOR SPRING	ECROU TUYAU VAPEUR/EAU POUR RESSORT	WASSER/DAMPF ROHRMUTTER FUR FEDER
25	52000411	TUBO D-8 L.205 AEP/2 GL12	TUBE D-8 L.205 GL12	TUYAU D-8 L.205 GL12	ROHR D-8 L.205 GL12
26	52000412	TUBO D-8 L.130 SAE/2 GL12	TUBE D-8 L.130 GL13	TUYAU D-8 L.130 GL13	ROHR D-8 L.130 GL13
27	12007	GUARNIZIONE KLINGERSIL4400	KLINGERSIL4400 COPPER SEAL	JOINT KLINGERSIL4400 POUR BOUCHON	DICHTUNG KLINGER SIL4400 X DECKEL
28	25782	TAPPO FEMMINA 1/4 GAS	1/4 GAS FEMALE TAP	BOUCHON FEMELLE 1/4 GAZ	INNENANSCHLUSSSTÖPSEL 1/4 GAS
29	25707	RACCORDO 1/8X1/4	CONNECTOR 1/8X1/4	RACCORD 1/8X1/4	ANSCHLUSS 1/8X1/4
30	18162002	ELETTROVALVOLA 230V AEA VDE	SOL.VALVE WATER REFILL 230V PARKER	ELECTROVANNE REA 230V PARKER	ELEKTROVENTIL AWZ 230V PARKER
30	18195	ELETTROVALVOLA 120V VE140.2IR VDE/UL PAR	SOL.VALVE 120V PARKER VE140.2IR	ELECTROVANNE 120V PARKER VE140.2IR	MAGNETVENTIL 120V PARKER VE140.2IR
31	10251001	FILTRO IN ACCIAIO D-8 SP.0,3	STEEL FILTER D-8 - 0.3 THICK	FILTRE EN ACIER D-8 EP.0,3	STAHLFILTER D-8 SP.0,3
32	12155	GUARNIZIONE CU 8.5X5X1	COPPER GASKET 8.5X5X1	JOINT CU 8.5X5X1	CU DICHTUNG 8.5X5X1
33	561041	ASSIEME RUBINETTO ACQUA/VAPORE	WATER/STEAM TAP UNIT	ENSEMBLE ROBINET EAU/VAPEUR	WASSER/DAMPF ROHRSATZ
34	25763002	SPRUZZATORE H20 INOX FISSO	S.STEEL WATER NOZZLE	ATOMISEUR D' EAU INOX	WASSERDAMPFER
35	25387	DADO 3/8 FORO 12.5	3/8 NUT 12.5 HOLE	ECROU 3/8 TROU 12.5	MUTTER3/8 LOCH 12.5





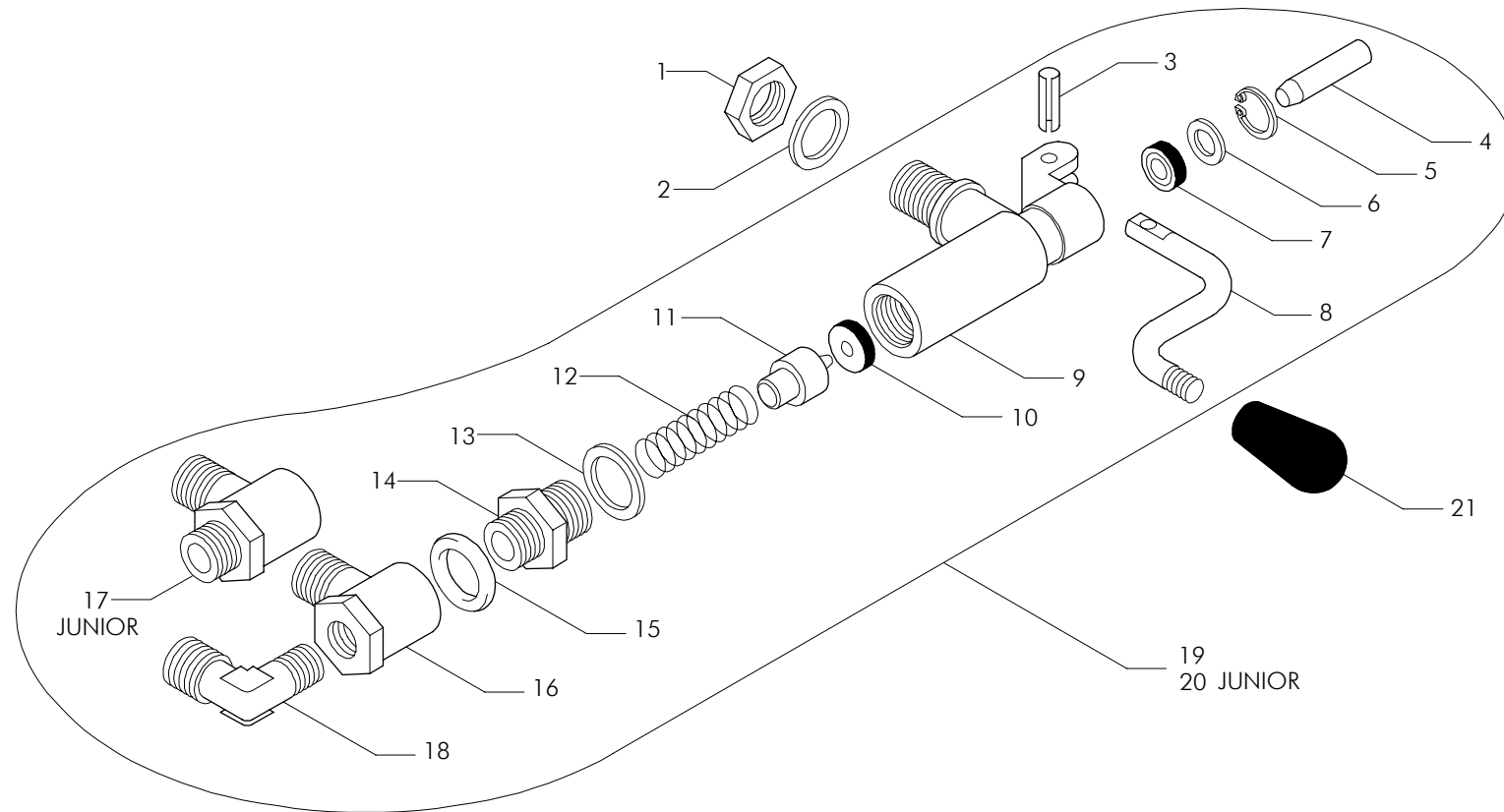
Pos	Cod.	Denominazione - IT -	Denomination - GB -	Denomination - FR -	Denomination - DE -
1	25763061	TUBO VAPORE+MONTALATTE GL/SP	KIT STEAM WAND FOR MILK FROTHER (GL)	KIT TUBE VAPEUR POUR MOUSSER LAIT (GL)	MILCHAUFSCHAUMER
2	25762A	SPRUZZATORE VAPORE INOX AISI 303	STEEL STEAM SPRAYER AISI 303	VAPORISATEUR INOX AISI 303	STAHLDAMPFER AISI 303
3	12300013	GUARNIZIONE OR SILICONE ROSSO 6X1 70SH	O RING 6X1 70SH	JOINT OR 6X1 70SH	O RING 6X1 70SH
4	30497001	REGOLATORE ARIA AUTOSTEAMER '06	AIRFLOW REGULATOR FOR MILK FROTHER	REGULATUER AIRE VAPEUR AUTOMATIQUE	LUFTREGLER FUER MILCHAUFSCHAUMER
5	12661	GUARNIZIONE OR CON LUNETTA P.MOLLA CANNA	OR REST FOR ST.STEEL STEAM PIPE	OR LUNETTE P.RESSORT TUYAU VAP. INO	HALBE OR-DICHT.F.FEDER DAMPFROHR ED
6	10465	MOLLA DE 11,5 DF1,5 AISI 302 DV/SP	STAINLESS ST.STEAM PIPE SPRING	RESSORT TUYAU VAP. INOX D.10	FEDER DAMPFROHR EDELSTAHL D. 10
7	15296002	GOMMINO ANTISCOTTATURA	ANTISCORCHING	ANTIBRULURES	VERBRENNUNGSSCHUTZ
8	12010	GUARNIZIONE TEFLON X H2O/VAP 21X17X2 CNN	W/S PIPE GASKET TEFLON 21X17X2	JOINT TUYAU TEFLON EAU/VAP TEFLON 21X17X	TEFLON-DICHTUNG X H2O/VAP 21X17X2 CNN
9	53003	CORPO RUBINETTO	TAP BODY	CORPS DE ROBINET	HAHNKÖRPER
10	25384	DADO OTTONE M26X1.5	BRASS NUT 26X1.5	ECROU LAITON 26X1.5	MESSING-MUTTER 26X1.5
11	12158	GUARNIZIONE CU RUB.26X20.5X2	26X20.5X2 COPPER SEAL	JOINT CUIVRE 3/8 22X17X1.5	KUPFERDICHTUNG 3/8 22X17X1.5
12	23050	DADO OTTONE M3 UNI 5587	BRASS NUT M3 UNI 5587	ECROU LAITON M3 UNI 5587	MESSING-MUTTER M3 UNI 5587
13	12203	GUARNIZIONE HNBR 15X4X4 DUREZZA 90SH TOL	RUBBER GASKET 15X4X4	JOINT EN CAOUTCHOUC 15X4X4	GUMMIDICHTUNG 15X4X4
14	25616	PISTONCINO RUBINETTO	TAP JUMPER	PISTON ROBINET	HAHNKOLBEN
15	10001	ANELLO ARRESTO D6 INOX 316 DIN 6799	STEEL CIRCLIP 316 DIN 6799	CIRCLIP INOX 316 DIN 6799	STAHLHALTENRING 316 DIN 6799
16	25312	ASTA RUBINETTO CROMATA L139	CHROMED TAP SHAFT	TIGE ROBINET CHROME	HAHNSTANGE CHROM
17	25461	GHIERA RUBINETTO	TAP RING NUT	EMBOUT ROBINET	HAHNZWINGE
18	25678001	RACCORDO RUBINETTO	TAP FITTING	RACCORD ROBINET	HAHNANSCHLUSSTUCK
19	12204	GUARNIZIONE GOMMA RUBINETTO H2O/VAP 12.5	W/S TAP RUBBER GASKET 12.5X7.5X9	JOINT CAOUTCHOUC ROB. EAU/VAP 12.5X7.5X9	HAHNDICHTUNG W/D 12.5X7.5X9
20	25655	RONDELLA RUBINETTO	TAP WASHER	RONDELLE ROBINET	HAHNSCHEIBE
21	10452	MOLLA RUBINETTO H2O/VAPORE N4	WATER/STEAM TAP SPRING N4	RESSORT DE ROBINET EAU-VAPEUR N4	WASSER/DAMPF HAHNFEDER N4
22	25385	DADO PREMISTOPPA RUBINETTO	TAP STUFFING NUT	ECROU DE PRESSE-ETOUPE ROBINET	STOPFBUCHSE MUTTER - HAHN
23	561041	ASSIEME RUBINETTO ACQUA/VAPORE	WATER/STEAM TAP UNIT	ENSEMBLE ROBINET EAU/VAPEUR	WASSER/DAMPF ROHRSATZ
24	52000443	TUBO D-10 L.270 ESTR. GL44	TUBE D-10 L.270 GL44	TUYAU D-10 L.270 GL44	ROHR D-10 L.270 GL44
25	52000450	TUBO D-8 L.390 ESTR.1GR GL51	TUBE D-8 L.390 GL51	TUYAU D-8 L.390 GL51	ROHR D-8 L.390 GL51





Pos	Cod.	Denominazione - IT -	Denomination - GB -	Denomination - FR -	Denomination - DE -
1	25763068	TUBO INOX D.6 + SENSORE NTC AUTOSTEAMER	TUBE D-6 + NTC SENSOR AUTOSTEAMER	TUYAU D-6 + CAPTEUR NTC VAP.AUTOMATIQUE	ROHR D-6 + SENSOR NTC AUT.DAMPF
2	22715828	CABLAGGIO SONDA AUTOSTEAMER	CABLE PROBE AUTOMATIC STEAMER	CABLE FICHE VAPEUR AUTOMATIQUE	KABEL MEBSPITZE AUT.DAMPF
3	12661	GUARNIZIONE OR CON LUNETTA P.MOLLA CANNA	OR REST FOR ST.STEEL STEAM PIPE	OR LUNETTE P.RESSORT TUYAU VAP. INO	HALBE OR-DICHT.F.FEDER DAMPFROHR ED
4	10465	MOLLA DE 11,5 DF1,5 AISI 302 DV/SP	STAINLESS ST.STEAM PIPE SPRING	RESSORT TUYAU VAP. INOX D.10	FEDER DAMPFROHR EDELSTAHL D. 10
5	12010	GUARNIZIONE TEFLON X H2O/VAP 21X17X2 CNN	W/S PIPE GASKET TEFLON 21X17X2	JOINT TUYAU TEFLON EAU/VAP TEFLON 21X17X	TEFLON-DICHTUNG X H2O/VAP 21X17X2 CNN
6	56303000	ASTA RUB.PORTAMANOPIOLA X AUTOSTEAMER NIC	WATER/STEAM TAP UNIT	ENSEMBLE ROBINET EAU/VAPEUR	WASSER/DAMPF ROHRSATZ
7	12158	GUARNIZIONE CU RUB.26X20.5X2	26X20.5X2 COPPER SEAL	JOINT CUIVRE 3/8 22X17X1.5	KUPFERDICHTUNG 3/8 22X17X1.5
8	25384	DADO OTTONE M26X1.5	BRASS NUT 26X1.5	ECROU LAITON 26X1.5	MESSING-MUTTER 26X1.5
9	53003	CORPO RUBINETTO	TAP BODY	CORPS DE ROBINET	HAHNKÖRPER
10	52000480	TUBO D-8 L.100 GL81	TUBE D-8 L.330 GL79	TUYAU D-8 L.330 GL79	ROHR D-8 L.330 GL79
11	25716	RACCORDO 3/8X1/4	3/8X1/4 FITTING	RACCORD 3/8X1/4	ANSCHLUSS 3/8X1/4
12	12153	GUARNIZIONE CU 1/4 17X13.3X1.5	1/4 17X13.3X1.5 COPPER SEAL	JOINT CUIVRE 1/4 17X13.3X1.5	KUPFERDICHTUNG 1/4 17X13.3X1.5
13	18161983	ELETTROVALV.VAPORE 230V VE146.3KV ZB14	STEAM EL.VALVE 230V 1/4 D4.5	EL.VAP. VE146.3KV ZB14 1/4 230V	DAMPFVENTIL VE146.3KV ZB14 1/4 230V
14	22715827	CABLAGGIO EV.VAPORE AUTOSTEAMER GLORIA	CABLE EL.VALVE AUTOMATIC STEAMER	CABLE ELECTROVANNE VAPEUR AUTOMATIQUE	KABEL GRUPPENMAGNETVENTIL AUT.DAMPF
15	10251002	FILTRO D-11,5 RETE ST. PS.1	MESH FILTER D-11,5	FILTRE D-11,5	FILTER D-11,5
16	12329	GUARNIZIONE OR 2031 HNBR 7.66XW1.78 H2O	O RING 2031 HNBR 7.66XW1.78	JOINT OR 2031 HNBR 7.66XW1.78	OR DICHTUNG 2031 HNBR 7.66XW1.78
17	52000475	TUBO D-8 L.155 A/STEAMER GL76	D-8 155 L PIPE A/STEAMER GL76	TUYAU D-8 L.155 A/STEAMER GL76	ROHR D-8 L.155 A/STEAMER GL76
18	30497001	REGOLATORE ARIA AUTOSTEAMER '06	AIRFLOW REGULATOR FOR MILK FROTHER	REGULATUER AIRE VAPEUR AUTOMATIQUE	LUFTREGLER FUER MILCHAUFSCHAUMER
19	15295001	CLIPS ANTISCOTTATURA 25MM AUTOSTEAMER	ANTISCORCHING CLIP 25MM AUTOSTEAMER	CLIP ANTI-BRULURES VAPEUR AUTOMATIQUE	VERBRENNUNGSSCHUTZKLIPS AUT.DAMPF
20	25763067	KIT AUTOSTEAMER+MONTALATTE GL/SP	AUTOMATIC STEAMER KIT+MILK FROTHER	KIT VAPEUR AUTOMATIQUE	KIT AUT.DAMPF+AUFSCHAEMER KURZ GL





Pos	Cod.	Denominazione - IT -	Denomination - GB -	Denomination - FR -	Denomination - DE -
1	25356	CONTRODADO OTTONE 3/8	BRASS LOCK NUT 3/8	CONTRE-ECROU LAITON 3/8	MESSING-GEGENMUTTER 3/8
2	25651	RONDELLA OTTONE 3/8	BRASS WASHER 3/8	RONDELLE LAITON 3/8	MESSINGSCHEIBE 3/8
3	10701	SPINA ELASTICA BRUNITA 5X20	BURNISHED ROLL PIN 5X20	FICHE ELASTIQUE BRUNIE 5X20	BRÜNIERTER ELASTISCHER STECKER 5X20
4	25315	ASTINA X POMPA H2O 8X35.6	WATER PUMP SPINDLE 8X35.6	TIGE POMPE EAU 8X35.6	STANGE FÜR WASSERPUMPE 8X35.6
5	10002	ANELLO DI ARRESTO INOX J 16 DIN472	STAINLESS CIRCLIP J 16	CIRCLIP INOX J 16	STAHLHALTERING J 16 DIN472
6	25653	RONDELLA X ASTINA D.EST. 15.4	SPINDLE WASHER 15.4	RONDELLE POUR TIGE 15.4	SCHEIBE F. STANGE 15.4
7	12205	GUARNIZIONE GOMMA GACO DE 056	GACO RUBBER GASKET DE 056	JOINT EN CAOUTCHOUC GACO DE 056	GACO GUMMIDICHTUNG DE 056
8	25202	LEVA POMPA ENTRATA H2O AD "S" FINITA	PUMP LEVER WATER REFILL	LEVIER POMPE REMPLISSAGE EAU	PUMPENHEBEL WASSERFULLUNG
9	53004	CORPO POMPA	PUMP BODY	CORPS POMPE	PUMPENKORPER
10	12203	GUARNIZIONE GOMMA 15X4X4	RUBBER GASKET 15X4X4	JOINT EN CAOUTCHOUC 15X4X4	GUMMIDICHTUNG 15X4X4
11	25615	PISTONCINO POMPA H2O	WATER PUMP JUMPER	PISTON POMPE EAU	KOLBEN FÜR WASSERPUMPE
12	10451	MOLLA PIST POMPA VALVOLA SC N2 (C)	PUMP-VALVE S.C.PISTON SPRING N2 (C)	RESSORT PISTON POMPE-VALVE S.C.N2 C	PUMPENVENTIL S.C.KOLBENFEDER N2 (C)
13	12150	GUARNIZ.CU POMPA / VALV.ESP. 25X18.2	PUMP COPPER GASKET 25X18.2X2	JOINT CU DE POMPE 25X18.2X2	PUMPENDICHTUNG 25X18.2X2
14	25680	RACCORDO POMPA 3/8XM18X1.5	PUMP CONNECTOR 3/8 X M18 X 1.5	RACCORD POMPE 3/8 X M18 X 1.5	PUMPENANSCHLUSS 3/8XM18X1.5
15	12101	GUARNIZIONE CU/ALIM 3/8 22X17X3	3/8 22X17X3 FEEDER/COPPER SEAL	JOINT CUIVRE/ALIM 3/8 22X17X3	KUPFERDICHTUNG/SPEIS. 3/8 22X17X3
16	43030001	RACCORDO INIETTORE 3/8FX3/8MX14F	3/8FX3/8MX14F INJECTOR FITTING	RACC. INJECTEUR 3/8FX3/8MX14F	ANSCHLUSS EINSPRITZER 3/8FX3/8MX14F
17	43020	DISTANZIALE POMPA	PUMP SPACER	ENTRETOISE POMPE	PUMPENENTFERNUNGSSTUCK
18	23202	RACCORDO GOM.D8.2 3/8X1/4 CON	ELBOW BRASS CONNECTOR D8.2 3/8X1/4	RACCORD COUDE LAITON D8.2 3/8X1/4	MESSING-ANSCHLUSS D8.2 3/8X1/4
19	61014	ASSIEME POMPA H2O ER+AEA (-POMELLO)	H2O DISTR.+AEA PUMP ASS.(-KNOB)	ENS.POMPE EAU DISTRI.+AEA BOUTON	SET PUMPE H2O ABGABE+AEA -KNAUF
20	61006	ASS.POMPA H2O ER/AL+AEA AR/W(-POM.)	UNIT PUMP + AUT.WATER REFILL ARG/WE	ENSEMBLE POMPE + R.E.A ARG/WE	PUMPENSATZ + A.W.F. ARG.WE
21	15400	POMELLO LEVETTA POMPA I.147/40-M8	MANUAL FILL LEVER KNOB I.147/40-M8	BOUTON LEVIER POMPE I.147/40-M8	KNAUF PUMPENHEBEL I.147/40-M8

INDICE - INDEX - SOMMAIRE - VERZEICHNIS

ACC

ACC-03

FILTRI e PORTAFILTRI - FILTERS and FILTERS HOLDER
FILTRES et PORTE FILTRES - FILTER und FILTERHALTER

rev.

01
05/2007

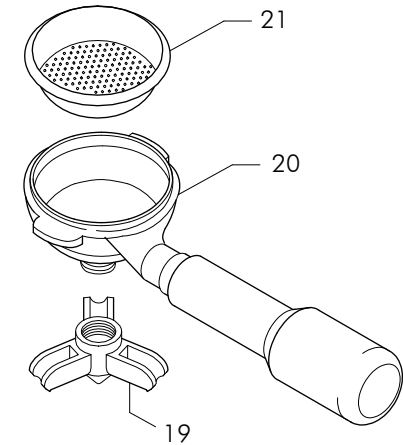
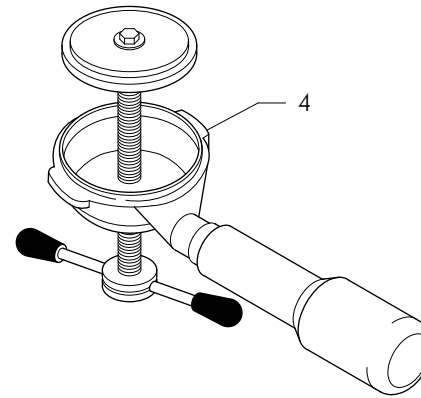
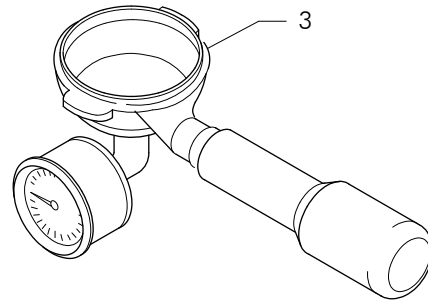
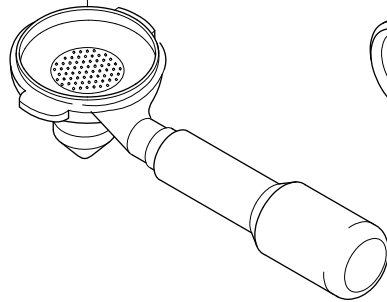
FILTRI e
PORTAFILTRI

FILTERS and
FILTERS HOLDER

FILTRES et
PORTE FILTRES

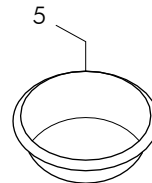
FILTER und
FILTERHALTER

2
PER CIALDA ORZO
FOR BARLEY PODS
POUR PASTILLES ORGE
FUER GERSTETABS



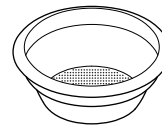
2
TAZZE-CUPS
TASSES-TASSEN

6	H. 24,5
7	H. 22

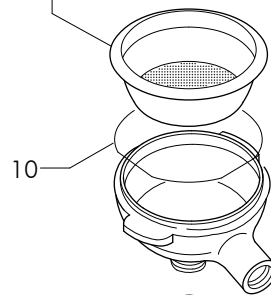
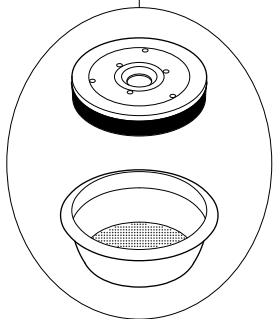


1
TAZZA-CUP
TASSE-TASSE

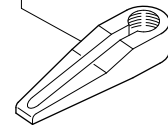
8	H. 24
9	H. 19,5



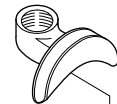
1
KIT CIALDA
PODS KIT
KIT PASTILLES
KIT KAFFEETABS



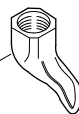
13 LCL



12



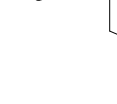
14



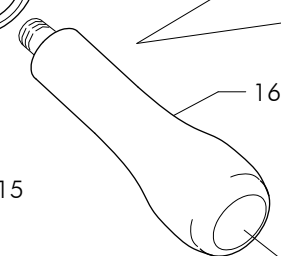
11



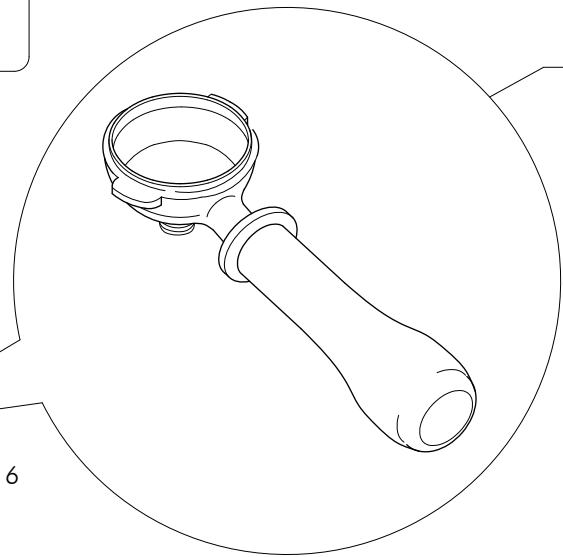
15



16



17



18

Pos	Cod.	Denominazione - IT -	Denomination - GB -	Denomination - FR -	Denomination - DE -
1	80126999R	KIT ADATTATORE X CIALDA 1 TAZZA	1 CUP POD ADAPTOR KIT	KIT ADAPTATEUR POUR PASTILLES 1 TASSE	KIT FUER KAFFEETABS
1	83250007R	KIT ADATTATORE X CIALDE 2 TAZZE	2 CUPS POD ADAPTOR KIT	KIT ADAPTATEUR POUR PASTILLES 2 TASSES	KIT FUER DOPPELTABS
2	27311100	PORTAFILTRO COMPLETO PER CIALDA ORZO	FILTER HOLDER FOR BARLEY PODS	PORTE FILTRE POUR PASTILLE ORGE	FILTERHALTER FUER GERSTETABS
3	56009901	PORTAFILTRO X MACCHINE EROGAZIONE	FILTER HOLDER FOR SEMI AUTO MACHINES	PORTE-FILTRE AVEC MANOMETRE	FILTERHALTER FUER FILTERPROBE
3	56009902	PORTAFILTRO PROVA MACCHINE A LEVA	FILTER HOLDER - LEVER MACHINES	PORTEFILTRE MANOMETRE TESTER PRESSION	FITERHALTER FUER FILTERPROBE AL
4	65002	ESTRATTORE PER GRUPPO A LEVA	EXTRACTOR FOR LEVER GROUP	EXTRACTEUR POUR GROUPE A LEVIER	ABZIEHER FUR HEBELGRUPPE
5	27173	FILTRO INOX 2 TAZZE CIECO	2 CUP STAINLESS STEEL BLIND FILTER	FILTRE INOX 2 TASSES AVEUGLE	GESCHLOSSENER FILTER 2 TASSEN
6	27171	FILTRO INOX 2 TAZZE H.24,5 E/61 + CAN.	E/61 2 CUP STAINLESS STEEL FILTER H24,5	FILTRE INOX 2 TASSES E/61 H.24,5 + RIG.	EDELSTAHL-FILTER 2 TASSEN E/61 H.24,5
7	27176	FILTRO INOX 2 TAZZE H.22 + CANALINO	2 CUP STAINLESS STEEL FILTER H.22	FILTRE INOX 2 TASSES H.22 + RIGOLE	EDELSTAHL-FILTER 2 TASSEN H.22 +
8	27142	FILTRO INOX 1 TAZZA E/61 H.24+ CANALINO	E/61 1 CUP STAINLESS STEEL FILTER	FILTRE INOX 1 TASSE E/61 H.24+ RIGOLE	EDELSTAHL-FILTER 1 TASSE E/61 H.24+FUE
9	27146	FILTRO INOX 1 TAZZA H.19,5 + CANALINO	H.19,5 1 CUP STAINLESS STEEL FILTER	FILTRE INOX 1 TASSE H.19,5 + RIGOLE	EDELSTAHL-FILTER 1 TASSE H.19,5 +
10	27254	MOLLA FERMAFILTRO D-1,4	FILTER CLAMP SPRING D-1,4	RESSORT BLOCAGE-FILTRE D-1,4	FILTERHALTEFEDER D-1,4
11	15296010	GHIERA ANTISCOTTATURA MANOPOLA	ANTI-SCORCH PLASTIC RING	RONDELLE ANTI-BRULURE POUR POIGNEE	RING FUER SIEBTRAEGER
12	27060201	PROLUNGA BECCUCCIO 1/2 TAZZE	EXTENSION SPOUT	PROLONGE BEC	VERLANGERUNG
13	27032002	BECCUCCIO OTT/NI 1 TAZZA ALLUNGATO LCL	BRASS SPOUT LONG CUPS LCL	BEC LAITON LONG LCL	AUSLAUF 1 TASSE LATTE MACCHIATO
14	27032001	BECCUCCIO OTT/NI 1 TAZZA	BRASS SPOUT/NI 1 LONG CUP	BEC LAITON/NICKELE 1 TASSE LONG	AUSGUSS MESSING/NICKEL 1 TASSE LANG
15	27042001	BECCUCCIO OTT/NI 2 TAZZE	2 CUPS BRASS/NICKEL SPOUT	BEC 2 TASSES LAITON/NICKEL	MESSING/NICK. SCHNABEL FÜR 2 TASSEN
16	15263010	MANOPOLA PORTAFILTRO NERA+INSERTO M12	FILTER HOLDER KNOB	POIGNEE PORTE-FILTRE	FILTERHALTER GRIFF
17	15486006	TAPPO MANOPOLA PORTAFILTRO CROMATO	CAP FILTER HOLDER KNOB	BOUCHON POIGNEE PORTE-FILTRE	GRIFFVERSCHLUSS FILTERHALTER
18	27311000	PORTAFILTRO LAV.+ CROM.+MANOPOLA	FILTER HOLDER UNIT	ENSEMBLE PORTE-FILTRE	FILTERHALTER SATZ
19	27050	BECCUCCIO OTT/NI 3 TAZZE CORTO	BRASS SPOUT/NI 3 SHORT CUPS	BEC LAITON/NICKELE 3 TASSES COU	AUSGUSS OTT/NI 3 TASSEN KURZ
20	27304	PORTAFILTRO	FILTER SUPPORT	PORTE-FILTRE	FILTERHALTERUNG
21	27190	FILTRO INOX 3 TAZZE 304/28	3 CUP STAINLESS STEEL FILTER 304/28	FILTRE INOX 3 TASSES 304/28	ROSTFREIER FILTER 3 TASSEN 304/28

GRE-20

ITALY

rev.

01

07/2005

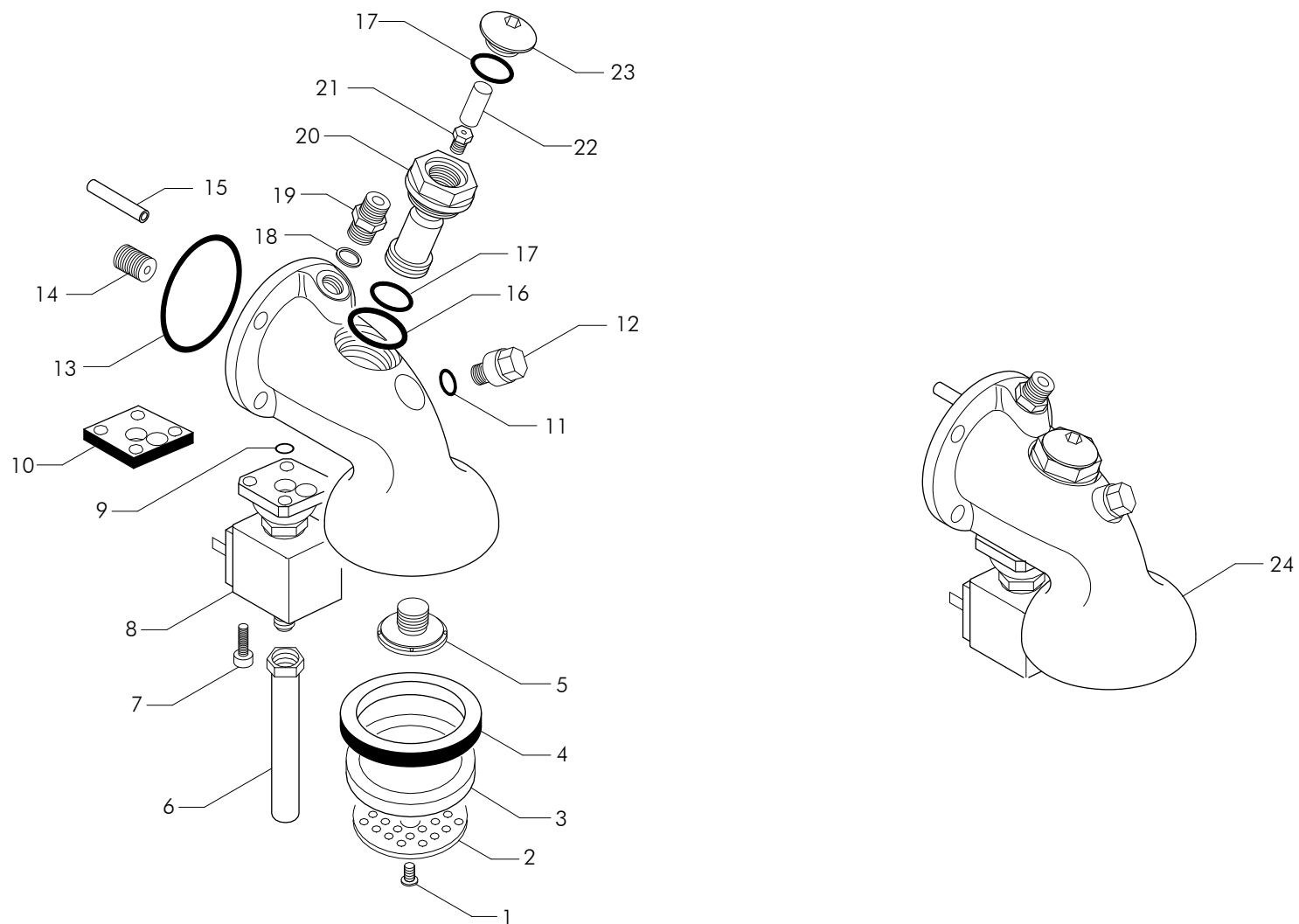
GRE-25

STANDARD

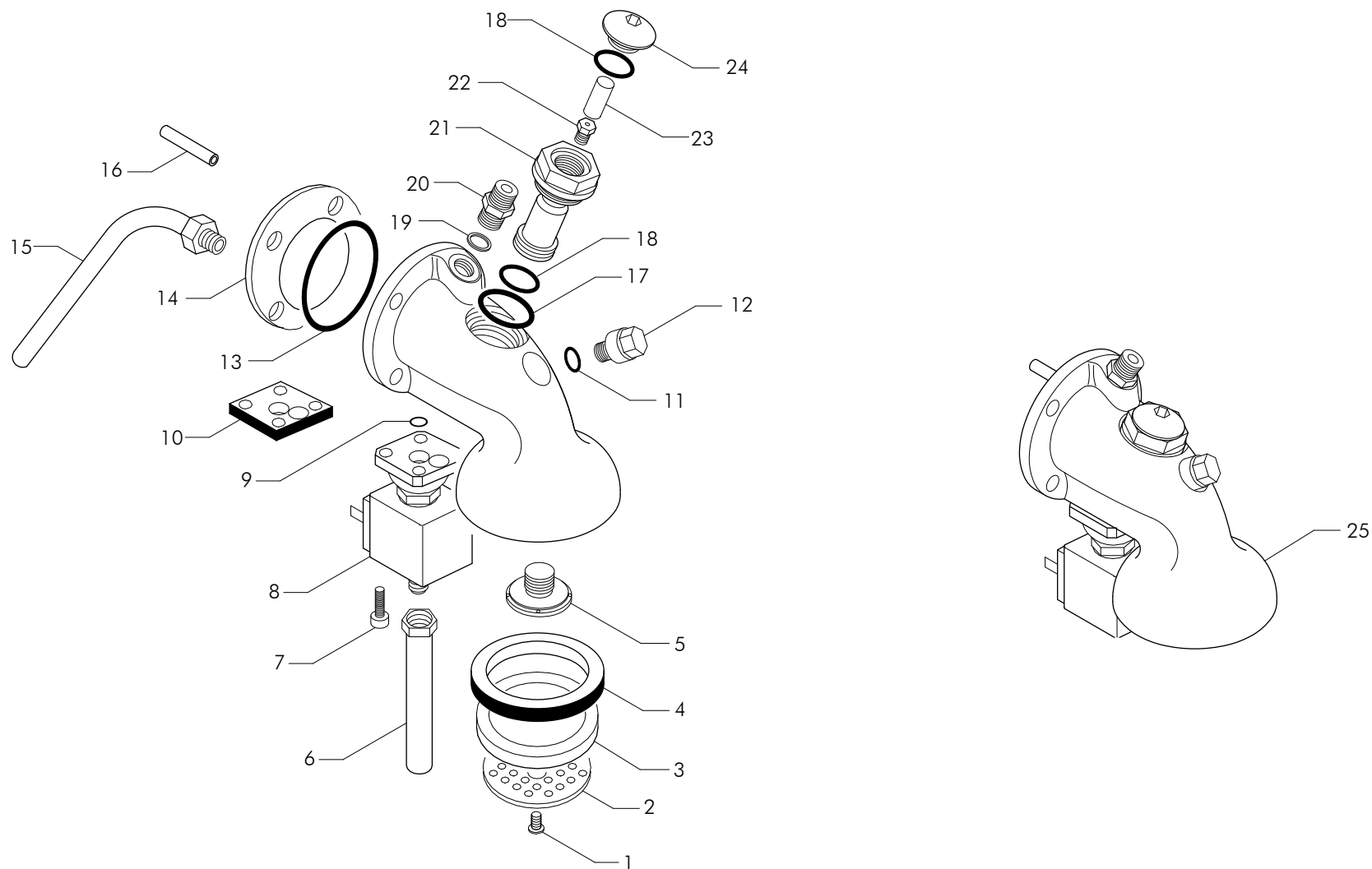
rev.

01

07/2005



Pos	Cod.	Denominazione - IT -	Denomination - GB -	Denomination - FR -	Denomination - DE -
1	23514	VITE TPS INOX 5X20 TAGLIO CACC.	5X20 STAINLESS STEEL FLATHEAD SCREW	VIS TPS INOX 5X20 DE TOURNEVIS	SCHRAUBE TPS ROSTFREI5X20 SCHRAUBEN
2	27100	DOCCETTA GRUPPO ER 51.9	GROUP SHOWER PLATE 51.9	DOUCHETTE GROUPE ER 51.9	DUSCHE VERTEILEREINHEIT 51.9
3	25627	PORTADOCCETTA GRUPPO EROGAZIONE	WATER SPOUT UNIT SUPPORT	PORTE-DOUCHETTE GROUPE DISTRIBUTION	DUSCHTRÄGER VERSORGUNGSEINHEIT
4	12215	GUARNIZ. GOMMA S.COPPA 72X56X8.5 MAGG	LARGER SIZED FILTER SUPPORT RUBBER	JOINT CAOUTCHOUC SOUCOUCPE 72X56X8.5	FILTERHALTER-GUMMIDICHTUNG 72X56X8 GROSS
4	12217	GUARNIZ. GOMMA S.COPPA 72X56X8 NORMAL	STANDARD SIZE FILTER SUPPORT RUBBER	JOINT CAOUTCHOUC SOUCOUCPE 72X56X8 N	FILTERHALTER-GUMMIDICHTUNG 72X56X8 NORMA
5	25422004	DIFFUSORE GRUPPO ESTR.DV	GROUP DIFFUSER	DIFFUSEUR GROUPE	DIFFUSOR ABGABEGRUPPE
6	52000166	TUB.D-12 OT TAGLIATO L.92 1-4GR	CUT BRASS TUBE D-12 1-4 GR	TUBE COUPE' D-12 1-4 GR	ROHR D-12 MESSING GESCHNITTEN L.92 1-4GR
7	23560	VITE TCEI INOX 4X16	SCREW TCCE S.STEEL 4X16	VIS TCCE INOX 4X16	STAHLSCRAUBE TCCE 4X16
8	18150	ELETTROVALVOLA GRUPPO 110V 50-60HZ	GROUP SOLENOID VALVE 110/50-60	ELECTROVANNE GROUPE 110/50-60	GRUPPENMAGNETVENTIL 110/50-60
8	18151	ELETTROVALVOLA GRUPPO 220/240V	GROUP SOLENOID VALVE 220/240 50-60	ELECTROVANNE GROUPE 220/240 50-60	GRUPPENMAGNETVENTIL 220/240 50-60
9	12305	GUARNIZIONE OR 105 GR.ELETT.VITON	O RING SEAL 105 GREEN VITON SOLENOI	JOINT OR 105 GR. ELECT. VITON VERT	O-RINGDICHT. 105 EKELTR. EINHEIT VITON G
10	12013	GUARNIZIONE PTFE LV 2030 ELETTROVAL.	GASKET FOR SOLENOID VALVE GR PTFE	JOINT POUR ELECTROVANNE GR PTFE	MAGNETVENTILDICHT.GR PTFE LV 2030
11	12303	GUARNIZIONE OR 119 VITON TAPPO	CAP O RING GASKET 119	JOINT OR 119 POUR BOUCHON	OR DICHTUNG FUR STOPFEN 119
12	25789301	TAPPO CAMERA PREINFUSIONE GRP ESTR.	CAP GROUP	BOUCHON GROUPE	STOPFEN ABGABEGRUPPE
13	12304	GUARNIZIONE OR 4187 GRUP.ER VITON	DISTRIBUTION GR. O RING GASKET 4187	JOINT OR4187 GR DEBIT MC/482	OR DICHTUNG FUR AUSGABEGRUPPE 4187
14	25750100	RIDUZIONE 1/4 FORO D.4	REDUCTION 1/4 D-4	REDUCTION 1/4 D-4	REDUKTION 1/4 D-4
15	15451011	PESCANTE GRUPPO ESTR.INIEZ.FREDDA	TUBE D-8X6 TEFLON L.75 FIL.M8	TUYAU D-8X6 TEFLON L.75 M8	ROHR D-8X6 TEFLON L.75 M8
16	12300027	GUARNIZIONE OR 0134 EPDM PA 25,8X3,53	O RING GASKET 0134 25.8X3.53	JOINT OR 0134 25.8X3.53	OR DICHTUNG 0134 25.8X3.53
17	12300026	GUARNIZIONE OR 0123 EPDM PA 17,86X2,6	O RING GASKET 0123 PA 17.86X2.62	JOINT OR 0123 PA 17.86X2.62	OR DICHTUNG 0123 PA 17.86X2.62
18	12153	GUARNIZIONE CU 1/4 17X13.3X1.5	1/4 17X13.3X1.5 COPPER SEAL	JOINT CUIVRE 1/4 17X13.3X1.5	KUPFERDICHTUNG 1/4 17X13.3X1.5
19	25716003	RACCORDO 3/8X1/4 INIETT.ESTR.DV FIL.	3/8X1/4 FITTING	RACCORD 3/8X1/4	ANSCHLUSS 3/8X1/4
20	25739502	PORTAGIGLER GRUPPO CTS 03	NOZZLE HOLDER GROUP CTS 03	PORTE-GICLEUR GROUPE CTS 03	DUSEHALTER GRUPPE CTS 03
21	10300A	GIGLER OTT. X GRUPPO D 0.6	BRASS UNIT FOR JET D 0.6	GIGLEUR LAITON POUR GROUPE D 0.6	VERMESSINGTE GRUPPENDÜSE D 0.6
22	10253	FILTRO GIGLER GRUPPO W527	JET FILTER	FILTRE GICLEUR	DUSE FILTER
23	25789302	TAPPO ISPEZIONE GIGLEUR GRUPPO ESTR.	CAP GROUP JET	BOUCHON GIGLEUR	STOPFEN EINSPRITZDUSE
24	56082000	GRUPPO ESTRAIBILE 230/50 DV ITALIA	UNIT DISTRIBUTION GROUP 230/50 ITALIA	ENSEMBLE GROUPE 230/50 ITALIA	SATZ-ABGABEGRUPPE 230/50 ITALIA



Pos	Cod.	Denominazione - IT -	Denomination - GB -	Denomination - FR -	Denomination - DE -
1	23514	VITE TPS INOX 5X20 TAGLIO CACC.	5X20 STAINLESS STEEL FLATHEAD SCREW	VIS TPS INOX 5X20 DE TOURNEVIS	SCHRAUBE TPS ROSTFREI5X20 SCHRAUBEN
2	27100	DOCCETTA GRUPPO ER 51.9	GROUP SHOWER PLATE 51.9	DOUCHETTE GROUPE ER 51.9	DUSCHE VERTEILEREINHEIT 51.9
3	25627	PORTADOCCETTA GRUPPO EROGAZIONE	WATER SPOUT UNIT SUPPORT	PORTE-DOUCHETTE GROUPE DISTRIBUTION	DUSCHTRÄGER VERSORGUNGSEINHEIT
4	12215	GUARNIZ. GOMMA S.COPPA 72X56X8.5 MAGG	LARGER SIZED FILTER SUPPORT RUBBER	JOINT CAOUTCHOUC SOUCOUBE 72X56X8.5	FILTERHALTER-GUMMIDICHTUNG 72X56X8 GROSS
4	12217	GUARNIZ. GOMMA S.COPPA 72X56X8 NORMAL	STANDARD SIZE FILTER SUPPORT RUBBER	JOINT CAOUTCHOUC SOUCOUBE 72X56X8 N	FILTERHALTER-GUMMIDICHTUNG 72X56X8 NORMA
5	25422004	DIFFUSORE GRUPPO ESTR.DV	GROUP DIFFUSER	DIFFUSEUR GROUPE	DIFFUSOR ABGABEGRUPPE
6	52000166	TUB.D-12 OT TAGLIATO L.92 1-4GR	CUT BRASS TUBE D-12 1-4 GR	TUBE COUPE' D-12 1-4 GR	ROHR D-12 MESSING GESCHNITTEN L.92 1-4GR
7	23560	VITE TCEI INOX 4X16	SCREW TCCE S.STEEL 4X16	VIS TCCE INOX 4X16	STAHLSCHRAUBE TCCE 4X16
8	18150	ELETTROVALVOLA GRUPPO 110V 50-60HZ	GROUP SOLENOID VALVE 110/50-60	ELECTROVANNE GROUPE 110/50-60	GRUPPENMAGNETVENTIL 110/50-60
8	18151	ELETTROVALVOLA GRUPPO 220/240V	GROUP SOLENOID VALVE 220/240 50-60	ELECTROVANNE GROUPE 220/240 50-60	GRUPPENMAGNETVENTIL 220/240 50-60
9	12305	GUARNIZIONE OR 105 GR.ELETT.VITON	O RING SEAL 105 GREEN VITON SOLENOI	JOINT OR 105 GR. ELECT. VITON VERT	O-RINGDICHT. 105 EKELTR. EINHEIT VITON G
10	12013	GUARNIZIONE PTFE LV 2030 ELETTROVAL.	GASKET FOR SOLENOID VALVE GR PTFE	JOINT POUR ELECTROVANNE GR PTFE	MAGNETVENTILDICHT.GR PTFE LV 2030
11	12303	GUARNIZIONE OR 119 VITON TAPPO	CAP O RING GASKET 119	JOINT OR 119 POUR BOUCHON	OR DICHTUNG FUR STOPFEN 119
12	25789301	TAPPO CAMERA PREINFUSIONE GRP ESTR.	CAP GROUP	BOUCHON GROUPE	STOPFEN ABGABEGRUPPE
13	12304	GUARNIZIONE OR 4187 GRUP.ER VITON	DISTRIBUTION GR. O RING GASKET 4187	JOINT OR4187 GR DEBIT MC/482	OR DICHTUNG FUR AUSGABEGRUPPE 4187
14	12002	GUARNIZIONE TEFLON VERGINE X GRUPPO	GROUP TEFLON GASKET 89X40X2	JOINT DE GROUPE TEFLON 89X40X2	TEFLON GRUPPENDICHTUNG 89X40X2
15	52000122	PESCANTE GRUPPO EROGAZ. ESTRAIBILE	TUBE D-12 L.180 ER	TUYAU D-12 L.180 ER	ROHR D-12 L.180 ER
16	15451011	PESCANTE GRUPPO ESTR.INIEZ.FREDDA	TUBE D-8X6 TEFLON L.75 FIL.M8	TUYAU D-8X6 TEFLON L.75 M8	ROHR D-8X6 TEFLON L.75 M8
17	12300027	GUARNIZIONE OR 0134 EPDM PA 25,8X3,53	O RING GASKET 0134 25.8X3.53	JOINT OR 0134 25.8X3.53	OR DICHTUNG 0134 25.8X3.53
18	12300026	GUARNIZIONE OR 0123 EPDM PA 17,86X2,6	O RING GASKET 0123 PA 17.86X2.62	JOINT OR 0123 PA 17.86X2.62	OR DICHTUNG 0123 PA 17.86X2.62
19	12153	GUARNIZIONE CU 1/4 17X13.3X1.5	1/4 17X13.3X1.5 COPPER SEAL	JOINT CUIVRE 1/4 17X13.3X1.5	KUPFERDICHTUNG 1/4 17X13.3X1.5
20	25716003	RACCORDO 3/8X1/4 INIETT.ESTR.DV	3/8X1/4 FITTING	RACCORD 3/8X1/4	ANSCHLUSS 3/8X1/4
21	25739502	PORTAGIGLER GRUPPO CTS 03	NOZZLE HOLDER GROUP CTS 03	PORTE-GICLEUR GROUPE CTS 03	DUSEHALTER GRUPPE CTS 03
22	10300001	GIGLER OTT. X GRUPPO D 0.7	BRASS GROUP JET D 0.7	GIGLEUR LAITON POUR GROUPE D 0.7	VERMESSINGTE GRUPPENDUSE D 0.7
23	10253	FILTRO GIGLER GRUPPO W527	JET FILTER	FILTRE GICLEUR	DUSE FILTER
24	25789302	TAPPO ISPEZIONE GIGLEUR GRUPPO ESTR.	CAP GROUP JET	BOUCHON GIGLEUR	STOPFEN EINSPRITZDUSE
25	56082001	GRUPPO ESTRAIBILE 230/50 DV	UNIT DISTRIBUTION GROUP 230/50	ENSEMBLE GROUPE 230/50	SATZ-ABGABEGRUPPE 230/50
25	56082002	GRUPPO ESTRAIBILE 120/50 DV	UNIT DISTRIBUTION GROUP 120/50	ENSEMBLE GROUPE 120/50	SATZ-ABGABEGRUPPE 120/50

Caldaia e Scambiatore ESTRAIBILE
EXTRACTABLE heating Boiler and Exchanger
Chaudière et Echangerur à EXTRAIBLE
Dampfkessel AUSZIEHBAR AUSTAUSCHER

CLD-25

JUN - 1 GR

rev.

00

05/2002

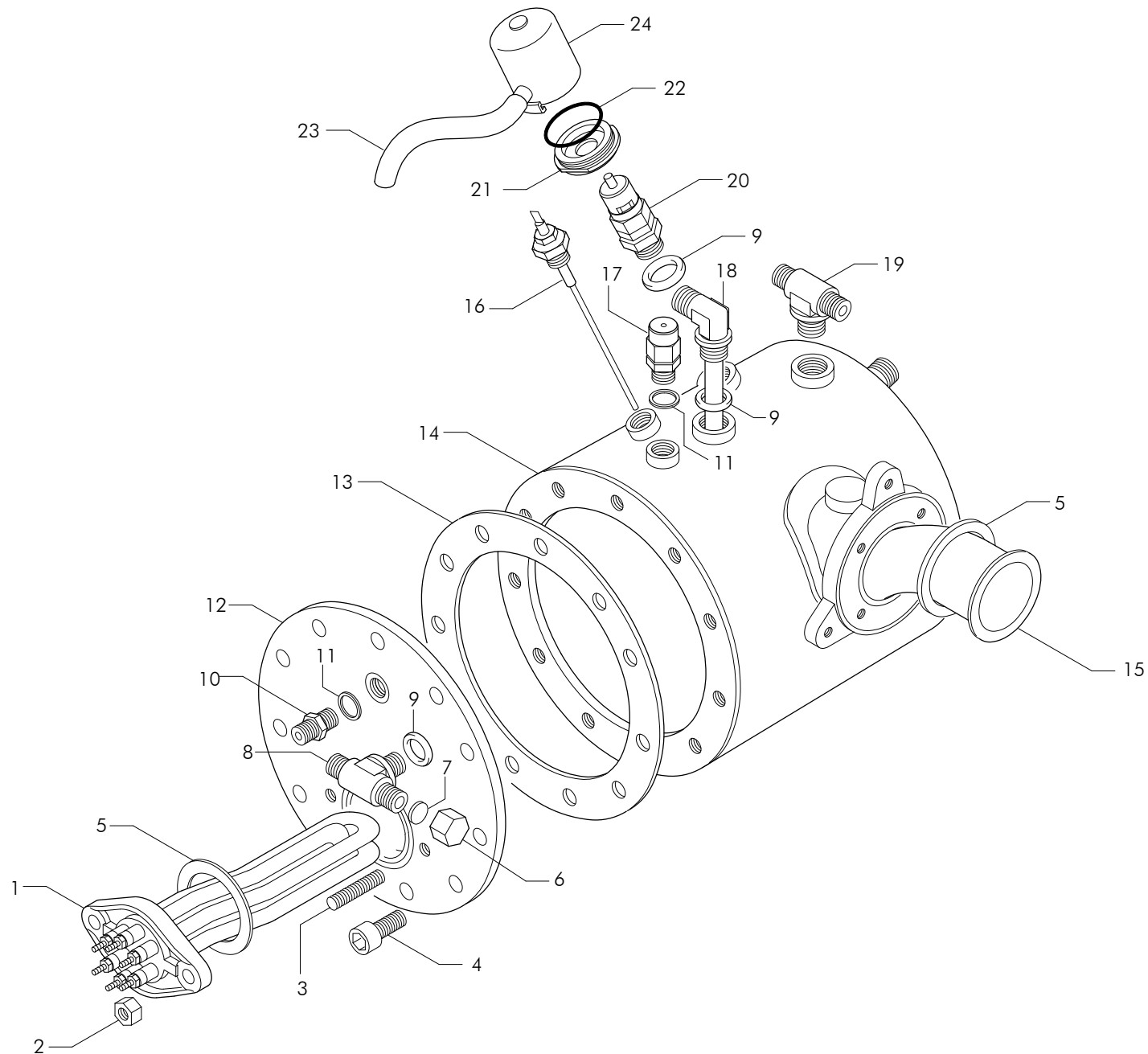
CLD-30

2 - 3 - 4 GR

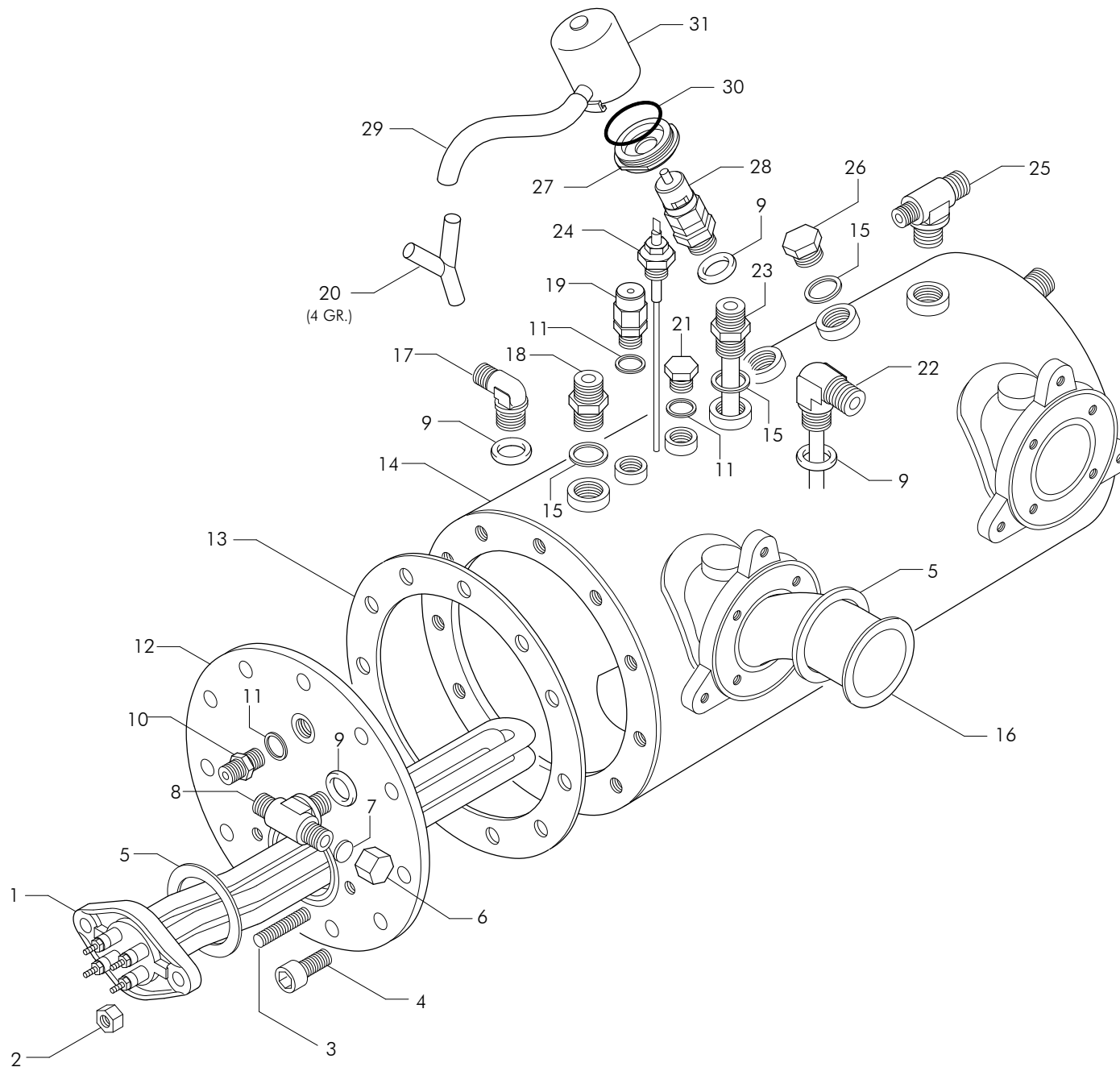
rev.

00

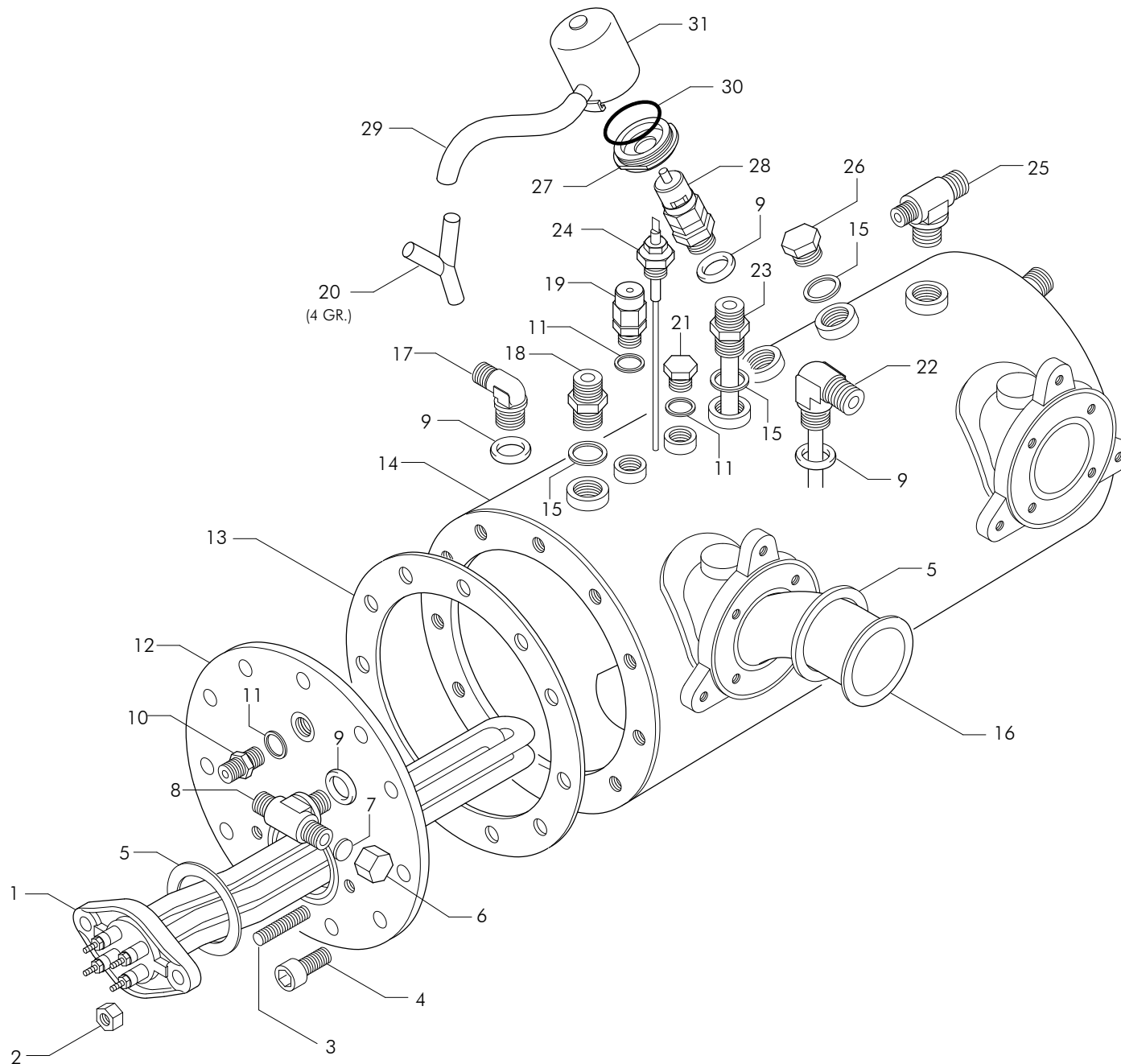
05/2002



Pos	Cod.	Denominazione - IT -	Denomination - GB -	Denomination - FR -	Denomination - DE -
1	17000	RES.1GR 4P 120V 1700W	HEATING ELEMENT 1GR 120V 1700W	RESISTANCE 1GR 120V 1700W	HEIZKORPER 1GR 120V 1700W
1	17001	RESISTENZA 1GR 4P 120V 2000W	HEATING ELEMENT 1GR 110V-2000W	RESISTANCE ELECTRIQUE 1GR 110V2000W	HEIZKORPER 1 GR 110V 2000W
1	17002	RES.1GR 4P 230/240V 2000W	HEATING ELEMENT 1GR 220V/240V 2000W	RESISTANCE ELEC.1GR 220V/240V 2000W	HEIZKORPER 1GR 220V/240V 2000W
1	17003	RES.1GR 4P 230/240V 1700W	HEATING ELEMENT 1GR 230/240V 1700W	RESISTANCE 1GR 230/240V 1700W	HEIZKORPER 1GR 230/240V 1700W
1	17006	RESISTENZA 1GR 6P 230/380V 1800W	HEAT.ELEMENT 1GR 220/380 2000W 6P	RESISTANCE 1GR 220/380 2000W 6POLES	HEIZKORPER 1GR 220/380 2000W
2	23049	DADO OTTONE M8 UNI 5587	BRASS NUT M8 UNI 5587	ECROU LAITON M8 UNI 5587	MESSING-SCHRAUBENMUTTER M8 UNI 5587
3	23133	PRIGIONIERO INOX AISI304 8X30 DIN 939	STAINLESS STEEL BOLT AISI304 8X40	VIS INOX AISI304 8X40	STAHLSCRAUBE 8X40 AISI304 8X40
4	23556	VITE TCEI INOX 10X20 UNI5931 DIN912	STEEL SCREW TCCE 10X20	VIS INOX TCCE 10X20	STAHLSCRAUBE TCCE 10X20
5	12001	GUARNIZIONE TEFLON VERGINE X RES/SCA	TEFLON GASKET ELEMENT/EXCH. 58X43X2	JOINT TEFLON RESIST/ECHANG. 58X43X2	TEFLON DICHTUNG 58X23X2
6	25782	TAPPO FEMMINA 1/4 GAS	1/4 GAS FEMALE TAP	BOUCHON FEMELLE 1/4 GAZ	INNENANSCHLUSSSTÖPSEL 1/4 GAS
7	12007	GUARNIZIONE KLINGERSIL4400	KLINGERSIL4400 COPPER SEAL	JOINT KLINGERSIL4400 POUR BOUCHON	DICHTUNG KLINGER SIL4400 X DECKEL
8	43060	RACCORDO 1/4X1/4X1/4 T	'T' CONNECTOR 1/4 + 1/4 + 1/4	RACCORD 'T' 1/4 + 1/4 + 1/4	T'-ANSCHLUSS 1/4+1/4+1/4
9	12101	GUARNIZIONE CU/ALIM 3/8 22X17X3	3/8 22X17X3 FEEDER/COPPER SEAL	JOINT CUIVRE/ALIM 3/8 22X17X3	KUPFERDICHTUNG/SPEIS. 3/8 22X17X3
10	25686	RACCORDO 1/4X1/4 FLANGIA	CONNECTOR 1/4 X 1/4 FLANGE	RACCORD 1/4 X 1/4 BRIDE	ANSCHLUSS 1/4X1/4 FLANSCH
11	12153	GUARNIZIONE CU 1/4 17X13.3X1.5	1/4 17X13.3X1.5 COPPER SEAL	JOINT CUIVRE 1/4 17X13.3X1.5	KUPFERDICHTUNG 1/4 17X13.3X1.5
12	53011	FLANGIA NORMALE SENZA FORI	FLANGE WITHOUT HOLES	BRIDE SANS TROUS	NORMALER FLANSCH OHNE LÖCHER
13	12003	GUARNIZIONE TEFLON VERGINEXCALDAIA	BOILER TEFLON GASKET 190X139X2	JOINT CHAUDIERE TEFLON 190X139X2	TEFLON KESSELDICHTUNG 190X139X2
14	62008	CALDAIA JUNIOR ESTR AEA	BOILER JUN EXTRACTABLE A.W.R.	CHAUDIERE JUN EXTRAIBLE R.E.A.	KESSEL JUN AUSZIEHBAR A.W.F.
14	62013	CALDAIA 1GR ESTRAIBILE OVE	BOILER 1GR OVE - EXTRACTABLE	CHAUDIERE 1GR OVE - EXTRAIBLE	KESSEL 1GR OVE - AUSZIEHBAR
14	62022	CALDAIA 1GR ER ESTRAIBILE AEA	BOILER 1GR EXTRACTABLE - A.W.REFILL	CHAUDIERE 1GR EXTRAIBLE-REM.EAU.AUT	KESSEL 1GR AUSZIEHBAR - A.W.F.
14	62027	CALDAIA 1GR ER ESTR.+ 3/8 AEA	BOILER 1GR EXTRACTABLE - A.W.R.	CHAUDIERE 1GR EXTRAIBLE- R.E.A.	KESSEL 1GR AUSZIEHBAR - A.W.F.
14	62028	CALDAIA JUNIOR ESTR + 3/8 AEA	BOILER JUN EXTRACT.+3/8 A.W.R.	CHAUDIERE JUN EXTR.+3/8 R.E.A.	KESSEL JUN AUZIEHBAR+3/8 A.W.F.
14	62033	CALDAIA JUNIOR ESTRAIBILE OVE	BOILER 1GR EXTRACTABLE JUNIOR OVE	CHAUDIERE 1GR EXTRAIBLE JUNIOR OVE	KESSEL 1GR AUSZIEHBAR JUNIOR OVE
15	63100	SCAMBIATORE ESTRAIBILE D42 CURVO	EXTRACTABLE EXCHANGER D42 - BENT	ECHANGEUR EXTRAIBLE D42 - COURBE	AUSZIEHBARER WARMETAUSCHER D42
16	20251	SONDA LIVELLO TL 10/B L125 908600	TL 10/B L125 900000 LEVEL PROBE	JAUGE TL 10/B L125 900000	PEGELFÜHLER TL 10/B L125 900000
17	56150	VALVOLA ANTIRISUCCHIO V.A.R.	ANTI-EDDY VALVE V.A.R.	SOUPAPE ANTI-DEPRESSION V.A.R.	VENTIL UNTERDRUCKFREI V.A.R.
18	52000119	TBS.D-10 L.125 PESCANTE "L" A 50/A	D-10 125 L PIPE CUPWARMER AT 50/A	TUYAU D-10 L.125 POUR ASPIRATION "L"	ROHR D.10 L.125 A 50/A
19	43033	RACCORDO "T" 3/8X3/8X1/4	3/8X3/8X1/4 T FITTING	RACCORD "T" 3/8X3/8X1/4	ANSCHLUSS 3/8X3/8X1/4 T
20	20352	VALVOLA DI SICUREZZA *CE*	*CE* SAFETY VALVE	SOUPAPE DE SECURITE *CE*	SICHERHEITSVENTIL *CE*
20	20356	VALVOLA DI SICUREZZA CE ITALIA	*CE* SAFETY VALVE ITALY	SOUPAPE DE SECURITE *CE* ITALY	SICHERHEITSVENTIL *CE* ITALY
21	15006001	FLANGIA GRIGOLY VALVOLA SIC.	FLANGE GRIVORY VALVE	JOINT GRIVORY VANNE	FLANSCH GRIVORY VENTIL
22	12300000	GUARNIZIONE OR 3156 VITON X PISTONI	O RING VITON	JOINT OR VITON	OR DICHTUNG VITON
23	15478002	TUBO SILICONE 8X11 L.70CM	SILICONE TUBE 8X11 L.70CM	TUYAU SILICONE 8X11 L.70CM	SILIKONROHR 8X11 L.70CM
24	56009980	ASSIEME PROTEZIONE VALVOLE SICUREZZA	UNIT PROTECTION VALVE	ENSEMBLE PROTECTION VANNE	SATZ-SCHUTZGITTER VENTIL



Pos	Cod.	Denominazione - IT -	Denomination - GB -	Denomination - FR -	Denomination - DE -
1	17050	RES.2GR 4P 120V 2600W	HEATING ELEMENT 2GR 110V-2600W	RESISTANCE ELEC. 2GR 110V-2600W	HEIZKORPER 2GR 110V-2600W
1	17051	RESISTENZA 2GR 4P 230/240V 2600W	HEATING ELEMENT 2GR 220V/240V-2600W	RESISTANCE ELEC.2GR 220V/240V-2600W	HEIZKORPER 2GR 220V/240V 2600W
1	17053	RES.2GR 4P 380V 4000W	HEATING ELEMENT 2GR 380V 4000W	RESISTANCE ELEC. 2GR 380V 4000W	HEIZKORPER 2GR 380V 4000W
1	17054	RESISTENZA 2GR 6P 230/380V 2600W	HEATING EL.2GR 220/380V-2600W 6POLE	RESISTANCE 2GR 220V/380V-2600W 6P	HEIZKORPER 2GR 220V/380V-2600 6P
1	17056	RES.2GR 4P 230/240V 4000W	HEATING ELEMENT 2GR 220/240V 4000W	RESISTANCE ELEC. 2GR 220/240V 4000W	HEIZKORPER 2GR 220/240V 4000W
1	17057	RESISTENZA 2GR 6P 230/380V 4000W	HEATING EL. 2GR 220/380V-4000W 6P	RESISTANCE 2GR 220/380V 4000W 6P.	HEIZKORPER 2GR 220/380V 4000W 6P
1	17058	RES.2GR 6P 230/380V 3000V	HEATING EL.2GR 220/380V-3000W 6POLE	RESISTANCE 2GR 220/380V-3000W 6POLE	HEIZKORPER 2GR 220/380V-3000W 6P
1	17059	RESISTENZA 2GR 6P 230/380V 3400W	HEATING EL.2GR 220/380V-3400W 6POLE	RESISTANCE 2GR 220/380V-3400W 6POLE	HEIZKORPER 2GR 220/380V-3400W 6P
1	17060	RESISTENZA 2GR 6P 230/380V 4500W	HEATING EL.2GR 230/380V 4500W 6POLE	RESISTANCE 2GR 230/380V 4500W 6POLE	HEIZKORPER 2GR 230/380V 4500W 6P
1	17061	RES.2GR 4P 440V 2600W	HEATING ELEMENT 2GR 440V 2600W 4P	RESISTANCE ELEC. 2GR 440V 2600W 4P	HEIZKORPER 2GR 440V 2600W 4P
1	17062	RES.2GR 4P 440V 4000W	HEATING ELEMENT 2GR 440V 4000W 4P	RESISTANCE ELEC. 2GR 440V 4000W 4P	HEIZKORPER 2GR 440V 4000W 4P
1	17100	RES.3GR 4P 120V 3700W	HEATING ELEMENT 3 GR 110V 3700W	RESISTANCE ELEC. 3GR 110V 3700W	HEIZKORPER 3GR 110V 3700W
1	17101	RES.3GR 4P 230/240V 3700W	HEATING ELEMENT 3GR 220/240V 3700W	RESISTANCE ELEC. 3GR 220/240V 3700W	HEIZKORPER 3GR 220/240V-3700W
1	17103	RES.3GR 4P 380V 5000W	HEATING ELEMENT 3GR 380V 3700W	RESISTANCE ELEC. 3GR 380V 3700W	HEIZKORPER 3GR 380V 3700W
1	17104	RES.3GR 6P 230/380V 3700W	HEATING EL. 3GR 220/380V 3700W 6P	RESISTANCE 3GR 220/380V 3700W 6P	HEIZKORPER 3GR 220/380V 3700W 6P
1	17106	RES.3GR 4P 230/240V 5000W	HEATING ELEMENT 3GR 220/240V 5000W	RESISTANCE ELEC. 3GR 220/240V 5000W	HEIZKORPER 3GR 220/240V 5000W
1	17107	RESISTENZA 3GR 6P 230/380V 5000W	HEATING EL. 3GR 220/380V 5000W 6P	RESISTANCE 3GR 220/380V 5000W 6P	HEIZKORPER 3GR 220/380V 5000W 6P
1	17114	RES.3GR 4P 440V 3700W	HEATING EL. 3GR 440V 3700W 4POLE	RESISTANCE 3GR 440V 3700W 4POLE	HEIZKORPER 3GR 440V 3700W 4P
1	17150	RES.4GR 4P 230/240V 5000W	HEATING ELEMENT 4GR 220/240V 5000W	RESISTANCE ELEC. 4GR 220/240V 5000W	HEIZKORPER 4GR 220/240V 5000W
1	17151	RES.4GR 6P 230/380V 5000W	HEATING EL. 4GR 220/380V 5000W 6P	RESISTANCE 4GR 220/380V 5000W 6P	HEIZKORPER 4GR 220/380V 5000W 6P
1	17152	RES.4GR 4P 230/240V 7000W	HEATING ELEMENT 4GR 220/240V 7000W	RESISTANCE ELEC. 4GR 220/240V 7000W	HEIZKORPER 4GR 220/240V 7000W
1	17153	RES.4GR 6P 230/380V 6000W	HEATING EL. 4GR 220/380V 7000W 6P	RESISTANCE 4GR 220/380V 7000W 6P	HEIZKORPER 4GR 220/380V 7000W 6P
1	17155	RES.4GR 4P 440V 5000W	HEATING EL. 4GR 440V 5000W 4POLES	RESISTANCE 4GR 440V 5000W 4POLES	HEIZKORPER 4GR 440V 5000W 4POLEN
2	23049	DADO OTTONE M8 UNI 5587	BRASS NUT M8 UNI 5587	ECROU LAITON M8 UNI 5587	MESSING-SCHRAUBENMUTTER M8 UNI 5587
3	23133	PRIGIONIERO INOX AISI304 8X30 DIN 939	STAINLESS STEEL BOLT AISI304 8X40	VIS INOX AISI304 8X40	STAHLSCHRAUBE 8X40 AISI304 8X40
4	23556	VITE TCEI INOX 10X20 UNI5931 DIN912	STEEL SCREW TCCE 10X20	VIS INOX TCCE 10X20	STAHLSCHRAUBE TCCE 10X20
5	12001	GUARNIZIONE TEFLON VERGINE X RES/SCA 58X	TEFLON GASKET ELEMENT/EXCH. 58X43X2	JOINT TEFLON RESIST/ECHANG. 58X43X2	TEFLON DICHTUNG 58X23X2
6	25782	TAPPO FEMMINA 1/4 GAS	1/4 GAS FEMALE TAP	BOUCHON FEMELLE 1/4 GAZ	INNENANSCHLUSSSTÖPSEL 1/4 GAS
7	12007	GUARNIZIONE KLINGERSIL4400	KLINGERSIL4400 COPPER SEAL	JOINT KLINGERSIL4400 POUR BOUCHON	DICHTUNG KLINGER SIL4400 X DECKEL
8	43060	RACCORDO 1/4X1/4X1/4 T	'T' CONNECTOR 1/4 + 1/4 + 1/4	RACCORD 'T' 1/4 + 1/4 + 1/4	T'-ANSCHLUSS 1/4+1/4+1/4
9	12101	GUARNIZIONE CU/ALIM 3/8 22X17X3	3/8 22X17X3 FEEDER/COPPER SEAL	JOINT CUIVRE/ALIM 3/8 22X17X3	KUPFERDICHTUNG/SPEIS. 3/8 22X17X3
10	25686	RACCORDO 1/4X1/4 FLANGIA	CONNECTOR 1/4 X 1/4 FLANGE	RACCORD 1/4 X 1/4 BRIDE	ANSCHLUSS 1/4X1/4 FLANSCH
11	12153	GUARNIZIONE CU 1/4 17X13.3X1.5	1/4 17X13.3X1.5 COPPER SEAL	JOINT CUIVRE 1/4 17X13.3X1.5	KUPFERDICHTUNG 1/4 17X13.3X1.5
12	53011	FLANGIA NORMALE SENZA FORI	FLANGE WITHOUT HOLES	BRIDE SANS TROUS	NORMALER FLANSCH OHNE LÖCHER
13	12003	GUARNIZIONE TEFLON VERGINEXCALDAIA 190X1	BOILER TEFLON GASKET 190X139X2	JOINT CHAUDIERE TEFLON 190X139X2	TEFLON KESSELDICHTUNG 190X139X2



Pos	Cod.	Denominazione - IT -	Denomination - GB -	Denomination - FR -	Denomination - DE -
14	62181	CALDAIA 2GR ER ESTRAIB AEA	BOILER 2GR DISTRIBUTION - A.W.R.	CHAUDIERE 2GR DEBIT- R.E.A.	KESSEL 2GR AUSGABE - A.W.F.
14	62186	CALDAIA 2GR ESTRAIBILE OVE	BOILER 2GR DISTRIBUTION OVE	CHAUDIERE 2GR DEBIT OVE	KESSEL 2GR AUSGABE OVE
14	62187	CALDAIA 2GR ER ESTRAIB + 3/8 AEA	BOILER 2GR DISTRIBUTION - A.W.R.	CHAUDIERE 2GR DEBIT- R.E.A.	KESSEL 2GR AUSGABE - A.W.F.
14	62220	CALDAIA 2GR ER ESTR. AEA +3/8 + 1TR	BOILER 2GR DISTRIBUTION+1 BULK UNIT	CHAUDIERE 2GR DEBIT + 1 T.RESERVE	KESSEL 2GR AUSGABE + 1 BRUHGRUPPE
14	62260	CALDAIA 3GR ER ESTRAIB AEA	BOILER 3GR DIST. AUT.WATER REFILL	CHAUDIERE 3GR DEBIT REM.EAU.AUT.	KESSEL 3GR AUSGABE AUT.WASSERFULL.
14	62266	CALDAIA 3GR ESTRAIBILE OVE	BOILER 3GR DISTRIBUTION - OVE	CHAUDIERE 3GR DEBIT - OVE	KESSEL 3GR AUSGABE - OVE
14	62375	CALDAIA 4GR ER ESTRAIB + 3/8 AEA	BOILER 4GR DIST. - AUT.WATER REFILL	CHAUDIERE 4GR DEBIT-REM.EAU AUT.	KESSEL 4GR AUSGABE - AUT.WASSERFULL
15	12154	GUARNIZIONE CU 3/8 22X17X1.5	3/8 22X17X1.5 COPPER SEAL	JOINT CUIVRE 3/8 22X17X1.5	KUPFERDICHTUNG 3/8 22X17X1.5
16	63100	SCAMBIATORE ESTRAIBILE D42 CURVO	EXTRACTABLE EXCHANGER D42 - BENT	ECHANGEUR EXTRAIBLE D42 - COURBE	AUSZIEHBARER WARMETAUSCHER D42
17	43052	RACCORDO "L" 3/8	CONNECTOR 'L' 3/8	RACCORD 'L' 3/8	ANSCHLUSS 'L' 3/8
18	25687	RACCORDO 3/8X3/8 GAS	3/8X3/8 GAS FITTING	RACCORD 3/8X3/8 GAZ	ANSCHLUSS 3/8X3/8 GAS
19	56150	VALVOLA ANTIRISUCCHIO V.A.R.	ANTI-EDDY VALVE V.A.R.	SOUPAPE ANTI-DEPRESSION V.A.R.	VENTIL UNTERDRUCKFREI V.A.R.
20	15422010	RACCORDO "Y" POLIPROPILENE D-10 ART.467	"Y" POLIPROPILENE FITTING	RACCORD "Y" POLIPROPILENE	ANSCHLUSS "Y" POLIPROPILENE
21	25780	TAPPO MASCHIO OTTONE 1/4	BRASS MALE CAP 1/4	BOUCHON MALE LAITON 1/4	MESSING-STOPFEN 1/4
22	52000119	TBS.D-10 L.125 PESCANTE "L" A 50/A	D-10 125 L PIPE CUPWARMER AT 50/A	TUYAU D-10 L.125 POUR ASPIRATION "L" A 50/A	ROHR D.10 L.125 A 50/A
23	52000118	TBS.D-10 L.130 AL - ER A 50 PESCANTE CAL	TUBE D-10 L.100 AL A50	TUYAU D-10 L.100 AL A50	ROHR D-10 L.100 AL A50
24	20251	SONDA LIVELLO TL 10/B L125 908600	TL 10/B L125 900000 LEVEL PROBE	JAUGE TL 10/B L125 900000	PEGELFÜHLER TL 10/B L125 900000
25	43033	RACCORDO "T" 3/8X3/8X1/4	3/8X3/8X1/4 T FITTING	RACCORD "T" 3/8X3/8X1/4	ANSCHLUSS 3/8X3/8X1/4 T
26	25785	TAPPO MASCHIO 3/8	MALE CAP 3/8	BOUCHON MALE 3/8	STOPFEN 3/8
27	15006001	FLANGIA GRIGOLY VALVOLA SIC.	FLANGE GRIVORY VALVE	JOINT GRIVORY VANNE	FLANSCH GRIVORY VENTIL
28	20352	VALVOLA DI SICUREZZA *CE*	*CE* SAFETY VALVE	SOUPAPE DE SECURITE *CE*	SICHERHEITSVENTIL *CE*
28	20356	VALVOLA DI SICUREZZA CE ITALIA	*CE* SAFETY VALVE ITALY	SOUPAPE DE SECURITE *CE* ITALY	SICHERHEITSVENTIL *CE* ITALY
29	15478002	TUBO SILICONE 8X11 L.70CM	SILICONE TUBE 8X11 L.70CM	TUYAU SILICONE 8X11 L.70CM	SILIKONROHR 8X11 L.70CM
30	12300000	GUARNIZIONE OR 3156 VITON X PISTONI	O RING VITON	JOINT OR VITON	OR DICHTUNG VITON
31	56009980	ASSIEME PROTEZIONE VALVOLE SICUREZZA	UNIT PROTECTION VALVE	ENSEMBLE PROTECTION VANNE	SATZ-SCHUTZGITTER VENTIL

IAE

INDICE - INDEX - SOMMAIRE - VERZEICHNIS

IAE-01

Automatico entrata acqua - Automatic water refill
Remplissage eau automatique - Automatische wasserzufuhr

JUN-1GR

IAE-02

Automatico entrata acqua - Automatic water refill
Remplissage eau automatique - Automatische wasserzufuhr

2-3-4GR

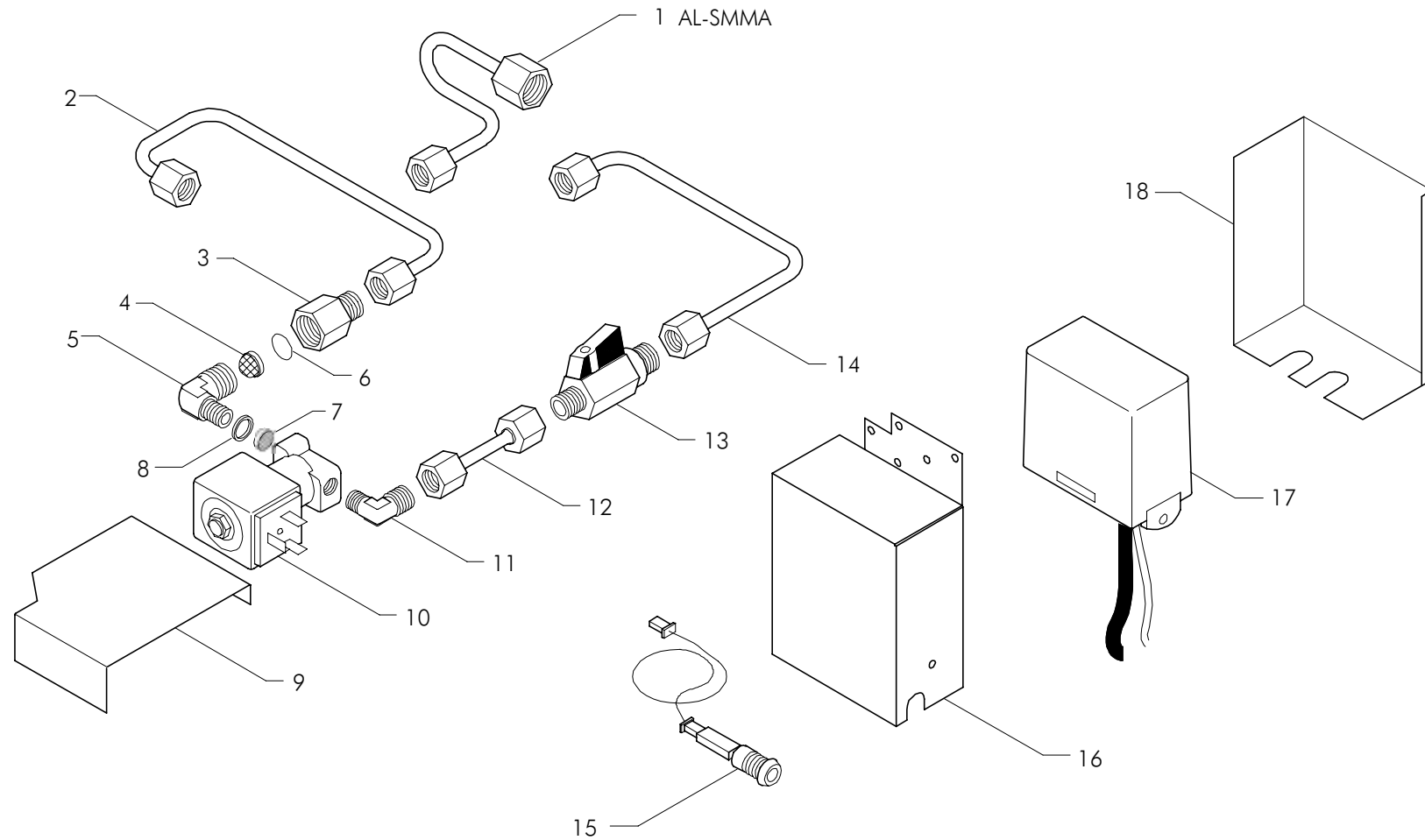
*Automatico
entrata acqua*

*Automatic
water refill*

*Remplissage
eau
automatique*

*Automatische
wasserzufuhr*

Pos	Cod.	Denominazione - IT -	Denomination - GB -	Denomination - FR -	Denomination - DE -
1	52001346	TBS.D-8 L.155 1-4GR AL LD 37	TUBE D-8 L.155	TUYAU D-8 L.155	ROHR D-8 L.155
2	20354	VALVOLA CHIUSURA AEA	PRESSURE RELEASE TAP BULK UNIT	CLAPET FERMETURE AUT.ARRIVEE EAU	ABSPERRVENTIL X AUT.WASSERZUFUHR
3	52000111	TBS.D-8 L.480 1GR A 47 VALVOLA	TUBE D-8 L.480 1GR A/47	TUYAU D-8 L. 480 1GR A 47	ROHR D-8 L. 480 1GR A47
4	77691F	PROTEZIONE CENTRALINA RL30	RL30 GEARCASE PROTECTION FOR SUPP.	PROTECTION RL30	SCHUTZGITTER RL30
5	25741	RIDUZIONE AEA MOTORE INCORPORATO	AUTOMATIC WATER REFILL REDUCTION	REDUCTION REMPLISSAGE EAU AUTOMAT.	REDUKTION AUT.WASSERFULLUNG
6	12312	GUARNIZIONE OR FILTRO AEA 10X2	O RING FOR WATER REFILL FILTER 10X2	JOINT OR FILTRE AUT.REM.EAU 10X2	OR DICHTUNG FUR WASSERFULLUNGFILTER
7	10254	FILTRO ACCIAIO 160-200 MESH	STEEL FILTER 160-200 MESH	FILTRE EN ACIER 160-200 MESH	STAHLFILTER 160-200 MESH
8	23206	RACCORDO GOM.D10 3/8X1/8CON F3	ELBOW BRASS CONNECTOR D10 3/8X1/8	RACCORD COUDE LAITON D10 3/8X1/8	MESSING FITTING D10 3/8X1/8
9	12155	GUARNIZIONE CU 8.5X5X1	COPPER GASKET 8.5X5X1	JOINT CU 8.5X5X1	CU DICHTUNG 8.5X5X1
10	10251001	FILTRO IN ACCIAIO D-8 SP.0,3	STEEL FILTER D-8 - 0.3 THICK	FILTRE EN ACIER D-8 EP.0,3	STAHLFILTER D-8 SP.0,3
11	18162	ELETTRIVAL. 230V AEA VE140.2IR VDE/UL	SOL.VALVE WATER REFILL 230V PARKER	ELECTROVANNE REA 230V PARKER	ELEKTROVENTIL AWZ 230V PARKER
11	18195	ELETTRIVAL. 120V VE140.2IR VDE/UL PAR	SOLENOID VALVE SCEM 2/2 110V 60HZ	ELECTROVANNE SCEM 2/2 110V 60HZ	MAGNETVENTIL SCEM 2/2 110V 60HZ
12	23201	RACCORDO OTT.GOM.D6.2 1/4X1/8-AEA	ELBOW BRASS CONNECTOR D6.2 1/4X1/8	RACCORD COUDE LAITON D6.2 1/4X1/8	MESSING-ANSCHLUSS D6.2 1/4X1/8
13	52000115	TUB.D-6 L.160 1-4GR NUOVE A 48/A .	TUBE D-6 L.160 1-4GR NEW A 48/A	TUYAU D-6 L.160 1-4GR NOUVEAUA 48/A	ROHR D-6 L. 160 1-4 GR A 48/A
14	52000242	TUB.D-6 L.190 DV 43 EV AEA	D-6 190 L PIPE DV 43	TUYAU D-6 L.190 DV 4	ROHR D. 6 L.190 DV 4
15	18080001	REGOLAT. LIVELLO RL30/T.O.220/240V	LEVEL CONTROL RL30/T.O.220/240V	CONTROLE NIVEAU RL30/T.O.220/240V	WASSERNIVEAUREGLER RL30/TO 220/240V
15	18081001	REGOLAT. LIVELLO RL30/TIMEOUT 120V	LEVEL CONTROL RL30/TIMEOUT 120V	CONTROLE NIVEAU RL30/TIMEOUT 120V	WASSERNIVEAUREGLER RL30/TO 120V
16	78200	SUPPORTO AEA RL30 X TUTTI I TELAI	AWR BEARING RL30XALL MODUL.FRAMES	SUPPORT REA RL30 POUR TOUS CHASSIS	AWF HALTER RL30XFUR ALLE MOD.RAHMEN
17	22625	CAVO 1/2GR RL30/TIMEOUT CON LED	1/2 CABLE TIMEOUT UNIT WITH LED	CABLE 1/2 GR. RL30/TIMEOUT LED	KABEL 1/2GR. RL30/TIMEOUT MIT LED
18	52000344	TBS.D-6 L.550 1GR DV 42/C	TUBE D-6 L.530	TUYAU D-6 L.530	ROHR D-6 L.530
19	52003303	TUB.D-6 L.600 CW 4	TUBE D-6 L.600 CW 4	TUYAU D-6 L.600 CW 4	ROHR D-6 L.600 CW 4
20	25782	TAPPO FEMMINA 1/4 GAS	1/4 GAS FEMALE TAP	BOUCHON FEMELLE 1/4 GAZ	INNENANSCHLUSSSTÖPSEL 1/4 GAS
21	12007	GUARNIZIONE KLINGERSIL4400	KLINGERSIL4400 COPPER SEAL	JOINT KLINGERSIL4400 POUR BOUCHON	DICHTUNG KLINGER SIL4400 X DECKEL



Pos	Cod.	Denominazione - IT -	Denomination - GB -	Denomination - FR -	Denomination - DE -
1	52001475	TBS.D-6 L.150 AL/2>4GR AEA AR 96	TUBE D-6 L.150	TUYAU D-6 L.150	ROHR D-6 L.150
2	52000321	TBS.D-6 L.255 DV 5/A	D-6 255 L PIPE DV 5/A	TUYAU D-6 L.255 DV 5/	ROHR D. 6 L.255 DV 5/
3	25705	RACCORDO FILTRO AEA	AUT.WATER REFILL FILTER CONNECTOR	RACCORD FILTRE REM.EAU.AUT.	FILTERFITTING AUT.WASSERFULLUNG
4	10254	FILTRO ACCIAIO 160-200 MESH	STEEL FILTER 160-200 MESH	FILTRE EN ACIER 160-200 MESH	STAHLFILTER 160-200 MESH
5	23206	RACCORDO GOM.D10 3/8X1/8CON F3	ELBOW BRASS CONNECTOR D10 3/8X1/8	RACCORD COUDE LAITON D10 3/8X1/8	MESSING FITTING D10 3/8X1/8
6	12312	GUARNIZIONE OR FILTRO AEA 10X2	O RING FOR WATER REFILL FILTER 10X2	JOINT OR FILTRE AUT.REM.EAU 10X2	OR DICHTUNG FUR WASSERFULLUNGFILTER
7	10251001	FILTRO IN ACCIAIO D-8 SP.0,3	STEEL FILTER D-8 - 0.3 THICK	FILTRE EN ACIER D-8 EP.0,3	STAHLFILTER D-8 SP.0,3
8	12155	GUARNIZIONE CU 8.5X5X1	COPPER GASKET 8.5X5X1	JOINT CU 8.5X5X1	CU DICHTUNG 8.5X5X1
9	77604	COPRIELETTRORIVALVOLA AEA WO/WN	AEA SOLENOID VALVE COVER	COUVRE-ELECTROVANNE AEA	ABDECKUNG ELEKTROVENTIL AEA
10	18162	ELETTROVAL. 230V AEA VE140.2IR VDE/UL	SOL.VALVE WATER REFILL 230V PARKER	ELECTROVANNE REA 230V PARKER	ELEKTROVENTIL AWZ 230V PARKER
10	18195	ELETTROVAL. 120V VE140.2IR VDE/UL PAR	SOLENOID VALVE SCEM 2/2 110V 60HZ	ELECTROVANNE SCEM 2/2 110V 60HZ	MAGNETVENTIL SCEM 2/2 110V 60HZ
11	23201	RACCORDO OTT.GOM.D6.2 1/4X1/8-AEA	ELBOW BRASS CONNECTOR D6.2 1/4X1/8	RACCORD COUDE LAITON D6.2 1/4X1/8	MESSING-ANSCHLUSS D6.2 1/4X1/8
12	52000202	TBS.D-6 L.65 DV 3	D-6 65 L PIPE DV 3	TUYAU D-6 L.65 DV	ROHR D. 6 L.65 DV
13	20354	VALVOLA CHIUSURA AEA	PRESSURE RELEASE TAP BULK UNIT	CLAPET FERMETURE AUT.ARRIVEE EAU	ABSPERRVENTIL X AUT.WASSERZUFUHR
14	52000205	TUB.D-6 L.230 DV 6	D-6 230 L PIPE DV 6	TUYAU D-6 L.230 DV	ROHR D. 6 L.230 DV
15	22625	CAVO 1/2GR RL30/TIMEOUT CON LED	1/2 CABLE TIMEOUT UNIT WITH LED	CABLE 1/2 GR. RL30/TIMEOUT LED	KABEL 1/2GR. RL30/TIMEOUT MIT LED
16	78200	SUPPORTO AEA RL30 X TUTTI I TELAI	AWR BEARING RL30XALL MODUL.FRAMES	SUPPORT REA RL30 POUR TOUS CHASSIS	AWF HALTER RL30XFUR ALLE MOD.RAHMEN
17	18080001	REGOLAT. LIVELLO RL30/T.O.220/240V	LEVEL CONTROL RL30/T.O.220/240V	CONTROLE NIVEAU RL30/T.O.220/240V	WASSERNIVEAUREGLER RL30/TO 220/240V
17	18081001	REGOLAT. LIVELLO RL30/TIMEOUT 120V	LEVEL CONTROL RL30/TIMEOUT 120V	CONTROLE NIVEAU RL30/TIMEOUT 120V	WASSERNIVEAUREGLER RL30/TO 120V
18	77691F	PROTEZIONE CENTRALINA RL30	RL30 GEARCASE PROTECTION FOR SUPP.	PROTECTION RL30	SCHUTZGITTER RL30

INDICE - INDEX - SOMMAIRE - VERZEICHNIS

rev.

IES-01

Impianto idraulico scambiatore a **ESTRAIBILE**
Hydraulic circuit cartridge heating **EXTRACTABLE** **AEP/AEAP** **JUN - 1GR** **01**
Circuit hydraulique échangeur **EXTRAIBLE** **SMSA/SMAT** **06/2004**
Wasser-anlage **AUSZIEHBAR AUSTAUSCHER**

IES-02

Impianto idraulico scambiatore a **ESTRAIBILE**
Hydraulic circuit cartridge heating **EXTRACTABLE** **AEP/AEAP** **2-3-4 GR** **01**
Circuit hydraulique échangeur **EXTRAIBLE** **SMSA/SMAT** **06/2004**
Wasser-anlage **AUSZIEHBAR AUSTAUSCHER**

IES-03

Impianto idraulico scambiatore a **ESTRAIBILE**
Hydraulic circuit cartridge heating **EXTRACTABLE** **SAE** **JUN - 1GR** **01**
Circuit hydraulique échangeur **EXTRAIBLE** **SME** **06/2004**
Wasser-anlage **AUSZIEHBAR AUSTAUSCHER**

IES-04

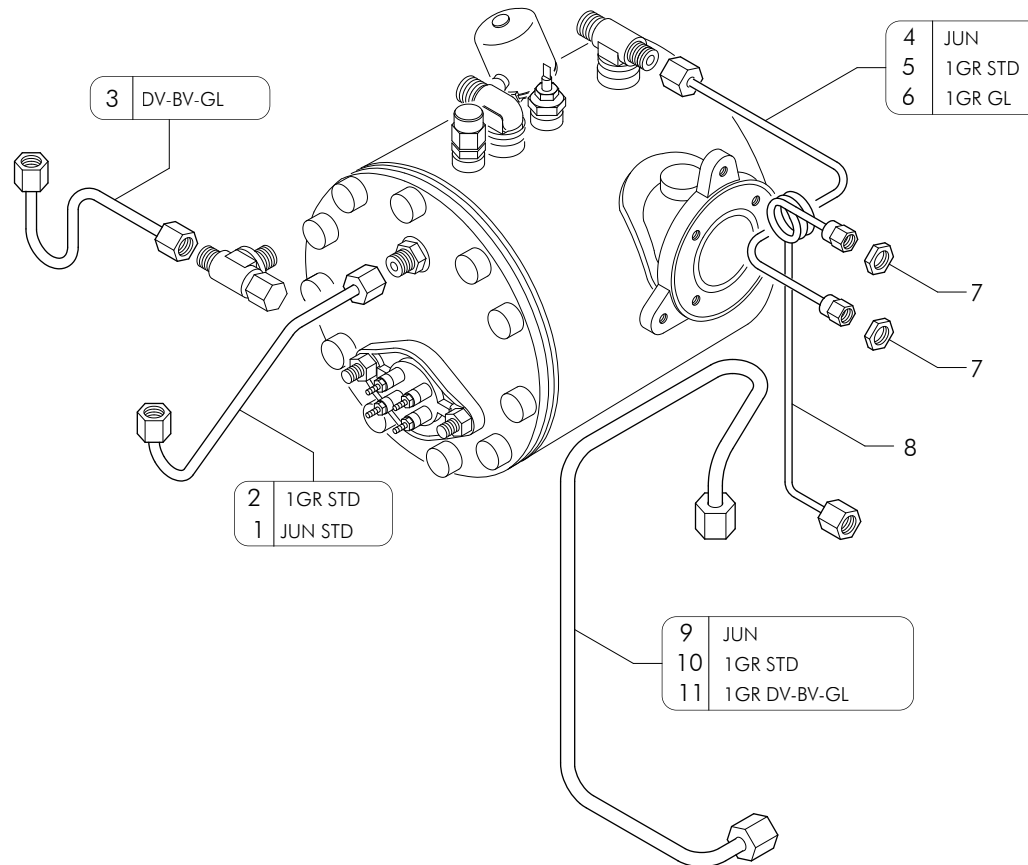
Impianto idraulico scambiatore a **ESTRAIBILE**
Hydraulic circuit cartridge heating **EXTRACTABLE** **SAE** **2-3-4 GR** **01**
Circuit hydraulique échangeur **EXTRAIBLE** **SME** **06/2004**
Wasser-anlage **AUSZIEHBAR AUSTAUSCHER**

Impianto idraulico
ESTRAIBILE

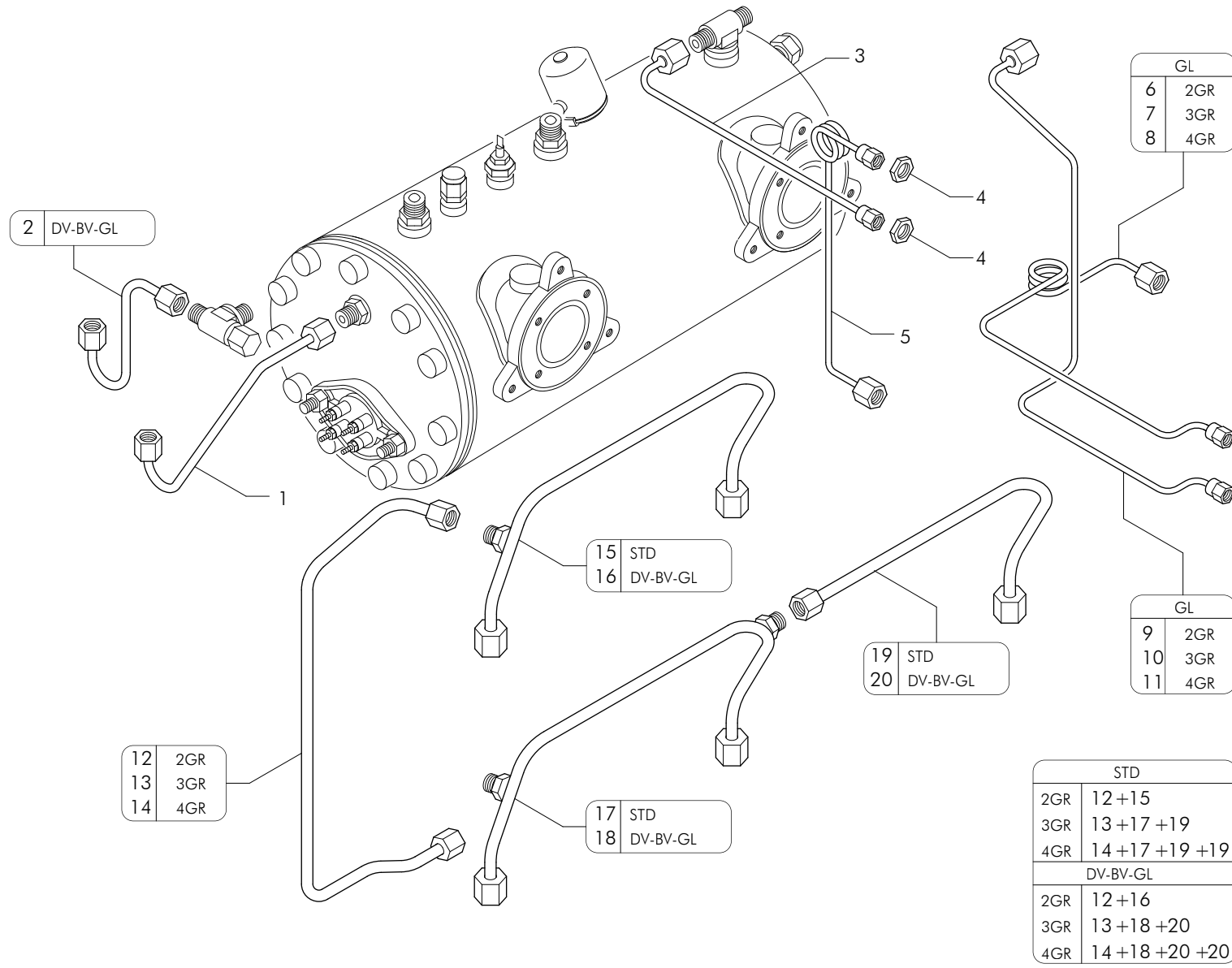
Hydraulic circuit
cartridge heating
EXTRACTABLE

Circuit hydraulique
échangeur
EXTRAIBLE

Wasser-anlage
AUSZIEHBAR
AUSTAUSCHER



Pos	Cod.	Denominazione - IT -	Denomination - GB -	Denomination - FR -	Denomination - DE -
1	52001409	TUB.D-6 L.320 JUN AR 12 CALDAIA	TUBE D-6 L.320	TUYAU D-6 L.320	ROHR D-6 L.320
2	52001107	TUB.D-6 L.300 2-3GR LD N. UL 8	TUBE D-6 L.300 2-3GR LD N. UL8	TUYAU D-6 L.300 2-3GR LD N. UL8	ROHR D-6 L.300 2-3GR LD N. UL8
3	52001225	TUB.D.6 L.220 2GR N 22 CALDAIA	TUBE D-6 L.220 2GR N22	TUYAU D-6 L.220 2GR N22	ROHR D-6 L.220 2GR N22
4	52000291	TBS.D-4 L.285 DV 92 CALDAIA	TUBE D-4 L.285 DV 92	TUYAU D-4 L.285 DV 92	ROHR D-4 L.285 DV 92
5	52001433	TBS.D-4 L.310 2-3GR CTS AR 56 CALD	TUBE D-4 L.310	TUYAU D-4 L.310	ROHR D-4 L.310
6	52000419	TUBO D-4 L.635 1GR GL20	TUBE D-4 L.635 1GR GL20	TUYAU D-4 L.635 1GR GL20	ROHR D-4 L.635 1GR GL20
7	25395	DADO 1/8 MANOMETRO	1/8 NUT GAUGE	ECROU 1/8 MANOMETRE	MUTTER 1/8 MANOMETER
8	52000110	TBS.D-4 L.730 1-4GR A 44	TUBE D-4 L.730 1-4 GR A 44	TUYAU D-4 L.730 1-4GR A 44	ROHR D-4 L.730 1-4GR A 44
9	52000351	TBS.D-8 L.745 JUN/ESTR DV123 SCNR	TUBE D-8 L.745 DV123	TUYAU D-8 L.745 DV123	ROHR D-8 L.745 DV123
10	52001456	TBS.D-8 L.765 1GR AEP ESTR. AR 77	TUBE D-8 L.765	TUYAU D-8 L.765	ROHR D-8 L.765
11	52001489	TBS.D-8 L.765 AR 108	TUBE D-8 L.765	TUYAU D-8 L.765	ROHR D-8 L.765



GL	
6	2GR
7	3GR
8	4GR

GL	
9	2GR
10	3GR
11	4GR

12	2GR
13	3GR
14	4GR

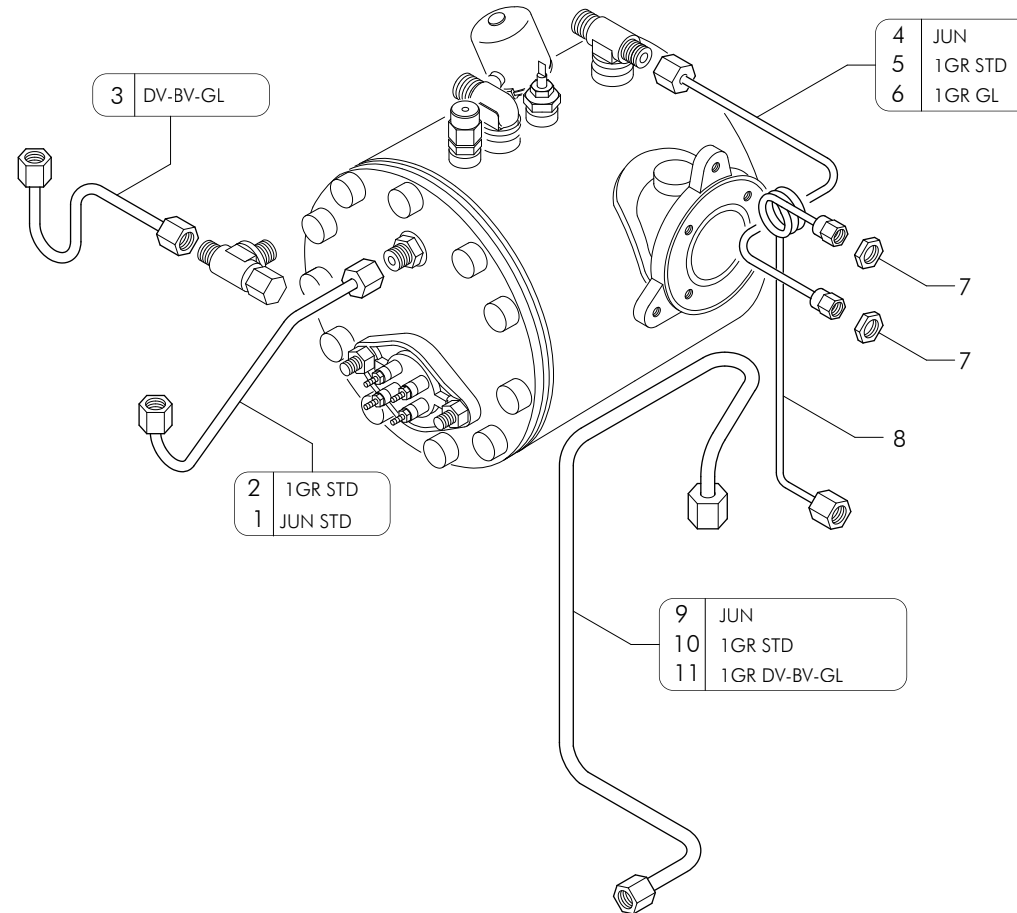
15	STD
16	DV-BV-GL

19	STD
20	DV-BV-GL

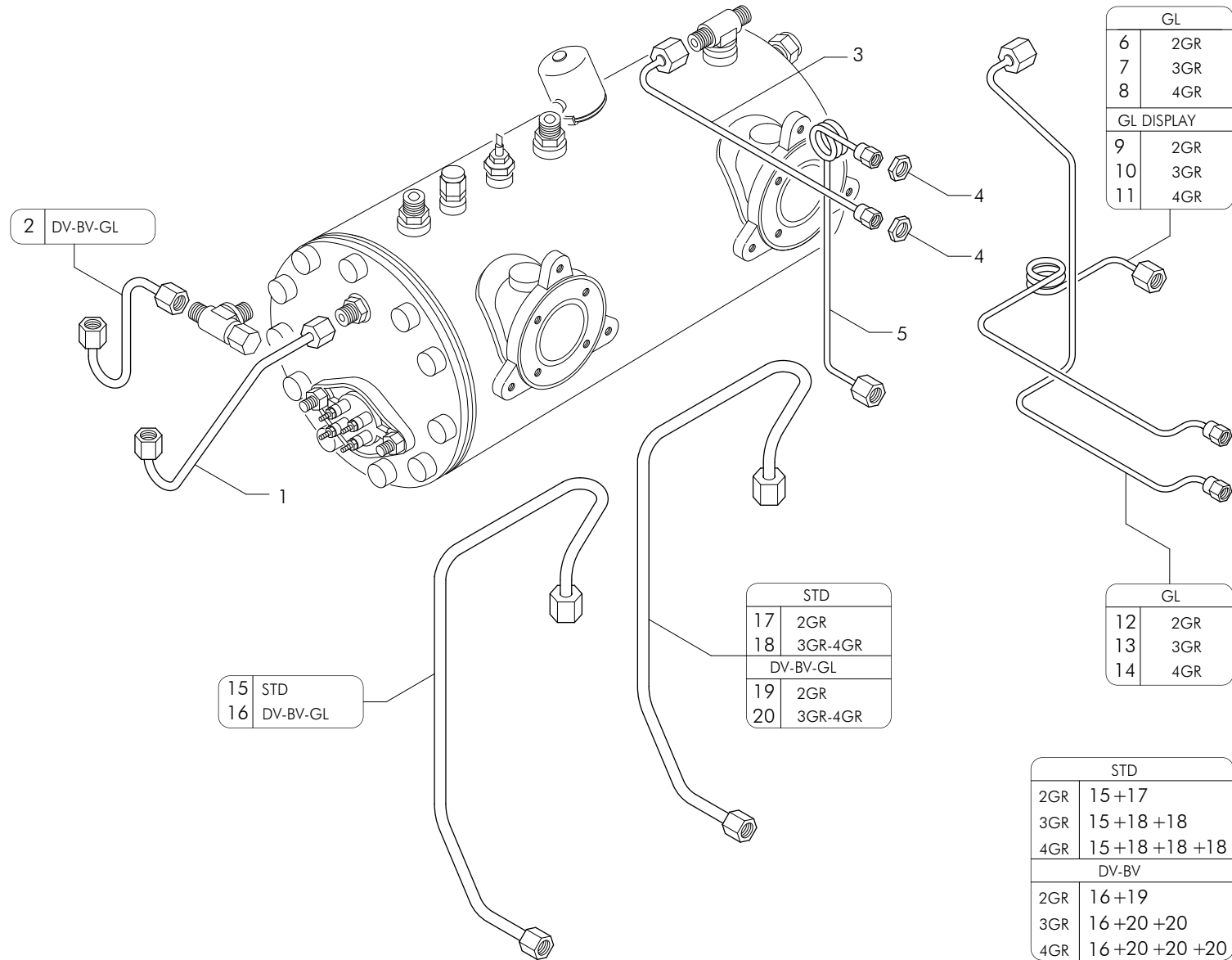
17	STD
18	DV-BV-GL

STD	
2GR	12+15
3GR	13+17+19
4GR	14+17+19+19
DV-BV-GL	
2GR	12+16
3GR	13+18+20
4GR	14+18+20+20

Pos	Cod.	Denominazione - IT -	Denomination - GB -	Denomination - FR -	Denomination - DE -
1	52001107	TUB.D-6 L.300 2-3GR LD N. UL 8 CALD	TUBE D-6 L.300 2-3GR LD N. UL8	TUYAU D-6 L.300 2-3GR LD N. UL8	ROHR D-6 L.300 2-3GR LD N. UL8
2	52000352	TUB.D-6 L.230 ESTR. DV21/A	TUBE D-6 L.230 DV21/A	TUYAU D-6 L.230 DV21/A	ROHR D-6 L.230 DV21/A
3	52001433	TBS.D-4 L.310 2-3GR CTS AR 56 CALD	TUBE D-4 L.310	TUYAU D-4 L.310	ROHR D-4 L.310
4	25395	DADO 1/8 MANOMETRO	1/8 NUT GAUGE	ECROU 1/8 MANOMETRE	MUTTER 1/8 MANOMETER
5	52000110	TBS.D-4 L.730 1-4GR A 44	TUBE D-4 L.730 1-4 GR A 44	TUYAU D-4 L.730 1-4GR A 44	ROHR D-4 L.730 1-4GR A 44
6	52000404	TBS.D-4 L.625 GL5	TUBE D-4 L.625 GL5	TUYAU D-4 L.625 GL5	ROHR D-4 L.625 GL5
7	52000413	TBS.D-4 L.750 GL14	TUBE D-4 L.750 GL14	TUYAU D-4 L.750 GL14	ROHR D-4 L.750 GL14
8	52000428	TBS.D-4 L.230 GL29	TUBE D-4 L.230 GL29	TUYAU D-4 L.230 GL29	ROHR D-4 L.230 GL29
9	52000405	TBS.D-4 L.700 GL6	TUBE D-4 L.700 GL6	TUYAU D-4 L.700 GL6	ROHR D-4 L.700 GL6
10	52000414	TBS.D-4 L.800 GL15	TUBE D-4 L.800 GL15	TUYAU D-4 L.800 GL15	ROHR D-4 L.800 GL15
11	52000429	TBS.D-4 L.230 GL30	TUBE D-4 L.230 GL30	TUYAU D-4 L.230 GL30	ROHR D-4 L.230 GL30
12	52001450	TBS.D-8 L.615 2GR AEP ESTR. AR 72	TUBE D-8 L.615 2GR	TUYAU D-8 L.615 2GR	ROHR D-8 L.615 2GR
13	52001463	TBS.D-8 L.835 3GR AEP ESTR. AR 84	TUBE D-8 L.835	TUYAU D-8 L.835	ROHR D-8 L.835
14	52001470	TBS.D-8 L.1110 4GR AEP ESTR.AR 91	TUBE D-8 L.1110	TUYAU D-8 L.1110	ROHR D-8 L.1110
15	52000071	TBS.D-8 L.460 2GR A 14/SC GRUPPO SX	TUBE D-8 L.460 2GR	TUYAU D-8 L.460 2GR	ROHR D-8 L.460 2GR
16	52001491	TBS.D-8 L.485 AR 110	TUBE D-8 L.485	TUYAU D-8 L.485	ROHR D-8 L.485
17	52000072	TBS.D-8 L.460 3-4GR A 14/SD 1 GR	TUBE D-8 L.460 3-4GR	TUYAU D-8 L.460 3-4GR	ROHR D-8 L.460 3-4GR
18	52001481	TBS.D-8 L.485 AR 102 PONTE GR.SX	TUBE D-8 L.485	TUYAU D-8 L.485	ROHR D-8 L.485
19	52000073	TBS.D-8 L.320 3GR A 14/SE PONTE	TUBE D-8 L.320 3GR	TUYAU D-8 L.320 3GR	ROHR D-8 L.320 3GR
20	52001482	TBS.D-8 L.360 AR 103 TUB.AR 102	TUBE D-8 L.360	TUYAU D-8 L.360	ROHR D-8 L.360



Pos	Cod.	Denominazione - IT -	Denomination - GB -	Denomination - FR -	Denomination - DE -
1	52001409	TUB.D-6 L.320 JUN AR 12 CALDAIA	TUBE D-6 L.320	TUYAU D-6 L.320	ROHR D-6 L.320
2	52001107	TUB.D-6 L.300 2-3GR LD N. UL 8 CALD	TUBE D-6 L.300 2-3GR LD N. UL8	TUYAU D-6 L.300 2-3GR LD N. UL8	ROHR D-6 L.300 2-3GR LD N. UL8
3	52001225	TUB.D.6 L.220 2GR N 22 CALDAIA	TUBE D-6 L.220 2GR N22	TUYAU D-6 L.220 2GR N22	ROHR D-6 L.220 2GR N22
4	52000291	TBS.D-4 L.285 DV 92 CALDAIA	TUBE D-4 L.285 DV 92	TUYAU D-4 L.285 DV 92	ROHR D-4 L.285 DV 92
5	52001433	TBS.D-4 L.310 2-3GR CTS AR 56 CALD	TUBE D-4 L.310	TUYAU D-4 L.310	ROHR D-4 L.310
6	52000419	TUBO D-4 L.635 1GR GL20	TUBE D-4 L.635 1GR GL20	TUYAU D-4 L.635 1GR GL20	ROHR D-4 L.635 1GR GL20
7	25395	DADO 1/8 MANOMETRO	1/8 NUT GAUGE	ECROU 1/8 MANOMETRE	MUTTER 1/8 MANOMETER
8	52000110	TBS.D-4 L.730 1-4GR A 44	TUBE D-4 L.730 1-4 GR A 44	TUYAU D-4 L.730 1-4GR A 44	ROHR D-4 L.730 1-4GR A 44
9	52000351	TBS.D-8 L.745 JUN/ESTR DV123 SCNR	TUBE D-8 L.745 DV123	TUYAU D-8 L.745 DV123	ROHR D-8 L.745 DV123
10	52001456	TBS.D-8 L.765 1GR AEP ESTR. AR 77	TUBE D-8 L.765	TUYAU D-8 L.765	ROHR D-8 L.765
11	52001489	TBS.D-8 L.765 AR 108	TUBE D-8 L.765	TUYAU D-8 L.765	ROHR D-8 L.765



2 DV-BV-GL

15 STD
 16 DV-BV-GL

STD	
17	2GR
18	3GR-4GR
DV-BV-GL	
19	2GR
20	3GR-4GR

GL	
6	2GR
7	3GR
8	4GR
GL DISPLAY	
9	2GR
10	3GR
11	4GR

GL	
12	2GR
13	3GR
14	4GR

STD	
2GR	15+17
3GR	15+18+18
4GR	15+18+18+18
DV-BV	
2GR	16+19
3GR	16+20+20
4GR	16+20+20+20

Pos	Cod.	Denominazione - IT -	Denomination - GB -	Denomination - FR -	Denomination - DE -
1	52001107	TUB.D-6 L.300 2-3GR LD N. UL 8 CALD	TUBE D-6 L.300 2-3GR LD N. UL8	TUYAU D-6 L.300 2-3GR LD N. UL8	ROHR D-6 L.300 2-3GR LD N. UL8
2	52000352	TUB.D-6 L.230 ESTR. DV21/A	TUBE D-6 L.230 DV21/A	TUYAU D-6 L.230 DV21/A	ROHR D-6 L.230 DV21/A
3	52001433	TBS.D-4 L.310 2-3GR CTS AR 56 CALD	TUBE D-4 L.310	TUYAU D-4 L.310	ROHR D-4 L.310
4	25395	DADO 1/8 MANOMETRO	1/8 NUT GAUGE	ECROU 1/8 MANOMETRE	MUTTER 1/8 MANOMETER
5	52000110	TBS.D-4 L.730 1-4GR A 44	TUBE D-4 L.730 1-4 GR A 44	TUYAU D-4 L.730 1-4GR A 44	ROHR D-4 L.730 1-4GR A 44
6	52000404	TBS.D-4 L.625 GL5	TUBE D-4 L.625 GL5	TUYAU D-4 L.625 GL5	ROHR D-4 L.625 GL5
7	52000413	TBS.D-4 L.750 GL14	TUBE D-4 L.750 GL14	TUYAU D-4 L.750 GL14	ROHR D-4 L.750 GL14
8	52000428	TBS.D-4 L.230 GL29	TUBE D-4 L.230 GL29	TUYAU D-4 L.230 GL29	ROHR D-4 L.230 GL29
9	52000422	TBS.D-4 L.620 GL23	TUBE D-4 L.620 GL23	TUYAU D-4 L.620 GL23	ROHR D-4 L.620 GL23
10	52000423	TBS.D-4 L.750 GL24	TUBE D-4 L.750 GL24	TUYAU D-4 L.750 GL24	ROHR D-4 L.750 GL24
11	52000424	TBS.D-4 L.750 GL25	TUBE D-4 L.750 GL25	TUYAU D-4 L.750 GL25	ROHR D-4 L.750 GL25
12	52000405	TBS.D-4 L.700 GL6	TUBE D-4 L.700 GL6	TUYAU D-4 L.700 GL6	ROHR D-4 L.700 GL6
13	52000414	TBS.D-4 L.800 GL15	TUBE D-4 L.800 GL15	TUYAU D-4 L.800 GL15	ROHR D-4 L.800 GL15
14	52000429	TBS.D-4 L.230 GL30	TUBE D-4 L.230 GL30	TUYAU D-4 L.230 GL30	ROHR D-4 L.230 GL30
15	52001449	TBS.D-8 L.670 2GR SAE ESTR. AR 71	TUBE D-8 L.670 2GR	TUYAU D-8 L.670 2GR	ROHR D-8 L.670 2GR
16	52001483	TBS.D-8 L.700 AR 104	TUBE D-8 L.700	TUYAU D-8 L.700	ROHR D-8 L.700
17	52001448	TBS.D-8 L.740 2GR SAE ESTR. AR 70	TUBE D-8 L.740 2GR	TUYAU D-8 L.740 2GR	ROHR D-8 L.740 2GR
18	52001462	TBS.D-8 L.875 3GR SAE ESTR. AR 83	TUBE D-8 L.875	TUYAU D-8 L.875	ROHR D-8 L.875
19	52001484	TBS.D-8 L.770 AR 105	TUBE D-8 L.770	TUYAU D-8 L.770	ROHR D-8 L.770
20	52001485	TBS.D-8 L.890 AR 106	TUBE D-8 L.890	TUYAU D-8 L.890	ROHR D-8 L.890

INF

INDICE - INDEX - SOMMAIRE - VERZEICHNIS

rev.

INF-01

Impianto idraulico inferiore - Hydraulic circuit lower
Circuit hydraulique inférieure - Wasser-anlage unten

AEP/AEAP
SMSA/SMAT

JUN

01
06/2004

INF-02

Impianto idraulico inferiore - Hydraulic circuit lower
Circuit hydraulique inférieure - Wasser-anlage unten

AEP/AEAP
SMSA/SMAT

1 GR

01
06/2004

INF-03

Impianto idraulico inferiore - Hydraulic circuit lower
Circuit hydraulique inférieure - Wasser-anlage unten

AEP/AEAP
SMSA/SMAT

2-3-4 GR

01
06/2004

INF-04

Impianto idraulico inferiore - Hydraulic circuit lower
Circuit hydraulique inférieure - Wasser-anlage unten

SAE
SME

JUN

01
06/2004

INF-05

Impianto idraulico inferiore - Hydraulic circuit lower
Circuit hydraulique inférieure - Wasser-anlage unten

SAE
SME

1 GR

01
06/2004

INF-06

Impianto idraulico inferiore - Hydraulic circuit lower
Circuit hydraulique inférieure - Wasser-anlage unten

SAE
SME

2-3-4 GR

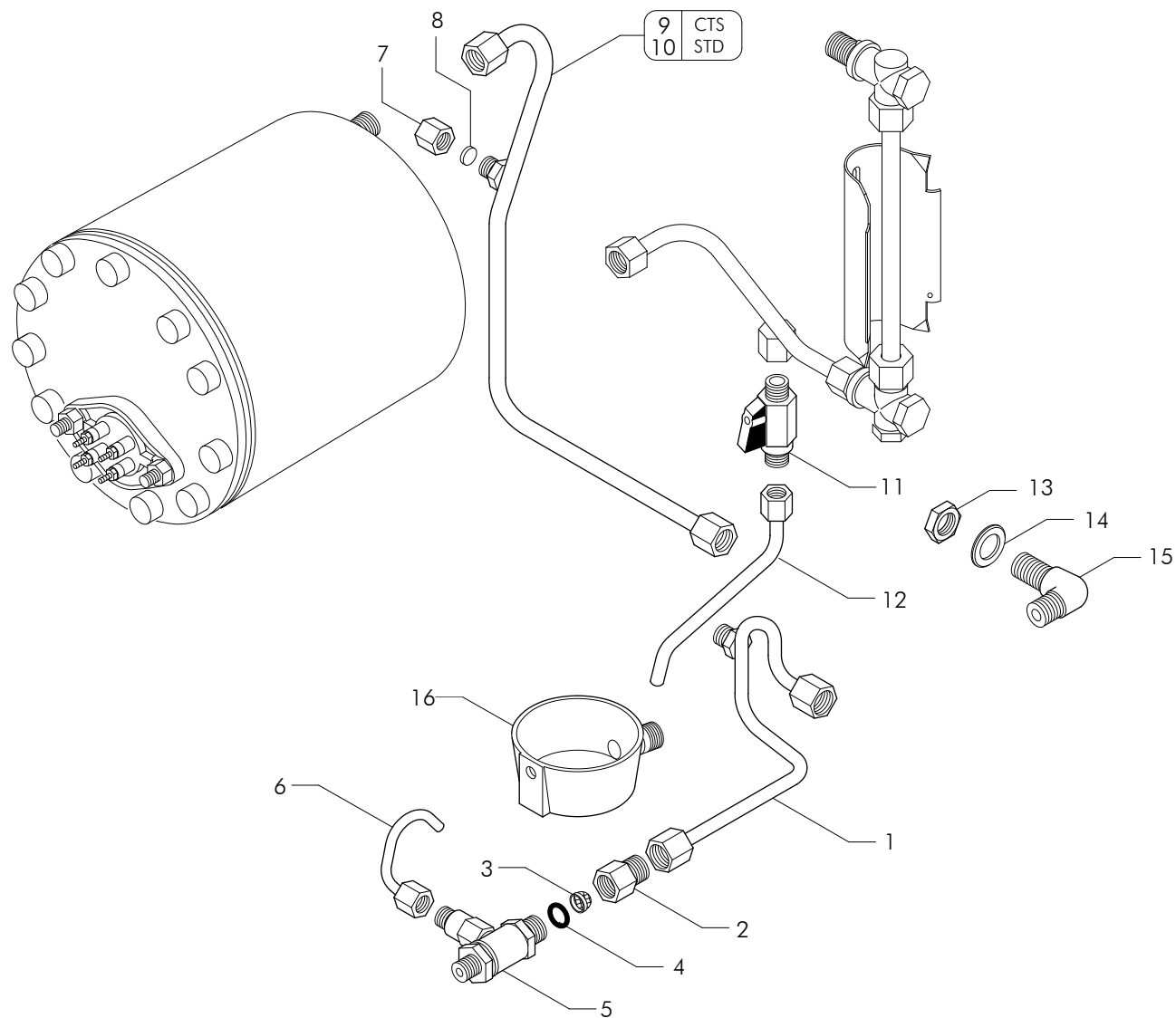
01
06/2004

*Impianto
idraulico
inferiore*

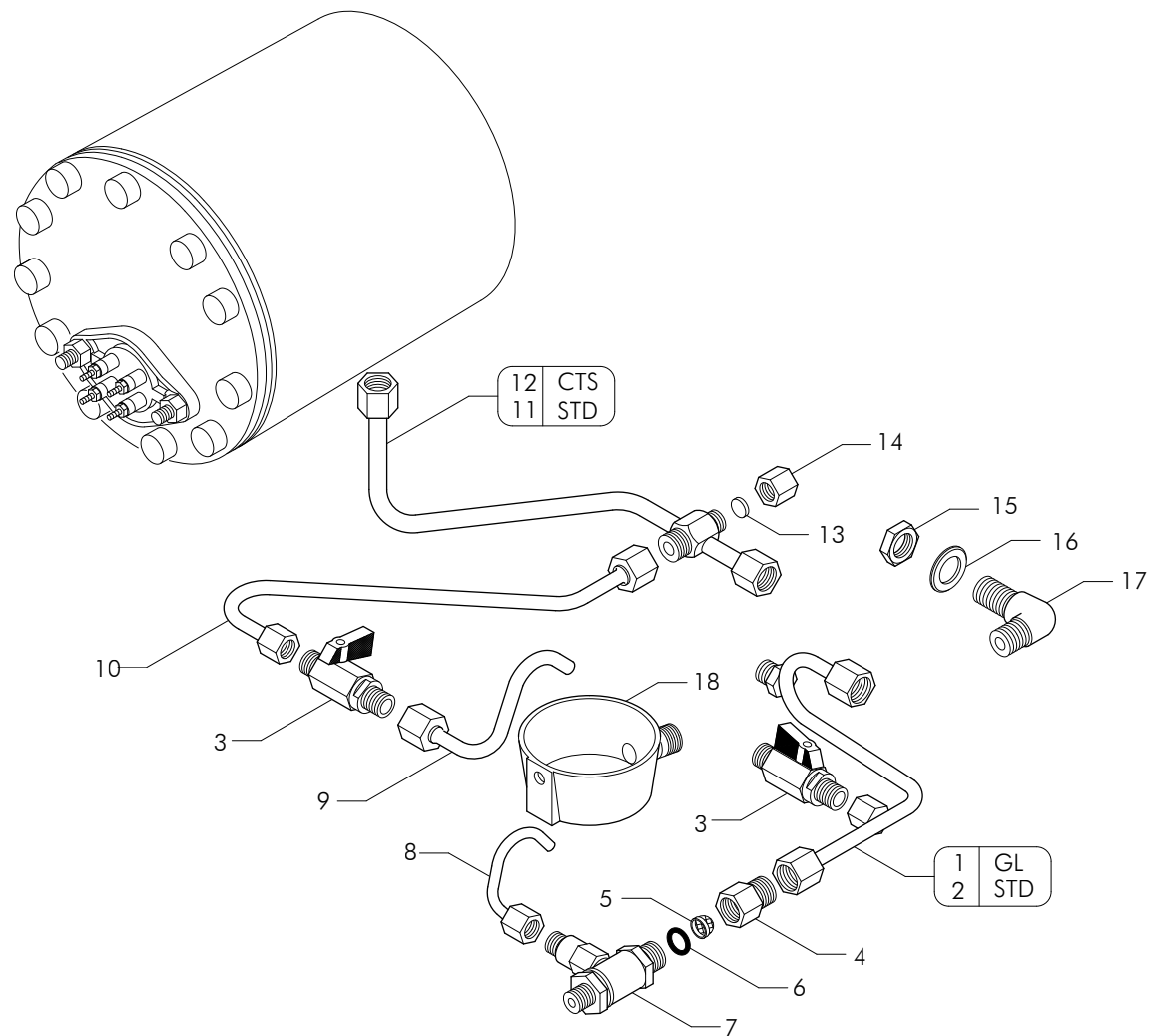
*Hydraulic
circuit lower*

*Circuit
hydraulique
inférieure*

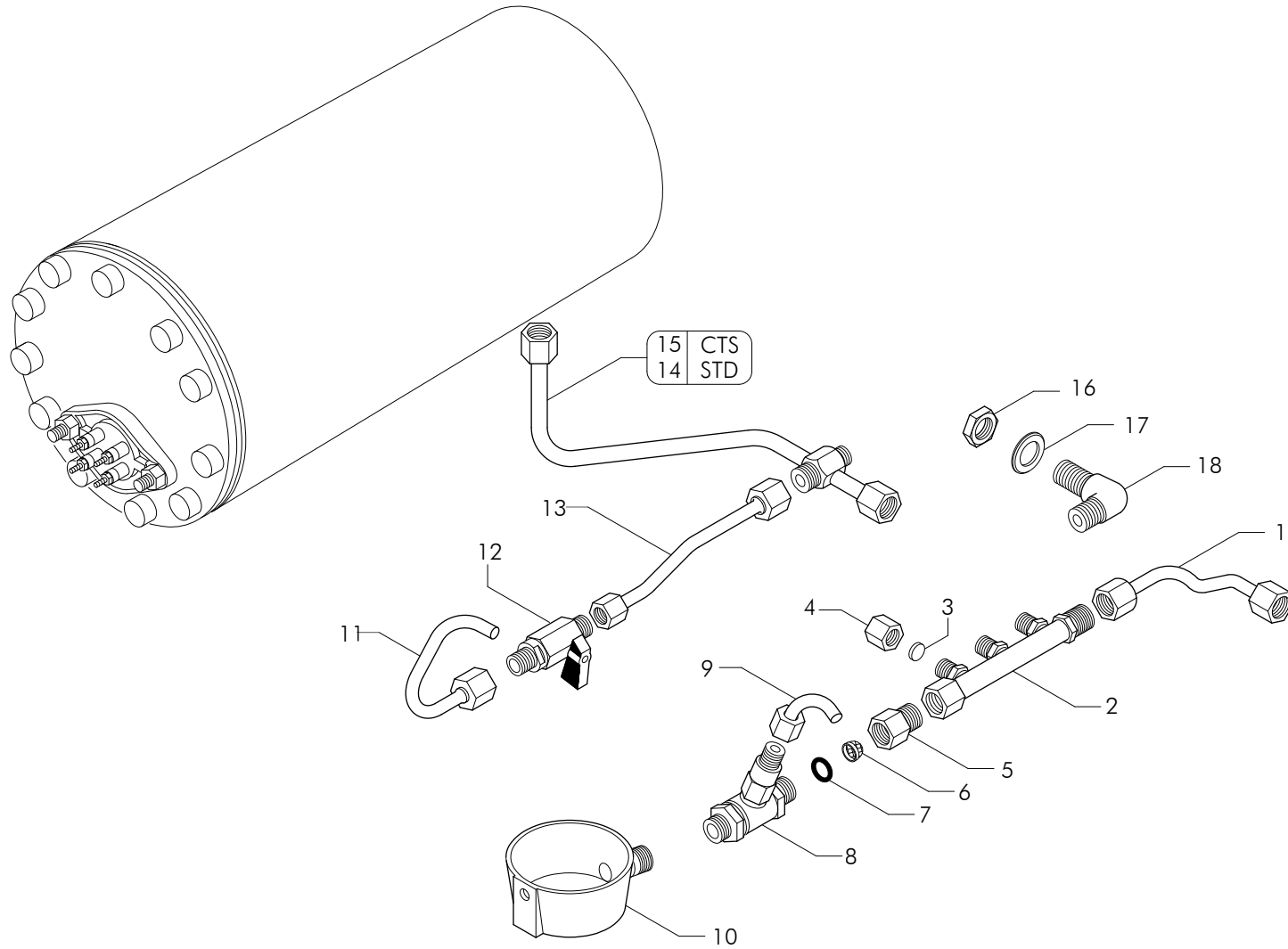
*Wasser-anlage
unten*



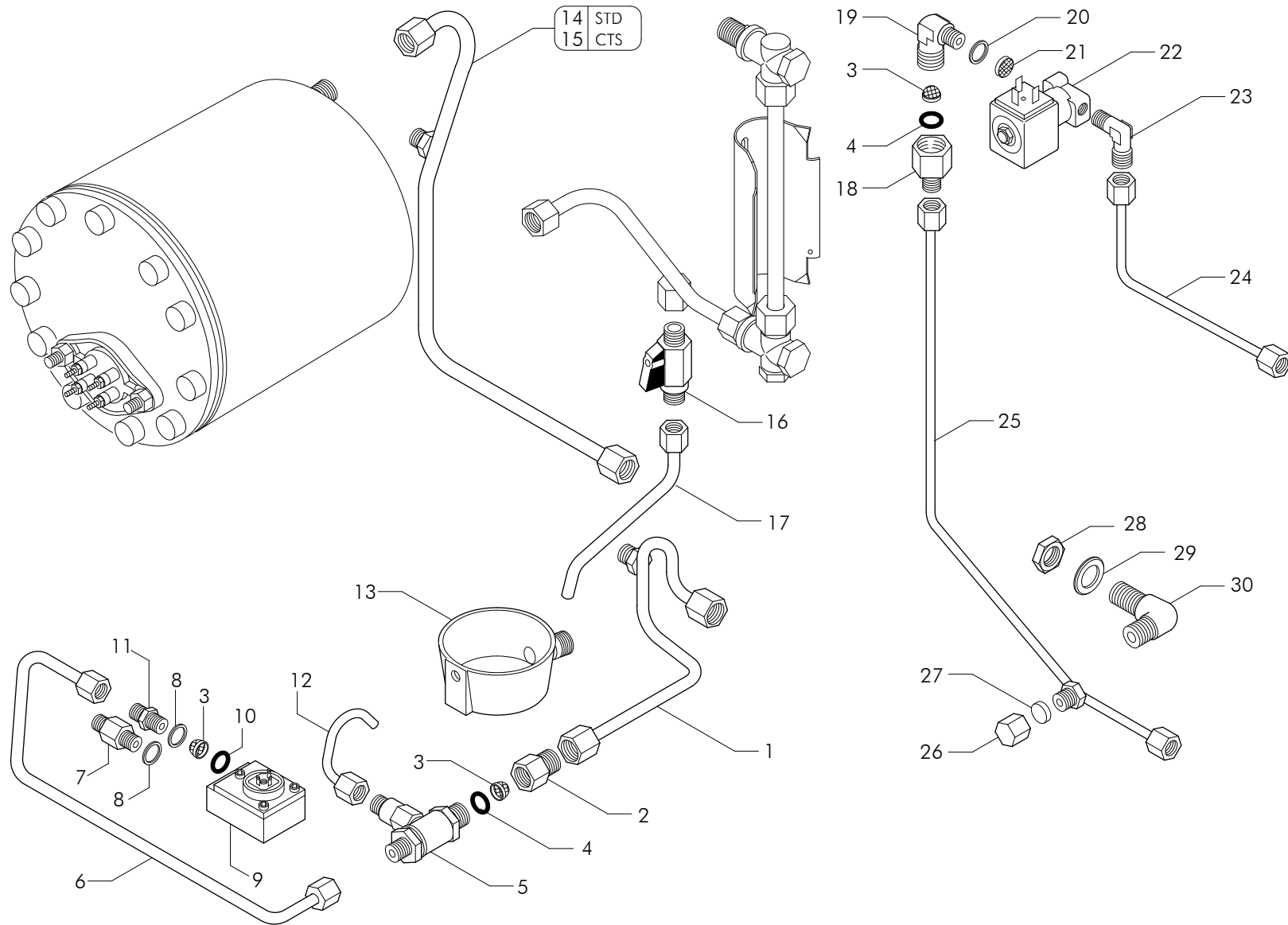
Pos	Cod.	Denominazione - IT -	Denomination - GB -	Denomination - FR -	Denomination - DE -
1	52000268	TUB.D-6 L.130 DV 69 PONTE	D-6 130 L PIPE DV 69	TUYAU D-6 L.130 DV 6	ROHR D. 6 L.130 DV 6
2	25732100	RACCORDO 3/8MX3/8F + SEDE FILTRO	FITTING 3/8MX3/8F	RACCORD 3/8MX3/8F	ANSCHLUSS 3/8MX3/8F
3	10254	FILTRO ACCIAIO 160-200 MESH	STEEL FILTER 160-200 MESH	FILTRE EN ACIER 160-200 MESH	STAHLFILTER 160-200 MESH
4	12312	GUARNIZIONE OR FILTRO AEA 10X2	O RING FOR WATER REFILL FILTER 10X2	JOINT OR FILTRE AUT.REM.EAU 10X2	OR DICHTUNG FUR WASSERFULLUNGFILTER
5	20361	VALVOLA S.C.N.R. REGOLABILE	ADJUSTABLE S.C.N.R. VALVE	SOUPAPE S.C.N.R. REGLABLE	EINSTELLBARES VENTIL S.N.C.R.
6	52001350	TUB.D-6 L.105 2GR SAE LD 41	D-6 105 L PIPE 2GR SAE LD 41	TUYAU D-6 L.105 2GR SAE LD 41	ROHR D-6 L.105 2GR SAE LD 41
7	25782	TAPPO FEMMINA 1/4 GAS	1/4 GAS FEMALE TAP	BOUCHON FEMELLE 1/4 GAZ	INNENANSCHLUSSSTÖPSEL 1/4 GAS
8	12007	GUARNIZIONE KLINGERSIL4400	KLINGERSIL4400 COPPER SEAL	JOINT KLINGERSIL4400 POUR BOUCHON	DICHTUNG KLINGER SIL4400 X DECKEL
9	52001299	TBS.D-10 L.490 1-4GR LD 1CR POMPA	TUBE D-10 L. 490 1-4GR LD 1CR	TUYAU D-10 L.490 1-4GR LD 1CR	ROHR D-10 L.490 1-4GR LD 1CR
10	52000274	TBS.D-10 L.460 JUN DV 75 POMPA	D-10 460 L PIPE DV 75	TUYAU D-10 L.460 DV 7	ROHR D. 10 L.460 DV 7
11	20354	VALVOLA CHIUSURA AEA	PRESSURE RELEASE TAP BULK UNIT	CLAPET FERMETURE AUT.ARRIVEE EAU	ABSPERRVENTIL X AUT.WASSERZUFUHR
12	52000279	TBS.D-8 L.210 DV 80 RUB.SCARICO	D-8 210 L PIPE DV 80	TUYAU D-8 L.210 DV 8	ROHR D. 8 L.210 DV 8
13	25356	CONTRODADO OTTONE 3/8	BRASS LOCK NUT 3/8	CONTRE-ECROU LAITON 3/8	MESSING-GEGENMUTTER 3/8
14	25651	RONDELLA OTTONE 3/8	BRASS WASHER 3/8	RONDELLE LAITON 3/8	MESSINGSCHLEIBE 3/8
15	43067	RACCORDO "L" 3/8 GASX3/8 GAS L.30	3/8 GAS X 3/8 GAS L FITTING L.30	RACCORD L 3/8 GAZX3/8 GAZ L.30	ANSCHLUSS L 3/8 GAS X 3/8 GAS L. 30
16	15502	VASCHETTA SCARICO ROTONDA D 80	ROUND DRAIN BASIN D.80MM	CUVE A VIDANGER RONDE D.80MM	RUNDE ABFLUSSCHALE D.80MM



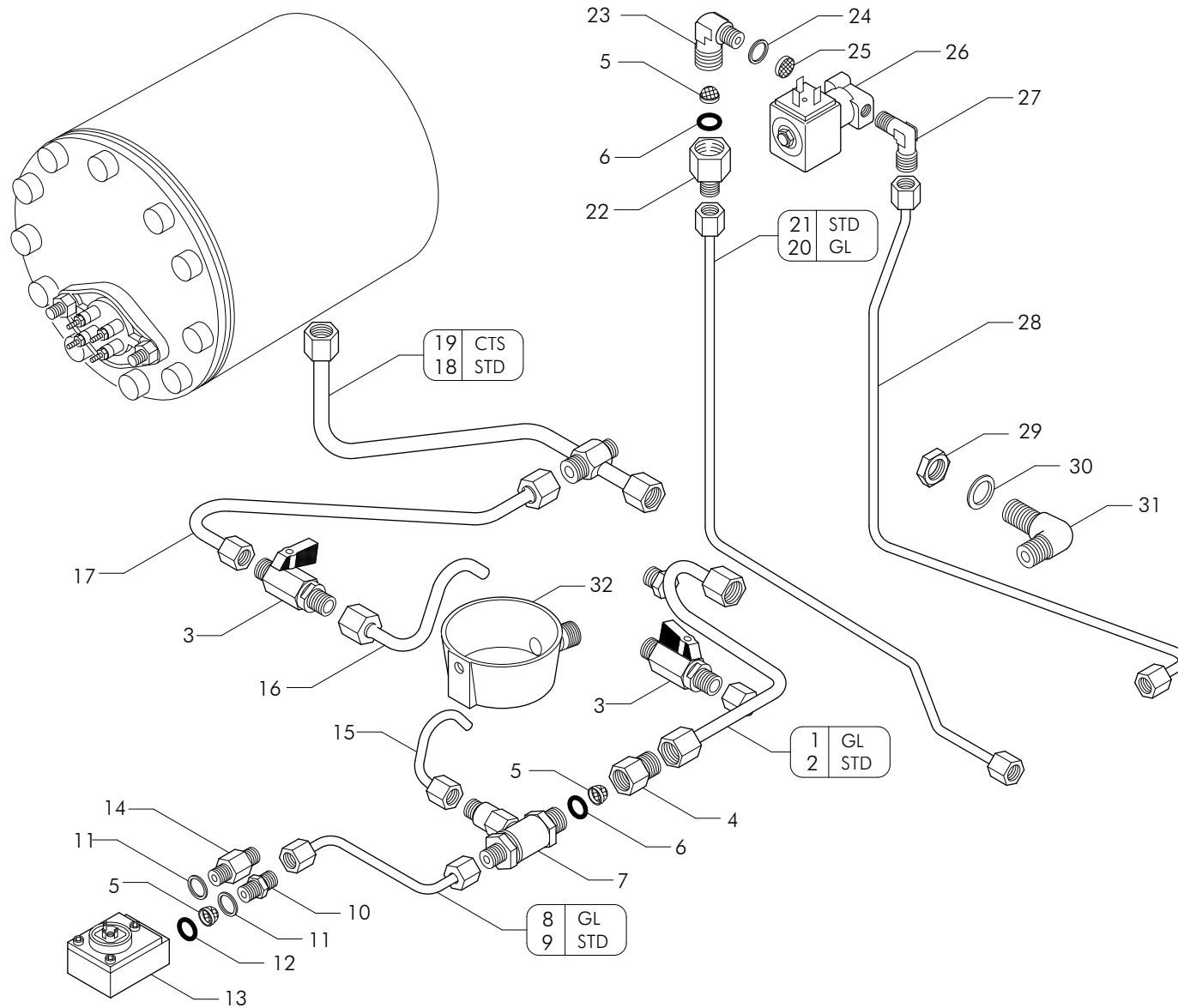
Pos	Cod.	Denominazione - IT -	Denomination - GB -	Denomination - FR -	Denomination - DE -
1	52000427	TBS.D-8 L.230 GL28	TUBE D-8 L.230 GL28	TUYAU D-8 L.230 GL28	ROHR D-8 L.230 GL28
2	52003302	TBS.D-8 L.265	TUBE D-8 L.265	TUYAU D-8 L.265	ROHR D-8 L.265
3	20354	VALVOLA CHIUSURA AEA	PRESSURE RELEASE TAP BULK UNIT	CLAPET FERMETURE AUT.ARRIVEE EAU	ABSPERRVENTIL X AUT.WASSERZUFUHR
3	20354	VALVOLA CHIUSURA AEA	PRESSURE RELEASE TAP BULK UNIT	CLAPET FERMETURE AUT.ARRIVEE EAU	ABSPERRVENTIL X AUT.WASSERZUFUHR
4	25732100	RACCORDO 3/8MX3/8F + SEDE FILTRO	FITTING 3/8MX3/8F	RACCORD 3/8MX3/8F	ANSCHLUSS 3/8MX3/8F
5	10254	FILTRO ACCIAIO 160-200 MESH	STEEL FILTER 160-200 MESH	FILTRE EN ACIER 160-200 MESH	STAHLFILTER 160-200 MESH
6	12312	GUARNIZIONE OR FILTRO AEA 10X2	O RING FOR WATER REFILL FILTER 10X2	JOINT OR FILTRE AUT.REM.EAU 10X2	OR DICHTUNG FUR WASSERFULLUNGFILTER
7	20361	VALVOLA S.C.N.R. REGOLABILE	ADJUSTABLE S.C.N.R. VALVE	SOUPAPE S.C.N.R. REGLABLE	EINSTELLBARES VENTIL S.N.C.R.
8	52001350	TUB.D-6 L.105 2GR SAE LD 41	D-6 105 L PIPE 2GR SAE LD 41	TUYAU D-6 L.105 2GR SAE LD 41	ROHR D-6 L.105 2GR SAE LD 41
9	52000267	TBS.D-8 L.100 DV 68 RUBINETTO SCARICO	D-8 100 L PIPE DV 68	TUYAU D-8 L.100 DV 6	ROHR D. 8 L.100 DV 6
10	52000365	TBS.D-8 L.280 DV 47/A	TUBE D-8 L.280 DV47/A	TUYAU D-8 L.280 DV47/A	ROHR D-8 L.280 DV47/A
11	52001513	TBS.D-10 L.320 AR 63/A POMPA	TUBE D-10 L.320 AR 63/A	TUYAU D-10 L.320 AR 63/A	ROHR D-10 L.320 AR 63/A
12	52002722	TUB.D-6 L.275 2GR AL W 13CALDAIA	TUBE D-6 L.275 W 13	TUYAU D-6 L.275 W 13	ROHR D-6 L.275 W 13
13	12007	GUARNIZIONE KLINGERSIL4400	KLINGERSIL4400 COPPER SEAL	JOINT KLINGERSIL4400 POUR BOUCHON	DICHTUNG KLINGER SIL4400 X DECKEL
14	25782	TAPPO FEMMINA 1/4 GAS	1/4 GAS FEMALE TAP	BOUCHON FEMELLE 1/4 GAZ	INNENANSCHLUSSSTÖPSEL 1/4 GAS
15	25356	CONTRODADO OTTONE 3/8	BRASS LOCK NUT 3/8	CONTRE-ECROU LAITON 3/8	MESSING-GEGENMUTTER 3/8
16	25651	RONDELLA OTTONE 3/8	BRASS WASHER 3/8	RONDELLE LAITON 3/8	MESSINGSCHIEBE 3/8
17	43067	RACCORDO "L" 3/8 GASX3/8 GAS L.30	3/8 GAS X 3/8 GAS L FITTING L.30	RACCORD L 3/8 GAZX3/8 GAZ L.30	ANSCHLUSS L 3/8 GAS X 3/8 GAS L. 30
18	15502	VASCHETTA SCARICO ROTONDA D 80	ROUND DRAIN BASIN D.80MM	CUVE A VIDANGER RONDE D.80MM	RUNDE ABFLUSSCHALE D.80MM



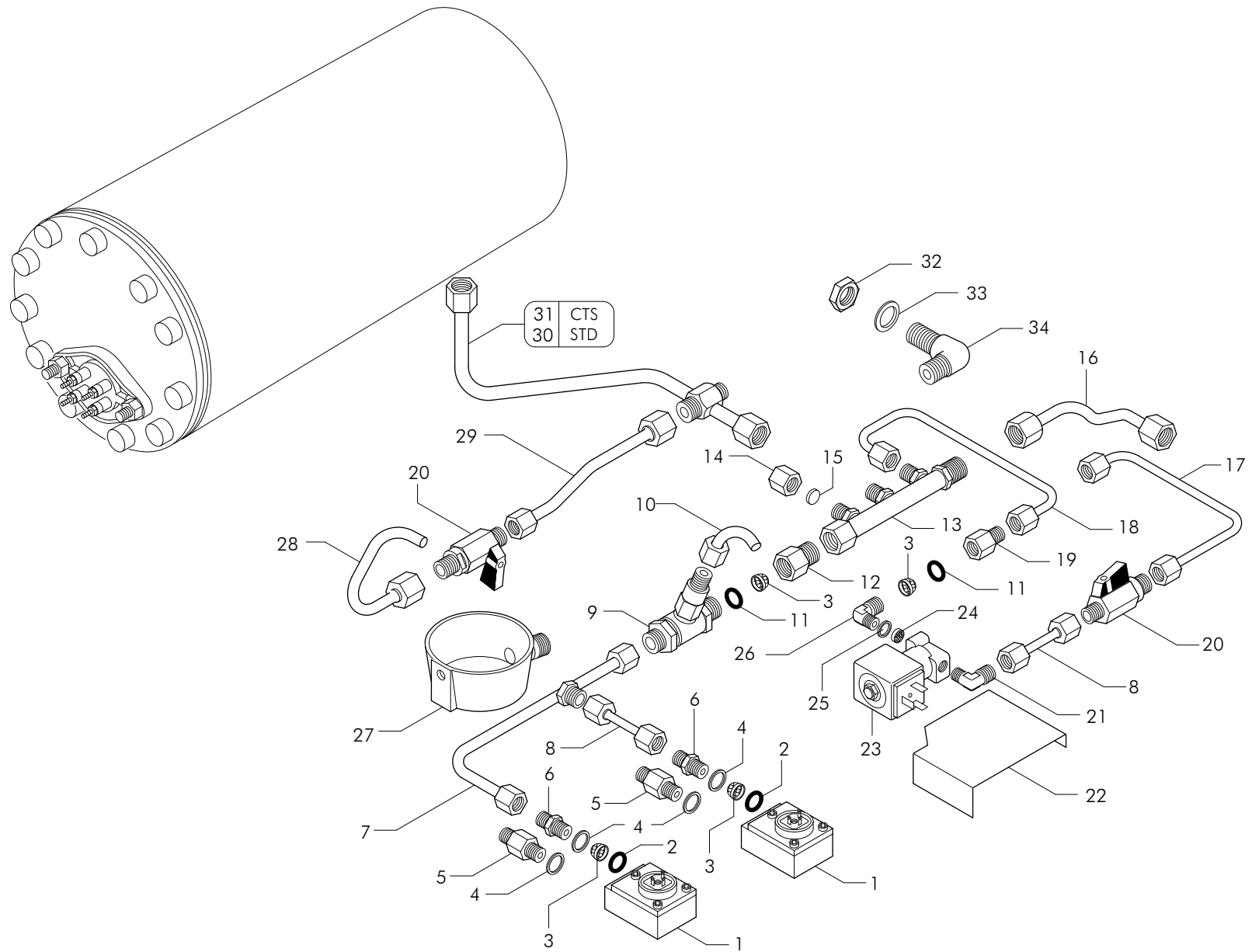
Pos	Cod.	Denominazione - IT -	Denomination - GB -	Denomination - FR -	Denomination - DE -
1	52000367	TBS.D-8 L.150 DV 1/D	TUBE D-8 L.150 DV1/D	TUYAU D-8 L.150 DV1/D	ROHR D-8 L.150 DV1/D
2	56136004	ASSIEME BLOCCO DISTRIBUZ.2-3-4GR	DISTRIBUTION BLOCK 2-3-4GR	BLOC DISTRIBUTION 2-3-4GR	BLOCK VERTEILER 2-3-4GR
3	12007	GUARNIZIONE KLINGERSIL4400	KLINGERSIL4400 COPPER SEAL	JOINT KLINGERSIL4400 POUR BOUCHON	DICHTUNG KLINGER SIL4400 X DECKEL
4	25782	TAPPO FEMMINA 1/4 GAS	1/4 GAS FEMALE TAP	BOUCHON FEMELLE 1/4 GAZ	INNENANSCHLUSSSTÖPSEL 1/4 GAS
5	25732100	RACCORDO 3/8MX3/8F + SEDE FILTRO	FITTING 3/8MX3/8F	RACCORD 3/8MX3/8F	ANSCHLUSS 3/8MX3/8F
6	10254	FILTRO ACCIAIO 160-200 MESH	STEEL FILTER 160-200 MESH	FILTRE EN ACIER 160-200 MESH	STAHLFILTER 160-200 MESH
7	12312	GUARNIZIONE OR FILTRO AEA 10X2	O RING FOR WATER REFILL FILTER 10X2	JOINT OR FILTRE AUT.REM.EAU 10X2	OR DICHTUNG FUR WASSERFULLUNGFILTER
8	20361	VALVOLA S.C.N.R. REGOLABILE	ADJUSTABLE S.C.N.R. VALVE	SOUPAPE S.C.N.R. REGLABLE	EINSTELLBARES VENTIL S.N.C.R.
9	52000336	TUB.D-6 L.270 4GR DV 58/A SCNR	D-6 270 L PIPE DV 58/A	TUYAU D-6 L.270 DV 58/	ROHR D. 6 L.270 DV 58/
9	52001351	TUB.D-6 L.170 2GR SAE LD 42	TUBE D-6 L.170 2GR SAE LD 42	TUYAU D-6 L.170 2GR SAE LD 42	ROHR D-6 L.170 2GR SAE LD 42
9	52002898	TUBO D-6 L.50 3 W169	D-6 50 L3 PIPE W169	TUYAU D-6 L.50 3 W1	ROHR D. 6 L.50 3 W1
10	15502	VASCHETTA SCARICO ROTONDA D 80	ROUND DRAIN BASIN D.80MM	CUVE A VIDANGER RONDE D.80MM	RUNDE ABFLUSSCHALE D.80MM
11	52000267	TBS.D-8 L.100 DV 68 RUBINETTO SCARICO	D-8 100 L PIPE DV 68	TUYAU D-8 L.100 DV 6	ROHR D. 8 L.100 DV 6
11	52000362	TBS.D-8 L.255 DV 68/A	TUBE D-8 L.255 DV 68/A	TUYAU D-8 L.255 DV 68/A	ROHR D-8 L.255 DV 68/A
11	52000363	TBS.D-8 L.380 DV 68/B	TUBE D-8 L.380 DV 68/B	TUYAU D-8 L.380 DV 68/B	ROHR D-8 L.380 DV 68/B
12	20354	VALVOLA CHIUSURA AEA	PRESSURE RELEASE TAP BULK UNIT	CLAPET FERMETURE AUT.ARRIVEE EAU	ABSPERRVENTIL X AUT.WASSERZUFUHR
13	52000361	TBS.D-8 L.13 DV 16/A	TUBE D-8 L.135 DV 16/A	TUYAU D-8 L.135 DV 16/A	ROHR D-8 L.135 DV 16/A
14	52001513	TBS.D-10 L.320 AR 63/A POMPA	TUBE D-10 L.320 AR 63/A	TUYAU D-10 L.320 AR 63/A	ROHR D-10 L.320 AR 63/A
15	52002722	TUB.D-6 L.275 2GR AL W 13CALDAIA	TUBE D-6 L.275 W 13	TUYAU D-6 L.275 W 13	ROHR D-6 L.275 W 13
16	25356	CONTRODADO OTTONE 3/8	BRASS LOCK NUT 3/8	CONTRE-ECROU LAITON 3/8	MESSING-GEGENMUTTER 3/8
17	25651	RONDELLA OTTONE 3/8	BRASS WASHER 3/8	RONDELLE LAITON 3/8	MESSINGSCHIEBE 3/8
18	43067	RACCORDO "L" 3/8 GASX3/8 GAS L.30	3/8 GAS X 3/8 GAS L FITTING L.30	RACCORD L 3/8 GAZX3/8 GAZ L.30	ANSCHLUSS L 3/8 GAS X 3/8 GAS L. 30



Pos	Cod.	Denominazione - IT -	Denomination - GB -	Denomination - FR -	Denomination - DE -
1	52000268	TUB.D-6 L.130 DV 69 PONTE	D-6 130 L PIPE DV 69	TUYAU D-6 L.130 DV 6	ROHR D. 6 L.130 DV 6
2	25732100	RACCORDO 3/8MX3/8F + SEDE FILTRO	FITTING 3/8MX3/8F	RACCORD 3/8MX3/8F	ANSCHLUSS 3/8MX3/8F
3	10254	FILTRO ACCIAIO 160-200 MESH	STEEL FILTER 160-200 MESH	FILTRE EN ACIER 160-200 MESH	STAHLFILTER 160-200 MESH
4	12312	GUARNIZIONE OR FILTRO AEA 10X2	O RING FOR WATER REFILL FILTER 10X2	JOINT OR FILTRE AUT.REM.EAU 10X2	OR DICHTUNG FUR WASSERFULLUNGFILTER
5	20361	VALVOLA S.C.N.R. REGOLABILE	ADJUSTABLE S.C.N.R. VALVE	SOUPAPE S.C.N.R. REGLABLE	EINSTELLBARES VENTIL S.N.C.R.
6	52000348	TBS.D-6 L.260 JUN DV 71/A SCNR REG	D-6 260 L PIPE JUN DV 71/A	TUYAU D-6 L.260 JUN DV 71/A	ROHR D-6 L.260 JUN DV 71/A
7	25708	RACCORDO 1/4X1/4	1/4X1/4 FITTING	RACCORD 1/4X1/4	ANSCHLUSS 1/4X1/4
8	12153	GUARNIZIONE CU 1/4 17X13.3X1.5	1/4 17X13.3X1.5 COPPER SEAL	JOINT CUIVRE 1/4 17X13.3X1.5	KUPFERDICHTUNG 1/4 17X13.3X1.5
9	18126	DOSATORE FLOWMETER FH 12 909602	FH 12 907613 FLOWMETER DOSER	DOSEUR FLOWMETER FH 12 907613	DOSIERER FLOWMETER FH 12 907613
10	12329	GUARNIZIONE OR 2031 VITON 7.66XW1.78	O RING 2031 VITON 7.66XW1.78	JOINT OR 2031 VITON 7.66X1.78	OR DICHTUNG 2031 VITON 7.66XW1.78
11	25686	RACCORDO 1/4X1/4 FLANGIA	CONNECTOR 1/4 X 1/4 FLANGE	RACCORD 1/4 X 1/4 BRIDE	ANSCHLUSS 1/4X1/4 FLANSCH
12	52001350	TUB.D-6 L.105 2GR SAE LD 41	D-6 105 L PIPE 2GR SAE LD 41	TUYAU D-6 L.105 2GR SAE LD 41	ROHR D-6 L.105 2GR SAE LD 41
13	15502	VASCHETTA SCARICO ROTONDA D 80	ROUND DRAIN BASIN D.80MM	CUVE A VIDANGER RONDE D.80MM	RUNDE ABFLUSSCHALE D.80MM
14	52001299	TBS.D-10 L.490 1-4GR LD 1CR POMPA	TUBE D-10 L. 490 1-4GR LD 1CR	TUYAU D-10 L.490 1-4GR LD 1CR	ROHR D-10 L.490 1-4GR LD 1CR
15	52000274	TBS.D-10 L.460 JUN DV 75 POMPA	D-10 460 L PIPE DV 75	TUYAU D-10 L.460 DV 7	ROHR D. 10 L.460 DV 7
16	20354	VALVOLA CHIUSURA AEA	PRESSURE RELEASE TAP BULK UNIT	CLAPET FERMETURE AUT.ARRIVEE EAU	ABSPERRVENTIL X AUT.WASSERZUFUHR
17	52000279	TBS.D-8 L.210 DV 80 RUB.SCARICO	D-8 210 L PIPE DV 80	TUYAU D-8 L.210 DV 8	ROHR D. 8 L.210 DV 8
18	25705	RACCORDO FILTRO AEA	AUT.WATER REFILL FILTER CONNECTOR	RACCORD FILTRE REM.EAU.AUT.	FILTERFITTING AUT.WASSERFULLUNG
19	23217	RACCORDO GOMITO D10 3/8X1/8 CON AEA	FITTING D10 3/8X1/8 WITH AWI F 1.2	RACCORD GOMME D10 3/8X1/8 AEE F 1.2	FITTING D10 3/8X1/8 MIT A.W.F. 1.2
20	12155	GUARNIZIONE CU 8.5X5X1	COPPER GASKET 8.5X5X1	JOINT CU 8.5X5X1	CU DICHTUNG 8.5X5X1
21	10251001	FILTRO IN ACCIAIO D-8 SP.0,3	STEEL FILTER D-8 - 0.3 THICK	FILTRE EN ACIER D-8 EP.0,3	STAHLFILTER D-8 SP.0,3
22	18162002	ELETTRIVALVOLA 230V AEA VDE	SOL.VALVE WATER REFILL 230V PARKER	ELECTROVANNE REA 230V PARKER	ELEKTROVENTIL AWZ 230V PARKER
22	18195	ELETTRIVALVOLA 120V VE140.2IR VDE/UL	SOLENOID VALVE SCEM 2/2 110V 60HZ	ELECTROVANNE SCEM 2/2 110V 60HZ	MAGNETVENTIL SCEM 2/2 110V 60HZ
23	23201	RACCORDO OTT.GOM.D6.2 1/4X1/8-AEA	ELBOW BRASS CONNECTOR D6.2 1/4X1/8	RACCORD COUDE LAITON D6.2 1/4X1/8	MESSING-ANSCHLUSS D6.2 1/4X1/8
24	52000115	TUB.D-6 L.160 1-4GR NUOVE A 48/A A.E.A.	TUBE D-6 L.160 1-4GR NEW A 48/A	TUYAU D-6 L.160 1-4GR NOUVEAUA 48/A	ROHR D-6 L. 160 1-4 GR A 48/A
25	52000344	TBS.D-6 L.550 1GR DV 42/C TUB.DV 1/C	TUBE D-6 L.530	TUYAU D-6 L.530	ROHR D-6 L.530
26	25782	TAPPO FEMMINA 1/4 GAS	1/4 GAS FEMALE TAP	BOUCHON FEMELLE 1/4 GAZ	INNENANSCHLUSSSTÖPSEL 1/4 GAS
27	12007	GUARNIZIONE KLINGERSIL4400	KLINGERSIL4400 COPPER SEAL	JOINT KLINGERSIL4400 POUR BOUCHON	DICHTUNG KLINGER SIL4400 X DECKEL
28	25356	CONTRODADO OTTONE 3/8	BRASS LOCK NUT 3/8	CONTRE-ECROU LAITON 3/8	MESSING-GEGENMUTTER 3/8
29	25651	RONDELLA OTTONE 3/8	BRASS WASHER 3/8	RONDELLE LAITON 3/8	MESSINGSCHIEBE 3/8
30	43067	RACCORDO "L" 3/8 GASX3/8 GAS L.30	3/8 GAS X 3/8 GAS L FITTING L.30	RACCORD L 3/8 GAZX3/8 GAZ L.30	ANSCHLUSS L 3/8 GAS X 3/8 GAS L. 30



Pos	Cod.	Denominazione - IT -	Denomination - GB -	Denomination - FR -	Denomination - DE -
1	52000427	TBS.D-8 L.230 GL28	TUBE D-8 L.230 GL28	TUYAU D-8 L.230 GL28	ROHR D-8 L.230 GL28
2	52003302	TBS.D-8 L.265	TUBE D-8 L.265	TUYAU D-8 L.265	ROHR D-8 L.265
3	20354	VALVOLA CHIUSURA AEA	PRESSURE RELEASE TAP BULK UNIT	CLAPET FERMETURE AUT.ARRIVEE EAU	ABSPERRVENTIL X AUT.WASSERZUFUHR
4	25732100	RACCORDO 3/8MX3/8F + SEDE FILTRO	FITTING 3/8MX3/8F	RACCORD 3/8MX3/8F	ANSCHLUSS 3/8MX3/8F
5	10254	FILTRO ACCIAIO 160-200 MESH	STEEL FILTER 160-200 MESH	FILTRE EN ACIER 160-200 MESH	STAHLFILTER 160-200 MESH
6	12312	GUARNIZIONE OR FILTRO AEA 10X2	O RING FOR WATER REFILL FILTER 10X2	JOINT OR FILTRE AUT.REM.EAU 10X2	OR DICHTUNG FUR WASSERFULLUNGFILTER
7	20361	VALVOLA S.C.N.R. REGOLABILE	ADJUSTABLE S.C.N.R. VALVE	SOUPAPE S.C.N.R. REGLABLE	EINSTELLBARES VENTIL S.N.C.R.
8	52000425	TUB.D-6 L.115 GL26	TUBE D-6 L.115 GL26	TUYAU D-6 L.115 GL26	ROHR D-6 L.115 GL26
9	52000359	TUB.D-6 L.180 DV 44/B	D-6 180 L PIPE DV 44/B	TUYAU D-6 L.180 DV 44/B	ROHR D-6 L.180 DV 44/B
10	25686	RACCORDO 1/4X1/4 FLANGIA	CONNECTOR 1/4 X 1/4 FLANGE	RACCORD 1/4 X 1/4 BRIDE	ANSCHLUSS 1/4X1/4 FLANSCH
11	12153	GUARNIZIONE CU 1/4 17X13.3X1.5	1/4 17X13.3X1.5 COPPER SEAL	JOINT CUIVRE 1/4 17X13.3X1.5	KUPFERDICHTUNG 1/4 17X13.3X1.5
12	12329	GUARNIZIONE OR 2031 VITON 7.66XW1.78	O RING 2031 VITON 7.66XW1.78	JOINT OR 2031 VITON 7.66X1.78	OR DICHTUNG 2031 VITON 7.66XW1.78
13	18126	DOSATORE FLOWMETER FH 12 909602	FH 12 907613 FLOWMETER DOSER	DOSEUR FLOWMETER FH 12 907613	DOSIERER FLOWMETER FH 12 907613
14	25708	RACCORDO 1/4X1/4	1/4X1/4 FITTING	RACCORD 1/4X1/4	ANSCHLUSS 1/4X1/4
15	52001350	TUB.D-6 L.105 2GR SAE LD 41	D-6 105 L PIPE 2GR SAE LD 41	TUYAU D-6 L.105 2GR SAE LD 41	ROHR D-6 L.105 2GR SAE LD 41
16	52000267	TBS.D-8 L.100 DV 68 RUBINETTO SCARICO	D-8 100 L PIPE DV 68	TUYAU D-8 L.100 DV 6	ROHR D. 8 L.100 DV 6
17	52000365	TBS.D-8 L.280 DV 47/A	TUBE D-8 L.280 DV47/A	TUYAU D-8 L.280 DV47/A	ROHR D-8 L.280 DV47/A
18	52001513	TBS.D-10 L.320 AR 63/A POMPA	TUBE D-10 L.320 AR 63/A	TUYAU D-10 L.320 AR 63/A	ROHR D-10 L.320 AR 63/A
19	52002722	TUB.D-6 L.275 2GR AL W 13CALDATA	TUBE D-6 L.275 W 13	TUYAU D-6 L.275 W 13	ROHR D-6 L.275 W 13
20	52000426	TUB.D-6 L.550 GL27	TUBE D-6 L.550 GL27	TUYAU D-6 L.550 GL27	ROHR D-6 L.550 GL27
21	52003303	TUBO D-6 L.600 CW 4	TUBE D-6 L.600 CW 4	TUYAU D-6 L.600 CW 4	ROHR D-6 L.600 CW 4
22	25705	RACCORDO FILTRO AEA	AUT.WATER REFILL FILTER CONNECTOR	RACCORD FILTRE REM.EAU.AUT.	FILTERFITTING AUT.WASSERFULLUNG
23	23217	RACCORDO GOMITO D10 3/8X1/8 CON AEA	FITTING D10 3/8X1/8 WITH AWI F 1.2	RACCORD GOMME D10 3/8X1/8 AEE F 1.2	FITTING D10 3/8X1/8 MIT A.W.F. 1.2
24	12155	GUARNIZIONE CU 8.5X5X1	COPPER GASKET 8.5X5X1	JOINT CU 8.5X5X1	CU DICHTUNG 8.5X5X1
25	10251001	FILTRO IN ACCIAIO D-8 SP.0,3	STEEL FILTER D-8 - 0.3 THICK	FILTRE EN ACIER D-8 EP.0,3	STAHLFILTER D-8 SP.0,3
26	18162002	ELETTRORVALVOLA 230V AEA VDE	SOL.VALVE WATER REFILL 230V PARKER	ELECTROVANNE REA 230V PARKER	ELEKTROVENTIL AWZ 230V PARKER
26	18195	ELETTRORVALVOLA 120V VE140.2IR VDE/UL	SOLENOID VALVE SCEM 2/2 110V 60HZ	ELECTROVANNE SCEM 2/2 110V 60HZ	MAGNETVENTIL SCEM 2/2 110V 60HZ
27	23201	RACCORDO OTT.GOM.D6.2 1/4X1/8-AEA	ELBOW BRASS CONNECTOR D6.2 1/4X1/8	RACCORD COUDE LAITON D6.2 1/4X1/8	MESSING-ANSCHLUSS D6.2 1/4X1/8
28	52000366	TUB.D-6 L.585 DV 43/A	TUBE D-6 L.585 DV 43/A	TUYAU D-6 L.585 DV 43/A	ROHR D-6 L.585 DV 43/A
29	25356	CONTRODADO OTTONE 3/8	BRASS LOCK NUT 3/8	CONTRE-ECROU LAITON 3/8	MESSING-GEGENMUTTER 3/8
30	25651	RONDELLA OTTONE 3/8	BRASS WASHER 3/8	RONDELLE LAITON 3/8	MESSINGSCHIEBE 3/8
31	43067	RACCORDO "L" 3/8 GASX3/8 GAS L.30	3/8 GAS X 3/8 GAS L FITTING L.30	RACCORD L 3/8 GAZX3/8 GAZ L.30	ANSCHLUSS L 3/8 GAS X 3/8 GAS L. 30
32	15502	VASCHETTA SCARICO ROTONDA D 80	ROUND DRAIN BASIN D.80MM	CUVE A VIDANGER RONDE D.80MM	RUNDE ABFLUSSCHALE D.80MM



Pos	Cod.	Denominazione - IT -	Denomination - GB -	Denomination - FR -	Denomination - DE -
1	18126	DOSATORE FLOWMETER FH 12 909602	FH 12 907613 FLOWMETER DOSER	DOSEUR FLOWMETER FH 12 907613	DOSIERER FLOWMETER FH 12 907613
2	12329	GUARNIZIONE OR 2031 VITON 7.66XW1.78	O RING 2031 VITON 7.66XW1.78	JOINT OR 2031 VITON 7.66X1.78	OR DICHTUNG 2031 VITON 7.66XW1.78
3	10254	FILTRO ACCIAIO 160-200 MESH	STEEL FILTER 160-200 MESH	FILTRE EN ACIER 160-200 MESH	STAHLFILTER 160-200 MESH
4	12153	GUARNIZIONE CU 1/4 17X13.3X1.5	1/4 17X13.3X1.5 COPPER SEAL	JOINT CUIVRE 1/4 17X13.3X1.5	KUPFERDICHTUNG 1/4 17X13.3X1.5
5	25708	RACCORDO 1/4X1/4	1/4X1/4 FITTING	RACCORD 1/4X1/4	ANSCHLUSS 1/4X1/4
6	25686	RACCORDO 1/4X1/4 FLANGIA	CONNECTOR 1/4 X 1/4 FLANGE	RACCORD 1/4 X 1/4 BRIDE	ANSCHLUSS 1/4X1/4 FLANSCH
7	52000320	TBS.D-8 L.215 DV 2/A	D-8 215 L PIPE DV 2/A	TUYAU D-8 L.215 DV 2/	ROHR D. 8 L.215 DV 2/
7	52000322	TBS.D-8 L.440 DV 29/A	D-8 445 L PIPE DV 29/A	TUYAU D-8 L.445 DV 29/	ROHR D. 8 L.445 DV 29/
7	52000335	TBS.D-8 L.680 DV 57/A SCNR > DOSATORE	D-8 680 L PIPE DV 57/A	TUYAU D-8 L.680 DV 57/	ROHR D. 8 L.680 DV 57/
8	52000202	TBS.D-6 L.65 DV 3	D-6 65 L PIPE DV 3	TUYAU D-6 L.65 DV	ROHR D. 6 L.65 DV
9	20361	VALVOLA S.C.N.R. REGOLABILE	ADJUSTABLE S.C.N.R. VALVE	SOUPAPE S.C.N.R. REGLABLE	EINSTELLBARES VENTIL S.N.C.R.
10	52000033	TUB.D-8 L.575 2-4GR EL.RIO A 14/DB	TUBE D-8 L.575	TUYAU D-8 L.575	ROHR D-8 L.575
10	52001351	TUB.D-6 L.170 2GR SAE LD 42	TUBE D-6 L.170 2GR SAE LD 42	TUYAU D-6 L.170 2GR SAE LD 42	ROHR D-6 L.170 2GR SAE LD 42
10	52002898	TUBO D-6 L.50 3 W169	D-6 50 L3 PIPE W169	TUYAU D-6 L.50 3 W1	ROHR D. 6 L.50 3 W1
11	12312	GUARNIZIONE OR FILTRO AEA 10X2	O RING FOR WATER REFILL FILTER 10X2	JOINT OR FILTRE AUT.REM.EAU 10X2	OR DICHTUNG FUR WASSERFULLUNGFILTER
12	25732100	RACCORDO 3/8MX3/8F + SEDE FILTRO	FITTING 3/8MX3/8F	RACCORD 3/8MX3/8F	ANSCHLUSS 3/8MX3/8F
13	56136004	ASSIEME BLOCCO DISTRIBUZ.2-3-4GR	DISTRIBUTION BLOCK 2-3-4GR	BLOC DISTRIBUTION 2-3-4GR	BLOCK VERTEILER 2-3-4GR
14	25782	TAPPO FEMMINA 1/4 GAS	1/4 GAS FEMALE TAP	BOUCHON FEMELLE 1/4 GAZ	INNENANSCHLUSSSTÖPSEL 1/4 GAS
15	12007	GUARNIZIONE KLINGERSIL4400	KLINGERSIL4400 COPPER SEAL	JOINT KLINGERSIL4400 POUR BOUCHON	DICHTUNG KLINGER SIL4400 X DECKEL
16	52000367	TBS.D-8 L.150 DV 1/D	TUBE D-8 L.150 DV1/D	TUYAU D-8 L.150 DV1/D	ROHR D-8 L.150 DV1/D
17	52000205	TUB.D-6 L.230 DV 6	D-6 230 L PIPE DV 6	TUYAU D-6 L.230 DV	ROHR D. 6 L.230 DV
18	52000321	TBS.D-6 L.255 DV 5/A	D-6 255 L PIPE DV 5/A	TUYAU D-6 L.255 DV 5/	ROHR D. 6 L.255 DV 5/
19	25705	RACCORDO FILTRO AEA	AUT.WATER REFILL FILTER CONNECTOR	RACCORD FILTRE REM.EAU.AUT.	FILTERFITTING AUT.WASSERFULLUNG
20	20354	VALVOLA CHIUSURA AEA	PRESSURE RELEASE TAP BULK UNIT	CLAPET FERMETURE AUT.ARRIVEE EAU	ABSPERRVENTIL X AUT.WASSERZUFUHR
21	23201	RACCORDO OTT.GOM.D6.2 1/4X1/8-AEA	ELBOW BRASS CONNECTOR D6.2 1/4X1/8	RACCORD COUDE LAITON D6.2 1/4X1/8	MESSING-ANSCHLUSS D6.2 1/4X1/8
22	77604	COPRIELETTRIVALVOLA AEA WO/WN	AEA SOLENOID VALVE COVER	COUVRE-ELECTROVANNE AEA	ABDECKUNG ELEKTROVENTIL AEA
23	18162002	ELETTRIVALVOLA 230V AEA VDE	SOL.VALVE WATER REFILL 230V PARKER	ELECTROVANNE REA 230V PARKER	ELEKTROVENTIL AWZ 230V PARKER
23	18195	ELETTRIVALVOLA 120V VE140.2IR VDE/UL	SOLENOID VALVE SC2M 2/2 110V 60HZ	ELECTROVANNE SC2M 2/2 110V 60HZ	MAGNETVENTIL SC2M 2/2 110V 60HZ
24	10251001	FILTRO IN ACCIAIO D-8 SP.0,3	STEEL FILTER D-8 - 0.3 THICK	FILTRE EN ACIER D-8 EP.0,3	STAHLFILTER D-8 SP.0,3
25	12155	GUARNIZIONE CU 8.5X5X1	COPPER GASKET 8.5X5X1	JOINT CU 8.5X5X1	CU DICHTUNG 8.5X5X1
26	23217	RACCORDO GOMITO D10 3/8X1/8 CON AEA	FITTING D10 3/8X1/8 WITH AWI F 1.2	RACCORD GOMME D10 3/8X1/8 AEE F 1.2	FITTING D10 3/8X1/8 MIT A.W.F. 1.2
27	15502	VASCHETTA SCARICO ROTONDA D 80	ROUND DRAIN BASIN D.80MM	CUVE A VIDANGER RONDE D.80MM	RUNDE ABFLUSSCHALE D.80MM
28	52000267	TBS.D-8 L.100 DV 68 RUBINETTO SCARICO	D-8 100 L PIPE DV 68	TUYAU D-8 L.100 DV 6	ROHR D. 8 L.100 DV 6
28	52000362	TBS.D-8 L.255 DV 68/A	TUBE D-8 L.255 DV 68/A	TUYAU D-8 L.255 DV 68/A	ROHR D-8 L.255 DV 68/A
28	52000363	TBS.D-8 L.380 DV 68/B	TUBE D-8 L.380 DV 68/B	TUYAU D-8 L.380 DV 68/B	ROHR D-8 L.380 DV 68/B
29	52000361	TBS.D-8 L.13 DV 16/A	TUBE D-8 L.135 DV 16/A	TUYAU D-8 L.135 DV 16/A	ROHR D-8 L.135 DV 16/A
30	52001513	TBS.D-10 L.320 AR 63/A POMPA	TUBE D-10 L.320 AR 63/A	TUYAU D-10 L.320 AR 63/A	ROHR D-10 L.320 AR 63/A
31	52002722	TUB.D-6 L.275 2GR AL W 13CALDAIA	TUBE D-6 L.275 W 13	TUYAU D-6 L.275 W 13	ROHR D-6 L.275 W 13
32	25356	CONTRODADO OTTONE 3/8	BRASS LOCK NUT 3/8	CONTRE-ECROU LAITON 3/8	MESSING-GEGENMUTTER 3/8
33	25651	RONDELLA OTTONE 3/8	BRASS WASHER 3/8	RONDELLE LAITON 3/8	MESSINGSCHIEBE 3/8
34	43067	RACCORDO "L" 3/8 GASX3/8 GAS L.30	3/8 GAS X 3/8 GAS L FITTING L.30	RACCORD L 3/8 GAZX3/8 GAZ L.30	ANSCHLUSS L 3/8 GAS X 3/8 GAS L. 30

INDICE - INDEX - SOMMAIRE - VERZEICHNIS

ACC

ACC-04

ACCESSORI - ACCESSORIES - ACCESSOIRES - ZUBEHÖR

rev.

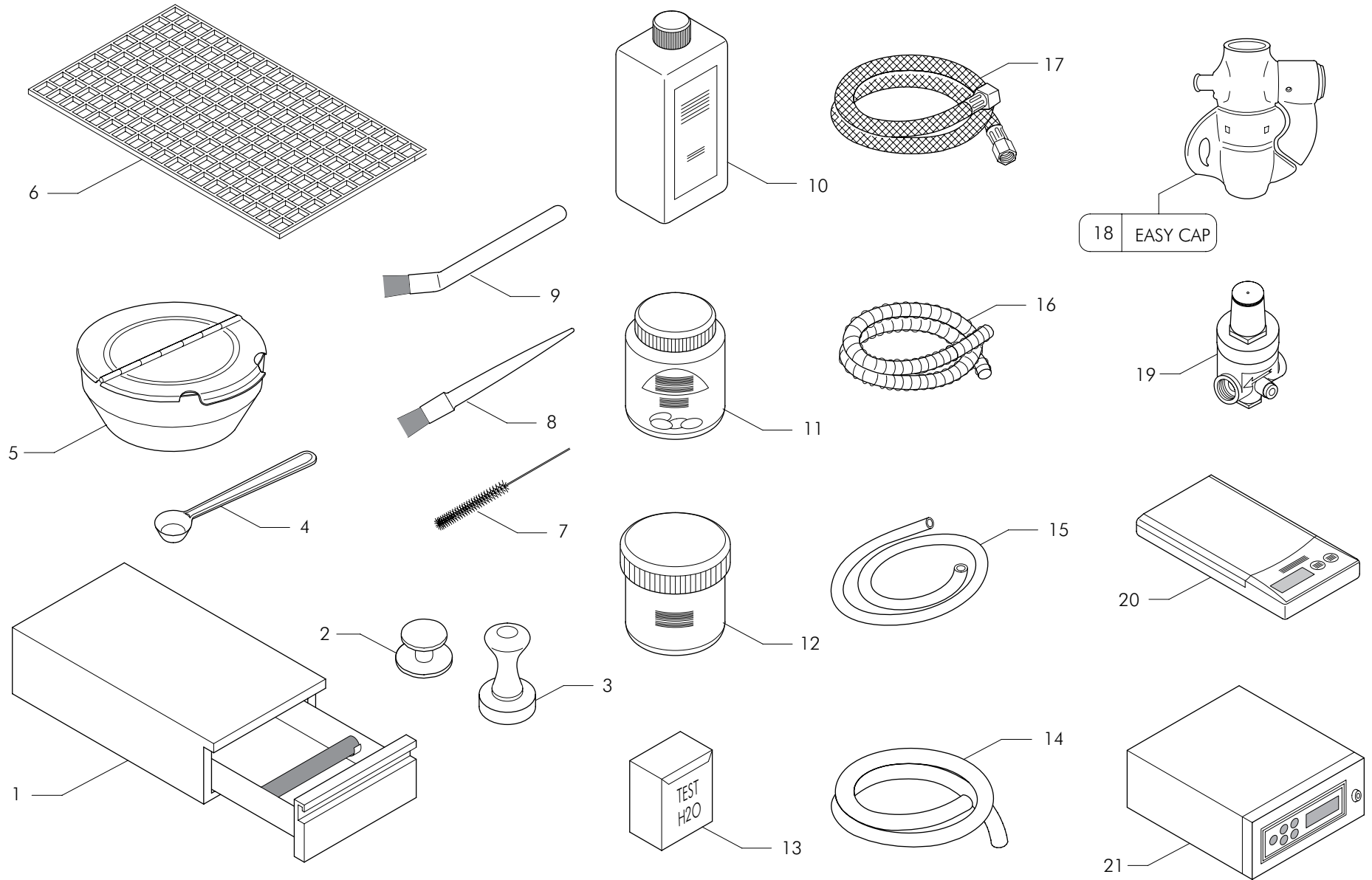
01
05/2007

ACCESSORI

ACCESSORIES

ACCESSOIRES

ZUBEHÖR



Pos	Cod.	Denominazione - IT -	Denomination - GB -	Denomination - FR -	Denomination - DE -
1	31015001	CASSETTIERA INOX 350X250X75	ST.STEEL BOX WITH DRAWER	TIROIR INOX 350X250X75	SCHUBLADE AUS STAHL 350X250X75
1	31016	CASSETTIERA INOX 1 CASSETTO 500X530CON	SINGLE KNOCK OUT DRAWER 500X530X160	TIROIR A MARC SIMPLE 500X530X160	SCHUBLADE 1GR.500X530
1	31017	CASSETTIERA INOX 2 CASSETTI 700X530CON	DOUBLE KNOCK OUT DRAWER 700X530	TIROIR A MARC DOUBLE 700X530X160	SCHUBLADE 2GR. 700X530
2	15420	PRESSINO CAFFE'	COFFEE PRESS	PRESSE CAFE	EINDRÜCKVORRICHTUNG
3	30004001	PRESSINO D.58 MANICO LEGNO	COFFEE PRESS WOOD HANDLE	PRESSE CAFE MANCHE BOIS	EINDRÜCKVORRICHTUNG HOLZ GRIFF
4	15290	MISURINO IN PLASTICA GR.7	7 GR PLASTIC MEASURE	MESURE EN PLASTIQUE 7 GR.	PLASTIKMESSBECHER GR.7
4	30150	MISURINO ACCIAIO INOX	STAINLESS STEEL MEASURE GR.7	MESURE ACIER INOX 7GR.	EDELSTAHL-MESSBECHER 7GR.
5	30300	ZUCCHERIERA INOX	STAINLESS STEEL SUGAR-BOWL	SUCRIER INOX	ZUCKERDOSE ROSTFREI
6	30225	GRIGLIA MOPLEN TELCO 372X238X4.5	GRATE MOPLEN TELCO 372X238X4.5	GRILLE MOPLEN TELCO 372X238X4.5	GITTER MOPLEN TELCO 372X238X4.5
6	30226	GRIGLIA MOPLEN TELCO 372X203X4.5	GRATE MOPLEN TELCO 372X203X4.5	GRILLE MOPLEN TELCO 372X203X4.5	GITTER MOPLEN TELCO 372X203X4.5
7	15426001	SCOVOLINO INTERDENTALE L MANUALE ROSSO	MANUAL TUBE BRUSH L RED M	ECOUVILLON L MANUEL ROUGE M	REINIGUNGSBUERSTE MANUELL ROT
8	08340	PENNELLO MANICO ROSSO	RED HANDLE BRUSH	PINCEAU POIGNEE ROUGE	ROT PINSELGRIFF
9	15426	SPAZZOLINO NERO SETOLE NYLON CORTE	SHORT BLACK NYLON BRISTLE BRUSH FOR	PETITE BROSSE NOIRE AVEC POILS NYLON	KURZE, SCHWARZE NYLONBUERSTE
10	08453	DETERGENTE V7000 CONF.1LT	DETERGENT V7000 - 1 LT. PACK	DETERGENT V7000 DE 1 LT	REINIGUNGSMITTEL V7000 PACKUNG 1 L
11	08124	PULY CAFF PASTIGLIE CONF.60PZ	DETERG."PULY CAFF" - PACK OF 60 TAB	DETERG. "PULY CAFF" CONF. 60 PASTIL	REINIGUNGSM."PULY CAFF"PACK.60 TABL
12	08126	PULY CAF BARATTOLO CONF.900GR	PULY CAF - CAN - 900 GR	DETERG. "PULY CAFF" CONF. 900 GR	DUSTY CAF 900 GR.
13	08120	TEST PROVA ACQUA MERK	MERK WATER TEST	TEST PREUVE MERK	MERK WASSER TEST
14	15458	TUBO RETINATO CRISTALLINO 16X10	TUBE 16X10	TUYAU 16X10	ROHR 16X10
15	15476	TUBO SILICONE 5X8 KGXMT 0.044	5X8 SILICONE PIPE	TUYAU SILICONE 5X8 KGXMT 0.04	SILIKONROHR 5X8 KGXMT 0.044
16	15470	TUBO CAVOFLEX D16 SCARICO	D16 CAVOFLEX DRAIN PIPE	TUYAU CAVOFLEX D16 SCARICO	ABFLUSSROHR CAVOFLEX D16
17	30401	TUBOFLEX 1/4FF P.GOMMA CON. L28 NI	1/4 FEMALE L28 FLEX PIPE CONICAL HOSE	TUYAU FLEX 1/4 FF L28 PORTE-TUYAU	SCHLAUCH 1/4 AUFNAHMETÜR L28 GUMMI KONI
17	30403	TUBOFLEX 3/8FF P.GOMMA CON. L33 NI	3/8 FEMALE L33 FLEX PIPE CONICAL HOSE	TUYAU FLEX 3/8 FF L33 PORTE-TUYAU	SCHLAUCH 3/8 AUFNAHMETÜR L33 GUMMI KONI
17	30404	TUBOFLEX 3/8FF P.GOMMA CON. L45 NI	3/8 FEMALE L45 FLEX PIPE CONICAL HOSE	TUYAU FLEX 3/8 FF L45 PORTE-TUYAU	SCHLAUCH 3/8 AUFNAHMETÜR L45 GUMMI KONI
17	30407	TUBOFLEX 3/8FF P.GOMMA CON. L100 NI	3/8 FEMALE L100 FLEX PIPE CONICAL HOSE	TUYAU FLEX 3/8 FF L100 PORTE-TUYAU	SCHLAUCH 3/8 AUFNAHMETÜR L100 GUMMI KONI
17	30408	TUBOFLEX 3/8FF P.GOMMA CON. L150 NI	3/8 FEMALE L150 FLEX PIPE CONICAL HOSE	TUYAU FLEX 3/8 FF L150 PORTE-TUYAU	SCHLAUCH 3/8 AUFNAHMETÜR L150 GUMMI KONI
18	30515000	CAPPUCCINATORE COMPLETO	CAPPUCCINO MAKER COMPLETE	KIT CAPPUCCINO COMPLET	CAPPUCCINO ZUBEREITER
19	26330	RIDUTTORE PRESSIONE STANDARD PN25 DN3/8	STANDARD PRESS. REDUCTOR PN25 DN3	REDUCTEUR PRESS. STANDARD PN25 DN3/	DRUCKREDUZIERER STANDARD PN25 DN3/8
20	35AA0310	BILANCIA DIGITALE	DIGITAL SCALE	BALANCE DIGITAL	DIGITALWAAGE
21	26025	CONTABATTUTE SEMPLICE 220V 951419	SIMPLIFIED COUNTER 220V 951419	COMPTE-COUPS SEMPLIFIE 220V 951419	ZAHLER 220V 951419
21	26026	CONTABATTUTE 15 CHIAVI 220V 950859	COUNTER 15 KEYS 220V 950859	COMPTE-COUPS 15 CLES 220V 950859	ZAHLER 15 SCHLUSSEL 220V 950859
21	26028	CONTABATTUTE 15 CHIAVI 110V 951436	COUNTER 15 KEYS 110V 951436	COMPTE-COUPS 15 CLES 110V 951436	ZAHLER 15 SCHLUSSEL 110V 951436

INDICE - INDEX - SOMMAIRE - VERZEICHNIS

MOT

rev.

MOT-01

Motopompa - Motor pump
Motopompe - Motor pump

CMA

01
03/2007

MOT-02

Motopompa - Motor pump
Motopompe - Motor pump

COMPATTA-ECO

01
03/2007

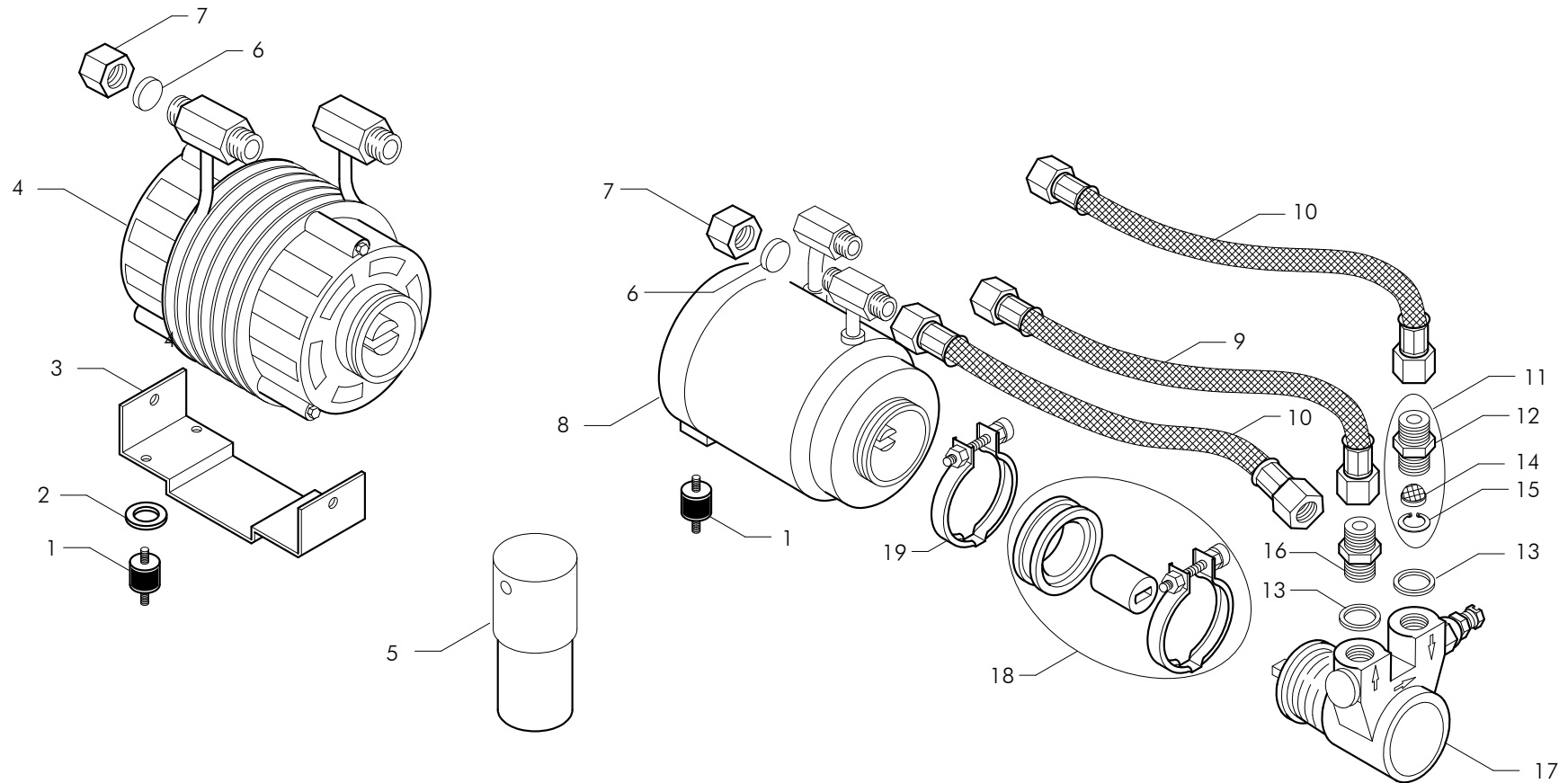
MOT-03

Motopompa - Motor pump
Motopompe - Motor pump

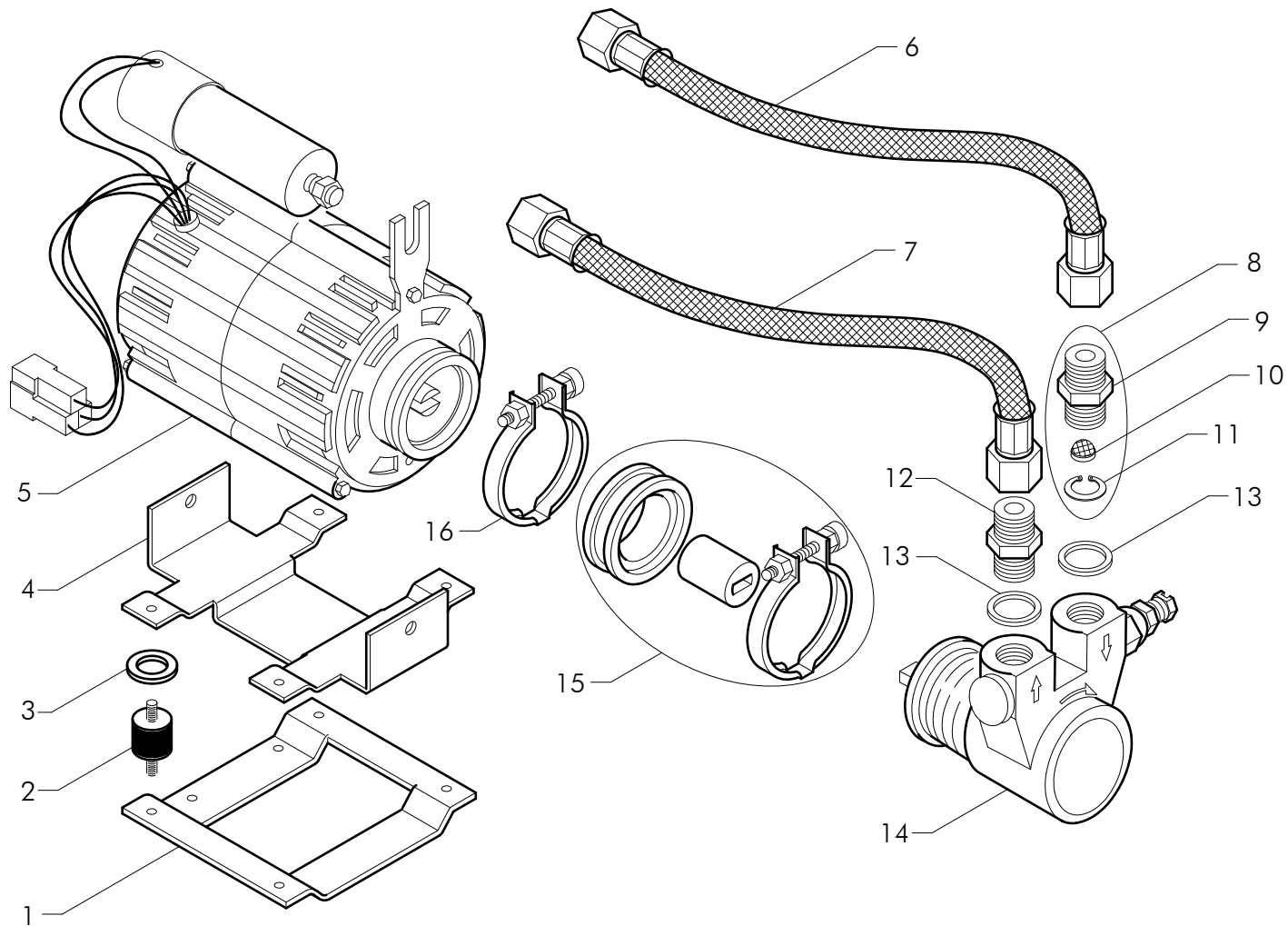
CK/CKE - CKX/CKXE

01
03/2007

*Motopompa
Motor pump
Motopompe
Motor pump*

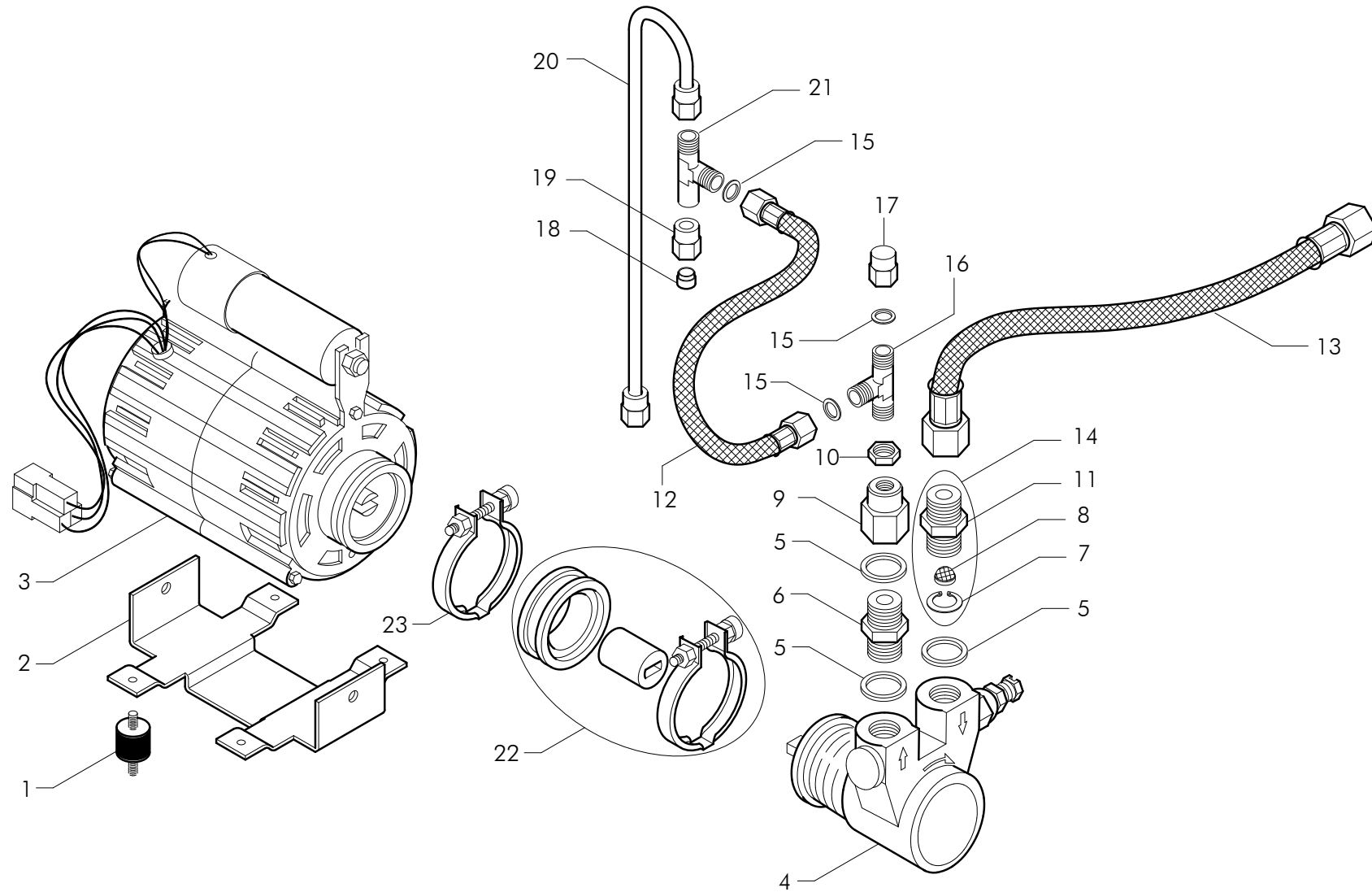


Pos	Cod.	Denominazione - IT -	Denomination - GB -	Denomination - FR -	Denomination - DE -
1	15105	GOMMA AMMORTIZZATORE X MOTORE RAF.H2O ZEC	RUBBER FOR WATER COOLED MOTOR ZEC.	CAOUTCHOUC POUR MOTEUR REFROID.EAU ZEC.	GUMMI X WASSERGEKÜHLTER MOTOR ZEC.
2	23265	RONDELLA GREMB. INOX 4X12 UNI 6593	STAINLESS WASHER 4X12 UNI 6593	RONDELLE INOX 4X12 UNI 6593	STAHLSCHEIBE 4X12 UNI 6593
3	78174	SUPPORTO MOTORE INCORPORATO R.P.M.	MOTOR BEAR. RPM	SUPPORT MOT. RPM	EINGEBAUTER MOTORHALTER RPM
4	56406	MOTORE RPM NI 230V 50/60 R.H2O ASSIEME	MOTOR RPM 230V 50/60HZ H2O	MOTEUR RPM 230V 50/60HZ H2O	MOTOR RPM 230V 50/60HZ H2O
4	56407	MOTORE RPM NI 120V 60HZ R.H2O ASSIEME	MOTOR RPM 120V 60HZ H2O	MOTEUR RPM 120V 60HZ H2O	MOTOR RPM 120V 60HZ H2O
5	19050	CONDENSATORE MOTORE 220V 10MF	MOTOR CAPACITOR 220V 10MF	CONDENSATEUR MOTEUR 220V 10MF	MOTORKONDENSATOR 220V 10MF
5	19051	CONDENSATORE MOTORE 110V 20MF	MOTOR CAPACITOR 110V 20MF	CONDENSATEUR MOTEUR 110V 20MF	MOTORKONDENSATOR 110V 20MF
5	19062	CONDENSATORE MOTORE 230V6UF Y001400	MOTOR CAPACITOR 230V 6UF Y001400	CONDENSATEUR MOTEUR 230V6UF Y001400	KONDENSATOR MOTOR 230V 6UF Y001400
6	12007	GUARNIZIONE KLINGERSIL4400	KLINGERSIL4400 COPPER SEAL	JOINT KLINGERSIL4400 POUR BOUCHON	DICHTUNG KLINGER SIL4400 X DECKEL
7	25782	TAPPO FEMMINA 1/4 GAS	1/4 GAS FEMALE TAP	BOUCHON FEMELLE 1/4 GAZ	INNENANSCHLUSSSTÖPSEL 1/4 GAS
8	56401	MOT.ZEC NI 120V 60HZ R.H2O ASSIEME	MOTOR ZEC 120V 60HZ H2O	MOTEUR ZEC 120V 60HZ H2O	MOTOR ZEC 120V 60HZ H2O
8	56402	MOT.ZEC NI 230V 50/60HZ R.H2O ASSIEME	MOTOR ZEC 230V 50/60HZ H2O	MOTEUR ZEC 230V 50/60HZ H2O	MOTOR ZEC 230V 50/60HZ H2O
9	30403	TUBOFLEX 3/8FF P.GOMMA CON. L33 NI	3/8 FEMALE L33 FLEX PIPE CONICAL HOSE F	TUYAU FLEX 3/8 FF L33 PORTE-TUYAU	SCHLAUCH 3/8 AUFNAHMETÜR L33 GUMMI KONI
10	30404	TUBOFLEX 3/8FF P.GOMMA CON. L45 NI	3/8 FEMALE L45 FLEX PIPE CONICAL HOSE F	TUYAU FLEX 3/8 FF L45 PORTE-TUYAU	SCHLAUCH 3/8 AUFNAHMETÜR L45 GUMMI KONI
11	56116	RACCORDO 3/8+3/8 MOTOPOMPA ASSIEME	CONNECTOR 3/8+3/8 PUMP ASSEMBLY	RACCORD 3/8 + 3/8 ENS. MOTOPOMPE	ANSCHLUSS 3/8 + 3/8 MOTORP. ZUSAMMEN
12	25732	RACCORDO 3/8X3/8 + SEDE FILTRO	3/8X3/8 FITTING + FILTER HOUSING	RACCORD 3/8X3/8 + LOG. FILTRE	ANSCHLUSS 3/8X3/8 + FILTERSITZ
13	12154	GUARNIZIONE CU 3/8 22X17X1.5	3/8 22X17X1.5 COPPER SEAL	JOINT CUIVRE 3/8 22X17X1.5	KUPFERDICHTUNG 3/8 22X17X1.5
14	10254	FILTRO ACCIAIO 160-200 MESH	STEEL FILTER 160-200 MESH	FILTRE EN ACIER 160-200 MESH	STAHLFILTER 160-200 MESH
15	10005	ANELLO DI ARRESTO INOX DIN472 D11	DIN472 D11 STAINLESS STEEL STOP RING	ANNEAU DE BUTEE INOX DIN472 D11	DRAHTSPRENGRING ROSTFREI DIN472 D11
16	25687	RACCORDO 3/8X3/8 GAS	3/8X3/8 GAS FITTING	RACCORD 3/8X3/8 GAZ	ANSCHLUSS 3/8X3/8 GAS
17	26302	POMPA PROCON CO 51509BLF PASSO 3/8GAS	CO 51509 PROCON PUMP, 3/8NPT PITCH	POMPE PROCON CO 51509 PAS 3/8NPT	PUMPE PROCON CO 51509 SCHRITT 3/8N
17	26303	POMPA FLUID-O-TECH PO 204 BY PASS ETL	PO 204 BY PASS PUMP ETL	POMPE PO 204 BY PASS ETL	PUMPE PO 204 BY PASS ETL
17	26303001	POMPA FLUID-O-TECH PO 104 NFS 3/8G	PUMP FLUID-O-TECH PO 104 NSF 3/8G	POMPE FLUID-O-TECH PO104 NFS 3/8G	PUMPE FLUID-O-TECH PO 104 NFS 3/8G
18	83260016R	KIT DISACCOPIAMENTO MOTORE POMPA	KIT COUPLING MOTOR-PUMP	ENSEMBLE DECOUPLAGE MOTEUR POMPE	KIT MOTOR-PUMPE KUPPLUNG
19	26310003	FASCETTA GIUNZIONE MOTORE-POMPA	CLAMP MOTOR-PUMP	BANDE MOTEUR-POMPE	SHELLE MOTOR-PUMPE



Pos	Cod.	Denominazione - IT -	Denomination - GB -	Denomination - FR -	Denomination - DE -
1	78174002	SUPPORTO MOTORE	MOTOR PUMP BEAR.	SUPPORT MOT.POMPE	MOTOR PUMPE HEALTER
2	15105	GOMMA AMMORTIZZATORE X MOTORE RAF.H2O ZEC	RUBBER FOR WATER COOLED MOTOR ZEC.	CAOUTCHOUC POUR MOTEUR REFROID.EAU ZEC.	GUMMI X WASSERGEKÜHLTER MOTOR ZEC.
3	23265	RONDELLA GREMB. INOX 4X12 UNI 6593	STAINLESS WASHER 4X12 UNI 6593	RONDELLE INOX 4X12 UNI 6593	STAHLSCHEIBE 4X12 UNI 6593
4	78174001	SUPPORTO MOTORE INC. RPM	MOTOR SUPPORT	SUPPORT MOTEUR	EINGEBAUTER MOTORHALTER
5	18303	MOTORE R.P.M. 230V 120W	MOTOR R.P.M. 230V 120W	MOTEUR R.P.M. 230V 120W	MOTOR R.P.M. 230V 120W
5	18304	MOTORE R.P.M. 110V 120W	MOTOR R.P.M. 110V 120W	MOTEUR R.P.M. 110V 120W	MOTOR R.P.M. 110V 120W
6	30403	TUBOFLEX 3/8FF P.GOMMA CON. L33 NI	3/8 FEMALE L33 FLEX PIPE CONICAL HOSE F	TUYAU FLEX 3/8 FF L33 PORTE-TUYAU	SCHLAUCH 3/8 AUFNAHMETÜR L33 GUMMI KONI
7	30404	TUBOFLEX 3/8FF P.GOMMA CON. L45 NI	3/8 FEMALE L45 FLEX PIPE CONICAL HOSE F	TUYAU FLEX 3/8 FF L45 PORTE-TUYAU	SCHLAUCH 3/8 AUFNAHMETÜR L45 GUMMI KONI
8	56116	RACCORDO 3/8+3/8 MOTOPOMPA ASSIEME	CONNECTOR 3/8+3/8 PUMP ASSEMBLY	RACCORD 3/8 + 3/8 ENS. MOTOPOMPE	ANSCHLUSS 3/8 + 3/8 MOTORP. ZUSAMMEN
9	25732	RACCORDO 3/8X3/8 + SEDE FILTRO	3/8X3/8 FITTING + FILTER HOUSING	RACCORD 3/8X3/8 + LOG. FILTRE	ANSCHLUSS 3/8X3/8 + FILTERSITZ
10	10254	FILTRO ACCIAIO 160-200 MESH	STEEL FILTER 160-200 MESH	FILTRE EN ACIER 160-200 MESH	STAHLFILTER 160-200 MESH
11	10005	ANELLO DI ARRESTO INOX DIN472 D11	DIN472 D11 STAINLESS STEEL STOP RING	ANNEAU DE BUTEE INOX DIN472 D11	DRAHTSPRENGRING ROSTFREI DIN472 D11
12	25687	RACCORDO 3/8X3/8 GAS	3/8X3/8 GAS FITTING	RACCORD 3/8X3/8 GAZ	ANSCHLUSS 3/8X3/8 GAS
13	12154	GUARNIZIONE CU 3/8 22X17X1.5	3/8 22X17X1.5 COPPER SEAL	JOINT CUIVRE 3/8 22X17X1.5	KUPFERDICHTUNG 3/8 22X17X1.5
14	26303001	POMPA FLUID-0-TECH PO 104 NFS 3/8G	PUMP FLUID-0-TECH PO 104 NSF 3/8G	POMPE FLUID-0-TECH PO104 NFS 3/8G	PUMPE FLUID-0-TECH PO 104 NFS 3/8G
15	83260016R	KIT DISACCOPIAMENTO MOTORE POMPA	KIT COUPLING MOTOR-PUMP	ENSEMBLE DECOUPLAGE MOTEUR POMPE	KIT MOTOR-PUMPE KUPPLUNG
16	26310003	FASCETTA GIUNZIONE MOTORE-POMPA	CLAMP MOTOR-PUMP	BANDE MOTEUR-POMPE	SHELLE MOTOR-PUMPE





Pos	Cod.	Denominazione - IT -	Denomination - GB -	Denomination - FR -	Denomination - DE -
1	15105	GOMMA AMMORTIZZATORE X MOTORE RAF.H2O ZEC	RUBBER FOR WATER COOLED MOTOR ZEC.	CAOUTCHOUC POUR MOTEUR REFROID.EAU ZEC.	GUMMI X WASSERGEKÜHLTER MOTOR ZEC.
2	78174001	SUPPORTO MOTORE INC. RPM	MOTOR SUPPORT	SUPPORT MOTEUR	EINGEBAUTER MOTORHALTER
3	18303	MOTORE R.P.M. 230V 120W	MOTOR R.P.M. 230V 120W	MOTEUR R.P.M. 230V 120W	MOTOR R.P.M. 230V 120W
3	18304	MOTORE R.P.M. 110V 120W	MOTOR R.P.M. 110V 120W	MOTEUR R.P.M. 110V 120W	MOTOR R.P.M. 110V 120W
4	26303002	POMPA FLUID-0-TECH 50LT/H P0054	FLUID-0-TECH PUMP	POMPE FLUID-0-TECH 50 LT/H P005	PUMPE FLUID-0-TECH
5	12154	GUARNIZIONE CU 3/8 22X17X1.5	3/8 22X17X1.5 COPPER SEAL	JOINT CUIVRE 3/8 22X17X1.5	KUPFERDICHTUNG 3/8 22X17X1.5
6	25687	RACCORDO 3/8X3/8 GAS	3/8X3/8 GAS FITTING	RACCORD 3/8X3/8 GAZ	ANSCHLUSS 3/8X3/8 GAS
7	10005	ANELLO DI ARRESTO INOX DIN472 D11	DIN472 D11 STAINLESS STEEL STOP RING	ANNEAU DE BUTEE INOX DIN472 D11	DRAHTSPRENGRING ROSTFREI DIN472 D11
8	10254	FILTRO ACCIAIO 160-200 MESH	STEEL FILTER 160-200 MESH	FILTRE EN ACIER 160-200 MESH	STAHLFILTER 160-200 MESH
9	25744	RIDUZIONE 1/8FX3/8F V.N.R.	REDUCTION 1/8FX3/8F	REDUCTION 1/8FX3/8F	REDUKTION 1/8FX3/8F
10	25395	DADO 1/8 MANOMETRO	1/8 NUT GAUGE	ECROU 1/8 MANOMETRE	MUTTER 1/8 MANOMETER
11	25732	RACCORDO 3/8X3/8 + SEDE FILTRO	3/8X3/8 FITTING + FILTER HOUSING	RACCORD 3/8X3/8 + LOG. FILTRE	ANSCHLUSS 3/8X3/8 + FILTERSITZ
12	30405	TUBOFLEX 1/8FF P.GOMMA PIA. L19 NI	TUBOFLEX 1/8FF RUBBER-HOLDER L19	TUBOFLEX 1/8FF PORTE-TUYAU L19	TUBOFLEX 1/8FF GUMMI-HALTER L19
13	30408	TUBOFLEX 3/8FF P.GOMMA CON. L150 NI	3/8 FEMALE L150 FLEX PIPE CONICAL HOSE F	TUYAU FLEX 3/8 FF L150 PORTE-TUYAU	SCHLAUCH 3/8 AUFNAHMETÜR L150 GUMMI KONI
14	56116	RACCORDO 3/8+3/8 MOTOPOMPA ASSIEME	CONNECTOR 3/8+3/8 PUMP ASSEMBLY	RACCORD 3/8 + 3/8 ENS. MOTOPOMPE	ANSCHLUSS 3/8 + 3/8 MOTORP. ZUSAMMEN
15	12012	GUARNIZIONE TEFLON 8.5X4X2	GASKET TEFLON 8.5X4X2	JOINT TEFLON 8.5X4X2	DICHTUNG TEFLON 8.5X4X2
16	23211	RACCORDO OTT."T" 1/8X1/8X1/8 30006	BRASS CONNECTOR 'T' 1/8X1/8X1/8	RACCORD LAITON "T" 1/8X1/8X1/8	MESSING FITTING "T" 1/8X1/8X1/8
17	25790	TAPPO 1/8 GAS FEMMINA	FEMALE CAP 1/8 GAS	BOUCHON FEMELLE 1/8 GAS	STOPFEN 1/8 GAS
18	25800	TERMINALE D6	TERMINAL D6	BORNE D6	ENDVERSCHLUSS D6
19	25701	RACC.MANOMETRO 1/8 FORO 6	MANOMETER CONNECTOR 1/8 HOLE 6	RACCORD MANOMETRE 1/8 TROU 6	MANOMETERFITTING 1/8 LOCH 6
20	52002053	TUB.D-6 L.200 CO 43 RACC."T" ORIENT> EV AEA	TUBE D-6 L.200	TUYAU D-6 L.200	ROHR D-6 L.200
21	23195	RACCORDO OTT."T" ORIENT. S03600-A-6-6	BRASS FITTING 'T' S03600-A-6-6	RACCORD LAITON 'T' S03600-A-6-6	MESSING FITTING 'T' S03600-A-6-6
22	83260016R	KIT DISACCOPIAMENTO MOTORE POMPA	KIT COUPLING MOTOR-PUMP	ENSEMBLE DECOUPLAGE MOTEUR POMPE	KIT MOTOR-PUMPE KUPPLUNG
23	26310003	FASCETTA GIUNZIONE MOTORE-POMPA	CLAMP MOTOR-PUMP	BANDE MOTEUR-POMPE	SHELLE MOTOR-PUMPE

INDICE - INDEX - SOMMAIRE - VERZEICHNIS

ACC

ACC-02

ADDOLCITORI - WATER SOFTENER - ADOUCISSEUR - ENTHARTER

rev.

01
05/2007

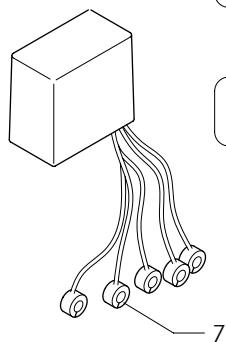
ADDOLCITORI
WATER SOFTENER
ADOUCISSEUR
ENTHARTER

MULTIHEAD

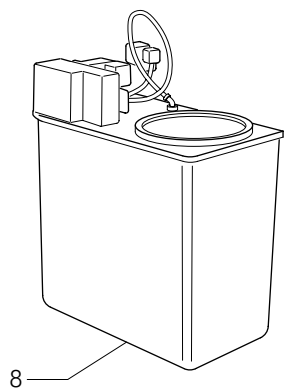
1	1GR
2	2GR
3	3GR
4	4GR

SIBILLA

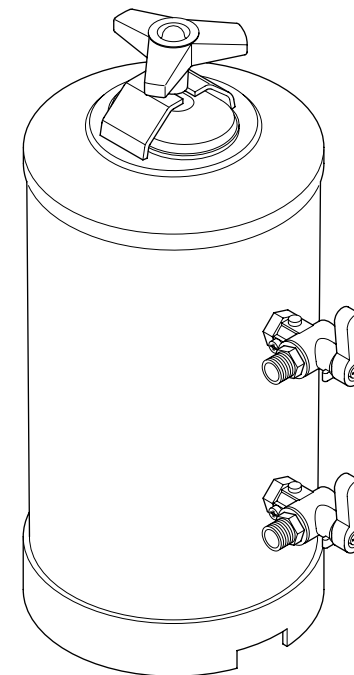
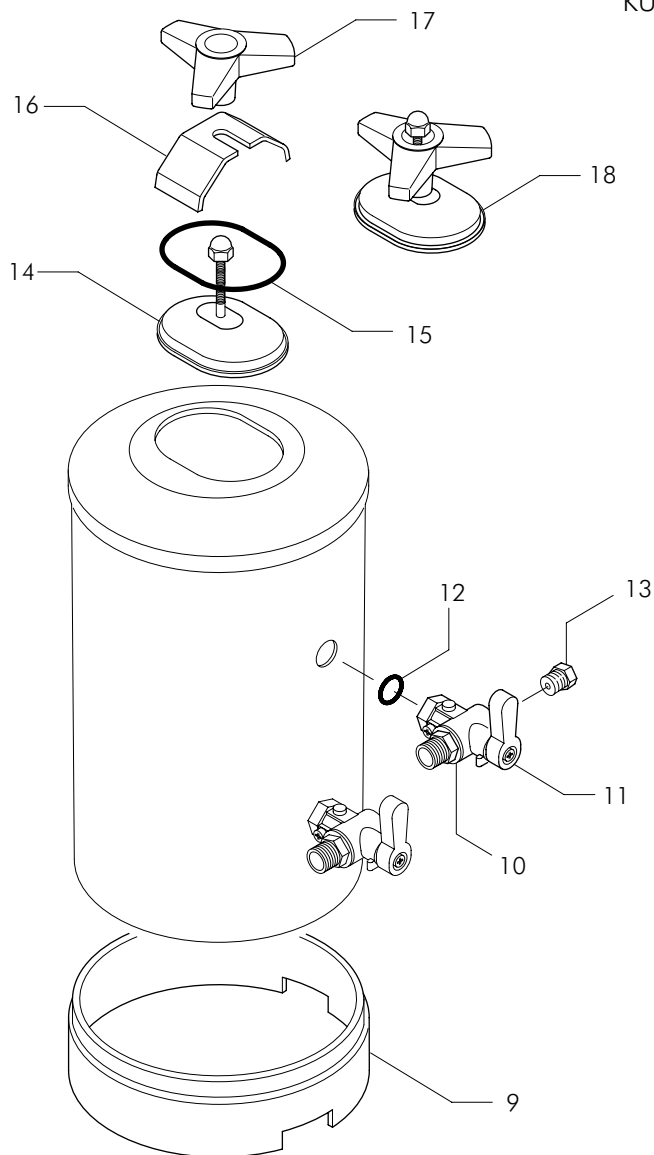
5	2GR
6	3GR



AUTOMATICO-AUTOMATIC
AUTOMATIQUE-AUTOMATISCHE



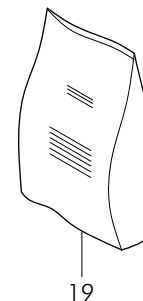
RESINE - RESIN
KUNSTHARZ



20	5 LT
21	8 LT
22	12 LT
23	16 LT
24	20 LT

BY-PASS

25	8 LT
26	12 LT
27	16 LT



Pos	Cod.	Denominazione - IT -	Denomination - GB -	Denomination - FR -	Denomination - DE -
1	83260006R	KIT ADD.MULTIHEAD 1GR 120V	MULTIHEAD SOFTENER KIT 1GR 120V	KIT ADOUCISSEUR MULTIHEAD 1GR 120V	ELEKT.ENTKAELKER MULTIHEAD 1GR 120V
1	83260007R	KIT ADD.MULTIHEAD 1GR 230V	MULTIHEAD SOFTENER KIT 1GR 230V	KIT ADOUCISSEUR MULTIHEAD 1GR 230V	ELEKT.ENTKAELKER MULTIHEAD 1GR 230V
2	83260025R	KIT ADD.MULTIHEAD 2GR 120V	MULTIHEAD SOFTENER KIT 2GR 120V	KIT ADOUCISSEUR MULTIHEAD 2GR 120V	ELEKT.ENTKAELKER MULTIHEAD 2GR 120V
2	83260026R	KIT ADD.MULTIHEAD 2GR 230V	MULTIHEAD SOFTENER KIT 2GR 230V	KIT ADOUCISSEUR MULTIHEAD 2GR 230V	ELEKT.ENTKAELKER MULTIHEAD 2GR. 230V
3	83260028R	KIT ADD.MULTIHEAD 3GR 230V	MULTIHEAD SOFTENER KIT 3GR 230V	KIT ADOUCISSEUR MULTIHEAD 3GR 230V	ELEKT.ENTKAELKER MULTIHEAD 3GR. 230V
4	83260029R	KIT ADD.MULTIHEAD 4GR 230V	MULTIHEAD SOFTENER KIT 4GR 230V	KIT ADOUCISSEUR MULTIHEAD 4GR 230V	ELEKT.ENTKAELKER MULTIHEAD 4GR. 230V
5	83260019R	KIT ADD.MULTIHEAD 2GR 120V	MULTIHEAD SOFTENER KIT 2GR 120V	KIT ADOUCISSEUR MULTIHEAD 2GR 120V	ELEKT.ENTKAELKER MULTIHEAD 2GR 120V
5	83260020R	KIT ADD.MULTIHEAD 2GR 230V	MULTIHEAD SOFTENER KIT 2GR 230V	KIT ADOUCISSEUR MULTIHEAD 2GR 230V	ELEKT.ENTKAELKER MULTIHEAD 2GR 230V
6	83260022R	KIT ADD.MULTIHEAD 3GR 230V	MULTIHEAD SOFTENER KIT 3GR 230V	ADOUCISSEUR MULTIHEAD 3GR 230V	ELEKT.ENTKAELKER MULTIHEAD 3GR 230V
7	26038004	TESTA FERRITE MULTIHEAD	FERRITE RING MULTIHEAD	ANNEAU EN FERRITE MULTIHEAD	FERRITRING MULTIHEAD
8	26037	ADDOLC.AUT.CABIN.LT 8 DM 01 3/8"	AUTOMATIC WATER SOFTENER LT.8	ADOUCISSEUR AUTOMATIQUE LT.8	AUTOMATISCHE ENTHARTER DVA LT.8
8	26037001	ADDOLC.AUT.CABIN.LT 8 3/8" TESTATA USA	AUTOMATIC WATER SOFTENER LT.8 USA	ADOUCISSEUR AUTOMATIQUE LT.8 USA	AUTOMATISCHE ENTHARTER DVA LT.8 USA
9	28072	FONDELLO ADDOLCITORE	SOFTENER PLASTIC LOWER BASE	CULOT ADOUCISSEUR	BODEN ENTKALKER
10	28284	RUBINETTO PER ADDOLCITORE	TAP FOR SOFTENER	ROBINET POUR ADOUCISSEUR	HAHN FÜR ENTHÄRTER
11	28203	MANOPOLA ROSSA RUBINETTO ADDOLCIT.	RED HANDLE X WATER SOFTENER TAP	POIGNEE ROUGE X ROBINET ADOUCISSEUR	ROTER HANDGRIFF X ENTKALKERHAHN
12	12300	GUARNIZIONE OR 113 NBR/70	O RING GASKET 113 NBR/70	JOINT OR 113 NBR/70	OR-DICHTUNG 113 NBR/70
13	10320500	GIGLER OT X ADOLCITORE M6 FORO D-1 R13	SOFTENER LOWER TAP GIGLEUR	GICLEUR LAITON POUR ADOUCISSEUR M6 X	VERMESSINGTE ENTKALKER M6 D-0,8
14	28071	CORPO TAPPO + TIRANTEXADDOLCIT. C11	CAP + TIE ROD FOR SOFTENER	BOUCHON ADOUCISSEUR	ENTKALKERSTOPFEN
15	12410	GUARNIZIONE X TAPPO ADDOLCITORE	GASKET X WATER SOFTENER CAP	JOINT X BOUCHON ADOUCISSEUR	DICHTUNG X ENTKALKERSTOPFEN
16	28324	STAFFA TAPPO ADDOLCITORE C12	BRACKET CAP FOR SOFTENER	MEULE BOUCHON ADOUCISSEUR	BUGEL ENTKALKER
17	28205	MANOPOLA TAPPO ADDOLCITORE C9	SOFTENER TOP PLASTIC KNOB	POIGNEE BOUCHON ADOUCISSEUR	ENTKALKER HANDGRIFF
18	28205001	TAPPO ADDOLCITORE COMPLETO C10	SOFTENER COMLETE TOP LID	BOUCHON ADOUCISSEUR	DECKEL FUER ENTKALKER
19	28283	RESINA PER ADDOLCITORE	SOFTENER RESIN	RESINE ADOUCISSEUR	KUNSTHARZ FUR ENTKALKER
20	26029	ADDOLCITORE DVA LT 5	DVA 5 LT WATER SOFTENER	ADOUCISSEUR DVA LT 5	ENTKAELKER DVA LT 5
21	26030	ADDOLCITORE DVA LT 8	DVA 8 LT WATER SOFTENER	ADOUCISSEUR DVA LT 8	ENTHÄRTER DVA LT 8
22	26031	ADDOLCITORE DVA LT 12	DVA 12 LT WATER SOFTENER	ADOUCISSEUR DVA LT 12	ENTHÄRTER DVA LT 12
23	26032	ADDOLCITORE DVA LT 16	DVA 16 LT WATER SOFTENER	ADOUCISSEUR DVA LT 16	ENTHÄRTER DVA LT 16
24	26038011	ADDOLCITORE DVA LT 20	DVA 20 LT WATER SOFTENER	ADOUCISSEUR DVA LT 20	ENTHÄRTER DVA LT 20
25	26033	ADDOLCITORE DVA LT 8 BY-PASS	WATER SOFTENER DVA LT. 8 BY-PASS	ADOUCISSEUR DVA LT. 8 BY-PASS	ENTKALKER DVA LT.8 BY-PASS
26	26034	ADDOLCITORE DVA LT 12 BY-PASS	WATER SOFTENER DVA LT. 12 BY-PASS	ADOUCISSEUR DVA LT. 12 BY-PASS	ENTHARTER DVA LT.12 BY-PASS
27	26035	ADDOLCITORE DVA LT 16 BY-PASS	WATER SOFTNER DVA LT. 16 BY-PASS	ADOUCISSEUR DVA LT. 16 BY-PASS	ENTHALTER DVA LT.16 BY-PASS

INDICE - INDEX - SOMMAIRE - VERZEICHNIS

ACC

ACC-01

TERMORISERVA - BULK UNIT - THERMO RESERVE - BRUHGRUPPE

rev.

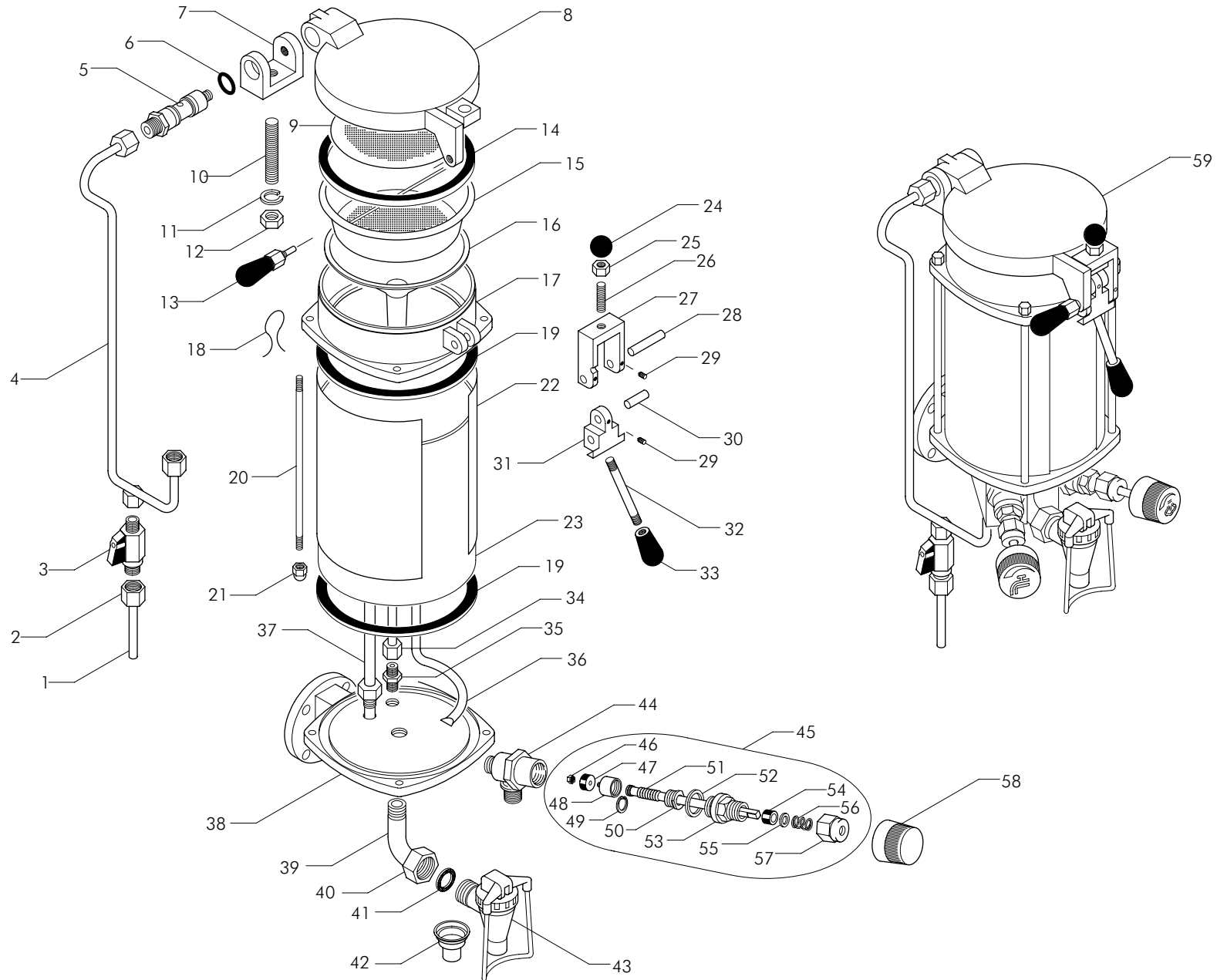
00
05/2007

TERMORISERVA

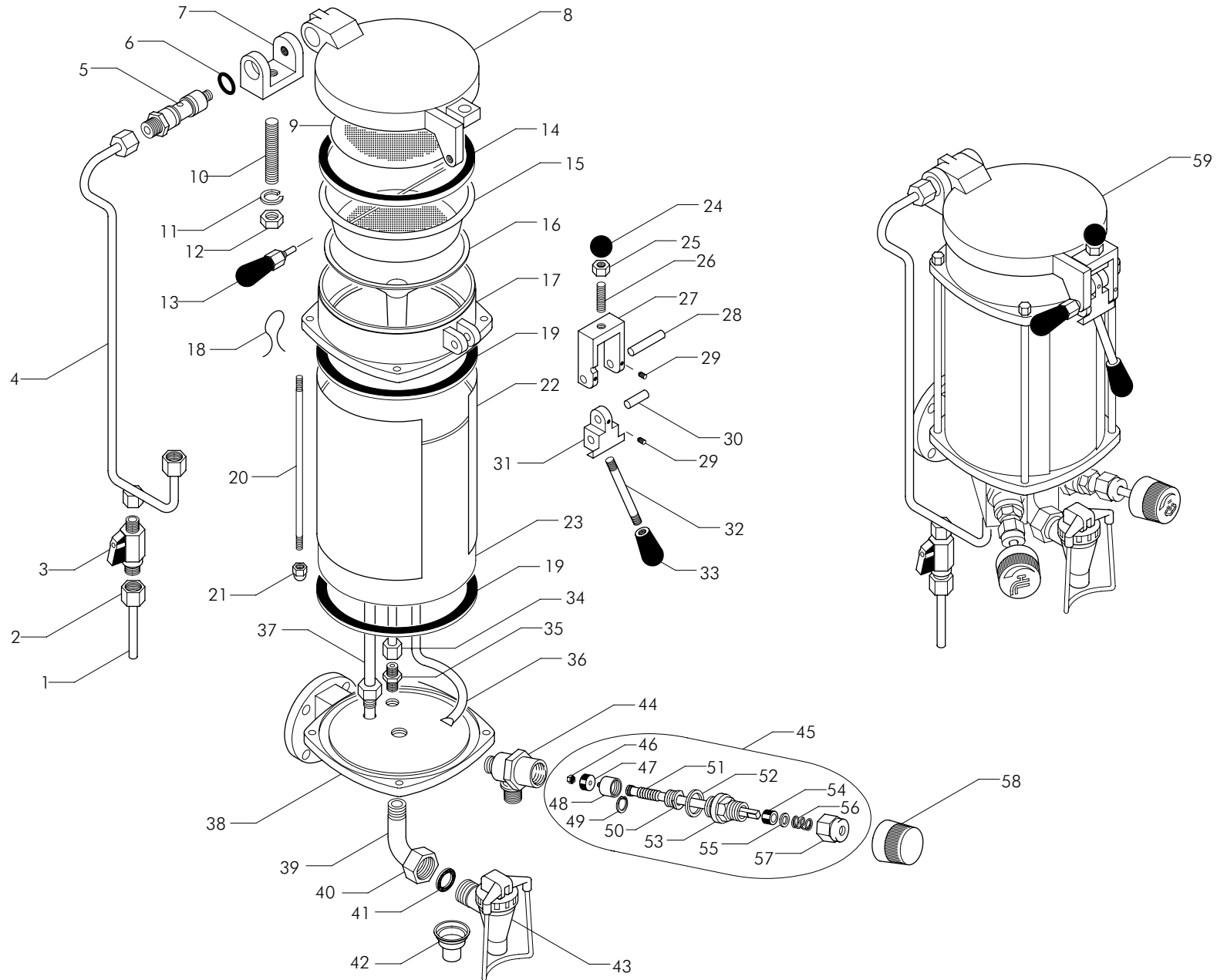
BULK UNIT

THERMO RESERVE

BRUHGRUPPE



Pos	Cod.	Denominazione - IT -	Denomination - GB -	Denomination - FR -	Denomination - DE -
1	52001906	TUB.D-8 L.40 2-3GR UKNT 21	TUBE D-8 L.40 2-3GR	TUYAU D-8 L.40 2-3GR	ROHR D-8 L.40 2-3GR
2	25382	DADO 1/4 FORO 9.5 OTTONE	NUT 1/4 HOLE 9.5	ECROU 1/4 TROU 9.5	SCHRAUBENMUTTER 1/4 LOCH 9.5
3	20354	VALVOLA CHIUSURA AEA	PRESSURE RELEASE TAP BULK UNIT	CLAPET FERMETURE AUT.ARRIVEE EAU	ABSPERRVENTIL X AUT.WASSERZUFUHR
4	52001896	TUB.D-8 L.510 2-3GR UKNT 1	TUBE D-8 L.510 2-3GR	TUYAU D-8 L.510 2-3GR	ROHR D-8 L.510 2-3GR
5	25605	PERNO COPERCHIO T.RISERVA CROMATO	BULK UNIT LID HINGE	PIVOT COUVERCLE THERMO RESERVE	ZAPFEN BRUHGRUPPEDECKEL - CHROM
6	12303	GUARNIZIONE OR 119 HNBR TAPPO	CAP O RING GASKET 119	JOINT OR 119 POUR BOUCHON	OR DICHTUNG FUR STOPFEN 119
7	53210	FORCELLA FULCRO COPER. TR CROMATO	FORK FOR BULK UNIT CAP	FOURCHETTE COUVERCLE THERMO RESERVE	GABEL FUR BRUHGRUPPEDECKEL - CHROM
8	53220	COPERCHIO TERMORISERVA CROMATO	BULK UNIT CAP	COUVERCLE THERMO RESERVE	BRUHGRUPPEDECKEL
9	28105	DOCCIA PER TERMORISERVA	BULK UNIT SHOWER PLATE	DOUCHETTE THERMO RESERVE	VERTEILERSIEB X BRUHGRUPPE
10	25320	BARRA FIL.L72 M12 AISI 304 LUCIDATO	BULK UNIT CUTTING PIN L=72 M12 AISI	TIGE L=72 M12 THERMO RES. M12 AISI	STANGE L=72 M12 BRUHGRUPPE M12 AISI
11	23275	RONDELLA INOX GROVER 12	GROVER WASHER 12	RONDELLE INOX GROVER 12	STAHLSCHEIBE GROVER 12
12	23056	DADO M12 BASSO OTTONE CROMATO	LOW NUT M12 CHROMED BRASS	ECROU INFERIEUR M12 LAITON CHROME	UNTERE MUTTER M12 - MESSING CHROM
13	20120	POMELLO SICUREZZA PORTAFILTRO TR	FILTER HOLTER SECURITY KNOB B.U.	POMMEAU SURETE PORTE FILTRE T.R.	SICHERHEITSGRIFF FILTERHALTER B.G.
14	12210	GUARNIZIONE GOMMA TERMORISERVA	BULK UNIT LID SEAL 148X133X7	JOINT THERMO RESERVE 148X133X7	BRUHGRUPPEDICHTUNG 148X133X7
15	28124	FILTRO PER GRUPPO TR TIPO GAGGIA	BULK UNIT FILTER	FILTRE GROUPE THERMO RESERVE	BRUHGRUPPEFILTER
16	28160	IMBUTO GR ROSSI TERMORISERVA R 2736	BULK UNIT FUNNEL R 2736	ENTONNOIR GR. THERMO RESERVE R 2736	TRICHTER FUR BRUHGRUPPE R 2736
17	53230	ANELLO SUP.PORTAFILTRO TR CROMATO	FILTER HOLDER TOP RING FOR B.U.	BAGUE PORTE-FILTRE THERMO RESERVE	FILTERGRIFFRING FUR BRUHGRUPPE
18	28232	MOLLA IMBUTO TERMORISERVA R 2130	SPRING FUNNEL BULK UNIT R 2130	RESSORT ENTONNOIR T.RESERVE R 2130	TRICHTERFEDER BRUHGRUPPE R 2130
19	12209	GUARNIZIONE GOMMA TERMORISERVA	BULK UNIT GLASS SEAL 134X154X3	JOINT THERMO RESERVE 134X154X3	BRUHGRUPPEDICHTUNG 134X154X3
20	25304	ASTA D6 AISI L205 TERMORISERVA	BULK UNIT GLASS TIE ROD D=6 L=205	TIGE THERMO RESERVE D=6 L=205	STANGE D6 AISI L205 BRUHGRUPPE
21	23057	DADO CIECO INOX M6 UNI 5721	STEEL BLIND NUT M6 UNI 5721	ECROU INOX AVEUGLE M6 UNI 5721	STAHLHUTMUTTER M6 UNI 5721
22	77691R	PROTEZIONE INOX VETRO TERMORISERVA	BULK UIT STEEL ARMOUR GLASS	PROTECTEUR INOX VERRE THERMO RESERVE	STAHL SCHULTZ GLAS BRUHGRUPPE
23	20500	VETRO TERMORISERVA D150/D140/H180	BULK UNIT GLASS D150/D140/H180	VERRE THERMORESERVE D150/D140/H180	BRUHGRUPPEGLAS D150/D140/H180
24	15405	POMELLO TERMORISERVA PL25 M10	KNOB M10 FOR BULK UNIT PL25	POMMEAU M10 T.R. PL25	KUGELGRIFF M10 BRUHGRUPPE PL25
25	23052	DADO OTTONE M10 UNI 5587 #	TOP BRASS NUT M10 UNI 5587	ECROU LAITON SUPERIEUR M10 UNI 5587	UNTER/MESSING MUTTER M10 UNI 5587
26	10402	GRANO CE 10X35 INOX UNI 5923	STEEL GRUB SCREW 10X35 UNI 5923	GRAIN CE 10X35 INOX UNI 5923	STAHLGEWINDESTIFT 10X35 UNI 5923
27	53250	FORCELLA BLOCCA COPER. TR CROMATO	FORK FOR BULK UNIT CAP	FOURCHETTE COUVERCLE THERMO RESERVE	GABEL FUR BRUHGRUPPEDECKEL
28	25604	PERNO D8 L41 AISI T.RISERVA	BULK UNIT PIN D8 L41	PIVOT D8 L41 THERMO RESERVE	ZAPFEN D8 L41 AISI BRUHGRUPPE
29	10404	GRANO 4X5 PUNTA CONICA BRU.UNI 5927	GRUB SCREW 4X5 CONIC POINT-BLUED FE	GRAIN 4X5 POINTE CONIQUE FE	GEWINDESTIFT 4X5 MIT KEGELSPITZE FE
30	25603	PERNO D8 L25 AISI T.RISERVA	BULK UNIT PIN D8 L25	PIVOT D8 L25 THERMO RESERVE	ZAPFEN D8 L25 AISI BRUHGRUPPE
31	53200	INNESTO LEVA COPERCHIO TR CROMATO	PIVOT FOR BULK UNIT CAP	PIVOT COUVERCLE THERMO RESERVE	EINRUCKEN FUR BRUHGRUPPEDECKEL
32	25303	ASTA D8 AISI L84 TERMORISERVA	BULK UNIT ROD D8 L84	TIGE THERMO RESERVE D8 L84	STANGE D8 AISI L84 BRUHGRUPPE
33	15400	POMELLO LEVETTA POMPA I.147/40-M8	MANUAL FILL LEVER KNOB I.147/40-M8	BOUTON LEVIER POMPE I.147/40-M8	KNAUF PUMPENHEBEL I.147/40-M8
34	25381	DADO 1/4 FORO 6.2	NUT 1/4 HOLE 6.2	ECROU 1/4 TROU 6.2	SCHRAUBENMUTTER 1/4 LOCH 6.2
35	25686	RACCORDO 1/4X1/4 FLANGIA	CONNECTOR 1/4 X 1/4 FLANGE	RACCORD 1/4 X 1/4 BRIDE	ANSCHLUSS 1/4X1/4 FLANSCH
36	52001873	TUB.D-6 L.450 2-3GR UKT 18	TUBE D-6 L.450 2-3GR	TUYAU D-6 L.450 2-3GR	ROHR D-6 L.450 2-3GR



Pos	Cod.	Denominazione - IT -	Denomination - GB -	Denomination - FR -	Denomination - DE -
37	52001872	TUB.D-10 L.245 2-3GR UKT 17	TUBE D-10 L.245 2-3GR	TUYAU D-10 L.245 2-3GR	ROHR D-10 L.245 2-3GR
38	53240	SUPPORTO TERMORISERVA CROMATO	BULK UNIT SUPPORT	SUPPORT THERMO RESERVE	BRUHGRUPPEHALTER
39	53260	RACCORDO USCITA TERMORISERVA CROMATO	WAY OUT CONNECTOR BULK UNIT	RACCORD SORTIE THERMO RESERVE	AUSGANGFITTING BRUHGRUPPE
40	25397	DADO 3/4 X RUBINETTO TR CROMATO	NUT 3/4 FOR BULK UNIT TAP	ECROU 3/4 ROBINET THERMO RESERVE	MUTTER 3/4 FUR BRUHGRUPPEHAHN
41	12006	GUARNIZIONE KLINGERSIL 1/4 GAS	1/4 GAS GASKET KLINGERSIL4400	JOINT DE 1/4 GAZ KLINGERSIL4400	1/4 GASDICHTUNG KLINGERSIL4400
42	12213	GUARNIZIONE GOMMA X RUBINETTO	RUBBER GASKET FOR BULK UNIT VALVE	JOINT DE ROBINET THERMO RESERVE	DICHTUNG FUR BRUHGRUPPEHAHN
43	20225	RUBINETTO TERMORISERVA	TAP FOR BULK UNIT	ROBINET POUR THERMO RESERVE	HAHN FUR BRUHGRUPPE
44	53060	CORPO RUBINETTO T.RISERVA CROMATO	BULK UNIT VALVE BODY	CORPS DE ROBINET THERMO RESERVE	HAHNKORPER BRUHGRUPPE - CROHM
45	56101	ASSIEME RUBINETTO TERMORISERVA CROMATO	TAP SET FOR BULK UNIT	ENSEMBLE ROBINET THERMO RESERVE	ROHRSATZ FUR BRUHGRUPPE
46	23050	DADO OTTONE M3 UNI 5587	BRASS NUT M3 UNI 5587	ECROU LAITON M3 UNI 5587	MESSING-MUTTER M3 UNI 5587
47	12203	GUARNIZIONE HNBR 15X4X4 DUREZZA 90SH	RUBBER GASKET 15X4X4	JOINT EN CAOUTCHOUC 15X4X4	GUMMIDICHTUNG 15X4X4
48	25616	PISTONCINO RUBINETTO	TAP JUMPER	PISTON ROBINET	HAHNKOLBEN
49	10001	ANELLO ARRESTO D6 INOX 316 DIN 6799	STEEL CIRCLIP 316 DIN 6799	CIRCLIP INOX 316 DIN 6799	STAHLHALTENRING 316 DIN 6799
50	25461	GHIERA RUBINETTO	TAP RING NUT	EMBOUT ROBINET	HAHNZWINGE
51	25310	ASTA RUBINETTO T.RISERVA CROMATA	CHROMED VALVE SPINDLE FOR BULK UNIT	TIGE ROBINET CRHOME THERMO RESERVE	CHROM HAHNSTANGE FUR BRUHGRUPPE
52	12158	GUARNIZIONE CU RUB.26X20.5X2	26X20.5X2 COPPER SEAL	JOINT CUIVRE 3/8 22X17X1.5	KUPFERDICHTUNG 3/8 22X17X1.5
53	25678001	RACCORDO RUBINETTO	TAP FITTING	RACCORD ROBINET	HAHNANSCHLUSSTUCK
54	12204	GUARNIZIONE GOMMA RUBINETTO H20/VAP	W/S TAP RUBBER GASKET 12.5X7.5X9	JOINT CAOUTCHOUC ROB. EAU/VAP	HAHNDICHTUNG W/D 12.5X7.5X9
55	25655	RONDELLA RUBINETTO	TAP WASHER	RONDELLE ROBINET	HAHNSCHEIBE
56	10452	MOLLA RUBINETTO H20/VAPORE N4	WATER/STEAM TAP SPRING N4	RESSORT DE ROBINET EAU-VAPEUR N4	WASSER/DAMPF HAHNFEDER N4
57	25385	DADO PREMISTOPPA RUBINETTO	TAP STUFFING NUT	ECROU DE PRESSE-ETOUPE ROBINET	STOPFBUCHSE MUTTER - HAHN
58	15250	MANOPOLA RUBINETTO H20	BULK UNIT WATER KNOB	POIGNEE ROBINET EAU	WASSERHAHN Griff
58	15251	MANOPOLA RUBINETTO VAPORE	BULK UNIT STEAM KNOB	POIGNEE ROBINET VAPEUR	DAMPFHAHN Griff
59	56067	GRUPPO TERMORISERVA	BULK UNIT	THERMO RESERVE	BRUHGRUPPE