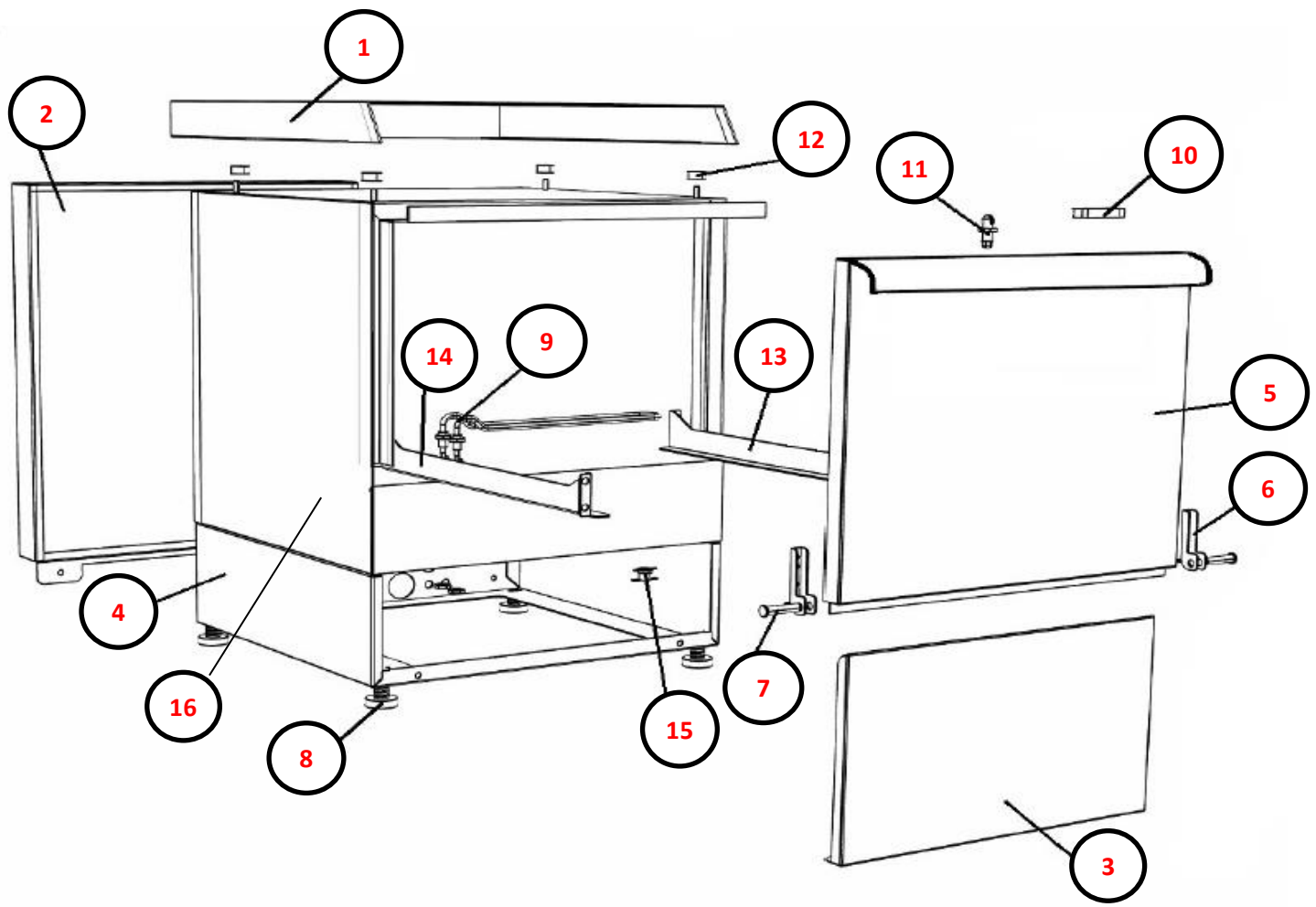


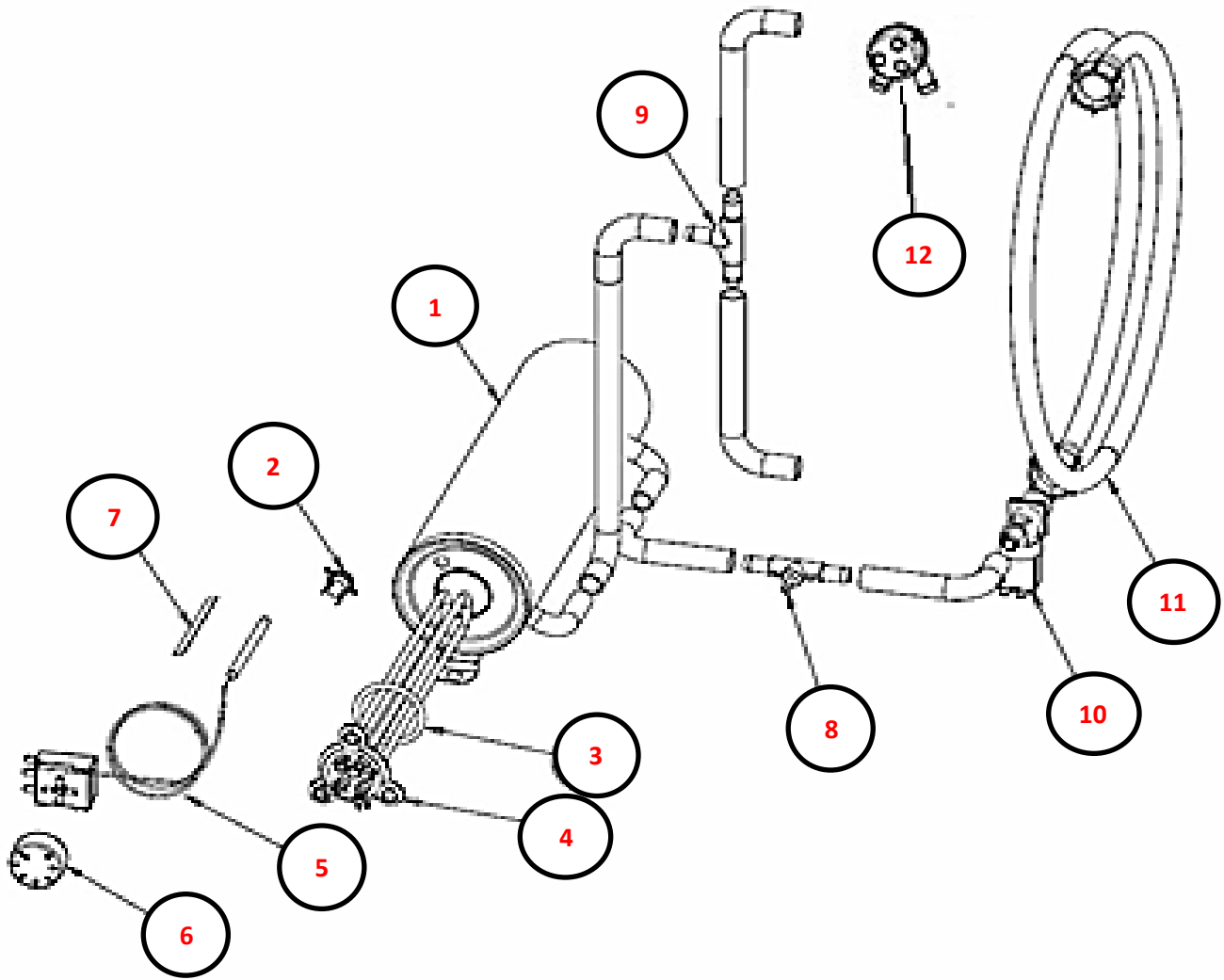
POS	CODE	DESCRIPTION	DESCRIPTION	QTA
1	P1	PANNELLERIA	FRAME	1
2	P2	RISCIACQUO	RINSE	1
3	P3 (3)	LAVAGGIO	WASH	1
4	P4 (2)	GIRANTI	ARMS	1
5	P5	CABLAGGIO	WIRING	1
6	P6	DOSATORE	CHEMICAL PUMP	1



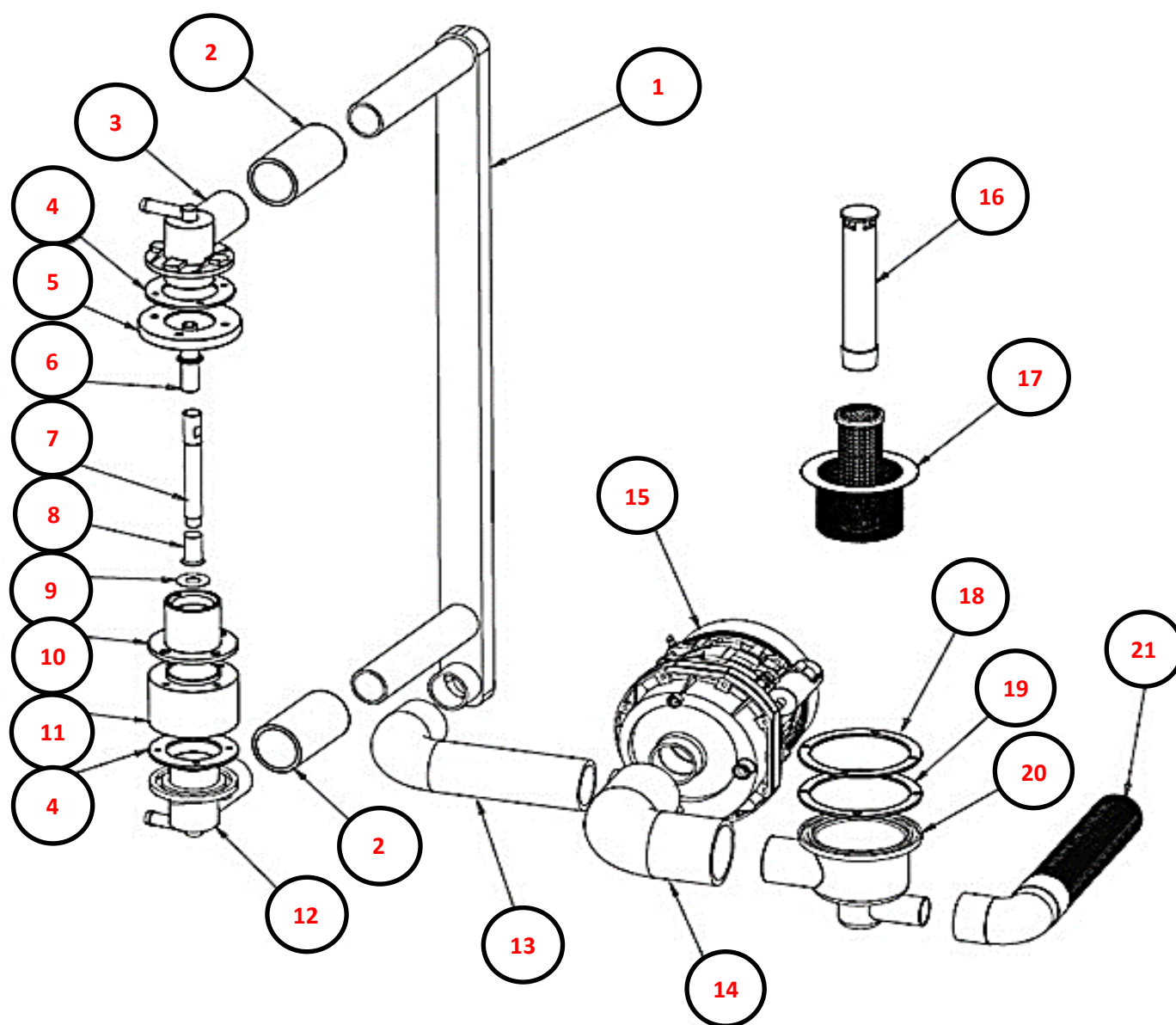
POS	CODE	DESCRIZIONE	DESCRIPTION	NR
1	904719	PANN. SUP. E45	TOP PANEL E45	1
2	901805	PANN. POST E45	BACK PANEL E45	1
3	904509	PANN. INF. E45	LOWER PANEL E45	1
4	900252	BASAMENTO E45	BASEMENT E45	1
5	905372	PORTA E45 CON M.I.	DOOR WITH STAINLESS-STEEL HANDLE E45	1
6	901245	CERNIERA PORTA SERIE S-N-E	DOOR HINGE MODEL S-N-E	2
7	904795	PERNO PORTA	DOOR PIVOT	2
8	905000	PIEDINO LAVAGGIO PVC NEW	FEET, WASH PVC NEW	4
9	905745	RESIST. VASCA 2.5KW 230V	TANK HEATING ELEMENT 2.5KW 230V	1
10	903651	MAGNETE + CUSTODIA FRONTALI	MAGNET + CONTAINER DISHWASHER	1
11	906121	SCROCCHETTO CON ROTELLA + DADO	LATCH WITH WHEEL + NUT	1
12	902132	GHIERA FISSAGGIO PANNELLO SUPERIORE	FASTENING FERRULE, UPPER PANEL	4
13	909956	GUIDA CESTELLO DX E45	BASKET GUIDE RH E45	1
14	909957	GUIDA CESTELLO SX E45	BASKET GUIDE LH E45	1
15	907244	TERMOSTATO VASCA 55° PASTIGLIA	TANK THERMOSTAT 55° PADDLE	1
16	901863	VASCA E45	TANK E45	1



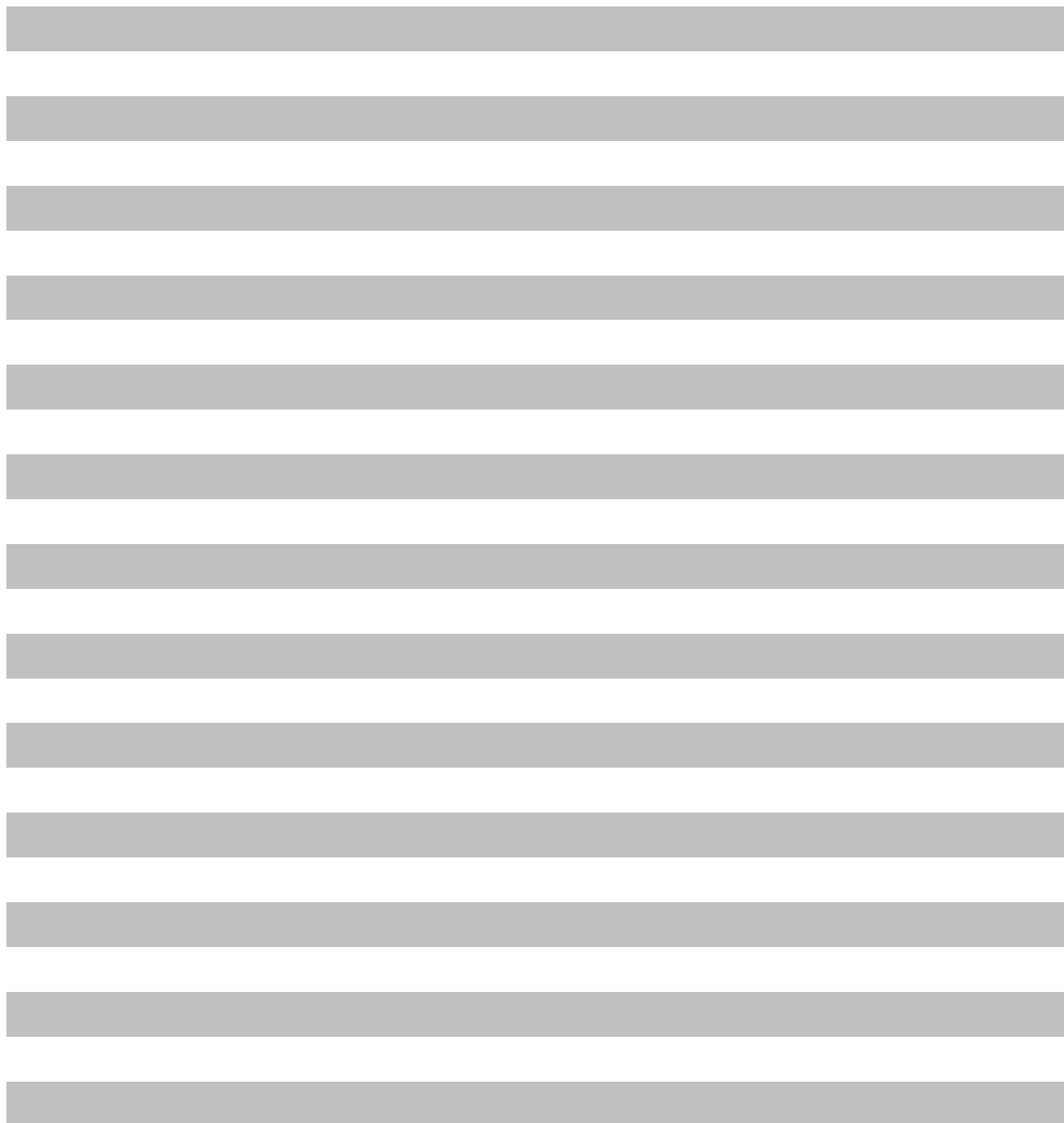
POS	CODE	DESCRIZIONE	DESCRIPTION	NR
1	900384	BOILER 600-700-N45-N50-N90 5LT.	BOILER 600-700-N45-N50-N90 5LT.	1
2	907297	TERMOSTATO SICUR. 110° PASTIGLIA	SAFETY THERMOSTAT 110° PADDLE	1
3	907981	OR RES. 2.6/4.5/6/8 KW	OR HEATING ELEMENT 2.6/4.5/6/8 KW	1
4	905569	RESIST. BOILER 3.5KW 230V +OR	BOILER HEATING ELEMENT 3.5KW 230V +OR	1
5	TR0440	TERMOSTATO BOILER 0/90 LAVASTOVIGLIE	THERMOSTAT BOILER 0/90 DISHWASHER	1
6	903982	MANOPOLA TERMOSTATO 0/90°	THERMOSTAT KNOB 0/90°	1
7	904075	LAMELLA OTTONE	BRASS PLATE	1
8	905434	RACC. 3 VIE DOSATORE SU POMPA	THREE-WAY CONNECTION DOSING PUMP	1
9	905382	RACC. 3 VIE RISCIAQUO	THREE-WAY CONNECTION RINSE	1
10	902390	ELETTROV. 1 VIA Ø10	1-WAY SOLENOID VALVE Ø10	1
11	907348	TUBO CARICO 90° 1500MM S 800 HW	WATER LOAD HOSE 90° 1500MM S 800 HW	1
12	908762	VALVOLA ANTIRIFLUSSO 3/4 ESTERNA	EXTERNAL NON-RETURN VALVE 3/4	1

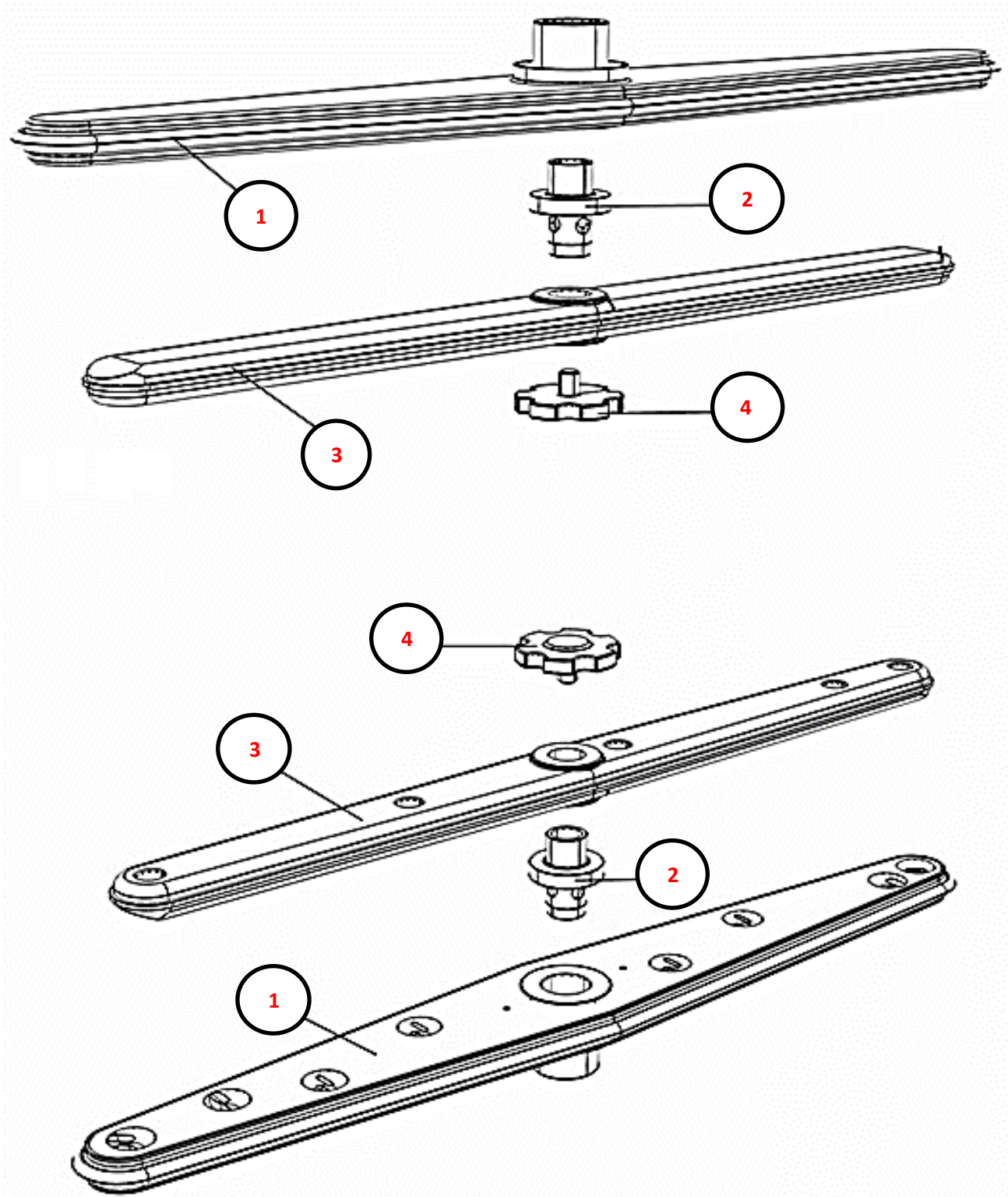


POS	CODE	DESCRIZIONE	DESCRIPTION	NR
1	903743	COLONNA LAVAGGIO E45/N45/N600/N50/N90	WASH COLUMN E45/N45/N600/N50/N90	1
2	903756	TRONCHETTO MAND. N45/N50/N90/N700FH	INLET SOCKET N45/N50/N90/N700FH	1
3	905456	MOZZO LAV. DX	WASH HUB RH	1
4	908141	GUARN. RACC. LAV. N45/N50/N700/N1000	GASKET WASH JUNCTION N45/N50/N700/N1000	2
5	908154	FLANGIA NORYL MOZZO SUP. LAVAPIATTI	FLANGE UPPER HUB - DISHWASHER	1
6	904799	PERNO LAV. SUP. N600/N700/N45/N50	PIVOT UPPER WASH N600/N700/N45/N50	1
7	908705	PERNO LAV. INF. N600/N700/E45/E50	LOWER-WASH-ARM PIVOT N600/N700/E45/E50	1
8	908456	BOCCOLA RIDUZ. PERNO LAV. N45/N700/N1000	REDUCING BUSHING OF WASH PIVOT	1
9	906002	RONDELLA Ø33X15X0.8 ROMPIGETTO	WASHER Ø33X15X0.8 FAUCET AERATOR	1
10	905388	RACC. INF. LAV. E45/E50/N45/N50/N700/N1000	LOWER RINSE CONNECTION E45/E50/N45/N50/N700/N1000	1
11	908702	DISTANZIALE RACC. LAV. N700/N750	WASH CONNECTION SPACER N700/N750	1
12	905449	MOZZO LAV. SX	WASH HUB LH	1
13	909371	MANICOTTO MANDATA N750/E50/E45	INLET SLEEVE N750/E50/E45	1
14	903694	MANICOTTO ASPIRAZ. POMPA LAV. N750/E50	ASPIRATION SLEEVE WASH PUMP N750/E50	1
15	902263	POMPA 0.40KW 230/1/50 N700-N750-E45-E50	PUMP 0.40KW 230/1/50 N700-N750-E45-E50	1
16	900129	TROPPO PIENO N650-N750-E45-E50 PS 2015	OVERFLOW CAP N650-N750-E45-E50 PS 2015	1
17	902399	FILTRO CON CILINDRO PPL H140MM Ø98MM	FILTER WITH PLASTIC BARREL H140MM Ø98MM	1
18	905238	FLANGIA POZZETTO MAGGIORATO ASP./SCAR.	FLANGE ASPIRATION/DRAIN SOAKAWAY	1
19	905378	GUARN. POZZETTO MAGGIORATO	INCREASED PIT GASKET	1
20	905236	POZZ. ASPIRAZ. MAGGIORATO ASP. Ø45	INCREASED SUMP Ø45	1
21	907440	TUBO SCARICO Ø24 1500MM	DRAIN HOSE Ø24 1500MM	1

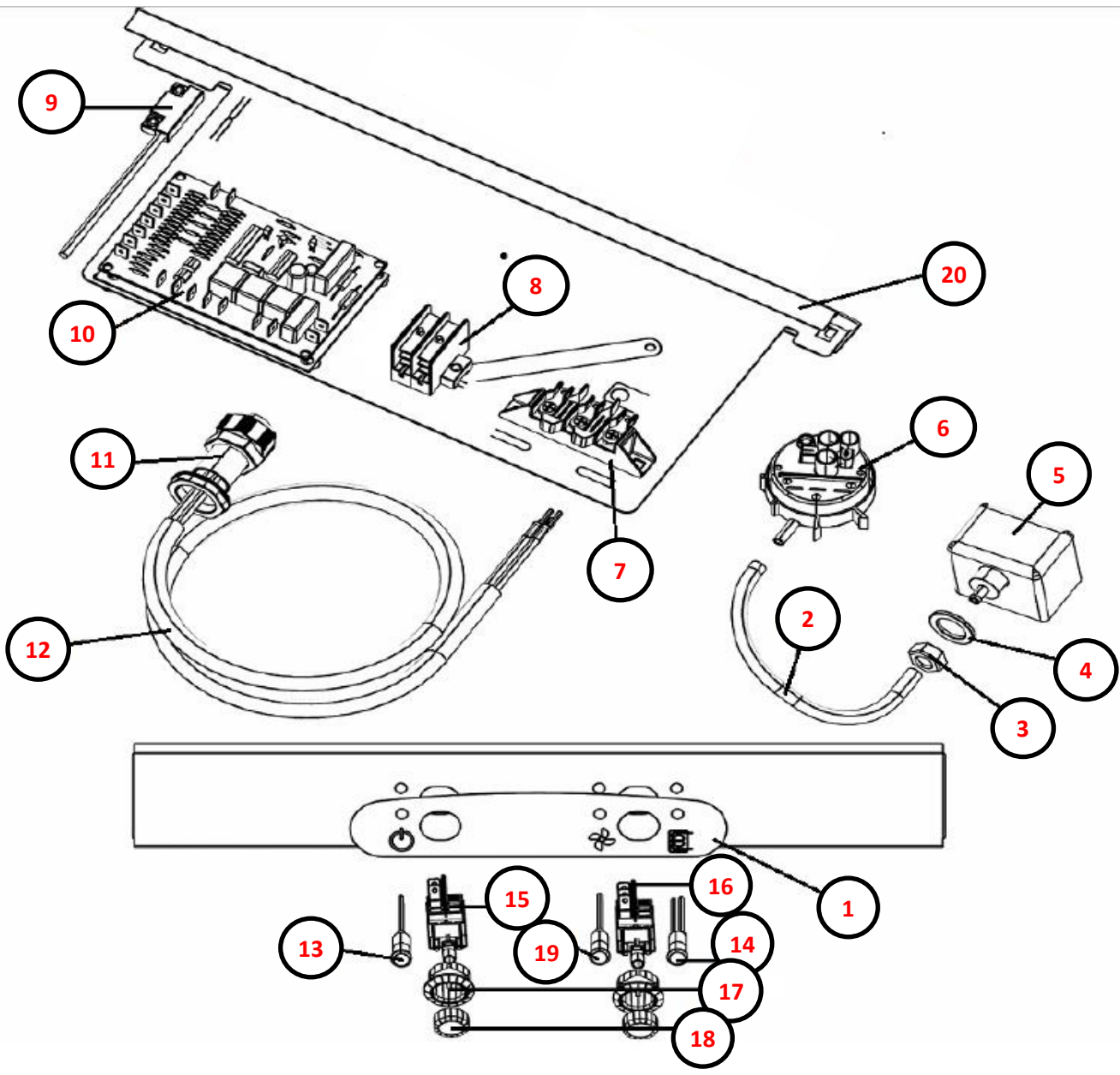


POS	CODE	DESCRIZIONE	DESCRIPTION	NR
1	903106	GIRANTE LAV.3 CON MOZZO	WASH ARM 3 WITH HUB	2
2	908771	PERNO GIRANTE RISC. PIATTA PPL E INOX	PIVOT FLAT RINSE ARM (POLYPROPYLENE AND STAINLESS STEEL)	2
3	907957	GIRANTE RISC.3 PPL	RINSE ARM 3 PP	2
4	902880	GHIERA FERMO GIRANTI	STOP FERRULE, ARMS	2





POS	CODE	DESCRIZIONE	DESCRIPTION	NR
1	909770	TARGA SERIE E PRIMA 2012	PLATE SERIE E FIRST 2012	1
2	907279	TUBO SILICONE 4X7	SILICONE HOSE 4X7	1
3	902038	DADO M12 PPL	NUT M12 PPL	4
4	903260	GUARN. 3/8" TR. ARIA	GASKET 3/8", AIR TRAP	1
5	905262	TRAPPOLA ARIA 90MM GRIGIO CHIARO	AIR TRAP 90MM LIGHT GREY	1
6	905264	PRESSOSTATO 35/17	PRESSURE SWITCH 35/17	1
7	904150	MORSETTIERA 6 POLI N600-N700-E45-E50	TERMINAL BOX 6 POLES N600-N700-E45-E50	1
8	904167	MORSETTO QUADRIPOLE CON SPALLA	4-POLE CLAMP WITH BRACKET	1
9	909290	REED MAGNETICO LAVASTOVIGLIE	MAGNETIC REED WAREWASHER	1
10	907180	TIMER 180"	TIMER 180"	1
11	902683	PRESSACAVO PG16	CABLE GLAD PG16	1
12	908130	CAVO ALIMENTAZ. 3X2.5X3000 SPINA SCUKO	POWER-SOURCE CABLE 3X2.5X3000 SHUKO PLUG	1
13	903688	LAMP. SPIA Ø 6 VERDE+CAVI	GREEN WARNING LIGHT Ø 6 + CABLES	2
14	903686	LAMP. SPIA Ø 6 ARANCIO+CAVI CICLO_DEP.	ORANGE WARNING LIGHT Ø 6 +CABLES	2
15	905314	INTERRUTTORE/DEVIATORE 6 FASTON INCLIN.	SWITCH/DIVERTER 6 INCLINED FASTONS	1
16	905312	PULS. 2 FASTON INCLINATO	2-INCLINED-FASTON BUTTON	1
17	909036	SUPP. PULS. OVALE FLK	OVAL BUTTON SUPPORT	2
18	909362	TASTO OVALE NERO OPACO	MATT-BLACK OVAL BUTTON	2
19	903644	LAMP. SPIA Ø 6 ARANCIO+CAVI BOILER_RF	ORANGE WARNING LIGHT Ø 6 +BOILER CABLES_RF	1
20	906693	RETROT. E45 TIMER MECCANICO COMPLETO	BACKPLATE E45 MECHANICAL TIMER COMPLETE	1



POS	CODE	DESCRIZIONE	DESCRIPTION	NR
1	902201	DOSATORE BRILL. IDRAULICO SEKO	HYDRAULIC RINSE PRODUCT DOSING UNIT SEKO	1
2	903249	SUPP. TERMOSTATO TG - DOSATORE BRILL. SEKO	THERMOSTAT TG - RINSE-PRODUCT PUMP SUPPORT	1
3	907279	TUBO SILICONE 4X7	SILICONE HOSE 4X7	1
4	902046	TUBO CRYSTAL TRASP. 4X7	TRASPARENT HOSE 4X7	1
5	906620	PESO TUBETTO DET./BRILL.	WEIGHT RINSE PRODUCT/ETERGENT HOSE	1
6	902569	FILTRO DOSATORE	DOSING UNIT FILTER	1

