

CONTI

— E S P R E S S O M A C H I N E —

X ALL BLACK

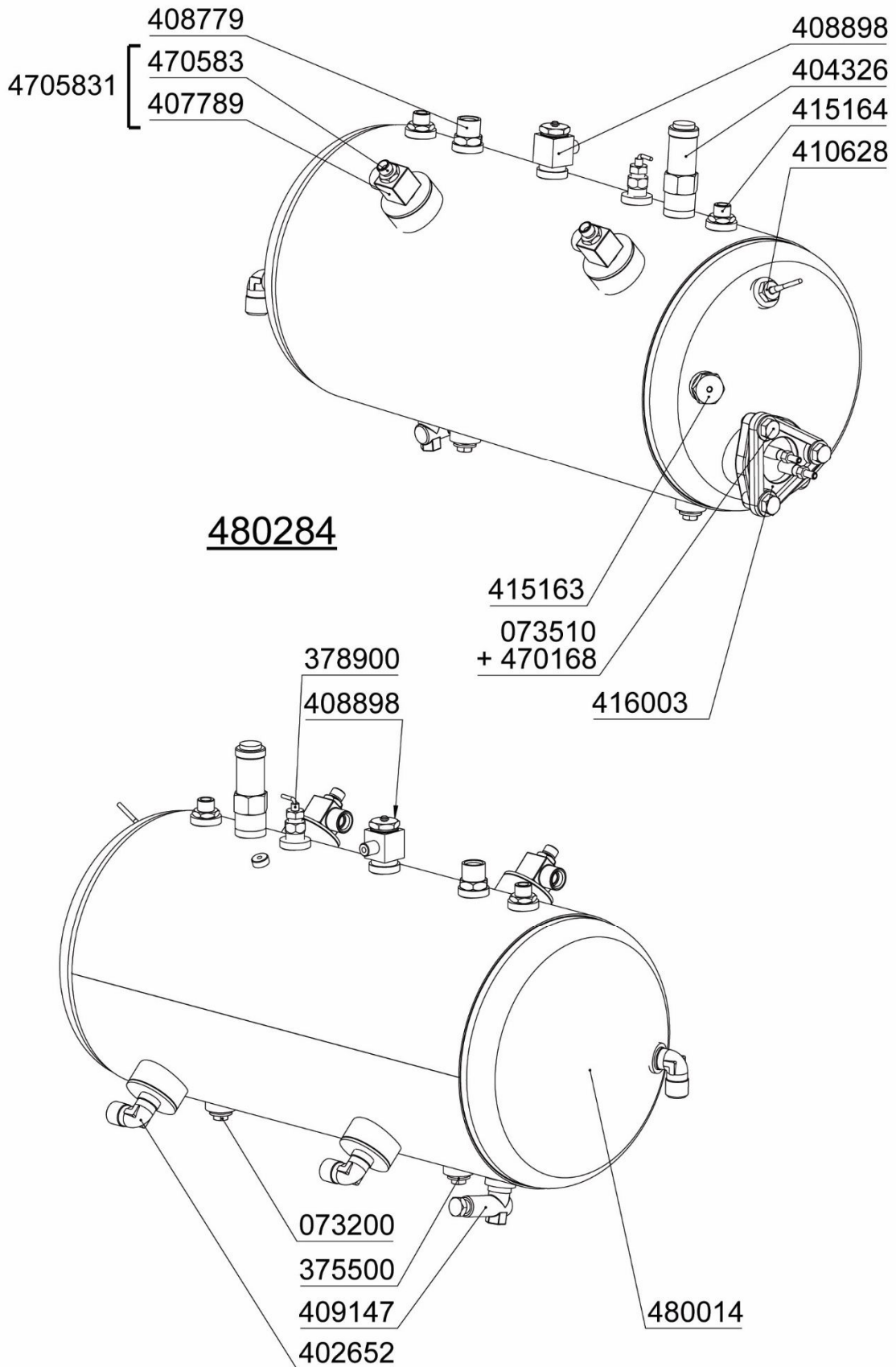


PIECES DETACHEES SPARE PARTS

CONTI - Edition 03/2020

<u>DESIGNATION</u>	<u>PAGE</u>
1. CHAUDIÈRE ÉQUIPÉE / BOILER ASSEMBLY _____	2
2. GROUPE I.D. / D.I. UNIT _____	6
3. PORTE FILTRE / FILTER HOLDER _____	9
4. ROBINET DE PUISAGE A LEVIER / TAP HANDLE _____	10
5. BLOC ROBINET / TAP ASSY _____	12
6. ENTREE D'EAU AUTO / WATER INLET CONTROL _____	13
7. MOTO-POMPE / MOTOR PUMP _____	14
8. BLOC VIDANGE / DRAINING PIECE _____	15
9. BLOC VIDANGE / DRAINING PIECE _____	16
10. SORTIE VAPEUR - EAU CHAUDE / STEAM - HOT WATER OUTLET _____	17
11. ROBINET DE PUISAGE ELECTRIQUE / ELECTRIC TAP _____	18
12. MANOMÈTRE / MANOMETER _____	19
13. TURBINE EQUIPEE / TURBINE _____	19
14. TUYAUTERIE X-ONE TCI / PIPEWORK X-ONE TCI _____	20
15. MITIGEUR X-ONE TCI / MIXER X-ONE TCI _____	22
16. FAISCEAUX / WIRE _____	23
17. CABLE _____	24
18. ELECTRICITÉ / ELECTRICITY _____	25
19. CARROSSERIE X-ONE TCI / MAIN FRAME X-ONE TCI _____	27
20. CARROSSERIE / MAIN FRAME (SUITE) _____	28
21. JOUE EQUIPÉE X-ONE TCI / EQUIPPED SIDE PANEL X-ONE TCI _____	29
22. TABLEAU COMMANDE X-ONE / X-ONE CONTROL PANEL _____	30
23. CARROSSERIE COULEUR / COLOR MAIN FRAME _____	32
24. OPTION TALL CUP _____	33
25. OPTION STEAM CONTROL _____	34
26. ACCESSOIRES / ACCESSORIES _____	39
27. OPTION _____	39
28. OPTION CAPPU _____	40
29. PIÈCES DÉTACHÉES POUR L'ENTRETIEN / SPARE PARTS FOR MAINTENANCE _____	40

1. CHAUDIÈRE ÉQUIPÉE / BOILER ASSEMBLY



480284 CHAUDIERE EQUIPEE 2G

073200	VIS TH 6X10 AC ZN
073510	VIS TH 8X25 INOX
375500	RONDELLE Z6 INOX
401024	VIS TH 4X6
402652	COUDE 3/8
404326	SOUPAPE SECURITE 1,8 BARS - 3/8
4077091	JOINT PTFE 51,8X38,5X2,5
407789	TE 2X3/8M - 1/4F
408779	PLONGEUR EAU CHAUDE
408898	DEPRESSEUR
408999	COUDE 3/8M - 1/8M - 1/4F
409147	PURGEUR
410628	SONDE DE TEMPERATURE
410993	BOUCHON 3/8" POUR KLIXON
415163	BOUCHON 3/8
415164	RACCORD 3/8M NIPPLE TUBE 8/6
416003	THERMOPL. 4200W 230/400V L325
470087	THERMOPL. 6000W 230/400V L500
470168	RONDELLE M8 ACIER Z
470583	TUBE INJECTEUR COURT
480014	CHAUDIERE SOUDEE 2G
376900	SONDE ALIM. AUTO. L90
410634	THERMOSTAT SEC.160° (KLIXON)

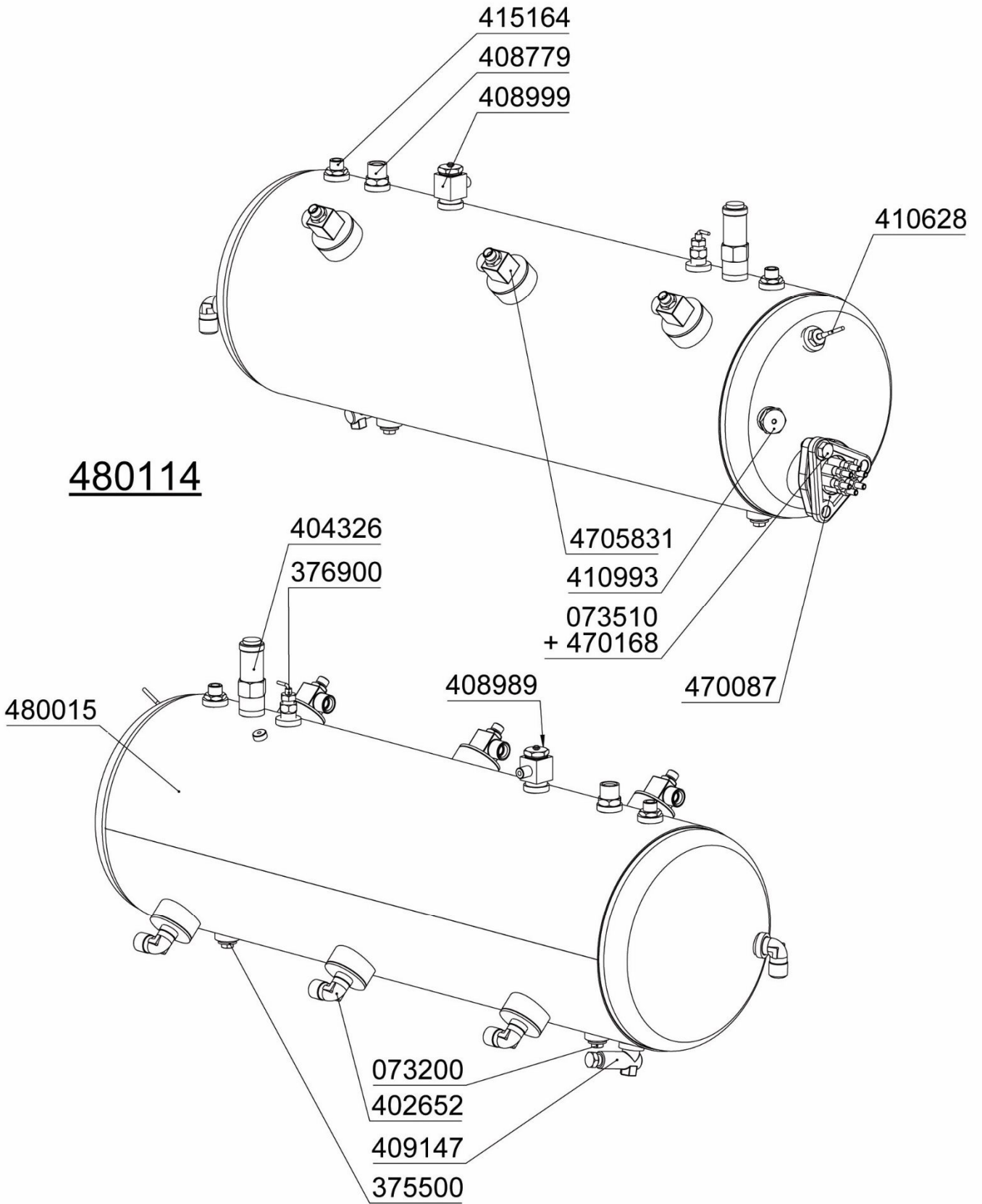
BOILER ASSEMBLY 2G

SCREW 6X10
SCREW 8X25
WASHER Z6
SCREW 4X6
ANGLE JOINT 3/8
SAFETY VALVE 1,8 BARS - 3/8
PTFE GASKET 51,8X38,5X2,5
ANGLE JOINT 2X3/8M-1/4F
HOT WATER PLUNGE
RELIEF VALVE
ANGLE JOINT 3/8M - 1/8M - 1/4F
DRAIN VALVE
TEMPERATURE SENSOR
PLUG 3/8" FOR KLIXON
PLUG 3/8
FITTING 3/8M NIPPLE PIPE 8/6
HEATING ELEMENT 4200W.230-400V L325
HEATING ELEMENT 6000W.230-400V L500
WASHER M8
SHORT INJECTOR PIPE
WELDED BOILER 2G
AUTOMATIC LEVEL SENSOR L90
SAFETY THERMOSTAT 160°(KLIXON)

Option monophasé :

<u>480113 CHAUDIERE EQUIPEE 2G</u>
416006 THERMOPL. 3500W 230VAC L350

<u>BOILER ASSEMBLY 2G</u>
HEATING ELEMENT 3500W.230VAC L350



480114 CHAUDIERE EQUIPEE 3G

073200 VIS TH 6X10 AC ZN
073510 VIS TH 8X25 INOX
375500 RONDELLE Z6 INOX
401024 VIS TH 4X6
402652 COUDE 3/8
404326 SOUPAPE SECURITE 1,8 BARS - 3/8
4077091 JOINT PTFE 51,8X38,5X2,5
407789 TE 2X3/8M - 1/4F
408779 PLONGEUR EAU CHAUDE
408898 DEPRESSEUR
408999 COUDE 3/8M - 1/8M - 1/4F
409147 PURGEUR
410628 SONDÉ DE TEMPERATURE
410993 BOUCHON 3/8" POUR KLIXON
415163 BOUCHON 3/8
415164 RACCORD 3/8M NIPPLE TUBE 8/6
470087 THERMOPL. 6000W 230/400V L500
470168 RONDELLE M8 ACIER Z
470583 TUBE INJECTEUR COURT
480015 CHAUDIERE SOUDEE 3G

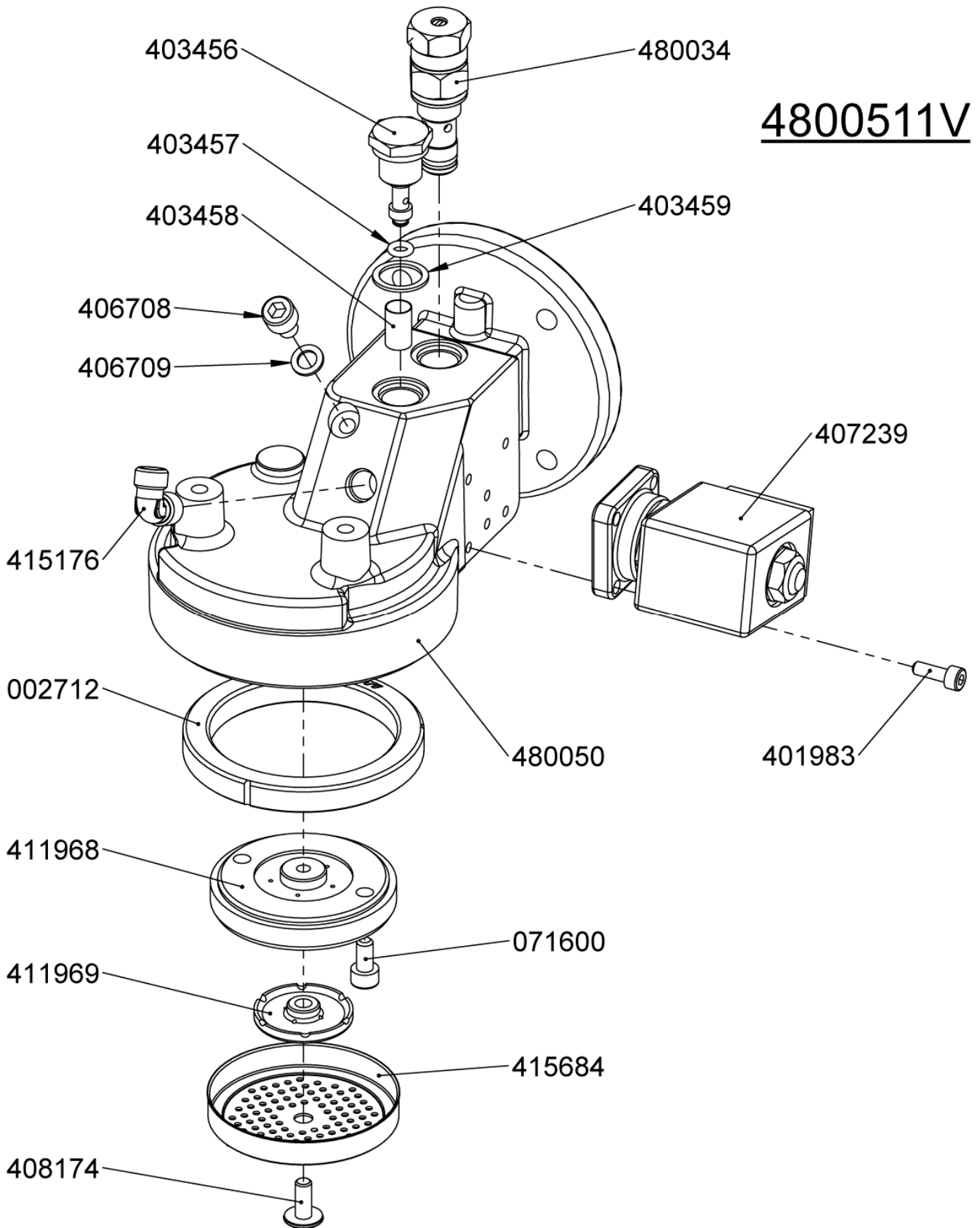
376900 SONDÉ ALIM. AUTO. L90
410634 THERMOSTAT SEC.160° (KLIXON)

BOILER ASSEMBLY 3G

SCREW 6X10
SCREW 8X25
WASHER Z6
SCREW 4X6
ANGLE JOINT 3/8
SAFETY VALVE 1,8 BARS - 3/8
PTFE GASKET 51,8X38,5X2,5
ANGLE JOINT 2X3/8M-1/4F
HOT WATER PLUNGE
RELIEF VALVE
ANGLE JOINT 3/8M - 1/8M - 1/4F
DRAIN VALVE
TEMPERATURE SENSOR
PLUG 3/8" FOR KLIXON
PLUG 3/8
FITTING 3/8M NIPPLE PIPE 8/6
HEATING ELEMENT 6000W.230-400V L500
WASHER M8
SHORT INJECTOR PIPE
WELDED BOILER 3G

AUTOMATIC LEVEL SENSOR L90
SAFETY THERMOSTAT 160°(KLIXON)

2. GROUPE I.D. / D.I. UNIT



4800511V GROUPE I.D Thermo

002712 JOINT DE PORTE-FILTRE
071600 VIS CHC 5X10 INOX
401983 VIS CHC 4X12 INOX
403456 GICLEUR
403457 JOINT TORIQUE 4,2x1,9 (R.3) EPDM70
403458 FILTRE 8X13
403459 JOINT CUIVRE 13,1x17x1 REC.
406708 VIS CHC 6X8 INOX
406709 JOINT CUIVRE 6,2X10X1
407239 EV 3 VOIES 220V 50HZ
408174 VIS RL 5X12 INOX
411968 DIFFUSEUR EV
411969 REPARTITEUR GROUPE EV
415176 COUDE 1/8M TUBE 4/6
415684 DOUCHETTE DE COMPETITION
480034 FREINEUR REGLABLE COMPLET
480050 CORPS DE GROUPE ID EV

073200 VIS TH 6X10 INOX (fixation sur châssis)
407500 JOINT PTFE 9,2X6X1,7 (joint EV)

D.I UNIT

FILTER HOLDER SEAL
SCREW 5X10
SCREW 4X12
SPRAY NOZZLE
O'RING 4,2x1,9
FILTER 8x13
COPPER GASKET 13,1x17x1
SCREW 6X8
COPPER GASKET 6,2X10X1
SOLENOID VALVE 200V 50HZ 3 WAYS
SCREW 5X12
DIFFUSOR (EVOLUTION PART 1)
DIFFUSOR (EVOLUTION PART 2)
ANGLE JOINT 1/8M
SPRINKLER
ADJUSTABLE BRAKING
BODY UNIT

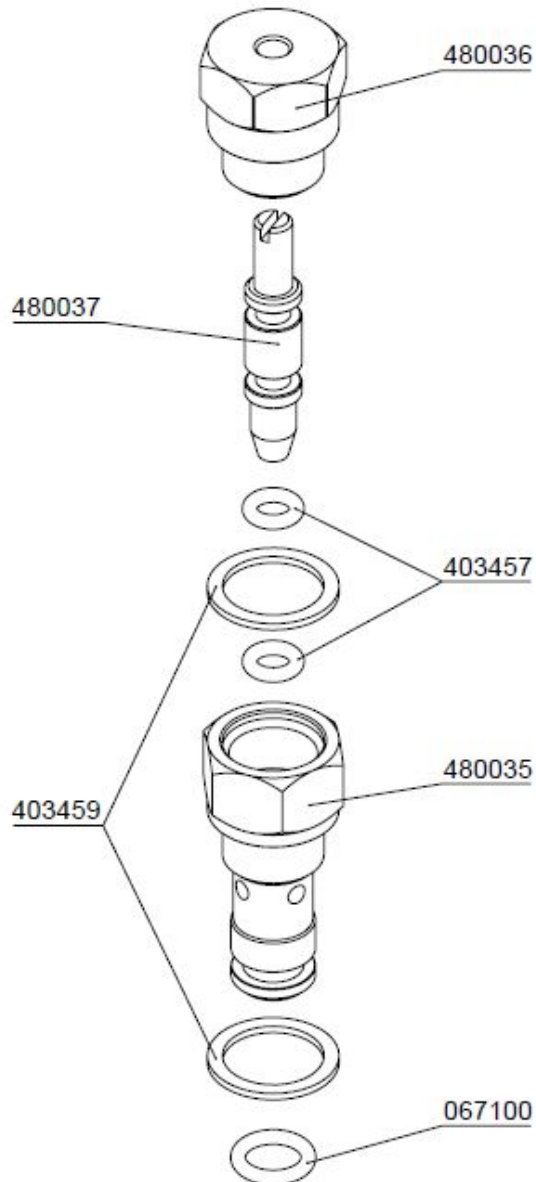
SCREW 6X10 (fixing on chassis)
PTFE GASKET 9,2X6X1,7 (gasket SV)

480034 FREINEUR REGLABLE COMPLET

ADJUSTABLE BRAKING

067100 JOINT TORIQUE 7,2 X 1,9 (R.6) NBR 70
403457 JOINT TORIQUE 4,2X1,9 (R.3) EPDM70
403459 JOINT CUIVRE 13,1X17X1 REC.
480035 CORPS DE FREINEUR
480036 BOUCHON FREINEUR
480037 VIS DE REGLAGE DU FREINEUR

O'RING 7,2X1,9
O'RING 4,2X1,9
COPPER GASKET 13,1X17X1
BRAKING BODY
BRAKING CAP
ADJUSTMENT SCREW BRAKEMAN



3. PORTE FILTRE / FILTER HOLDER

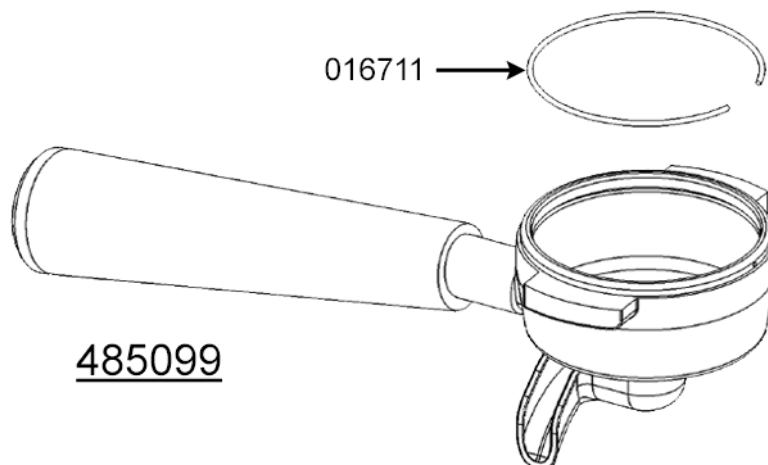
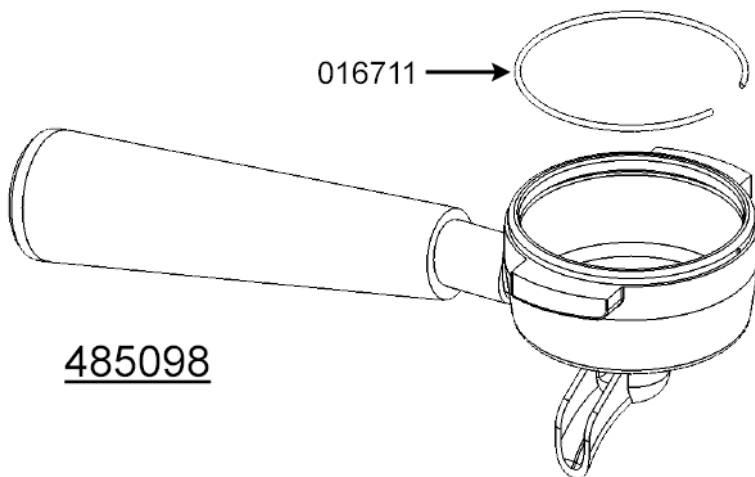
ATTENTION : Les filtres ne sont pas fournis avec nos porte-filtres complets. Les commander séparément.
WARNING : Filters are not supplied with our filter-holders. They have to be ordered separately.

<u>485098</u>	<u>P-F 1 TASSE XBLK COMPLET</u>	<u>XBLK 1 CUP FILTER HOLDER ASSEM.</u>
<u>485099</u>	<u>P-F 2 TASSES XBLK COMPLET</u>	<u>XBLK 2 CUP FILTER HOLDER ASSEM.</u>

016711	CLIPS POUR FILTRE	FILTER CLIPS
--------	-------------------	--------------

016780	FILTRE 2 TASSES HT.22 14g	2 CUP FILTER HT.22 14g
415687	FILTRE EMBOSSÉ 1T	1 CUP EMBOSSED FILTER

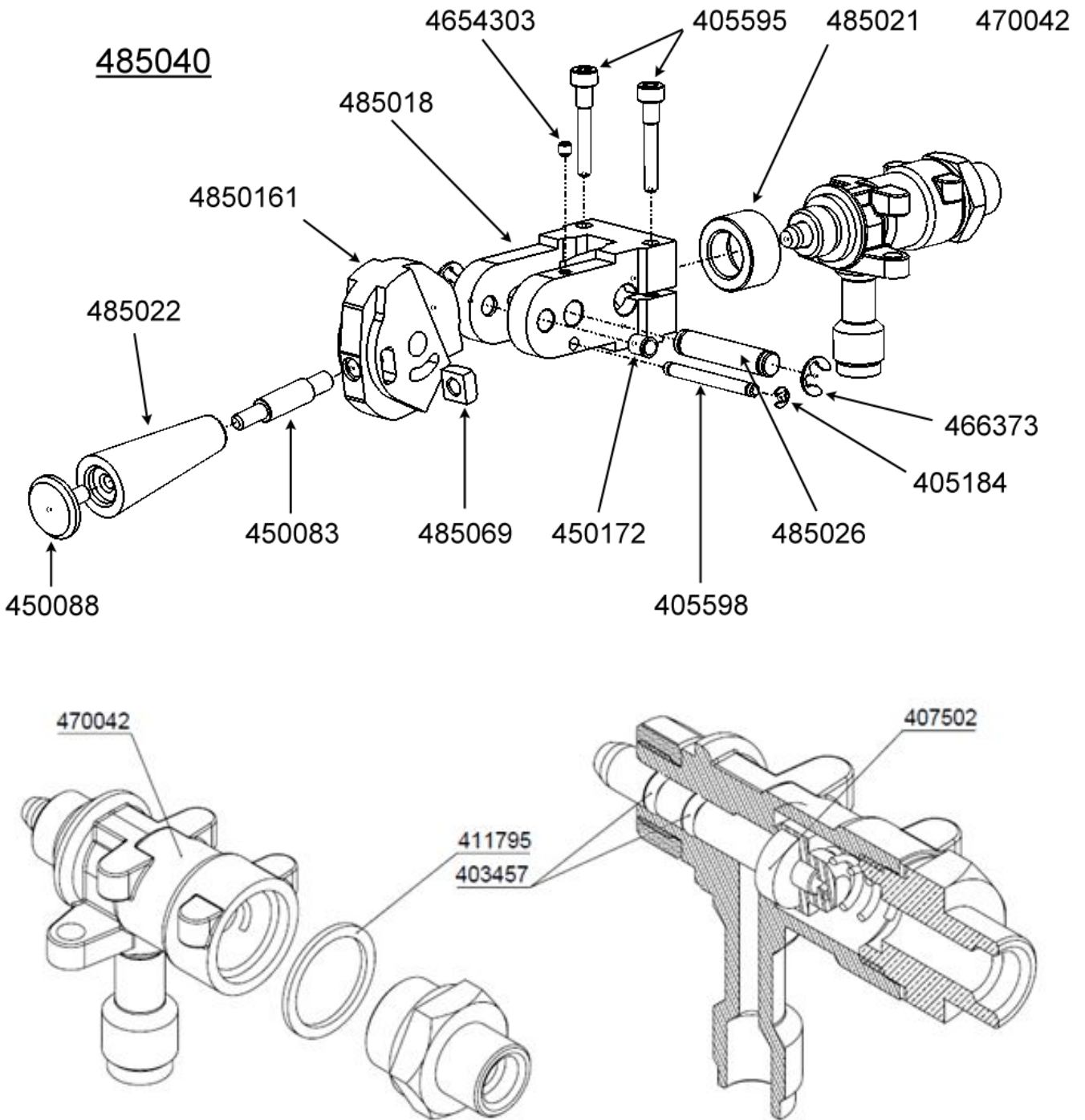
016840 remplacé par 415687 le 27/01/2020 / 016840 replaced for 415687 the 27/01/2020



415687

016780

4. ROBINET DE PUISAGE A LEVIER / TAP HANDLE



485040 ROBINET LEVIER FACE LIFT

405184 CLIPS DE 4
405595 VIS CHC 5X30 INOX
405598 AXE DE SUPPORT GALET
450083 AXE DE LEVIER
450088 ENJOLIVEUR DE LEVIER
450172 POUSSOIR A RESSORT Ø6
461127 ECROU CAGE M6 TOLE 1,7 à 2,5
466373 CIRCLIPS AXE DE 8 Inox
470042 ROBINET STANDARD M16
485018 SUPPORT LEVIER X-ONE ALL BLACK
485021 BAGUE DE LEVIER X-ONE ALL BLACK
485022 POIGNEE LEVIER X-ONE ALL BLACK
485026 AXE DE LEVIER ALL BLACK
4850161 CAME DE LEVIER "PLEINE" ALL BLACK

403457 JOINT TORIQUE 4,2x1,9 (R.3) EPDM70
407502 CLAPET 13x5x4 EPDM80
411795 JOINT CUIVRE 21X26X1,5

FACE LIFT TAP HANDLE

CLIPS Ø4
SCREW 5X30
ROLLER SUPPORT PIN
HANDLE SHAFT
LEVER CAP

CLIPS Ø8
TAP M16

HANDLE SHAFT

O'RING 4,2x1,9
VALVE WASHER 13x5x4
COPPER SEAL 21X26X1,5

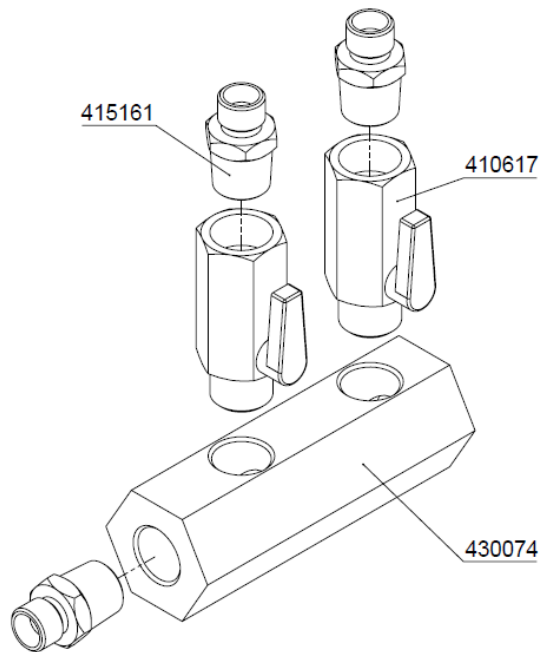
5. BLOC ROBINET / TAP ASSY

480186 **BLOC ROBINET 2G**
480187 **BLOC ROBINET 3G**

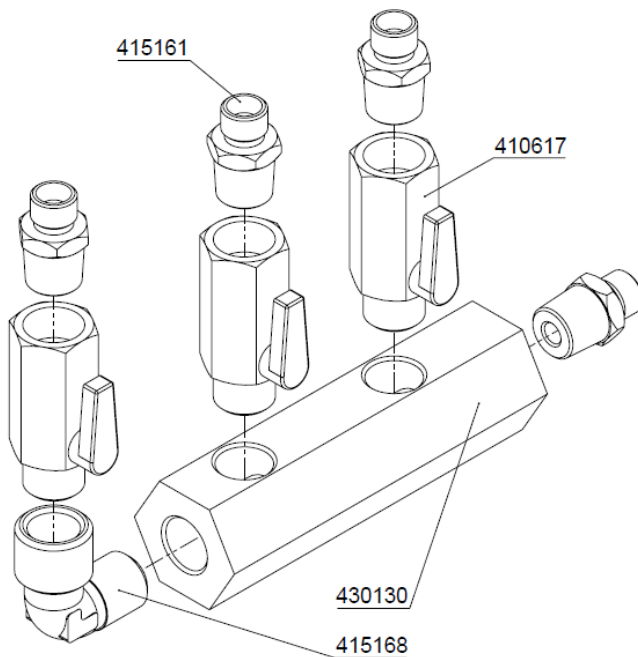
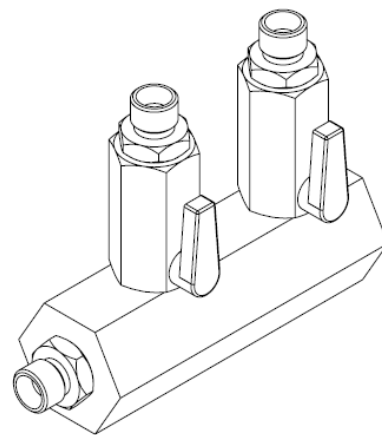
410617 ROBINET M.F.1/4 E.EAU TURBINE
 415161 RACCORD 1/4M NIPPLE TUBE 6/4
 415168 COUDE 1/4M 1/4F
 430074 BLOC ROBINET 2G
 430130 BLOC ROBINET 3G

TAP ASSY 2G
TAP ASSY 3G

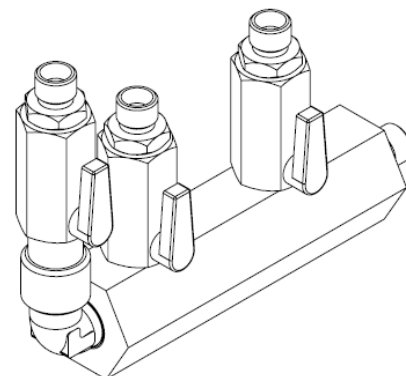
TAP FLOWMETER WATERFEED
 FITTING 1/4M NIPPLE PIPE 6/4
 ANGLE JOINT 1/4M 1/4F
 TAP ASSY 2G
 TAP ASSY 3G



480186



480187



6. ENTREE D'EAU AUTO / WATER INLET CONTROL

480188 BLOC EE INJ2

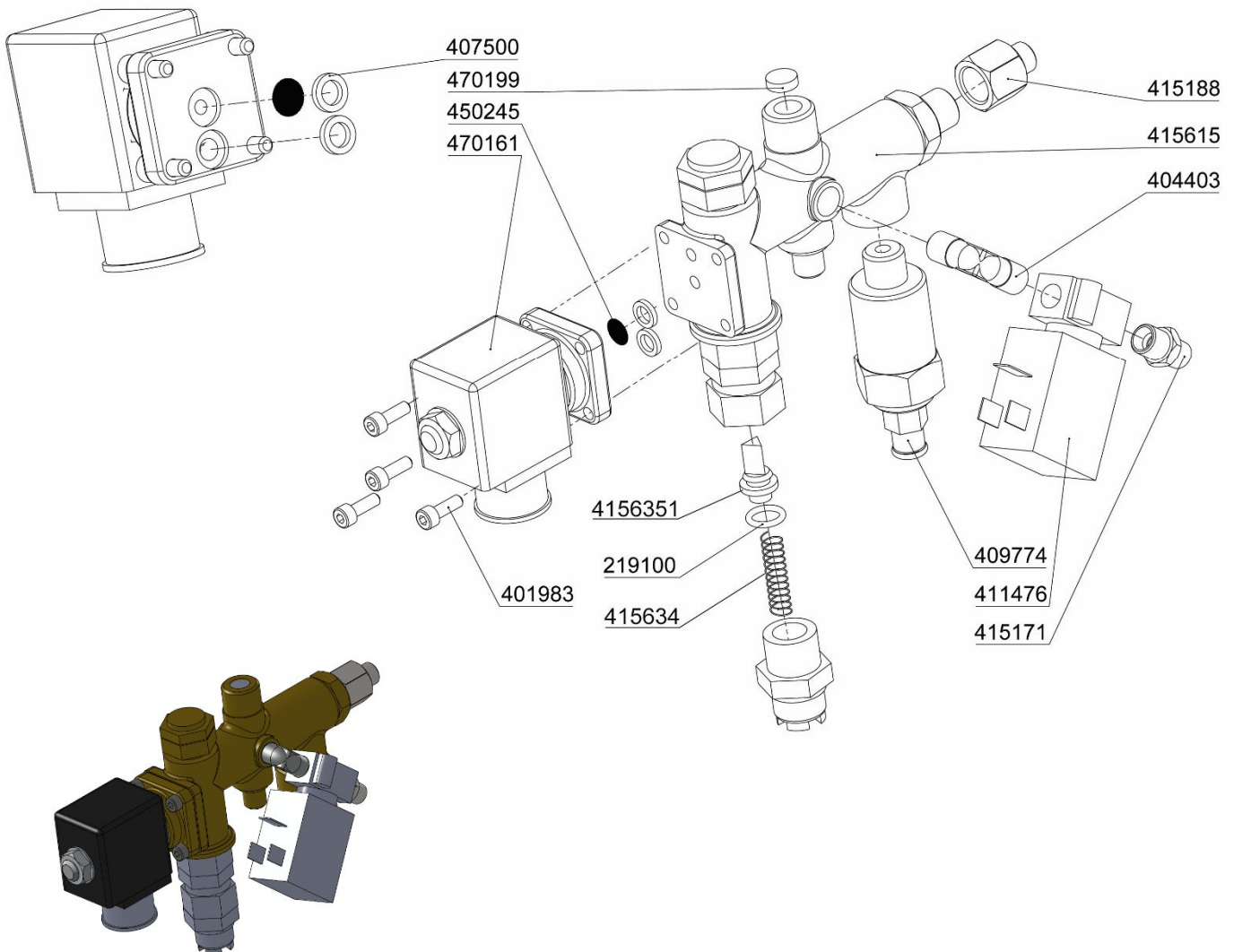
401983 VIS CHC 4X12 INOX
 404403 COUDE 1/8 SO 02400-5 1/8
 411476 EV.2V.220/60 5W UL 1/8
 415171 RACCORD 1/8M 1/8M NIPPLE TUBE
 415188 RACCORD 1/4F TUBE 4/6
 415615 BLOC ENTREE EAU INJECTION 2 VOIES
 450245 FILTRE PROTECTION EV
 470161 EV.2V.230V 50/60 BASE
 470199 FILTRE D'ENTREE EAU

WATER INLET CONTROL

SCREW 4X12
 ANGLE JOINT 1/8 SO 02400-5 1/8
 SOLENOID VALVE 2 WAY 220/60 5W UL 1/8
 FITTING 1/8M 1/8M
 FITTING 1/4M PIPE 4/6
 WATER INLET CONTROL INJECTION 2
 SV PROTECTION FILTER
 SOLENOID VALVE 2 WAY 230V 50/60 BASE
 FILTER WATER INLET

219100 JOINT TORIQUE 8,9X1,9 (R.7) FKM70
 407500 JOINT PTFE 9,2X6X1,7
 409774 LIMITEUR 12 BARS
 415634 RESSORT CAR du BLOC EE
 4156351 CLAPET du BLOC EE

O'RING 8,9X1,9
 O'RING PTFE 9,2X6X1,7
 RELIEF DEVICE 12 BARS
 WATER INLET BLOCK CHECK SPRING
 WATER INLET BLOCK CHECK VALVE



7. MOTOPOMPE / MOTOR PUMP

480401 MOTOPOMPE HORIZ. CPLTE 2G
480404 MOTOPOMPE HORIZ. CPLTE 3G

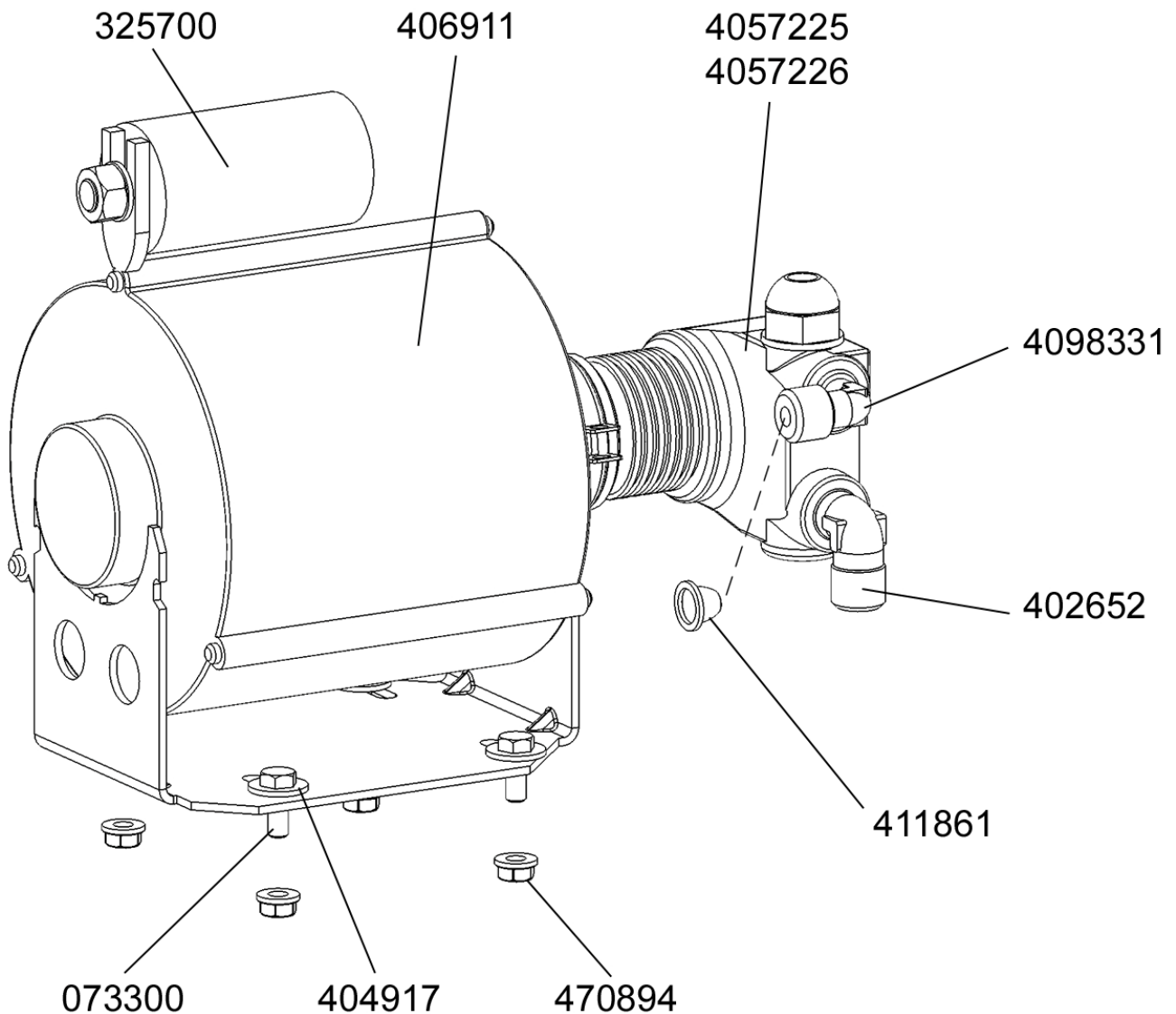
HORIZ. MOTOR PUMP ASSEMBLY 2G
HORIZ. MOTOR PUMP ASSEMBLY 3G

073300 VIS TH 6X16
 325700 CONDENSATEUR 10µF
 402652 COUDE 3/8
 404917 RONDELLE Ø6
 4057225 POMPE B.P.& FILTRE 100L (2G)
 4057226 POMPE B.P.& FILTRE 200L (3G)
 406911 MOTEUR SEUL 220-230V 50/60HZ
 4098331 COUDE 3/8NPTC - 3/8BSP
 470894 ECROU EMBASE M6

SCREW 6X16
 GRINDER CAPACITOR 10µF
 ANGLE JOINT 3/8
 WASHER Ø6
 PUMP B.P.& FILTER 100L (2G)
 PUMP B.P.& FILTER 200L (3G)
 MOTOR UL 220-230V 50/60 HZ
 ANGLE JOINT 3/8NPTC - 3/8BSP
 NUT M6

411861 FILTRE 3/8

FILTER 3/8



8. BLOC VIDANGE / DRAINING PIECE

411775 BLOC VIDANGE COMPLET

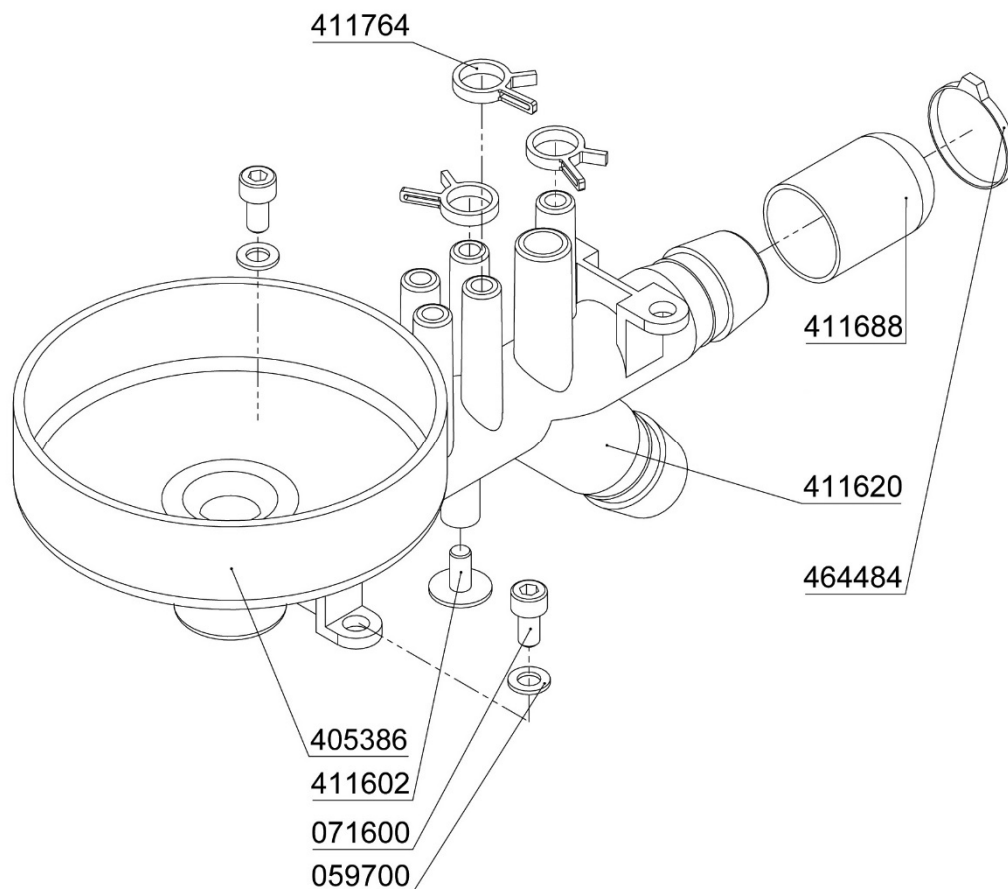
059700 RONDELLE ACIER Z DE 5
 071600 VIS CHC 5X10 INOX A2
 405386 COUPELLE RECUPERATION
 411602 VIS TX 5X10
 411620 COLLECTEUR VIDANGE MIXTE
 411688 EMBOUT BLOC VIDANGE
 411764 COLLIER Ø11,6
 464484 COLLIER 3,6X140

411780 BOUCHON BLOC VIDANGE PM
 411781 BOUCHON BLOC VIDANGE GM

DRAINING PIECE ASSEMBLY 2/3/4G

WASHER Z5
 SCREW 5X10
 DRIP PAN
 SCREW TX 5X10
 DRAIN
 NOZZLE DRAIN BLOCK
 COLLAR Ø11,6
 COLLAR 3,6X140

CAP DRAIN BLOCK (SMALL)
 CAP DRAIN BLOCK (LARGE)



9. BLOC VIDANGE / DRAINING PIECE

480408 **BLOC EVACUATION 2G**
480409 **BLOC EVACUATION 3G**

DRAIN DEVICE 2G
DRAIN DEVICE 3G

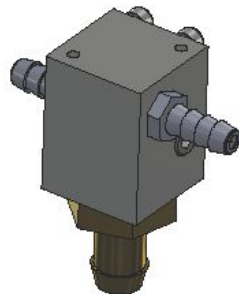
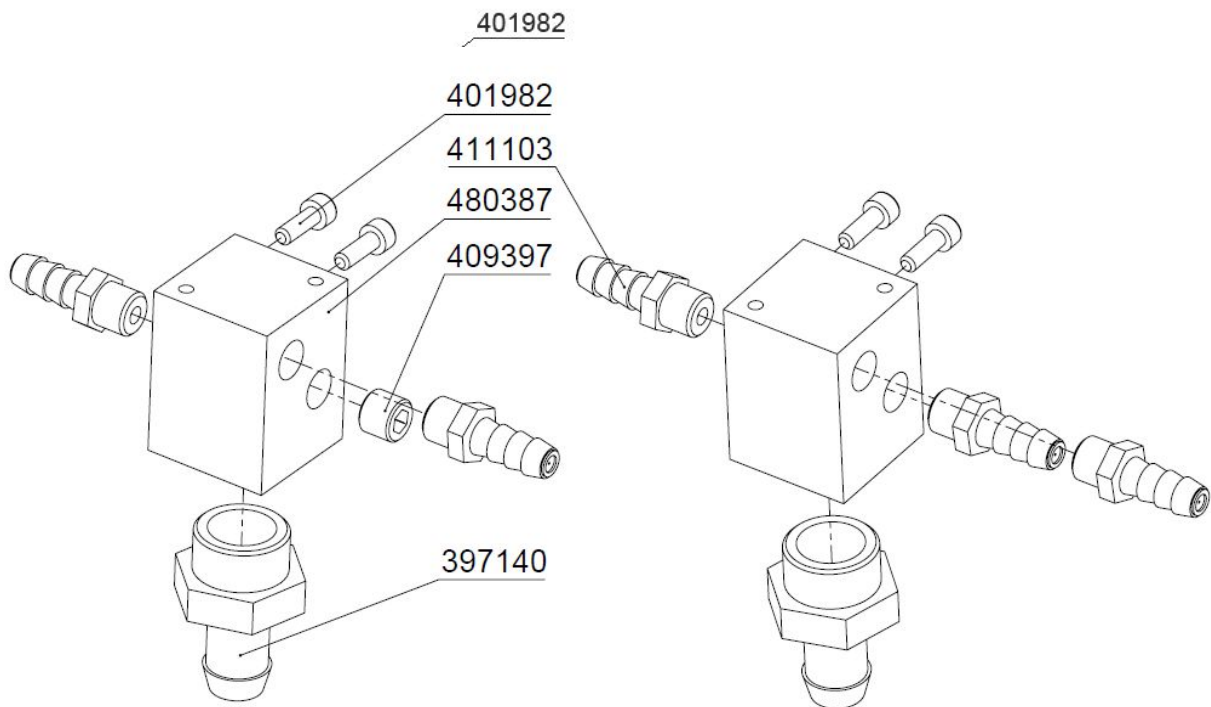
387140 EMBOUT CANNELE 1/2 - 15
 401982
 409397
 411103
 412061
 480387

GROOVED JOINT 1/2 - 15

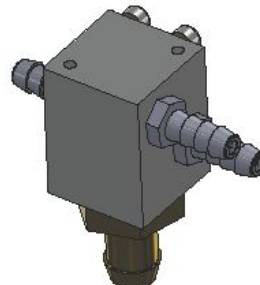
404177

480408

480409



2G



3G

10. SORTIE VAPEUR - EAU CHAUDE / STEAM - HOT WATER OUTLET

410834 SORTIE VAPEUR LONGUE (TCI)

411930 SORTIE EAU CHAUDE

055300 JOINT TORIQUE 12,1X2,7

055500 JOINT TORIQUE 5X1

061200 JOINT TORIQUE 13,6X2,7

401320 RONDELLE D'APPUI

401321 RESSORT ROTULE

410837 EMBOUT VAPEUR

STEAM OUTLET LONG (TCI)

HOT WATER OUTLET

O'RING 12,1X2,7

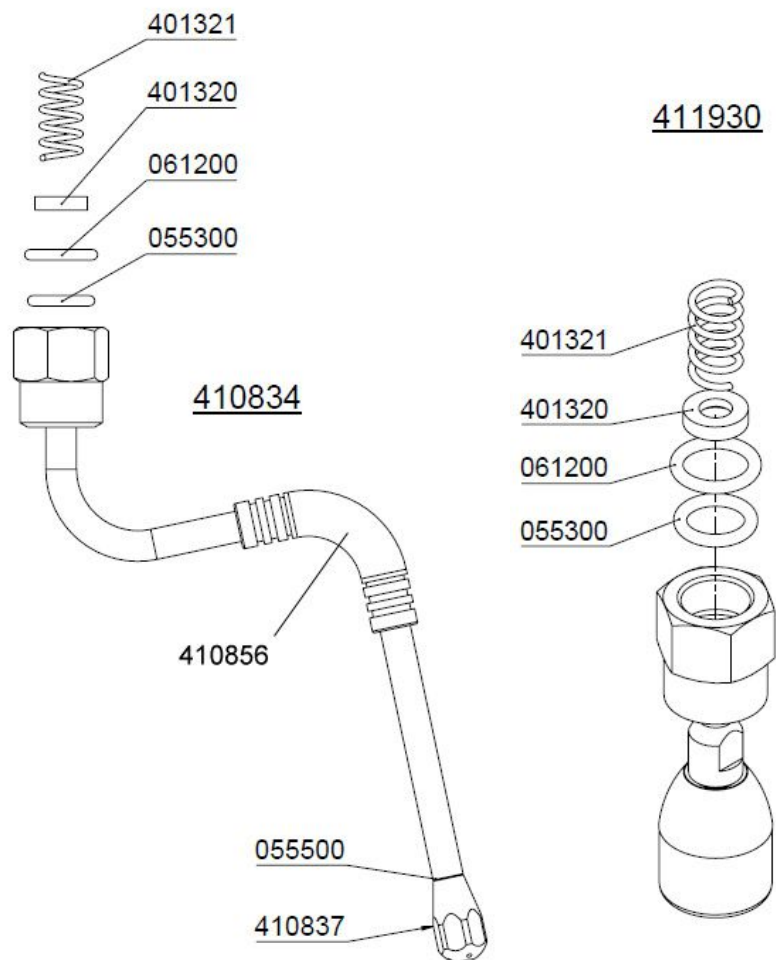
O'RING 5X1

O'RING 13,6X2,7

WASHER

SPRING

STEAM NOZZLE



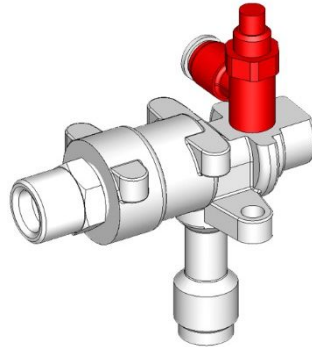
11. ROBINET DE PUISAGE ELECTRIQUE / ELECTRIC TAP

Avant 03/10/2019

4801151V ROBINET ELECTRIQUE EV

Before 03/10/2019

ELECTRIC TAP EV



Après n° matricule 141516 (mitigeur déporté)

480440V ROBINET ELECTRIQUE EV

After serial No. 141516 (position mixer)

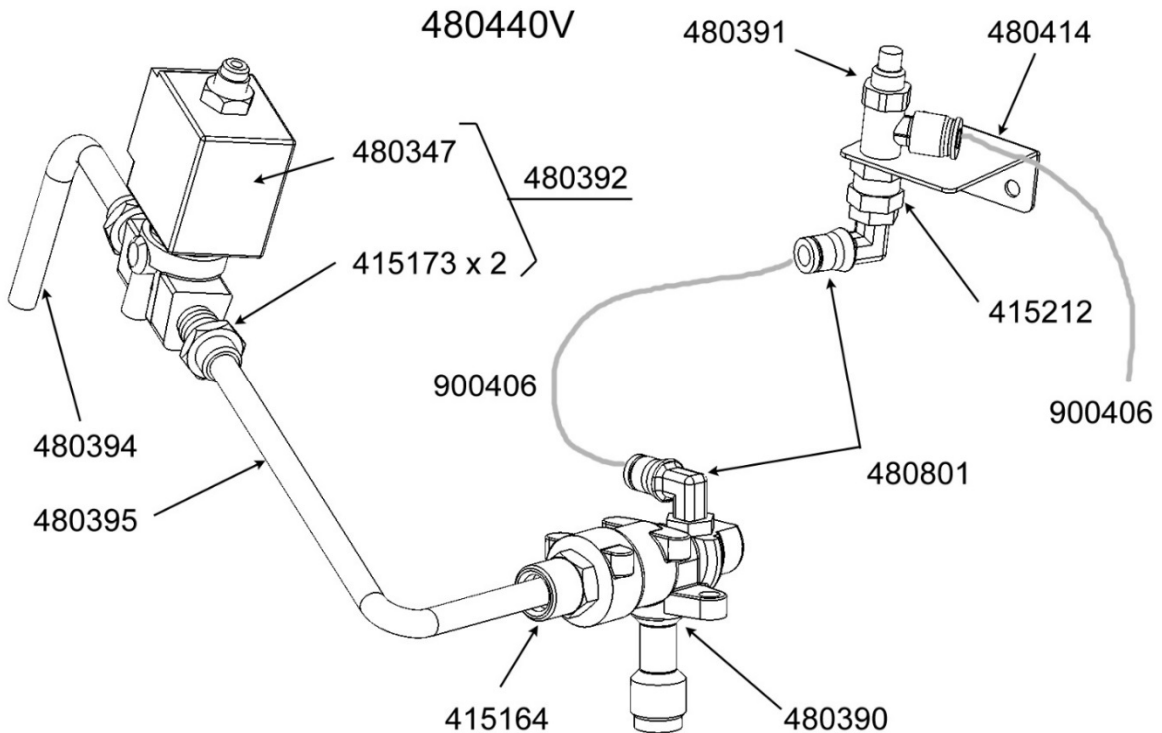
ELECTRIC TAP EV

171300 COUVRE JOINT NOIR
 415164 RACCORD 3/8M NIPPLE TUBE 8/6
 415173 RACCORD 1/4M TUBE 8/6
 415212 MANCHON TARAUDE 1/8
 480347 EV.2V.230V 50/60 HZ
 480390 CORPS ROBINET ELECTRIQUE X-ONE
 480391 MITIGEUR 1/8
 480394 TUBE CHAUDIERE A EV
 480395 TUBE EV A ROBINET
 480414 FIXATION MITIGEUR
 900406 TUBE PTFE 4X6

RUBBER SECTION
 FITTING 3/8M NIPPLE PIPE 8/6
 FITTING 1/4M PIPE 8/6
 THREADED SLEEVE 1/8
 SOLENOID VALVE 230V 50/60Hz 2-WAY
 ELECTRIC TAP BODY
 MIXER 1/8
 BOILER TO SV PIPE
 SV TO TAP PIPE
 MIXER FIXING
 TUBE PTFE 4X6

435049 TUBE EAU FROIDE MITIGEUR 2G
 480199 TUBE EAU FROIDE MITIGEUR 3G

COLD WATER MIXER PIPE 2G
 COLD WATER MIXER PIPE 3G



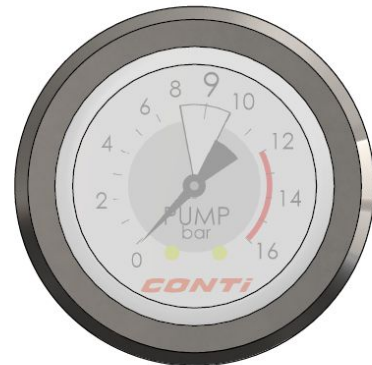
12. MANOMÈTRE / MANOMETER

470080 MANOMETRE 0-3 BARS Ø40
470081 MANOMETRE 0-16 BARS Ø40

MANOMETER 0-3 BARS Ø40
MANOMETER 0-16 BARS Ø40



470080



470081

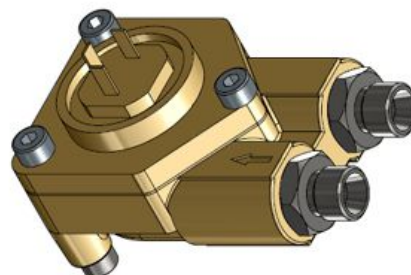
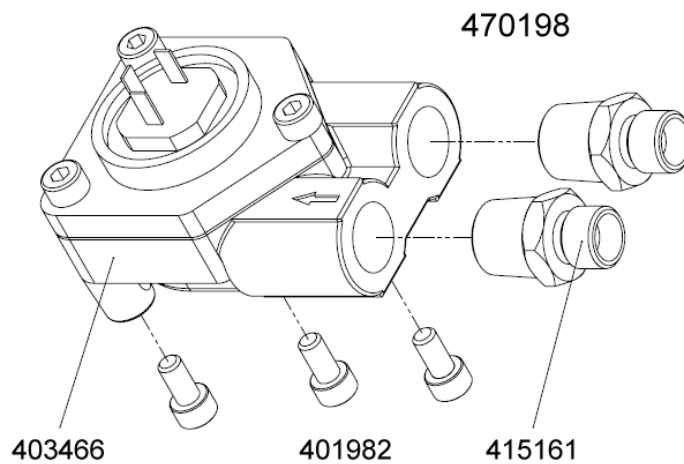
13. TURBINE EQUIPEE / TURBINE

470198 TURBINE EQUIPEE X-ONE

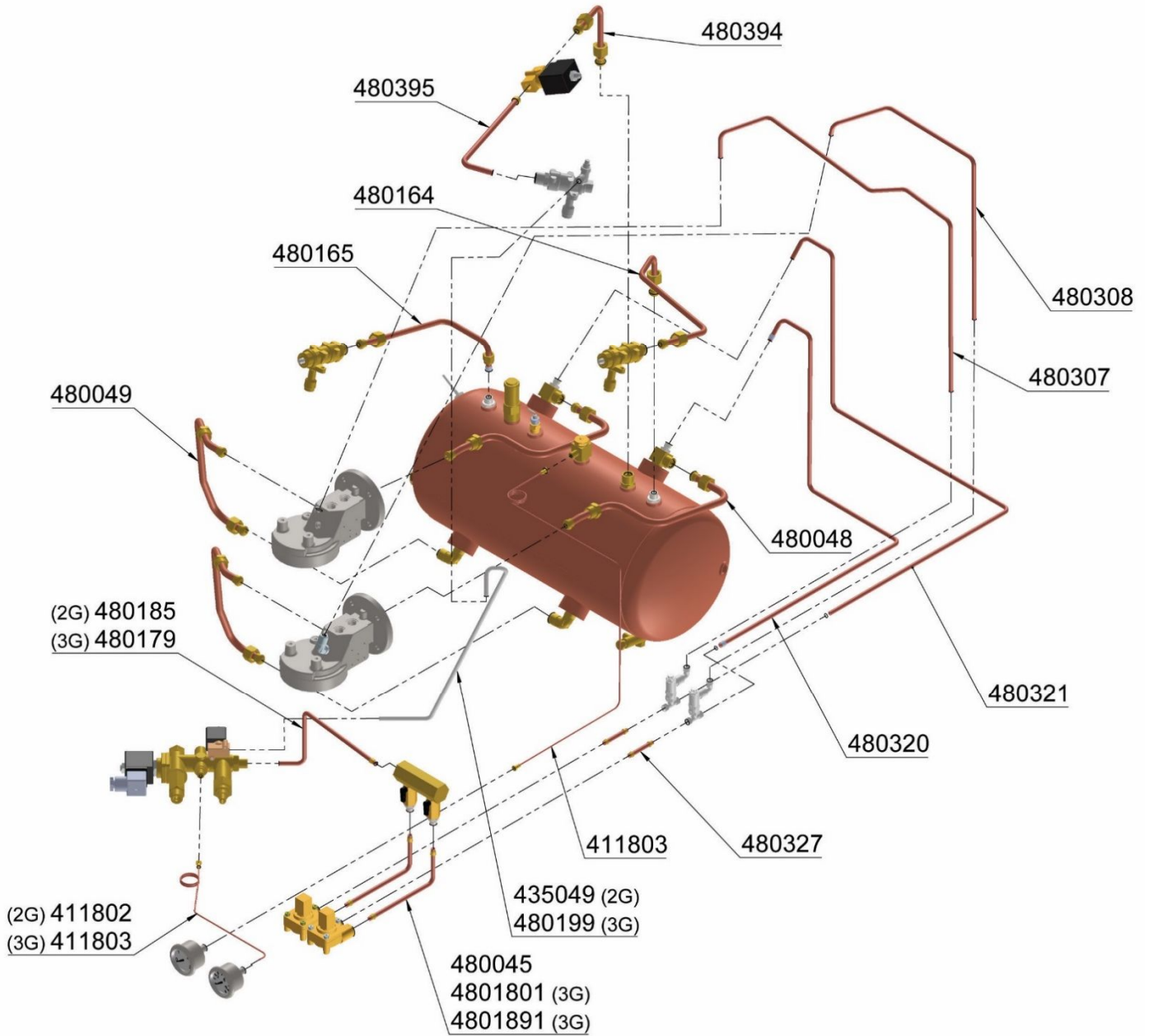
FLOWMETER EQUIPPED X-ONE

401982 VIS CHC 4X8 INOX
403466 COMPTEUR VOLUMETRIQUE
415161 RACCORD 1/4M NIPPLE TUBE 6/4

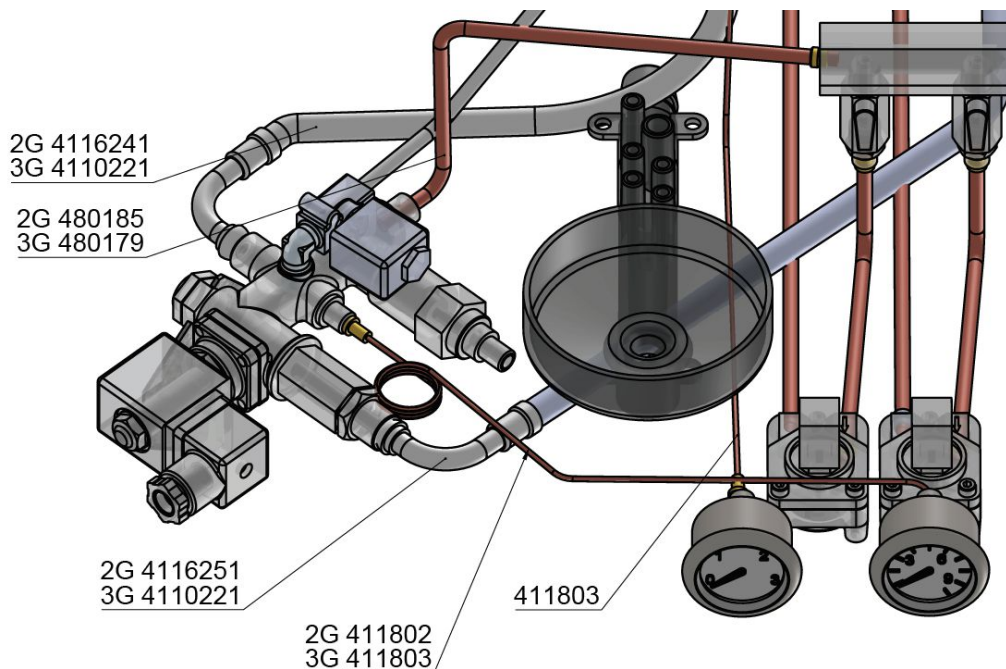
SCREW 4X8
FLOW METER
FITTING 1/4M NIPPLE PIPE 6/4



14. TUYAUTERIE X-ONE TCI / PIPEWORK X-ONE TCI



405621	TUBE SILICONE 6X9	SILICON PIPE 6X9
4110221	FLEXIBLE lg 600 3/8F 90° (3G)	SHEETED HOSE 600mm 3/8F 90° (3G)
4116241	FLEXIBLE lg 400 3/8F 90° (2G)	SHEETED HOSE 400mm 3/8F 90° (2G)
4116251	FLEXIBLE lg 500 3/8F 90° (2G)	SHEETED HOSE 500mm 3/8F 90° (2G)
411802	CAPILLAIRE POMPE 1/8F 1/8F LG300	PUMPS CAPILLARY 1/8F 1/8F LG200
411803	CAPILLAIRE VAPEUR 1/8F 1/8F LG700	STEAM CAPILLARY 1/8F 1/8F LG700
435049	TUBE EAU FROIDE MITIGEUR 2G LG56	COLD WATER MIXER PIPE 2G LG56
462313	FLEXIBLE LG1500 3/8F	SHEETED HOSE LG1500mm 3/8F
480045	TUBE ALIM. TURBINE	TURBINE FEED PIPE
480048	TUBE THERMOSIPHON HAUT	THERMOSIPHON UPPER PIPE
480049	TUBE THERMOSIPHON BAS	THERMOSIPHON LOWER PIPE
480164	TUBE VAPEUR DROIT X-ONE	STEAM RIGHT PIPE
480165	TUBE VAPEUR GAUCHE X-ONE	STEAM LEFT PIPE
480179	TUBE EEA A BLOC ROB. X-ONE 3G	INLET WATER/TAP BLOCK PIPE 3G
480179	TUBE EEA A BLOC ROB. X-ONE 3G	INLET WATER/TAP BLOCK PIPE 3G
480180	TUBE ALIM. TURBINE GAUCHE 3G	TURBINE FEED LEFT PIPE 3G
480185	TUBE EEA A BLOC ROB. X-ONE 2G	INLET WATER/TAP BLOCK PIPE 2G
480185	TUBE EEA A BLOC ROB. X-ONE 2G	INLET WATER/TAP BLOCK PIPE 2G
480189	TUBE ALIM. TURBINE CENTRE 3G	TURBINE FEED LEFT CENTER 3G
480199	TUBE EAU FROIDE MITIGEUR 3G LG75	COLD WATER MIXER PIPE 3G LG75
480394	TUBE CHAUDIERE A EV	BOILER TO SV PIPE
480395	TUBE EV A ROBINET	SV TO TAP PIPE

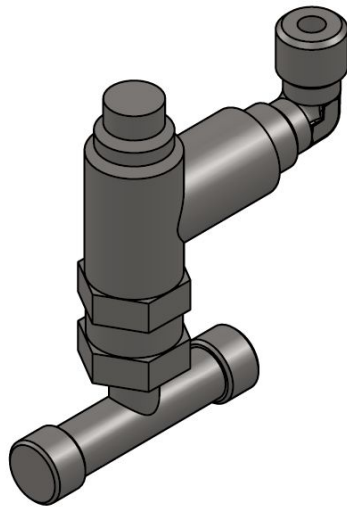


15. MITIGEUR X-ONE TCI / MIXER X-ONE TCI

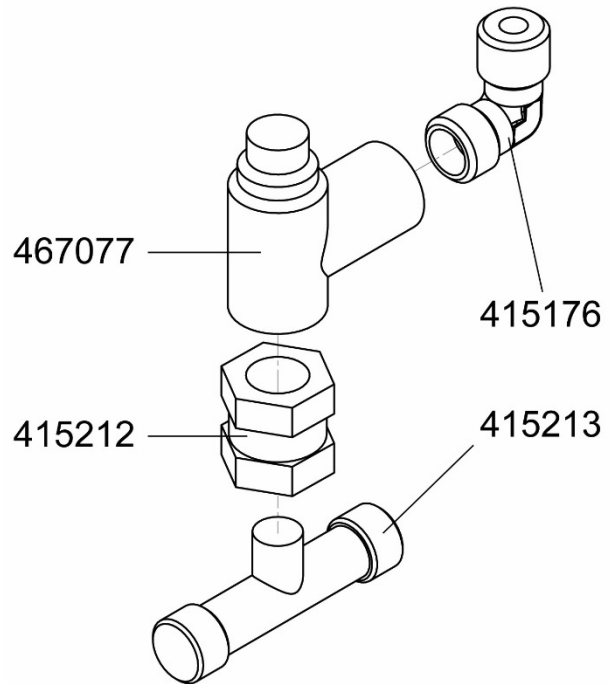
480287	MITIGEUR X-ONE TCI COMPLET	MIXER ASSEMBLY X-ONE TCI
--------	----------------------------	--------------------------

415176	COUDE 1/8M TUBE 4/6
415212	MANCHON TARAUDE 1/8
415213	TE 1/8M 2x TUBE 6/4
467077	REGULATEUR DE FLUX 1/8 1/8C

ANGLE JOINT 1/8M
THREADED SLEEVE 1/8
T-PIECE 1/8M 2x PIPE 6/4
FLOW REGULATOR 1/8 1/8C



480287



16. FAISCEAUX / WIRE

480167	FAISCEAU CHAUFFE	CABLE HARNESS HEATING XTC POWER
480168	FAISCEAU BASSE TENSION 2G	LOW VOLTAGE BEAM 2G
480169	FAISCEAU BASSE TENSION 3G	LOW VOLTAGE BEAM 3G
480170	FAISCEAU PUISSANCE 2G	WIRING HARNESS 2G
480171	FAISCEAU PUISSANCE 3G	WIRING HARNESS 3G



17. CABLE

480086

CABLE RALLONGE LEDS 210 mm

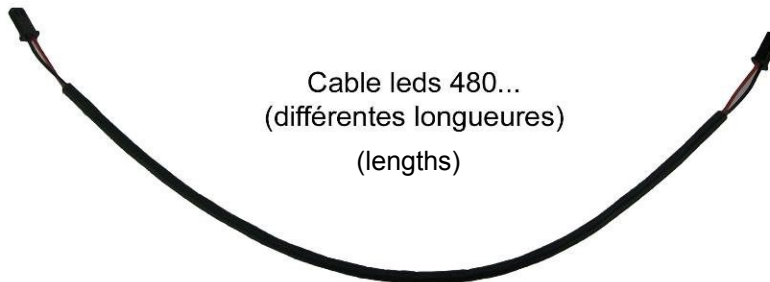
EXTENSION CABLE LED 210 mm



480066
480196
480197
480198

CABLE LEDS 150 mm
CABLE LEDS 350 mm
CABLE LEDS 580 mm
CABLE LEDS 1370 mm

CABLE LED 150 mm
CABLE LED 350 mm
CABLE LED 580 mm
CABLE LED 1370 mm



103250
105250
409840
411002

CABLE ALIM. 3X2,5 lg 2,50m
CABLE ALIM. 5X2,5 lg 2,50m
CABLE POUSSOIR L140
CABLE POUSSOIR EAU CHAUDE

SUPPLY CORD 3X2,5 lg 2,50m
SUPPLY CORD 5X2,5 lg 2,50m
CONTROL BOARD CABLE Lg140
HOT WATER CONTROL BOARD CABLE

103250
105250



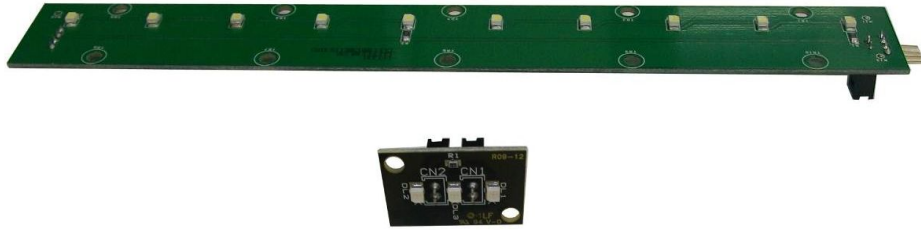
409840
411002



18. ELECTRICITÉ / ELECTRICITY

415145 BARRE 10 LEDS BLANCHES
4156521 BARRE 1/3 LEDS BLANCHES

BAR 10 LEDS WHITE
BAR 1/3 LEDS WHITE



415636 ATTACHE RAPIDE Ø4
466019 ENTRETOISE POUR CI

QUICK CLIP Ø4
PCB SPACER

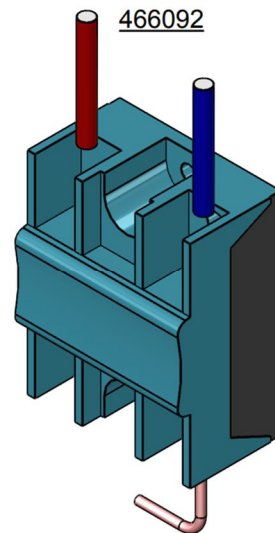
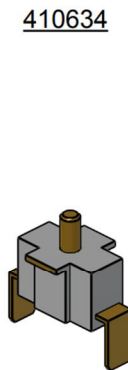
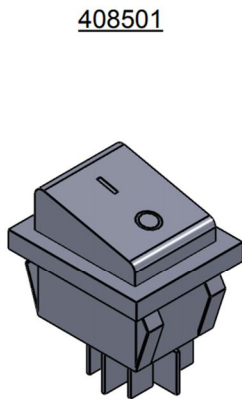


466019

415636 ou 480349

408501 INTERRUPTEUR BIPOLAIRE
410634 THERMOSTAT SEC.160° (klixon)
466092 RELAIS STATIQUE 12V

ON/OFF SWITCH
SAFETY THERMOSTAT 160°(KLIXON)
STATE RELAY 12V SOLID

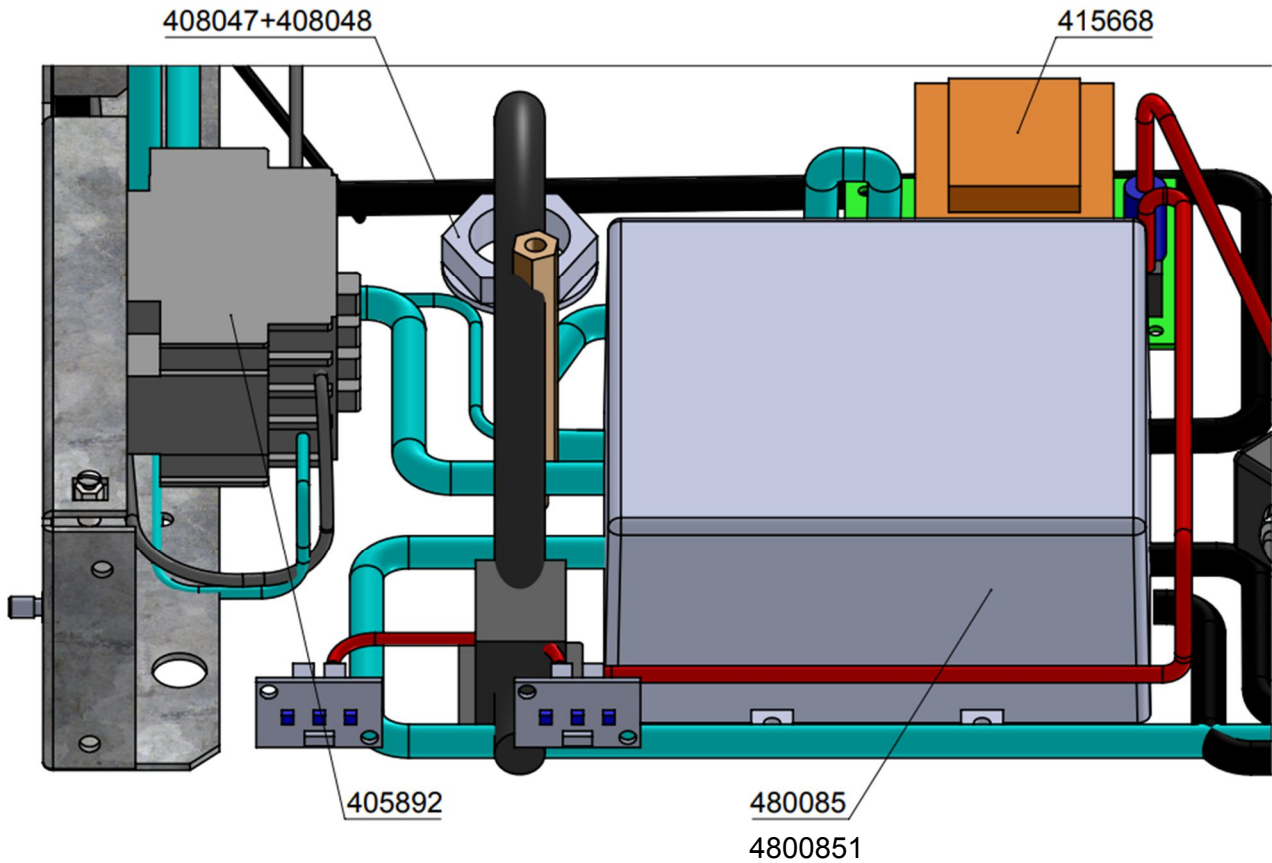


408501

410634

466092

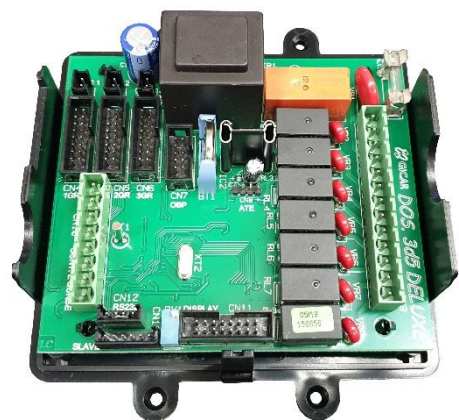
405892	CONTACTEUR 220V G.M.	CONTACTOR 220V
408047	PRESSE ETOUPE "UL"	STUFFING BOX
408048	ECROU DE PRESSE ETOUPE "UL"	STUFFING BOX NUT
415668	CARTE ALIM 20V 10VA	ELECTRIC BOARD 20V 10VA
480084	CARTER DE PROTECTION ELECTRIQUE	PROTECTIVE BOX
480085	CENTRALE X-ONE PRO.EL.IND	MAINBOARD X-ONE PRO.EL.IND
4800851	CENTRALE X-ONE GICAR	MAINBOARD X-ONE GICAR
466540	FUSIBLE 5x20 (3,15A) TEMPORISE	TEMPORIZED FUS 5x20 (3,15A)



CENTRALE 4800851 voir note d'info 309 / MAINBOARD 4800851 see note 309

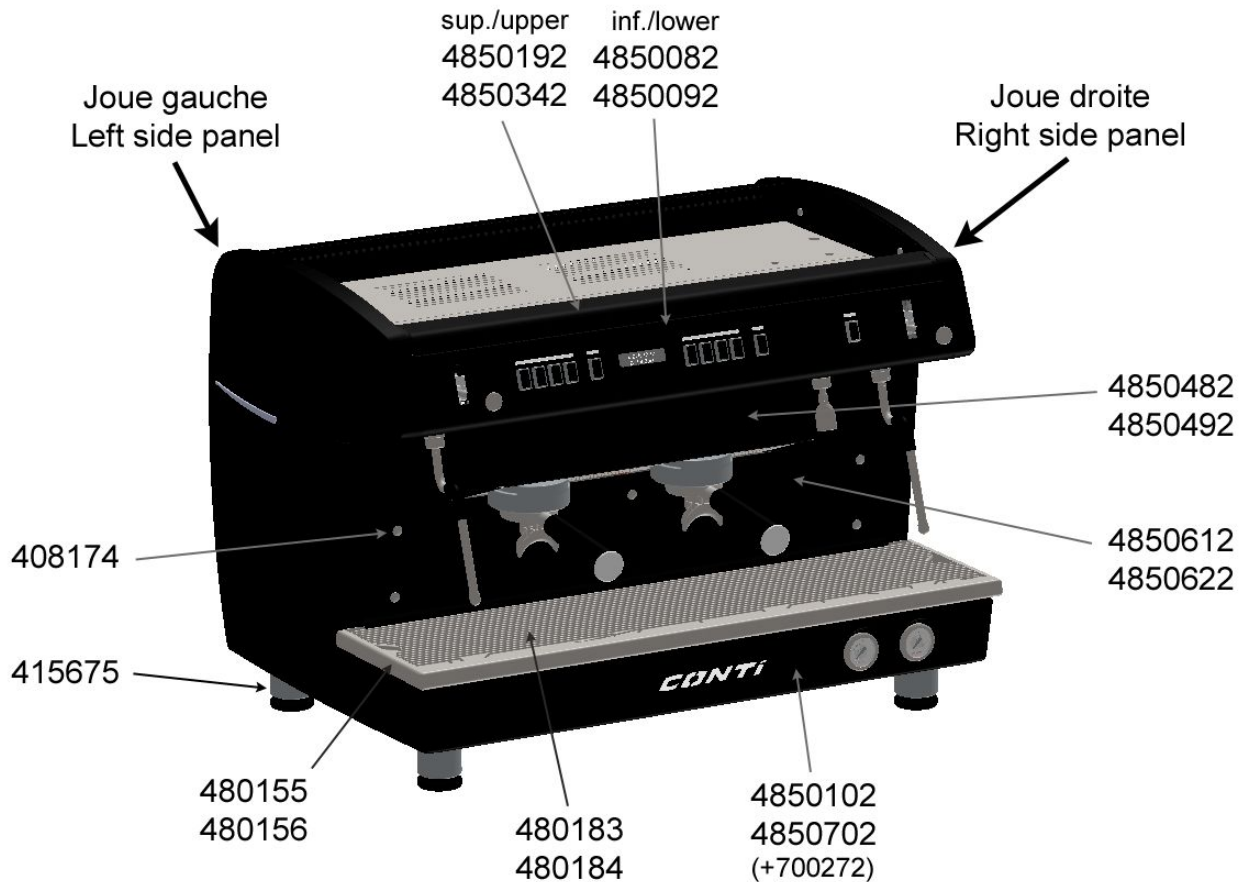


480085



4800851

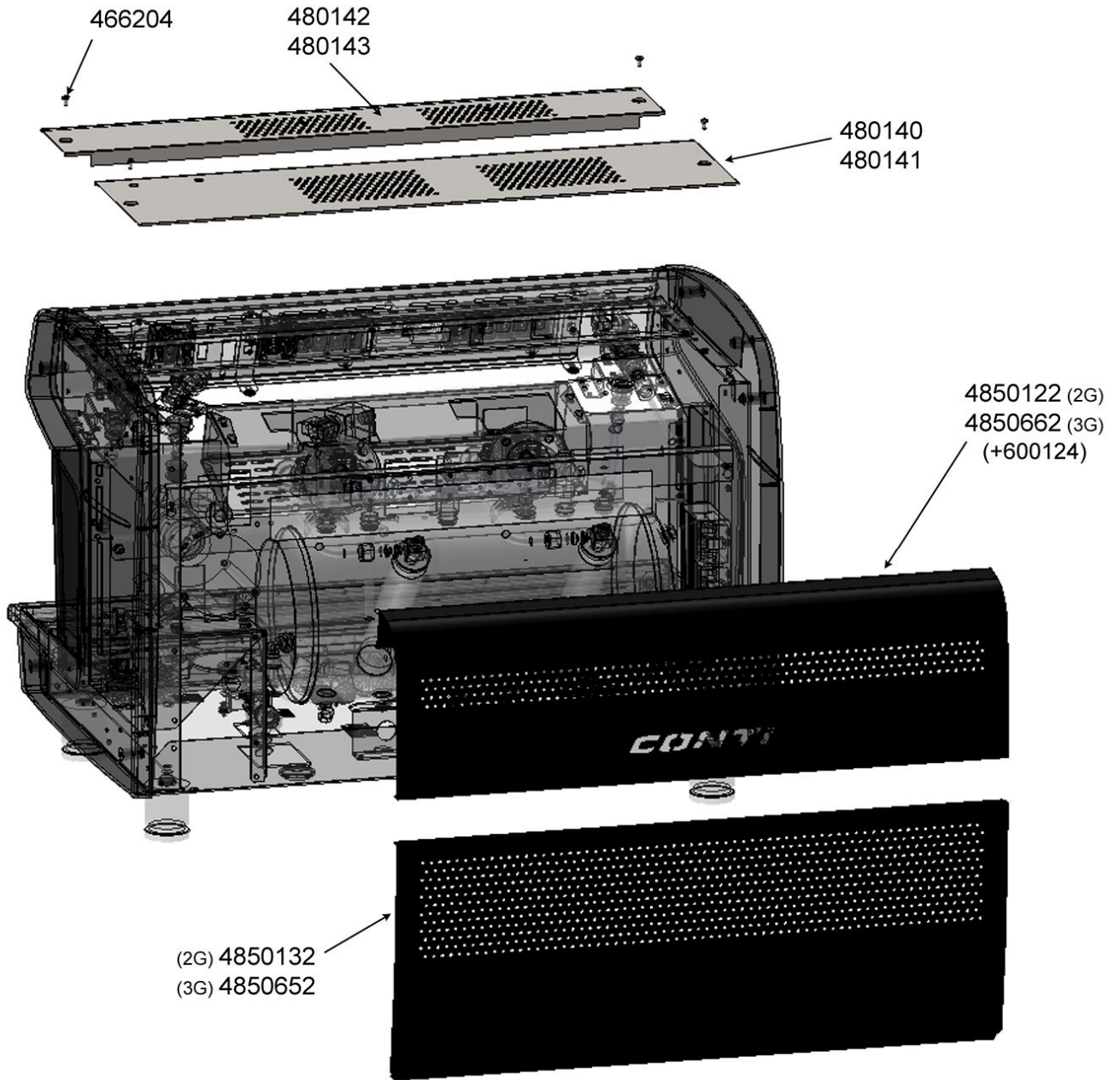
19. CARROSSERIE X-ONE TCI / MAIN FRAME X-ONE TCI



408174	VIS RL M 5 X 12 INOX	SCREW 5X12
415675	PIED CHROME Ø50 M10	CHROMED FOOT Ø50 M10
480146	CARENAGE AMOVIBLE X-ONE 2G	STREAMLINING REMOVABLE 2G
480147	CARENAGE AMOVIBLE X-ONE 3G	STREAMLINING REMOVABLE 3G
480155	BASSIN SOUDE X-ONE 2G	BASIN 2G
480156	BASSIN SOUDE X-ONE 3G	BASIN 3G
480183	EGOUTTOIR X-ONE 2G	DRIP TRAY 2G
480184	EGOUTTOIR X-ONE 3G	DRIP TRAY 3G
4850082	TABLEAU CDE INF X-ONE 2G	PANEL 2G (LOWER)
4850092	TABLEAU CDE INF X-ONE 3G	PANEL 3G (LOWER)
4850102	BASE ARRIERE 2G NOIRE	REAR BASE PLATE 2G BLACK
4850192	TABLEAU CDE SUP X-ONE 2G	PANEL 2G (UPPER)
4850342	TABLEAU CDE SUP X-ONE 3G	PANEL 3G (UPPER)
4850482	CARENAGE FIXE X-ONE 2G NOIR	BLACK STREAMLINING FIXED 2G
4850492	CARENAGE FIXE X-ONE 3G NOIR	BLACK STREAMLINING FIXED 3G
4850612	FACADE ARRIERE 2G NOIRE	BLACK REAR PANEL 2G
4850622	FACADE ARRIERE 3G NOIRE	BLACK REAR PANEL 3G
4850702	BASE ARRIERE 3G NOIRE	REAR BASE PLATE 3G BLACK
700272	PLAQUE PLEXI BASE ARR	BASE PLATE PLEXI (REAR SECTION)

Joue droite et joue gauche, voir chapitre joues équipées
Right and left side panel, see chapter equipped side panel

20. CARROSSERIE / MAIN FRAME (suite)



466204
4850122
4850662
4850132
4850652
480140
480141
480142
480143

VIS CBLX+fente ZN 4x8
FACADE AVANT SUP. X-ONE 2G NOIRE
FACADE AVANT SUP. X-ONE 3G NOIRE
FACADE AVANT INF. X-ONE 2G NOIRE
FACADE AVANT INF. X-ONE 3G NOIRE
CHAUFFE-TASSES AVANT X-ONE 2G
CHAUFFE-TASSES AVANT X-ONE 3G
CHAUFFE-TASSES ARRIERE X-ONE 2G
CHAUFFE-TASSES ARRIERE X-ONE 3G

SCREW 4X8
BLACK FRONT PANEL 2G (UPPER)
BLACK FRONT PANEL 3G (UPPER)
BLACK FRONT PANEL 2G (LOWER) X-ONE
BLACK FRONT PANEL 3G (LOWER) X-ONE
CUP-WARMER 2G (FRONT SECTION)
CUP-WARMER 3G (FRONT SECTION)
CUP-WARMER 2G (REAR SECTION)
CUP-WARMER 3G (REAR SECTION)

600124 **PLAQUE PLEXI FACADE AVANT**

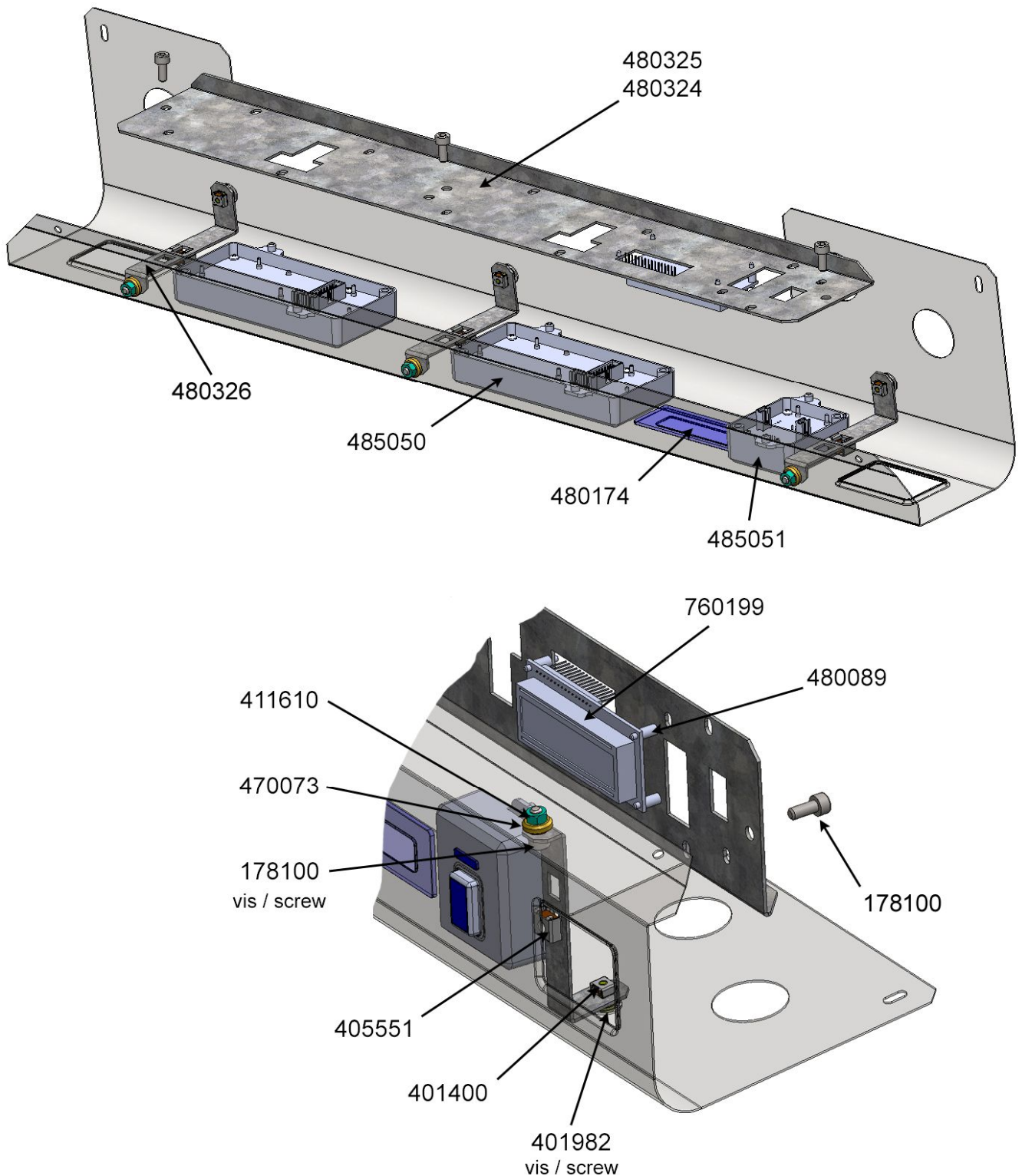
PANEL PLATE PLEXI (FRONT SECTION)

21. JOUE EQUIPÉE X-ONE TCI / EQUIPPED SIDE PANEL X-ONE TCI

485090	JOUE DROITE ALL BLACK CPLTE	CPLTE ALL BLACK RIGHT SIDE PANEL
485091	JOUE GAUCHE ALL BLACK CPLTE	CPLTE ALL BLACK LEFT SIDE PANEL
408174	VIS RL M5X12 INOX	SCREW M5X12
465296	GOUJON ATTACHE M5	STUD M5
480158	VIRGULE JOUE DROITE X-ONE	RIGHT COMA STICKER
480159	VIRGULE JOUE GAUCHE X-ONE	LEFT COMA STICKER
480182	INSERT M5 JOUE X-ONE	INSERT M5
480460	JOUE DROITE NOIRE SEULE	BLACK RIGHT SIDE PANEL ONLY
480461	JOUE GAUCHE NOIRE SEULE	BLACK LEFT SIDE PANEL ONLY
4850242	ENJOLIVEUR JOUE DROITE NOIR	BLACK RIGHT TOP PANEL CAP
4850252	ENJOLIVEUR JOUE GAUCHE NOIR	BLACK LEFT TOP PANEL CAP
4850562	ENTOURAGE DE JOUE DROIT NOIR	BLACK SURROUND RIGHT SIDE PANEL
4850572	ENTOURAGE DE JOUE GAUCHE NOIR	BLACK SURROUND LEFT SIDE PANEL



22. TABLEAU COMMANDE X-ONE / X-ONE CONTROL PANEL



485038 **TABLEAU CDE 2G ALL BLK EQ.**
485039 **TABLEAU CDE 3G ALL BLK EQ.**

CPLTE ALL BLACK 2G PANEL
CPLTE ALL BLACK 3G PANEL

178100	VIS CHC 5X16 AC ZN	SCREW 5X16
401400	ECROU CAGE M4 TOLE 1 À 1,6	CAPTIVE NUT M4
401982	VIS CHC 4X8 INOX A2	SCREW 4X8
405551	ECROU CAGE M5 TOLE 1,2 À 1,6	CAPTIVE NUT M5
411610	ECROU EMBASE M5	NUT M5
470073	ENTRETOISE FIXATION JOUE	PANEL FIXATION SPACER
480089	SUPPORT DE CI	CI SUPPORT
480174	VITRE DISPLAY	GLASS DISPLAY
480324	SUPPORT BOUTON 2G X-ONE TCI	BUTTON SUPPORT 2G X-ONE TCI
480325	SUPPORT BOUTON 3G X-ONE TCI	BUTTON SUPPORT 3G X-ONE TCI
480326	FIXATION TABLEAU-CLAVIER X-ONE	X-ONE FRONT PANEL FIXATION
4850082	TABLEAU CDE INF X-ONE 2G	PANEL 2G (LOWER)
4850092	TABLEAU CDE INF X-ONE 3G	PANEL 3G (LOWER)
4850192	TABLEAU CDE SUP X-ONE 2G	PANEL 2G (UPPER)
4850342	TABLEAU CDE SUP X-ONE 3G	PANEL 3G (UPPER)
485050	CLAVIER 5 TOUCHES X-ONE	X-ONE TOUCH PAD 5 TOUCHES
485051	CLAVIER 1 TOUCHE X-ONE	X-ONE TOUCH PAD 1 TOUCH
760199	DISPLAY BLANC	WHITE DISPLAY



4850082
4850092

4850342
4850192

23. CARROSSERIE COULEUR / COLOR MAIN FRAME**CARROSSERIE BLANCHE / WHITE MAIN FRAME**

480560	JOUE DROITE BLANCHE SEULE	WHITE RIGHT SIDE PANEL ONLY
480561	JOUE GAUCHE BLANCHE SEULE	WHITE LEFT SIDE PANEL ONLY
4850081	TABLEAU CDE INF X-ONE 2G BLANC	WHITE PANEL 2G (LOWER)
4850091	TABLEAU CDE INF X-ONE 3G BLANC	WHITE PANEL 3G (LOWER)
4850101	BASE ARRIERE 2G BLANCHE	WHITE REAR BASE PLATE 2G BLACK
4850121	FACADE AVANT SUP. X-ONE 2G BLANCHE	WHITE FRONT PANEL 2G (UPPER)
4850131	FACADE AVANT INF. X-ONE 2G BLANCHE	WHITE FRONT PANEL 2G (LOWER)
4850191	TABLEAU CDE SUP X-ONE 2G BLANC	WHITE PANEL 2G (UPPER)
4850241	ENJOLIVEUR JOUE DROITE BLANC	WHITE RIGHT TOP PANEL CAP
4850251	ENJOLIVEUR JOUE GAUCHE BLANC	WHITE LEFT TOP PANEL CAP
4850341	TABLEAU CDE SUP X-ONE 3G BLANC	WHITE PANEL 3G (UPPER)
4850481	CARENAGE FIXE X-ONE 2G BLANC	WHITE STREAMLINING FIXED 2G
4850491	CARENAGE FIXE X-ONE 3G BLANC	WHITE STREAMLINING FIXED 3G
4850561	ENTOURAGE DE JOUE DROIT BLANC	WHITE SURROUND RIGHT SIDE PANEL
4850571	ENTOURAGE DE JOUE GAUCHE BLANC	WHITE SURROUND LEFT SIDE PANEL
4850611	FACADE ARRIERE 2G BLANCHE	WHITE REAR PANEL 2G
4850621	FACADE ARRIERE 3G BLANCHE	WHITE REAR PANEL 3G
4850651	FACADE AVANT INF. X-ONE 3G BLANCHE	WHITE FRONT PANEL 3G (LOWER)
4850661	FACADE AVANT SUP. X-ONE 3G BLANCHE	WHITE FRONT PANEL 3G (UPPER)
4850701	BASE ARRIERE 3G BLANCHE	WHITE REAR BASE PLATE 3G

CARROSSERIE ROUGE / RED MAIN FRAME

480360	JOUE DROITE ROUGE SEULE	RED RIGHT SIDE PANEL ONLY
480361	JOUE GAUCHE ROUGE SEULE	RED LEFT SIDE PANEL ONLY
4850083	TABLEAU CDE INF X-ONE 2G ROUGE	RED PANEL 2G (LOWER)
4850093	TABLEAU CDE INF X-ONE 3G ROUGE	RED PANEL 3G (LOWER)
4850103	BASE ARRIERE 2G ROUGE	RED REAR BASE PLATE 2G BLACK
4850123	FACADE AVANT SUP. X-ONE 2G ROUGE	RED FRONT PANEL 2G (UPPER)
4850133	FACADE AVANT INF. X-ONE 2G ROUGE	RED FRONT PANEL 2G (LOWER)
4850193	TABLEAU CDE SUP X-ONE 2G ROUGE	RED PANEL 2G (UPPER)
4850243	ENJOLIVEUR JOUE DROITE ROUGE	RED RIGHT TOP PANEL CAP
4850253	ENJOLIVEUR JOUE GAUCHE ROUGE	RED LEFT TOP PANEL CAP
4850343	TABLEAU CDE SUP X-ONE 3G ROUGE	RED PANEL 3G (UPPER)
4850483	CARENAGE FIXE X-ONE 2G ROUGE	RED STREAMLINING FIXED 2G
4850493	CARENAGE FIXE X-ONE 3G ROUGE	RED STREAMLINING FIXED 3G
4850563	ENTOURAGE DE JOUE DROIT ROUGE	RED SURROUND RIGHT SIDE PANEL
4850573	ENTOURAGE DE JOUE GAUCHE ROUGE	RED SURROUND LEFT SIDE PANEL
4850613	FACADE ARRIERE 2G ROUGE	RED REAR PANEL 2G
4850623	FACADE ARRIERE 3G ROUGE	RED REAR PANEL 3G
4850653	FACADE AVANT INF. X-ONE 3G ROUGE	RED FRONT PANEL 3G (LOWER)
4850663	FACADE AVANT SUP. X-ONE 3G ROUGE	RED FRONT PANEL 3G (UPPER)
4850703	BASE ARRIERE 3G ROUGE	RED REAR BASE PLATE 3G

24. OPTION TALL CUP

CARROSSERIE / MAIN FRAME

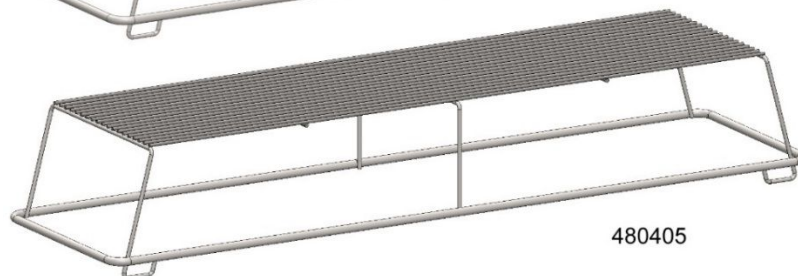
4850361	TABLEAU CDE XBLK 2G TC BLANC	WHITE PANEL 2G (lower)
4850371	TABLEAU CDE XBLK 3G TC BLANC	WHITE PANEL 3G (lower)
4850631	FACADE ARR XBLK 2G TC BLANC	WHITE REAR PANEL 2G
4850641	FACADE ARR XBLK 3G TC BLANC	WHITE REAR PANEL 3G
4850362	TABLEAU CDE XBLK 2G TC NOIR	BLACK PANEL 2G (lower)
4850372	TABLEAU CDE XBLK 3G TC NOIR	BLACK PANEL 3G (lower)
4850632	FACADE ARR XBLK 2G TC NOIR	BLACK REAR PANEL 2G
4850642	FACADE ARR XBLK 3G TC NOIR	BLACK REAR PANEL 3G
4850363	TABLEAU CDE XBLK 2G TC ROUGE	RED PANEL 2G (lower)
4850373	TABLEAU CDE XBLK 3G TC ROUGE	RED PANEL 3G (lower)
4850633	FACADE ARR XBLK 2G TC ROUGE	RED REAR PANEL 2G
4850643	FACADE ARR XBLK 3G TC ROUGE	RED REAR PANEL 3G



480193	REHAUSSEUR DE TASSE EV	BOOSTER SEAT
480405	REHAUSSEUR DE TASSE DOUBLE	BOOSTER SEAT DOUBLE



480193



480405

TUYAUTERIE / PIPEWORK

480075	TUBE THERMOSIPHON HAUT X-ONE TC	THERMOSIPHON UPPER PIPE X-ONE TC
480076	TUBE THERMOSIPHON BAS X-ONE TC	THERMOSIPHON LOWER PIPE X-ONE TC
480309	TUBE MITIGEUR GROUPE 1 TC	MIXER GROUP 1 PIPE X-ONE TC
480310	TUBE MITIGEUR GROUPE 2 TC	MIXER GROUP 2 PIPE X-ONE TC

25. OPTION STEAM CONTROL

411909 BROC 0,7l
465204 LIQUIDE NETTOYAGE 1 litre



JUG 0,7 LITER
CLEANING SOLUTION 1liter



CARROSSERIE / MAIN FRAME

4850721 TABLEAU CDE X-TCI LV 2G BLANC
4850731 TABLEAU CDE X-TCI LV 3G BLANC
4850722 TABLEAU CDE X-TCI LV 2G NOIR
4850732 TABLEAU CDE X-TCI LV 3G NOIR
4850723 TABLEAU CDE X-TCI LV 2G ROUGE
4850733 TABLEAU CDE X-TCI LV 3G ROUGE

WHITE X-TCI LV PANEL 2G
WHITE X-TCI LV PANEL 3G
BLACK X-TCI LV PANEL 2G
BLACK X-TCI LV PANEL 3G
RED X-TCI LV PANEL 2G
RED X-TCI LV PANEL 3G

485074 TABLEAU CDE EQ X-TCI LV 2G NOIR
485075 TABLEAU CDE EQ X-TCI LV 3G NOIR

EQUIPPED X-TCI LV PANEL 2G BLACK
EQUIPPED X-TCI LV PANEL 3G BLACK



4850722 - 4850732

TUYAUTERIE / PIPEWORK

480340 TUBE ALIM. BLOC EV EAU FROIDE
480341 TUBE RINCAGE X-ONE TCI LV
480342 TUBE VAPEUR X-ONE TCI LV
480343 TUBE LAIT CHAUD

BLOCK SV COLD WATER FEEDING PIPE
RINSE PIPE X-ONE TCI LV
STEAM PIPE X-ONE TCI LV
HOT MILK PIPE

ELECTRICITE / ELECTRICITY

- 411954 CÂBLE VAPEUR LV
- 415596 CENTRALE EXTENTION XEOS LV
- 480231 CÂBLE CLAVIER LV
- 480233 FAISCEAU PUISSANCE 2G LV
- 4802331 FAISCEAU PUISSANCE 3G LV

- STEAM FOR SC
- EXPENSED ELECTRONIC BOX
- TOUCH PAD CABLE SC
- WIRING HARNESS 2G SC
- WIRING HARNESS 3G SC

CENTRALE PRINCIPALE / MAIN CPU BOARD :

- 480227 CENTRALE X-ONE 7T STEAM CONTROL

- MAINBOARD X-ONE 7T STEAM CONTROL

A partir du matricule n° XXXXXX :

- 480085 CENTRALE X-ONE PRO.EL.IND
- 4800851 CENTRALE X-ONE GICAR

From Serial number XXXXXX :

- MAINBOARD X-ONE PRO.EL.IND
- MAINBOARD X-ONE GICAR



APRES / AFTER XXXXXX



- 480318 CLAVIER 1 TOUCHE Lait chaud
- 480319 CLAVIER 1 TOUCHE Steam Control

- HOT MILK 1 TOUCH
- STEAM CONTROL TOUCH PAD 1 TOUCH



4802252 BLOC EV STEAM CONTROL

- 401982 VIS CHC 4X8 INOX A2
- 415161 RACCORD 1/4M NIPPLE TUBE 6/4
- 415173 RACCORD 1/4M TUBE 8/6
- 430049 EV.3V.230V.1/4G.8W

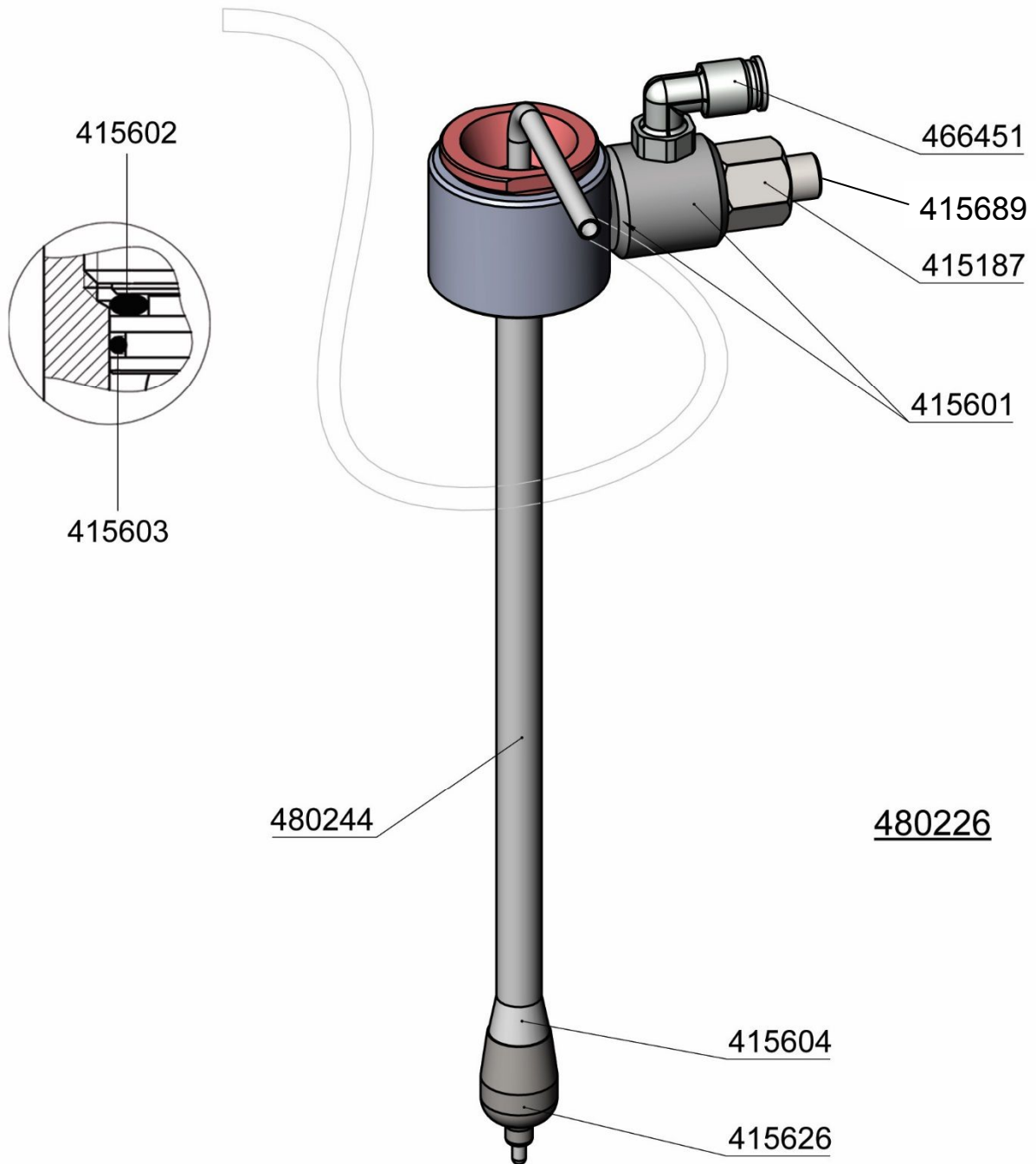
VALVE BLOCK for STEAM CONTROL

- SCREW 4X8
- FITTING 1/4M NIPPLE
- FITTING 1/4M
- SOLENOID VALVE 3 WAYS 230V 1/4 8W
- 4802252



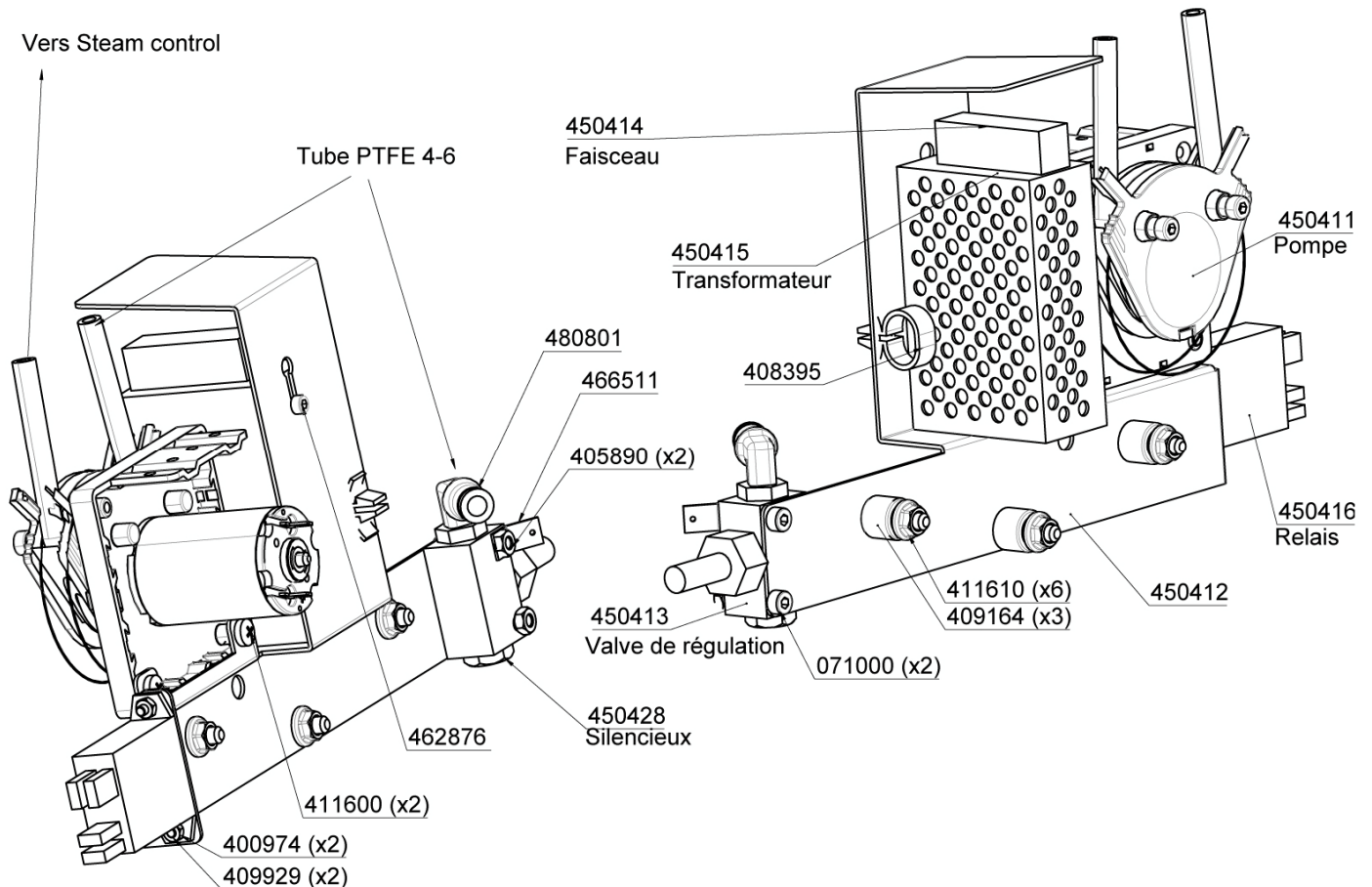
<u>480226</u>	<u>STEAM CONTROL EQUIPE</u>
401982	VIS CHC 4X8 INOX A2
415187	RACCORD 1/8F TUBE 4/6
466451	RACCORD INSTANTANEE 1/8MC CO
480244	STEAM CONTROL X-ONE
415601	JOINT TORIQUE 9,25X1,78 EPDM70
415602	JOINT TORIQUE 3/4"X1" NBR70
415603	JOINT TORIQUE 23,52X1,78 EPDM70
415604	JOINT TORIQUE 8,73X1,78 FPM70
415626	EMBOUT STEAM CONTROL
415689	INJECTEUR STEAM CONTROL

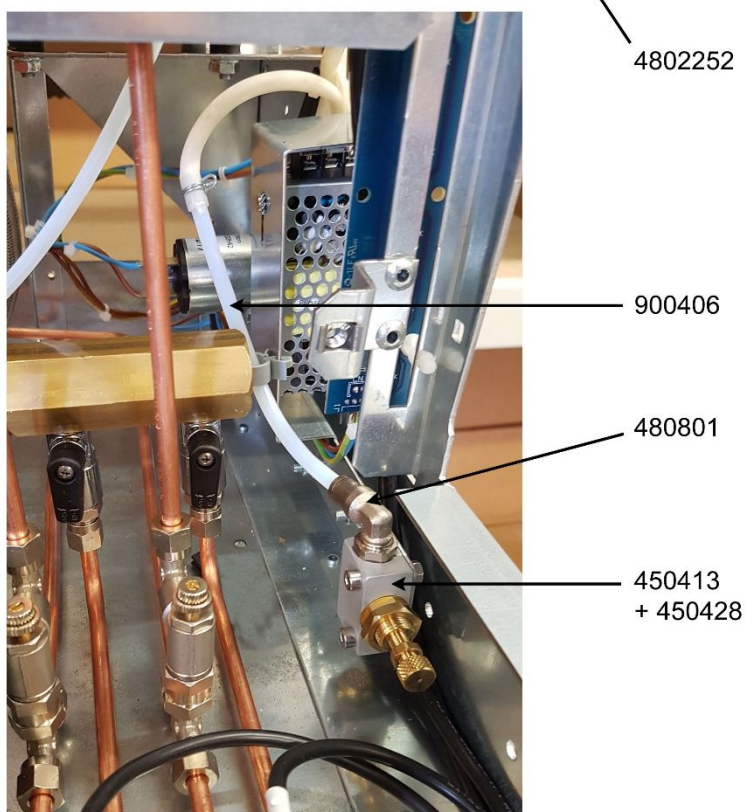
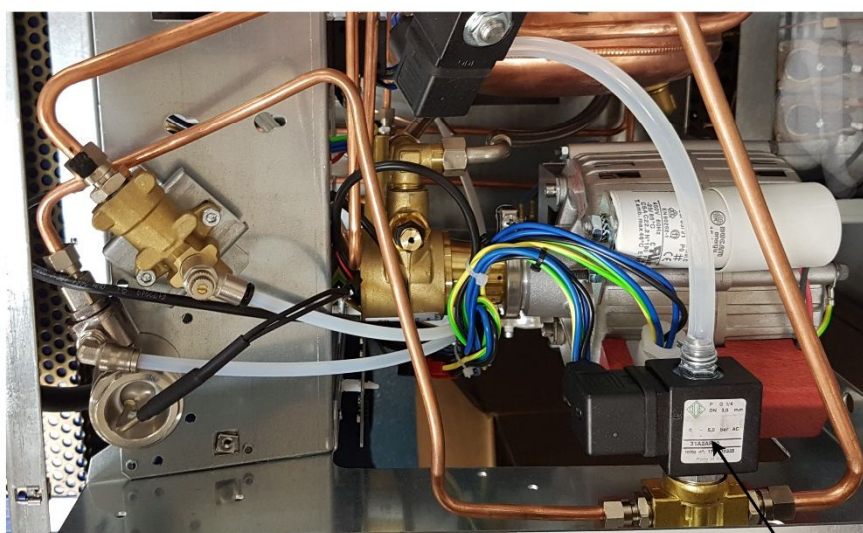
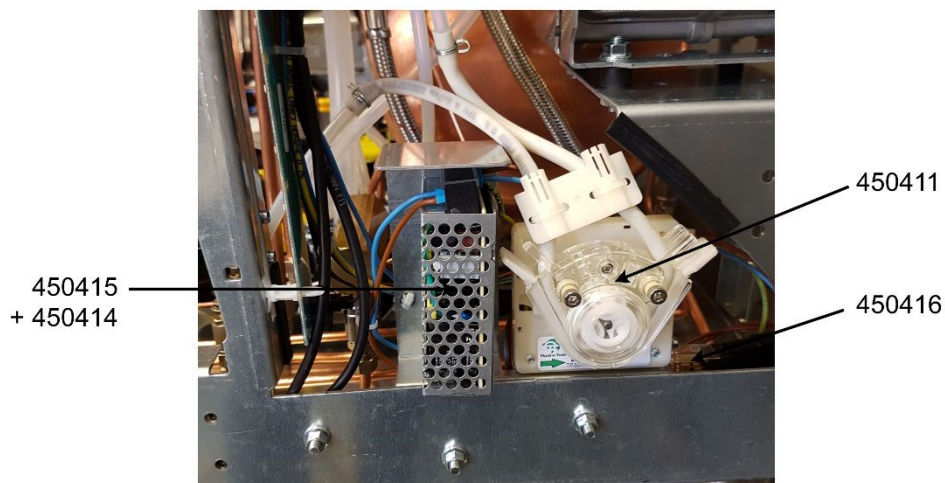
<u>EQUIPPED STEAM CONTROL</u>
SCREW 4X8
FITTING 1/8F
CONNECTION 1/8MC ANGLE
STEAM CONTROL X-ONE
9,25X1,78 EPDM70 O'RING GASKET
3/4"X1" NBR70 O'RING GASKET
23,52X1,78 EPDM70 O'RING GASKET
8,73X1,78 FPM70 O'RING GASKET
STEAM CONTROL NOZZLE
STEAM CONTROL INJECTOR



450419 ENS. POMPE pr MOUSSE DE LAIT PUMP SET for MILK FOAM

071000	VIS CHC 4X20 INOX A2	SCREW 4X20
400974	ECROU HU 3 INOX	NUT HU 3
405890	ECROU HU 4 INOX	NUT HU 4
408395	SERRE-CABLE NYLON Ø14	CABLE CLAMP NYLON Ø14
409164	PLOT ELASTIQUE M5	M5 RUBBER SPACER
409929	VIS CHC 3X8 INOX	SCREW 3X8
411600	VIS TX 4X10 INOX	SCREW 4X10
411610	ECROU EMBASE M5	M5 BASE PLATE NUT
450411	POMPE A LAIT	MILK PUMP
450412	FIXATION POMPE A LAIT	MILK PUMP FIXING
450413	VALVE DE REGULATION D'AIR	AIR CONTROL VALVE
450414	FAISCEAU POMPE A LAIT 2G	2G MILK PUMP BEAM
450415	TRANSFO POMPE	PUMP TRANSFO
450416	RELAIS POUR POMPE A LAIT	RELAY FOR MILK FOAM
450428	SILENCIEUX LAITON 1/8	SILENT BRASS 1/8
462876	VIS TC 3X6 INOX	SCREW 3X6
480801	COUDE 1/8M TUBE 6	ANGLE JOINT 1/8M
900406	TUBE PTFE 4X6	PTFE PIPE 4X6





26. ACCESSOIRES / ACCESSORIES

016795	FILTRE DE NETTOYAGE	CLEANING FILTER
016797	PINCEAU DE NETTOYAGE JOINT PF	FILTER HOLDER CLEANING BRUSH
408821	TESTEUR DE DURETE	WATER HARDNESS TESTER
411812	TUYAU DE VIDANGE LG150	DRAIN PIPE LG150
466662	PASTILLE DE NETTOYAGE (PAR 20)	CLEANING TABLETS (BY 20)



016797



016795



408821



411812



466662

27. OPTION

466661	PASTILLE DE NETTOYAGE (PAR 100)	CLEANING TABLETS (BY 100)
--------	---------------------------------	---------------------------



466661

405319	INTERFACE CAISSE ENREGISTREUSE	COMPLETE INTERFACE
--------	--------------------------------	--------------------

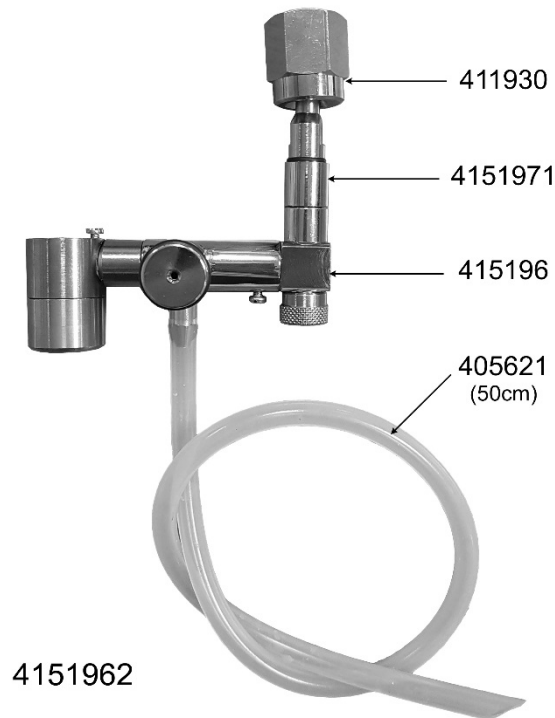
28. OPTION CAPPU

4151962 CAPPUCINATORE COMPLET

405621 TUBE SILICONE 6X9
411930 SORTIE EAU CHAUDE CPLT
415196 CAPPUCINATORE
4151971 RALLONGE CAPPUCINO

CAPPUCINATORE COMPLETE

6X9 SILICON PIPE
HOT WATER OUTLET
CAPPUCINATORE
EXTENSION CAPPUCINATORE



29. PIECES DETACHEES POUR L'ENTRETIEN / SPARE PARTS FOR MAINTENANCE

480330 KIT A (USURE) / KIT A (WEAR)

480331 KIT B (URGENT) / KIT B (EMERGENCY)

480332 KIT C (STOCK) / KIT C (STOCK)