



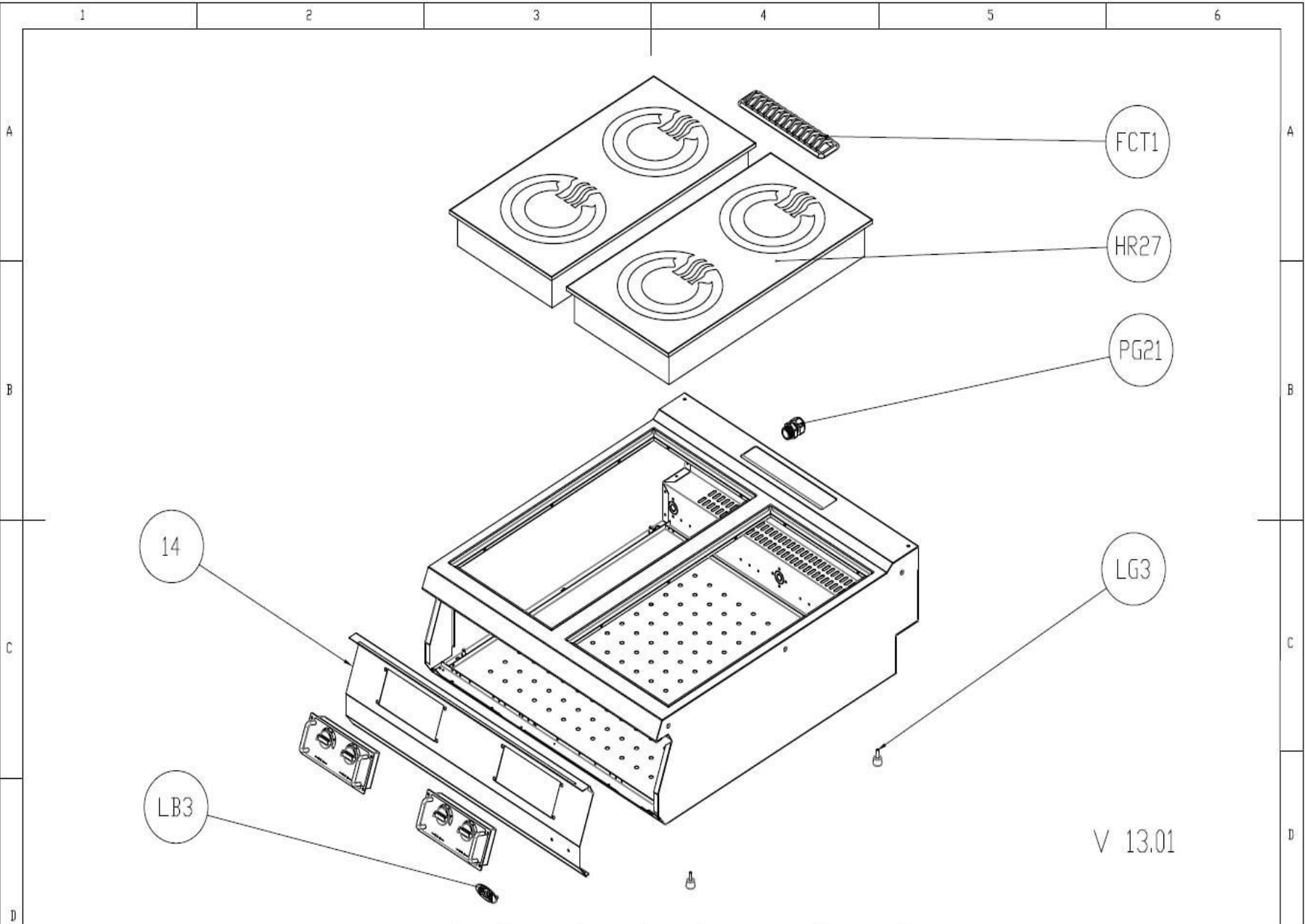
7865.N1.80903.IS

RECHAUD 4 PLAQUES A INDUCTION (A POSER)

1
DE VERSION: V18.01

LISTE DES PIECES DETACHEES

REFERENCE	DESIGNATION	REPERE	PRIX BRUT.	UNITE
6218.00002.00	FASTENER SPIN TYPE M5 NO CAP WITH CD COAT.			
6213.00002.45	M5*12 TEK NOKTA INOX			
5BT1.ET700A.01	GLASS KIT			
6213.00001.10	M5x10 INOX PAN HEAD CROSS RECESSES SCREW			
6214.00002.09	ECROU GALVANISE M5			
6232.00012.08	BOUTON CIRCULAIRE SANS CONTACT 22MM VERT			
6232.00012.05	Contact Moeller M22-A			
6252.00015.160	FAN 12*12*3.8 230V ADDA			
6232.00012.07	SUPPORT POUR BLOC DE CONTACT TRIPLE M22-A MOELLER			
5BT1.ET700A.00	CONTROL BOX			
5BT1.ET700.04	ANA KART ET700			
6252.00015.01	FAN WIRE 12*12CM			
6218.00002.00	FASTENER SPIN TYPE M5 NO CAP WITH CD COAT.			
6213.00002.19	M5x16 S/S COUNTERSINKING HEAD CROSS RECESS SCREW			
2800.N30.GR004.01	900 SER ÇEVRE SOL GRUBU			
2800.N30.GR003.01	900 SER ÇEVRE SA GRUBU			
2865.N20.08000290.N.10	PLAQUE FRONTALE 80x90 CM POUR RECHAUD INDUCTION	14		
6260.00058.96	COUVERT CHEMINEE EN FONTE POUR SERIE 700&900	FCT1		
9868.ET700.A0	OZTIRYAKILER INDUCTION COOKER BUILT-IN 7000W 69,8 X 34,9 X 9,4 CM VERTICAL	HR27		
2179.09028.01B	ETIQUETTE OZTIRYAKILER PEINTE	LB3		
6260.00002.05	PIED REGLABLE M6	LG3		
6259.00003.10	PASSE-CABLE PG 21	PG21		
6248.00016.02	TERMINAL PORCELAINE NO_3	TP2		



V 13.01

ARGE
KONTROLLÜ KOPYA

R&D	İSİM	İMZA	TARİH	MATERİYAL	TOLERANS
ÇİZEN	E.BA?TU?		22.12.2012		DIN 7168 ORTA
KONTROL	M.HACI		22.12.2012		
ONAY	M.HACI		22.12.2012		
A?IRLIK(gr.)	63908,24	KALINLIK		REVİZYON	1

öztiryakiler

PARÇA ADI
8090 INDUCTION OCAK

RESİM ÜZERİNDEN ÖLÇÜ ALMAYINIZ I

TÜM ÖLÇÜLER MM CİNSİNDİR

TRESİM NO
DSI 8090 patlamış