

ACLD

INDICE - INDEX - SOMMAIRE - VERZEICHNIS

ACLD-01

CALDAIA - BOILER - CHAUDIÈRE - KESSEL STANDARD

ACLD-50

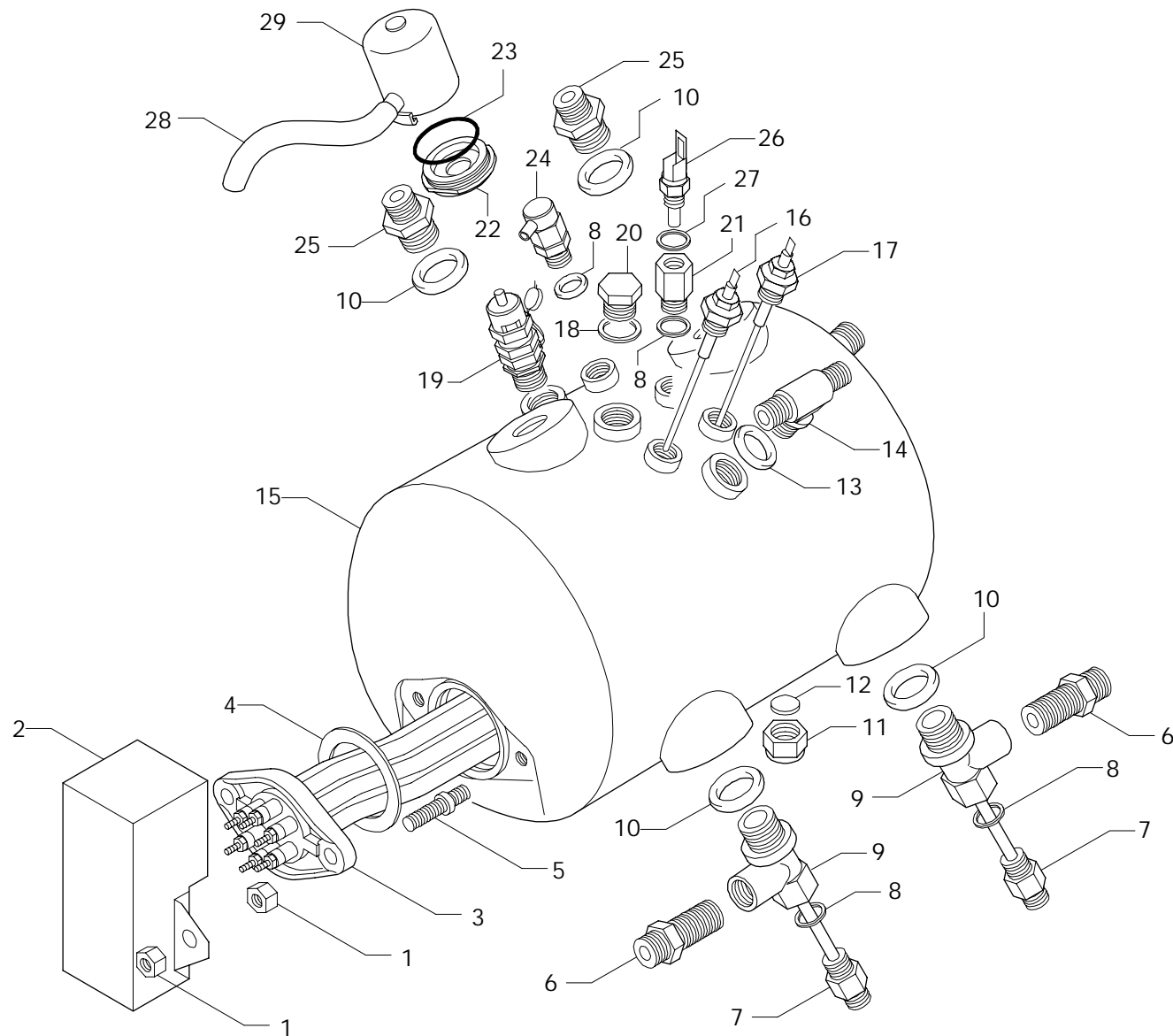
CALDAIA - BOILER - CHAUDIÈRE - KESSEL U.S.A.

*Caldaia
Scambiatore*

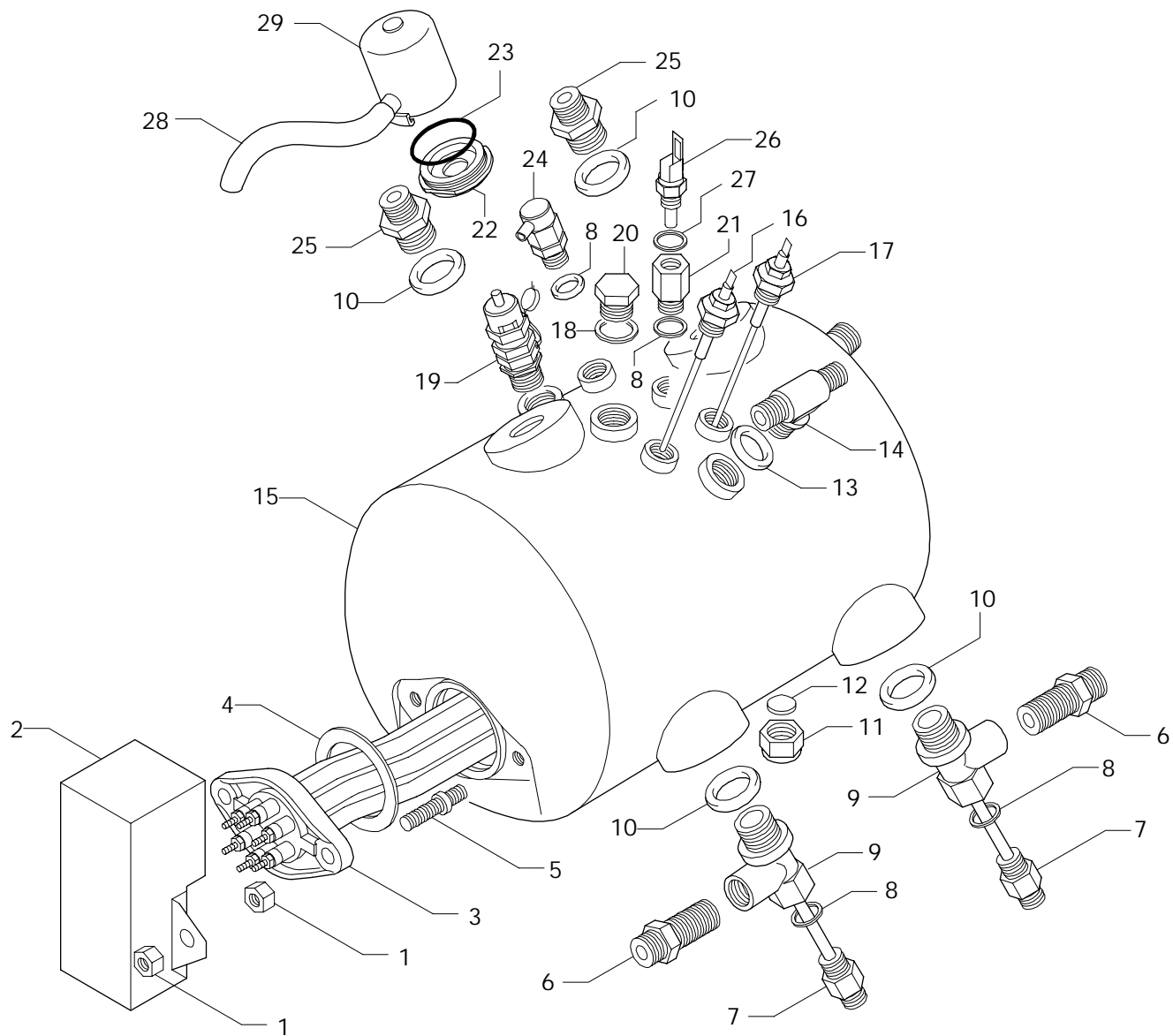
*Boiler
Exchanger*

*Chaudière
Échangeur*

*Kessel
Austauscher*



Pos	Cod.	Denominazione - IT -	Denomination - GB -	Denomination - FR -	Denomination - DE -
1	23049	DADO OTTONE M8 UNI 5587	BRASS NUT M8 UNI 5587	ECROU LAI TON M8 UNI 5587	MESSING-SCHRAUBENMUTTER M8 UNI 5587
2	77686034	PROTEZIONE RESI STENZA	HEATING ELEMENT GUARD	PROTECTEUR RESI STANCE	ABDECKUNG WIDERSTAND
3	17012	RESI STENZA 1GR 6P 230/380V 2700W	HEAT. ELEM. 1GR 230/380V 2700W 6POLES	RESI STANCE 1GR 230/380V 2700W/6POLES	HEIZKÖRPER 1GR 230/380V 2700W 6POLES
4	12001	GUARNI ZI ONE TEFLON VERGINE X RES/SCA 58X	TEFLON GASKET ELEMENT/EXCH. 58X43X2	JOINT TEFLON RESIST/ECHANG. 58X43X2	TEFLON DICHTUNG 58X23X2
5	23132001	PRI GI ONI ERO I NOX M8 FONDO	M8 STAINLESS STEEL BOTTOM STUD BOLT	PRI SONNI ER I NOX M8 FOND	STIFTSCHRAUBE EDELSTAHL M8 BODEN
6	25681002	RACCORDO CANNA H2O/VAP E22	E22 H2O/STEAM TUBE FITTING	RACCORD CONDUIT H2O/VAP E22	SCHLAUCHANSCHLUSS H2O/DAMPF E22
7	52002788	TBS. D-6 L. 85 1-4GR W 67 I NI ETTORE	DRAIN TUBE D6 L85 1-4GR	TUYAU A V DANGER D6 L85 1-4GR	ROHR D-6 L. 85
8	12100	GUARNI ZI ONE CU/ALIM 1/4 18. 7X13. 2X2. 5	CU GASKET 1/4 18. 7X13. 2X2. 5	JOINT CU 1/4 18. 7X13. 2X2. 5	CU DICHTUNG 1/4 18. 7X13. 2X2. 5
9	23215001	RACCORDO 1/2 T	1/2 TEE UNION	RACCORD 1/2 T	ANSCHLUSS 1/2 T
10	12105	GUARNI ZI ONE CU/ALIM 1/2 GAS	CU GASKET 1/2 GAS	JOINT CU 1/2 GAZ	CU DICHTUNG 1/2 GAS
11	25781	TAPPO FEMMINA 3/8	FEMALE CAP 3/8	BOUCHON FEMELLE 3/8	STOPFEN 3/8
12	12402	GUARNI ZI ONE PASTI CCA KLINGERSI L4400 15X3	GASKET KLINGERSI L4400 15X3	JOINT KLINGERSI L4400 15X3	DICHTUNG KLINGERSI L4400 15X3
13	12101	GUARNI ZI ONE CU/ALIM 3/8 22X17X3	3/8 22X17X3 FEEDER/COPPER SEAL	JOINT CUI VRE/ALIM 3/8 22X17X3	KUPFERDICHTUNG/SPEIS. 3/8 22X17X3
14	43033	RACCORDO "T" 3/8X3/8X1/4	3/8X3/8X1/4 T FITTING	RACCORD "T" 3/8X3/8X1/4	ANSCHLUSS 3/8X3/8X1/4 T
15	62099002	CALDAIA 2GR 7 LITRI	2GR 7-LITER BOILER	CHAUDIÈRE 2GR 7 LITRES	KESSEL 2 EINHEITEN 7 LITER
16	20258	SONDA LIVELLO TL 10/B TFL L150 900024	LEVEL PROBE TL 10/B TFL L150 900024	SONDE NIVEAU TL 10B TFL L150 900024	NIVEAUSONDE TL 10B TFL L150 900024
17	20251	SONDA LIVELLO TL 10/B L125 908600	TL 10/B L125 900000 LEVEL PROBE	JAUGE TL 10/B L125 900000	PEGELFÜHLER TL 10/B L125 900000
18	12154	GUARNI ZI ONE CU 3/8 22X17X1. 5	3/8 22X17X1. 5 COPPER SEAL	JOINT CUI VRE 3/8 22X17X1. 5	KUPFERDICHTUNG 3/8 22X17X1. 5
19	20352	VALVOLA DI SICUREZZA CE +SIG.	ATISAE+SIG. SAFETY VALVE	VANNE DE SECURITE ATISAE+JOINT	SICHERHEITSVENTIL ATISAE+SIEGEL CMA
20	25785	TAPPO MASCHIO 3/8	MALE CAP 3/8	BOUCHON MALE 3/8	STOPFEN 3/8
21	25733	RACCORDO OT 1/8F X 1/4M	BRASS FITTING 1/8F X 1/4M	RACCORD LAITON 1/8F X 1/4M	MESSING-ANSCHLUSS 1/8F X 1/4M
22	15006001	FLANGIA GRIGOLY VALVOLA SIC.	FLANGE GRIVORY VALVE	JOINT GRIVORY VANNE	FLANSCH GRIVORY VENTIL
23	12300000	GUARNI ZI ONE OR 3156 VITON X PISTONI	ORING VITON	JOINT OR VITON	ORDICHTUNG VITON
24	56155	VALVOLA V. A. R. VAPORE	V. A. R. STEAM VALVE	VANNE V. A. R. VAPEUR	DAMPFDOSIERVENTIL
25	257393	RACCORDO DRI TTO 3/8 X 1/2 OTTONE	FITTING 3/8 X 1/2	RACCORD 3/8 X 1/2	ANSCHLUSSTUCK 3/8 X 1/2
26	20306	TERMOSTATO SONDA NTC ES 13	THERMOSTAT	THERMOSTAT	TERMOSTAT
27	12151	GUARNI ZI ONE CU DOSATORE 13X10. 2X1. 5	CU GASKET FOR SAE DOSER 13X10. 2X1. 5	JOINT CU DE DOSEUR SAE 13X10. 2X1. 5	CU DICHTUNG FÜR SAE DOSIERANLAGE
28	15478001	TUBO SILICONE 8X11 TAGLIATO 70CM	SILICONE TUBE 8X11	TUYAU SILICONE 8X11	SILIKONROHR 8X11
29	56009980	ASSEMBLE PROTEZIONE VALVOLE SICUREZZA	UNIT PROTECTION VALVE	ENSEMBLE PROTECTION VANNE	SATZ-SCHUTZGITTERVENTIL



Pos	Cod.	Denominazione - IT -	Denomination - GB -	Denomination - FR -	Denomination - DE -
1	23049	DADO OTTONE M8 UNI 5587	BRASS NUT M8 UNI 5587	ECROU LAI TON M8 UNI 5587	MESSING-SCHRAUBENMUTTER M8 UNI 5587
2	77686034	PROTEZIONE RESI STENZA	HEATING ELEMENT GUARD	PROTECTEUR RESI STANCE	ABDECKUNG WIDERSTAND
3	4517012	RESI STENZA 1GR 230/380V 2700W 6P NI	HEAT. ELEMENT 1GR 230/380V 2700W 6PNI	RESI STANCE 1GR 230/380V 2700W 6P NI	HEIZKÖRPER 1GR 230/380V 2700W 6P NI
4	12001	GUARNI ZI ONE TEFLON VERGINE X RES/SCA 58X	TEFLON GASKET ELEMENT/EXCH. 58X43X2	JOINT TEFLON RESIST/ECHANG. 58X43X2	TEFLON DICHTUNG 58X23X2
5	23132001	PRI GI ONI ERO I NOX M8 FONDO	M8 STAINLESS STEEL BOTTOM STUD BOLT	PRI SONNI ER I NOX M8 FOND	STIFTSCHRAUBE EDELSTAHL M8 BODEN
6	25681001	RACC. CANNA H2O/VAP E22 NI KEL+CROMO	WATER/STEAM FITTING NI +CR	RACCORD EAU/VAPEUR NI /CR	WASSER/DAMPF FITTING NI +CR
7	52902788	TUBO D-6 L. 85 W67 NI	TUBE D-6 L. 85 W67 NI	TUYAU D-6 L. 85 W67 NI	ROHR D-6 L. 85 W67 NI
8	12100	GUARNI ZI ONE CU/ALIM 1/4 18. 7X13. 2X2. 5	CU GASKET 1/4 18. 7X13. 2X2. 5	JOINT CU 1/4 18. 7X13. 2X2. 5	CU DICHTUNG 1/4 18. 7X13. 2X2. 5
9	45239996	RACCORDO 1/2 T NI	FITTING 1/2 T NI	RACCORD 1/2 T NI	FITTING 1/2 T NI
10	12105	GUARNI ZI ONE CU/ALIM 1/2 GAS	CU GASKET 1/2 GAS	JOINT CU 1/2 GAZ	CU DICHTUNG 1/2 GAS
11	25781	TAPPO FEMMINA 3/8	FEMALE CAP 3/8	BOUCHON FEMELLE 3/8	STOPFEN 3/8
12	12402	GUARNI ZI ONE PASTI CCA KLINGERSI L4400 15X3	GASKET KLINGERSI L4400 15X3	JOINT KLINGERSI L4400 15X3	DICHTUNG KLINGERSI L4400 15X3
13	12101	GUARNI ZI ONE CU/ALIM 3/8 22X17X3	3/8 22X17X3 FEEDER/COPPER SEAL	JOINT CUIVRE/ALIM 3/8 22X17X3	KUPFERDICHTUNG/SPEIS. 3/8 22X17X3
14	4543033	RACCORDO "T" 3/8X3/8X1/4 NI	3/8 X 3/8 T FITTING NI ETL	RACCORD 3/8 X 3/8 T NI ETL	ANSCHLUSS 3/8 X 3/8 T NI ETL
15	45622301	CALDAIA 2GR 7L NI	BOILER 2GR 7L NI	CHAUDIERE 2GR 7L NI	KESSEL 2GR 7L NI
16	20258	SONDA LIVELLO TL 10/B TFL L150 900024	LEVEL PROBE TL 10/B TFL L150 900024	SONDE NIVEAU TL 10B TFL L150 900024	NIVEAUSONDE TL 10B TFL L150 900024
17	20251	SONDA LIVELLO TL 10/B L125 908600	TL 10/B L125 900000 LEVEL PROBE	JAUGE TL 10/B L125 900000	PEGELFÜHLER TL 10/B L125 900000
18	12154	GUARNI ZI ONE CU 3/8 22X17X1. 5	3/8 22X17X1. 5 COPPER SEAL	JOINT CUIVRE 3/8 22X17X1. 5	KUPFERDICHTUNG 3/8 22X17X1. 5
19	20352001	VALVOLA DI SICUREZZA SIG. NI ETL	SIG. SAFETY VALVE NI ETL	VANNE DE SECURITE JOINT NI ETL	SICHERHEITSVENTIL SIG. NI ETL
20	4525785	TAPPO MASCHIO 3/8 NI	MALE CAP 3/8 NI	BOUCHON MALE 3/8 NI	STOPFEN 3/8 NI
21	4525733	RACCORDO OTTONE 1/8X1/4M NI	BRASS FITTING 1/8 X 1/4 NI ETL	RACCORD LAI TON 1/8 X 1/4 NI ETL	MESSING FITTING 1/8X1/4 NI ETL
22	15006001	FLANGIA GRIGOLY VALVOLA SI C.	FLANGE GRIVORY VALVE	JOINT GRIVORY VANNE	FLANSCH GRIVORY VENTIL
23	12300000	GUARNI ZI ONE OR 3156 VITON X PISTONI	ORING VITON	JOINT OR VITON	ORDICHTUNG VITON
24	4556155	VALVOLA V. A. R. VAPORE NI	V. A. R STEAM VALVE NI	VANNE V. A. R. VAPEUR NI	DAMPFDOSIERVENTIL NI
25	45257393	RACCORDO DRI TTO 3/8X1/2 OTTONE NI	BRASS FITTING 3/8X1/2 NI	RACCORD LAI TON 3/8X1/2 NI	MESSING-ANSCHLUSS 3/8X1/2 NI
26	20306	TERMOSTATO SONDA NTC ES 13	THERMOSTAT NTC ES 13	THERMOSTAT NTC ES 13	TERMOSTAT NTC ES 13
27	12151	GUARNI ZI ONE CU DOSATORE 13X10. 2X1. 5	CU GASKET FOR SAE DOSER 13X10. 2X1. 5	JOINT CU DE DOSEUR SAE 13X10. 2X1. 5	CU DICHTUNG FÜR SAE DOSIERANLAGE
28	15478001	TUBO SILICONE 8X11 TAGLIATO 70CM	SILICONE TUBE 8X11	TUYAU SILICONE 8X11	SILIKONROHR 8X11
29	56009980	ASSEMBLE PROTEZIONE VALVOLE SICUREZZA	UNIT PROTECTION VALVE	ENSEMBLE PROTECTION VANNE	SATZ-SCHUTZGITTER VENTIL

ACAP

INDICE - INDEX - SOMMAIRE - VERZEICHNIS

ACAP-01

**BECCUCCI CAFFE' e CAPPUCCINATORE - COFFEE SPOUT and CAPPUCCINO
BEC CAFE et CAPPUCCINO - KAFFEE AUSGUSS und CAPPUCCINO**

STANDARD

ACAP-10

**BECCUCCI CAFFE' e CAPPUCCINATORE - COFFEE SPOUT and CAPPUCCINO
BEC CAFE et CAPPUCCINO - KAFFEE AUSGUSS und CAPPUCCINO**

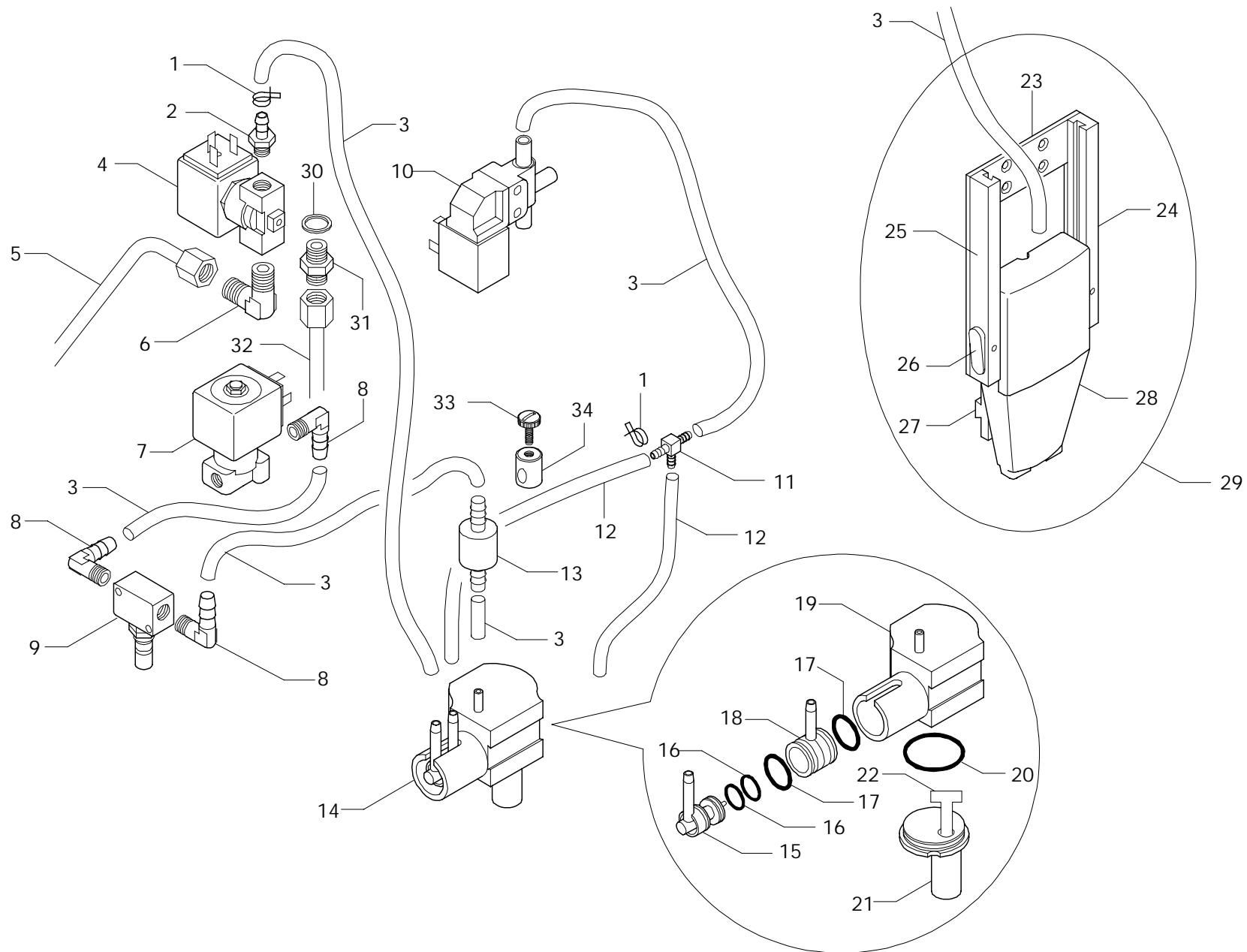
SELF-SERVICE

*Beccucci caffè e
Cappuccinatore*

*Coffee spout
and Cappuccino*

*Bec cafe et
Cappuccino*

*Kaffe ausguss
und Cappuccino*



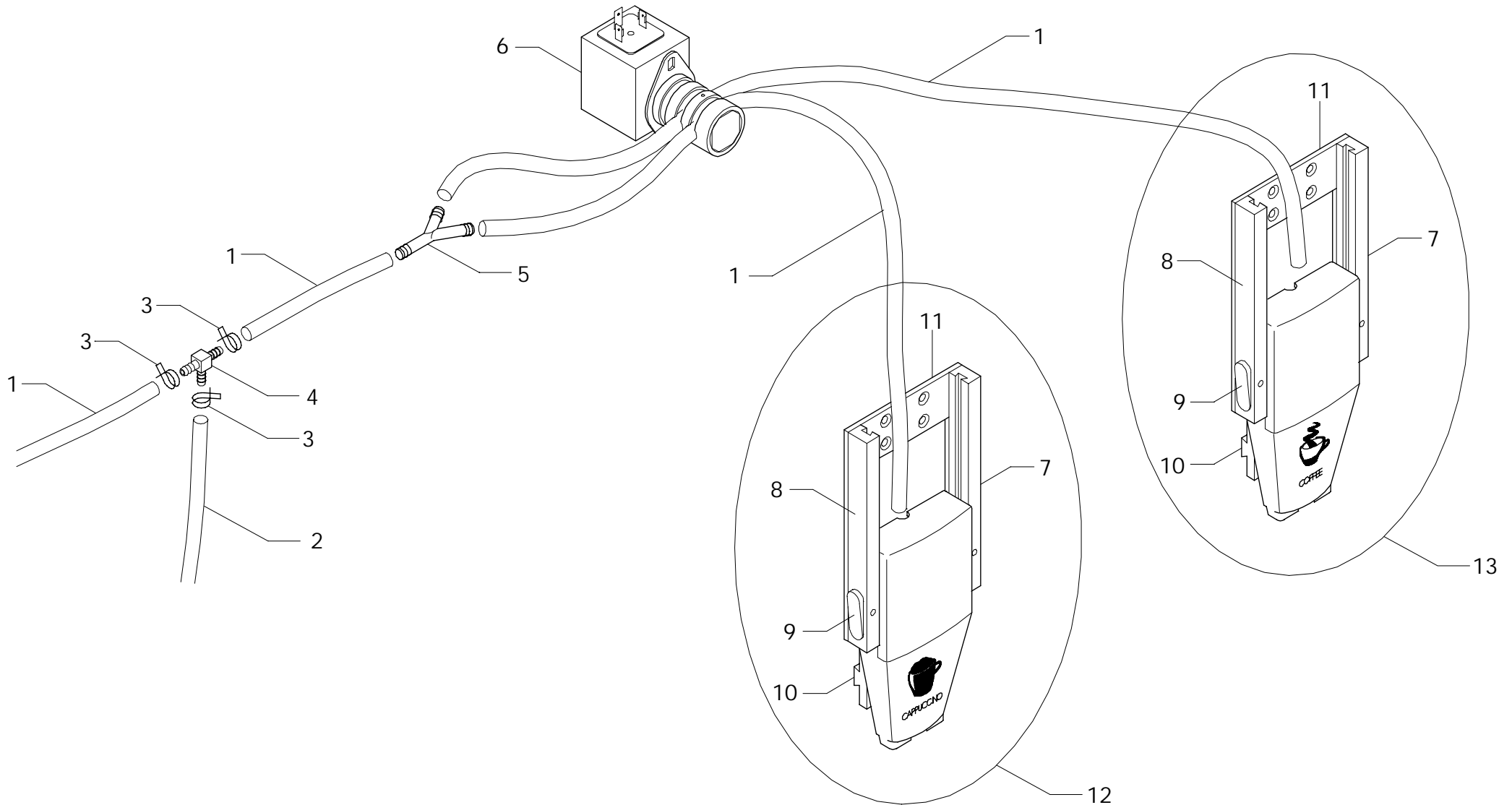
STANDARD

BECCUCCI CAFFE' e CAPPUCCINATORE - COFFEE SPOUT and CAPPUCCINO BEC CAFE et CAPPUCCINO - KAFFEE AUSGUSS und CAPPUCCINO

ACAP-01

rev. 01
12/2002

Pos	Cod.	Denominazione - IT -	Denomination - GB -	Denomination - FR -	Denomination - DE -
1	15056001	FASCETTA BI FI LARE A MOLLA D. 8, 8-9, 3	CLAMP D. 8, 8-9, 3	COLLIER D. 8, 8-9, 3	SCHELLE D. 8, 8-9, 3
2	25725001	RACCORDO PORTAGOMMA 1/4	1/4 HOSE FITTING	RACCORD PORTE-TUYAU 1/4	ANSCHLUSS SCHLAUCHHALTER 1/4
3	15476001	TUBO SILI CONE 4X8 KGXMT O. 044	SILI CONE PIPE 4X8 KGXO. 044M	TUBE SILI CONE 4X8 KGXMT O. 044	SILIKONSCHLAUCH 4X8 KGXMT O. 044
4	18161990	ELETTROVALV. VAPORE 230V VE140DRA. 5 ZB09	VE140DRA. 5 ZB09 1/4 230V STEAM SOLENOID	ELECTROVANNE VAPEUR VE14DRA. 5 ZB09 1/4 2	ELEKTROVENTIL DAMPF VE140DRA. 5 ZB09 1/4
5	52003863	TUBO D-8 L. 395 MK 14	TUBE D-8 L. 395	TUYAU D-8 L. 395	ROHR D-8 L. 395
6	23203	RACCORDO OTT. GOM. D6. 2 1/4X1/4 CON	ELBOW BRASS CONNECTOR D6. 2 1/4X1/4	RACCORD COUDE LAITON D6. 2 1/4X1/4	MESSING-ANSCHLUSS D6. 2 1/4X1/4
7	18162	ELETTROVALVOLA 230V AEA VE140. 21R VDE/UL	SOL. VALVE WATER REFILL 230V PARKER	ELECTROVANNE REA 230V PARKER	ELEKTROVENTIL AMZ 230V PARKER
8	4523216	RACCORDO OTT. GOM. 1/8M CON+P. GOMMA D6 NI	FITTING 1/8	RACCORD 1/8	ANSCHLUSSSTUECK 1/8
9	30499	REGOLATORE ARI A	AIR REGULATOR	REGULATEUR DE AIR	REGLER
10	18173002	ELETTROVALVOLA DEV. SI RAI D318V01CZ610A 2	SOL. VALVE DEVIATION D311 V14 230V	EL. VANNE SI RAI D311 V14 6Y 230V	UMLEITUNGVENTIL SI RAI D311 V14 230V
11	15422011	RACCORDO "Y" POLI PROPYLENE D-8 NERO	"Y" POLYPROPYLENE FITTING	RACCORD "Y" POLYPROPYLENE	ANSCHLUSS "Y" POLYPROPYLENE
12	15476002	TUBO SILI CONE 3X7 KGXMT O. 04	SILI CONE PIPE 3X7 KGXO. 04M	TUBE SILI CONE 3X7 KGXMT O. 04	SILIKONSCHLAUCH 3X7 KGXMT O. 04
13	20358002	VALVOLA NON RI TORNO	CHECK VALVE	SOUPAPE DE NON RETOUR	ABSPERRVENTIL
14	30513002	CAPPUCCINATORE COMPLETO	COMPLETE CAPPUCCINO MAKER	KIT CAPPUCCINO COMPLET	CAPPUCCINO ZUBEREITER
15	28169002	INIEETTORE MISCVAPORE OR. EN PLA0105	MIX/STEAM INJECTOR OR	INJECTEUR VAPEUR CAPPUCCINO	EINSPIRITZUESE CAPPUCCINO-ZUBEREITER
16	12300012	GUARNI ZI ONE OR 2050 12, 42X1, 78 CAPPUCCINO	ORING GASKET 2050 12. 42X1. 78 CAPP. FEED	JOINT OR 2050 12, 42X1, 78 CAPPUCCINO	ORDICHTUNG 12, 42X1, 78 CAPPUCCINO
17	12609	GU OR 118 SILI C. ROSSO 13. 94X2. 62	GASKET OR 118 SILI C. RED 13. 94X2. 62	JOINT OR 118 SILI C. ROUGE 13. 94X2. 62	OR-DICHTUNG 118 SILI C. ROT 13. 94X2. 62
18	28410007	INIEETTORE LATTE CAPPUCCINATORE	MILK INJECTOR USA CAPP. EKO	INJECTEUR LAIT CAPPUCCINO	EINSPIRITZUESE MILCH CAPPUCCINO
19	28410005	CORPO CAPPUCCINATORE	BODY CAPPUCCINO	CORPS ACCESSOIRE CAPPUCCINO	KORPER CAPPUCCINO-ZUBEREITER
20	12324	GUARNI ZI ONE OR 30X3 SILI CONE ROSSO	ORING GASKET 30X3	JOINT OR EN SILI CON ROUGE 30X3	OR-DICHTUNG 30X3
21	28410006	BECCUCCI O USCITA CAPPUCCINO	CAPPUCCINO OUTLET SPOUT	BEC SORTIE CAPPUCCINO	AUSFLUSS CAPPUCCINO
22	28410004	SEPARATORE LATTE CAPPUCCINATORE	MILK-SEPARATOR FOR CAPPUCCINO MAKER	SEPARATEUR LAIT CAPPUCCINO	MILCHSCHEIDER CAPPUCCINO
23	78210601	SUPPORTO GUIDA BECCUCCI	SPOUT GUIDE SUPPORT	SUPPORT GLISSIERES BECS	HALTER AUSLASS-SCHIEBEN
24	15491006	GUIDA BECCUCCI SCORREVOLE DESTRA	RIGHT SLIDING SPOUT GUIDE	GLISSIERE DROITE BECS	AUSLASS-SCHIEBEN RECHTS
25	15491005	GUIDA BECCUCCI SCORREVOLE SINISTRA	LEFT SLIDING SPOUT GUIDE	GLISSIERE GAUCHE BECS	AUSLASS-SCHIEBEN LINKS
26	15491007	FERMO GUIDA BECCUCCI O	SPOUT GUIDE STOP	ARRET GLISSIERE BEC	ANSCHLAG AUSLASS-SCHIEBEN
27	15491008	SUPP. CAPPUCCINATORE MY/KT	SUPP. CAPPUCCINATORE MY/KT	SUPP. CAPPUCCINATORE MY/KT	SUPP. CAPPUCCINATORE MY/KT
28	25327100	BECCUCCI O USCITA CAFFE'	COFFEE SPOUT	BEC CAFE	KAFFEE AUSGUSS
29	30514000	ASS. BECCUCCI O SCORREVOLE	SLIDING SPOUT	BEC COULISSANT	SCHIEBEN-AUSFLUSS
30	12153	GUARNI ZI ONE CU 1/4 17X13. 3X1. 5	1/4 17X13. 3X1. 5 COPPER SEAL	JOINT CUIVRE 1/4 17X13. 3X1. 5	KUPFERDICHTUNG 1/4 17X13. 3X1. 5
31	25686	RACCORDO 1/4X1/4 FLANGIA	CONNECTOR 1/4 X 1/4 FLANGE	RACCORD 1/4 X 1/4 BRIDE	ANSCHLUSS 1/4X1/4 FLANSCH
32	52003866	TUBO D-8 L. 105 MK 18	TUBE D-8 L. 105 MK 18	TUYAU D-8 L. 105 MK 18	ROHR D-8 L. 105 MK 18
33	23750	VITE GODRONATA M6X15	KNURLED SCREW M6X15	VIS M6X15	SCHRAUBE M6X15
34	15422013	REGOLATORE LATTE	MILK REGULATOR	REGULATEUR LAIT	MILCHREGLER



Pos	Cod.	Denominazione - IT -	Denomination - GB -	Denomination - FR -	Denomination - DE -
1	15476	TUBO SI LI CONE 5X8 KGXMT O. 044	5X8 SI LI CONE PI PE	TUYAU SI LI CONE 5X8 KGXMT O. 04	SI LI KONROHR 5X8 KGXMT O. 044
2	15476002	TUBO SI LI CONE 3X7 KGXMT O. 04	SI LI CONE PI PE 3X7 KGXO. 04M	TUBE SI LI CONE 3X7 KGXMT O. 04	SI LI KONSCHLAUCH 3X7 KGXMT O. 04
3	15056	FASCETTA BI FI LARE A MOLLA D. 6, 6-7	BI FI LAR SPRI NG CLI P D. 6, 6-7	COLLI ER D. 6, 6-7	SCHELLE D. 6, 6-7
4	15422011	RACCORDO "Y" POLI PROP I LENE D-8 NERO	"Y" POLYPROPYLENE FI TTI NG	RACCORD "Y" POLYPROPYLENE	ANSCHLUSS "Y" POLYPROPYLENE
5	15422005	RACCORDO "Y" POLI PROP I LENE D-8 ART. 466	CONNECTOR "Y" POLYPROPYLENE D-8	RACCORD "Y" POLYPROP. D8 ART. 466	ANSCHLUSSTUCK "Y" D-8 ART. 466
6	18140009	ELETTROVALVOLA PI NZA 2VI E S30703 2W Z110	SOL. VALVE 2 PI NCHCOCKS S30703 2W Z110A 2	ELECTROVANNE 2 PI NCES S30703 2W Z110A 23	ELEKTROVENTIL S30703 2W Z110A 230VCC
7	15491006	GUI DA BECCUCCI SCORREVOLE DESTRA	RI GHT SLI DI NG SPOUT GUI DE	GLI SSI ERE DROI TE BECS	AUSLASS-SCHI ENE RECHTS
8	15491005	GUI DA BECCUCCI SCORREVOLE SI NI STRA	LEFT SLI DI NG SPOUT GUI DE	GLI SSI ERE GAUCHE BECS	AUSLASS-SCHI ENE LI NKS
9	15491007	FERMO GUI DA BECCUCCI O	SPOUT GUI DE STOP	ARRET GLI SSI ERE BEC	ANSCHLAG AUSLASS-SCHI ENE
10	15491008	SUPPORTO CAPPUCCI NATORE	CAPPUCCI NO SUPPORT	SUPPORT CAPPUCCI NO	CAPPUCCI NO HALTER
11	78210601	SUPPORTO GUI DE BECCUCCI	SPOUT GUI DE SUPPORT	SUPPORT GLI SSI ERES BECS	HALTER AUSLASS-SCHI ENEN
12	30514002	BECCUCCI O SCORREVOLE CAPPUCCI NO	CAPPUCCI NO SLI DI NG SPOUT	BEC COULI SSANT CAPPUCCI NO	CAPPUCCI NO SCHI EBE-AUSFLUSS
13	30514001	BECCUCCI O SCORREVOLE CAFFE	COFFEE SLI DI NG SPOUT	BEC COULI SSANT CAFE	KAFFEE SCHI EBE-AUSFLUSS

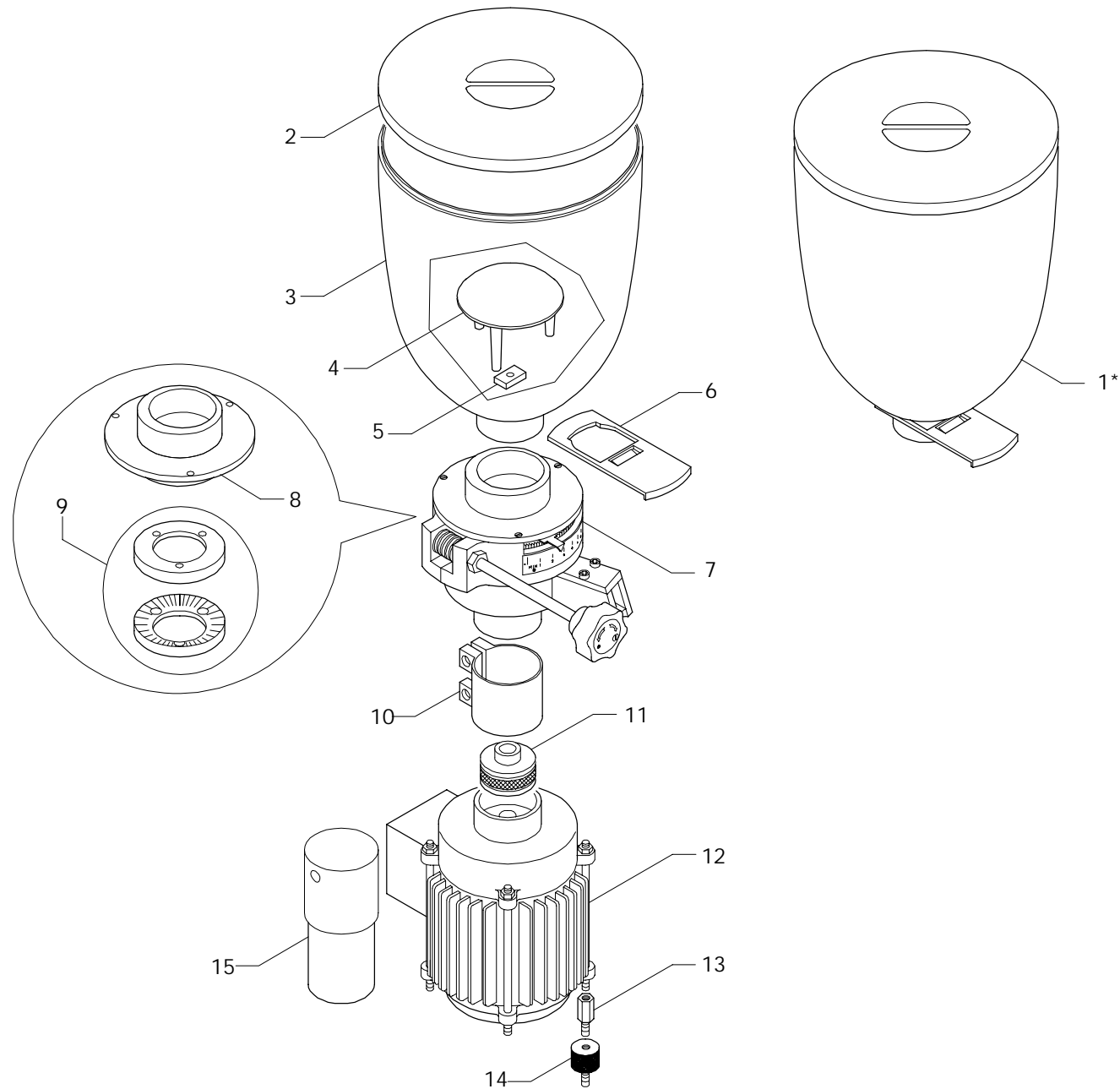
AMAC

INDICE - INDEX - SOMMAIRE - VERZEICHNIS

AMAC-01

**MACINADOSATORE - COFFEE GRINDER
MOULIN DOSEUR - KAFFEEMUHLE**

*Macinadosatore
Coffee grinder
Moulin doseur
Kaffeemuhle*



Macinadosatore - Coffee grinder
Moulin doseur - Kaffeemuhle

MACINADOSATORE - COFFEE GRINDER
MOULIN DOSEUR - KAFFEEMUHLE

AMAC-01

rev. 01
12/2002

Pos	Cod.	Denominazione - IT -	Denomination - GB -	Denomination - FR -	Denomination - DE -
1	28357001	TRAMOGGI A COMPLETA K392 MAC. ASC	HOPPER COMPLETE FOR K6	TREMI E POUR MOULIN K392	TRICHTER KAFFEEMUHLE K392
2	28054002	COPERCHIO TRAMOGGI A K004 MAC. ASC	COFFEE GRINDER HOPPER	COUVERCLE TREMI E MOULIN	TRICHTERDECKEL DER KAFFEEMUEHLE
3	28357	TRAMOGGI A K003 MAC. ASC	HOPPER K003 A.	TREMI E K003 A.	TRICHTER KAFFEEMUHLE ASC. K003
4	28360013	PROTEZIONE MANI K006 MAC. ASC	ACCIDENT PREVENTION	PREVENTION DES ACCIDENTS	ARBEITSSCHUTZ
5	28206000	MAGNETE TRAMOGGI A K037 MAC. ASC	HOPPER MAGNETO	MAGNETO TREMI E	MAGNET FUR TRICHTER
6	28326004	SERRANDA TRAMOGGI A K005 MAC. ASC	CLOSSING SHEET	TOLE DE FERMETURE	SCHLUSSBLECH
7	26160001	MACINI NO DESTRO	RIGHT GRINDER	MOULIN A CAFE DROIT	RECHTE MUEHLE
7	26160002	MACINI NO SINISTRO	LEFT GRINDER	MOULIN A CAFE GAUCHE	LINKE MUEHLE
8	15491012	COPERTURA MACINE MAC.	COVER GRINDSTONES	COUVERTURE MEULES	DECKE STAHLMUHLE
9	28234	COPPIA MACINE MAC. DX D. 63. 8 ACC. BOHLER	STEEL RIGHT GRINDSTONES D63. 8	MEULES DROIT D63. 8 INOX	RECHTE STAHLMUHLE D63. 8 VD55
10	25374	COLLARE FISSAGGIO MACINI NO	GRINDER FIXING COLLAR	COLLIER DE FIXATION MOULIN A CAFE	BEFESTIGUNGSKRAGEN MUEHLE
11	10291	GIUNTO ELASTICO X MACINI NO	ELASTIC JOINT FOR GRINDER	JOINT ELASTIQUE X MOULIN	KUPPLUNG FUR KAFFEEMUHLE
12	18320	MOTORE MACINI NO ZEC 230V	ZEC 230V GRINDER MOTOR	MOTEUR MOULIN A CAFE ZEC 230V	MUEHLENMOTOR ZEC 230V
13	25419002	DI STANZIALE MACCHINA 2GR	2GR COFFEE MACHINE SPACER	ENTRETOISE MACHINE A CAFE 2GR	DI STANZSTUECK KAFFEEMASCHINE 2GR
14	15104	GOMMI NO AMMORTIZZATORE MACINI NO	SHOCK-ABSORBER	AMORTISSEUR	STOSSDAMPFER
15	19061	CONDENSATORE MACINI NO 16MF	COFFEE GRINDER CAPACITOR 16.5MF	CONDENSATEUR MOULIN 16.5MF	KONDENSATOR FUR KAFFEEMUHLE 16.5MF

MACINADOSATORE - COFFEE GRINDER - MOULIN DOSEUR - KAFFEEMUHLE

INDICE - INDEX - SOMMAIRE - VERZEICHNIS

AELE-01

**IMPIANTO ELETTRICO - ELECTRICAL SYSTEM
CIRCUIT ELECTRIQUE - STROM ANLAGE**

STANDARD

AELE-10

**IMPIANTO ELETTRICO - ELECTRICAL SYSTEM
CIRCUIT ELECTRIQUE - STROM ANLAGE**

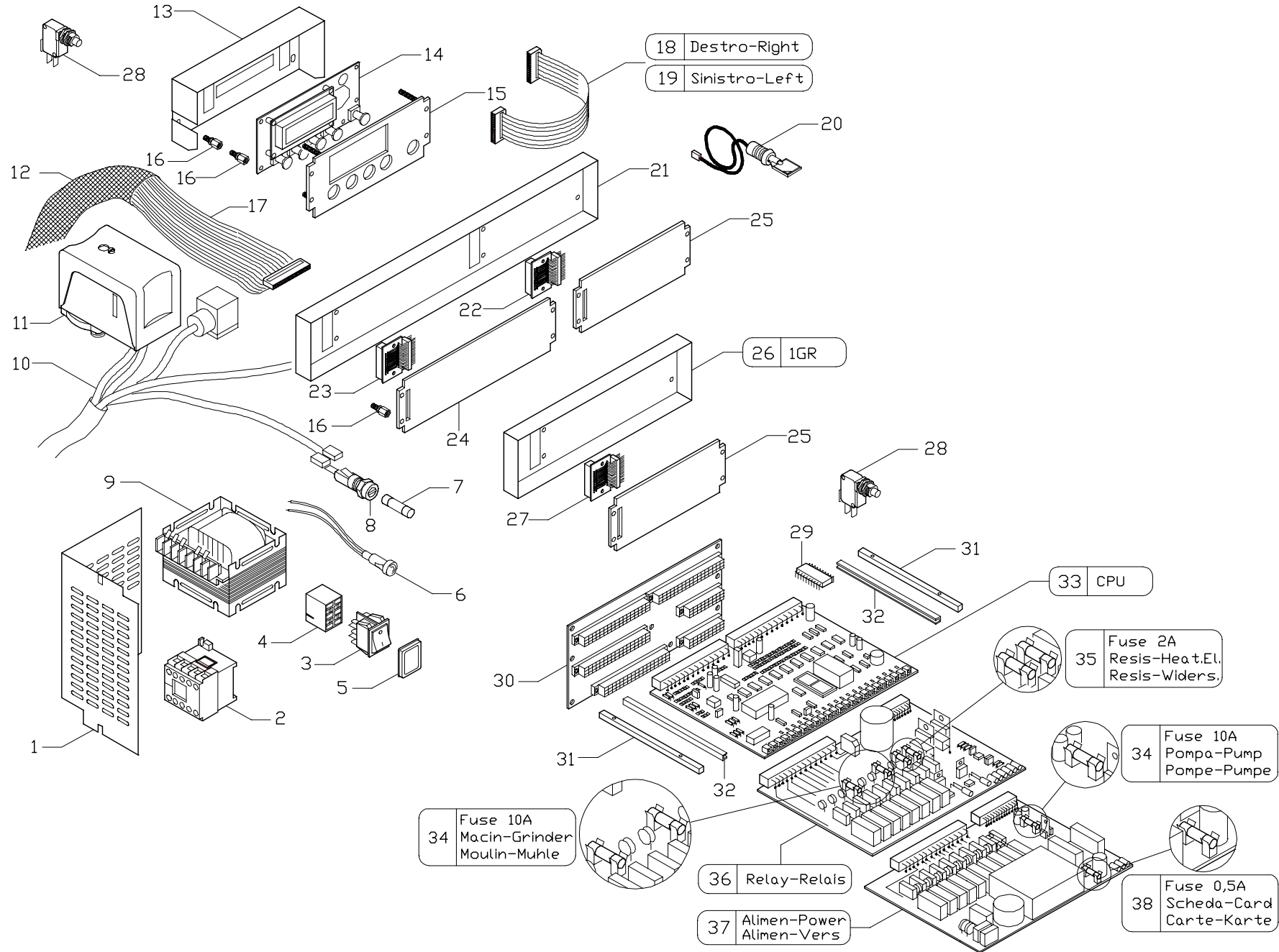
SELF-SERVICE

*Impianto
elettrico*

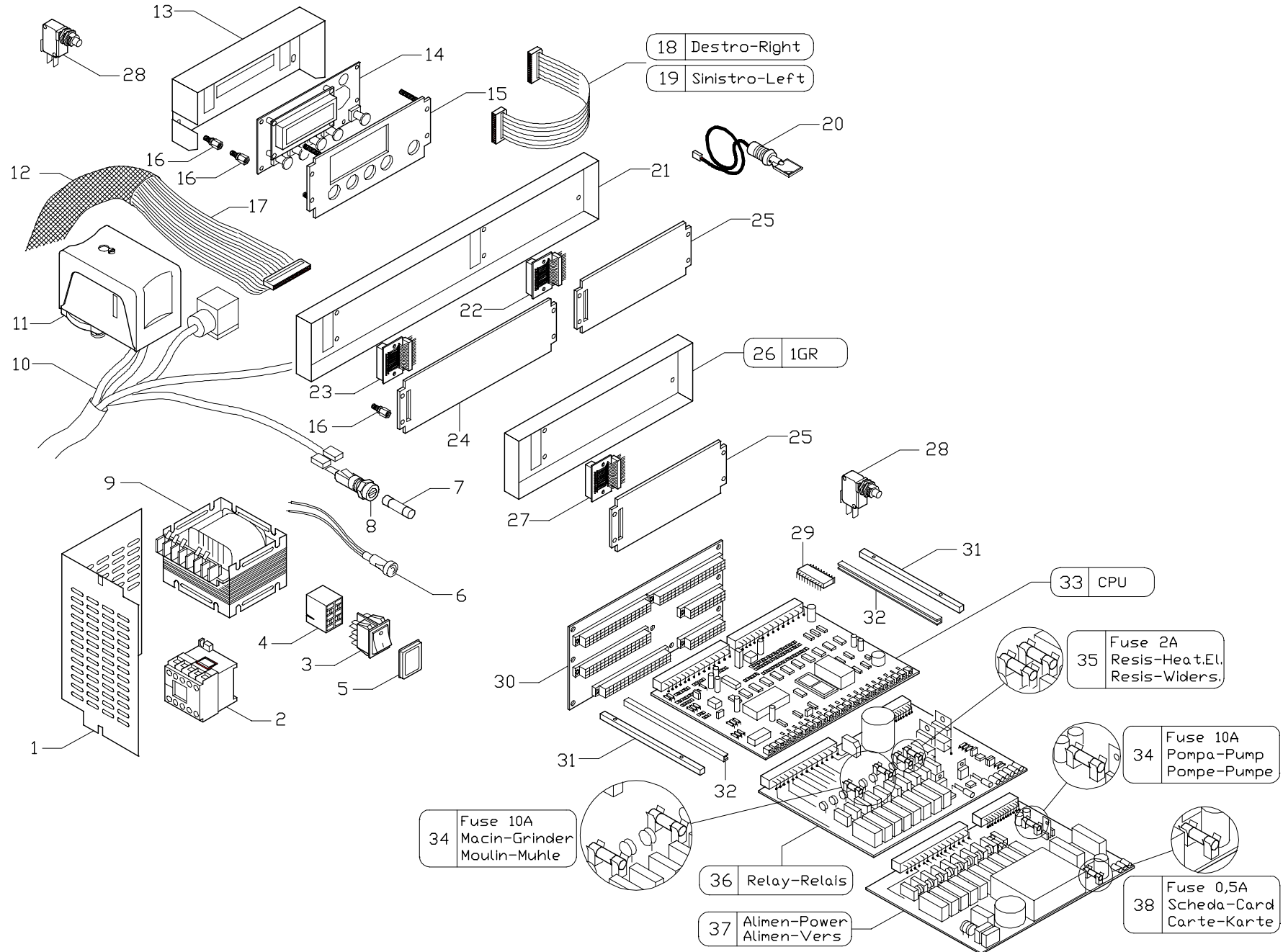
*Electrical
system*

*Circuit
electrique*

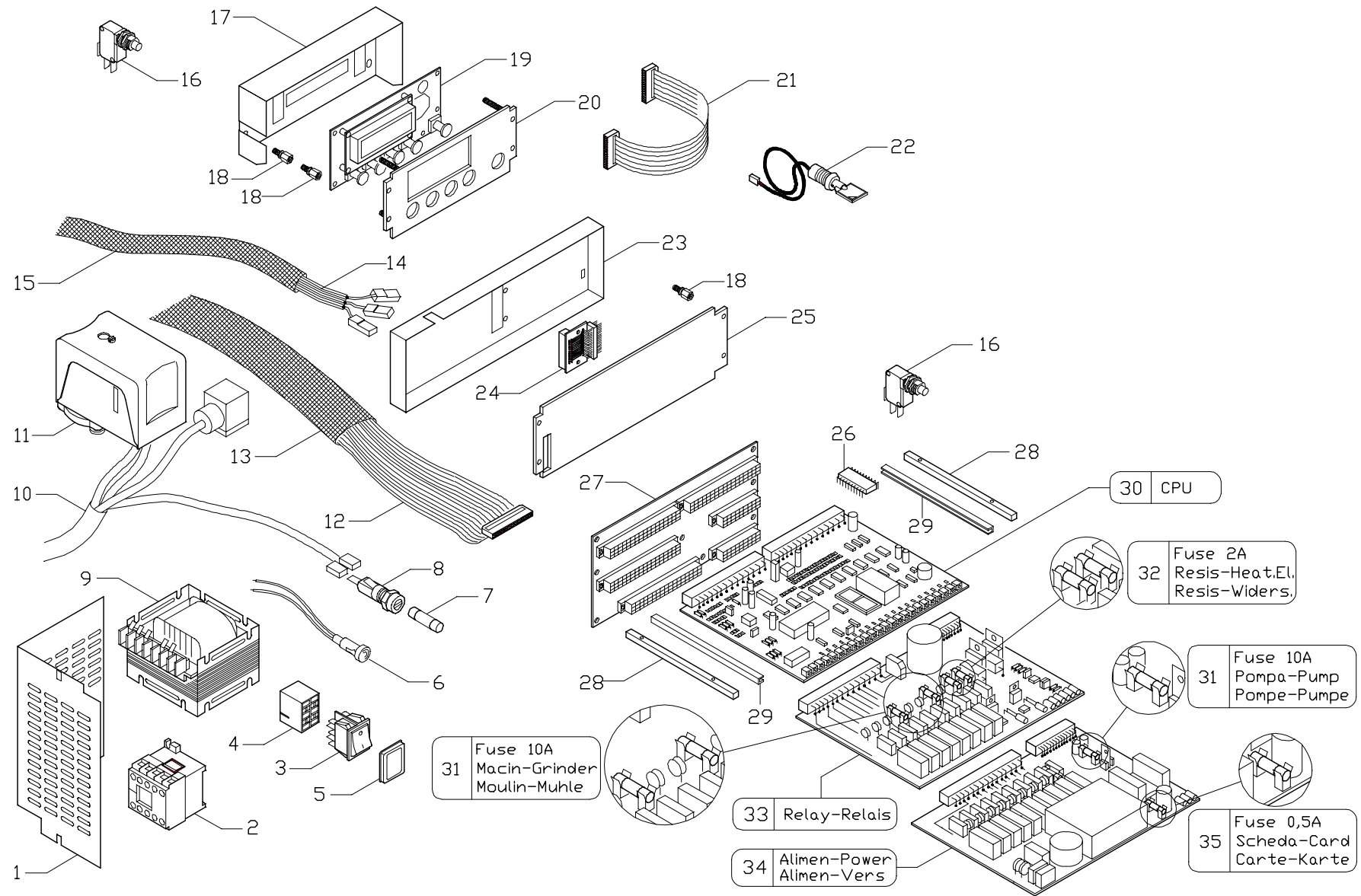
Strom-anlage



Pos	Cod.	Denominazione - IT -	Denomination - GB -	Denomination - FR -	Denomination - DE -
1	77686006	PROTEZIONE TRASFORMATORE 1/2M	1/2M TRANSFORMER GUARD	PROTECTEUR TRANSFORMATEUR 1/2M	ABDECKUNG TRANSFORMATOR 1/2M
2	20299	TELERUTTORE CA4. 9. 10. 53 220V	REM. CONTR. SWITCH CA4. 9. 10. 53 220V	TELERUPTEUR CA4-9-10. 53 220V TIT	FERNSCHALTER CA4. 9. 10. 53 220V TIT
3	18260	INTERRUTTORE BIPOLARE LUMINOSO ROSSOB418	B418C1G210000 LUMINOUS RED BIPOLAR	INTER. BIP. LUMINEUX ROUGE B418C1G210	ZWEIPOLIGER ROTER LEUCHTSCHALTER B418C1
4	15072	CONNETTORE PER CABLAGGI B4CNT	CONNECTOR FOR CABLE	CONNECTEUR POUR CABLAGE	VERKABELUNG STECKVERBINDUNG
5	19049	COPERTURA INTERRUTTORE B4	SWITCH COVER B4	PROTECTION INTERRUPTEUR	SCHALTER ABD. B4
6	21021	LAMPADA SPIA 12V 2132A8000T	RED WARNING LIGHT 12V	LAMPE TEMOIN ROUGE 12V	ROTE KONTROLLAMPE 12V ART. 319000
7	19103	FUSIBILE 5X20 6. 3A ST520263 OMEGA	FUSE 5X20 6. 3A ST520263 OMEGA	FUSIBLE 5X20 6. 3A ST520263 OMEGA	SCHMELZSICHERHEIT OMEGA 5X20 ST520263
8	19122	PORTAFUSIBILE P2300 10A 250V OMEGA	FUSE HOLDER P2300 10A 250V OMEGA	PORTE-FUSIBLE P2300 10A 250V OMEGA	SICHERUNGSHALTER P2300 10A 250V OM.
9	18556	TRASFORMATORE 100VA 220/110 USCITA 890	TRANSF. 100VA 50/60 220/110 OUTPUT24	TRANSF. 100VA 50/60 220/110 SORTIE24	WANDLER 100VA 50/60 220/110
10	22715800	CABLAGGIO ALIMENTAZIONE	POWER WIRING	CABLAGE ALIMENTATION	VERKABELUNG VERSORGUNG
10	22715801	CABLAGGIO MACININO	GRINDER WIRING	CABLAGE MOULIN A CAFE	VERKABELUNG MUEHLE
10	22715802	CABLAGGIO RESISTENZA	HEATING ELEMENT WIRING	CABLAGE RESISTANCE	VERKABELUNG WIDERSTAND
10	22715803	CABLAGGIO CAPPUCCIATORE	CAPPUCCINO-MAKER WIRING	CABLAGE ACCESSOIRE CAPPUCCINO	VERKABELUNG CAPPUCCINO-ZUBEREITUNG
10	22715804	CABLAGGIO BASSA TENSIONE	LOW VOLTAGE WIRING	CABLAGE BASSE TENSION	NIEDERSpannungskabel
10	22715805	CABLAGGIO ALTA TENSIONE	HIGH VOLTAGE WIRING	CABLAGE HAUTE TENSION	HOCHSPANNUNGSKABEL
10	22715806	CABLAGGIO CAPPUCCIATORE DESTRO	CAPPUCCINO RIGHT WIRING	CABLAGE CAPPUCCINO DROIT	VERKABELUNG CAPPUCCINO RECHTE
10	22715809	CABLAGGIO 2 VAPORE	2 STEAM WIRING	CABLAGE 2 VAPEUR	VERKABELUNG 2 DAMPF
11	20150	PRESSOSTATO SECCO SIRAIP302/6	SIRAIP302/6 DRY PRESSURE SWITCH	PRESSOSTAT SEC SIRAIP302/6	TROCKENDRUCKWÄCHTER SIRAIP302/6
12	15138	GUAINA POLIAMMIDE D. 40 - ROT. MT. 50	SHEATH POLYAMIDE D. 40	GAINEPOLYAMIDE D. 40 - ROT. MT. 50	MANTEL POLIAMMIDE D. 40 - ROT. MT. 50
13	77686030	PROTEZIONE DISPLAY	DISPLAY GUARD	PROTECTEUR AFFICHEUR	ABDECKUNG DISPLAY
14	18090024	SCHEDA DISPLAY	DISPLAY CARD	CARTE AFFICHEUR	DISPLAY-KARTE
15	78043011	SUPPORTO DISPLAY	DISPLAY SUPPORT	SUPPORT AFFICHEUR	HALTER DISPLAY
16	25416	DISTANZALE CENTRALINA L10 1235. BBOO	1235. BBOO CONTROL UNIT SPACER 10L	ENTRETOISE CENTRALE L10 1235. BBOO	DISTANZSTUECK STEUEREINHEIT L10 1235. BBO
17	22562	CAVO COLLEGAMENTO DISPLAY SCH. CONN.	CABLE DISPLAY	CABLE DISPLAY	VERDRAHTUNG DISPLAY
18	22561	CAVO COLLEGAMENTO GRUPPO DESTRO DISPLAY	RIGHT DISPLAY UNIT CONNECTING CABLE	CABLE ALIMENTATION GROUPE DROIT AFFICHEUR	ANSCHLUSSKABEL RECHTE EINHEIT - DISPLAY
19	22560	CAVO COLLEGAMENTO GRUPPO SINISTRO DISPLAY	LEFT DISPLAY UNIT CONNECTING CABLE	CABLE ALIMENTATION GROUPE GAUCHE AFFICHEUR	ANSCHLUSSKABEL LINKE EINHEIT - DISPLAY
20	22723003	CAVO PROGRAMM. ANTICHIESTA L50	PROGRAMM CABLE + SWITCH	PETIT CABLE PROGRAMMATION + INT	PROGRAMMKABEL + SCHALTER AUT.
21	77686032	PROTEZIONE PULSANTI ERA DESTRA-SINISTRA	LEFT-RIGHT PUSH BUTTON PANEL GUARD	PROTECTEUR CLAVIER DROIT-GAUCHE	ABDECKUNG RECHTE-LINKE BEDIENTENBLENDE
22	18090027	C. S. APPOGGIO GRUPPO DESTRO 02. 52. 0111	02. 52. 0111 RIGHT UNIT ELECTRONIC CARD SL	SOCLE ENCLenchement GROUPE DROIT 02. 52. 0	STECKLEISTE RECHTE EINHEIT 02. 52. 0111
23	18090026	C. S. APPOGGIO GRUPPO SINISTRO+CAPP. 02. 52	02. 52 CAPP. +LEFT UNIT ELECTRONIC CARD SL	SOCLE ENCLenchement GROUPE GAUCHE+CAPP. 0	STECKLEISTE LINKE EINHEIT+CAPP. 02. 52
24	78043016	SUPPORTO MEMBRANA PULSANTI ERA	PUSH BUTTON PANEL DIAPHRAGM SUPPORT	SUPPORT MEMBRANE CLAVIER	HALTER MEMBRAN BEDIENTENBLENDE
25	78043017	SUPPORTO MEMBRANA PULSANTI ERA PICCOLA	SMALL PUSH BUTTON PANEL DIAPHRAGM SUPPORT	SUPPORT MEMBRANE PETIT CLAVIER	HALTER MEMBRAN KLEINE BEDIENTENBLENDE
26	77686031	PROTEZIONE PULSANTI ERA SINISTRA	LEFT PUSH BUTTON PANEL GUARD	PROTECTEUR CLAVIER GAUCHE	ABDECKUNG LINKE BEDIENTENBLENDE
27	18090025	C. S. APPOGGIO GRUPPO SINISTRO 02. 52. 0110	02. 52. 0110 LEFT UNIT ELECTRONIC CARD SLO	SOCLE ENCLenchement GROUPE GAUCHE 02. 52.	STECKLEISTE LINKE EINHEIT 02. 52. 0110
28	18250004	MINICROINTERRUTTORE CROUZET 83161318 UL/CS	83161318 CROUZET MICROSWITCH	MICRO-INTERRUPTEUR CROUZET 83161318	MIKROSCHALTER CROUZET 83161318
29	18199006	EPR0M 27C512	EPR0M 27C512	EPR0M 27C512	EPR0M 27C512
30	18090020	SCHEDA CONNETTORI	CONNECTORS CARD	CARTE CONNECTEURS	VERBINDERKARTE
31	25419003	DISTANZALE GUIDASCHEDA	SPACER CARD GUIDE	ENTRETOISE RAIL CARTES	DISTANZSTUECK SCHIENE FUER KARTEN



Pos	Cod.	Denominazione - IT -	Denomination - GB -	Denomination - FR -	Denomination - DE -
32	15187	GUI DA SCHEDE	CARD GUI DE	RAI L. CARTES	SCHI ENE FUER KARTEN
33	18090023	SCHEDA CPU	CPU CARD	CARTE CPU	CPU-KARTE
34	19104	FUSI BI LE OMEGA 5X20 T-10A	FUSE OMEGA 5X20 T-10A	FUSI BLE OMEGA 5X20 T-10A	SCHMELZSI CHERUNG OMEGA 5X20 T-10A
35	19101	FUSI BI LE 5X20 2A SF520220 OMEGA	FUSE OMEGA 5X20 2A SF520220	FUSI BLE OMEGA 5X20 2A SF520220	SCHMELZSI CH. OMEGA 5X20 2A SF520220
36	18090022	SCHEDA RELÈ	RELAY CARD	CARTE RELAI S	RELAI SKARTE
37	18090021	SCHEDA ALI MENTAZI ONE 220V	220V POWER CARD	CARTE ALI MENTATI ON 220V	VERSORGUNGSKARTE 220V
38	19106	FUSI BI LE OMEGA 5X20 T-500MA	FUSE OMEGA 5X20 T-125MA	FUSI BLE OMEGA 5X20 T-125MA	SCHMELZSI CHERUNG OMEGA 5X20 T-125MA



Pos	Cod.	Denominazione - IT -	Denomination - GB -	Denomination - FR -	Denomination - DE -
1	77686006	PROTEZIONE TRASFORMATORE 1/2M	1/2M TRANSFORMER GUARD	PROTECTEUR TRANSFORMATEUR 1/2M	ABDECKUNG TRANSFORMATOR 1/2M
2	20299	TELERUTTORE CA4. 9. 10. 53 220V	REM. CONTR. SWI TCH CA4. 9. 10. 53 220V	TELERUPTEUR CA4-9-10. 53 220V TI T	FERNSCHALTER CA4. 9. 10. 53 220V TI T
3	18260	I NTERROTORE BI POLARE LUMI NOSO ROSSOB418	B418C1G210000 LUMI NOUS RED BI POLAR	I NTER. BI P. LUMI NEUX ROUGE B418C1G210	ZWEI POLI GER ROTER LEUCHTSCHALTER B418C1
4	15072	CONNETTORE PER CABLAGGI B4CNT	CONNECTOR FOR CABLE	CONNECTEUR POUR CABLAGE	VERKABELUNG STECKVERBI NDUNG
5	19049	COPERTURA I NTERROTORE B4	SWI TCH COVER B4	PROTECTI ON I NTERRUPTEUR	SCHALTER ABD. B4
6	21021	LAMPADA SPI A 12V 2132A8000T	RED WARNI NG LI GHT 12V	LAMPE TEMOI N ROUGE 12V	ROTE KONTROLLAMPE 12V ART. 319000
7	19103	FUSI BI LE 5X20 6. 3A ST520263 OMEGA	FUSE 5X20 6. 3A ST520263 OMEGA	FUSI BLE 5X20 6. 3A ST520263 OMEGA	SCHMELZSI CH. OMEGA 5X20 ST520263
8	19122	PORTAFUSI BI LE P2300 10A 250V OMEGA	FUSE HOLDER P2300 10A 250V OMEGA	PORTE-FUSI BLE P2300 10A 250V OMEGA	SI CHERUNGSHALTER P2300 10A 250V OM.
9	18556	TRASFORMATORE 100VA 220/110 USCI TA24 890	TRANSF. 100VA 50/60 220/110 OUTPUT24	TRANSF. 100VA 50/60 220/110 SORTI E24	WANDLER 100VA 50/60 220/110
10	22715800	CABLAGGI O ALI MENTAZI ONE	POWER WI RI NG	CABLAGE ALI MENTATI ON	VERKABELUNG VERSORGUNG
10	22715801	CABLAGGI O MACI NI NO	GRI NDER WI RI NG	CABLAGE MOULI N A CAFE	VERKABELUNG MUEHLE
10	22715802	CABLAGGI O RESI STENZA	HEATI NG ELEMENT WI RI NG	CABLAGE RESI STANCE	VERKABELUNG WI DERSTAND
10	22715804	CABLAGGI O BASSA TENSI ONE	LOW VOLTAGE WI RI NG	CABLAGE BASSE TENSI ON	NI EDERSPANNUNGSKABEL
10	22715805	CABLAGGI O ALTA TENSI ONE	HI GH VOLTAGE WI RI NG	CABLAGE HAUTE TENSI ON	HOCHSPANNUNGSKABEL
10	22715811	CABLAGGI O ALI M. GETTONI ERA+CAPP.	POWER WI RI NG SELF-SERVI CE+CAPP.	CABLAGE ALI MENTATI ON SELF-SERVI CE+CAPP.	VERKABELUNG VERSORGUNG SELF-SERVI CE+CAPP
10	22715812	CABLAGGI O ALI M. GETTONI ERA	POWER WI RI NG SELF-SERVI CE	CABLAGE ALI MENTATI ON SELF-SERVI CE	VERKABELUNG VERSORGUNG SELF-SERVI CE
11	20150	PRESSOSTATO SECCO SI RAI P302/6	SI RAI P302/6 DRY PRESSURE SWI TCH	PRESSOSTAT SEC SI RAI P302/6	TROCKENDRUCKWACHTER SI RAI P302/6
12	22562	CAVO COLLEGAMENTO DI SPLAY SCH. CONN.	CABLE DI SPLAY	CABLE DI PLAY	VERDRAHTUNG DI SPLAY
13	15138	GUAI NA POLI AMMI DE D. 40 - ROT. MT. 50	SHEATH POLYAMI DE D. 40	GAI NE POLYAMMI DE D. 40 - ROT. MT. 50	MANTEL POLI AMMI DE D. 40 - ROT. MT. 50
14	22567	CAVO CONSENSO GETTONI L. 1700	PERMI SSI VE WI RI NG L. 1700	CABLAGE CONSENTEMENT L. 1700	FREI GABEKABEL L. 1700
15	15141	GUAI NA POLI AMMI DE D. 20	SHEATH POLYAMI DE D. 20	GAI NE POLYAMMI DE D. 20	MANTEL POLI AMMI DE D. 20
16	18250004	MI CROI NTERROTORE CROUZET 83161318 UL/CS	83161318 CROUZET MI CROSWI TCH	MI CRO-I NTERRUPTEUR CROUZET 83161318	MI KROSCHALTER CROUZET 83161318
17	77686030	PROTEZIONE DI SPLAY	DI SPLAY GUARD	PROTECTEUR AFFI CHEUR	ABDECKUNG DI SPLAY
18	25416	DI STANZI ALE CENTRALI NA L10 1235. BBOO	1235. BBOO CONTROL UNI T SPACER 10L	ENTRETOI SE CENTRALE L10 1235. BBOO	DI STANZSTUECK STEUEREI NHEI T L10 1235. BBO
19	18090024	SCHEDA DI SPLAY	DI SPLAY CARD	CARTE AFFI CHEUR	DI SPLAY-KARTE
20	78043011	SUPPORTO DI SPLAY	DI SPLAY SUPPORT	SUPPORT AFFI CHEUR	HALTER DI SPLAY
21	22560	CAVO COLLEGAMENTO GRUPPO SI NI STRO DI SPLA	LEFT DI SPALY UNI T CONNECTI NG CABLE	CABLE ALI MENTATI ON GROUPE GAUCHE AFFI CHE	ANSCHLUSSKABEL LI NKE EI NHEI T - DI SPALY
22	22723003	CAVO PROG+I NT. A CHI AVE L50	PROGRAMM CABLE + SWI TCH	PETI T CABLE PROGRAMMATI ON + I NT	PROGRAMMKABEL + SCHALTER AUT.
23	77686037	PROTEZI ONE PULSANTI ERA GETTONI ERA	PUSH BUTTON PANEL GUARD	PROTECTEUR CLAVI ER	ABDECKUNG BEDI ENBLLENDE
24	18090026	C. S. APPOGGI O GRUPPO SI NI STRO+CAPP. 02. 52	02. 52 CAPP. +LEFT UNI T ELECTRONI C CARD SL	SOCLE ENCLNCHEMENT GROUPE GAUCHE+CAPP. O	STECKLEI STE LI NKE EI NHEI T+CAPP. 02. 52
25	78043016	SUPPORTO MEMBRANA PULSANTI ERA	PUSH BUTTON PANEL DI APHRAGM SUPPORT	SUPPORT MEMBRANE CLAVI ER	HALTER MEMBRAN BEDI ENBLLENDE
26	18199006	EPROM 27C512	EPROM 27C512	EPROM 27C512	EPROM 27C512
27	18090020	SCHEDA CONNETTORI	CONNECTORS CARD	CARTE CONNECTEURS	VERBI NDERKARTE
28	25419003	DI STANZI ALE GUI DA SCHEDE	SPACER CARD GUI DE	ENTRETOI SE RAI L CARTES	DI STANZSTUECK SCHI ENE FUER KARTEN
29	15187	GUI DA SCHEDE	CARD GUI DE	RAI L CARTES	SCHI ENE FUER KARTEN
30	18090023	SCHEDA CPU	CPU CARD	CARTE CPU	CPU-KARTE
31	19104	FUSI BI LE OMEGA 5X20 T-10A	FUSE OMEGA 5X20 T-10A	FUSI BLE OMEGA 5X20 T-10A	SCHMELZSI CHERUNG OMEGA 5X20 T-10A
32	19101	FUSI BI LE 5X20 2A SF520220 OMEGA	FUSE OMEGA 5X20 2A SF520220	FUSI BLE OMEGA 5X20 2A SF520220	SCHMELZSI CH. OMEGA 5X20 2A SF520220
33	18090022	SCHEDA RELE'	RELAY CARD	CARTE RELAI S	RELAI SKARTE
34	18090021	SCHEDA ALI MENTAZI ONE 220V	220V POWER CARD	CARTE ALI MENTATI ON 220V	VERSORGUNGSKARTE 220V
35	19106	FUSI BI LE OMEGA 5X20 T-500MA	FUSE OMEGA 5X20 T-125MA	FUSI BLE OMEGA 5X20 T-125MA	SCHMELZSI CHERUNG OMEGA 5X20 T-125MA

AGRE

INDICE - INDEX - SOMMAIRE - VERZEICHNIS

rev.

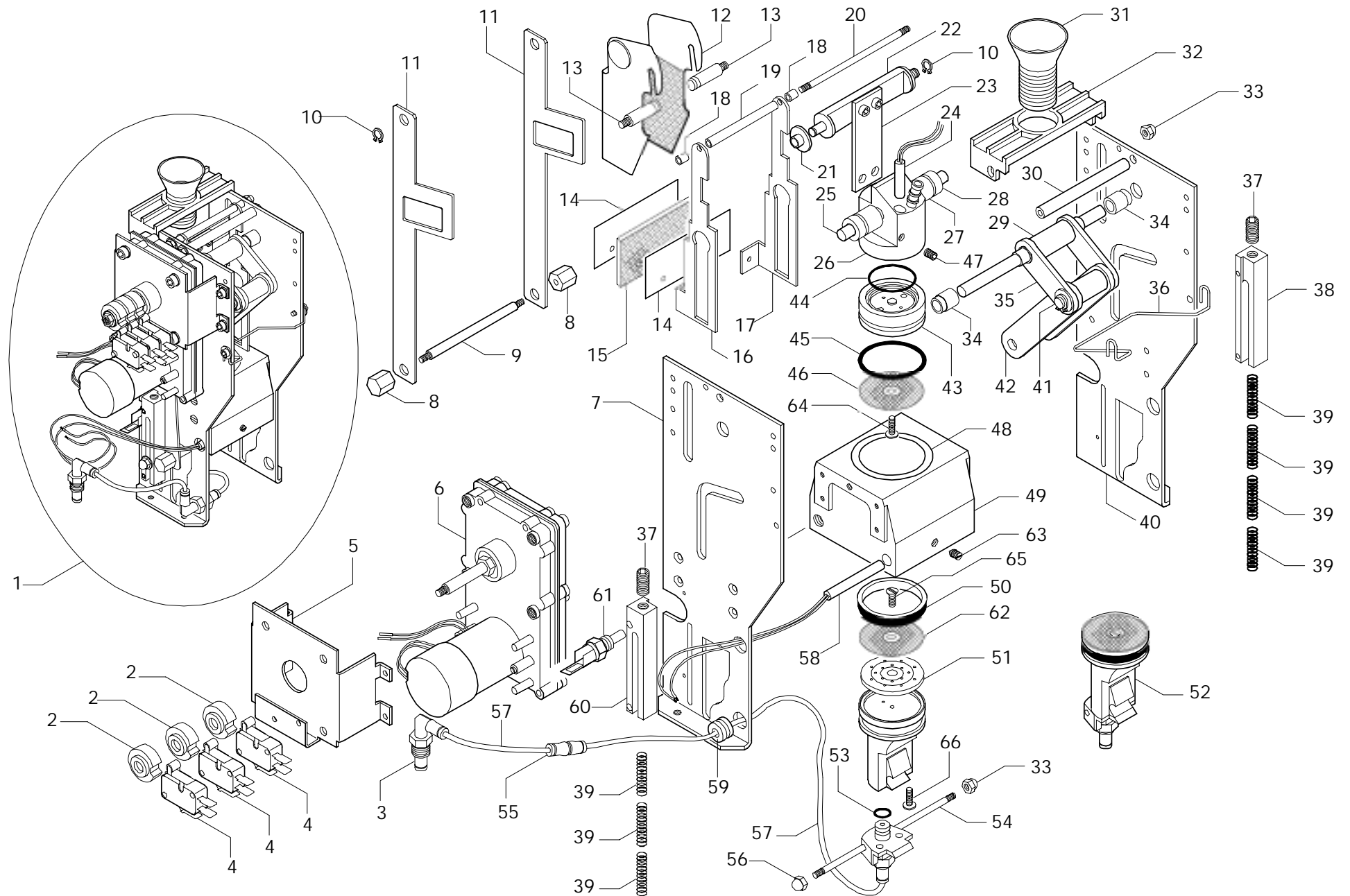
AGRE-01

GRUPPO - GROUP - GROUPE - GRUPPE

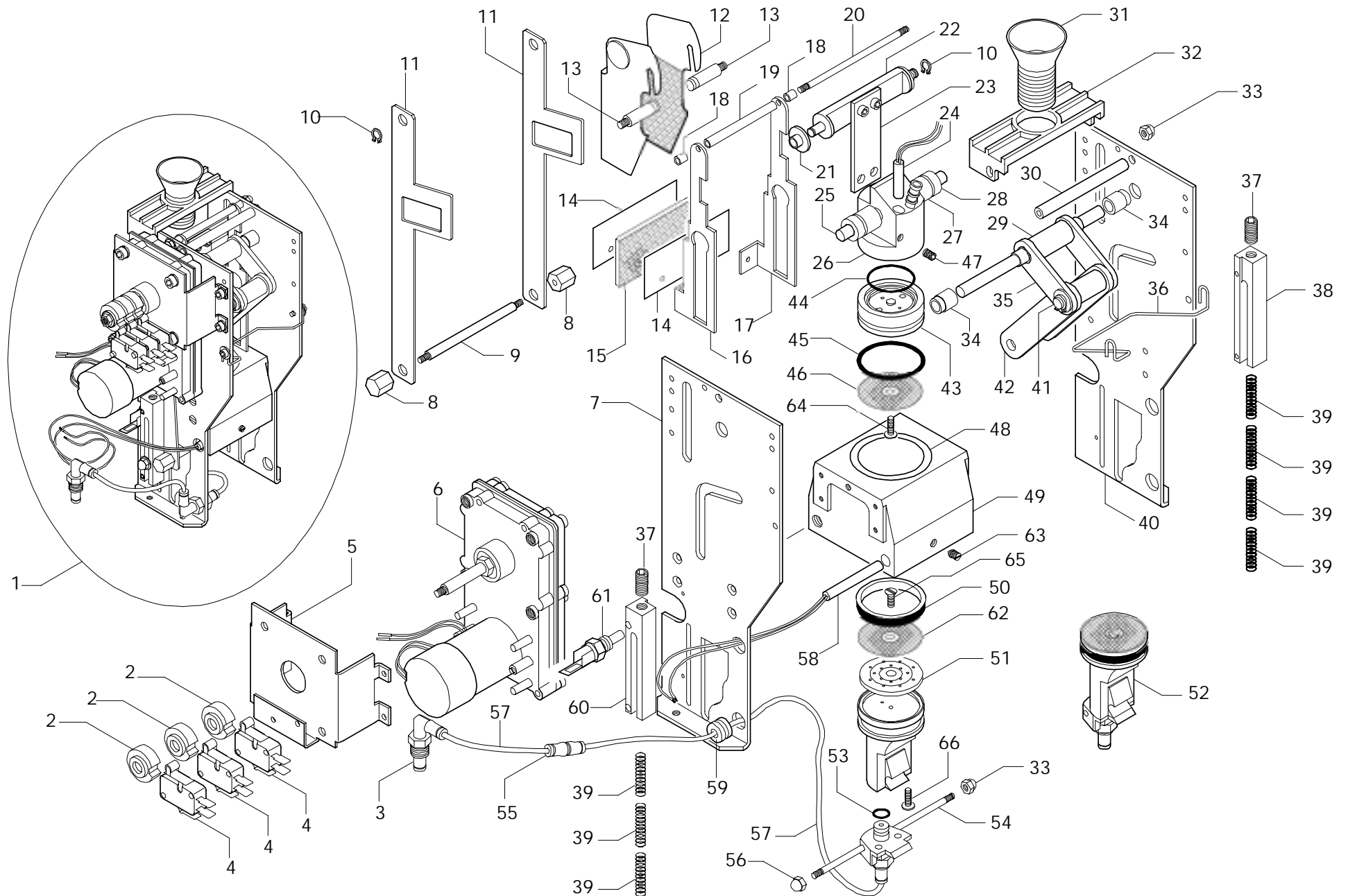
02
09/2003

03
06/2004

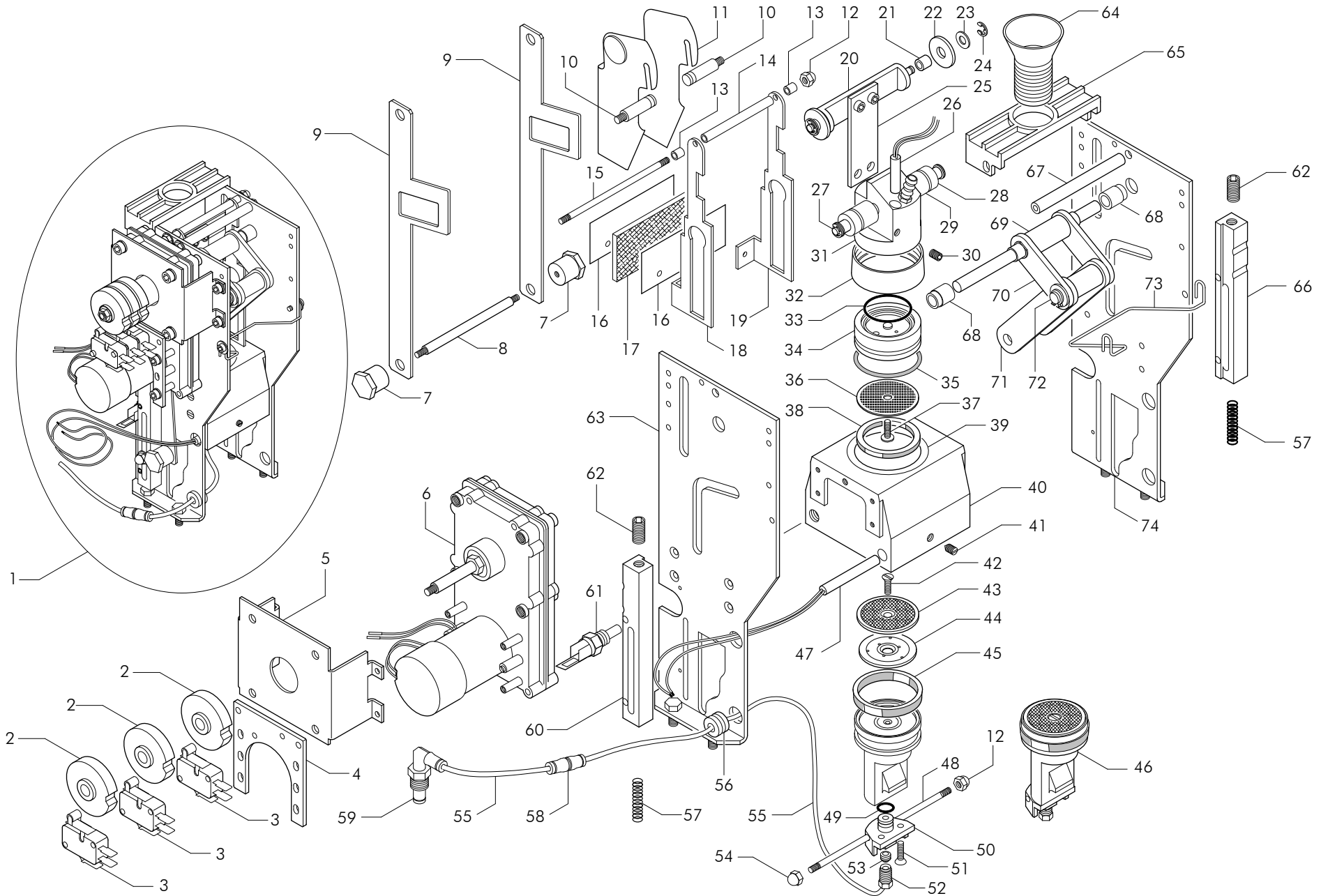
*Gruppo
Group
Groupe
Gruppe*



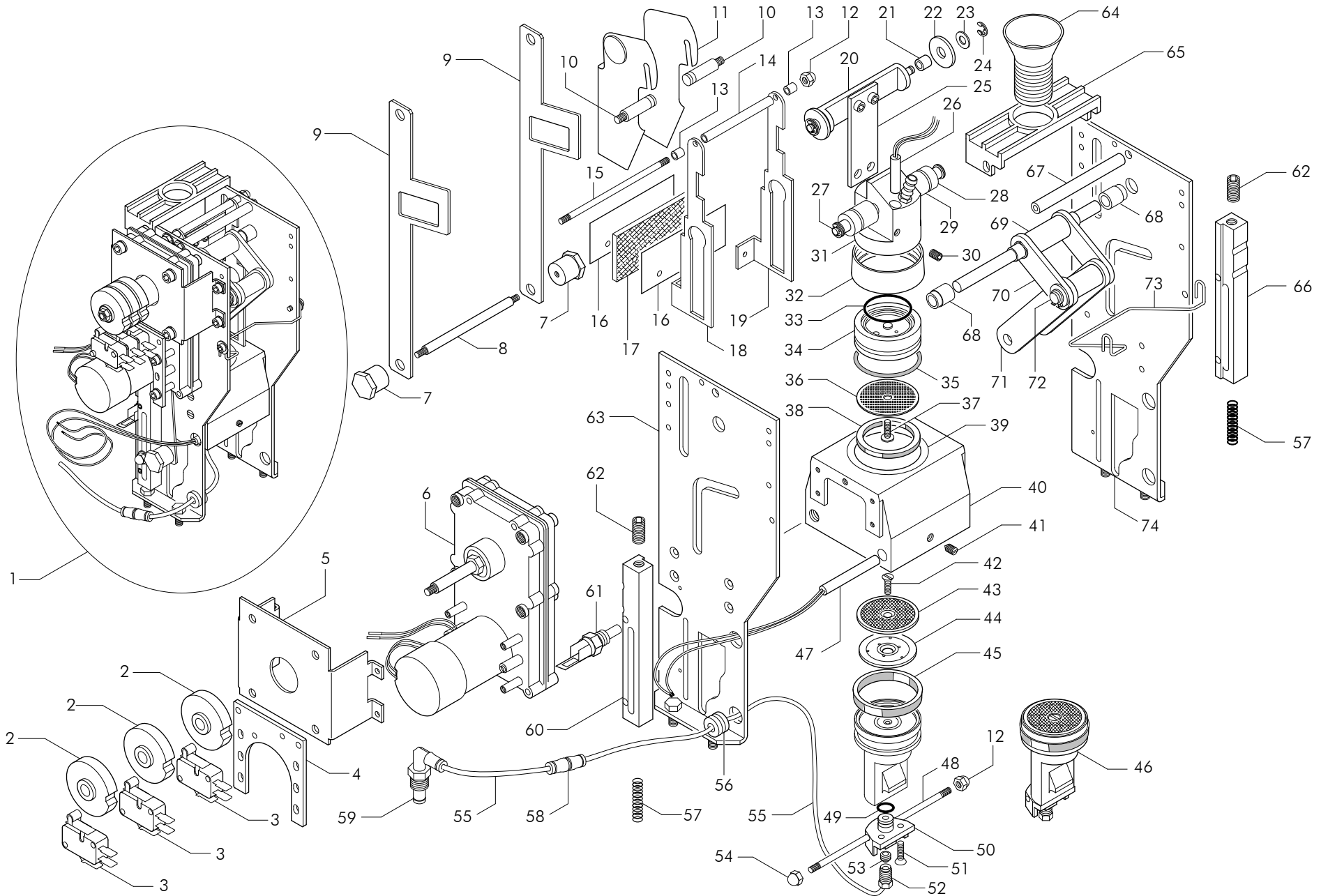
Pos	Cod.	Denominazione - IT -	Denomination - GB -	Denomination - FR -	Denomination - DE -
1	83260000R	KIT GRUPPO DESTRO	KIT GROUP RIGHT	KIT GROUPE DROIT	GRUPPESATZ KAFFEEMASCHINE RECHTS
1	83260001R	KIT GRUPPO SINISTRO	KIT GROUP LEFT	KIT GROUPE GAUCHE	GRUPPESATZ KAFFEEMASCHINE LINK
2	25500015	CAMME REGOLAZIONE MOTORE	MOTOR ADJUSTMENT CAMS	CAME REGLAGE MOTEUR	EINSTELLNocken MOTOR
3	23229100	RACCORDO RAPIDO "L" 1/8 D-4	1/8 4-D "L" QUICK COUPLING	RACCORD RAPIDE "L" 1/8 D-4	STECKVERBINDUNG "L" 1/8 D-4
4	18253	MI CROINTERRUTTORE CROUZ. 83161. 8IW3+161E	M. SWITCH CROUZET 83161. 8IW3+161E	MI CROINTERR. CROUZ. 83161. 8IW3+161E	MI KROSCHALT. CROUZ. 83161. 8IW3+161E
5	78043027	SUPPORTO MOTORE	MOTOR BEAR	SUPPORT MOTEUR	EINGEBAUTER MOTORHALTER
6	18333002	MOTORI DUTTORE 24V DC 5 RPM MOD. 509 LAVOR	GEARMOTOR 24V DC 5 RPM MOD. 509	MOTO-REDUCTEUR 24V DC 5	GETRIEBEMOTOR 24V DC5 RPM
7	25500010	PIASTRA SINISTRA	LEFT PLATE	PLAQUE GAUCHE	LINK PLATTE
8	25500031	PESO PERNO AGGANCIO PISTONE ESTERNO M4	M4 EXTERNAL PISTON HOOKING PIN WEIGHT	POIDS TOURLLON ACCROCHAGE PISTON EXTERI	GEWICHT KUPPLUNGSSTIFT AUSSERER KOLBEN M
9	25500008	PERNO SGANCIO PISTONE	PISTON RELEASE PIN	CHEVILLE DECLENCHEMENT PISTON	ENTKUPPLUNGSSTIFT KOLBEN
10	10010	ANELLO PER ALBERI D-6 INOX	RING FOR SHAFTS D-6 STAINLESS STEEL	ANNEAU POUR ARBRES D-6 INOX	RING FUERWELLEND D-6 EDELSTAHL
11	25500014	GUI DA ESTERNA	EXTERNAL GUIDE	GLISSIERE EXTERIEURE	AUSSERE SCHIENE
12	15491001	SCI VOLO CAFFE'	COFFEE CHUTE	GOULOTTE CAFE	KAFFEEERUTSCHE
13	25500016	PERNO SUPPORTO SCI VOLO CAFFE'	COFFEE CHUTE SUPPORTING PIN	AXE SUPPORT GOULOTTE CAFE	BEFESTIGUNGSSTIFT KAFFEEERUTSCH
14	77614013	SUPPORTO SPAZZOLA FONDI CAFFE'	COFFEE GROUTS BRUSH SUPPORT	SUPPORT BROUSSE MARC CAFE	HALTER FUER KAFFEESATZBUERSTE
15	15426000	SPAZZOLA FONDI CAFFE' SILICONE	COFFEE GROUTS SILICONE BRUSH	BROSSE SILICONE POUR MARC CAFE	SILICONBUERSTE KAFFEESATZ
16	25500012	GUI DA SPAZZOLA SINISTRA	LEFT BRUSH GUIDE	GLISSIERE GAUCHE BROUSSE	LINKBUERSTENSCHIENE
17	25500011	GUI DA SPAZZOLA DESTRA	RIGHT BRUSH GUIDE	GLISSIERE DROITE BROUSSE	RECHTEBUERSTENSCHIENE
18	25500019	DI STANZIALE ESTERNO GUI DA SPAZZOLA	EXTERNAL BRUSH GUIDE SPACER	ENTRETOISE EXTERIEURE GLISSIERE BROUSSE	AUSSERES DI STANZSTUECKBUERSTENSCHIENE
19	25500018	DI STANZIALE INTERNO GUI DA SPAZZOLA	INTERNAL BRUSH GUIDE SPACER	ENTRETOISE INTERIEURE GLISSIERE BROUSSE	INNERES DI STANZSTUECKBUERSTENSCHIENE
20	25500017	PERNO GUI DA SPAZZOLA	BRUSH GUIDE PIN	AXE GLISSIERE BROUSSE	FUEHRUNGSAFFENBUERSTE
21	25500030	BOCCOLA PERNO ALLINEAMENTO	ALIGNMENT PIN BUSH	BAQUE TOURLLON ALIGNEMENT	BUECHSE AUSRICHTUNGSSTIFT
22	25500029	PERNO ALLINEAMENTO PISTONE COMPRESSIONE	COMPRESSOR PISTON ALIGNMENT PIN	TOURLLON ALIGNEMENT PISTON COMPRESSOR	AUSRICHTUNGSSTIFT PRESSKOLBEN
23	25500028	PIASTRINA COLL. PISTONE COMPRESSIONE	COMPRESSOR PISTON CONN. SUPPORT PLATE	PLAQUE RACCORD PISTON COMPRESSOR	ANSCHLUSSPLATTE PRESSKOLBEN
24	17509	RESISTENZA CARTUCCI A 6, 5X32 24V 10W PI ST	6, 5X50 120V 150W CARTRIDGE HEATING ELEMENT	RESISTANCE CARTOUCHE 6, 5X50 120V 150W	ZYLINDERISCHER WIDERSTAND 6, 5X50 120V 150
25	10700103	SPIA D-8 GUI DA PISTONE COMPRESSIONE	8-D GUIDE PIN FOR COMPRESSOR PISTON	CHEVILLE D-8 GUIDE PISTON COMPRESSOR	ZAPFEN D-8 KOLBENFUEHRUNG PRESSEN
26	25500003	PISTONE COMPRESSIONE	COMPRESSOR PISTON	PISTON COMPRESSOR	PRESSKOLBEN
27	25500024	DI STANZIALE INTERNO PISTONE COMPRESSIONE	INTERNAL COMPRESSOR PISTON SPACER	ENTRETOISE INTERIEURE PISTON COMPRESSOR	INNERES DI STANZSTUECK PRESSKOLBEN
28	25500025	DI STANZIALE ESTERNO PISTONE COMPRESSIONE	EXTERNAL COMPRESSOR PISTON SPACER	ENTRETOISE EXTERIEURE PISTON COMPRESSOR	AUSSERES DI STANZSTUECK PRESSKOLBEN
29	25500027	DI STANZIALE SNODO PISTONE	ARTICULATED PISTON JOINT SPACER	ENTRETOISE ARTICULATION PISTON	DI STANZSTUECK KOLBENGELENK
30	25500006	PERNO DI STANZIALE PANNELLI	PANEL SPACER PIN	TOURLLON ESPACEMENT PANNEAUX	DI STANZSTIFT PANEELLE
31	15491002	IMBUTO LAVAGGIO	WASHING APERTURE	ORIFICE LAVAGE	WASCHTRICHTER
32	15491010	SUPPORTO IMBUTO LAVAGGIO	WASHING APERTURE SUPPORT	SUPPORT ORIFICE LAVAGE	HALTER WASCHTRICHTER
33	23022001	DADO AUTOBLOCCANTE M4	M4 SELF-LOCKING NUT	ECROU AUTO-BLOQUANT M4	SELBSTSCHERNDEN MUTTER M4
34	15013000	BOCCOLA ALBERO MOTORE	DRIVING SHAFT BUSH	BAGUE ARBRE MOTEUR	BUECHSE MOTORWELLE
35	25500033	ALBERO MOTORE	DRIVING SHAFT	ARBRE MOTEUR	MOTORWELLE



Pos	Cod.	Denominazione - IT -	Denomination - GB -	Denomination - FR -	Denomination - DE -
36	25500035	SPAZZOLA SUPERIORE + GOMMI NO	TOP BRUSH + RUBBER	BROSSE SUPERIORE + CAOUTCHOUC	OBERE BUERSTE + GUMMI
37	25500034	VITE 1/8 REGOLAZIONE MOLLE	1/8 SPRINGS ADJUSTMENT SCREW	VIS 1/8 REGLAGE RESSORTS	SCHRAUBE 1/8 FEDEREINSTELLUNG
38	25500022	GUI DA MOLLA DESTRA	RIGHT SPRING GUIDE	GLISSIERE DROITE RESSORT	FEDERFUEHRUNG RECHTS
39	10455	MOLLA VALVOLA S. C.	OVERLOADING VALVE SAE SPRING N9	RESSORT CLAPET SURCHARGE SAE N9	UBERLASTVENTIL FEDER SAE N9
40	25500009	PIASTRA DESTRA	RIGHT PLATE	PLAQUE DROITE	RECHTE PLATTE
41	25500026	PERNO SNODO PISTONE	ARTICULATED PISTON JOINT PIN	PIVOT ARTICULATION PISTON	GELENKSSTIFT KOLBEN
42	25500032	PIASTRINE SNODO	ARTICULATED JOINT SUPPORT PLATES	SUPPORTS ARTICULATION	GELENKSHALTER
43	25500013	DIFFUSORE	DIFFUSER	DIFFUSEUR	DIFFUSOR
44	12315	GUARNI ZIONE OR 2112 28. 2X1. 78 VITON	ORING SEAL 28. 2X1. 78 VITON	JOINT OR 28. 2X1. 78 VITON	O-RINGDICHT. 28. 2X1. 78 VITON
45	12316	GUARNI ZIONE OR 4150 37. 69X3. 53	ORING 4150	JOINT OR 4150	ORDICHTUNG 4150
46	27103003	DOCCIA SUPERIORE X GRUPPO MICROFORATA	SPRAY FOR UNIT	DOUCHETTE FILTRE SUPERIEUR GRP. EKO MICR	BRAUSE FUEREINHEIT
47	10403	GRANO M5X5 PUNTA PIANA INOX UNI 5923	GRUB SCREW M5X5 FLAT POINT - STEEL	GRAIN M5X5 POINT PLATE - INOX	GEWINDESTIFT M5X5 FLACHSPITZE-STAHL
48	25500005	CAMICIA INOX D-40	40-D STAINLESS STEEL JACKET	CHEMISE INOX D-40	MANTEL EDELSTAHL D-40
49	25500004	CORPO EROGAZIONE	DISPENSING BODY	CORPS DISTRIBUTEUR	ABGABEINHEIT
50	12323001	GUARNI ZIONE LABBRO D-45 PISTONE INF.	45-D LIP SEAL FOR BOTTOM PISTON	JOINT A LEVRE D-45 PISTON INFERIEUR	LIPPENRINGMANSCHETTE D-45 UNTERER KOLBEN
51	27106	DIFFUSORE NIX DOCCIA PISTONE GRUPPO EKO	SHOWER HOLDER	PORTE-DOUCHETTE	VERTEILERSBEHALTER
52	27060108	BLOCCO PISTONE ESTRAZIONE	EXTRACTION PISTON	PISTON EXTRACTION + JOINTS	AUSZUGSKOLBEN
53	12305	GUARNI ZIONE OR 105 GR. ELETT. VITON 70SH	ORING SEAL 105 GREEN VITON SOLENOID	JOINT OR 105 GR. ELECT. VITON VERT 70SH	O-RINGDICHT. 105 EKELTR. EINHEIT VITON G
54	25500007	PERNO MOLLA RICHIAMO PISTONE	PISTON RECALL SPRING PIN	AXE RESSORT DE RAPPEL PISTON	STIFT RUECKZUGSFEDER KOLBEN
55	23229200	RACCORD RAPIDO UNIONE DOPPIA PARI D-4 3	QUICK COUPLING D-4	RACCORD RAPIDE D-4	STECKVERBINDUNG D-4
56	23059	DADO CIECO INOX M4 UNI 5721 A2	M4 UNI 5721 A2 STAINLESS STEEL CAP NUT	ECROU BORGNE INOX M4 UNI 5721 A2	HUTMUTTER EDELSTAHL M4 UNI 5721 A2
57	15452001	TUBO TEFLON D 4X2, 5	TEFLON HOSE D 6X4	TUYAU TEFLON D 6X4	TEFLONROHR D 6X4
58	17507	RESI STENZA CARTUCCIA 6, 5X50 230V 150W	6, 5X50 230V 150W CARTRIDGE HEATING ELEMENT	RESISTANCE CARTOUCHE 6, 5X50 230V 150W	ZYLINDERISCHER WIDERSTAND 6, 5X50 230V 150
59	15353	PASSACAPO PVC KB 4-11, 5-14, 5-3	CABLE SLOT PVC K 4-11	PASSE-CABLE PVC KB 4-11	KABELDURCHGANG PVC KB 4-11
60	25500023	GUI DA MOLLA SINISTRA	LEFT SPRING GUIDE	GLISSIERE GAUCHE RESSORT	FEDERFUEHRUNG LINKS
61	20306	TERMOSTATO SONDA NTC ES 13	THERMOSTAT NTC ES 13	THERMOSTAT NTC ES 13	TERMOSTAT NTC ES 13
62	27103001	DOCCIA X GRUPPO	SPRAY FOR UNIT	DOUCHETTE POUR GROUPE	BRAUSE FUEREINHEIT
63	10401	GRANO OTTONE 5X5 GRUPPO	BRASS GRUB SCREW 5X5 GROUP	GRAINS LAITON 5X5 GROUPE	MESSING-GEWINDESTIFT 5X5 GRUPPE
64	23450	VITE TGS INOX M4X16 TAGLIO CACC.	STEEL SCREW TGS 4X16	VIS INOX TGS 4X16	STAHLSCHRAUBE M4X16
65	23504	VITE TPS INOX M4X14 TAGLIO CACC.	STEEL SCREW TPS 4X14	VIS INOX TPS 4X14	STAHLSCHRAUBE TPS 4X14
66	23564015	VITE TSPEI INOX M4X20 UNI 5933	STEEL SCREW TC 4X20	VIS INOX TSPEI	SCHRAUBE TSPEI INOX M4X20 UNI



Pos	Cod.	Denominazione - IT -	Denomination - GB -	Denomination - FR -	Denomination - DE -
1	83260000R	KIT GRUPPO DESTRO	KIT GROUP RIGHT	KIT GROUPE DROIT	GRUPPESATZ KAFFEEMASCHINE RECHTS
1	83260001R	KIT GRUPPO SINISTRO	KIT GROUP LEFT	KIT GROUPE GAUCHE	GRUPPESATZ KAFFEEMASCHINE LINKE
2	27078014	CAMMA MOVIMENTO D-40 MOTORE GRUPPO EKO	MOTOR CAMS D-40	CAME REGLAGE MOTEUR D-40	EINSTELNOCCKEN MOTOR D-40
3	18253	MICROINTERRUTTORE CROUZ.83161.8IW3	M.SWITCH CROUZET 83161.8IW3+161E	MICROINTERR.CROUZ.83161.8IW3+161E	MIKROSCHALT.CROUZ.83161.8IW3+161E
4	27410101	SUPPORTO MOTORE CROUZET GRUPPO EKO	MOTOR BEAR	SUPPORT MOTEUR	EINGEBAUTER D5 INOX
5	78043044	SUPPORTO MOTORE	MOTOR BEAR	SUPPORT MOTEUR	EINGEBAUTER MOTORHALTER
6	18333002	MOTORIDUTTORE 24V DC 5 RPM MOD.509	GEARMOTOR 24V DC 5 RPM MOD. 509	MOTO-REDUCTEUR 24V DC 5	GETRIEBEMOTOR 24V DC5 RPM
7	25500031	PESO PERNO AGGANCIO PISTONE ESTERNO M4	M4 EXTERNAL PISTON HOOKING PIN WEIGHT	POIDS TOURILLON ACCROCHAGE PISTON EXT	GEWICHT KUPPLUNGSSTIFT AUSSERER KOLBEN M
8	25500008	PERNO SGANCIO PISTONE	PISTON RELEASE PIN	CHEVILLE DECLENCHEMENT PISTON	ENTKUPPLUNGSSTIFT KOLBEN
9	25500014	GUIDA ESTERNA	EXTERNAL GUIDE	GLISSIERE EXTERIEURE	AUSSERE SCHIENE
10	25500016	PERNO SUPPORTO SCIVOLO CAFFE'	COFFEE CHUTE SUPPORTING PIN	AXE SUPPORT GOULOTTE CAFE	BEFESTIGUNGSSTIFT KAFFEERUTSCH
11	15491001	SCIVOLO CAFFE'	COFFEE CHUTE	GOULOTTE CAFE	KAFFEERUTSCHE
12	23022001	DADO AUTOBLOCCANTE M4	M4 SELF-LOCKING NUT	ECROU AUTO-BLOQUANT M4	SELBSTSICHERNDE MUTTER M4
13	25500019	DISTANZIALE ESTERNO GUIDA SPAZZOLA	EXTERNAL BRUSH GUIDE SPACER	ENTRETOISE EXTERIEURE GLISSIERE BROSSSE	AUSSERES DISTANZSTUECK BUERSTENSCHIENE
14	25500018	DISTANZIALE INTERNO GUIDA SPAZZOLA	INTERNAL BRUSH GUIDE SPACER	ENTRETOISE INTERIEURE GLISSIERE BROSSSE	INNERES DISTANZSTUECK BUERSTENSCHIENE
15	25500017	PERNO GUIDA SPAZZOLA	BRUSH GUIDE PIN	AXE GLISSIERE BROSSSE	FUEHRUNGSZAPFEN BUERSTE
16	77614013	SUPPORTO SPAZZOLA FONDI CAFFE'	COFFEE GROUTS BRUSH SUPPORT	SUPPORT BROSSSE MARC CAFE	HALTER FUER KAFFEESATZBUERSTE
17	15426000	SPAZZOLA FONDI CAFFE' SILICONE	COFFEE GROUTS SILICONE BRUSH	BROSSSE SILICONE POUR MARC CAFE	SILIKONBUERSTE KAFFEESATZ
18	25500012	GUIDA SPAZZOLA SINISTRA	LEFT BRUSH GUIDE	GLISSIERE GAUCHE BROSSSE	LINKE BUERSTENSCHIENE
19	25500011	GUIDA SPAZZOLA DESTRA	RIGHT BRUSH GUIDE	GLISSIERE DROITE BROSSSE	RECHTE BUERSTENSCHIENE
20	27302251	PERNO ALLINEAMENTO PISTONE COMPRESS	COMPRESSION PISTON ALIGNMENT PIN	TOURILLON ALIGNEMENT PISTON COMPRESSION	AUSRICHTUNGSSTIFT PRESSKOLBEN
21	27060112	BOCCOLA L=7,5 GRUPPO	BUSH L=7,5	BAQUE L=7,5	BUECHSE L=7,5
22	27320910	RONDELLA GRUPPO	GROUP WASHER	RONDELLE GROUPE	GRUPPESCHEIBE
23	23268	RONDELLA PIANA D 5 INOX UNI 6592	S.STEEL FLAT WASHER D 5 UNI 6592	RONDELLE PLANE INOX D 5 UNI 6592	FLACH/STAHLSCHEIBE D 5 UNI 6592
24	10010	ANELLO PER ALBERI D-6 INOX	RING FOR SHAFTS D-6 STAINLESS STEEL	ANNEAU POUR ARBRES D-6 INOX	RING FUER WELLEND D-6 EDELSTAHL
25	25500028	PIASTRINA COLL.PISTONE COMPRESSIONE	COMPRESSION PISTON CONN.SUPPORT PLATE	PLAQUE RACCORD PISTON COMPRESSION	ANSCHLUSSPLATTE PRESSKOLBEN
26	17509	RESISTENZA CARTUCCIA 6,5X32 24V 10W	6,5X50 120V 150W CARTRIDGE HEATING EL	RESISTANCE CARTOUCHE 6,5X50 120V 150W	ZYLINDRISCHER WIDERSTAND 6,5X50 120V 150
27	27002004	ALBERO COMPLETO GRUPPO	DRIVING SHAFT GROUP	ARBRE GROUPE	GRUPPEWELLE
28	25500025	DISTANZIALE ESTERNO PISTONE COMPRESS	EXTERNAL COMPRESSION PISTON SPACER	ENTRETOISE EXTERIEURE PISTON COMPRESS	AUSSERES DISTANZSTUECK PRESSKOLBEN
29	25500024	DISTANZIALE INTERNO PISTONE COMPRESS	INTERNAL COMPRESSION PISTON SPACER	ENTRETOISE INTERIEURE PISTON COMPRESS	INNERES DISTANZSTUECK PRESSKOLBEN
30	10403	GRANO M5X5 PUNTA PIANA INOX UNI5923	GRUB SCREW M5X5 FLAT POINT - STEEL	GRAIN M5X5 POINTE PLATE - INOX	GEWINDESTIFT M5X5 FLACHSPITZE-STAHL
31	25500003	PISTONE COMPRESSIONE	COMPRESSION PISTON	PISTON COMPRESSION	PRESSKOLBEN
32	15491022	ANELLO PTFE PIST.COMPRESSIONE SUP. GRP	TEFLON RING COMP. PISTON	ANNEAU PTFE PISTON	PTFE RING MOTORKOLBEN
33	12315	GUARNIZIONE OR 2112 28.2X1.78 VITON	O RING SEAL 28.2X1.78 VITON	JOINT OR 28.2X1.78 VITON	O-RINGDICHT.28.2X1.78 VITON
34	25500013	DIFFUSORE	DIFFUSER	DIFFUSEUR	DIFFUSOR
35	12316	GUARNIZIONE OR 4143 36.10X3.53	O RING 4143	JOINT OR 4143	OR DICHTUNG 4143
36	27103003	DOCCIA SUPERIORE X GRUPPO MICROFORATA	SPRAY FOR UNIT	DOUCHETTE FILTRE SUPERIEUR GRP. EKO	BRAUSE FUER EINHEIT
37	23312001	VITE TB INOX 4X12 TAGLIO CACCIAVITE	SCREW TB INOX 4X12	VIS INOX 4X12	SCHRAUBE INOX 4X12
38	15117000	GOMM.AMMORT.EPDM	EPDM GASKET	JOINT EPDM	DICHTUNG EPDM
39	25500005	CAMICIA INOX D-40	40-D STAINLESS STEEL JACKET	CHEMISE INOX D-40	MANTEL EDELSTAHL D-40



Pos	Cod.	Denominazione - IT -	Denomination - GB -	Denomination - FR -	Denomination - DE -
40	25500004	CORPO EROGAZIONE	DISPENSING BODY	CORPS DISTRIBUTEUR	ABGABEEINHEIT
41	10401	GRANO OTTONE 5X5 GRUPPO	BRASS GRUB SCREW 5X5 GROUP	GRAINS LAITON 5X5 GROUPE	MESSING-GEWINDESTIFT 5X5 GRUPPE
42	23503001	VITE TPS INOX A2 4X12 TAGLIO CACC.	SCREW TPS INOX 4X12	VIS INOX 4X12	SCHRAUBE TPS 4X12
43	27103001	DOCCIA X GRUPPO	SPRAY FOR UNIT	DOUCHETTE POUR GROUPE	BRAUSE FUER EINHEIT
44	27106	DIFFUSORE NI X DOCCIA PISTONE GRUPPO	SHOWER HOLDER	PORTE-DOUCHETTE	VERTEILERSIEBHALTER
45	12323001	GUARNIZIONE LABBRO D-45 PISTONE INF.	45-D LIP SEAL FOR BOTTOM PISTON	JOINT A LEVRE D-45 PISTON INFERIEUR	LIPPENRINGMANSCHETTE D-45 UNTERER KOLBEN
46	27060113	BLOCCO PISTONE "04" ESTRAZIONE	EXTRACTION PISTON	PISTON EXTRACTION + JOINTS	AUSZUGSKOLBEN
47	17507	RESISTENZA CARTUCCIA 6,5X50 230V 150W	6,5X50 230V 150W CARTRIDGE HEATING EL	RESISTANCE CARTOUCHE 6,5X50 230V 150W	ZYLINDRISCHER WIDERSTAND 6,5X50 230V 150
48	25500007	PERNO MOLLA RICHIAMO PISTONE	PISTON RECALL SPRING PIN	AXE RESSORT DE RAPPEL PISTON	STIFT RUECKZUGSFEDER KOLBEN
49	12305	GUARNIZIONE OR 105 GR.ELETT.VITON 70SH	O RING SEAL 105 GREEN VITON SOLENOI	JOINT OR 105 GR. ELECT. VITON VERT 70SH	O-RINGDICHT. 105 EKELTR. EINHEIT VITON G
50	25500050	BLOCCO "04" AZIONAMENTO PISTONE INFERIOR	BOTTOM PISTON DRIVING UNIT	GROUPE ACTIONNEMENT PISTON INFERIEUR	ANTRIEBSEINHEIT UNTERER KOLBEN
51	23564015	VITE TSPEI INOX M4X20 UNI 5933	STEEL SCREW TC 4X20	VIS INOX TSPEI	SCHRAUBE TSPEI INOX M4X20 UNI
52	25500046	RACC.M8 PIST.INFERIORE GRP/EKO	JOINT M8 LOWER PISTON GRP/EKO	RACCORDEMENT M8 PIST. INF. GRP/EKO	ANSCHLUSS M8 KOLBEN
53	25500045	OGIVA RACC.PIST.INFERIORE GRP/EKO	CURVED NOSE LOWER PISTON JOINT	COIFFE DE RACCORDEMENT PISTON INF.	KOLBENANSCHLUSS
54	23059	DADO CIECO INOX M4 UNI 5721 A2	M4 UNI 5721 A2 STAINLESS STEEL CAP NUT	ECROU BORGNE INOX M4 UNI 5721 A2	HUTMUTTER EDELSTAHL M4 UNI 5721 A2
55	15452001	TUBO TEFLON D 4X2,5	TEFLON HOSE D 6X4	TUYAU TEFLON D 6X4	TEFLONROHR D 6X4
56	15353	PASSACAVO PVC KB 4-11,5-14,5-3	CABLE SLOT PVC K 4-11	PASSE-CABLE PVC KB 4-11	KABELDURCHGANG PVC KB 4-11
57	10455	MOLLA VALVOLA S.C.	OVERLOADING VALVE SAE SPRING N9	RESSORT CLAPET SURCHARGE SAE N9	UBERLASTVENTIL FEDER SAE N9
58	23229200	RACCORDO RAPIDO UNIONE DOPPIA PARI	QUICK COUPLING D-4	RACCORD RAPIDE D-4	STECKVERBINDUNG D-4
59	23229100	RACCORDO RAPIDO "L" 1/8 D-4	1/8 4-D "L" QUICK COUPLING	RACCORD RAPIDE "L" 1/8 D-4	STECKVERBINDUNG "L" 1/8 D-4
60	25500023	GUIDA MOLLA SINISTRA	LEFT SPRING GUIDE	GLISSIERE GAUCHE RESSORT	FEDERFUEHRUNG LINKS
61	20306	TERMOSTATO SONDA NTC ES 13	THERMOSTAT NTC ES 13	THERMOSTAT NTC ES 13	TERMOSTAT NTC ES 13
62	25500034	VITE 1/8 REGOLAZIONE MOLLE	1/8 SPRINGS ADJUSTMENT SCREW	VIS 1/8 REGLAGE RESSORTS	SCHRAUBE 1/8 FEDEREINSTELLUNG
63	25500010	PIASTRA SINISTRA	LEFT PLATE	PLAQUE GAUCHE	LINKE PLATTE
64	15491002	IMBUTO LAVAGGIO	WASHING APERTURE	ORIFICE LAVAGE	WASCHTRICHTER
65	15491010	SUPPORTO IMBUTO LAVAGGIO	WASHING APERTURE SUPPORT	SUPPORT ORIFICE LAVAGE	HALTER WASCHTRICHTER
66	25500022	GUIDA MOLLA DESTRA	RIGHT SPRING GUIDE	GLISSIERE DROITE RESSORT	FEDERFUEHRUNG RECHTS
67	25500006	PERNO DISTANZIALE PANNELLI	PANEL SPACER PIN	TOURILLON ESPACEMENT PANNEAUX	DISTANZSTIFT PANELE
68	15013000	BOCCOLA ALBERO MOTORE	DRIVING SHAFT BUSH	BAGUE ARBRE MOTEUR	BUECHSE MOTORWELLE
69	25500027	DISTANZIALE SNODO PISTONE	ARTICULATED PISTON JOINT SPACER	ENTRETOISE ARTICULATION PISTON	DISTANZSTUECK KOLBENGELENK
70	25500033	ALBERO MOTORE	DRIVING SHAFT	ARBRE MOTEUR	MOTORWELLE
71	25500032	PIASTRINE SNODO L=93	ARTICULATED JOINT SUPPORT PLATES	SUPPORTS ARTICULATION	GELENKSHALTER
72	25500026	PERNO SNODO PISTONE	ARTICULATED PISTON JOINT PIN	PIVOT ARTICULATION PISTON	GELENKSTIFT KOLBEN
73	25500035	SPAZZOLA SUPERIORE + GOMMINO	TOP BRUSH + RUBBER	BROSSE SUPERIEURE + CAOUTCHOUC	OBERE BUERSTE + GUMMI
74	25500009	PIASTRA DESTRA	RIGHT PLATE	PLAQUE DROITE	RECHTE PLATTE

INDICE - INDEX - SOMMAIRE - VERZEICHNIS

AIDR-01

**IMPIANTO IDRAULICO - HYDRAULIC CIRCUIT
CIRCUIT HYDRAULIQUE - WASSER ANLAGE**

STANDARD

AIDR-10

**IMPIANTO IDRAULICO - HYDRAULIC CIRCUIT
CIRCUIT HYDRAULIQUE - WASSER ANLAGE**

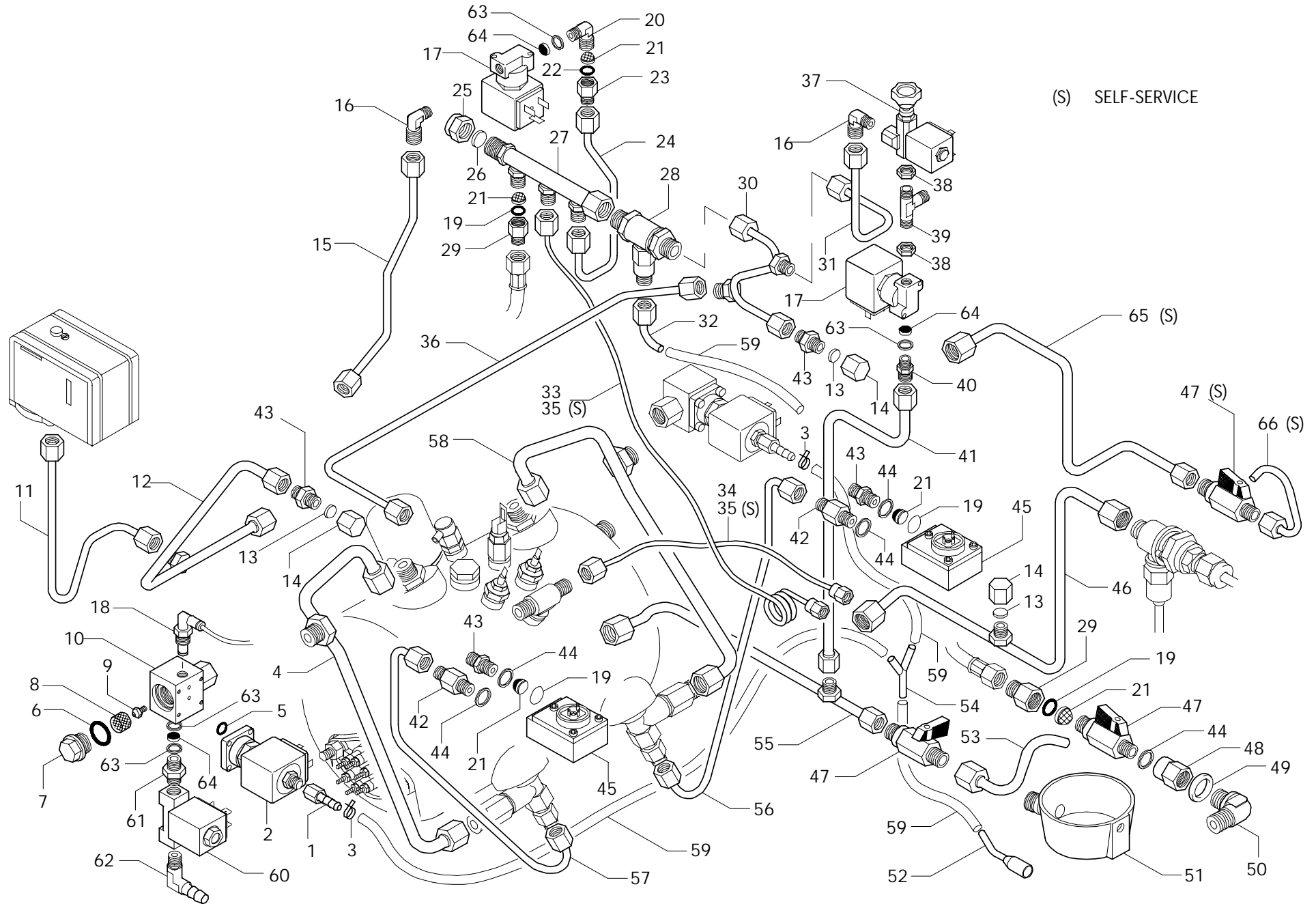
U.S.A.

*Impianto
idraulico*

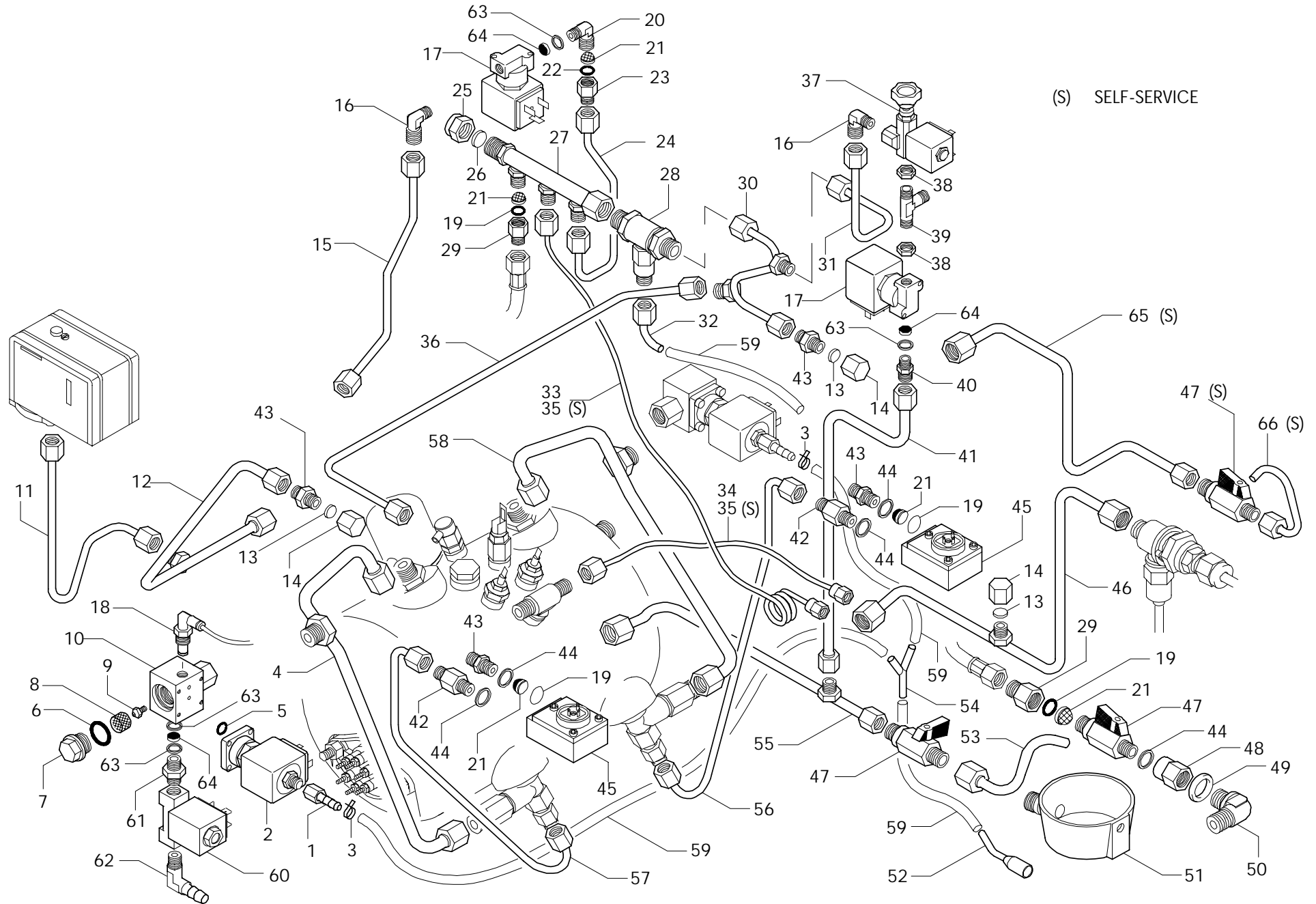
*Hydraulic
circuit*

*Circuit
hydraulique*

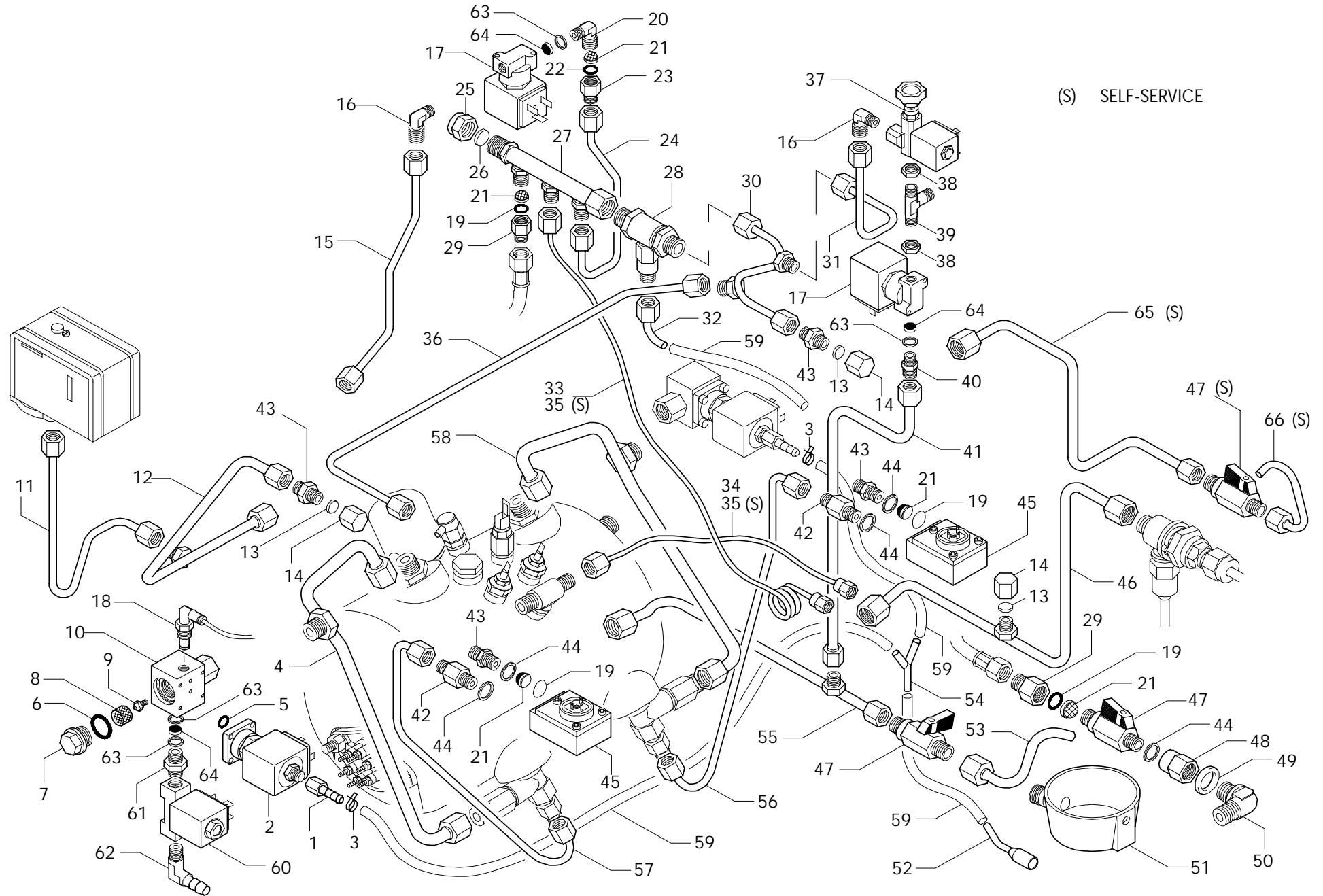
*Wasser
anlage*



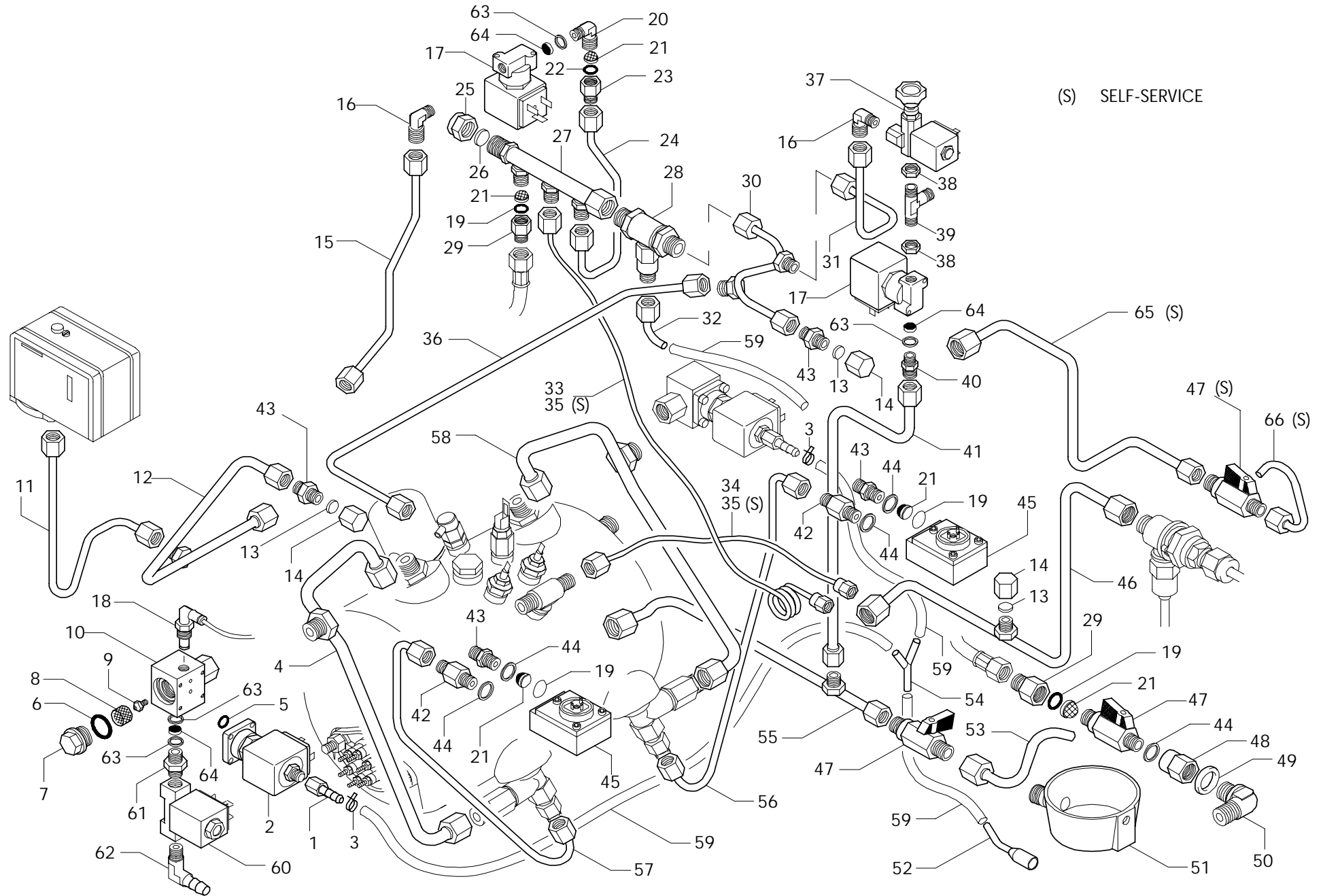
Pos	Cod.	Denominazione - IT -	Denomination - GB -	Denomination - FR -	Denomination - DE -
1	23065	DADO + PORTAGOMMA 1/8	NUT + 1/8 HOSE CONNECTI ON	ECROU + PORTE-CAOUTCHOUC 1/8	MUTTER + GUMMI HALTER 1/8
2	18151	ELETTROVALVOLA GRUPPO 220/240V 50-60HZ	GROUP SOLENOI D VALVE 220/240 50-60	ELECTROVANNE GROUPE 220/240 50-60	GRUPPENMAGNETVENTI L 220/240 50-60
3	15056001	FASCETTA BIFILARE A MOLLA D. 8, 8-9, 3	CLAMP D. 8, 8-9, 3	COLLIER D. 8, 8-9, 3	SCHELLE D. 8, 8-9, 3
4	52003854	TUBO D-10 L. 405 MK 5 SCAMB. 1GR SUP. > SC	TUBE D-10 L. 405	TUYAU D-10 L. 405	ROHR D-10 L. 405
5	12305	GUARNIZIONE OR 105 GR. ELETT. VI TON VERDE	O RING SEAL 105 GREEN VI TON SOLENOI	JOINT OR 105 GR. ELECT. VI TON VERT 70SH	O-RINGDI CHT. 105 EKELTR. EINHEIT VI TON G
6	12303	GUARNIZIONE OR 119 VI TON TAPPO GRUPPO /	CAP O RING GASKET 119	JOINT OR 119 POUR BOUCHON	OR DI CHTUNG FUR STOPFEN 119
7	25789	TAPPO GRUPPO EROGAZIONE	DI STRIBUTION GROUP CAP	BOUCHON GROUPE DEBIT	STOPFEN DER ABGABEGRUPPE
8	10252	FILTRO PER GRUPPO 10. 5X13. 5X11	GROUP FILTER 10. 5X13. 5X11	FILTRE POUR GROUPE 10. 5X13. 5X11	GRUPPENFILTER 10. 5X13. 5X11
9	10300	GIGLIEROTT. X GRUPPO D O. 8	BRASS GROUP JET D. O. 8	GICLEUR LAITON POUR GROUPE D O. 8	VERMESSINGTE GRUPPEDEUSE D O. 8
10	25779	SUPPORTO ELETTROVALVOLA 3VIE	BEARING SOLENOI D VALVE 3WAYS	SUPPORT ELECTROVANNE 3VOIES	MAGNETVENTILHALTER 3WEGS
11	52003861	TUBO D-6 L. 265 MK 12 MK 14 > PRESSOSTATO	TUBE D-6 L. 265	TUYAU D-6 L. 265	ROHR D-6 L. 265
12	52003863	TUBO D-8 L. 395 MK 14	TUBE D-8 L. 395	TUYAU D-8 L. 395	ROHR D-8 L. 395
13	12007	GUARNIZIONE KLINGERSI L4400	KLINGERSI L4400 COPPER SEAL	JOINT KLINGERSI L4400 POUR BOUCHON	DI CHTUNG KLINGER SI L4400 X DECKEL
14	25782	TAPPO FEMMINA 1/4 GAS	1/4 GAS FEMALE TAP	BOUCHON FEMELLE 1/4 GAZ	INNENANSCHLUSSSTÖPSEL 1/4 GAS
15	52003857	TUBO D-8 L. 115 MK 8 USC. AEA > ING. CALDA	TUBE D-6 L. 115	TUYAU D-6 L. 115	ROHR D-6 L. 115
16	23201	RACCORDO OTT. GOM. D6. 2 1/4X1/8-AEA	ELBOW BRASS CONNECTOR D6. 2 1/4X1/8	RACCORD COUDE LAITON D6. 2 1/4X1/8	MESSING-ANSCHLUSS D6. 2 1/4X1/8
17	18162	ELETTROVALVOLA 230V AEA VE140. 2IR VDE/UL	SOL. VALVE WATER REFILL 230V PARKER	ELECTROVANNE REA 230V PARKER	ELEKTROVENTIL AWZ 230V PARKER
18	23229100	RACCORDO RAPI DO "L" 1/8 D-4	1/8 4-D "L" QUI CK COUPLING	RACCORD RAPI DE "L" 1/8 D-4	STECKVERBINDUNG "L" 1/8 D-4
19	12329	GUARNIZIONE OR 2031 VI TON 7. 66XW1. 78 H2O	O RING 2031 VI TON 7. 66XW1. 78	JOINT OR 2031 VI TON 7. 66X1. 78	OR DI CHTUNG 2031 VI TON 7. 66XW1. 78
20	23217	RACCORDO GOMITO D10 3/8X1/8 CON AEA F 1.	FITTING D10 3/8X1/8 WITH AWI F 1. 2	RACCORD GOMME D10 3/8X1/8 AEE F 1. 2	FITTING D10 3/8X1/8 MIT A. W. F. 1. 2
21	10254	FILTRO ACCIAIO 160-200 MESH	STEEL FILTER 160-200 MESH	FILTRE EN ACIER 160-200 MESH	STAHLFILTER 160-200 MESH
22	12312	GUARNIZIONE OR FILTRO AEA 10X2	O RING FOR WATER REFILL FILTER 10X2	JOINT OR FILTRE AUT. REM. EAU 10X2	OR DI CHTUNG FUR WASSERFÜLLUNGFILTER
23	25705	RACCORDO FILTRO AEA	AUT. WATER REFILL FILTER CONNECTOR	RACCORD FILTRE REM. EAU. AUT.	FILTERFITTING AUT. WASSERFÜLLUNG
24	52003850	TUBO D-6 L. 100 1 DI STRIB. > EV AEA	TUBE D-6 L. 100	TUYAU D-6 L. 100	ROHR D-6 L. 100
25	25781	TAPPO FEMMINA 3/8	FEMALE CAP 3/8	BOUCHON FEMELLE 3/8	STOPFEN 3/8
26	12402	GUARNIZIONE PASTICCA KLINGERSI L4400 15X3	GASKET KLINGERSI L4400 15X3	JOINT KLINGERSI L4400 15X3	DI CHTUNG KLINGER SI L4400 15X3
27	56136004	ASSIEME BLOCCO DI STRIBUZ. 2-3-4GR	DI STRIBUTION BLOCK 2-3-4GR	BLOC DI STRIBUTION 2-3-4GR	BLOCK VERTEILER 2-3-4GR
28	20361	VALVOLA S. C. N. R. REGOLABILE	ADJUSTABLE S. C. N. R. VALVE	SOUPAPE S. C. N. R. REGLABLE	EINSTELLBARES VENTIL S. N. C. R.
29	25715007	RACCORDO DRI TTO 1/4F 1/4M FORO D-6	STRAIGHT FITTING, 1/4F 1/4M 6-D HOLE	RACCORD DROIT 1/4F 1/4M TROU D-6	GERADER ANSCHLUSS 1/4 MUFFE 1/4 STECKER
30	52003851	TUBO D-6 L. 165 MK 2 USCITA SCNR > IN DOS	TUBE D-6 L. 165	TUYAU D-6 L. 165	ROHR D-6 L. 165
31	52003862	TUBO D-6 L. 250 MK 13 MK2 > MISCELATORE T	TUBE D-6 L. 250	TUYAU D-6 L. 250	ROHR D-6 L. 250
32	52002898	TUBO D-6 L. 50 3 W169	D-6 50 L3 PIPE W169	TUYAU D-6 L. 50 3 W1	ROHR D. 6 L. 50 3 W1
33	52000110	TBS. D-4 L. 730 1-4GR A 44	TUBE D-4 L. 730 1-4 GR A 44	TUYAU D-4 L. 730 1-4GR A 44	ROHR D-4 L. 730 1-4GR A 44
34	52001433	TBS. D-4 L. 310 2-3GR CTS AR 56 CALDAIA >	TUBE D-4 L. 310	TUYAU D-4 L. 310	ROHR D-4 L. 310
35	52002770	TBS. D-4 L. 900 2GR W 57POMPA > MANOMETRO	TUBE D-4 L. 900	TUYAU D-4 L. 900	ROHR D-4 L. 900
36	52003852	TUBO D-6 L. 570 ECO 3 IN. DOS. 1GR	TUBE D-6 L. 570	TUYAU D-6 L. 570	ROHR D-6 L. 570
37	18161988	ELETTROVALVOLA AEA REGOLAZIONE PORTATA 2	AEA CAPACITY ADJUSTMENT SOLENOI D VALVE 2	ELECTROVANNE AEA REGLAGE DEBIT 230V	ELEKTROVENTIL AEA DURCHFLOSSLEISTUNG 230



Pos	Cod.	Denominazione - IT -	Denomination - GB -	Denomination - FR -	Denomination - DE -
38	25395	DADO 1/8 MANOMETRO	1/8 NUT GAUGE	ECROU 1/8 MANOMETRE	MUTTER 1/8 MANOMETER
39	23211	RACCORDO OTT. "T" 1/8X1/8X1/8 30006	BRASS CONNECTOR 'T' 1/8X1/8X1/8	RACCORD LAITON "T" 1/8X1/8X1/8	MESSING FITTING "T" 1/8X1/8X1/8
40	25707	RACCORDO 1/8X1/4	CONNECTOR 1/8X1/4	RACCORD 1/8X1/4	ANSCHLUSS 1/8X1/4
41	52003860	TUBO D-8 L. 395 MK 11 SCARICO CALD. > EV	TUBE D-8 L. 395	TUYAU D-8 L. 395	ROHR D-8 L. 395
42	25708	RACCORDO 1/4X1/4	1/4X1/4 FITTING	RACCORD 1/4X1/4	ANSCHLUSS 1/4X1/4
43	25686	RACCORDO 1/4X1/4 FLANGIA	CONNECTOR 1/4 X 1/4 FLANGE	RACCORD 1/4 X 1/4 BRI DE	ANSCHLUSS 1/4X1/4 FLANSCH
44	12153	GUARNI ZIONE CU 1/4 17X13. 3X1. 5	1/4 17X13. 3X1. 5 COPPER SEAL	JOINT CUIVRE 1/4 17X13. 3X1. 5	KUPFERDICHTUNG 1/4 17X13. 3X1. 5
45	18126	DOSATORE FLOWMETER FH 12 909602	FH 12 907613 FLOWMETER DOSER	DOSEUR FLOWMETER FH 12 907613	DOSIERER FLOWMETER FH 12 907613
46	52003858	TUBO D-8 L. 505 MK 9 CALDAIA > RUB. VAPORE	TUBE D-8 L. 505	TUYAU D-8 L. 505	ROHR D-8 L. 505
47	20354	VALVOLA CHIUSURA AEA	PRESSURE RELEASE TAP BULK UNIT	CLAPET FERMETURE AUT. ARRIVEE EAU	ABSPERRVENTIL X AUT. WASSERZUFUHR
48	25741	RIDUZIONE AEA MOTORE INCORPORATO	AUTOMATIC WATER REDUCTION	REDUCTION REMPLISSAGE EAU AUTOMAT.	REDUKTION AUT. WASSERFILLUNG
49	12101	GUARNI ZIONE CU/ALUM 3/8 22X17X3	3/8 22X17X3 FEEDER/COPPER SEAL	JOINT CUIVRE/ALUM 3/8 22X17X3	KUPFERDICHTUNG/SPEIS. 3/8 22X17X3
50	43052	RACCORDO "L" 3/8	CONNECTOR 'L' 3/8	RACCORD 'L' 3/8	ANSCHLUSS 'L' 3/8
51	15502	VASCHETTA SCARICO ROTONDA D 80	ROUND DRAIN BASIN D. 80MM	CUVEAVIDANGER RONDE D. 80MM	RUNDE ABFLUSSCHALE D. 80MM
52	52002884	TUB. D-6 L. 55 WSN/28 SCARICO ELETTRIC.	TUBE D-6 L. 55	TUYAU D-6 L. 55	ROHR D-6 L. 55
53	52000267	TBS. D-8 L. 100 DV 68 RUBINETTO DI SCARICO	D-8 100 L PIPE DV 68	TUYAU D-8 L. 100 DV 6	ROHR D. 8 L. 100 DV 6
54	15422005	RACCORDO "Y" POLIPROPILENE D-8 ART. 466	CONNECTOR "Y" POLYPROPYLENE D-8	RACCORD "Y" POLYPROP. D8 ART. 466	ANSCHLUSSTUCK "Y" D-8 ART. 466
55	52003859	TUBO D-8 L. 305 MK 10 SCARICO CALDAIA > R	TUBE D-8 L. 305	TUYAU D-8 L. 305	ROHR D-8 L. 305
56	52003855	TUBO D-6 L. 420 MK 6 USC. DOS. GR2 > INIETT	TUBE D-6 L. 420	TUYAU D-6 L. 420	ROHR D-6 L. 420
57	52003853	TUBO D-6 L. 400 MK 4	TUBE D-6 L. 400	TUYAU D-6 L. 400	ROHR D-6 L. 400
58	52003856	TUBO D-10 L. 405 MK 7	TUBE D-10 L. 405	TUYAU D-10 L. 405	ROHR D-10 L. 405
59	15476001	TUBO SILICONO 4X8 KGXMT 0.044	SILICONO PIPE 4X8 KGXMT 0.044	TUBE SILICONO 4X8 KGXMT 0.044	SILIKONSCHLAUCH 4X8 KGXMT 0.044
60	18180001	ELETTROVALVOLA 2V 1/8 H2O/VAP 230V VE191	1/8 H2O/ST. 2-WAY SOLENOID 230V VE191HV	ELECTROVAN. 2V 1/8 H2O/VAP 230V VE191HV	ELEKTR. 2V 1/8 H2O/VAP 230V VE191HV SH08
61	23210	RACCORDO DIRITTO D4 1/8X1/8 CON L. 5 1100	STRAIGHT FITTING D4 1/8X1/8 CONICAL	RACC. DROIT D4 1/8X1/8 CONIQUE L. 5 11006	GERADER ANSCHLUSS D4 1/8X1/8 MIT L. 5 110
62	4523216	RACCORDO OTT. GOM. 1/8M CON+P. GOMMA D6 NI	FITTING 1/8	RACCORD 1/8	ANSCHLUSSTUCK 1/8
63	12155	GUARNI ZIONE CU 8. 5X5X1	COPPER GASKET 8. 5X5X1	JOINT CU 8. 5X5X1	CU DICHTUNG 8. 5X5X1
64	10251001	FILTRO IN ACCIAIO D-8 SP. 0, 3	STEEL FILTER D-8 - 0.3 THICK	FILTRE EN ACIER D-8 EP. 0, 3	STAHLFILTER D-8 SP. 0, 3
65	52003868	TUBO D-8 L. 450 MK 20	TUBE D-8 L. 450 MK 20	TUYAU D-8 L. 450 MK 20	ROHR D-8 L. 450 MK 20
66	52001350	TUB. D-6 L. 105 2GR SAE LD 41	D-6 105 L PIPE 2GR SAE LD 41	TUYAU D-6 L. 105 2GR SAE LD 41	ROHR D-6 L. 105 2GR SAE LD 41



Pos	Cod.	Denominazione - IT -	Denomination - GB -	Denomination - FR -	Denomination - DE -
1	23065	DADO + PORTAGOMMA 1/8	NUT + 1/8 HOSE CONNECTI ON	ECROU + PORTE-CAOUTCHOUC 1/8	MUTTER + GUMMI HALTER 1/8
2	18151	ELETTROVALVOLA GRUPPO 220/240V 50-60HZ	GROUP SOLENOI D VALVE 220/240 50-60	ELECTROVANNE GROUPE 220/240 50-60	GRUPPENMAGNETVENTI L 220/240 50-60
3	15056001	FASCETTA BI FI LARE A MOLLA D. 8, 8-9, 3	CLAMP D. 8, 8-9, 3	COLLI ER D. 8, 8-9, 3	SHELLE D. 8, 8-9, 3
4	52903854	TUBO D-10 L. 405 MK 5 NI	TUBE D-10 L. 405 MK 5 NI	TUYAU D-10 L. 405 MK 5 NI	ROHR D-10 L. 405 MK 5 NI
5	12305	GUARNI ZI ONE OR 105 GR. ELETT. VI TON VERDE	O RI NG SEAL 105 GREEN VI TON SOLENOI	JOI NT OR 105 GR. ELECT. VI TON VERT 70SH	O-RI NGDI CHT. 105 EKELTR. EI NHEI T VI TON G
6	12303	GUARNI ZI ONE OR 119 VI TON TAPPO GRUPPO /	CAP O RI NG GASKET 119	JOI NT OR 119 POUR BOUCHON	OR DI CHTUNG FUR STOPFEN 119
7	25789002	TAPPO GRUPPO EROGAZI ONE NI	DI STRI BUTI ON GROUP CAP NI	BOUCHON GROUPE DEBI T NI	STOPFEN DER ABGABEGRUPPE NI
8	10252	FI LTRO PER GRUPPO 10. 5X13. 5X11	GROUP FI LTER 10. 5X13. 5X11	FI LTRE POUR GROUPE 10. 5X13. 5X11	GRUPPENFI LTER 10. 5X13. 5X11
9	10311	GI GLER I NOX X GRUPPO D O. 8 ETL	S. STEEL JET FOR GROUP D O. 8 ETL	GI GLEUR I NOX POUR GROUPE DI AM. O. 8 ETL	GI GLER AUS STAHL FUR GRUPPE D O. 8 ETL
10	4525779	SUPPORTO ELETTROVALVOLA 3VI E NI	BEARI NG SOLENOI D VALVE 3WAYS NI	SUPPORT ELECTROVANE 3VOI ES NI	MAGNETVENTI LHALTER 3WEGS NI
11	52003861	TUBO D-6 L. 265 MK 12 MK 14 > PRESSOSTATO	TUBE D-6 L. 265	TUYAU D-6 L. 265	ROHR D-6 L. 265
12	52903863	TUBO D-8 L. 395 MK 14 NI	TUBE D-8 L. 395 MK 14 NI	TUYAU D-8 L. 395 MK 14 NI	ROHR D-8 L. 395 MK 14 NI
13	12007	GUARNI ZI ONE KLI NGERSI L4400	KLI NGERSI L4400 COPPER SEAL	JOI NT KLI NGERSI L4400 POUR BOUCHON	DI CHTUNG KLI NGER SI L4400 X DECKEL
14	4525782	TAPPO FEMMI NA 1/4 GAS NI	1/4 GAS FEMALE TAP NI	BOUCHON FEMELLE 1/4 GAZ NI	I NNENANSCHLUSSTOPSEL 1/4 GAS NI
15	52903857	TUBO L. 115 MK 8 NI	TUBE D-6 L. 115 MK 8 NI	TUYAU D-6 L. 115 MK 8 NI	ROHR D-6 L. 115 MK 8 NI
16	4523201	RACCORDO OTT. GOM. D6, 2 1/4X1/8 AEA NI	ELBOW BRASS CONNECTOR D6. 2 1/4X1/8NI ETL	RACCORD COUDE LAI TON D6. 2 1/4X1/8 NI ETL	MESSI NG FI TTI NG D6. 2 1/4X1/8 NI ETL
17	18162	ELETTROVALVOLA 230V AEA VE140. 2I R VDE/UL	SOL. VALVE WATER REFI LL 230V PARKER	ELECTROVANNE REA 230V PARKER	ELEKTROVENTI L AWZ 230V PARKER
18	23229100	RACCORDO RAPI DO "L" 1/8 D-4	1/8 4-D "L" QUI CK COUPLI NG	RACCORD RAPI DE "L" 1/8 D-4	STECKVERBI NDUNG "L" 1/8 D-4
19	12329	GUARNI ZI ONE OR 2031 VI TON 7. 66XW1. 78 H2O	O RI NG 2031 VI TON 7. 66XW1. 78	JOI NT OR 2031 VI TON 7. 66X1. 78	OR DI CHTUNG 2031 VI TON 7. 66XW1. 78
20	4523217	RACCORDO "L" D-10 3/8X1/8 CON F1. 2 NI	FI TTI NG D10 NI ETL	RACCORD GOMME D10 NI ETL	FI TTI NG D10 NI ETL
21	10254	FI LTRO ACCI AI O 160-200 MESH	STEEL FI LTER 160-200 MESH	FI LTRE EN ACI ER 160-200 MESH	STAHLFI LTER 160-200 MESH
22	12312	GUARNI ZI ONE OR FI LTRO AEA 10X2	O RI NG FOR WATER REFI LL FI LTER 10X2	JOI NT OR FI LTRE AUT. REM. EAU 10X2	OR DI CHTUNG FUR WASSERFULLUNGFI LTER
23	4525705	RACCORDO FI LTRO AEA NI	FI LTER CONNECTOR AEA NI	RACCORD FI LTRE AEA NI	MESSI NG FI LTER AEA NI
24	52003850	TUBO D-6 L. 100 1 DI STRI B. > EV AEA	TUBE D-6 L. 100	TUYAU D-6 L. 100	ROHR D-6 L. 100
25	4525781	TAPPO FEMMI NA 3/8 NI	FEMALE CAP 3/8 NI	BOUCHON FEMELLE 3/8 NI	STOPFEN 3/8 NI
26	12402	GUARNI ZI ONE PASTI CCA KLI NGERSI L4400 15X3	GASKET KLI NGERSI L4400 15X3	JOI NT KLI NGERSI L4400 15X3	DI CHTUNG KLI NGERSI L4400 15X3
27	45561364	ASSI EME BLOCCO DI STRI BUZ. 2-3-4GR NI	DI STRI BUTI ON BLOCC 2-3-4GR NI	BLOC DI STRI BUTI ON 2-3-4GR NI	BLOCK VERTEI LER 2-3-4GR NI
28	20361001	VALVOLA S. C. N. R. REGOLABI LE NI	ADJUSTABLE VALVE S. C. N. R. NI CHELATED	SOUPAPE S. C. N. R. REGLABLE NI	EI NSTELLBARES VENTI L S. C. N. R. NI
29	45259971	RACCORDO DRI TTO 1/4F 1/4M FORO D-6 NI	STRAI GHT FI TTI NG 1/4F 1/4M 6-D NI	RACCORD DROI T 1/4F 1/4M TROU D-6 NI	GERADER ANSCHLUSS 1/4MUFFE 1/4STECKER NI
30	52903851	TUBO D-6 L. 165 MK 2 NI	TUBE D-6 L. 165 MK 2 NI	TUYAU D-6 L. 165 MK 2 NI	ROHR D-6 L. 165 MK 2 NI
31	52003862	TUBO D-6 L. 250 MK 13 MK2 > MI SCELATORE T	TUBE D-6 L. 250	TUYAU D-6 L. 250	ROHR D-6 L. 250
32	52002898	TUBO D-6 L. 50 3 W169	D-6 50 L3 PI PE W169	TUYAU D-6 L. 50 3 W1	ROHR D. 6 L. 50 3 W1
33	52900110	TBS. D-4 L. 730 1-4GR A 44 NI RI CAVATO DA	TUBE D-4 L. 730 1-4GR A44 NI ETL	TUYAU D-4 L. 730 1-4GR A44 NI ETL	ROHR D-4 L. 730 1-4GR A44 NI ETL
34	52901433	TUBO D-4 L. 310 2-3GR AR 56 NI	TUBE D-4 L. 310 2-3GR AR 56 NI	TUYAU D-4 L. 310 2-3GR AR 56 NI	ROHR D-4 L. 310 2-3GR AR 56 NI
35	52902770	TBS. D-4 L. 900 2GR W 57 NI RI CAVATO DA NI	TUBE D-4 L. 900 2GR W57 NI ETL	TUYAU D-4 L. 900 2GR W57 NI ETL	ROHR D-4 L. 900 2GR W57 NI ETL
36	52003852	TUBO D-6 L. 570 ECO 3 I N. DOS. 1GR	TUBE D-6 L. 570	TUYAU D-6 L. 570	ROHR D-6 L. 570
37	18161988	ELETTROVALVOLA AEA REGOLAZI ONE PORTATA 2	AEA CAPACI TY ADJUSTMENT SOLENOI D VALVE 2	ELECTROVANNE AEA REGLAGE DEBI T 230V	ELEKTROVENTI L AEA DURCHFLOSSLEI STUNG 230



Pos	Cod.	Denominazione - IT -	Denomination - GB -	Denomination - FR -	Denomination - DE -
38	4525395	DADO 1/8 MANOMETRO NI	1/8 NUT GAUGE NI	ECROU 1/8 MANOMETRE NI	MUTTER 1/8 MANOMETER NI
39	4523211	RACCORDO OTT. "T" 1/8X1/8X1/8 30006 NI	"T" CONNECTOR 1/8X1/8X1/8 NI	RACCORD LAI TON "T" 1/8X1/8X1/8 NI	MESSING FITTING "T" 1/8X1/8X1/8 NI
40	4525707	RACCORDO 1/8X1/4 NI	CONNECTOR 1/8X1/4 NI	RACCORD 1/8X1/4 NI	MESSING 1/8X1/4 NI
41	52903860	TUBO D-8 L. 395 MK 11 NI	TUBE D-8 L. 395 MK 11 NI	TUYAU D-8 L. 395 MK 11 NI	ROHR D-8 L. 395 MK 11 NI
42	4525708	RACC. 1/4X1/4 GRUPPO LEVETTA NI	1/4X1/4 FITTING NI	RACCORD 1/4X1/4 NI	ANSCHLUSS 1/4X1/4 NI
43	4525686	RACCORDO 1/4X1/4 FLANGIA NI	CONNECTOR 1/4 X 1/4 FLANGE NI ETL	RACCORD 1/4 X 1/4 BRI DE NI ETL	FITTING 1/4 X 1/4 FLANSCH NI ETL
44	12153	GUARNI ZI ONE CU 1/4 17X13. 3X1. 5	1/4 17X13. 3X1. 5 COPPER SEAL	JOINT CUI VRE 1/4 17X13. 3X1. 5	KUPFERDI CHTUNG 1/4 17X13. 3X1. 5
45	18126	DOSATORE FLOWMETER FH 12 909602	FH 12 907613 FLOWMETER DOSER	DOSEUR FLOWMETER FH 12 907613	DOSIERER FLOWMETER FH 12 907613
46	52903858	TUBO D-8 L. 505 MK 9 NI	TUBE D-8 L. 505 MK 9 NI	TUYAU D-8 L. 505 MK 9 NI	ROHR D-8 L. 505 MK 9 NI
47	4520354	VALVOLA CHI USURA AEA NI	PRESSURE RELEASE TAP BULK UNIT NI	CLAPET FERMETURE AUT. ENTREE D'EAU NI	ABSPERRVENTIL X AUT. WASSERZUFUHR NI
48	4525741	RI DUZI ONE AEA MOTORE INCORP. NI	AUTOMATIC WATER REFILL REDUCTION NI ETL	REDUCTION REMPLISSAGE EAU AUTOMAT. NI ETL	REDUKTION AUT. WASSERFILLUNG NI ETL
49	12101	GUARNI ZI ONE CU/ALIM 3/8 22X17X3	3/8 22X17X3 FEEDER/COPPER SEAL	JOINT CUI VRE/ALIM 3/8 22X17X3	KUPFERDI CHTUNG/SPEIS. 3/8 22X17X3
50	4543052	RACCORDO "L" 3/8 NI	CONNECTOR "L" 3/8 NI ETL	RACCORD "L" 3/8 NI ETL	FITTING "L" 3/8 NI ETL
51	15502	VASCHETTA SCARICO ROTONDA D 80	ROUND DRAIN BASIN D. 80MM	CUVE A VINDANGER RONDE D. 80MM	RUNDE ABFLUSSCHALE D. 80MM
52	52002884	TUB. D-6 L. 55 WSN/28 SCARICO ELETTRIV.	TUBE D-6 L. 55	TUYAU D-6 L. 55	ROHR D-6 L. 55
53	52000267	TBS. D-8 L. 100 DV 68 RUBINETTO DI SCARICO	D-8 100 L PIPE DV 68	TUYAU D-8 L. 100 DV 6	ROHR D. 8 L. 100 DV 6
54	15422005	RACCORDO "Y" POLI PROPYLENE D-8 ART. 466	CONNECTOR "Y" POLYPROPYLENE D-8	RACCORD "Y" POLYPROP. D8 ART. 466	ANSCHLUSSTUCK "Y" D-8 ART. 466
55	52903859	TUBO D-8 L. 305 MK 10 NI	TUBE D-8 L. 305 MK 10 NI	TUYAU D-8 L. 305 MK 10 NI	ROHR D-8 L. 305 MK 10 NI
56	52903855	TUBO D-6 L. 420 MK 6 NI	TUBE D-6 L. 420 MK 6 NI	TUYAU D-6 L. 420 MK 6 NI	ROHR D-6 L. 420 MK 6 NI
57	52903853	TUBO D-6 L. 400 MK 4 NI	TUBE D-6 L. 400 MK 4 NI	TUYAU D-6 L. 400 MK 4 NI	ROHR D-6 L. 400 MK 4 NI
58	52903856	TUBO D-10 L. 405 MK 7 NI	TUBE D-10 L. 405 MK 7 NI	TUYAU D-10 L. 405 MK 7 NI	ROHR D-10 L. 405 MK 7 NI
59	15476001	TUBO SILI CONE 4X8 KGXMT O. 044	SILI CONE PIPE 4X8 KGXO. 044M	TUBE SILI CONE 4X8 KGXMT O. 044	SILI KONSCHLAUCH 4X8 KGXMT O. 044
60	18180001	ELETTRIVALVOLA 2V 1/8 H2O/VAP 230V VE191	1/8 H2O/ST. 2-WAY SOLENOID 230V VE191HV	ELECTROVAN. 2V 1/8 H2O/VAP 230V VE191HV	ELEKTR. 2V 1/8 H2O/VAP 230V VE191HV SH08
61	4523210	RACC. OTT. DRI. D4 1/8X1/8 CON NI	STRAIGHT FITTING D4 1/8X1/8 NI ETL	RACC. DROIT D4 1/8X1/8 NI ETL	GERADER ANSCHLUSS D4 1/8X1/8 NI ETL
62	4523216	RACCORDO OTT. GOM. 1/8M CON+P. GOMMA D6 NI	FITTING 1/8	RACCORD 1/8	ANSCHLUSSTUCK 1/8
63	12155	GUARNI ZI ONE CU 8. 5X5X1	COPPER GASKET 8. 5X5X1	JOINT CU 8. 5X5X1	CUDI CHTUNG 8. 5X5X1
64	10251001	FILTRO IN ACCIAIO D-8 SP. 0, 3	STEEL FILTER D-8 - 0. 3 THICK	FILTRE EN ACIER D-8 EP. 0, 3	STAHLFILTER D-8 SP. 0, 3
65	52003868	TUBO D-8 L. 450 MK 20	TUBE D-8 L. 450 MK 20	TUYAU D-8 L. 450 MK 20	ROHR D-8 L. 450 MK 20
66	52001350	TUB. D-6 L. 105 2GR SAE LD 41	D-6 105 L PIPE 2GR SAE LD 41	TUYAU D-6 L. 105 2GR SAE LD 41	ROHR D-6 L. 105 2GR SAE LD 41

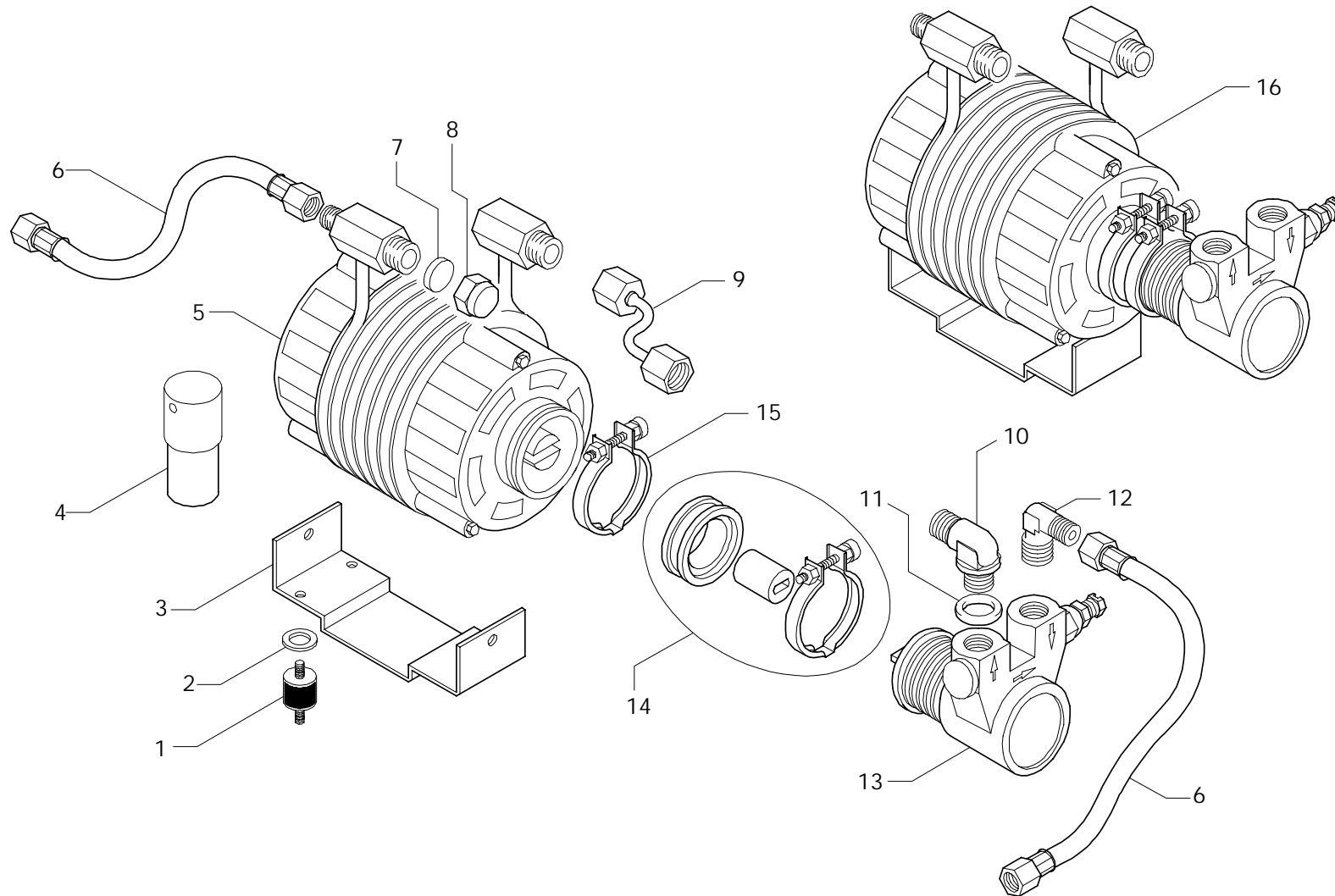
AMOT

INDICE - INDEX - SOMMAIRE - VERZEICHNIS

AMOT-01

MOTOPOMPA - MOTOR PUMP - MOTOPOMPE

*Motopompa
Motor pump
Motopompe*



Pos	Cod.	Denominazione - IT -	Denomination - GB -	Denomination - FR -	Denomination - DE -
1	15105	GOMMA AMMORTI ZZATORE X MOTORE RAF. H2O ZE	RUBBER FOR WATER COOLED MOTOR ZEC.	CAOUTCHOUC POUR MOTEUR REFROI D. EAU ZEC.	GUMMI X WASSERGEKÜHLTER MOTOR ZEC.
2	23265	RONDELLA GREMB. I NOX 4X12 UNI 6593	STAINLESS WASHER 4X12 UNI 6593	RONDELLE I NOX 4X12 UNI 6593	STAHLSCHEIBE 4X12 UNI 6593
3	78174	SUPPORTO MOTORE INCORPORATO R. P. M.	MOTOR BEAR. RPM	SUPPORT MOT. RPM	EINGEBAUTER MOTORHALTER RPM
4	19062	CONDENSATORE MOTORE 230V6UF Y001400	MOTOR CAPACITOR 230V 6UF Y001400	CONDENSATEUR MOTEUR 230V6UF Y001400	KONDENSATOR MOTOR 230V 6UF Y001400
5	56406	MOT. RPM NI 230V 50/60 R. H2O ASSIEME	MOTOR RPM 230V 50/60HZ H2O	MOTEUR RPM 230V 50/60HZ H2O	MOTOR RPM 230V 50/60HZ H2O
6	30401	TUBOFLEX 1/4FF P. GOMMA CON. L28 NI	1/4 FEMALE FLEX PIPE CONICAL HOSE F	TUYAU FLEX 1/4 FF PORTE-TUYAU	SCHLAUCH 1/4 AUFNAHMETÜR GUMMI KONI
7	12402	GUARNI ZIONE PASTI CCA KLINGERSI L4400 15X3	GASKET KLINGERSI L4400 15X3	JOINT KLINGERSI L4400 15X3	DIHTUNG KLINGERSI L4400 15X3
8	25781	TAPPO FEMMINA 3/8	FEMALE CAP 3/8	BOUCHON FEMELLE 3/8	STOPFEN 3/8
9	52003864	TUBO D-6 L. 60 MK 15 POMPA > MOTORE	TUBE D-6 L. 60	TUYAU D-6 L. 60	ROHR D-6 L. 60
9	52903864	TUBO D-6 L. 60 MK 14 NI	TUBE D-6 L. 60 MK 15 NI	TUYAU D-6 L. 60 MK 15 NI	ROHR D-6 L. 60 MK 15 NI
10	43052	RACCORDO "L" 3/8	CONNECTOR "L" 3/8	RACCORD "L" 3/8	ANSCHLUSS "L" 3/8
10	4543052	RACCORDO "L" 3/8 NI	CONNECTOR "L" 3/8 NI ETL	RACCORD "L" 3/8 NI ETL	FITTING "L" 3/8 NI ETL
11	12101	GUARNI ZIONE CU/ALUM 3/8 22X17X3	3/8 22X17X3 FEEDER/COPPER SEAL	JOINT CUIVRE/ALUM 3/8 22X17X3	KUPFERDIHTUNG/SPEIS. 3/8 22X17X3
12	23202	RACCORDO GOM. D8. 2 3/8X1/4 CON 24001014	ELBOW BRASS CONNECTOR D8. 2 3/8X1/4	RACCORD COUDE LAITON D8. 2 3/8X1/4	MESSING-ANSCHLUSS D8. 2 3/8X1/4
12	4523202	RACCORDO "L" D-8, 2 3/8X1/4 CON NI	CONNECTOR ELBOW D-8 3/8X1/4 CON NI	RACCORD COUDE LAITON D8, 2 3/8X1/4 NI	MESSINGFITTING D8, 2 3/8X1/4 NI
13	26303	POMPA PO 204 BY PASS ETL	PO 204 BY PASS PUMP ETL	POMPE PO 204 BY PASS ETL	PUMPE PO 204 BY PASS ETL
14	26310002	KIT DI SACCOPPIAMENTO MOTORE-POMPA	KIT COUPLING MOTOR-PUMP	KIT ACCOUPLEMENT MOTEUR-POMPE	KIT MOTOR-PUMPE KUPPLUNG
15	26310003	FASCETTA GIUNZIONE MOTORE-POMPA	CLAMP MOTOR-PUMP	BANDE MOTEUR-POMPE	SHELLE MOTOR-PUMPE
16	83560027R	KIT MOTOPOMPA INC. 230V	KIT MOTOR-PUMP 230V	KIT MOTEUR-POMPE 230V	KIT MOTOR-PUMPE 230V

ACSR

INDICE - INDEX - SOMMAIRE - VERZEICHNIS

ACSR-01

Carrozzeria **GRIGIO** - Body parts **GREY**
Carosserie **GRIS** - Karosserie **GRAU**

STANDARD

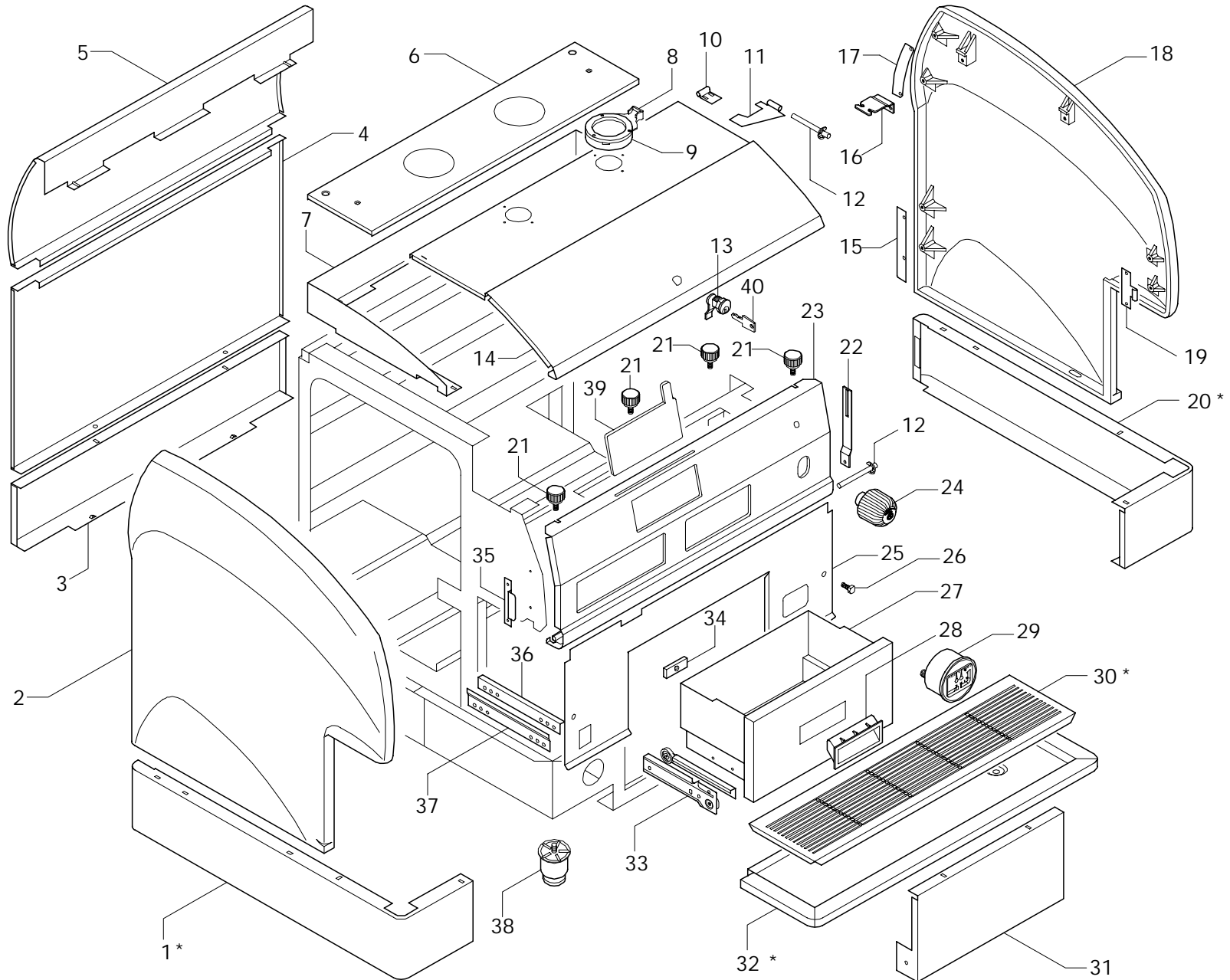
ACSR-50

Carrozzeria **GRIGIO** - Body parts **GREY**
Carosserie **GRIS** - Karosserie **GRAU**

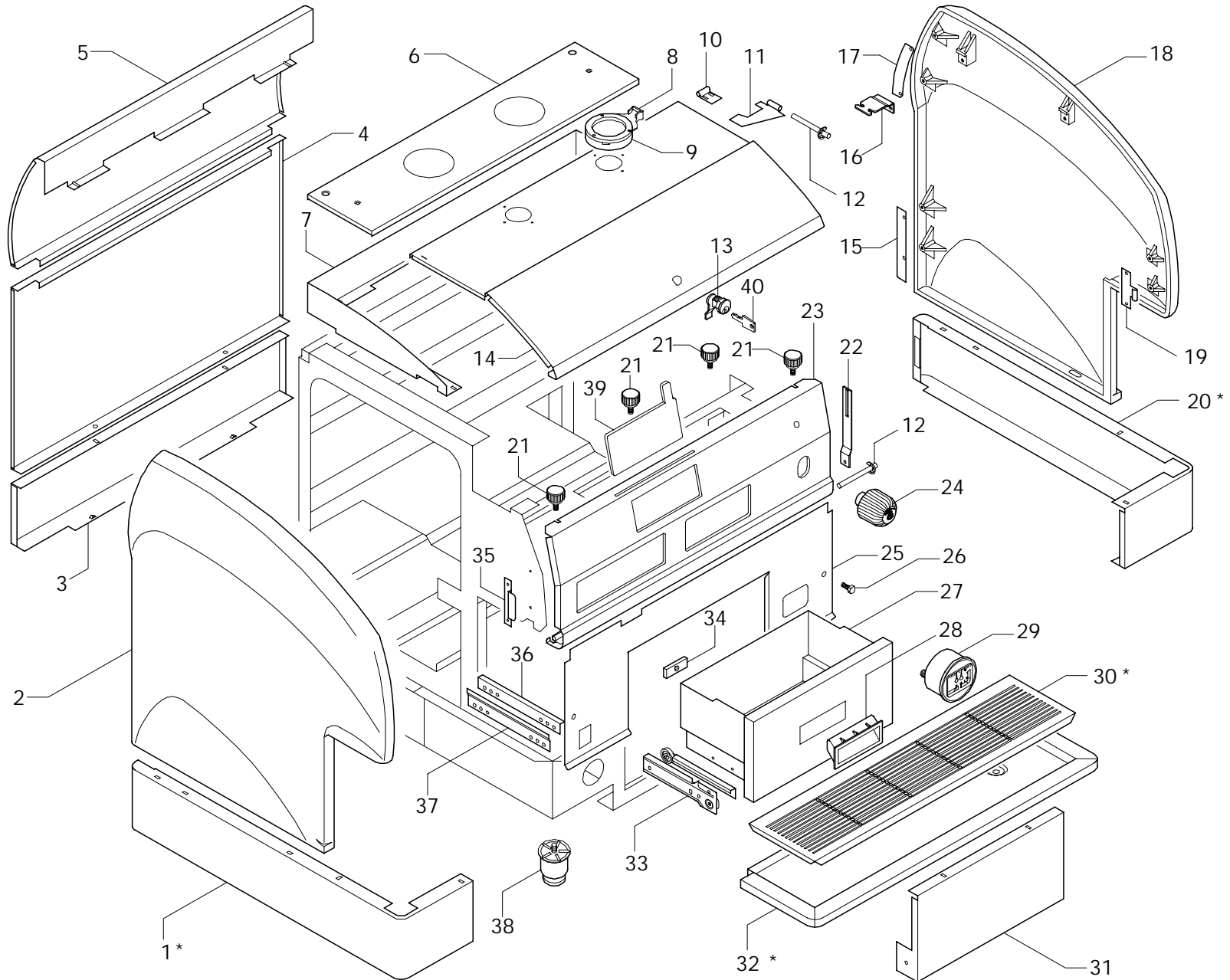
SELF-SERVICE

*Carrozzeria
Body parts
Carosserie
Karosserie*

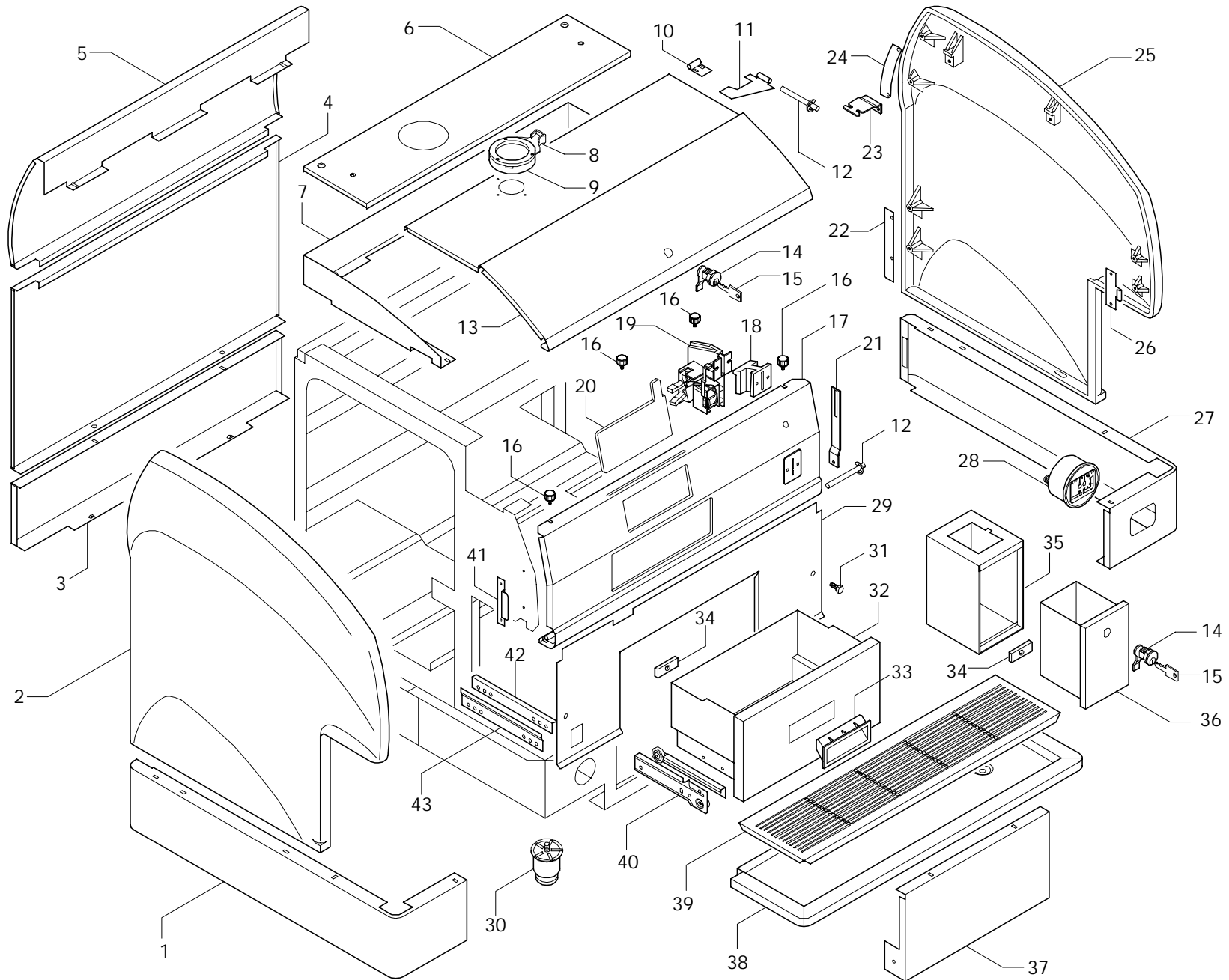
SARA



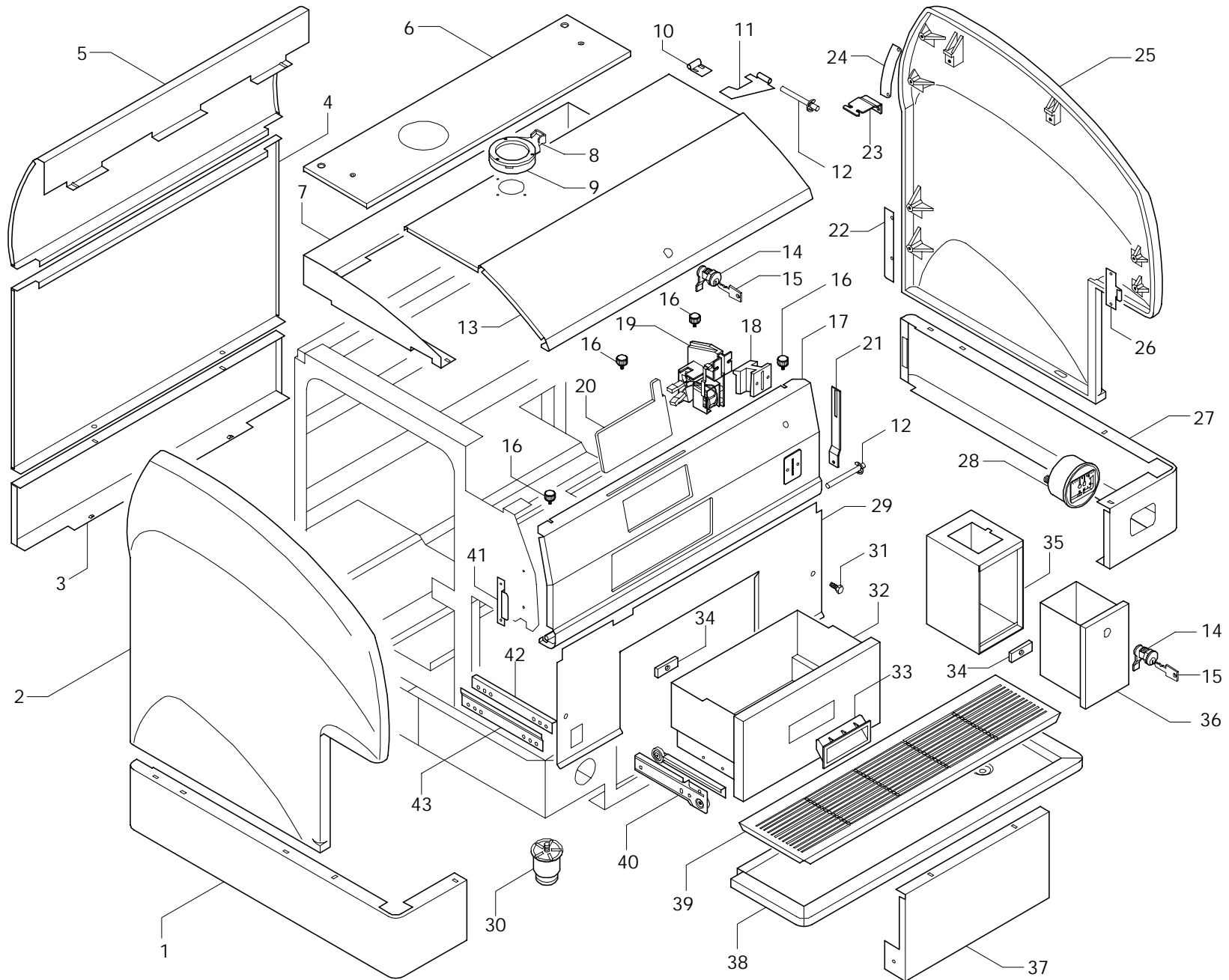
Pos	Cod.	Denominazione - IT -	Denomination - GB -	Denomination - FR -	Denomination - DE -
1	77488080	PROFI LO BASAMENTO SINISTRO GRIGIO R7021-	LEFT BASE PROFILE GREY R7021	PROFIL SOCLE GAUCHE GRIS R7021	UNTERBAUPROFIL LINKS GRAU R7021
2	73707060	FIANCO SINISTRO ROSSO R3005	RED LEFT SIDE R3005	COTE GAUCHE ROUGE R3005	LINKE SEITENBLENDE ROT R3005
3	77488060	PROFI LO BASAMENTO POST. GRIGIO R7021	REAR BASE PROFILE GREY R7021	PROFIL SOCLE ARRIERE GRIS R7021	UNTERBAUPROFIL HINTEN GRAU R7021
4	75549900	PANNELLO POSTERIORE INFER. ROSSO R3005	RED BOTTOM REAR PANEL R3005	PANNEAU POSTERIEUR INFER. ROUGE R3005	HINTERE UNTERE RUECKWAND ROT R3005
5	75549910	PANNELLO POSTERIORE SUPER. GRIGIO R7021	GREY TOP REAR PANEL R7021	PANNEAU POSTERIEUR SUPER. GRIS R7021	HINTERE OBERE RUECKWAND GRAU R7021
6	76149032	GRIGLIA SUPERIORE POSTERIORE 1GR	1GR REAR TOP GRID	GRILLE SUPERIEURE POSTERIEURE 1GR	OBERES HINTERES GITTER 1 EINHEIT
6	76149033	GRIGLIA SUPERIORE POSTERIORE 2GR	2GR REAR TOP GRID	GRILLE SUPERIEURE POSTERIEURE 2GR	OBERES HINTERES GITTER 2 EINHEITEN
7	77229100	PROFI LO INTERNO	INTERNAL PROFILE	PROFIL INTERIEUR	INNERES PROFIL
8	28326013	SERRANDA CAMPANA	HOPPER CLOSURE	VOLET CLOCHE	VERSCHLUSS FUER GLOCKE
9	15491003	SUPPORTO SUPERIORE SERRANDA IMBUTO LAVAG	TOP WASHING APERTURE CLOSING SUPPORT	SUPPORT SUPERIEUR VOLET ORIFICE LAVAGE	OBERER HALTER VERSCHLUSS WASCHTRICHTER
10	77614018	CERNIERA COPRI GRUPPO	HINGE UNIT COVER	GOND CACHE-GROUPE	SCHARNIER
11	77614019	STAFFA REGGICOPRI GRUPPO	GROUP COVER SUPPORT BRACKET	ETRIER CACHE-GROUPE	BUGEL
12	25602	PERNO D4 L43 AISIX CERNIERA FIANCO	PIN D4 L43 AISI FOR SIDE HINGE	PIVOT D4 L43 AISI POUR CHARNIERE COTE	ZAPFEN D4 L43 AISI X SCHARNIER SEITENWAN
13	30063	CILINDRO D-16 L-16 OT/NI	CYLINDER D-16 L. 16 BRASS/NICKEL	CYLINDRE D. 16 L. 16 LAITON/NICKEL	ZYLINDER D-16 L-16 ART. 102
14	72710015	COPRI GRUPPO 2GR	UNIT COVER 2GR	CACHE-GROUPE 2GR	ABDECKUNG DER EINHEITE 2GR
14	72710017	COPRI GRUPPO 1GR	UNIT COVER 1GR	CACHE-GROUPE 1GR	ABDECKUNG DER EINHEITE 1GR
15	77607004	STAFFA INFERIORE FIANCO	BOTTOM SIDE BRACKET	PLATINE INFERIEURE COTE	UNTERER BUEGEL SEITENBLENDE
16	77607008	STAFFA SUPERIORE FIANCO	TOP SIDE BRACKET	ETRIER COTE SUP.	SEITE BUEGEL OBEN
17	77607003	STAFFA SUPERIORE FIANCO	TOP SIDE BRACKET	PLATINE SUPERIEURE COTE	OBERER BUEGEL SEITENBLENDE
18	73707050	FIANCO DESTRO ROSSO R3005	RED RIGHT SIDE R3005	COTE DROIT ROUGE R3005	RECHTE SEITENBLENDE ROT R3005
19	77607006	STAFFA POSTERIORE FIANCO	REAR SIDE BRACKET	PLATINE ARRIERE COTE	HINTERER BUEGEL SEITENBLENDE
20	77488070	PROFI LO BASAMENTO DESTRO GRIGIO R7021 -C	RIGHT BASE PROFILE GREY R7021	PROFIL SOCLE DROIT GRIS R7021	UNTERBAUPROFIL RECHTS GRAU R7021
21	15259100	MANOPOLA ZIGRI NATA M4X6	KNOB M4X6	POIGNEE M4X6	HANDGRIFF M4X6
22	77614023	GUI DA FRONTONE	GUI DE FRONT	GLISSIERE FACADE	BECKENFRONTBLLENDE
23	71752060	FRONTALE 1GR GRIGIO R7021	1GR FRONT GREY R7021	FACADE 1GR GRISE R7021	FRONTBLLENDE 1 EINHEIT GRAU R7021
23	71752070	FRONTALE 1GR+CAPPUCC. GRIGIO R7021	1GR FRONT+CAPPUCCINO GREY R7021	FACADE 1GR+CAPPUCCINO GRISE R7021	FRONTBLLENDE 1 EINHEIT+CAPPUCCINO GRAU R7
23	71752080	FRONTALE 2GR GRIGIO R7021	2GR FRONT GREY R7021	FACADE 2GR GRISE R7021	FRONTBLLENDE 2 EINHEITEN GRAU R7021
23	71752090	FRONTALE 2GR+CAPPUCC. GRIGIO R7021	2GR FRONT+CAPPUCCINO GREY R7021	FACADE 2GR+CAPPUCCINO GRISE R7021	FRONTBLLENDE 2 EINHEITEN+CAPPUCCINO GRAU
23	71752140	FRONTALE 2GR+2CAPPUCC. GRIGIO R7021	2GR FRONT+CAPPUCCINO GREY R7021	FACADE 2GR+CAPPUCCINO GRISE R7021	FRONTBLLENDE 2 EINHEITEN+CAPPUCCINO GRAU
24	15275	MANOPOLA RUBINETTO VAPORE	STEAM TAP KNOB	POIGNEE ROBINET VAPEUR	DAMPFHÄHNIGRIFF
25	77062030	COPRI CALDAIA	BOILER COVER	CACHE-CHAUDIERE	KESSELABDECKUNG
25	77062031	COPRI CALDAIA SENZA CASSETTO	BOILER COVER-COFFEE GROUNTS BOX	CACHE CHAUDIERE-BOITE MARC CAFE	KESSELABDECKUNG-BEHALTER KAFFEESATZ
26	23420	VITTE OTTONE M6X12 NICHIELATA	M6X12NICKEL-PLATED BRASS HEX. HEAD SCREW	VIS TH LAITON M6X12 NICKEL	SECHSKANTSCHRAUBE AUS MESSING M6X12
27	77614006	SCATOLA FONDI CAFFE'	COFFEE GROUNTS BOX	BOITE MARC CAFE	BEHALTER KAFFEESATZ
28	15278100	MANIGLIA CASSETTO FONDI	GROUNTS DRAWER HANDLE	POIGNEE TIROIR MARC CAFE	GRIFF KAFFEESATZLADE
29	21109	MANOMETRO QUADRO DOPPIA SCALA	SQUARE GAUGE DOUBLE L. SCALE MOD	MANOMETRE TABLEAU DOUBLE ECHELLE L.	MANOMETERTAFEL DOPPELSKALI SA MOD A



Pos	Cod.	Denominazione - IT -	Denomination - GB -	Denomination - FR -	Denomination - DE -
30	76149037	GRI GLI A I NFERI ORE	LOWER GRI LL	GRI LLE I NFERI EURE	UNTERGI TTER
31	77488050	PROFI LO BASAMENTO ANT. CENTR. GRI GIO R7021	CENTRE FRONT BASE PROFI LE GREY R7021	PROFI L SOCLE AVANT CENTR. GRI S R7021	UNTERBAUPROFI L VORNE ZENTRAL GRAU R7021
32	76080005	BACI NELLA	BASI N	CUVE	SCHALE
33	25460005	GUI DA DESTRA COMPL. CASSETTO FONDI	GROUTS DRAWER ASS. RI GHT GUI DE	GLI SSI ERE DROI TE COMPL. TI ROI R MARC	RECHTE SCHI ENE KOMPLETTE KAFFEESATZLADE
33	25460006	GUI DA SI NI STRA COMPL. CASSETTO FONDI	GROUTS DRAWER ASS. LEFT GUI DE	GLI SSI ERE GAUCHE COMPL. TI ROI R MARC	LI NKE SCHI ENE KOMPLETTE KAFFEESATZLADE
34	25030	MAGNETE 40X14X4 NI CHELATO X FI ANCO	NI CKEL-PLATED MAGNET 40X14X4	MAGNETO NI CKELE 40X14X4	VERNI CKELTER MAGNET 40X14X4
35	77607021	SUPPORTO FI ANCO ANTERI ORE	FRONT SI DE BRACKET	SUPPORT COTE AVANT	HALTER FRONTBLENDE
36	77595007	DI STANZI ALE GUI DA BACI NELLA	TRAY GUI DE SPACER	ENTRETOI SE GLI SSI ERE BAC	DI STANZSTUECK BECKENFUEHRUNG
37	77742004	GUI DA DESTRA-SI NI STRA BACI NELLA	RI GHT-LEFT TRAY GUI DE	GLI SSI ERE DROI TE-GAUCHE BAC	RECHTE-LI NKE BECKENSCHI ENE
38	15316	PI EDI NO REGOLABI LE NERO CROM. 435-PS3	ADJUS. FOOT 435-PS3 BLACK-PI 3. 5	PI ED REGL. 435-PS3 BLACK-PI 3. 5	REGELBARFUSS 435-PS3 BLACK-PI 3. 5
39	21147003	PORTI NA COPRI DI SPLAY PLEXI GLASS	PLEXI GLASS SLI DI NG-WI NDOW FOR DI SPLAY	PORTE COUVRE DI SPLAY PLEXI GLASS	DI SPLAYLUKE PLEXI GLASS
40	28410010	CHI AVE UNI VERSALE CI FR. 530 X CI L. 30063	KEY CYLI NDER KYR FOR 30063	CLE CYLI NDRE KYR POUR 30063	DECKELSCHLJUESSEL KAFFEEMASCHI NE SARA



Pos	Cod.	Denominazione - IT -	Denomination - GB -	Denomination - FR -	Denomination - DE -
1	77488080	PROFI LO BASAMENTO SINISTRO GRIGIO R7021-	LEFT BASE PROFILE GREY R7021	PROFIL SOCLE GAUCHE GRIS R7021	UNTERBAUPROFIL LINKS GRAU R7021
2	73707060	FIANCO SINISTRO ROSSO R3005	RED LEFT SIDE R3005	COTE GAUCHE ROUGE R3005	LINKE SEITENBLENDE ROT R3005
3	77488060	PROFI LO BASAMENTO POST. GRIGIO R7021	REAR BASE PROFILE GREY R7021	PROFIL SOCLE ARRIERE GRIS R7021	UNTERBAUPROFIL HINTEN GRAU R7021
4	75549900	PANNELLO POSTERIORE INFER. ROSSO R3005	RED BOTTOM REAR PANEL R3005	PANNEAU POSTERIEUR INFER. ROUGE R3005	HINTERE UNTERE RUECKWAND ROT R3005
5	75549910	PANNELLO POSTERIORE SUPER. GRIGIO R7021	GREY TOP REAR PANEL R7021	PANNEAU POSTERIEUR SUPER. GRIS R7021	HINTERE OBERE RUECKWAND GRAU R7021
6	76149032	GRIGLIA SUPERIORE POSTERIORE 1GR	1GR REAR TOP GRID	GRILLE SUPERIEURE POSTERIEURE 1GR	OBERES HINTERES GITTER 1 EINHEIT
7	77229100	PROFILO INTERNO	INTERNAL PROFILE	PROFIL INTERIEUR	INNERES PROFIL
8	28326013	SERRANDA CAMPANA	HOPPER CLOSURE	VOLET CLOCHE	VERSCHLUSS FUER GLOCKE
9	15491003	SUPPORTO SUPERIORE SERRANDA IMBUTO LAVAG	TOP WASHING APERTURE CLOSING SUPPORT	SUPPORT SUPERIEUR VOLET ORIFICE LAVAGE	OBERER HALTER VERSCHLUSS WASCHTRICHTER
10	77614018	CERNIERA COPRI GRUPPO	HINGE UNIT COVER	GOND CACHE-GROUPE	SCHARNIER
11	77614019	STAFFA REGGICOPRI GRUPPO	GROUP COVER SUPPORT BRACKET	ETRIER CACHE-GROUPE	BUGEL
12	25602	PERNO D4 L43 AISIX CERNIERA FIANCO	PIN D4 L43 AISI FOR SIDE HINGE	PIVOT D4 L43 AISI POUR CHARNIERE COTE	ZAPFEN D4 L43 AISI X SCHARNIER SEITENWAN
13	72710017	COPRI GRUPPO 1GR	UNIT COVER 1GR	CACHE-GROUPE 1GR	ABDECKUNG DER EINHEITE 1GR
14	30063	CILINDRO D-16 L-16 OT/NI	CYLINDER D-16 L. 16 BRASS/NICKEL	CYLINDRE D. 16 L. 16 LAITON/NICKEL	ZYLINDER D-16 L-16 ART. 102
15	28410010	CHIAVE UNIVERSALE CIFR. 530 X CIL. 30063	KEY CYLINDER KYR FOR 30063	CLE CYLINDRE KYR POUR 30063	DECKELSCHLUESSEL KAFFEEMASCHINE
16	15259100	MANOPOLA ZIGRI NATA M4X6	KNOB M4X6	POIGNEE M4X6	HANDGRIFF M4X6
17	71752160	FRONTALE 1GR+GETTONIERA GRIGIO R7021+BRI	2GR FRONT+CAPPUCCINO GREY R7021	FACADE 2GR+CAPPUCCINO GRIS R7021	FRONTBLLENDE 2 EINHEITEN+CAPPUCCINO GRAU
18	15491021	PROLUNGA GETTONIERA	EXTENSION TOKEN ACCEPTOR	RALONGE JETONNIERE	VERLANGERUNG MUNZAUTOMAT
19	30100001	GETTONIERA ART. PM2B X GETT. CD	TOKEN ACCEPTOR PM2B	JETONNIERE PM2B	MUNZAUTOMAT PM2B
20	21147003	PORTINA COPRI DISPLAY PLEXI GLASS	PLEXI GLASS SLIDING-WINDOW FOR DISPLAY	PORTE COUVRE DISPLAY PLEXI GLASS	DISPLAYLUKE PLEXI GLASS
21	77614023	GUI DA FRONTONE	GUIDE FRONT	GLISSIERE FACADE	BECKENFRONTBLLENDE
22	77607004	STAFFA INFERIORE FIANCO	BOTTOM SIDE BRACKET	PLATINE INFERIEURE COTE	UNTERER BUEGEL SEITENBLLENDE
23	77607008	STAFFA SUPERIORE FIANCO	TOP SIDE BRACKET	ETRIER COTE SUP.	SEITENBUGEL OBEN
24	77607003	STAFFA SUPERIORE FIANCO	TOP SIDE BRACKET	PLATINE SUPERIEURE COTE	OBERER BUECKEL SEITENBLLENDE
25	73707050	FIANCO DESTRO ROSSO R3005	RED RIGHT SIDE R3005	COTE DROIT ROUGE R3005	RECHTE SEITENBLLENDE ROT R3005
26	77607006	STAFFA POSTERIORE FIANCO	REAR SIDE BRACKET	PLATINE ARRIERE COTE	HINTERER BUEGEL SEITENBLLENDE
27	77488120	PROFILO BASAMENTO DESTRO GETTONIERA R702	RIGHT BASE PROFILE GREY SELF-SERVICE	PROFIL SOCLE DROIT GRIS SELF-SERVICE	UNTERBAUPROFIL RECHTS GRAU SELF-SERVICE
28	21109	MANOMETRO QUADRO DOPPIA SCALA	SQUARE GAUGE DOUBLE L. SCALE MOD	MANOMETRE TABLEAU DOUBLE ECHELLE L.	MANOMETERTAFEL DOPPELSKALISAMOD A
29	77062032	COPRI CALDAIA GETTONIERA -CASS.	BOILER COVER-COFFEE GROUNDS BOX SELF-SERV	CACHE CHAUDIERE-BOITE MARC CAFE SELF-SER	KESSELABDECKUNG-BEHALTER KAFFEESATZ SELF
29	77062033	COPRI CALDAIA GETTONIERA +CASS.	BOILER COVER SELF-SERVICE	COUVRE CHAUDIERE SELF-SERVICE	KESSELABDECKUNG SELF-SERVICE
30	15316	PIEDINO REGOLABILE NERO CROM. 435-PS3	ADJUS. FOOT 435-PS3 BLACK-PI 3.5	PIED REGL. 435-PS3 BLACK-PI 3.5	REGELBARFUSS 435-PS3 BLACK-PI 3.5
31	23420	VITTE OTTONE M6X12 NICHIELATA	M6X12NICKEL-PLATED BRASS HEX. HEAD SCREW	VIS TH LAITON M6X12 NICKEL	SECHSKANTSCHRAUBE AUSMESSUNG M6X12
32	77614006	SCATOLA FONDI CAFFE'	COFFEE GROUNDS BOX	BOITE MARC CAFE	BEHALTER KAFFEESATZ
33	15278100	MANIGLIA CASSETTO FONDI	GROUNDS DRAWER HANDLE	POIGNEE TIROIR MARC CAFE	GRIF KAFFEESATZLADE
34	25030	MAGNETE 40X14X4 NICHIELATO X FIANCO	NICKEL-PLATED MAGNET 40X14X4	MAGNETO NICKEL 40X14X4	VERNICKELTER MAGNET 40X14X4
35	75549890	SCATOLA GETTONIERA R7021+BRI	BOX TOKEN ACCEPTOR GREY	BOITE JETONNIERE GRIS	BEHALTER MUNZAUTOMAT GRAU



Pos	Cod.	Denominazione - IT -	Denomination - GB -	Denomination - FR -	Denomination - DE -
36	77614027	SCATOLA CONTENITORE GETTONI	CONTAINER	RECIPIENT	BEHALTER
37	77488050	PROFILO BASAMENTO ANT. CENTR. GRIGIO R7021	CENTRE FRONT BASE PROFILE GREY R7021	PROFIL SOCLE AVANT CENTR. GRIS R7021	UNTERBAUPROFIL VORNE ZENTRAL GRAU R7021
38	76080005	BACI NELLA	BASIN	CUVE	SCHALE
39	76149037	GRIGLIA INFERIORE	LOWER GRILL	GRILLE INFERIEURE	UNTERGITTER
40	25460005	GUI DA DESTRA COMPL. CASSETTO FONDI	GROUTS DRAWER ASS. RIGHT GUI DE	GLISSIERE DROITE COMPL. TROIR MARC	RECHTE SCHIENE KOMPLETTE KAFFEESATZLADE
40	25460006	GUI DA SINISTRA COMPL. CASSETTO FONDI	GROUTS DRAWER ASS. LEFT GUI DE	GLISSIERE GAUCHE COMPL. TROIR MARC	LINKE SCHIENE KOMPLETTE KAFFEESATZLADE
41	77607021	SUPPORTO FIANCO ANTERIORE	FRONT SIDE BRACKET	SUPPORT COTE AVANT	HALTER FRONTBLLENDE
42	77595007	DI STANZIALE GUI DA BACI NELLA	TRAY GUI DE SPACER	ENTRETOISE GLISSIERE BAC	DI STANZSTUECK BECKENFUEHRUNG
43	77742004	GUI DA DESTRA-SINISTRA BACI NELLA	RIGHT-LEFT TRAY GUI DE	GLISSIERE DROITE-GAUCHE BAC	RECHTE-LINKE BECKENSCHIENE

APSR

INDICE - INDEX - SOMMAIRE - VERZEICHNIS

APSR-01

**PULSANTIERE STANDARD - STANDARD PUSH BUTTONS
CLAVIERS STANDARDS - STANDARD BEDIENBLENDEN**

APSR-02

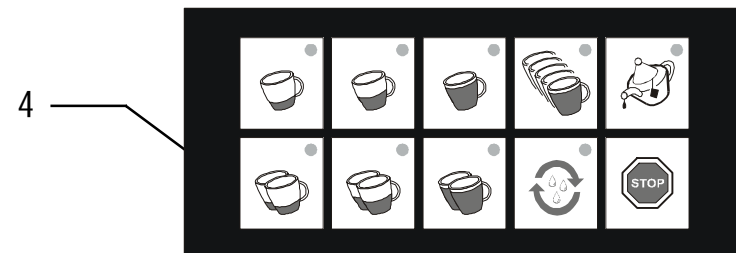
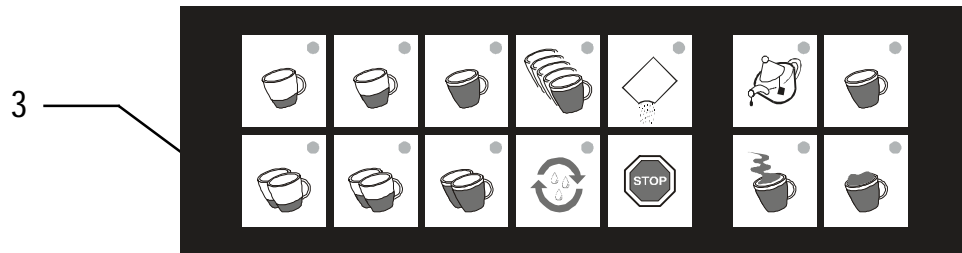
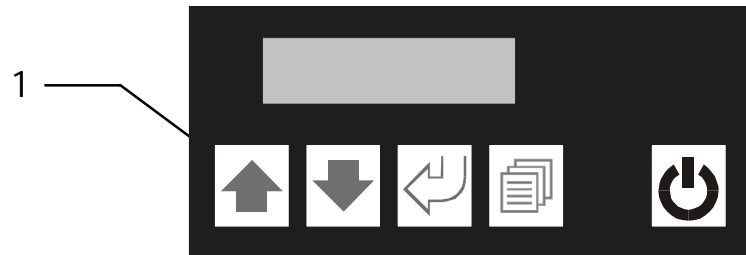
**PULSANTIERE U.S.A. - U.S.A. PUSH BUTTONS
CLAVIERS U.S.A. - U.S.A. BEDIENBLENDEN**

APSR-03

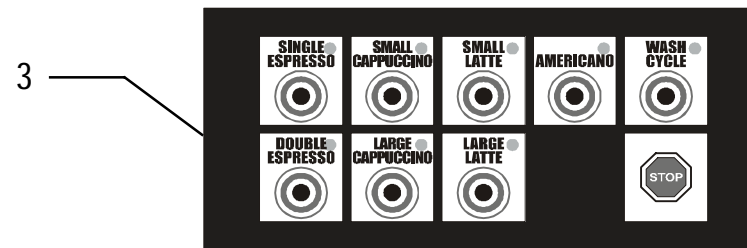
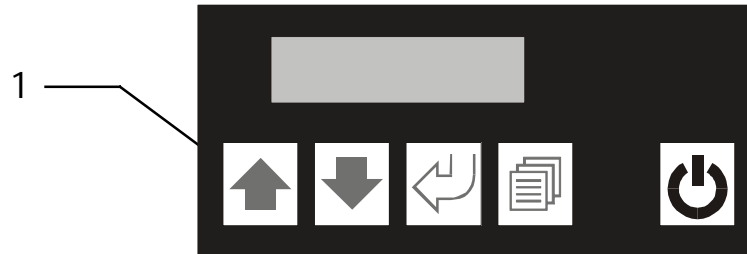
**PULSANTIERE SELF SERVICE - SELF SERVICE PUSH BUTTONS
CLAVIERS SELF SERVICE - SELF SERVICE BEDIENBLENDEN**

*Pulsantiere
Push buttons
Claviers
Bedienblenden*

SARA



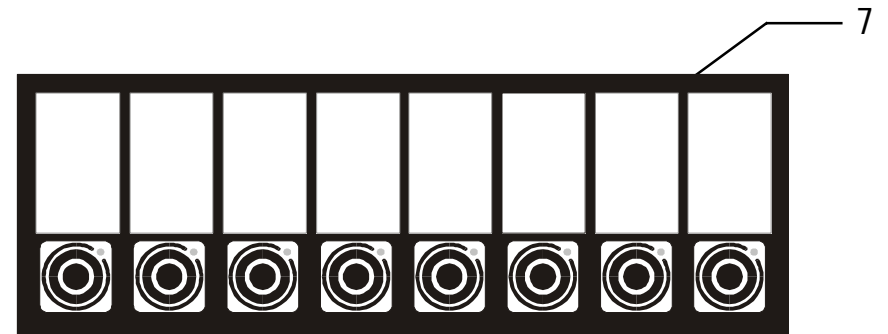
Pos	Cod.	Denominazione - IT -	Denomination - GB -	Denomination - FR -	Denomination - DE -
1	20127001	MEMBRANA DI SPLAY	DI SPLAY MEMBRANE	MEMBRANE AFFI CHEUR	MEMBRAN DI SPLAY
2	20127002	MEMBRANA PULSANTI ERA 1GR	1GR PUSH BUTTON PANEL MEMBRANE	MEMBRANE CLAVI ER 1GR	MEMBRAN BEDI ENBLENDE 1 EI NHEI T
3	20127003	MEMBRANA PULSANTI ERA 1GR+CAPP	1GR+CAPP. PUSH BUTTON PANEL MEMBRANE	MEMBRANE CLAVI ER 1GR+CAPP.	MEMBRAN BEDI ENBLENDE 1 EI NHEI T +CAPP.
4	20127004	MEMBRANA PULSANTI ERA 2GR	2GR PUSH BUTTON PANEL MEMBRANE	MEMBRANE CLAVI ER 2GR	MEMBRAN BEDI ENBLENDE 2 EI NHEI TEN



SARA**PULSANTIERE U.S.A. - U.S.A. PUSH BUTTONS
CLAVIERS U.S.A. - U.S.A. BEDIENBLENDEN****APSR-02**rev. 01
12/2002

Pos	Cod.	Denominazione - IT -	Denomination - GB -	Denomination - FR -	Denomination - DE -
1	20127001	MEMBRANA DI SPLAY	DI SPLAY MEMBRANE	MEMBRANE AFFI CHEUR	MEMBRAN DI SPLAY
2	20127014	MEMBRANA PULS. 1GR+DEC *USA*	MEBR. TOUCH PAD 1GR+DEC *USA*	MEMBRANE CLAVI ER 1GR+DEC *USA*	MEMBRAN BEDI ENLENDE 1GR+DEC
3	20127009	MEMBRANA PULS. 2GR *USA*	MEMBR. TOUCH PAD 2GR. *USA*	MEMBRANE CLAVI ER 2GR *USA*	MEMBRAN BEDI ENLENDE 2GR *USA*

SARA



Pos	Cod.	Denominazione - IT -	Denomination - GB -	Denomination - FR -	Denomination - DE -
1	29099000	ETI CHETTA PULS. SELF-SERVICE ITALIANO	TOUCH PAD LABEL SELF-SERVICE ITALIAN	ETI QUETTE CLAVIER SELF-SERVICE ITALIEN	BEDIENBLENDE ETI KETTE SELF-SERVICE ITALI
2	29099001	ETI CHETTA PULS. SELF-SERVICE INGLESE	TOUCH PAD LABEL SELF-SERVICE ENGLISH	ETI QUETTE CLAVIER SELF-SERVICE ANGLAIS	BEDIENBLENDE ETI KETTE SELF-SERVICE ENGLI
3	29099002	ETI CHETTA PULS. SELF-SERVICE FRANCESE	TOUCH PAD LABEL SELF-SERVICE FRENCH	ETI QUETTE CLAVIER SELF-SERVICE FRANCAISE	BEDIENBLENDE ETI KETTE SELF-SERVICE FRANZ
4	29099003	ETI CHETTA PULS. SELF-SERVICE TEDESCO	TOUCH PAD LABEL SELF-SERVICE GERMAN	ETI QUETTE CLAVIER SELF-SERVICE ALLEMAND	BEDIENBLENDE ETI KETTE SELF-SERVICE DEUTS
5	29099004	ETI CHETTA PULS. SELF-SERVICE 3 TASTI FR.	3T TOUCH PAD LABEL SELF-SERVICE	ETI QUETTE CLAVIER SELF-SERVICE 3T	3T BEDIENBLENDE ETI KETTE SELF-SERVICE
6	29099005	ETI CHETTA PULS. SELF-SERVICE 4 DOSI FR.	4T TOUCH PAD LABEL SELF-SERVICE	ETI QUETTE CLAVIER SELF-SERVICE 4T	4T BEDIENBLENDE ETI KETTE SELF-SERVICE
7	20127019	MEMBRANA PULSANTIERA SELF-SERVICE	MEMBR. TOUCH PAD SELF-SERVICE	MEMBRANE CLAVIER SELF-SERVICE	MEMBRAN BEDIENBLENDE SELF-SERVICE

ARSR

INDICE - INDEX - SOMMAIRE - VERZEICHNIS

ARSR-01

**RUBINETTI ACQUA E VAPORE - WATER AND STEAM TAPS
ROBINETS EAU/VAPEUR - WASSER DAMPFHAHN**

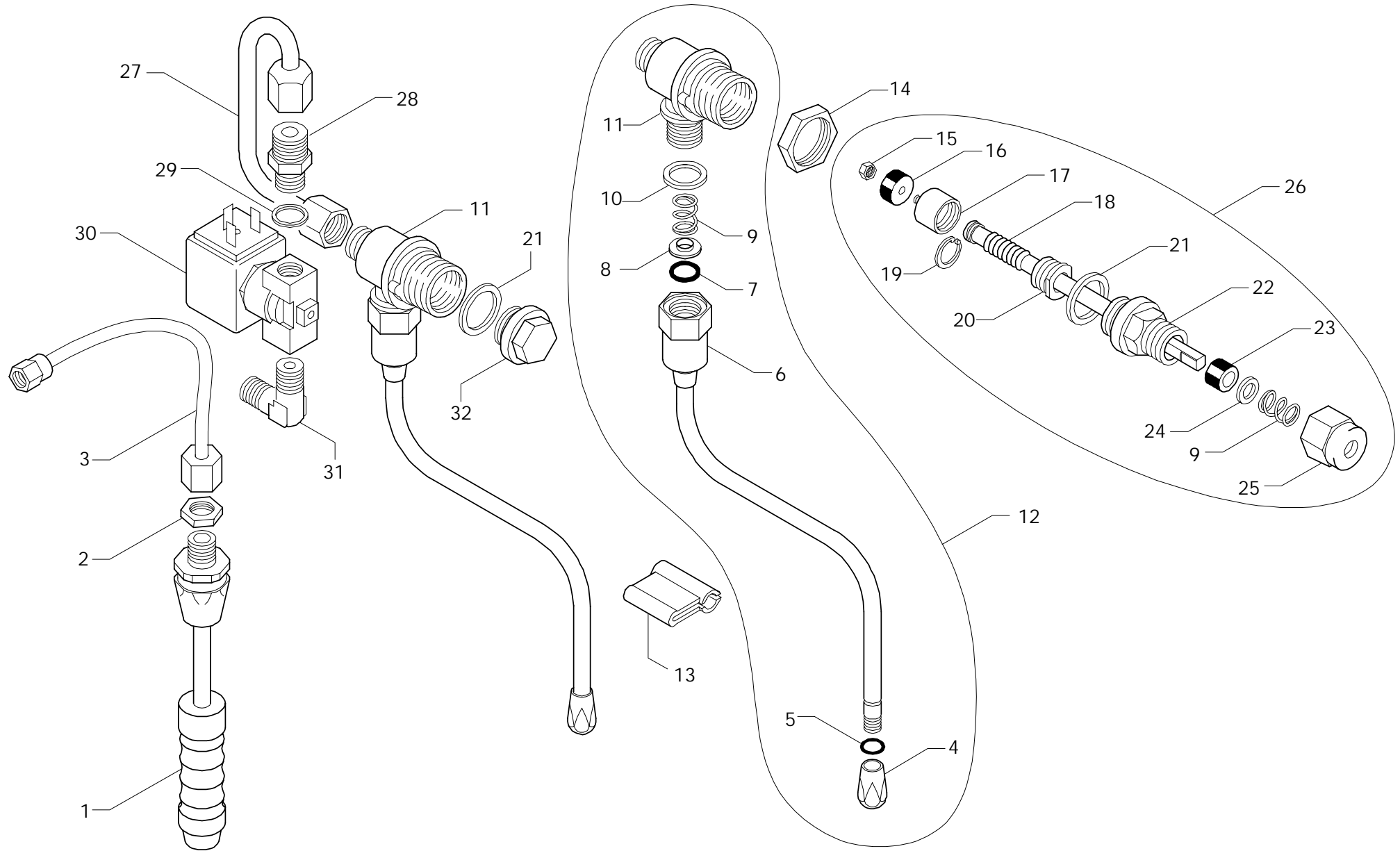
*Rubinetti
acqua e vapore*

*Water and
steam taps*

*Robinets eau et
vapeur*

Wasser-dampfhahn

SARA



Pos	Cod.	Denominazione - IT -	Denomination - GB -	Denomination - FR -	Denomination - DE -
1	25763A	SPRUZZATORE ACQUA TELESCOPI CO K9180-R3	K9180-R3 TELESCOPI C WATER SPRAY	GI GLEUR EAU TELESCOPI QUE K9180-R3	TELESKOP-WASSERSTRAHL K9180-R3
2	25396	DADO 1/4 SP. 4	NUT 1/4 - 4 TH CK	ECROU 1/4 SP. 4	MUTTER 1/4
3	15451007	TUB. D-6 L. 320 TEFLON 1/8F 1/4M	D-6 320 L TEFLON PIPE AB/7	TUYAU D-6 L. 320 TEFLON AB/7	SCHLAUCH D-6 L. 320 TEFLON AB/7
4	25762A	SPRUZZATORE VAPORE I NOX AI SI 303	STEEL STEAM SPRAYER AI SI 303	VAPORI SATEUR I NOX AI SI 303	STAHLDAMPFER AI SI 303
5	12300013	GUARNI ZI ONE OR SI LI CONE ROSSO 6X1 70SH	O RI NG 6X1 70SH	JOI NT OR 6X1 70SH	O RI NG 6X1 70SH
6	25391	DADO CANNA VAP/H2O X MOLLA CROMATO	NUT PI PE WATER/STEAM FOR SPRI NG	ECROU TUYAU VAPEUR/EAU POUR RESSORT	WASSER/DAMPF ROHRMUTTER FUR FEDER
7	12300	GUARNI ZI ONE OR 113 NBR/70	O RI NG GASKET 113 NBR/70	JOI NT OR 113 NBR/70	OR-DI CHTUNG 113 NBR/70
8	25657	RONDELLA MOLLA VAPORE	STEAM SPRI NG WASHER	RONDELLE RESSORT VAPEUR	SCHEI BE FÜR DAMPF FEDER
9	10452	MOLLA RUBI NETTO H2O/VAPORE N4	WATER/STEAM TAP SPRI NG N4	RESSORT DE ROBI NET EAU-VAPEUR N4	WASSER/DAMPF HAHNFEDER N4
10	12010	GUARNI ZI ONE TEFLON X H2O/VAP 21X17X2 CNN	W/S PI PE GASKET TEFLON 21X17X2	JOI NT TUYAU TEFLON EAU/VAP TEFLON 21X17X	TEFLON-DI CHTUNG X H2O/VAP 21X17X2 CNN
11	4553003	CORPO RUBI NETTO NI	TAP BODY NI ETL	CORPS DE ROBI NET NI ETL	HAHNKORPER NI ETL
11	53003	CORPO RUBI NETTO	TAP BODY	CORPS DE ROBI NET	HAHNKORPER
12	56117100	TUBO VAP. I NOX L. 245 +CORPO	STEEL STEAM PI PE L. 245	TUYAU VAPEUR I NOX L. 245	STAHL DAMPFROHRSATZ L. 245
13	15295	CLIPS ANTI SCOTTATURA NERA	BLACK ANTI SCORCHI NG CLIP	CLIP ANTI -BRULURES NOI RE	VERBRENNUNGSSCHUTZKLI PS
14	25384	DADO OTTONE M26X1. 5	BRASS NUT 26X1. 5	ECROU LAI TON 26X1. 5	MESSI NG-MUTTER 26X1. 5
15	23050	DADO OTTONE M3 UNI 5587	BRASS NUT M3 UNI 5587	ECROU LAI TON M3 UNI 5587	MESSI NG-MUTTER M3 UNI 5587
16	12203	GUARNI ZI ONE GOMMA 15X4X4	RUBBER GASKET 15X4X4	JOI NT EN CAOUTCHOU C 15X4X4	GUMMI DI CHTUNG 15X4X4
17	25616	PI STONCI NO RUBI NETTO	TAP JUMPER	PI STON ROBI NET	HAHNKOLBEN
18	25311	ASTA RUBI NETTO L109 CROMATA	CHROMED TAP ROD 109L	TI GE ROBI NET L109 CHROME E	VERCHROMTE HAHNSTANGE L109
19	10001	ANELLO ARRESTO D6 I NOX 316 DI N 6799	STEEL CI RCLIP 316 DI N 6799	CI RCLIP I NOX 316 DI N 6799	STAHLHALTENRI NG 316 DI N 6799
20	25461	GHI ERA RUBI NETTO	TAP RI NG NUT	EMBOUT ROBI NET	HAHNZWI NGE
21	12158	GUARNI ZI ONE CU RUB. 26X20. 5X2	26X20. 5X2 COPPER SEAL	JOI NT CUI VRE 3/8 22X17X1. 5	KUPFERDI CHTUNG 3/8 22X17X1. 5
22	25678001	RACCORDO RUBI NETTO	TAP FI TTI NG	RACCORD ROBI NET	HAHNANSCHLUSSTUCK
23	12204	GUARNI ZI ONE GOMMA RUBI NETTO H2O/VAP 12. 5	W/S TAP RUBBER GASKET 12. 5X7. 5X9	JOI NT CAOUTCHOU C ROB. EAU/VAP 12. 5X7. 5X9	HAHNDI CHTUNG W/D 12. 5X7. 5X9
24	25655	RONDELLA RUBI NETTO	TAP WASHER	RONDELLE ROBI NET	HAHNSCHEI BE
25	25385	DADO PREMI STOPPA RUBI NETTO	TAP STUFFI NG NUT	ECROU DE PRESSE-ETOUPE ROBI NET	STOPFBUCHSE MUTTER - HAHN
26	561021	ASSI EME RUBI NETTO H2O/VAPORE	H2O/STEAM TAP ASSEMBLY	ENSEMBLE ROBI NET H2O/VAPEUR	SATZ HAHN H2O/DAMPF
27	52003867	TUBO D-8 L. 195 MK 19	TUBE D-8 L. 195 MK 19	TUYAU D-8 L. 195 MK 19	ROHR D-8 L. 195 MK 19
28	25716	RACCORDO 3/8X1/4	3/8X1/4 FI TTI NG	RACCORD 3/8X1/4	ANSCHLUSS 3/8X1/4
28	4525716	RACCORDO 3/8X1/4 NI	3/8X1/4 FI TTI NG NI	RACCORD 3/8X1/4 NI	ANSCHLUSS 3/8X1/4 NI
29	12153	GUARNI ZI ONE CU 1/4 17X13. 3X1. 5	1/4 17X13. 3X1. 5 COPPER SEAL	JOI NT CUI VRE 1/4 17X13. 3X1. 5	KUPFERDI CHTUNG 1/4 17X13. 3X1. 5
30	18161990	ELETTROVALV. VAPORE 230V VE14ODRA. 5 ZB09	VE14ODRA. 5 ZB09 1/4 230V STEAM SOLENOI D	ELECTROVANNE VAPEUR VE14DRA. 5 ZB09 1/4 2	ELEKTROVENTIL DAMPF VE14ODRA. 5 ZB09 1/4
31	23203	RACCORDO OTT. GOM. D6. 2 1/4X1/4 CON	ELBOW BRASS CONNECTOR D6. 2 1/4X1/4	RACCORD COUDE LAI TON D6. 2 1/4X1/4	MESSI NG-ANSCHLUSS D6. 2 1/4X1/4
31	4523203	RACCORDO OTT. GOM. D6. 2 1/4X1/4 CON NI	ELBOW BRASS CONNECTOR NI ETL	RACCORD COUDE LAI TON NI ETL	MESSI NG FI TTI NG NI ETL
32	25785	TAPPO MASCHI O 3/8	MALE CAP 3/8	BOUCHON MALE 3/8	STOPFEN 3/8
32	4525785	TAPPO MASCHI O 3/8 NI	MALE CAP 3/8 NI	BOUCHON MALE 3/8 NI	STOPFEN 3/8 NI